

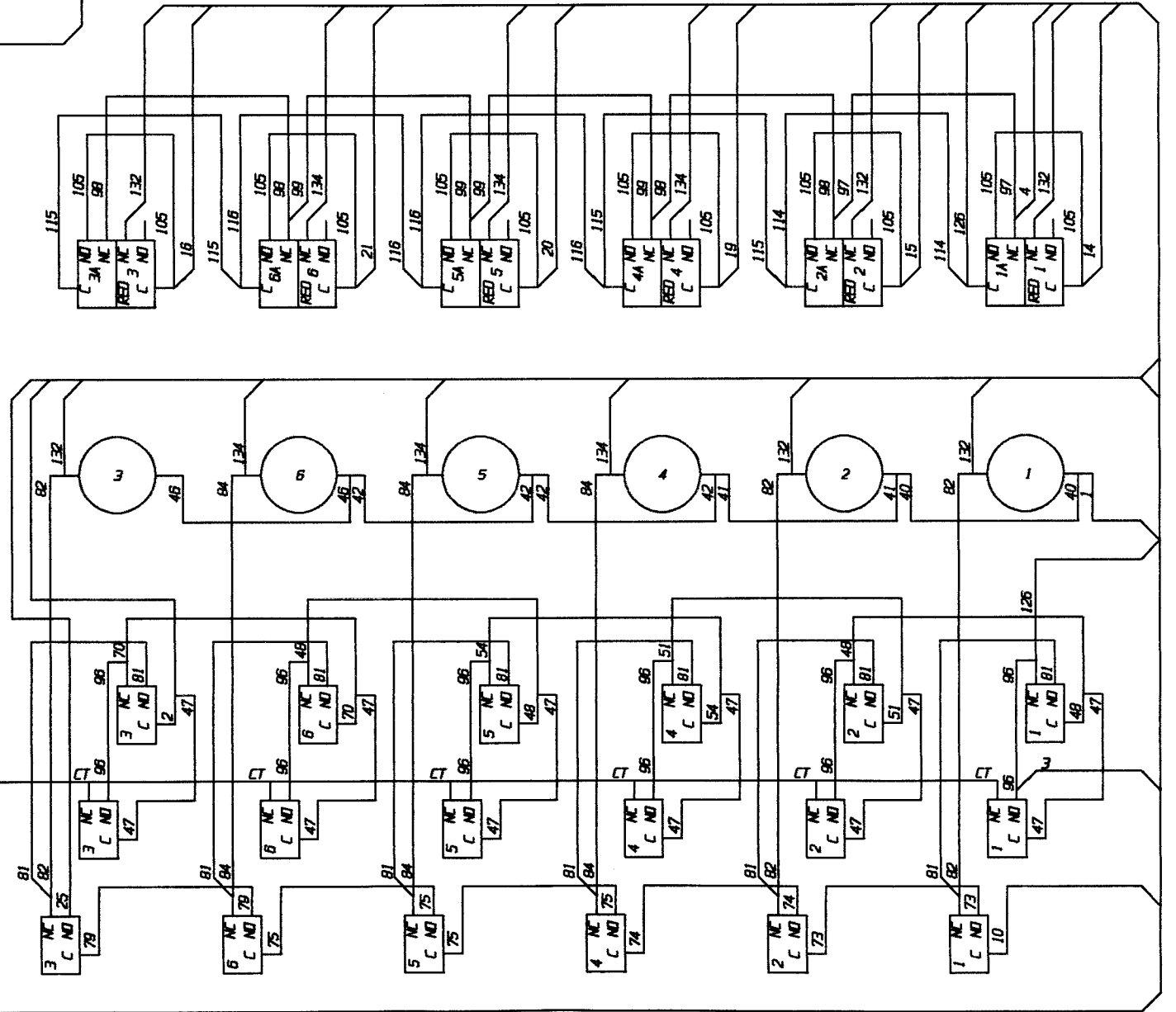
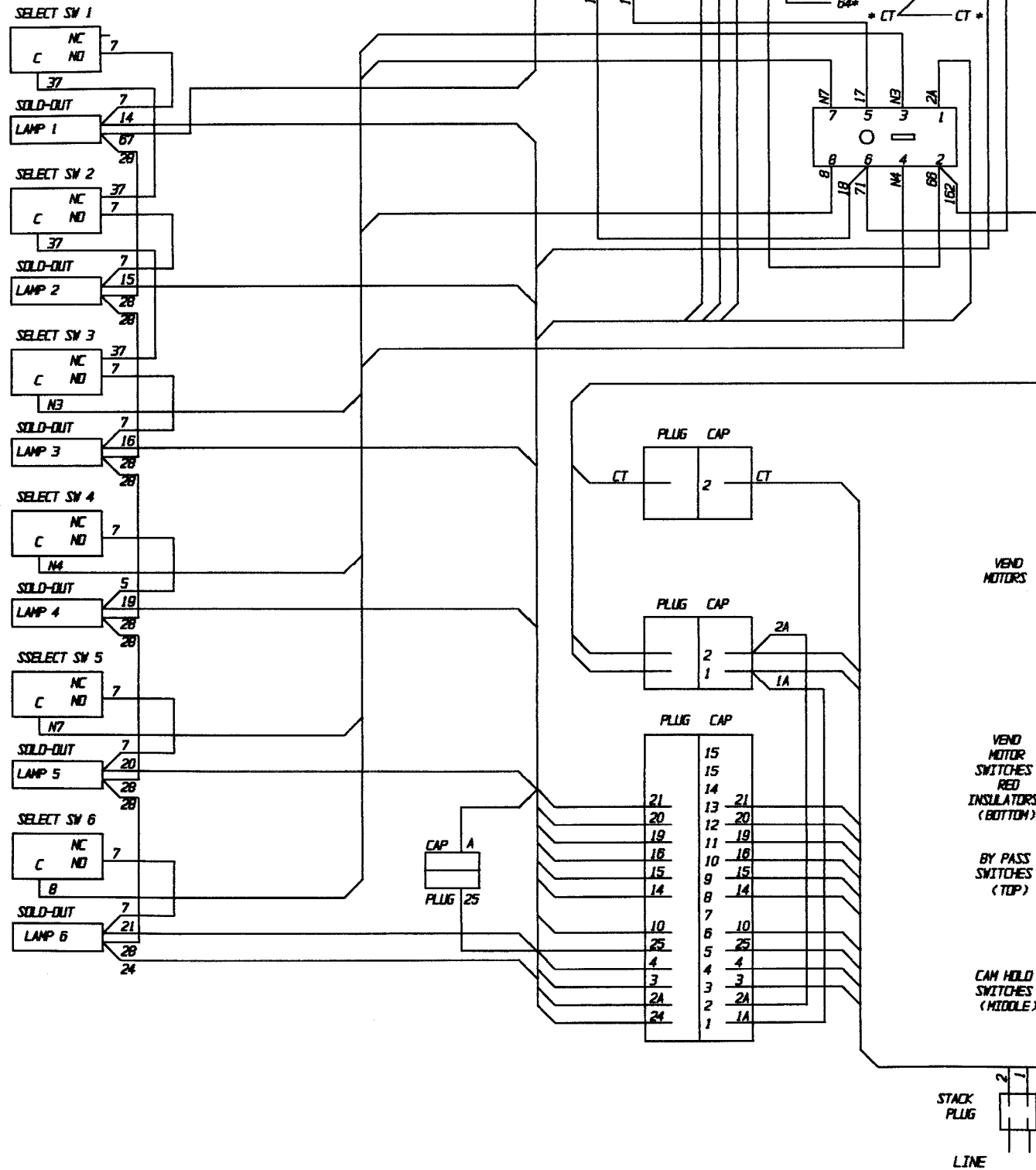
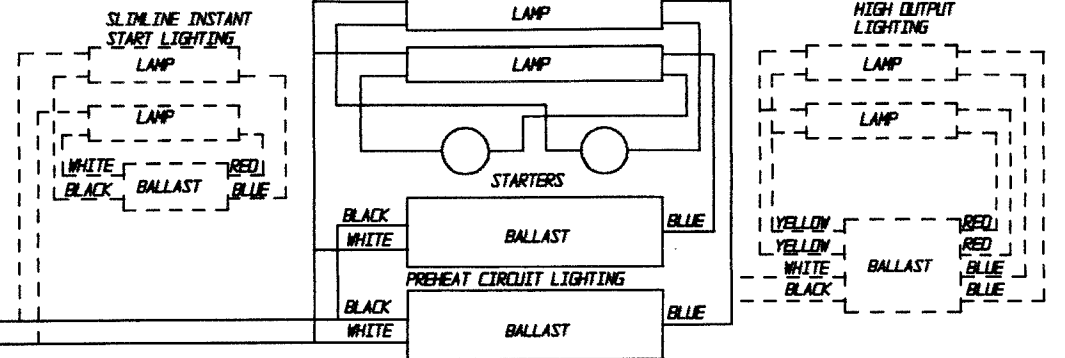
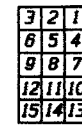
PATENT NOTICE  
 THIS DEVICE IS MANUFACTURED  
 UNDER ONE OR MORE OF THE  
 FOLLOWING U.S. PATENTS:

3,115,274	3,483,355	4,036,400
3,144,985	3,484,588	4,036,621
3,187,941	3,680,937	4,044,877
3,270,917	3,702,164	4,264,000
3,367,536	4,019,650	4,298,138
	4,509,658	4,705,176

TERMINALS MARKED WITH \*  
 ARE TO BE WRAPPED WITH  
 TAPE.

ON ALL CAPS & PLUGS PIN 1  
 IS LOCATED ADJACENT TO  
 CORNER HAVING RIB.

EXAMPLES:



PRINTED IN U.S.A.  
 DRAWING NO. 903830100.11

Dixie-Narco  
 4-PRICE 6 COLUMN DUAL ADAPTABLE  
 SERIES 90 TRIPLE SWITCH COUNTER