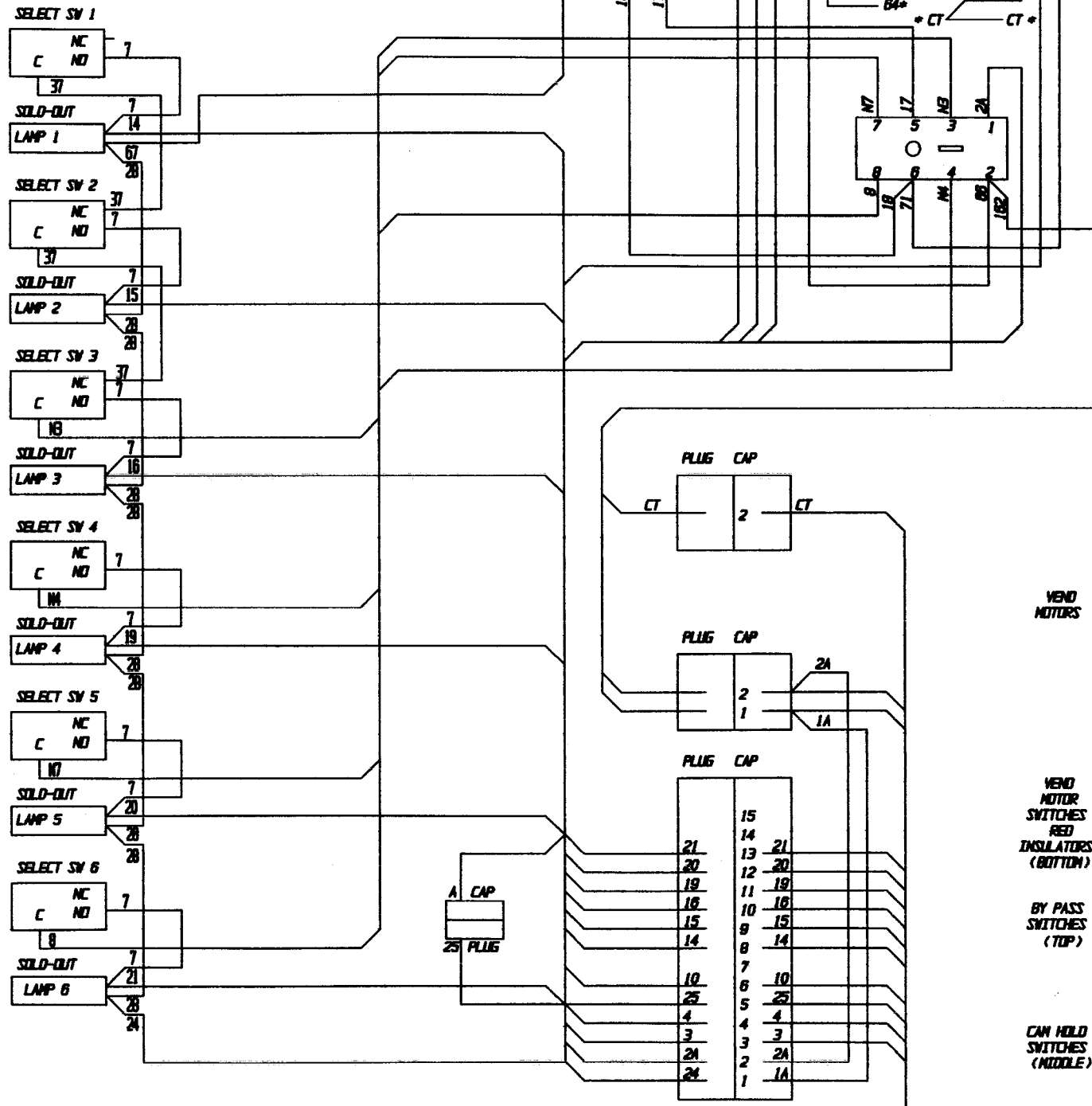


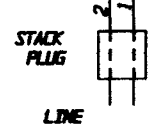
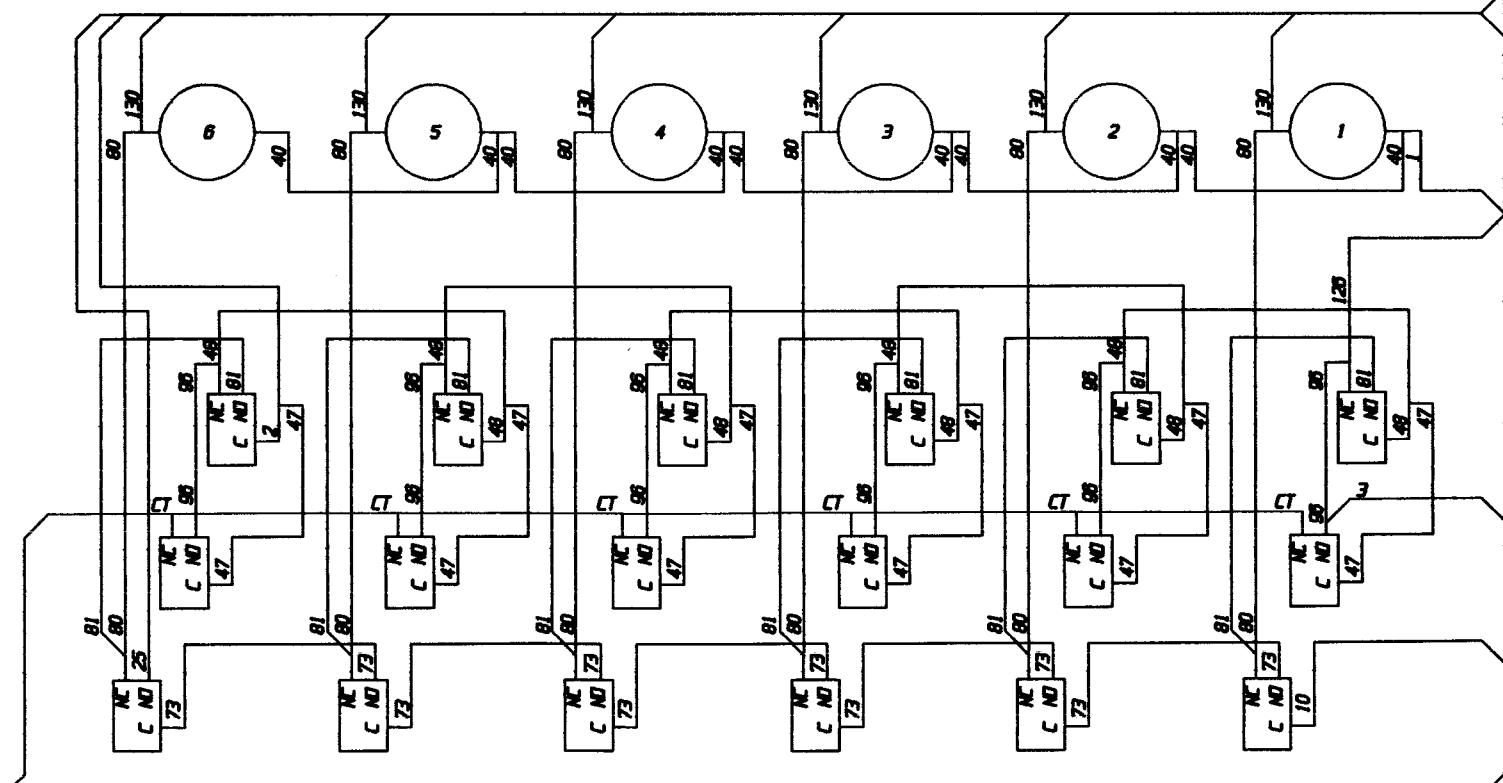
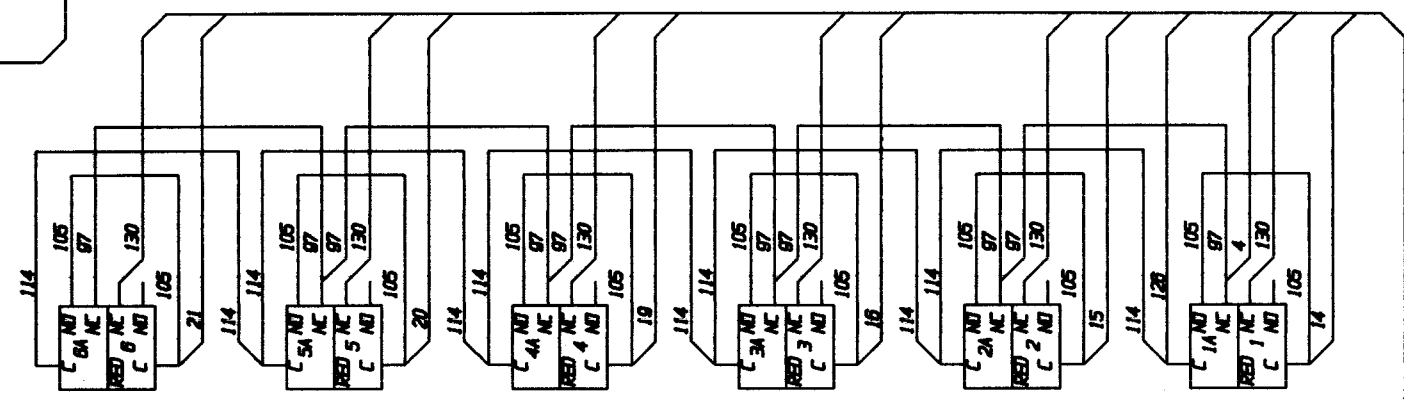
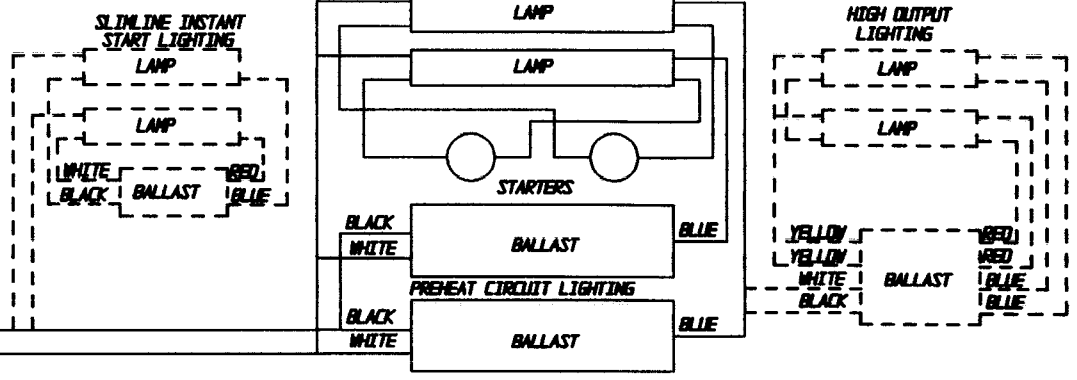
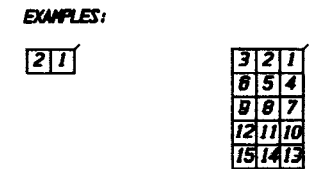
PATENT NOTICE
THIS DEVICE IS MANUFACTURED
UNDER ONE OR MORE OF THE
FOLLOWING U.S. PATENTS:

3,115,274	3,463,355	4,036,400
3,144,985	3,484,589	4,036,621
3,187,941	3,680,937	4,044,877
3,270,917	3,702,184	4,284,000
3,367,536	4,019,850	4,288,138
	4,509,658	4,705,178



TERMINALS MARKED WITH *
ARE TO BE WRAPPED WITH
TAPE.

ON ALL CAPS & PLUGS PIN 1
IS LOCATED ADJACENT TO
CORNER HAVING RIB.



PRINTED IN U.S.A.
DRAWING NO. 90303610

Dixie-Narco
4-PRICE 6 COLUMN ADAPTABLE
SERIES 90 TRIPLE SWITCH COUNTER