

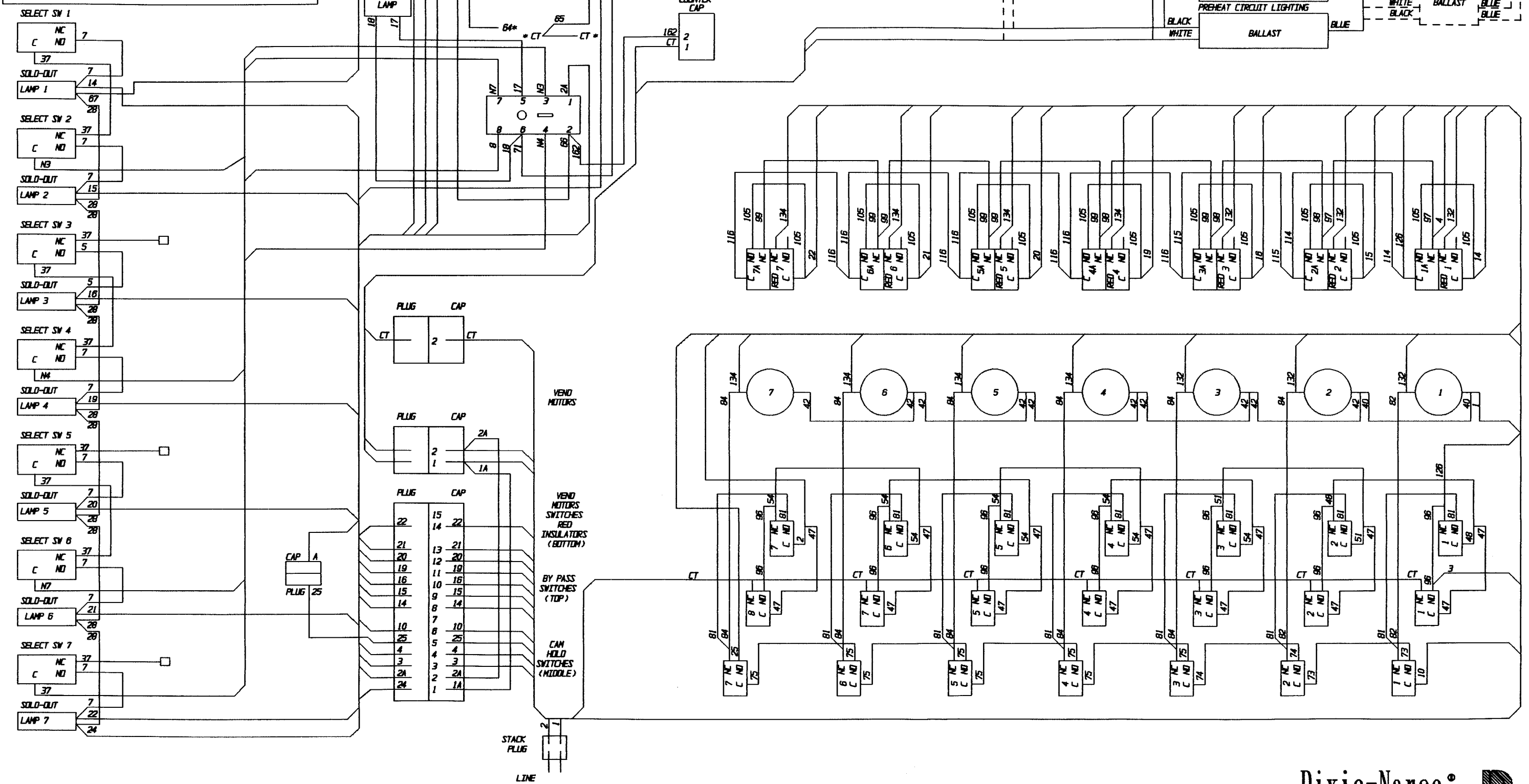
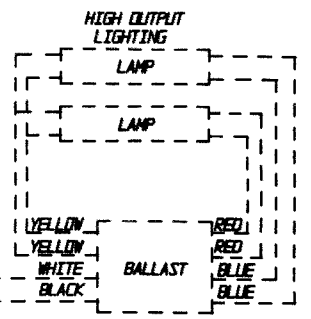
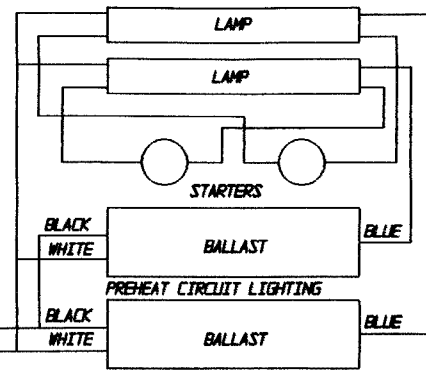
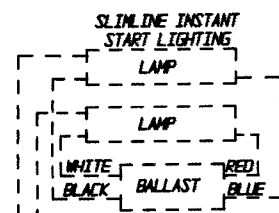
PATENT NOTICE
 THIS DEVICE IS MANUFACTURED
 UNDER ONE OR MORE OF THE
 FOLLOWING U.S. PATENTS:

3,115,274	3,463,355	4,036,400
3,144,965	3,464,588	4,036,621
3,187,941	3,680,937	4,044,877
3,270,917	3,702,164	4,264,000
3,367,536	4,019,650	4,288,138
	4,509,658	4,705,176

TERMINALS MARKED WITH *
 ARE TO BE WRAPPED WITH
 TAPE.

ON ALL CAPS & PLUGS PIN 1
 IS LOCATED ADJACENT TO
 CORNER HAVING RIB.

EXAMPLES:



7 803,851, 560.01

Dixie-Narco, Inc.
 4-PRICE 7 COLUMN
 276E COKE