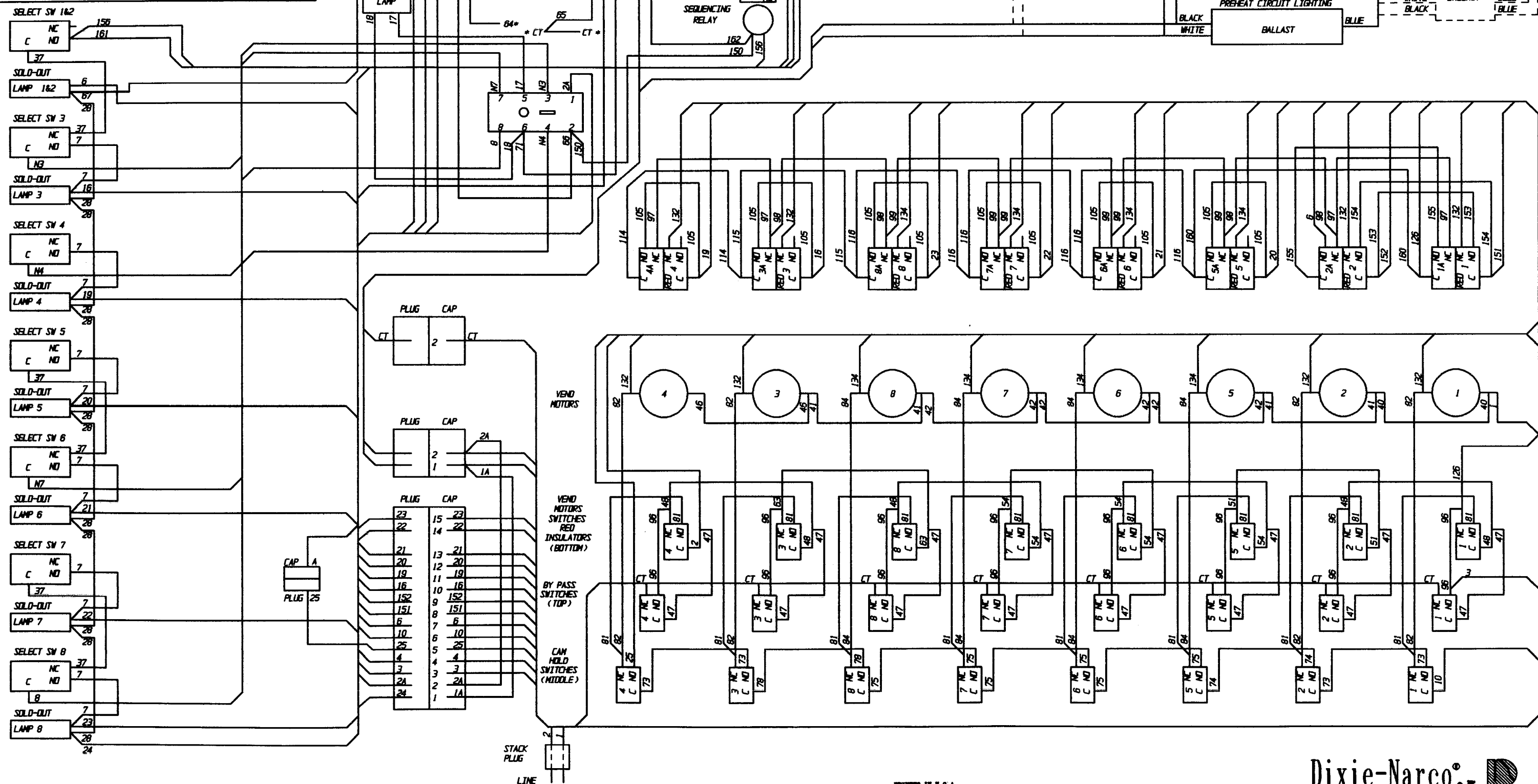
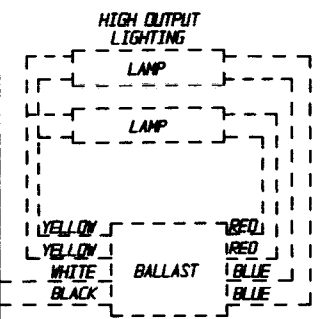
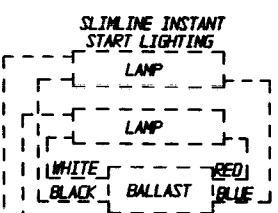


PATENT NOTICE
 THIS DEVICE IS MANUFACTURED
 UNDER ONE OR MORE OF THE
 FOLLOWING U.S. PATENTS:

3,115,274	3,463,355	4,036,400
3,144,965	3,464,589	4,036,621
3,187,941	3,680,937	4,044,877
3,270,917	3,702,164	4,264,000
3,367,536	4,019,650	4,299,139
	4,509,658	4,705,176

ON ALL CAPS & PLUGS PIN 1
 IS LOCATED ADJACENT TO
 CORNER HAVING RIB.
 EXAMPLES:
 [21]

TERMINALS MARKED WITH *
 ARE TO BE WRAPPED WITH
 TAPE.



PRINTED IN U.S.A.
 DRAWING NO. 903630000.11

Dixie-Narco
 4-PRICE 8 COLUMN SEQUENCING 1&2
 SERIES 90 TRIPLE SWITCH COUNTER