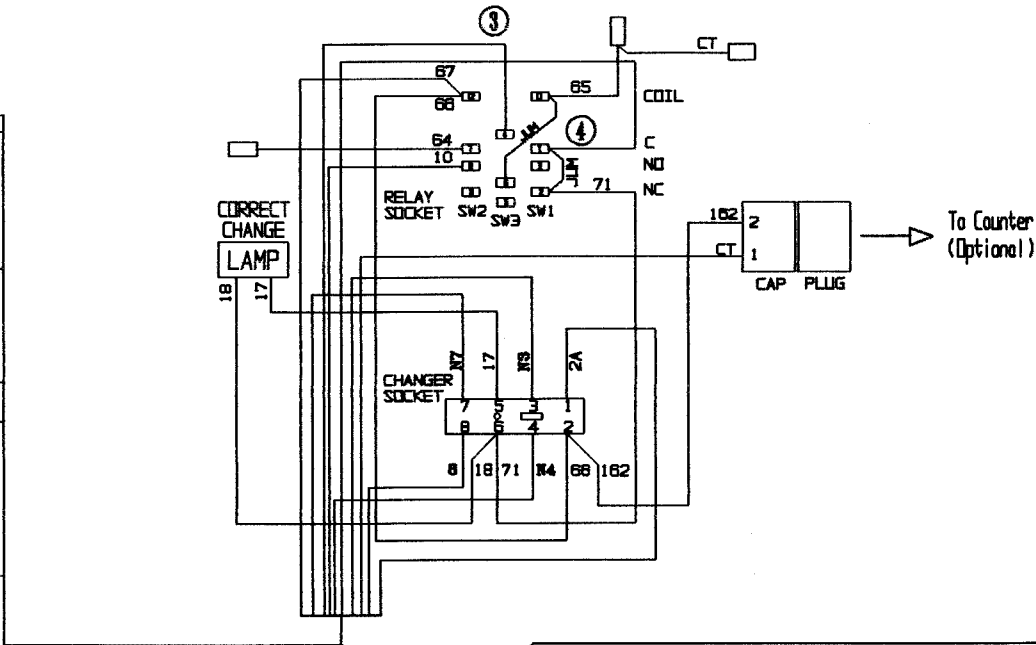
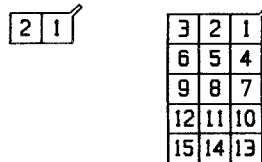


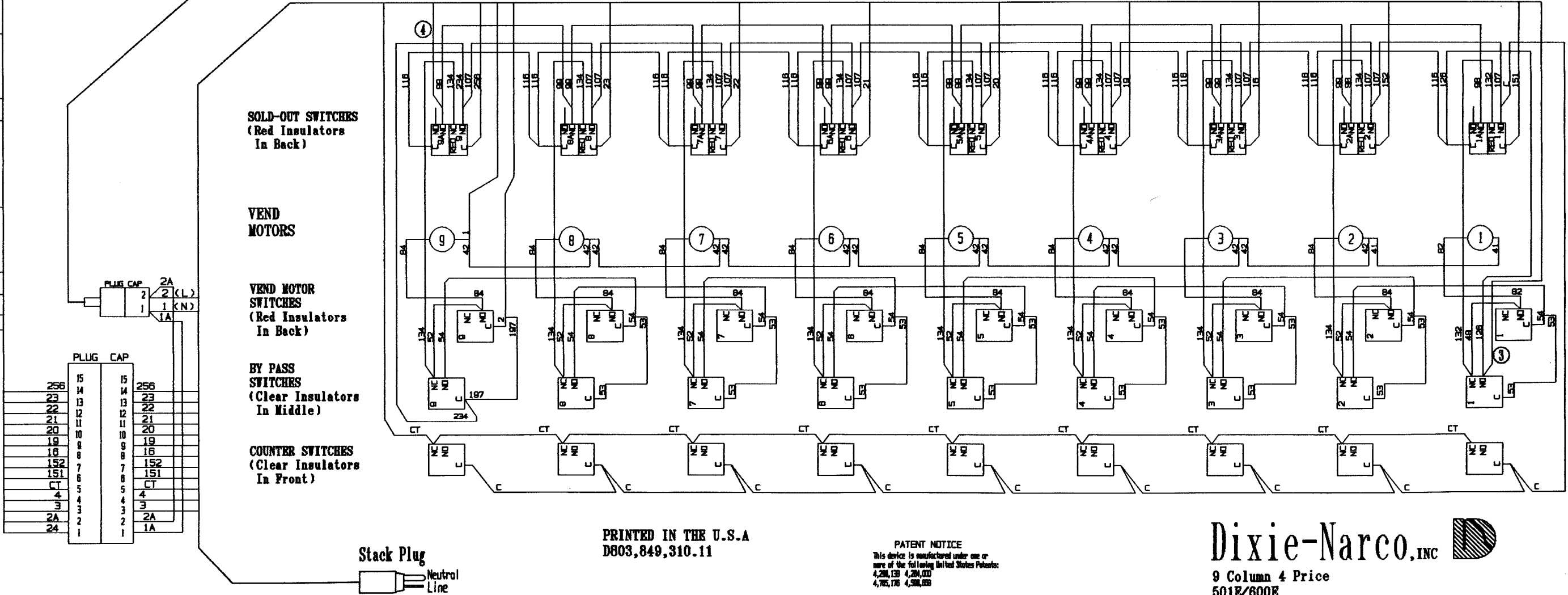
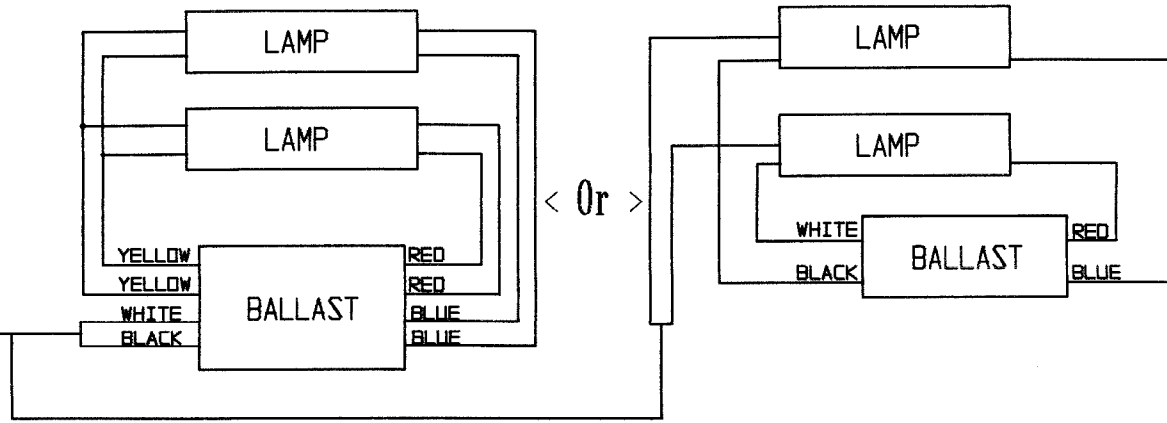
ON ALL CAPS & PLUGS
PIN 1 IS LOCATED ADJACENT
TO CORNER HAVING RIB.
EXAMPLES:



To Counter
(Optional)

HIGH OUTPUT LIGHTING

SLIMLINE LIGHTING



PRINTED IN THE U.S.A
D803,849,310-11

PATENT NOTICE
This device is manufactured under one or
more of the following United States Patents:
4,286,139 4,284,007
4,765,176 4,598,689

Dixie-Narco, INC
9 Column 4 Price
501E/600E