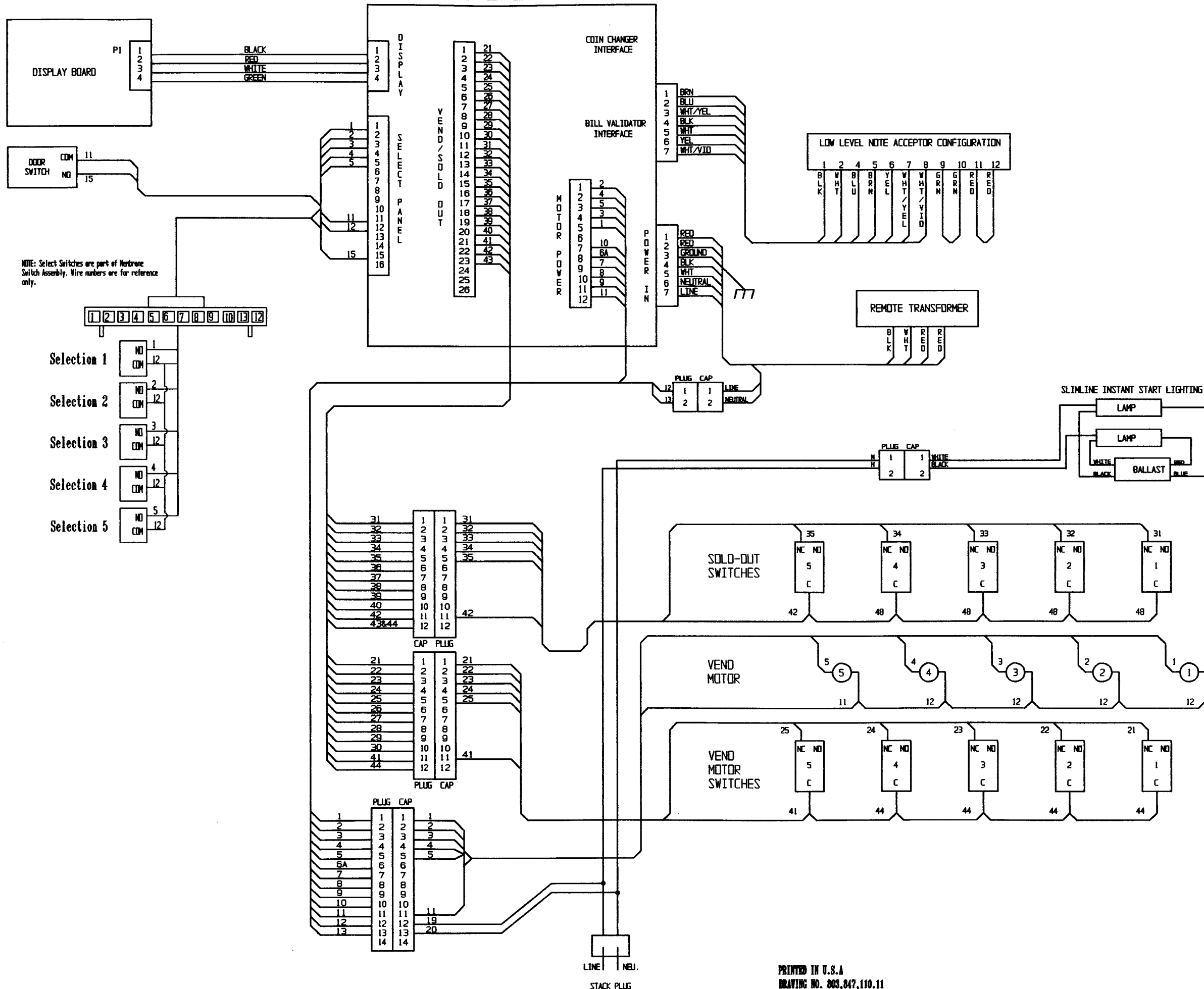


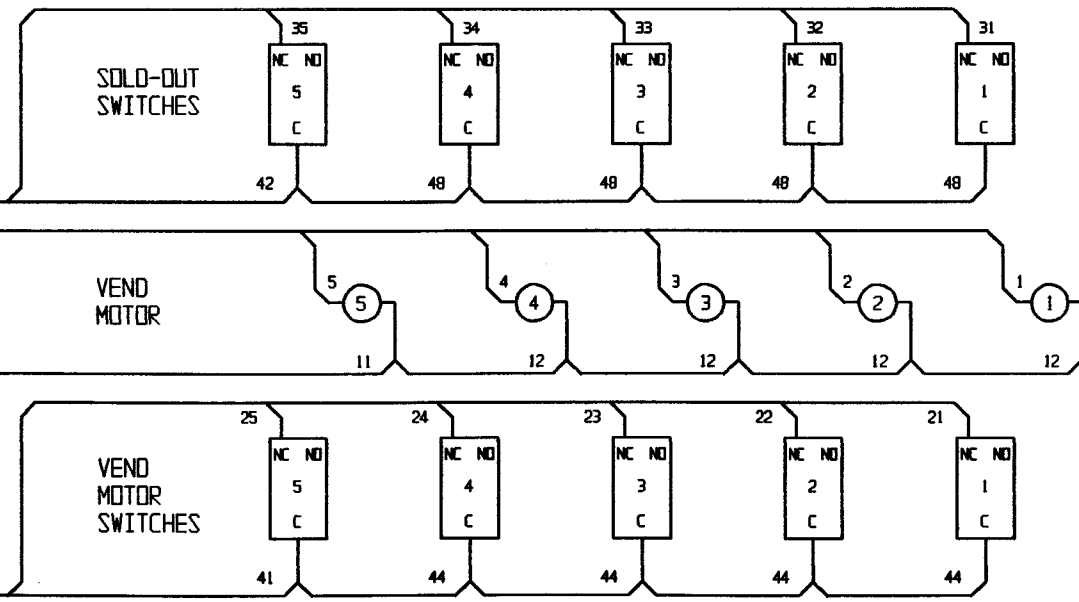
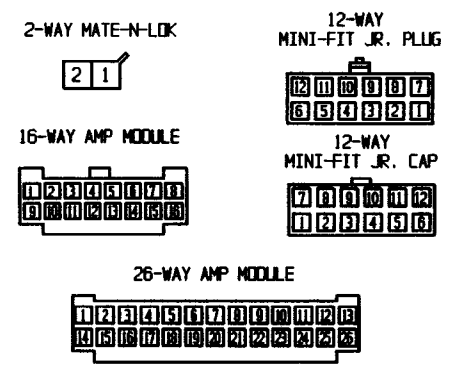
SII D - CONTROL BOX ASSEMBLY



PATENT NOTICE
 THIS DEVICE IS MANUFACTURED UNDER ONE OR MORE OF THE FOLLOWING U.S. PATENTS:

3,115,274	3,463,355	4,036,400
3,144,965	3,464,589	4,036,621
3,187,941	3,680,937	4,044,877
3,270,917	4,019,650	4,298,138
3,367,536	4,509,658	4,705,176
	3,702,184	4,264,000

NOTE: THE FOLLOWING ARE EXAMPLES OF WIRE LOCATIONS FROM THE WIRE INSURTION SIDE:



PRINTED IN U.S.A
 DRAWING NO. 803,047,110.11

Dixie-Narco, Inc.
 SII D - GENERIC
 (5 SELECT) 180/300