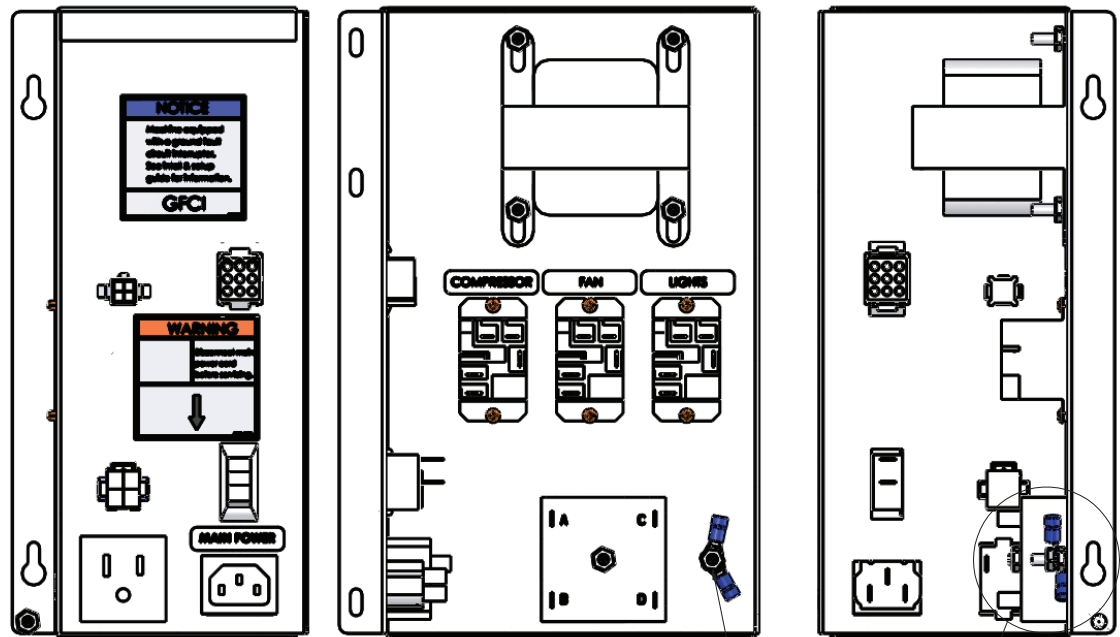
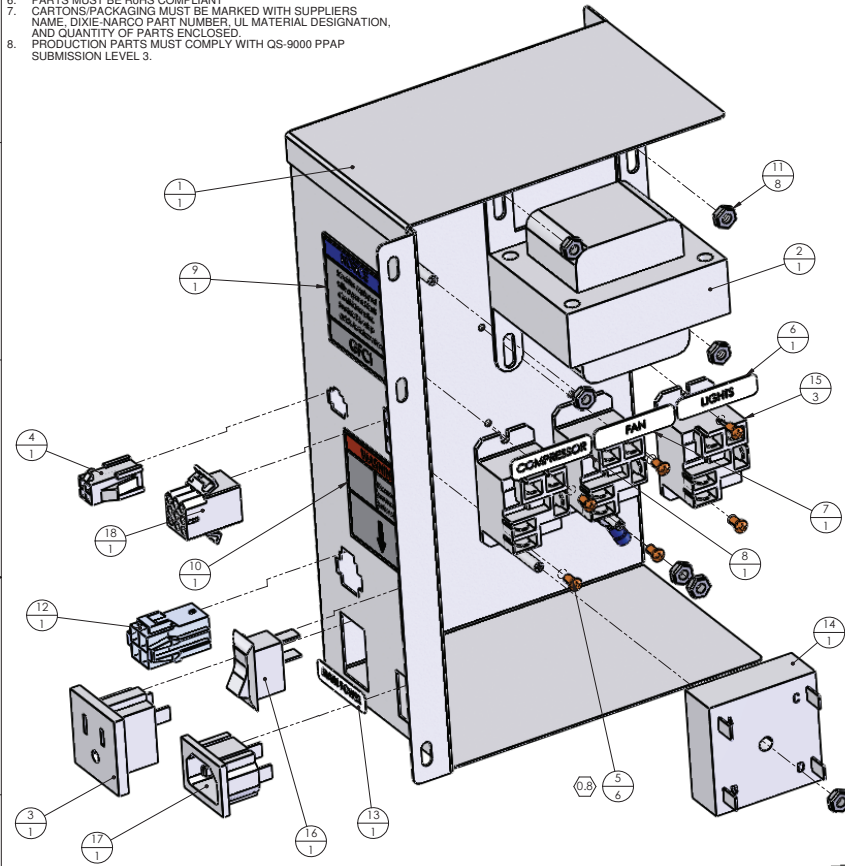
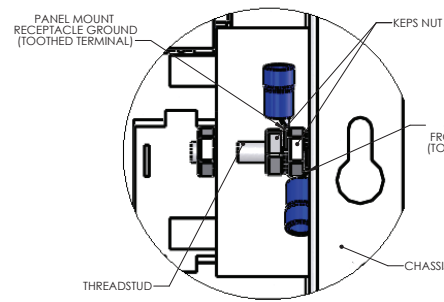


- NOTES:
1. ASSEMBLY GROUNDS MUST BE AS SHOWN ON PRINT.
 2. ASSEMBLY GROUNDS MUST PASS 25 AMP GROUND BOND TEST
 3. ASSEMBLY MUST PASS 1750 VDC HI-POT TEST
 4. ASSEMBLY OUTPUTS MUST BE 100% FUNCTIONAL TESTED
 5. ALL MATERIALS MUST BE UL RECOGNIZED & CSA/C-UL CERTIFIED/RECOGNIZED.
 6. PARTS MUST BE RoHS COMPLIANT
 7. CARTONS/PACKAGING MUST BE MARKED WITH SUPPLIERS NAME, DIXIE-NARCO PART NUMBER, UL MATERIAL DESIGNATION, AND QUANTITY OF PARTS ENCLOSED.
 8. PRODUCTION PARTS MUST COMPLY WITH QS-9000 P1PAP SUBMISSION LEVEL 3.

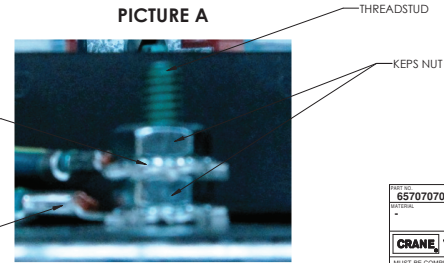
REV.	DESCRIPTION OF CHANGE	ECD NO.	DATE	APPROVED BY
0.7	RELEASE DRAWING	6513	9/30/2009	
0.8	REPLACE #8 (80035421) SCREWS WITH #8 (80020248) SCREWS. BOM CORRECTION.	7009	11/10/2010	



ITEM NO.	PART NUMBER	DESCRIPTION	QTY.
1	65707060	ASSY STUD AC BOX BV4	1
2	80497514	TRANSFORMER CLASS 2 LIMITED CCBV2	1
3	80497515	OUTLET PANEL MOUNT	1
4	80497840	HARNESSE AC BOX RELAY BV4	1
5	80497842	NOTICE GFCI EQUIPPED	1
6	80385028	LABEL AC BOX POWER DIST BV2	6
7	80385029	LABEL LIGHT RELAY	1
8	80385029	LABEL FAN RELAY	1
9	80385029	LABEL COMPRESSOR RELAY	1
10	80387592	LABEL NOTICE GFCI EQUIPPED	1
11	80280154	TR-32 KEPS NUT	1
12	80497895	HARNESSE COMP PWR AC BOX BV4	6
13	80385085	LABEL MAIN POWER	1
14	80497929	CHOKER CAP & MOV 120V	1
15	80497929	RELAY FAN COMPRESSOR & LIGHT	1
16	80497515	SWITCH ROCKRTH INRUSH GFV SP	3
17	80497515	PLUG & POWER INLET GFV	1
18	80497822	HARNESSE AC BOX PWR DIST B	1
19	80497822	GROUND WIRE 4 GREEN/YELLOW (NOT SHOWN)	1
20	80497521	JUMPER 14 AWG 2IN (NOT SHOWN)	1
21	80497524	GROUND WIRE AC COMPRESSOR OUTLET GFV (NOT SHOWN)	1
22	80497524	GROUND WIRE AC COMPRESSOR INLET GFV (NOT SHOWN)	1
23	80497521	JUMPER PWR INLET GROUND GFV (NOT SHOWN)	1



DETAIL B
SCALE 2 : 1



PICTURE A

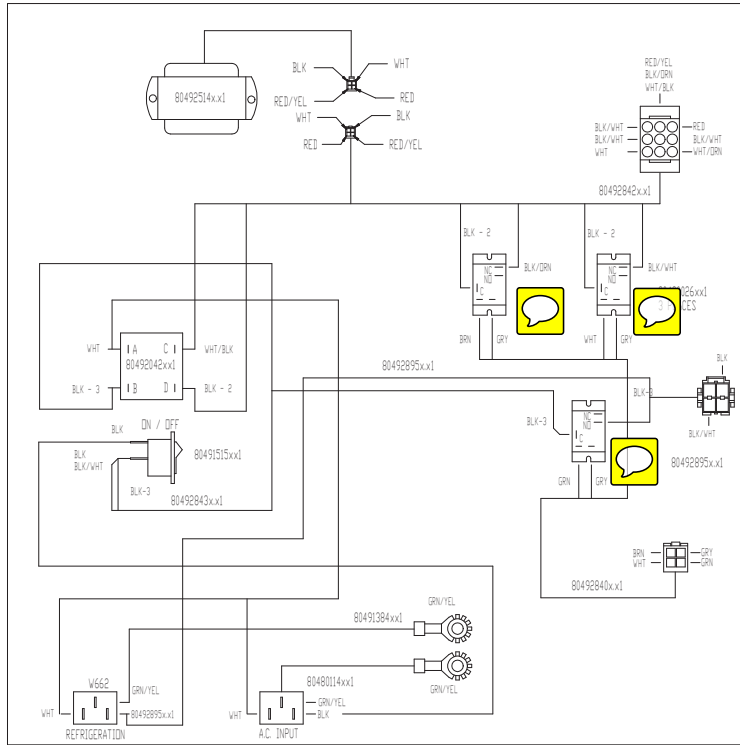
REV.	DESCRIPTION OF CHANGE	ECD NO.	DATE	APPROVED BY
0.7	RELEASE DRAWING	6513	9/30/2009	
0.8	REPLACE #8 (80035421) SCREWS WITH #8 (80020248) SCREWS. BOM CORRECTION.	7009	11/10/2010	

REV.	DESCRIPTION OF CHANGE	ECD NO.	DATE	APPROVED BY
0.7	RELEASE DRAWING	6513	9/30/2009	
0.8	REPLACE #8 (80035421) SCREWS WITH #8 (80020248) SCREWS. BOM CORRECTION.	7009	11/10/2010	

PART NO. 65707070 PART NAME ASSY, AC DIST BOX DOM BV4

CRANE | VENDING SOLUTIONS

MUST BE COMPLIANT WITH EUROPEAN UNION DIRECTIVE 2006/95/EC (LVD) AND 2006/42/EC (Machinery Directive). THIS DOCUMENT CONTAINS INFORMATION WHICH IS PROPRIETARY TO CRANE MECHANIZING SYSTEMS. NO PRODUCTION OR PUBLICATION OF THIS DOCUMENT IN WHOLE OR IN PART SHALL BE MADE WITHOUT THE WRITTEN APPROVAL OF CRANE MECHANIZING SYSTEMS.



Bev Max 4 AC Box Pinout Requirements
Domestic 120 VAC
REV 1 9/14/09
 Refer to individual component prints for pin locations

POWER DISTRIBUTION CONNECTOR
P/N 80492840

P1 to P2: 24 VAC
P3 to P7: 120VAC
P4: No Connection
P5 to P8: 120VAC When light relay not energized
P6 to P9: 120VAC When fan relay not energized
Pins 7,8,9: Connected to Neutral

RELAY CONNECTOR
P/N 80420026

P1: Compressor Relay coil
P2: Fan relay coil
P3: Coil 24VDC common
P4: Light relay coil

COLD CONTROL CONNECTOR
P/N8049289

P1: Continuity to REFRIGERATION "LINE" terminal
P2: No Connection
P3: 120VAC when compressor relay energized
P4: No Connection

PLUG, POWER INLET
P/N 80491362

P1: LINE
P2: GROUND
P3: NEUTRAL

REFRIGRATION RECEPTACLE, PANEL MOUNT
P/N W662

P1: LINE from COLD CONTROL CONNECTOR
P2: GROUND
P3: NEUTRAL

PART NO.	PART NAME	DRG SIZE	DATE
DRAWING	TITLE	SCALE	5/15/2008
CRANE VENDING SOLUTIONS		<small>TOLERANCES UNLESS OTHERWISE SPECIFIED</small> <small>FRACTIONS SHALL BE IN 16ths UNLESS OTHERWISE SPECIFIED</small>	<small>DESIGNED BY</small> <small>CHECKED BY</small> <small>APPROVED BY</small>
REV. 0.8	NO. OF SHEETS	<small>MUST BE COMPLIANT WITH EUROPEAN UNION DIRECTIVE 2002/95/EC AND SUBSEQUENT AMENDMENTS (RoHS)</small> <small>THIS DOCUMENT CONTAINS INFORMATION WHICH IS PROPRIETARY TO CRANE MERCHANTISING SYSTEMS. NO PRODUCTION OR PUBLICATION OF THIS DOCUMENT IN WHOLE OR IN PART SHALL BE MADE WITHOUT THE WRITTEN APPROVAL OF CRANE MERCHANTISING SYSTEMS.</small>	