
**KIT PART NUMBER 6734087 and 6734089
INSTRUCTIONS FOR INSTALLING AN OVERFLOW DRAIN
IN COFFEE MODELS 673 & 677**

CHECK THE PARTS RECEIVED IN THIS KIT WITH THE PARTS LIST IN THESE INSTRUCTIONS. IF ANY PARTS ARE MISSING CONTACT THE CRANE MERCHANDISING SYSTEMS' PARTS DEPARTMENT AT 1-800-621-7278.

Read these instructions carefully before installing the kit.
Keep these instructions for part numbers and for future reference.

THIS KIT CONTAINS THE FOLLOWING:

PART NUMBER	DESCRIPTION	QTY
6734090	RETAINER - VENT HOSE	1
6734081	COVER - BREWER	1
6734084	VENT ASSEMBLY - REAR BOWL (OPTIONAL)	1
6734085	VENT ASSEMBLY - REAR BOWL - SINGLE FRESH BREW (OPTIONAL)	1
1451097	SCREW - #8-32X.31 HEX HD.TF - BLACK	3
4254012	CLAMP - 1.375	1

WARNING: Electrical Shock Hazard - Turn machine off before installing this kit. Failure to do so could result in electrical shock.

1. Read these instructions carefully before installing this kit.
2. Turn the machine OFF with the main switch. Failure to do so could result in an electrical shock.
3. Remove the coffee & decaf canisters, the (2) front mixing bowls, and the rear vent.
4. Disconnect the grinder from the canister and remove the coffee chute.
5. Remove the 2 black screws that hold the vent retainer. DO NOT DISCARD THESE SCREWS.
6. Install the retainer-vent hose (6734090) using the (2) screws from Step 4.
7. Install the vent assembly-rear bowl (6734084) as shown in Figure 1 for Dual Fresh Brew Grinders, or (6734085) as shown in Figure 2 for Single Fresh Brew Grinders.
8. Route the drain hose through the wire form to the liquid bucket.
9. Attach the "P" clamp (4254012) as shown with (1) screw provided (1451097).
10. Route the vent hose thru the "P" clamp and connect the vent hose as shown.
11. Attach the brewer cover with (2) screws provided (1451097).
12. Replace the (2) mixing bowls and re-attach elbows, replace the canisters, coffee chute, and grinder.
13. Turn the machine on with the main switch.

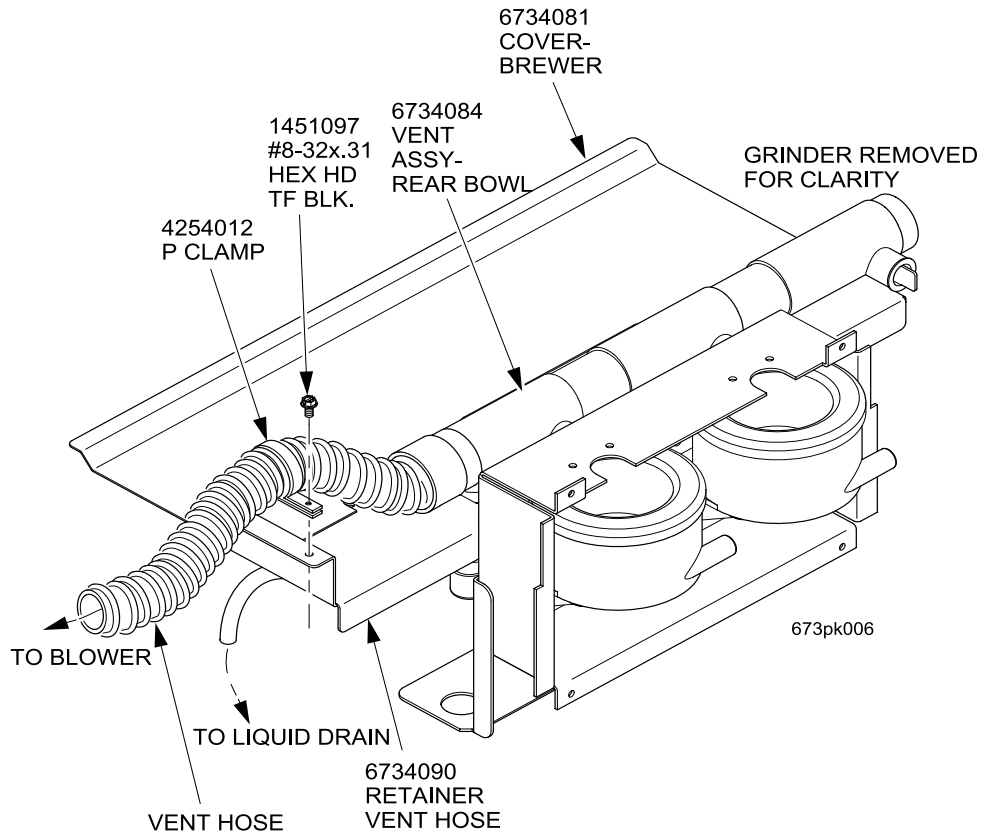


Figure 1: Dual Fresh Brew

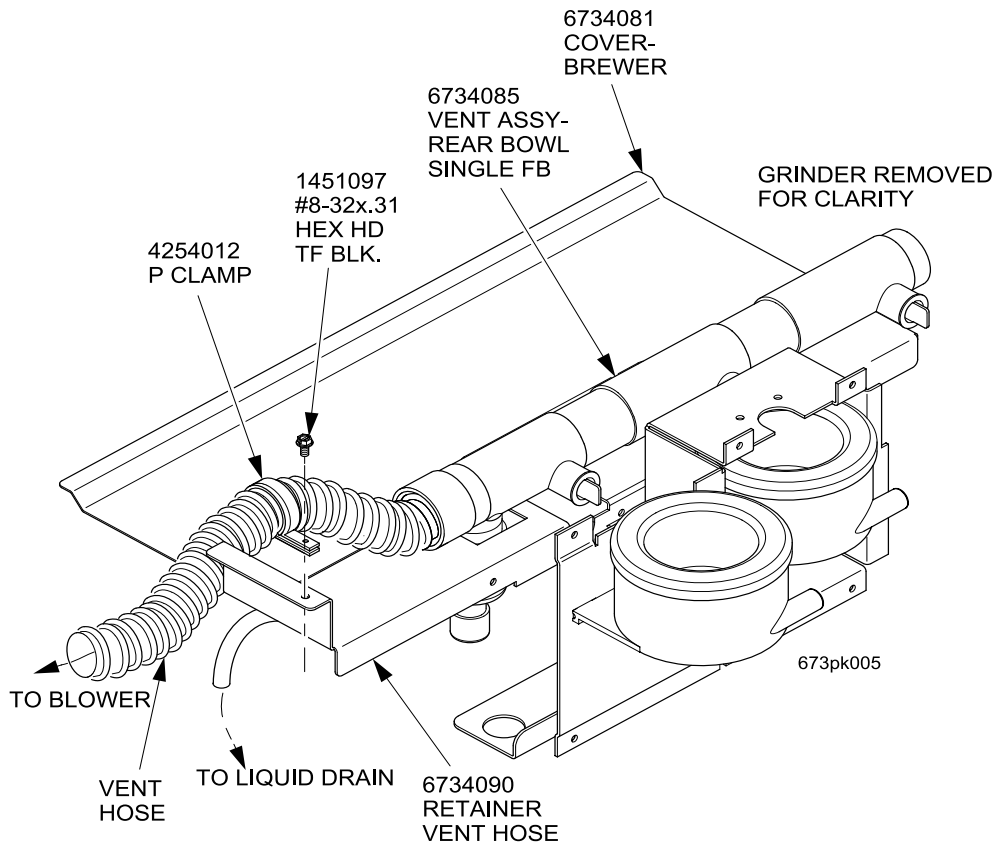


Figure 2: Single Fresh Brew