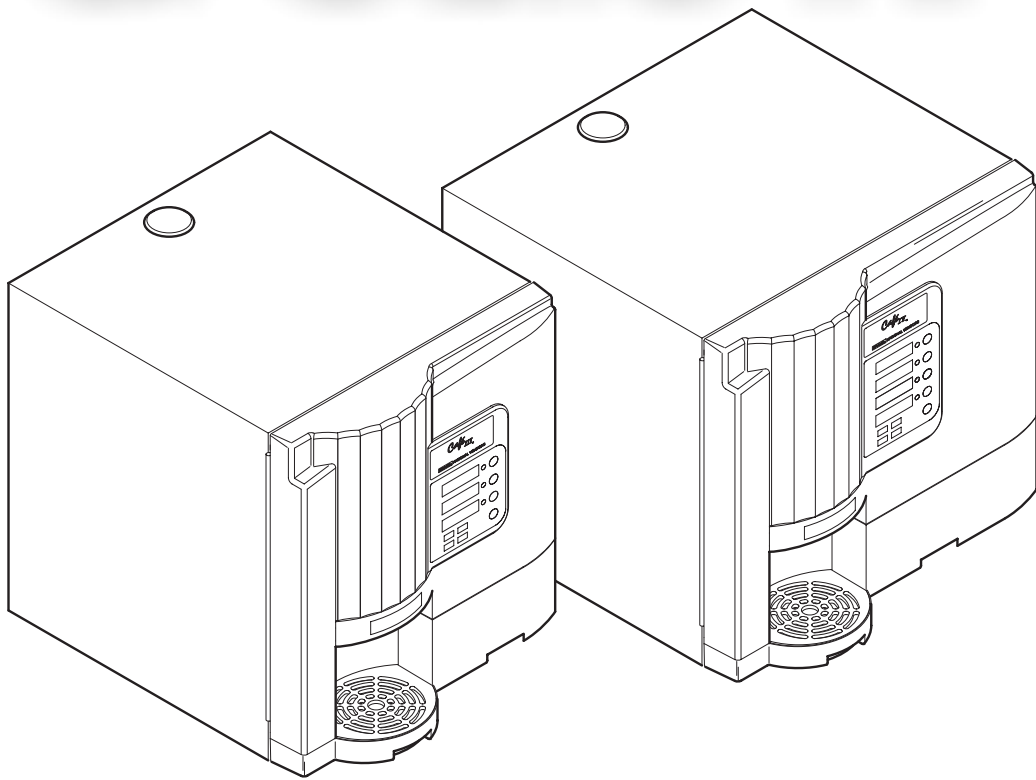


Model 680, 681, 682, 683

Café III & Café IV



PARTS MANUAL

CRANE NATIONAL VENDORS
12955 Enterprise Way
Bridgeton, Missouri 63044-1200
(314) 298-3500
www.nationalvendors.com

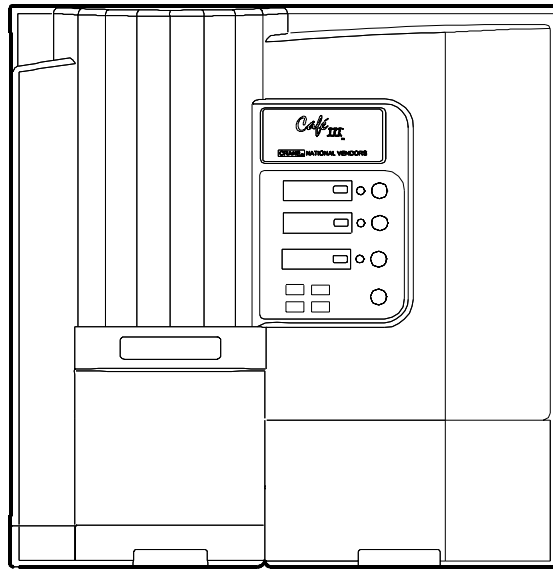


List of Figures

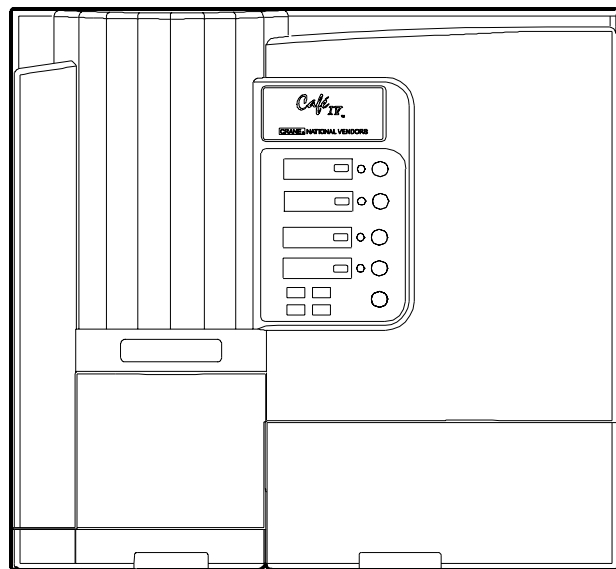
Figure	Title	Page
1.	Overall Machine	2
2.	Door Assembly	4
3.	Upper Cabinet Assembly - Part 1	6
4.	Upper Cabinet Assembly - Part 2	8
5.	Upper Cabinet Assembly - Part 3	10
6.	Upper Cabinet Assembly - Part 4	12
7.	Upper Cabinet Assembly - Part 5	14
8.	Exhaust Fan.....	16
9.	Brewer Pump Assembly	18
10.	Brewer Drive Assembly.....	20
11.	Brewer Assembly.....	22
12.	Carrier and Cam Follower Assembly	24
13.	Power Panel Assembly	26
14.	Paper Cutter Assembly	28
15.	Water Tank Assembly Detail.....	30
16.	Check Valve Assembly and Inlet Valve Assembly	32
17.	Product Shelf Assemblies	34
19.	Mixing Bowl, Vent & Whipper Assemblies - Fresh Brew - Café III.....	36
20.	Mixing Bowl, Vent & Whipper Assemblies - Fresh Brew Café IV	38
21.	Mixing Bowl, Vent & Whipper Assemblies - Freeze Dry Café III and IV	40
22.	Vents for Alternate Configurations.....	42
23.	Mixing Bowl With Whipper	44
24.	Base Door Assembly	46
25.	Base Cabinet Assembly	48
26.	Upper Cabinet Interface Components.....	50
27.	Coin Module	52
28.	Upper Cabinet and Coin Module Cabinet Interconnection	54
37.	Bottled Water Pump Accessory	60
38.	Everpure Water Filter Accessory.....	62

List of Tables

Table	Title	Page
1	Overall Machine	3
2	Door Assembly	5
3	Upper Cabinet Assembly - Part 1	7
4	Upper Cabinet Assembly - Part 2	9
5	Upper Cabinet Assembly - Part 3	11
6	Upper Cabinet Assembly - Part 4	13
7	Upper Cabinet Assembly - Part 5	15
8	Exhaust Fan	17
9	Brewer Pump Assembly	19
10	Brewer Drive Assembly	21
11	Brewer Assembly	23
12	Carrier and Cam Follower Assembly	25
13	Power Panel Assembly	27
14	Paper Cutter Assembly	29
15	Water Tank Assembly Detail	31
16	Check Valve Assembly and Inlet Valve Assembly	33
17	Product Shelf Assemblies	35
18	Canister, Chute, and Canister Spout Stop Usage	35
19	Mixing Bowl, Vent & Whipper Assemblies - Fresh Brew - Café III	37
20	Mixing Bowl, Vent & Whipper Assemblies - Fresh Brew Café IV	39
21	Mixing Bowl, Vent & Whipper Assemblies - Freeze Dry Café III and IV	41
22	Vents for Alternate Configurations	43
23	Mixing Bowl With Whipper	45
24	Base Door Assembly	47
25	Base Cabinet Assembly	49
26	Upper Cabinet Interface Components	51
27	Coin Module	53
28	Upper Cabinet and Coin Module Cabinet Interconnection	55
29	Logo and Label Assembly	56
30	Bag Assembly b6800005 - u.s.	56
31	Bag Assembly B6800006 - french canadian.....	57
32	Bag Assembly B6800007 - france	57
33	Bag Assembly B6800008 - Germany	58
34	Bag Assembly B6800009 - U.K.	58
35	Upper CAbinet Assembly - Part 8 - Wire Harnesses.....	59
36	Upper Cabinet Assembly - Part 9 - Tubing	59
37	Bottled Water Pump Accessory	61
38	Everpure Water Filter Accessory	63



Café IIITM



Café IVTM

680p0105

Café III and Café IV

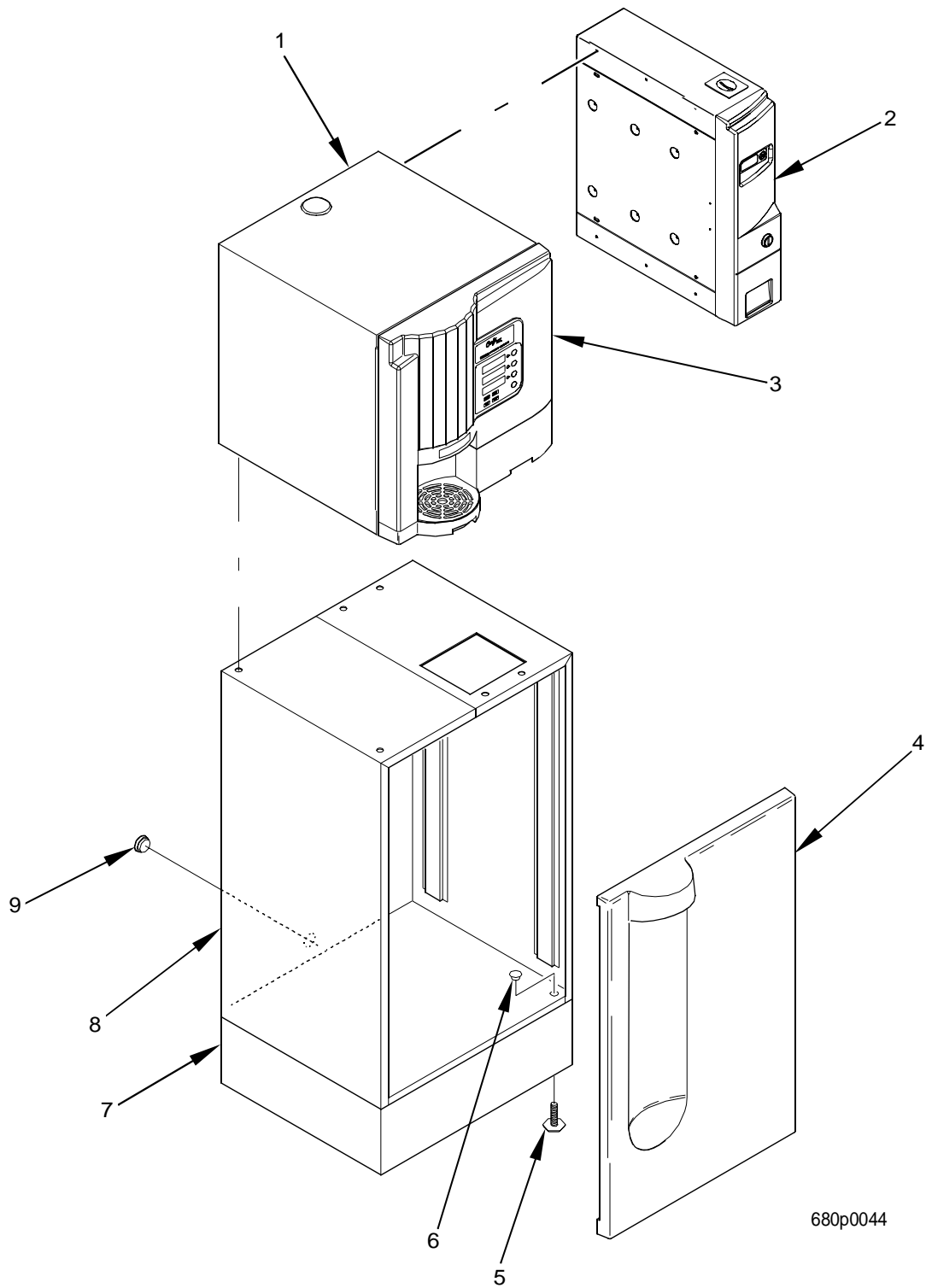
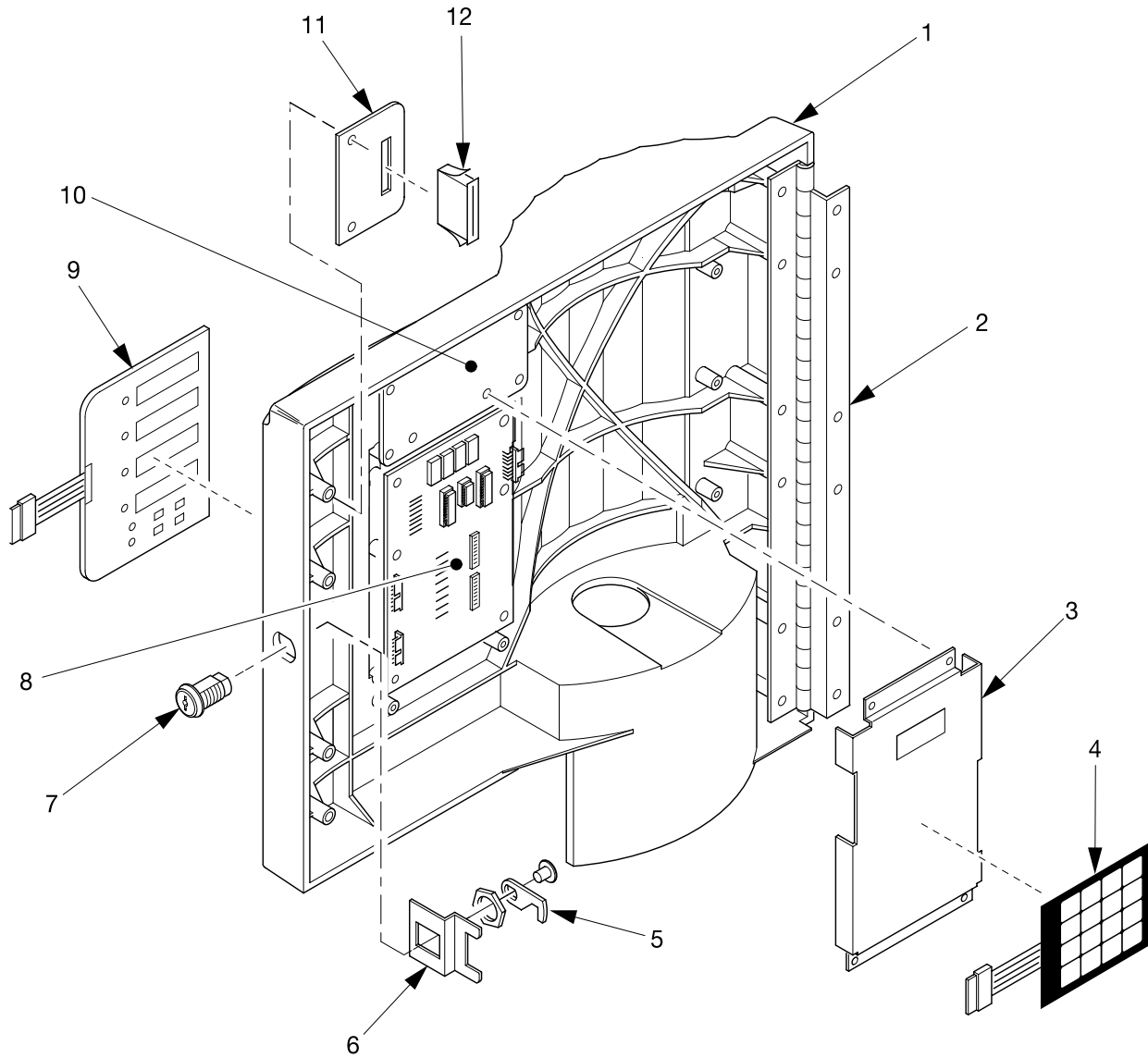


Figure 1. Overall Machine

TABLE 1. OVERALL MACHINE

INDEX	PART NUMBER	DESCRIPTION	QTY
1	-	UPPER CABINET (FIGURES 3, 4, 21, 19, 20, 5, 6, 7)	-
2	-	COIN MODULE (FIGURE 27)	OPT
3	-	UPPER DOOR (FIGURE 2)	-
4	-	BASE DOOR (FIGURE 24)	-
5	6401809	LEVELER - BASE CABINET	4
6	6801041	HOLE PLUG - .25DIA	4
7	6821068	RIVET ASSEMBLY - SKIRT- BASE CABINET	1
8	6821072	BASE CABINET - WARM WHITE	1
	6821073	BASE CABINET - CHARCOAL	
	6821074	BASE CABINET - GLACIER SILVER	
9	6401851	HOLE PLUG - .594DIA	1

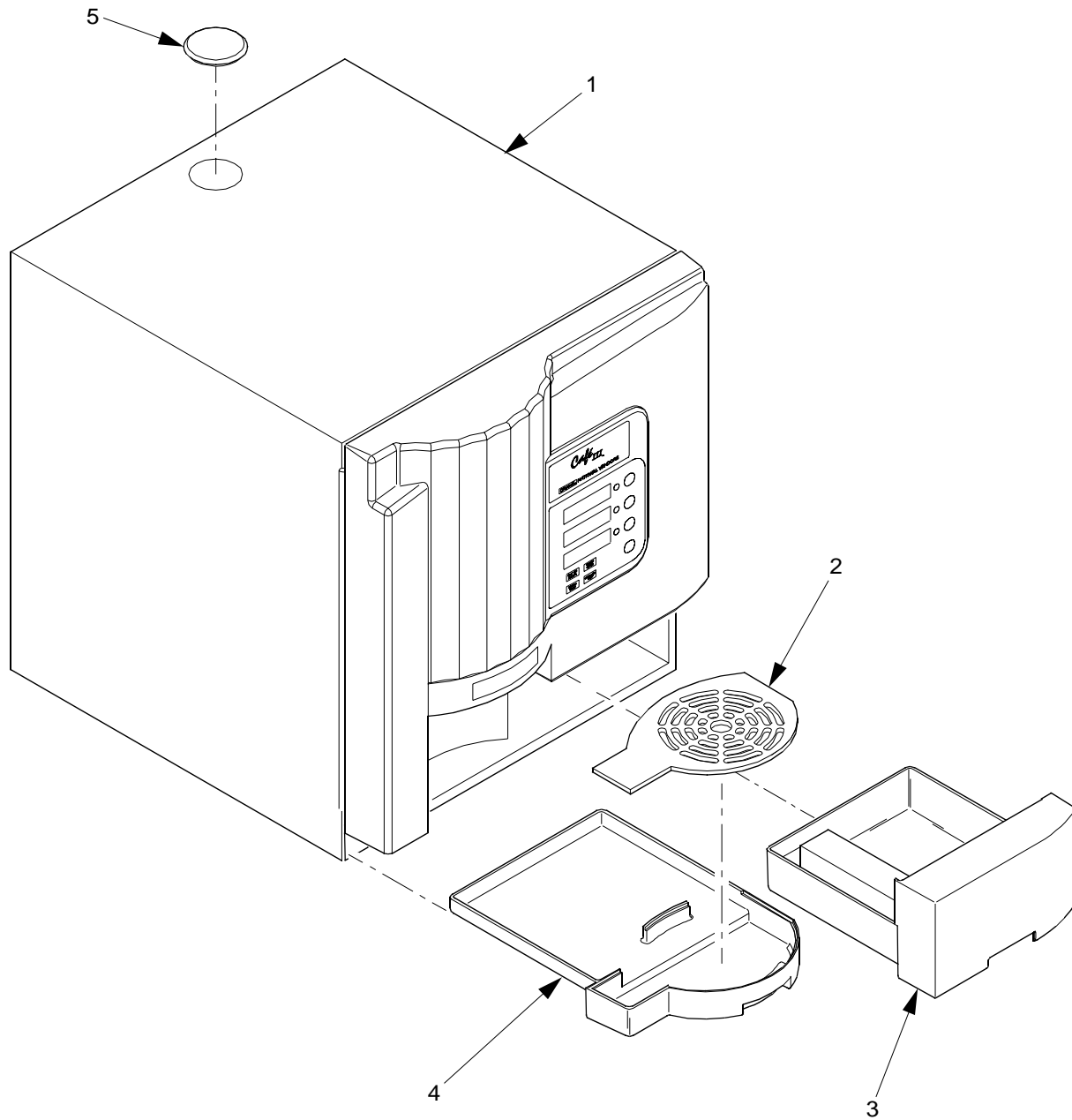


680p0027

Figure 2. Door Assembly

TABLE 2. DOOR ASSEMBLY

INDEX	PART NUMBER	DESCRIPTION	QTY
1	6802013	DOOR - CAFÉ III - WARM WHITE	1
	6802014	DOOR - CAFÉ III - CHARCOAL	
	6802015	DOOR - CAFÉ III - GLACIER SILVER	
	6822005	DOOR - CAFÉ IV - WARM WHITE	
	6822006	DOOR - CAFÉ IV - CHARCOAL	
	6822007	DOOR - CAFÉ IV - GLACIER SILVER	
2	6802027	HINGE - WARM WHITE	1
	6802028	HINGE - CHARCOAL	
	6802029	HINGE - GLACIER SILVER	
3	6802022	COVER - SERVICE DISPLAY PCB	1
4	6802069	SERVICE KEYPAD ASSEMBLY	1
5	6401053	CAM - LOCK - CHICAGO #6 365Z	1
6	6801071	STRIKE - DOOR	1
7	6801052	LOCK - DOOR - #1801 - KEY CODE NV 407	1
-	2221920	KEY - CHICAGO LOCK #1801 NV 407 (NOT SHOWN)	1
8	6806022	PCB AND INSTRUCTION ASSEMBLY	1
9	6802061	MEMBRANE SELECTION ASSEMBLY - CAFÉ III (U.S./U.K.)	1
	6802062	MEMBRANE SELECTION ASSEMBLY - CAFÉ III (GERMANY)	
	6802063	MEMBRANE SELECTION ASSEMBLY - CAFÉ III (FRANCE)	
	6802064	MEMBRANE SELECTION ASSEMBLY - CAFÉ III (FRENCH CANADIAN)	
	6822025	MEMBRANE SELECTION ASSEMBLY - CAFÉ IV (U.S./U.K.)	
	6822028	MEMBRANE SELECTION ASSEMBLY - CAFÉ IV (FRENCH CANADIAN)	
	6822027	MEMBRANE SELECTION ASSEMBLY - CAFÉ IV (FRANCE)	
	6822026	MEMBRANE SELECTION ASSEMBLY - CAFÉ IV (GERMAN)	
10	6802023	PLATE - SERVICE PCB INSTRUCTION	1
11	6801028	MOUNTING - MAGNET	1
12	6801051	MAGNETIC CATCH - SNAP IN	1



680p0053

Figure 3. Upper Cabinet Assembly - Part 1

TABLE 3. UPPER CABINET ASSEMBLY - PART 1

INDEX	PART NUMBER	DESCRIPTION	QTY
1	6801098	CABINET ASSEMBLY - WARM WHITE (CAFÉ III)	1
	6801099	CABINET ASSEMBLY - CHARCOAL (CAFÉ III)	
	6801100	CABINET ASSEMBLY - GLACIER SILVER (CAFÉ III)	
	6821095	CABINET ASSEMBLY - WARM WHITE (CAFÉ IV)	
	6821096	CABINET ASSEMBLY - CHARCOAL (CAFÉ IV)	
	6821097	CABINET ASSEMBLY - GLACIER SILVER (CAFÉ IV)	
2	6802003	GRATE - DRAIN TRAY	1
3	6802042	GROUND TRAY ASSEMBLY - CAFÉ III - WARM WHITE	1
	6802043	GROUND TRAY ASSEMBLY - CAFÉ III - CHARCOAL	
	6802044	GROUND TRAY ASSEMBLY - CAFÉ III - GLACIER SILVER	
	6822019	GROUND TRAY ASSEMBLY - CAFÉ IV - WARM WHITE	
	6822020	GROUND TRAY ASSEMBLY - CAFÉ IV - CHARCOAL	
	6822021	GROUND TRAY ASSEMBLY - CAFÉ IV - GLACIER SILVER	
4	6802019	DRAIN TRAY - CAFÉ III - WARM WHITE (CAFÉ III/IV)	1
	6802020	DRAIN TRAY - CAFÉ III - CHARCOAL (CAFÉ III/IV)	
	6802021	DRAIN TRAY - CAFÉ III - GLACIER SILVER (CAFÉ III/IV)	
5	6801033	PLUG - HOLE - 2 IN. DIA	1
-	6822036	DECAL - DOOR - MAXWELL HOUSE BRAND ASSEMBLY (CONTAINS ALL THE FOLLOWING ITEMS) - NOT SHOWN	OPT.
	6822037	DECAL - DOOR - MAIN	1
	6822038	DECAL - DOOR - LEFT	1
	6820039	DECAL - DOOR DRAIN TRAY	1
	6820040	DECAL - DOOR GROUNDS TRAY	1

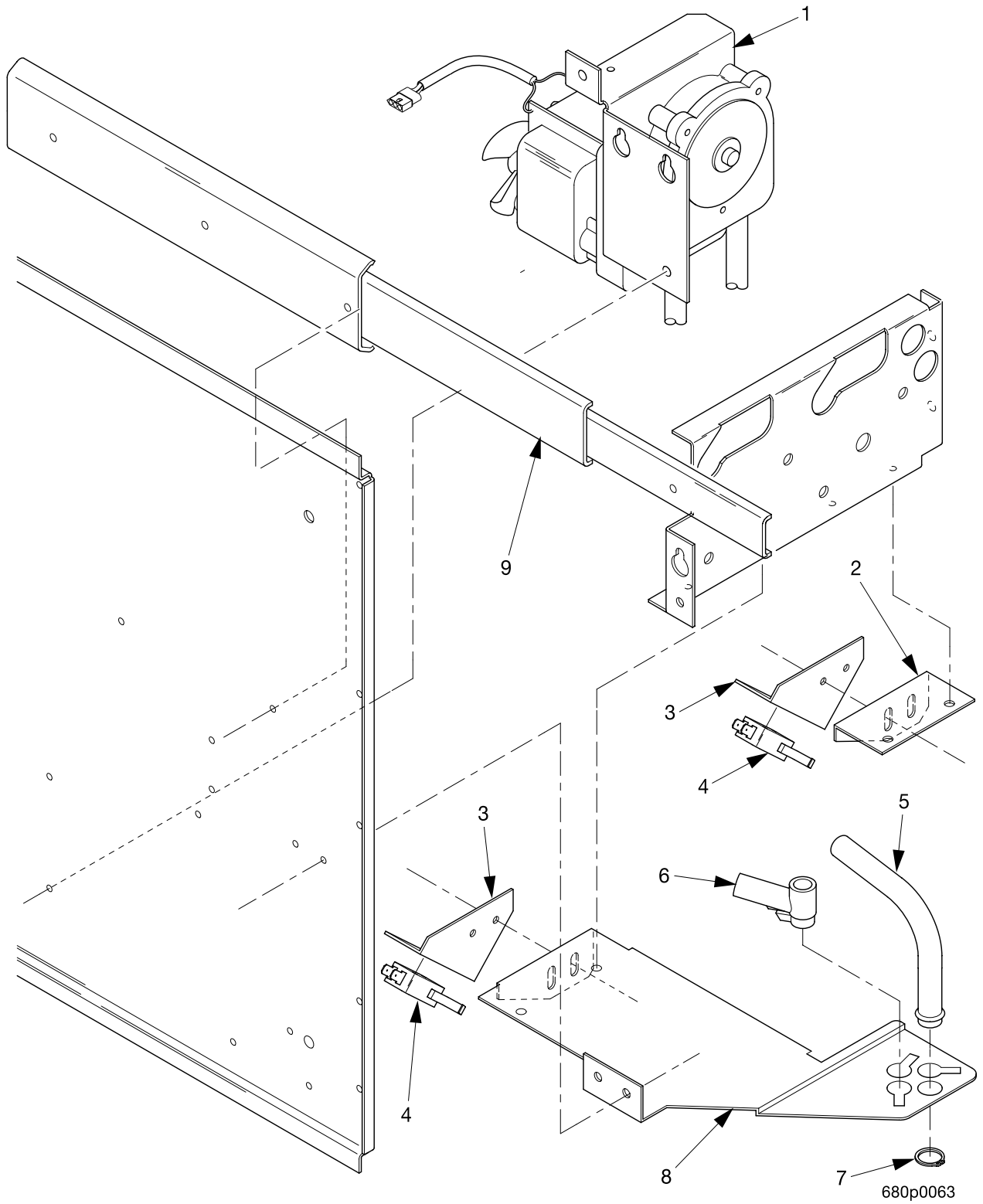


Figure 4. Upper Cabinet Assembly - Part 2

TABLE 4. UPPER CABINET ASSEMBLY - PART 2

INDEX	PART NUMBER	DESCRIPTION	QTY
1	6804015	PUMP ASSEMBLY - BREWER - 115V (FIGURE 9)	1
	6804075	PUMP ASSEMBLY - BREWER - 230V (FIGURE 9)	1
2	6821019	MOUNTING-SWITCH-CAFE'4-FB	1
3	6801073	SWITCH MOUNTING-PAPER ROLL-FB	2
4	5220108	SWITCH (FILTER PAPER SENSING) - CAFÉ III - FB	1
		SWITCH (FILTER PAPER SENSING) CAFÉ IV FB	1
5	6407029	NOZZLE - HOT WATER CAFÉ IV FB/FD/CHOC	1
		NOZZLE - HOT WATER CAFÉ IV FD/FD/CHOC	
6	6807012	SPOUT - DISPENSING - CAFÉ III FB/FB	2
		SPOUT - DISPENSING - CAFÉ III FB/CHOC	3
		SPOUT - DISPENSING - CAFÉ III FD/CHOC	3
		SPOUT - DISPENSING - CAFÉ IV FB/FB/CHOC	3
7	6407030	RETAINING RING - SELF LOCKING CAFÉ IV FB/FD/CHOC	1
		RETAINING RING - SELF LOCKING CAFÉ IV FD/FD/CHOC	
8	6801074	BRACKET - NOZZLE	1
9	6801053	SLIDE - CANISTER SHELF	1

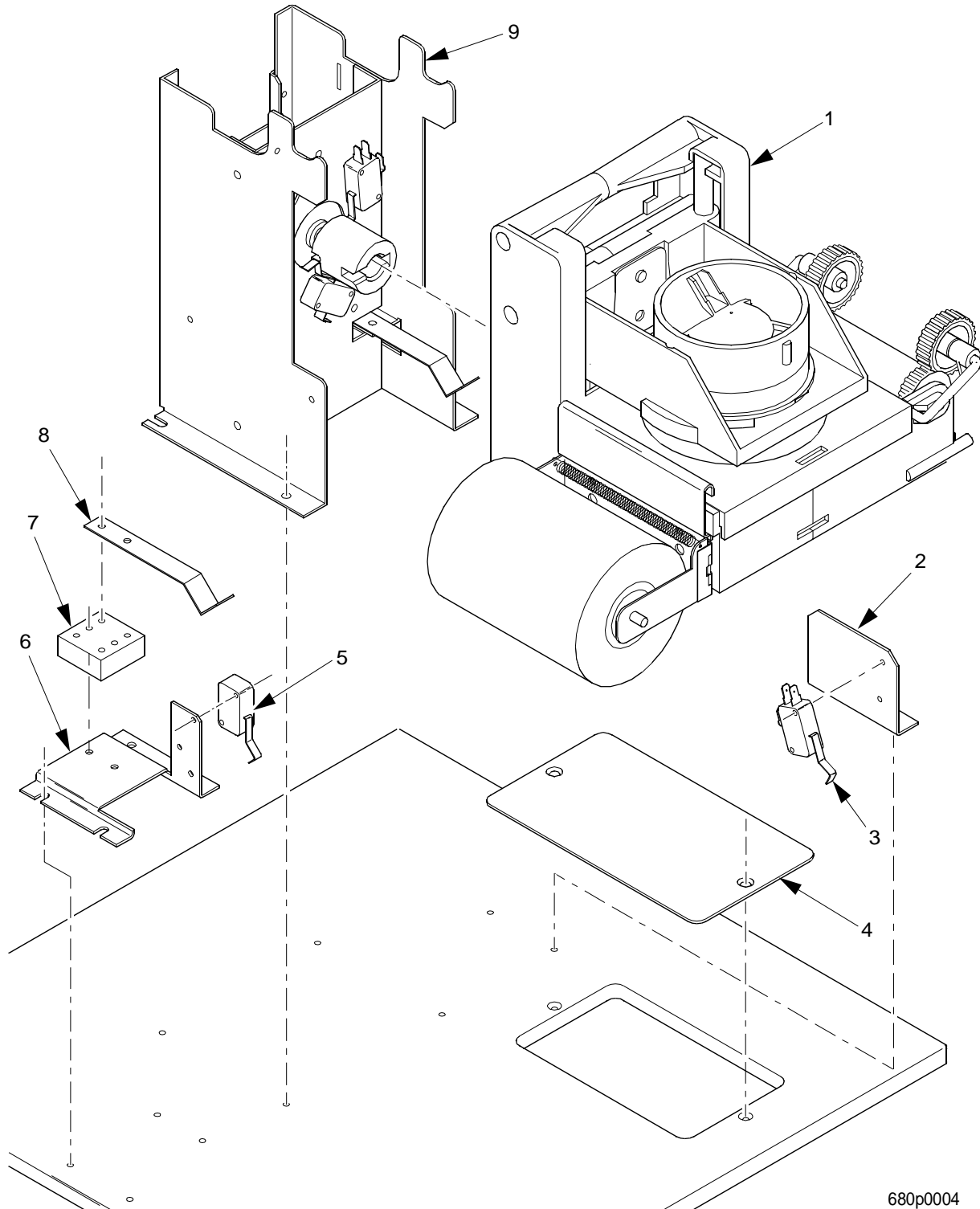
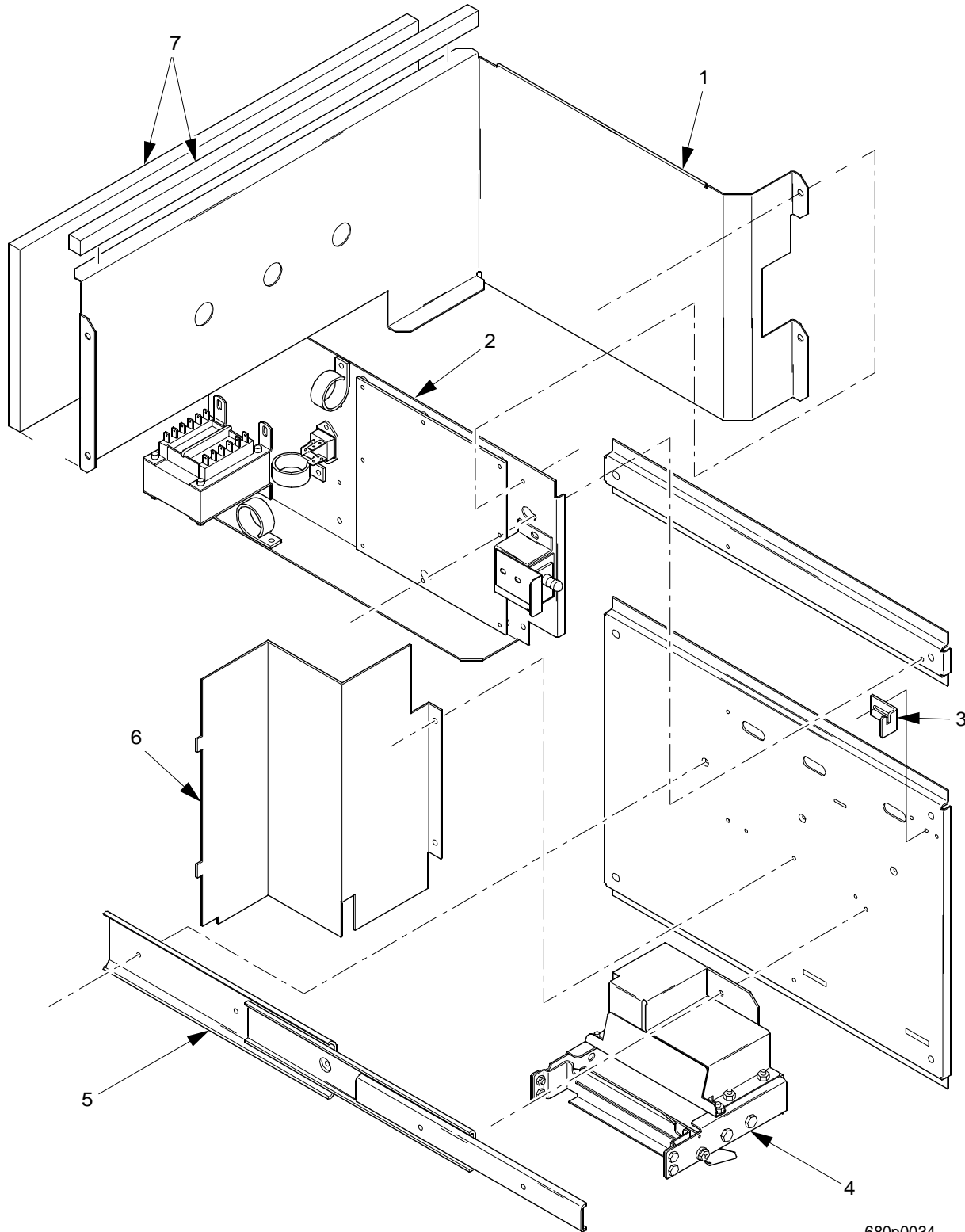


Figure 5. Upper Cabinet Assembly - Part 3

TABLE 5. UPPER CABINET ASSEMBLY - PART 3

INDEX	PART NUMBER	DESCRIPTION	QTY
1	6804081	BREWER ASSEMBLY - CAFÉ III/IV (FIGURE 11)	1
2	6801027	MOUNTING - SWITCH - GROUNDS TRAY	1
3	5220108	SWITCH (GROUNDS TRAY/WASTE PAIL)	1
4	6801029	PLATE - COVER - GROUNDS	1
5	5220108	SWITCH (DRAIN TRAY)	1
6	6801026	MOUNTING - SWITCH/SPRING CLIP	1
7	6801025	INSULATOR - LEVEL PROBE - DRAIN TRAY	1
8	6801042	LOCKING SPRING	2
9	6804016	BREWER DRIVE ASSEMBLY (FIGURE 10)	1

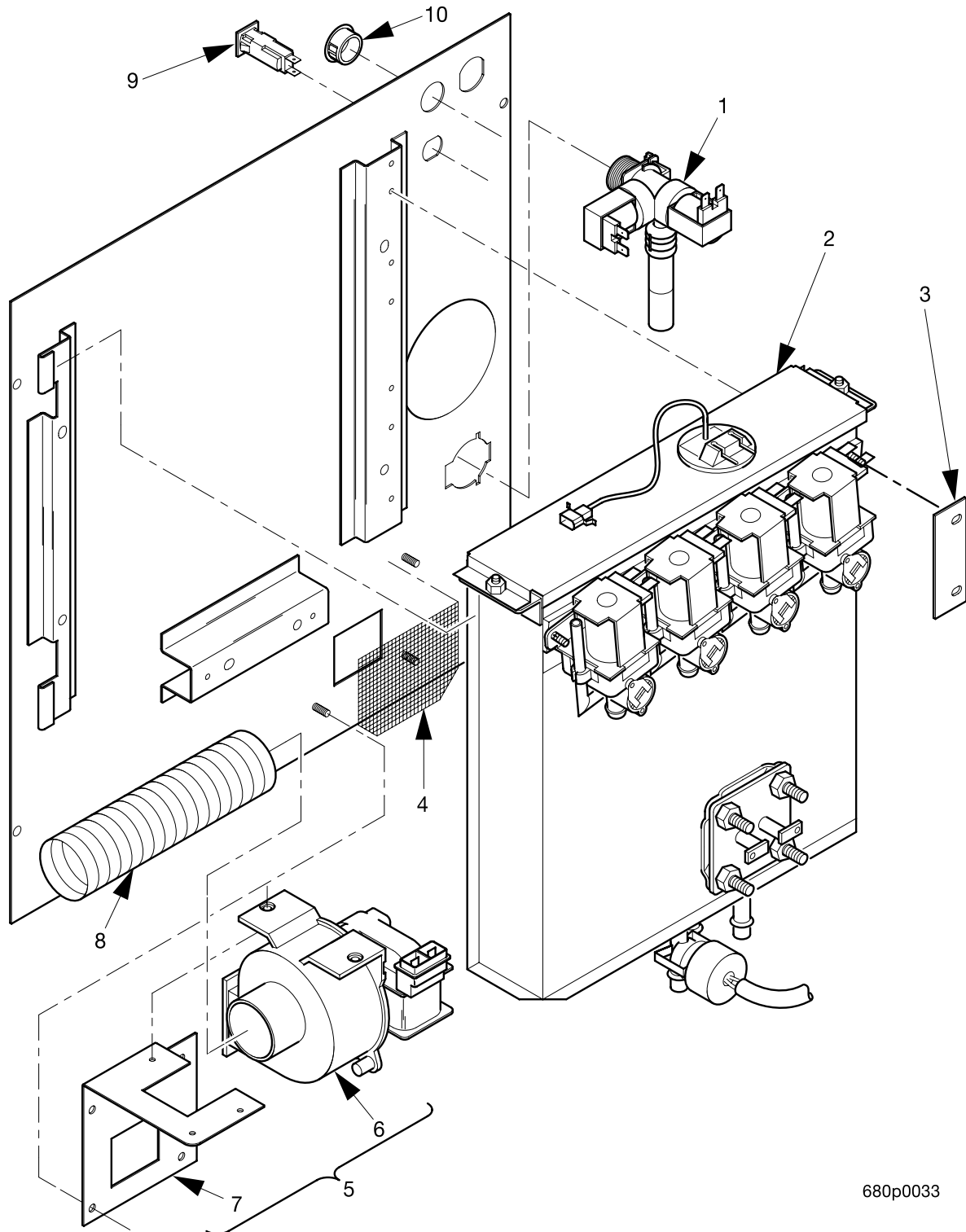


680p0034

Figure 6. Upper Cabinet Assembly - Part 4

TABLE 6. UPPER CABINET ASSEMBLY - PART 4

INDEX	PART NUMBER	DESCRIPTION	QTY
1	6821010	COVER - ELECTRONICS (CAFÉ IV)	1
	6801030	COVER - ELECTRONICS (CAFÉ III)	
2	6806016	POWER PANEL ASSEMBLY (FRESH BREW ONLY) (FIGURE 13)	1
	6806025	POWER PANEL ASSEMBLY - 230 V (U.K.) (FIGURE 13)	
	6806026	POWER PANEL ASSEMBLY - 230 V (FRANCE/GERMANY) (FIGURE 13)	
3	6801054	LATCH - DOOR LOCK	1
4	6804082	PAPER CUTTER ASSEMBLY (FRESH BREW ONLY) (FIGURE 14)	1
5	6801053	SLIDE - CANISTER SHELF	1
6	6801031	COVER - LOWER	1
7	6801109	INSULATION, COVER (CAFE III)	1
	6821024	INSULATION, COVER (CAFE IV)	



680p0033

Figure 7. Upper Cabinet Assembly - Part 5

TABLE 7. UPPER CABINET ASSEMBLY - PART 5

INDEX	PART NUMBER	DESCRIPTION	QTY
1	-	INLET VALVE ASSEMBLY (FIGURE 16)	REF
2	6808031	BASIC WATER TANK ASSEMBLY - 2 VALVE - 115 V (FIGURE 15)	1
	6808032	BASIC WATER TANK ASSEMBLY - 2 VALVE - 230 V (FIGURE 15)	
3	6801013	RETAINER - WATER TANK	2
4	6801032	SCREEN - EXHAUST FAN	1
5	6807014	BLOWER AND BRACKET ASSEMBLY - 115 V/60 HZ	1
	6807020	BLOWER AND BRACKET ASSEMBLY - 230 V/50 HZ	
6	6807011	BLOWER ASSEMBLY - 115 V/60 HZ	1
	6807019	BLOWER ASSEMBLY - 230 V/50 HZ	
7	6801019	BRACKET - BLOWER MOUNTING	1
8	6807013	HOSE - EXHAUST	1
9	9989674	CIRCUIT BREAKER - 4 AMP	1
10	6801039	PLUG-HOLE-.75 DIA	1

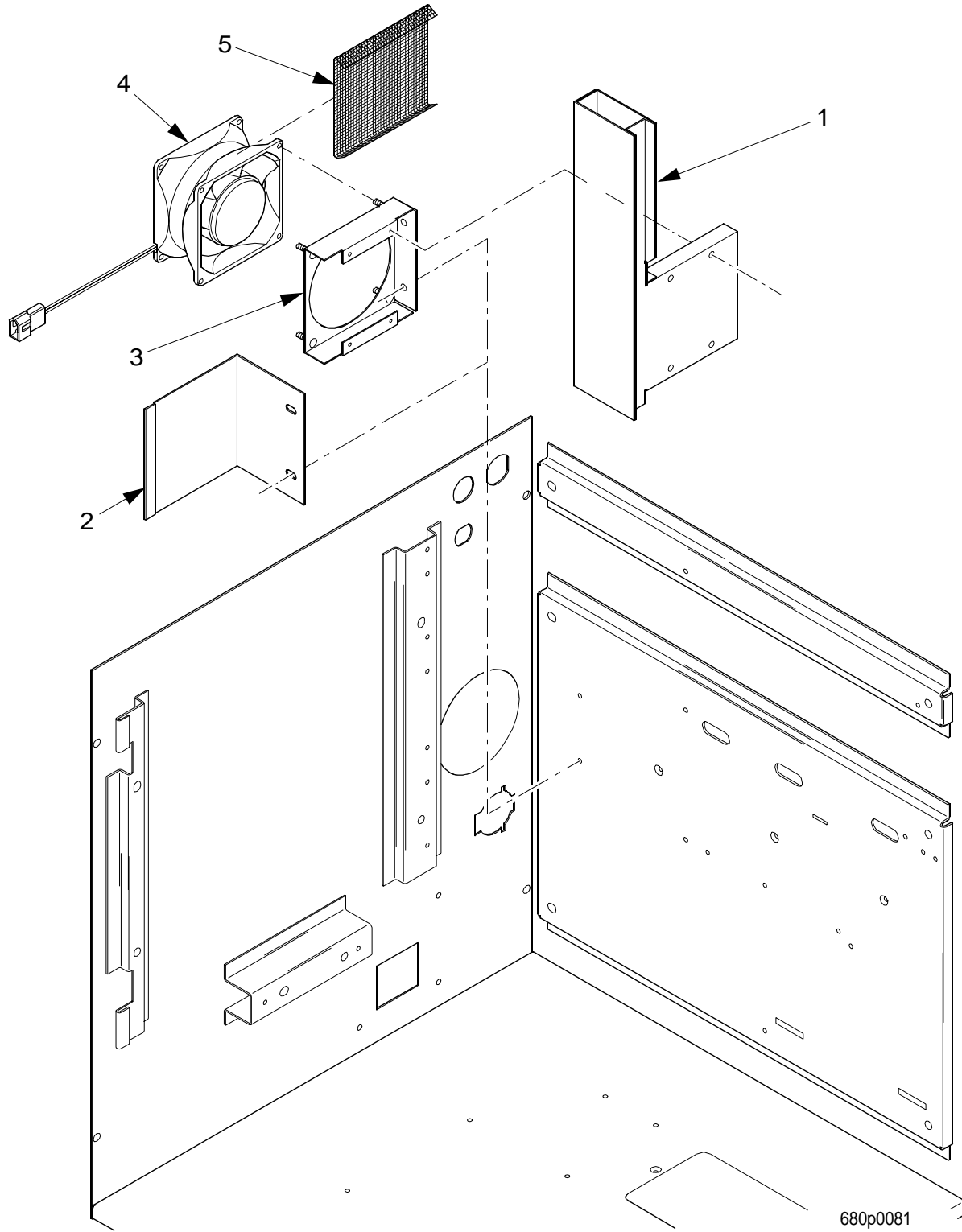
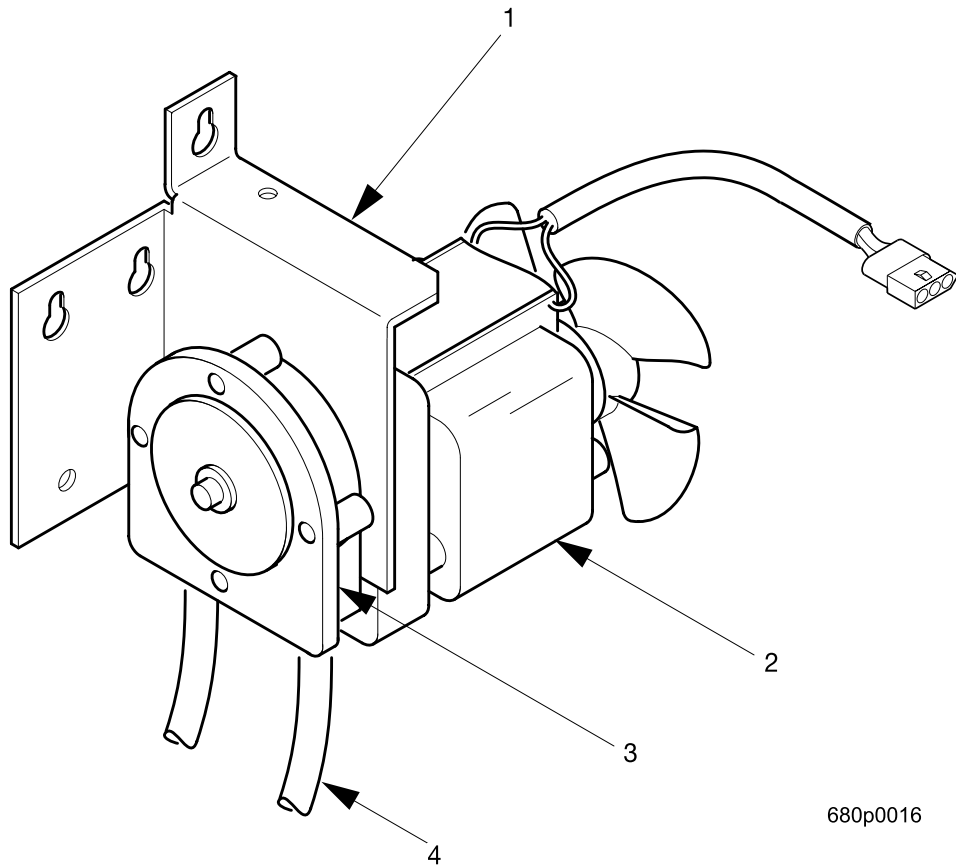


Figure 8. Exhaust Fan

TABLE 8. EXHAUST FAN

INDEX	PART NUMBER	DESCRIPTION	QTY
1	6801104	WELD ASSEMBLY-BLOWER HOUSING	1 OPT
2	6801111	COVER PLATE-NO FAN	1 OPT
3	6801102	HOUSING-FAN	1 OPT
4	6231526	EXHAUST FAN-115V	1 OPT
	6331025	FAN-EXHAUST-230V	
5	6801108	SCREEN-CABINET EXHAUST	1 OPT



680p0016

Figure 9. Brewer Pump Assembly

TABLE 9. BREWER PUMP ASSEMBLY

INDEX	PART NUMBER	DESCRIPTION	QTY
-	6804015	PUMP ASSEMBLY - BREWER - 115 V - CAFÉ III/IV	REF
	6404077	MOTOR - BREWER PUMP - 230 V	
1	6801020	BRACKET - PUMP MOUNTING	1
2	6404076	MOTOR - BREWER PUMP - 115 V	1
	6804075	PUMP ASSEMBLY - BREWER - 230 V - CAFE III/IV	
3	6404078	PERISTALTIC PUMP KIT - ANKO 820	1
4	6804055	TUBING - 6404059 - 35.5 INCHES	1

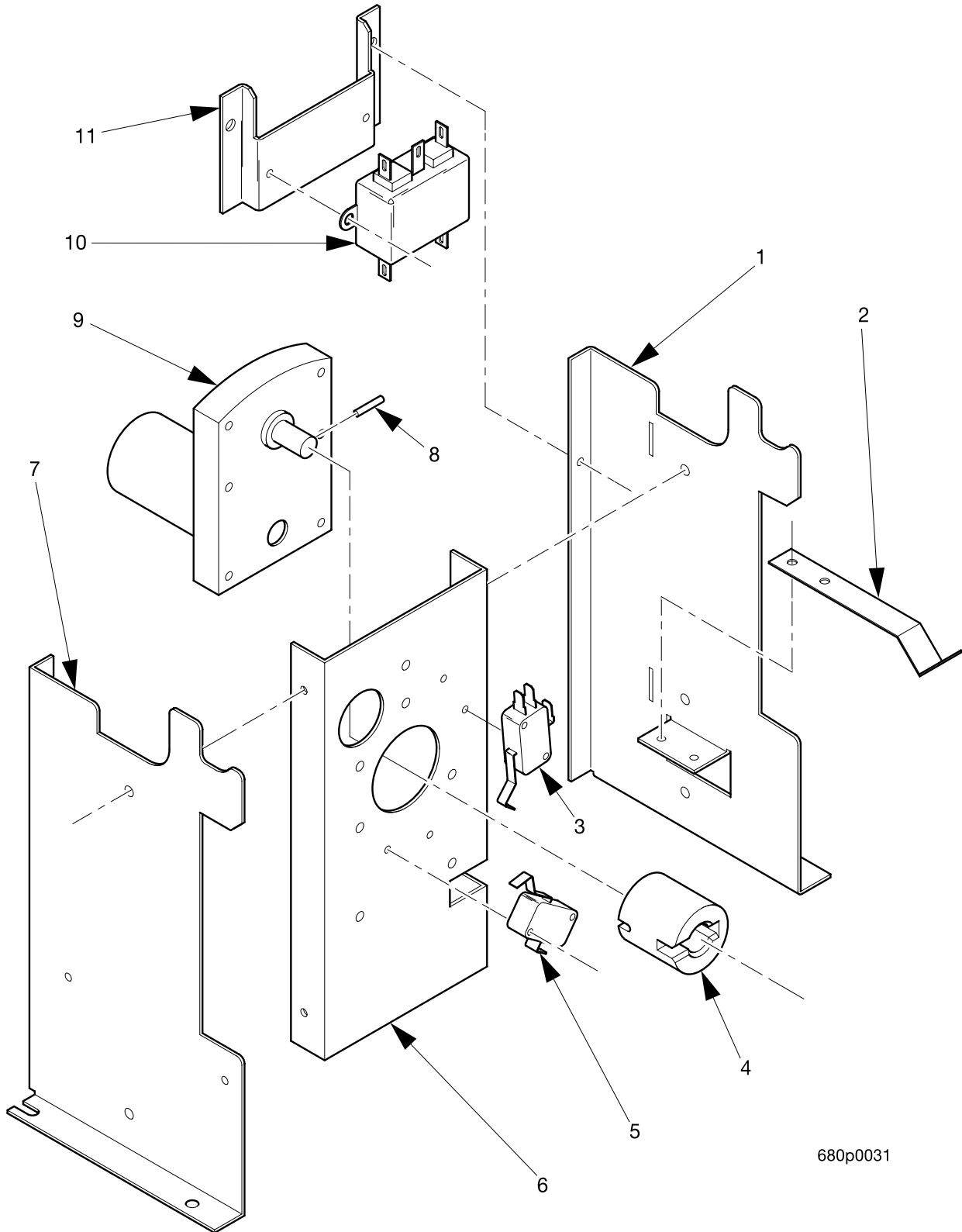
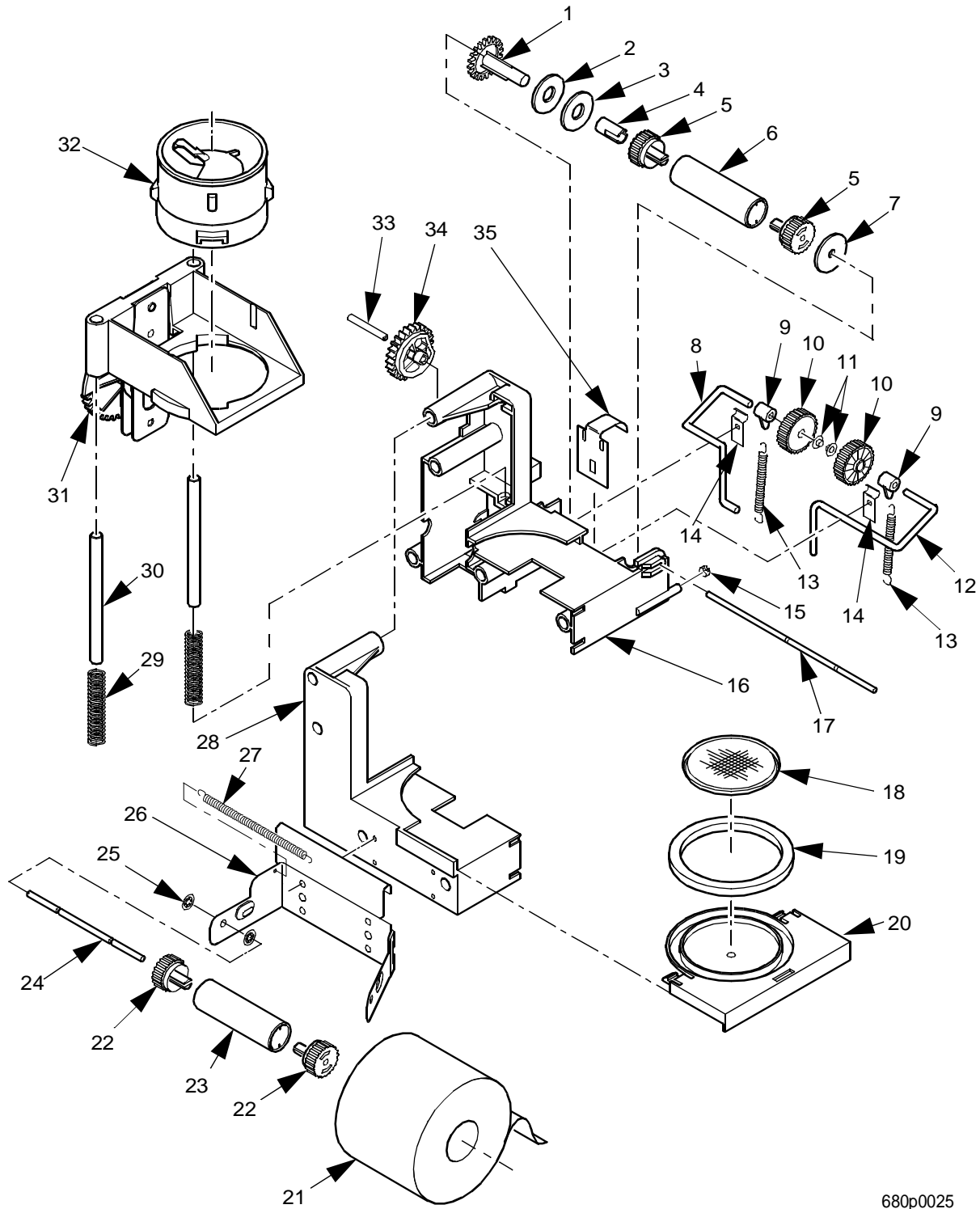


Figure 10. Brewer Drive Assembly

TABLE 10. BREWER DRIVE ASSEMBLY

INDEX	PART NUMBER	DESCRIPTION	QTY
1	6804010	PLATE -RIGHT SIDE - BREWER MOUNTING	1
2	6801042	LOCKING SPRING	1
3	5220108	SWITCH (BREW HOME SWITCH)	1
4	6404011	CAM - CYCLE SWITCH - COUPLER	1
5	5220108	SWITCH (BREW CLAMP SWITCH)	1
6	6804009	PLATE - BREWER MOTOR MOUNTING	1
7	6804011	PLATE - LEFT SIDE - BREWER MOUNTING	1
8	4047061	ROLL PIN 1/8 X 1 1/8	1
9	6404010	BREWER MOTOR - 32 RPM/24V	1
10	9989100	INTERFERENCE FILTER	1
11	6801043	MOUNTING - EMI FILTER	1



680p0025

Figure 11. Brewer Assembly

TABLE 11. BREWER ASSEMBLY

INDEX	PART NUMBER	DESCRIPTION	QTY
-	6804081	BREWER ASSEMBLY - CAFE III/IV	REF
1	6404024	GEAR-DRIVE-PAPER	1
2	6404039	WASHER-1.25 O.D. X .54 I.D.	1
3	6404038	WASHER-1.25 I.D. X .406	1
4	6234603	ROLLER DRIVE-PAPER MECH	1
5	6234620	ROLLER END CAP-PAPER MECH	2
6	6404026	ROLLER-EXTRUSION PAPER	1
7	6404037	WASHER-1.25 O.D. X .203 I.D.	1
8	6404096	AXLE-IDLER ROLLER-RT	1
9	6404030	TOGGLE-SPRING	2
10	6404098	DRIVE/IDLER-PAPER DRIVE	2
11	6404027	RETAINER-GROOVELESS	2
12	6404095	AXLE-IDLER ROLLER-LT	1
13	6404067	SPRING-EXTENSION	2
14	6404114	RETAINER-IDELR AXIS	2
15	6804061	COMPRESSION RING	2
16	6804002	HOUSING-BREWER-RT SIDE	1
17	6404025	SHAFT-PAPER DRIVE	1
18	6404070	SCREEN-BREWER-60 X 60 MESH	1
19	6404090	SEAL-BREWER	1
20	6404062	HOUSING-SCREEN & SEAL-CAFE 3/4	1
21	6804005	PAPER-FILTER-OCS-CAFÉ III/IV (NOT PART OF BREWER ASSEMBLY)	-
22	6234620	ROLLER END CAP-PAPER MECH (NOT PART OF BREWER ASSEMBLY)	2
23	6404026	ROLLER-EXTRUSION PAPER (NOT PART OF BREWER ASSEMBLY)	1
24	6804008	SHAFT-PAPER DRIVE (NOT PART OF BREWER ASSEMBLY)	1
25	5201266	PUSH-ON RETAINER - .187	2
26	6804076	BRACKET ASSEMBLY-WELD-FILTER	1
27	6804087	SPRING - BRACKET ASSEMBLY - FILTER PAPER	1
28	6804001	HOUSING-BREWER-LT SIDE	1
29	6804006	SPRING-CARRIER (PART OF INDEX 31)	2
30	6804007	SHAFT-CARRIER BEARING (PART OF INDEX 31)	2
31	6804019	CARRIER & CAM FOLLOWER ASSEMBLY (FIGURE 12)	1
32	6804004	CYLINDER-BREWER	1
33	6404023	AXLE-INDEX GEAR	1
34	6404022	GEAR-PAPER INDEX PINION	1
35	6804053	GUIDE-PAPER	1

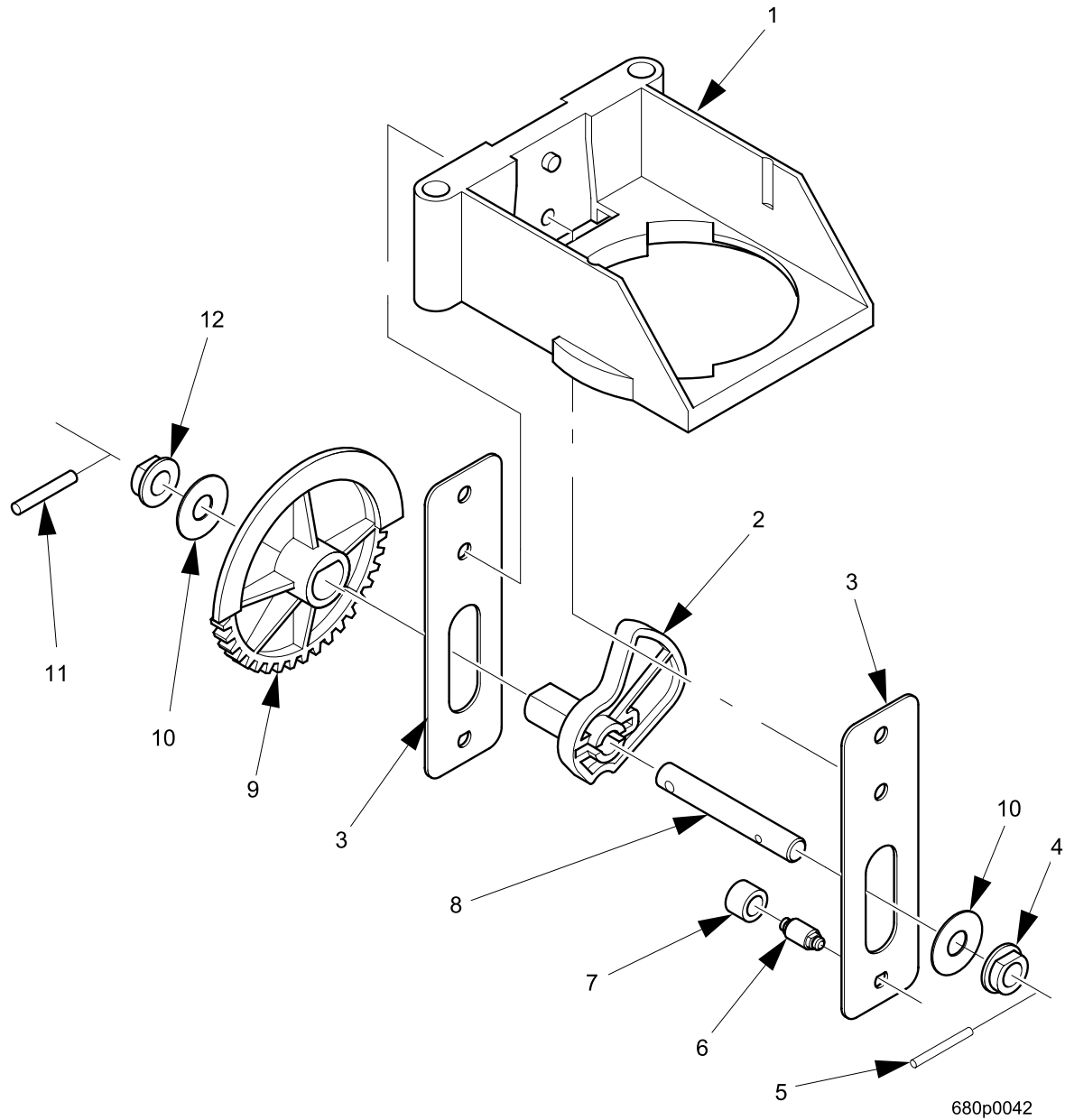
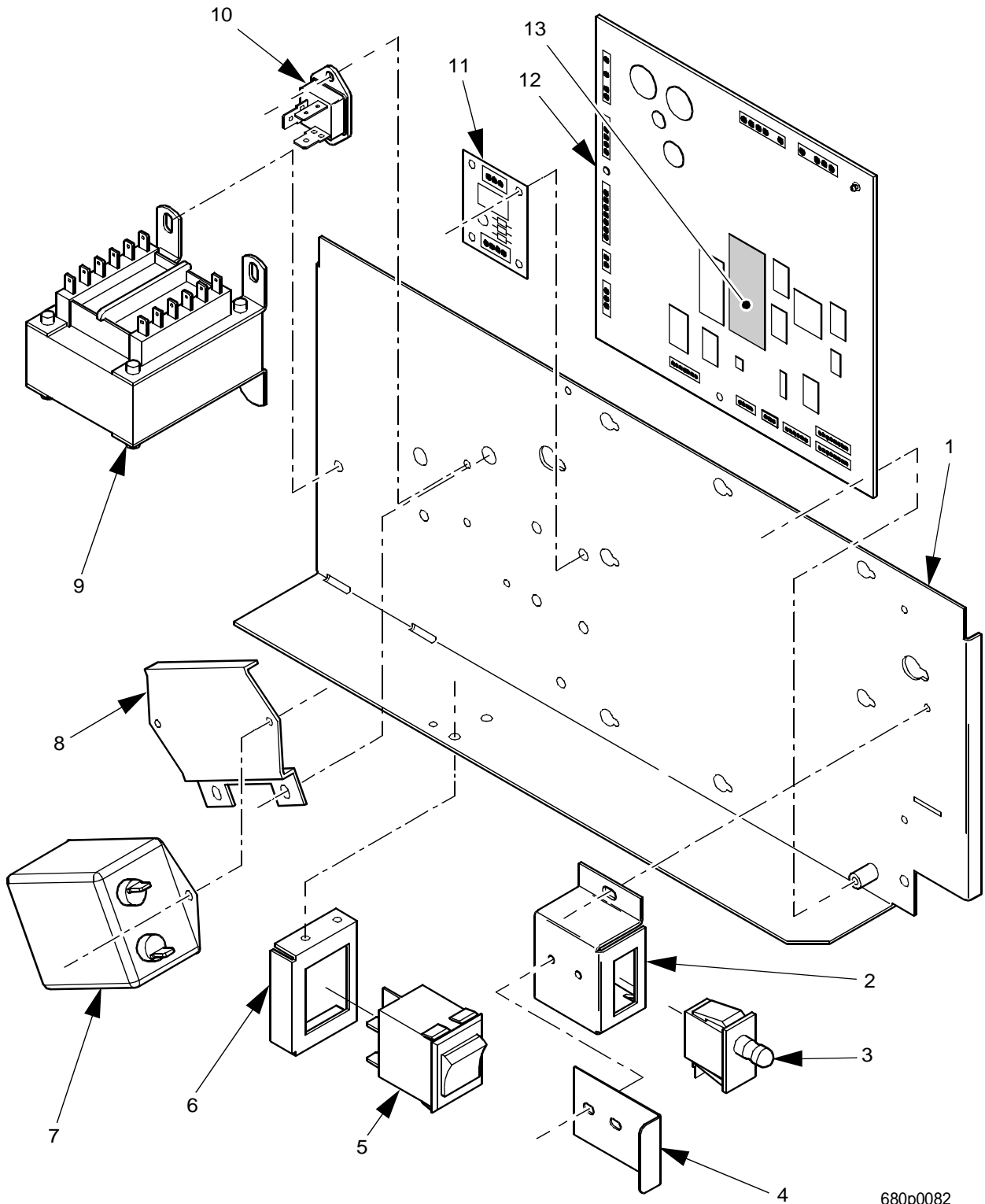


Figure 12. Carrier and Cam Follower Assembly

TABLE 12. CARRIER AND CAM FOLLOWER ASSEMBLY

INDEX	PART NUMBER	DESCRIPTION	QTY
-	6804019	CARRIER & CAM FOLLOWER ASSEMBLY	REF
1	6804003	CARRIER-CYLINDER	1
2	6404014	CAM-CYLINDER CARRIER	1
3	6404019	PLATE-CAM FOLLOWER	2
4	4047012	SHOULDER BUSHING	1
5	4047061	ROLL PIN 1/8 X 1-1/8	1
6	6404073	SHAFT-CAM FOLLOWER	1
7	6404074	ROLLER-CAM FOLLOWER	1
8	6404013	SHAFT-CAM	1
9	6404015	GEAR-PAPER INDEX DRIVE	1
10	6134042	WASHER-1.00 O.D X .390 I.D. X 22 GA.-SS	1
11	6133157	ROLL PIN 3/16 X 1	1
12	4047012	SHOULDER BUSHING (PART OF NEXT HIGHER ASSEMBLY)	1



680p0082

Figure 13. Power Panel Assembly

TABLE 13. POWER PANEL ASSEMBLY

INDEX	PART NUMBER	DESCRIPTION	QTY
-	6806016	POWER PANEL ASSEMBLY - 115V (USA/FRENCH-CANADIAN)	1
	6806025	POWER PANEL ASSEMBLY - 230V (UK)	
	6806026	POWER PANEL ASSEMBLY - 230V - FR/GER (FRANCE/GERMANY)	
1	6801092	PANEL-PCB MOUNTING	1
2	6801056	MOUNTING-DOOR SW/MAG.LATCH	1
3	6801066	SWITCH-INTERLOCK	1
4	6801055	LATCH-DOOR MAGNET (NOT PART OF POWER PANEL ASSEMBLY)	1
5	9989010	CIRCUIT BREAKER/SWITCH-16A (230V: FRANCE/GERMANY)	1
6	6801093	BRACKET-MOUNTING BREAKER (230V: FRANCE/GERMANY)	1
7	9989119	FILTER-POWER LINE-EMI (230V: FRANCE/GERMANY/UK))	1
8	6801091	BRACKET-MOUNTING-FILTER (230V: FRANCE/GERMANY/UK))	1
9	9989046	24V XFMR-DUAL PIR.-.187 TERM	1
10	9983778	TRIAC-35A-600V	1
11	9989800	PCB ASSY-BREWER/PAPR CUTR RE	1
12	6806020	PCB ASSY-CONTROLLER-OCS 3 & 4	1
13	-	IC ASSEMBLY (EPROM) (SEE LABEL ON EPROM FOR SOFTWARE VERSION AND PART NUMBER)	1

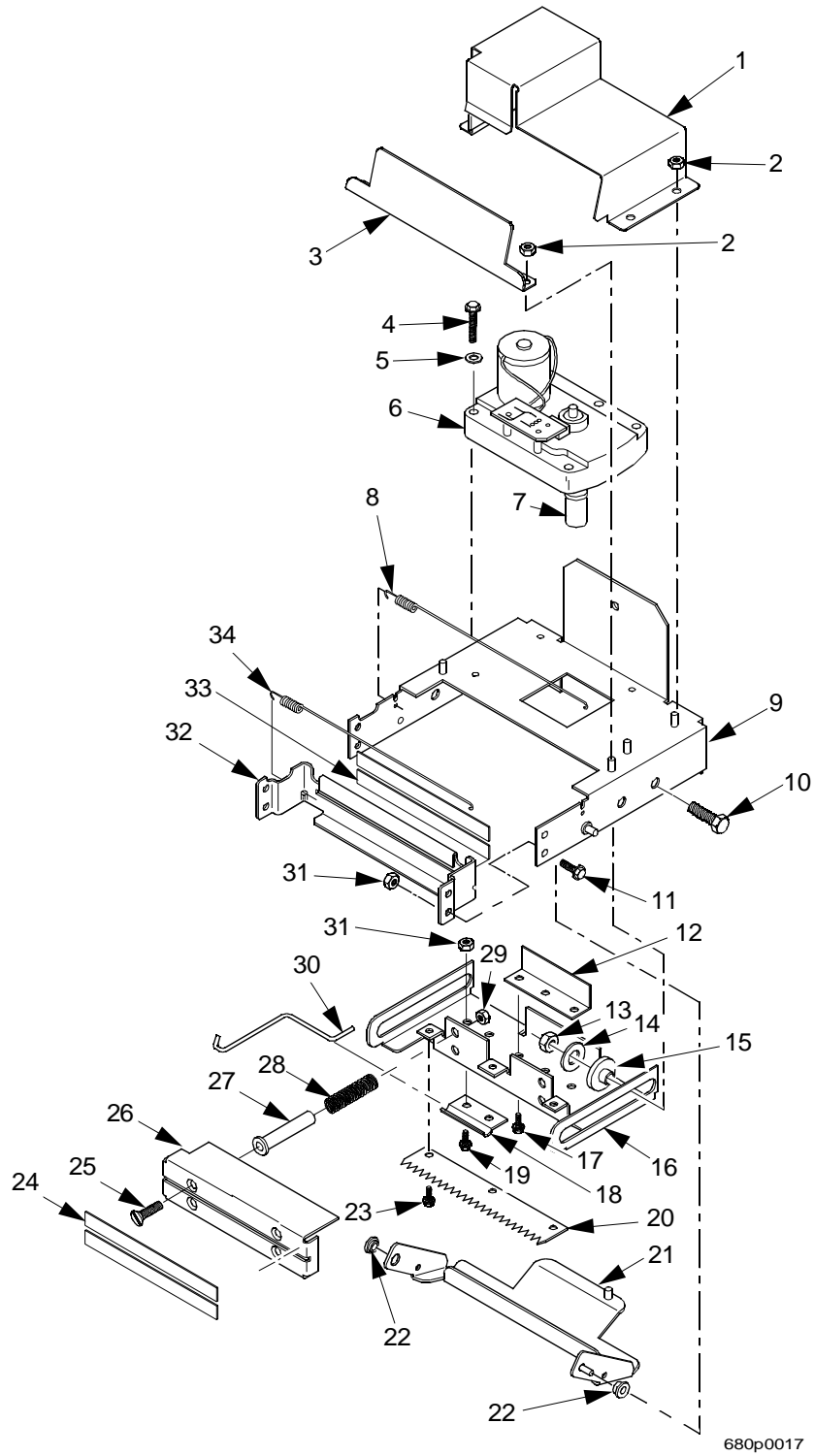


Figure 14. Paper Cutter Assembly

TABLE 14. PAPER CUTTER ASSEMBLY

INDEX	PARTNUMBER	DESCRIPTION	QTY
-	6804082	PAPER CUTTER ASSEMBLY	REF
1	6804047	COVER-MOTOR	1
2	4402043	NUT #8-32 W/LW-SS	2
3	6804046	DEFLECTOR-CUTTER	1
4	1457027	SCREW #8-32 X.81 HEX HD - T/F	3
5	9900034	WASHER-STEEL-3/8 X.170 X.032	3
6	1577038	MOTOR & PC BOARD ASSEMBLY	1
7	6233058	CRANK ARM AND ROLLER ASSEMBLY	1
8	6804023	SPRING - PAPER CUTTER	1
9	6804068	BRACKET-MOTOR-CUTTER	1
10	6233021	SCREW-1/4-20 X.5 - HEX HD	4
11	6234295	SCREW #8-32 X.38 - HHS W/WL	4
12	6804029	BRACKET-CAM	1
13	4041241	NUT 1/4-20 - SELF LOCKING	4
14	6404034	WASHER -.687 O.D. X.265 I.D.	4
15	6804086	BUSHING	2
16	6804085	SLIDE-CUTTER	1
17	3102422	SCREW #8-32 X .38 - HHS W/WL	3
18	6804033	RETAINER-WIRE	1
19	6234295	SCREW #8-32 X .38 - HHS W/WL	2
20	6804036	BLADE-CUTTER	1
21	6804096	SWEEP-PAPER CUTTER	1
22	6804034	BUSHING-SWEEP	2
23	3102422	SCREW #8-32 X 3/16 - THS - SS	3
24	6804072	PAD-CUTTER-4.18 X .38	2
25	6804080	SCREW-#6-32 X 1.25L.-FLAT HD.	4
26	6804077	RETAINER-PADS	1
27	6804079	BUSHING- .218/.188 X .938	4
28	6234614	COMPRESSION SPRING-PAPER MECH SHAFT	4
29	6104429	NUT #6-32 - K EPS - SS - EXT LW	4
30	6804035	WIRE-CUTTER	1
31	4402043	NUT #8-32 W/LW-SS	6
32	6804071	STOP-CUTTER-PADS	1
33	6804072	PAD-CUTTER-4.18 X .38	2
34	6804083	SPRING EXTENSION-STOP	1
-	6804070	STOP ASSEMBLY-PADS (INCLUDES INDEX 32-34)	1
-	6804084	RETAINER & PADS ASSEMBLY - SLIDE (INCLUDES INDEX 16, 24-29)	1

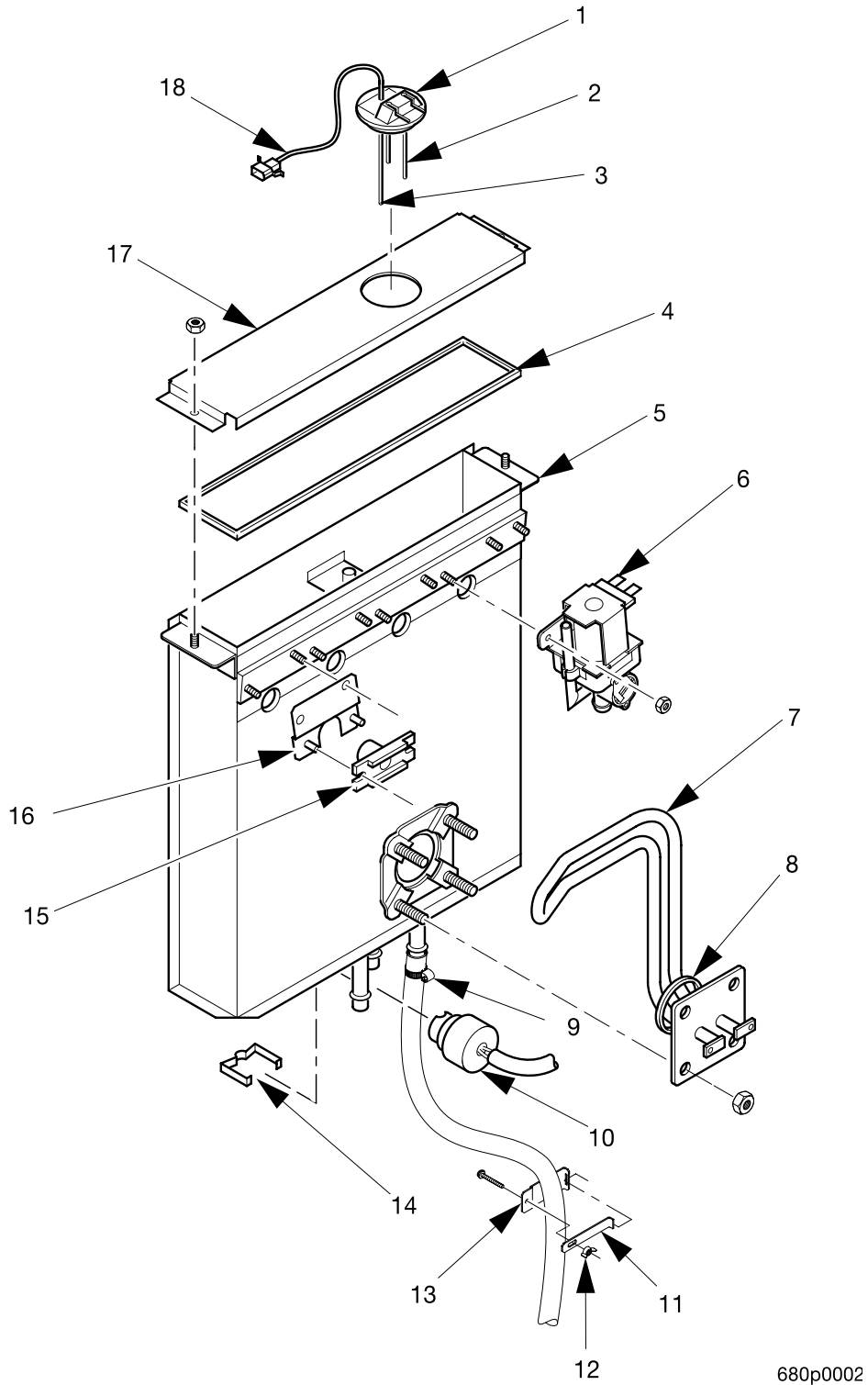


Figure 15. Water Tank Assembly Detail

680p0002

TABLE 15. WATER TANK ASSEMBLY DETAIL

INDEX	PART NUMBER	DESCRIPTION	QTY
-	6808022	BASIC WATER TANK ASSEMBLY - 2 VALVE	REF
	6808029	WATER TANK ASSEMBLY - 2 VALVE - 230 V	
1	6808003	MOUNTING - LEVEL & TEMP - HWT	1
2	6808006	PROBE - LEVEL - LOW - HWT	1
3	6808005	PROBE - LEVEL - HIGH - HWT	1
4	6808002	GASKET - WATER TANK	1
5	6808019	WELD ASSEMBLY - HOT WATER TANK	1
6	6238112X	VALVE ASSEMBLY - HWT - 115 V	-
	6238116X	VALVE ASSEMBLY - HWT - 230 V	
	NOTE:	TANK INCLUDES (1) FOR HOT WATER TANK INCLUDES (1) FOR FRESH BREW OR FIRST FREEZE DRY SELECTION ADD (1) FOR SECOND FREEZE DRY SELECTION ADD (1) FOR CHOCOLATE SELECTION	
7	6808001	HEATER - 1250 WATT - 120 V	1
	6808028	HEATER - 1250 WATT - 230 V	
8	6238042	GASKET - HEATER	1
9	6158063	CLAMP - HOSE	1
10	6849014	THERMOSTAT ASSEMBLY - AUTO RESET	1
11	6408129	PLATE - CLAMP - TOP	1
12	3103133	WING NUT #8-32 STAINLESS	1
13	6408127	PLATE ASSEMBLY - CLAMP	1
14	6808023	CLAMP - THERMOSTAT - 3/8 O.D.	1
15	6238045	PLUG ASSEMBLY - HOT WATER VALVE USED TO PLUG VALVE POSITION WHEN WATER VALVE IS NOT PRESENT	-
16	6808025	RETAINER ASSEMBLY - PLUG - HOT WATER TANK (USED WITH ITEM # 15)	-
17	6808016	LID - HOT WATER TANK	1
18	6808004	SENSOR - TEMPERATURE - HWT	1
-	6808007	INSULATION - HOT WATER TANK (NOT SHOWN)	1

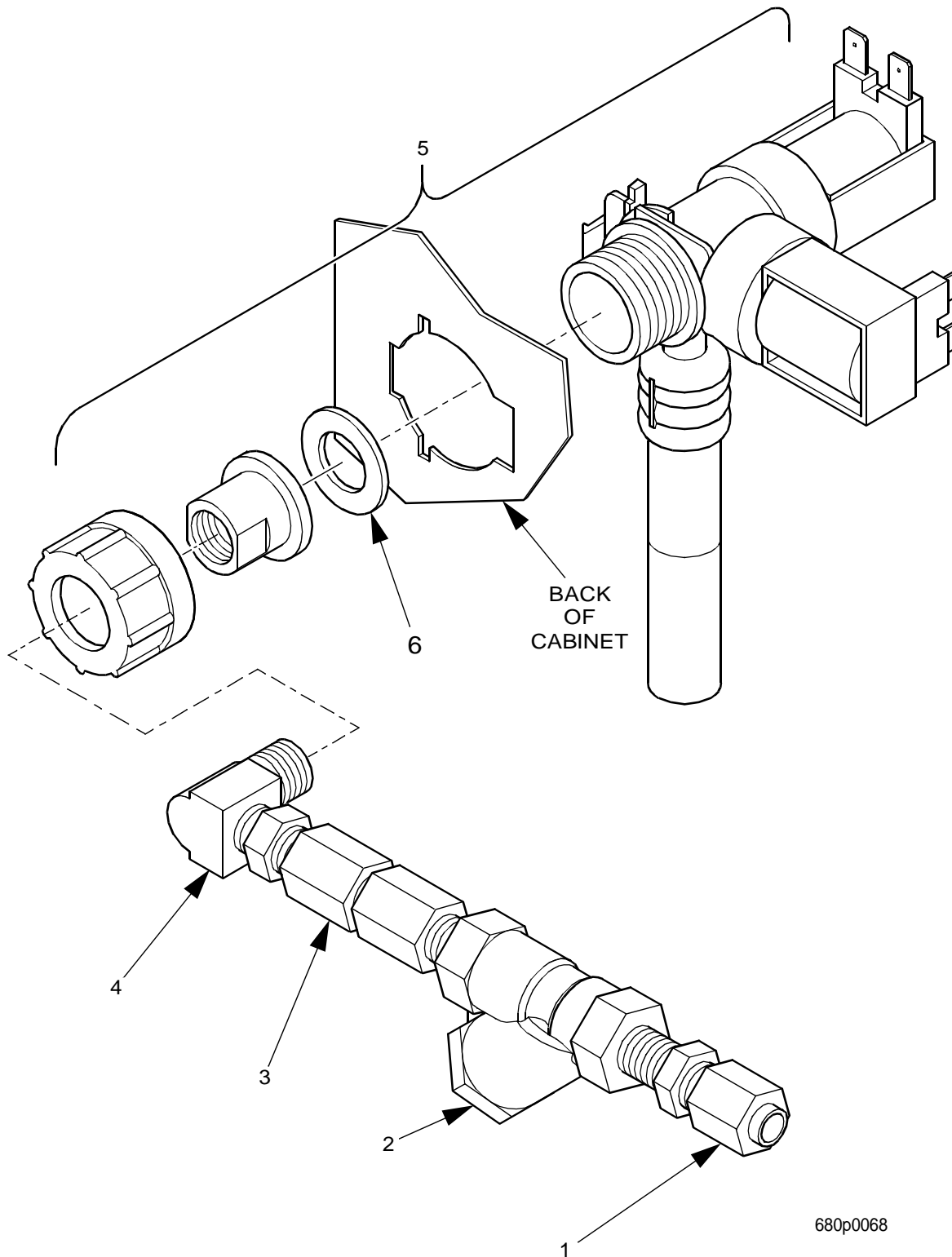


Figure 16. Check Valve Assembly and Inlet Valve Assembly

TABLE 16. CHECK VALVE ASSEMBLY AND INLET VALVE ASSEMBLY

INDEX	PART NUMBER	DESCRIPTION	QTY
1	6408119	MALE CONCTOR-BRASS #4-4-FBI2-B	1
2	6808024	STRAINR-100 MESH	1
3	6808020	CHECK VALVE-DUAL-W/.008 SPRING	1
4	3128303	90 STREET ELBOW 1/4 NPTF	1
5	6808031	INLET VALVE ASSEMBLY - 115 V	1
	6808032	INLET VALVE ASSEMBLY - 230 V	
6	6808030	WASHER-SILICONE-.473 ID X .945 OD (PART OF INDEX 5)	1

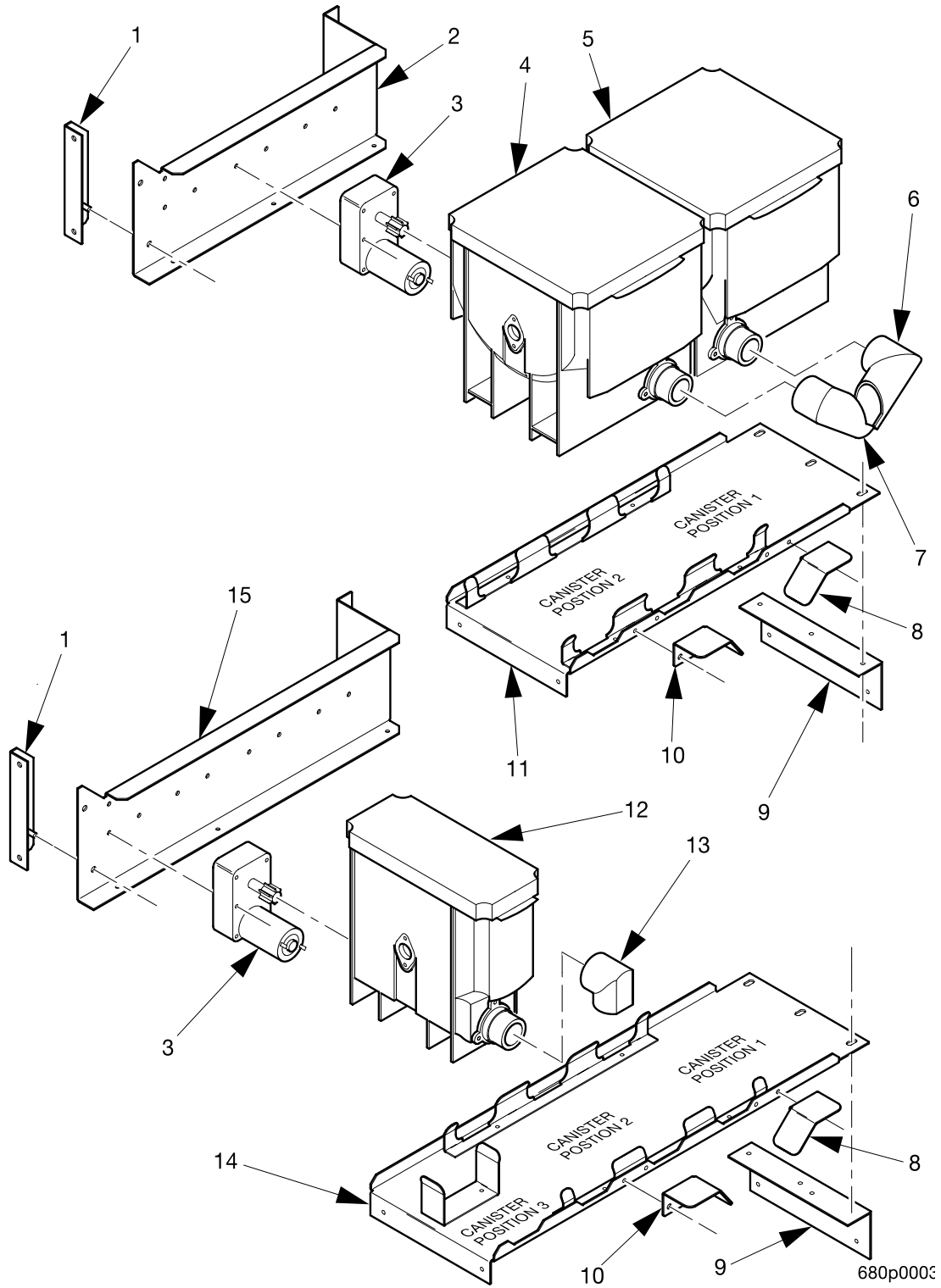


Figure 17. Product Shelf Assemblies

TABLE 17. PRODUCT SHELF ASSEMBLIES

INDEX	PART NUMBER	DESCRIPTION	QTY
1	6801067	BRACKET - MOUNTING - MOTOR SHELF (CAFÉ III)	1
2	6801068	SHELF - MOTOR MOUNTING (CAFÉ III)	1
3	6807025	MOTOR - CANISTER - 24V/80 RPM (CAFÉ III)	2
		MOTOR - CANISTER - 24V/80 RPM (CAFÉ IV)	3
4	6807027	CANISTER - LARGE - LH	*
5	6807026	CANISTER - LARGE - RH	*
6	6807029	CHUTE - CANISTER - RH	*
7	6807030	CHUTE - CANISTER - LH	*
8	6801070	STOP - CANISTER SPOUT - RIGHT (TABLE 18)	-
9	6801014	SUPPORT - CANISTER SHELF - RT	1
10	6801069	STOP - CANISTER SPOUT - LEFT (TABLE 18)	-
11	6801084	WELD ASSEMBLY - GUIDE - CANISTER SHELF (CAFÉ III)	1
12	6807028	CANISTER - SMALL - CENTER	*
13	6807031	CHUTE - CANISTER - CENTER	*
14	6821091	WELD ASSEMBLY - GUIDE - CANISTER SHELF (CAFÉ IV)	1
15	6821086	SHELF - MOTOR MOUNTING (CAFÉ IV)	1

* QUANTITIES VARY. (TABLE 18)

TABLE 18. CANISTER, CHUTE, AND CANISTER SPOUT STOP USAGE

SERIES	MODEL	PRODUCT CONFIGURATION	CANISTER POSITION	CANSITER	CHUTE	SPOUT STOP
CAFÉ III	680	FB-FB	1	6807026	6807029	6801070
			2	6807027	6807030	6801069
		FB-CHOC	1	6807026	6807029	6801070
			2	6807026	6807031	N/A
	681	FD-CHOC	1	6807026	6807031	N/A
			2	6807026	6807031	N/A
CAFÉ IV	682	FB-FB-CHOC	1	6807026	6807029	6801070
			2	6807027	6807030	6801069
			3	6807028	6807031	N/A
		FB-FD-CHOC	1	6807026	6807029	6801070
			2	6807026	6807031	N/A
			3	6807028	6807031	N/A
	683	FD-FD-CHOC	1	6807026	6807031	N/A
			2	6807026	6807031	N/A
			3	6807028	6807031	N/A

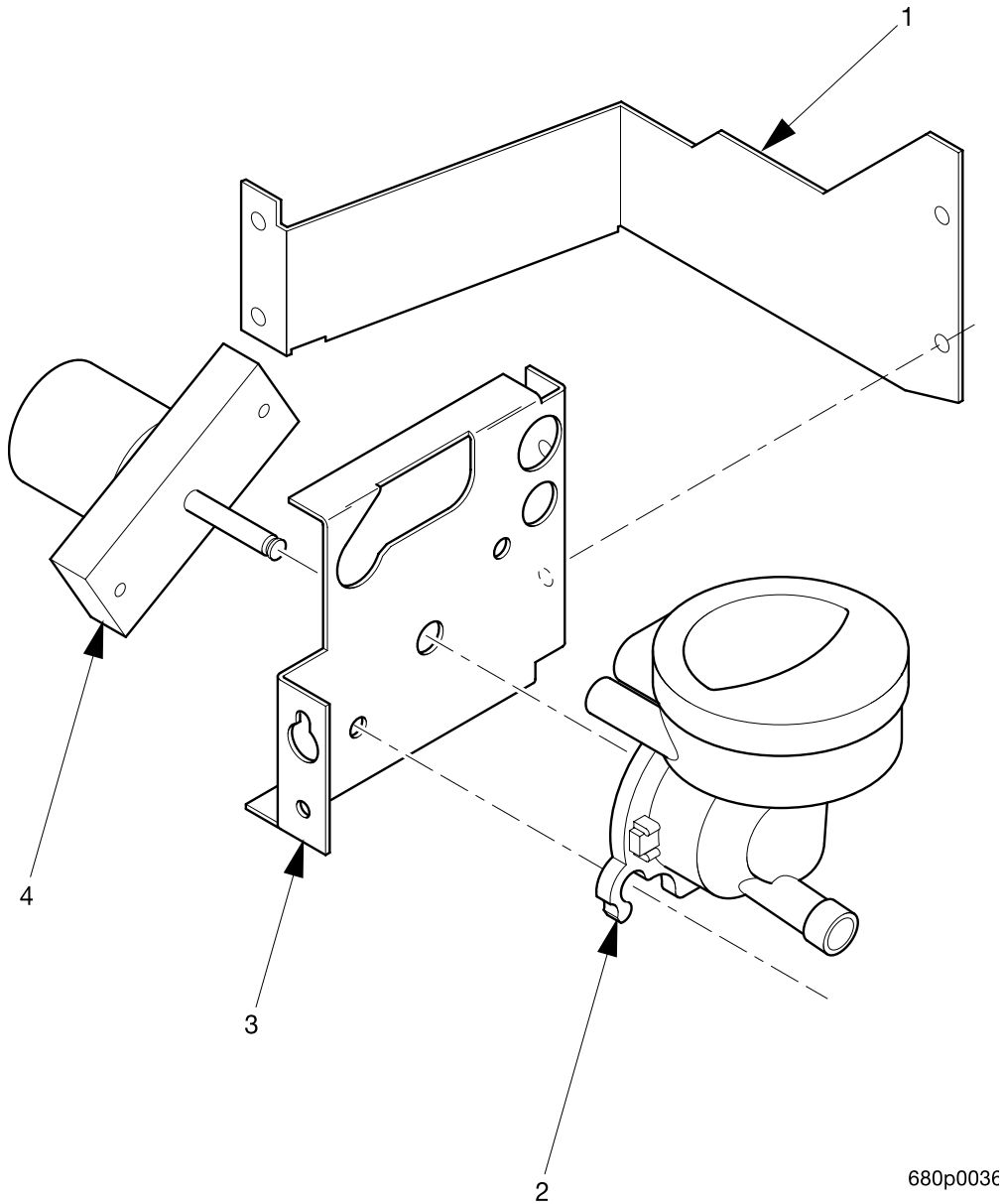


Figure 19. Mixing Bowl, Vent & Whipper Assemblies - Fresh Brew - Café III

TABLE 19. MIXING BOWL, VENT & WHIPPER ASSEMBLIES - FRESH BREW - CAFÉ III

INDEX	PART NUMBER	DESCRIPTION	QTY
1	6801018	SUPPORT-SINGLE WHIP/MIX	1
2	-	MIXING BOWL WITH WHIPPER * USE WITH THE CHOCOLATE SELECTION # USE WITH EACH F.D. SELECTION (FIGURE 23)	* #
3	6801017	MOUNTING-SINGLE WHIP/MIX	1
4	6807009	MOTOR-WHIPPER-CAFÉ 3 AND 4 * USE WITH THE CHOCOLATE SELECTION # USE WITH EACH F.D. SELECTION	* #

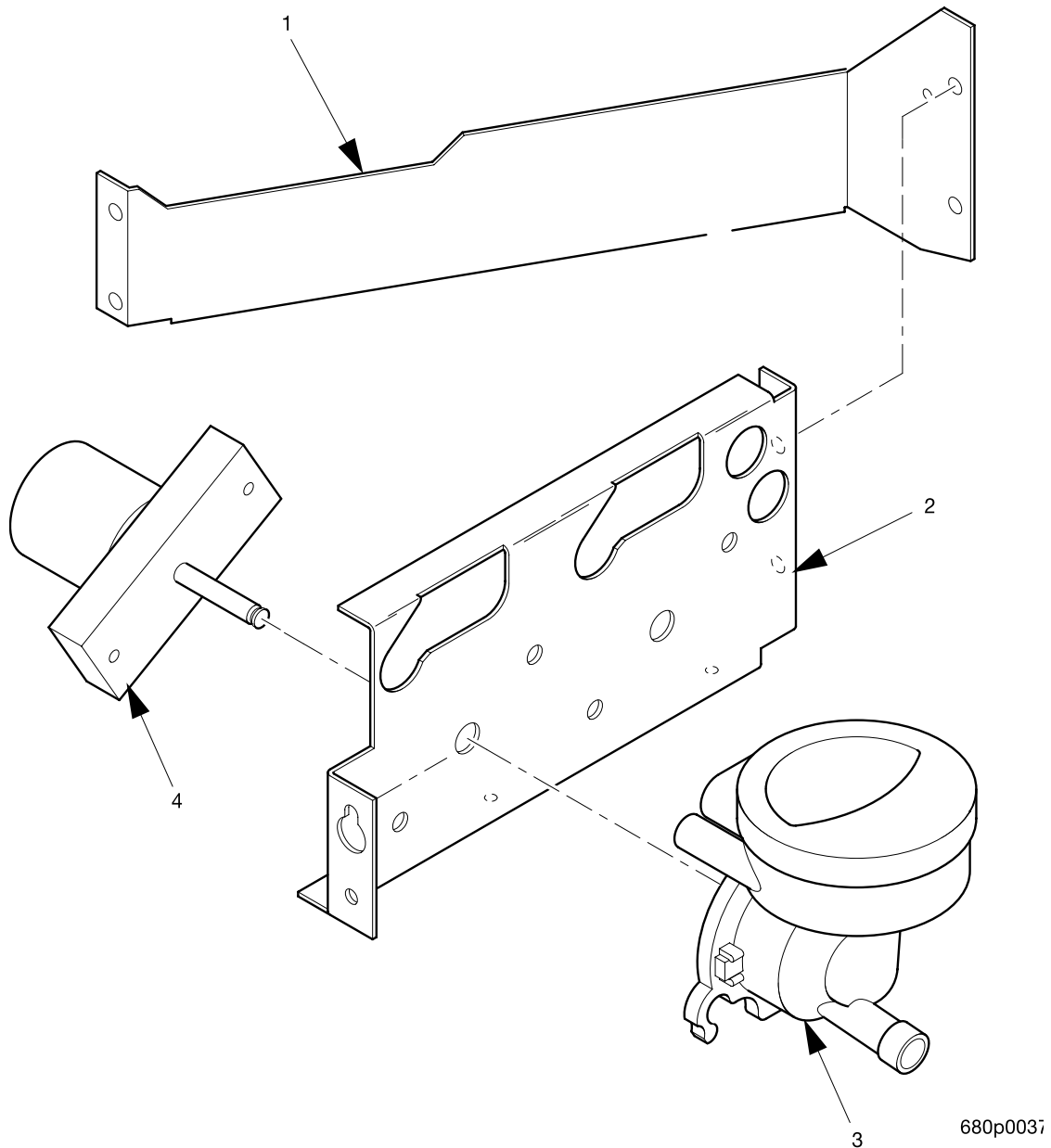
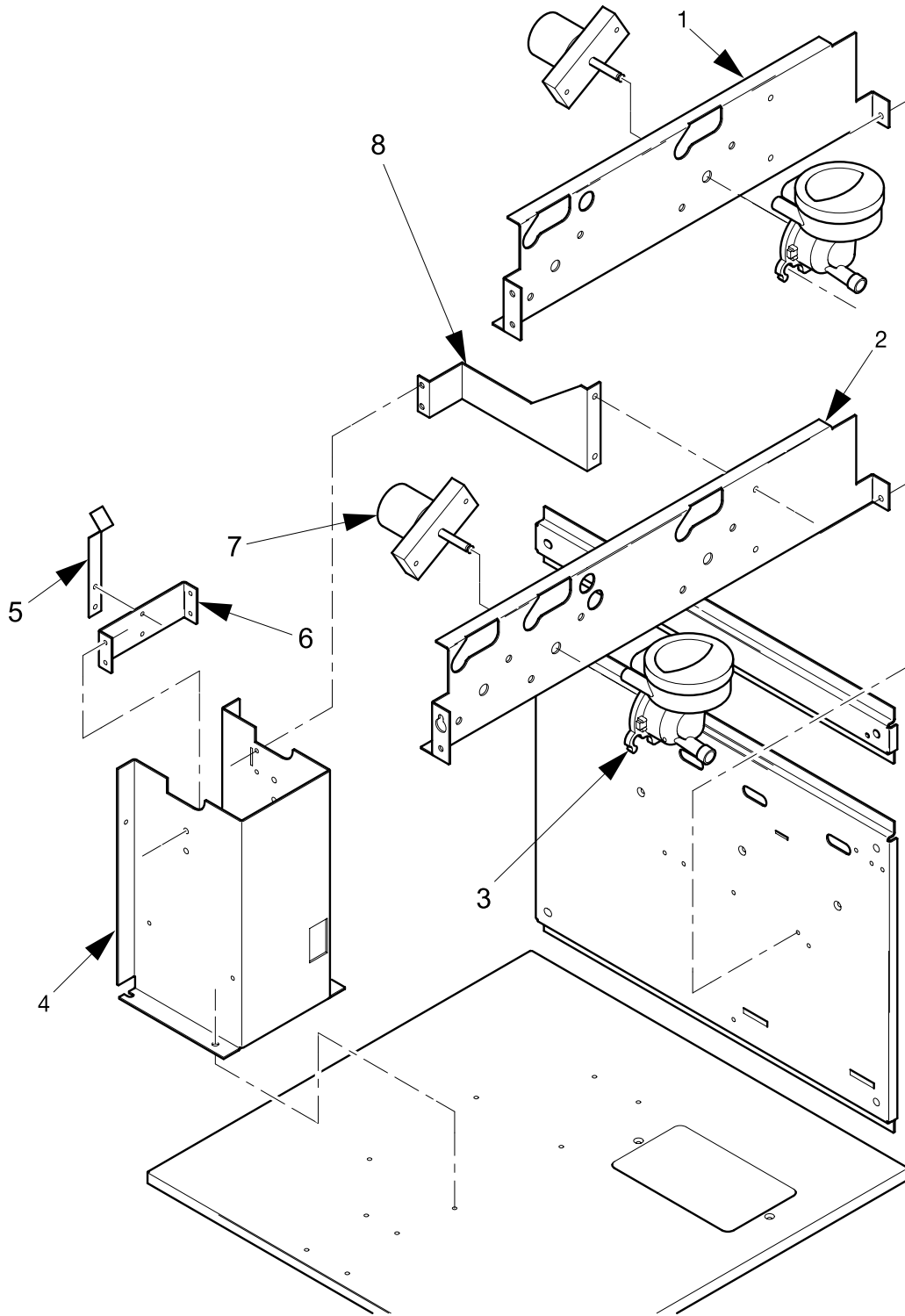


Figure 20. Mixing Bowl, Vent & Whipper Assemblies - Fresh Brew Café IV

TABLE 20. MIXING BOWL, VENT & WHIPPER ASSEMBLIES - FRESH BREW CAFÉ IV

INDEX	PART NUMBER	DESCRIPTION	QTY
1	6821008	SUPPORT-WHIPPER/MIX BOWL-CAFÉ IV	1
2	6821007	MOUNTING-DUAL WHIP/MIX BOWL-CAFÉ IV	1
3	-	MIXING BOWL WITH WHIPPER * USE ONE WITH THE CHOCOLATE SELECTION # USE ONE WITH EACH F.D. SELECTION (FIGURE 23)	* #
4	6807009	MOTOR-WHIPPER-CAFÉ 3 AND 4 * USE ONE WITH THE CHOCOLATE SELECTION # USE ONE WITH EACH F.D. SELECTION (FIGURE 23)	* #

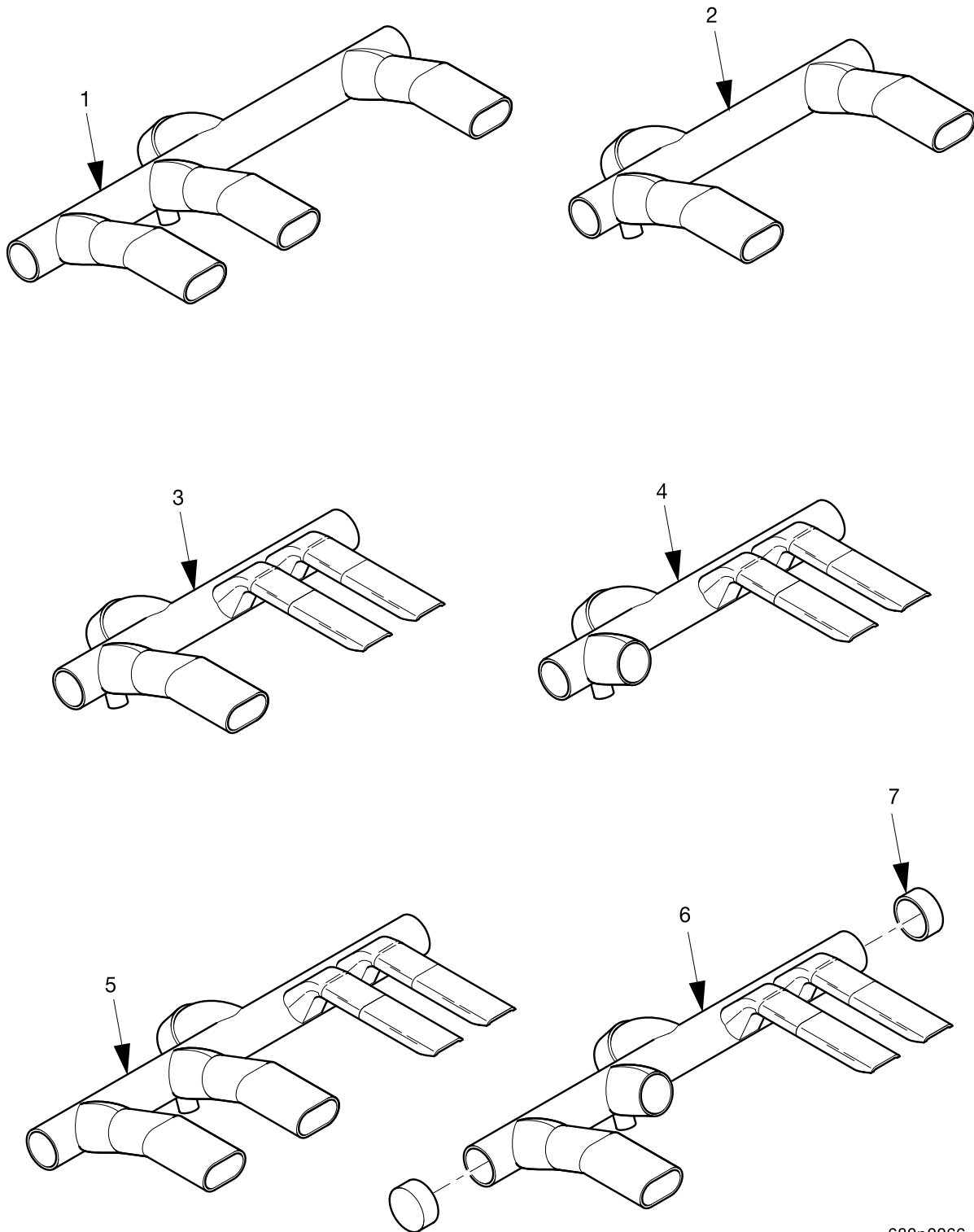


680p003E

Figure 21. Mixing Bowl, Vent & Whipper Assemblies - Freeze Dry Café III and IV

TABLE 21. MIXING BOWL, VENT & WHIPPER ASSEMBLIES - FREEZE DRY CAFÉ III AND IV

INDEX	PART NUMBER	DESCRIPTION	QTY
1	6811000	MOUNTING-WHIPPER/MIX BOWL-FD (CAFÉ III)	1
2	6831000	MOUNTING-WHIPPER/MIX BOWL-FD (CAFÉ IV)	1
3	-	MIXING BOWL WITH WHIPPER * USE ONE WITH THE CHOCOLATE SELECTION # USE ONE WITH EACH F.D. SELECTION (FIGURE 23)	* #
4	6811002	SUPPORT-EXHAUST MANIFOLD	1
5	6237215	LOCKING SPRING-GRINDER	1
6	6811003	MOUNTING-SPRING CLIP-MANIFOLD	1
7	6807009	MOTOR-WHIPPER-CAFÉ 3 AND 4 * USE ONE WITH THE CHOCOLATE SELECTION # USE ONE WITH EACH F.D. SELECTION	* #
8	6811001	SUPPORT-WHIP/MIXING BOWL-FD	1



680p0066

Figure 22. Vents for Alternate Configurations

TABLE 22. VENTS FOR ALTERNATE CONFIGURATIONS

INDEX	PART NUMBER	DESCRIPTION	QTY
1	6837000	VENT-FD-CAFÉ 4 (CAFÉ IV - FD/FD/CHOC)	1
2	6817000	VENT-FD-CAFÉ 3 (CAFÉ III - FD/FD)	
3	6807016	VENT-SINGLE FB-CAFÉ 3 (CAFÉ III - FB/CHOC)	
4	6807015	VENT-DUAL FB-CAFÉ 3 (CAFÉ III - FB/FB)	
5	6827000	VENT-DUAL FB-CAFÉ 4 (CAFÉ IV - FB/FD/CHOC)	
6	6827001	VENT-DUAL FB-W/CHOC-CAFÉ 4 (CAFÉ IV - FB/FB/CHOC)	
7	6237347	VINYL CAP	1

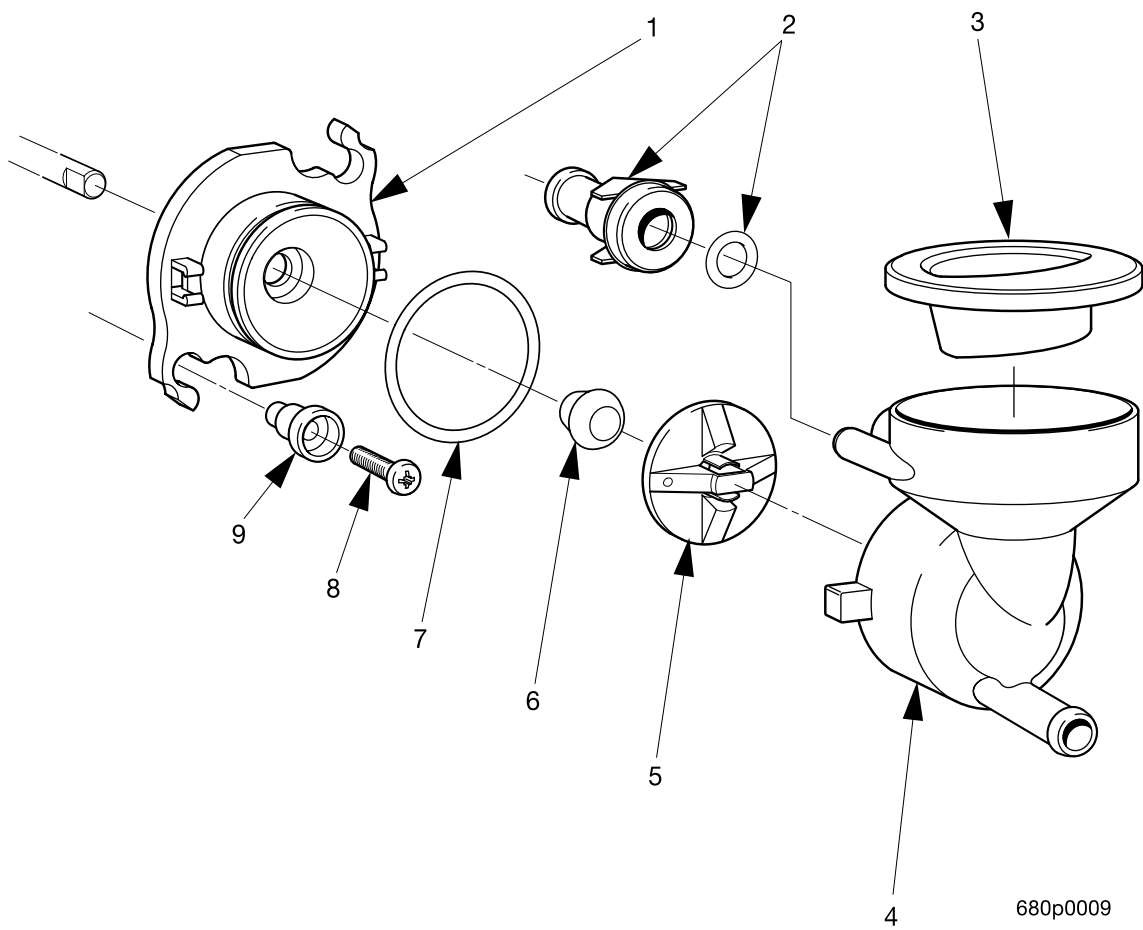


Figure 23. Mixing Bowl With Whipper

TABLE 23. MIXING BOWL WITH WHIPPER

INDEX	PART NUMBER	DESCRIPTION	QTY
1	6807002	BASE - MIXING BOWL/WHIPPER	1
2	6807010	BULKHEAD ADAPTER WITH "O" RING	1
3	6807000	CAP - MIXING BOWL/WHIPPER - STEAM	1
4	6807001	BODY - MIXING BOWL/WHIPPER	1
5	6807003	IMPELLER - WHIPPER	1
6	6807004	SEAL - WHIPPER BASE	1
7	6807005	SEAL - "O" RING - WHIPPER BASE	1
8	6332052	SCREW #8-16 X 1.25 PLASTITE	2
9	6807006	SCREW CAP	2

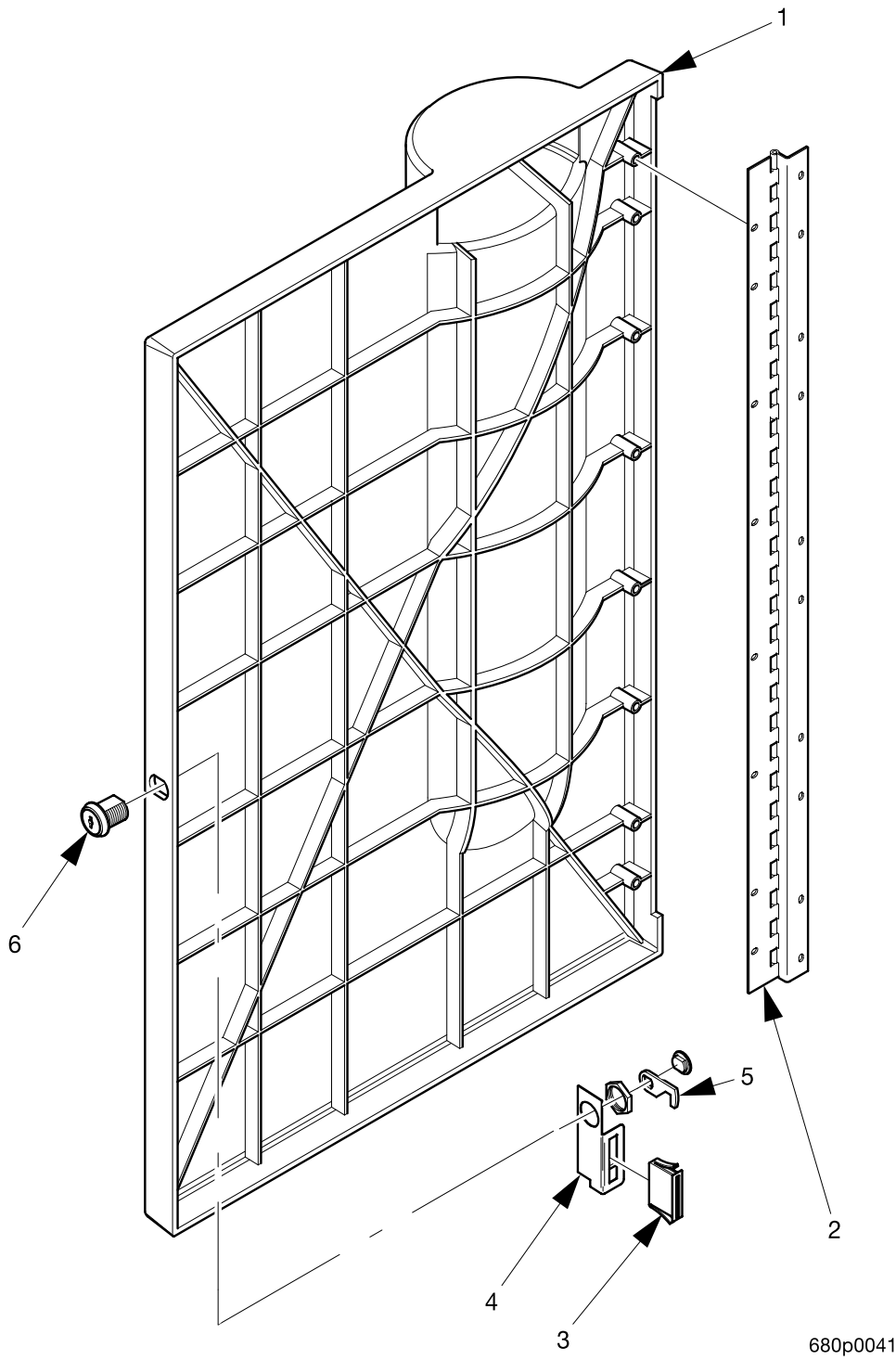


Figure 24. Base Door Assembly

TABLE 24. BASE DOOR ASSEMBLY

INDEX	PART NUMBER	DESCRIPTION	QTY
1	6822055	DOOR - BASE CABINET - WARM WHITE	1
	6822056	DOOR - BASE CABINET - CHARCOAL	
	6822057	DOOR - BASE CABINET - GLACIER SILVER	
2	6822052	HINGE - DOOR - BASE - WARM WHITE	1
	6822053	HINGE - DOOR - BASE - CHARCOAL	
	6822054	HINGE - DOOR - BASE - GLACIER SILVER	
3	6801051	MAGNETIC CATCH - SNAP IN	1
4	6822011	PLATE - MAGNET MOUNTING	1
5	6401053	CAM - LOCK - CHICAGO #6 - 365Z	1
6	6801052	LOCK - DOOR - #1801 - KEY CODE NV 407	1
-	2221920	KEY - CHICAGO LOCK #1801 NV 407 (NOT SHOWN)	1

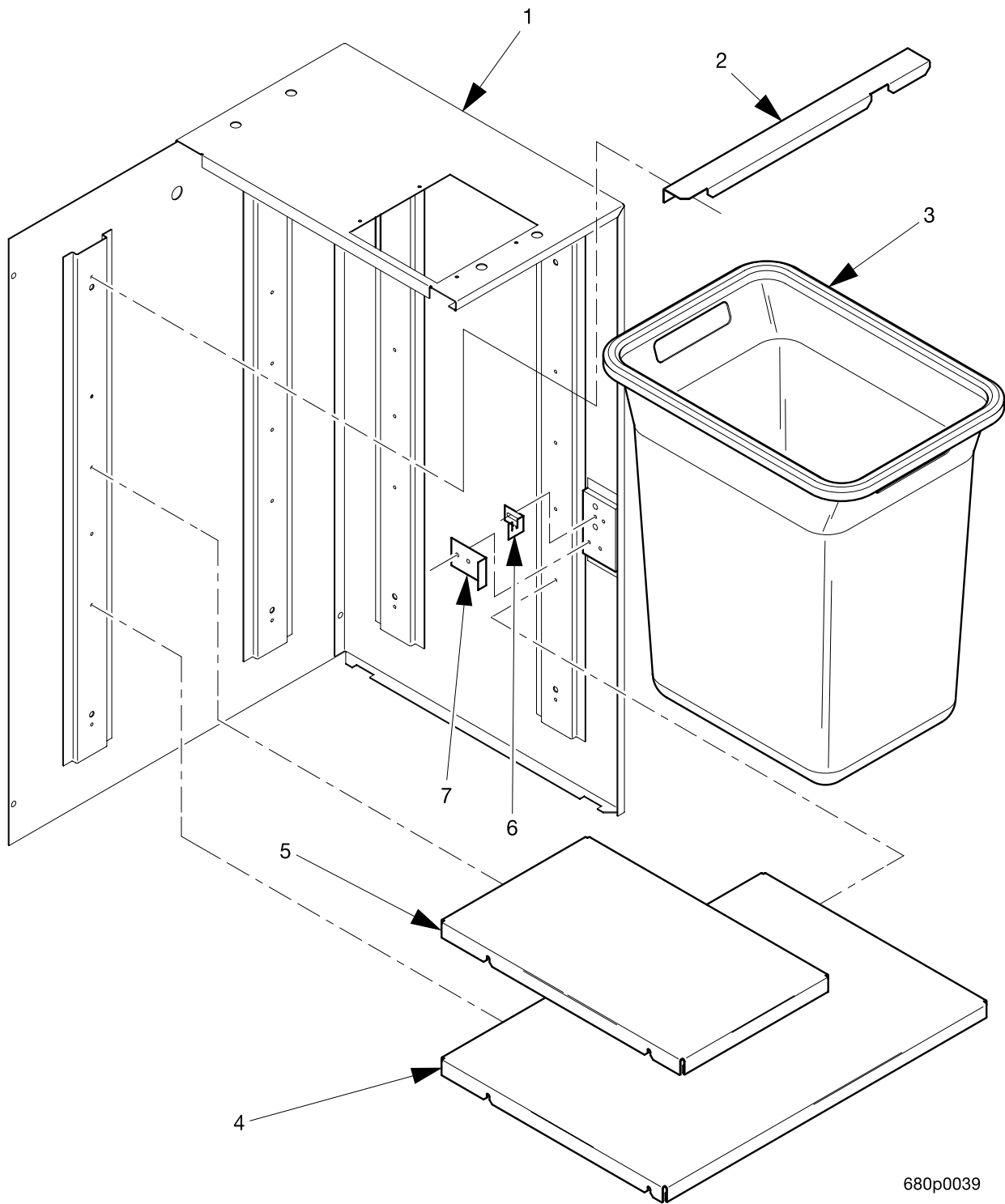


Figure 25. Base Cabinet Assembly

TABLE 25. BASE CABINET ASSEMBLY

INDEX	PART NUMBER	DESCRIPTION	QTY
1	6821072	BASE CABINET - WARM WHITE	1
	6821073	BASE CABINET - CHARCOAL	
	6821074	BASE CABINET - GLACIER SILVER	
2	6821079	SPACER - BUCKET - GROUNDS	1
3	3631172	BUCKET - GROUNDS	1
4	6821071	SHELF - BASE CABINET	1
5	6821078	SHELF - BASE CABINET - HALF	1
6	6801054	LATCH - DOOR LOCK	1
7	6801055	LATCH - DOOR MAGNET	1

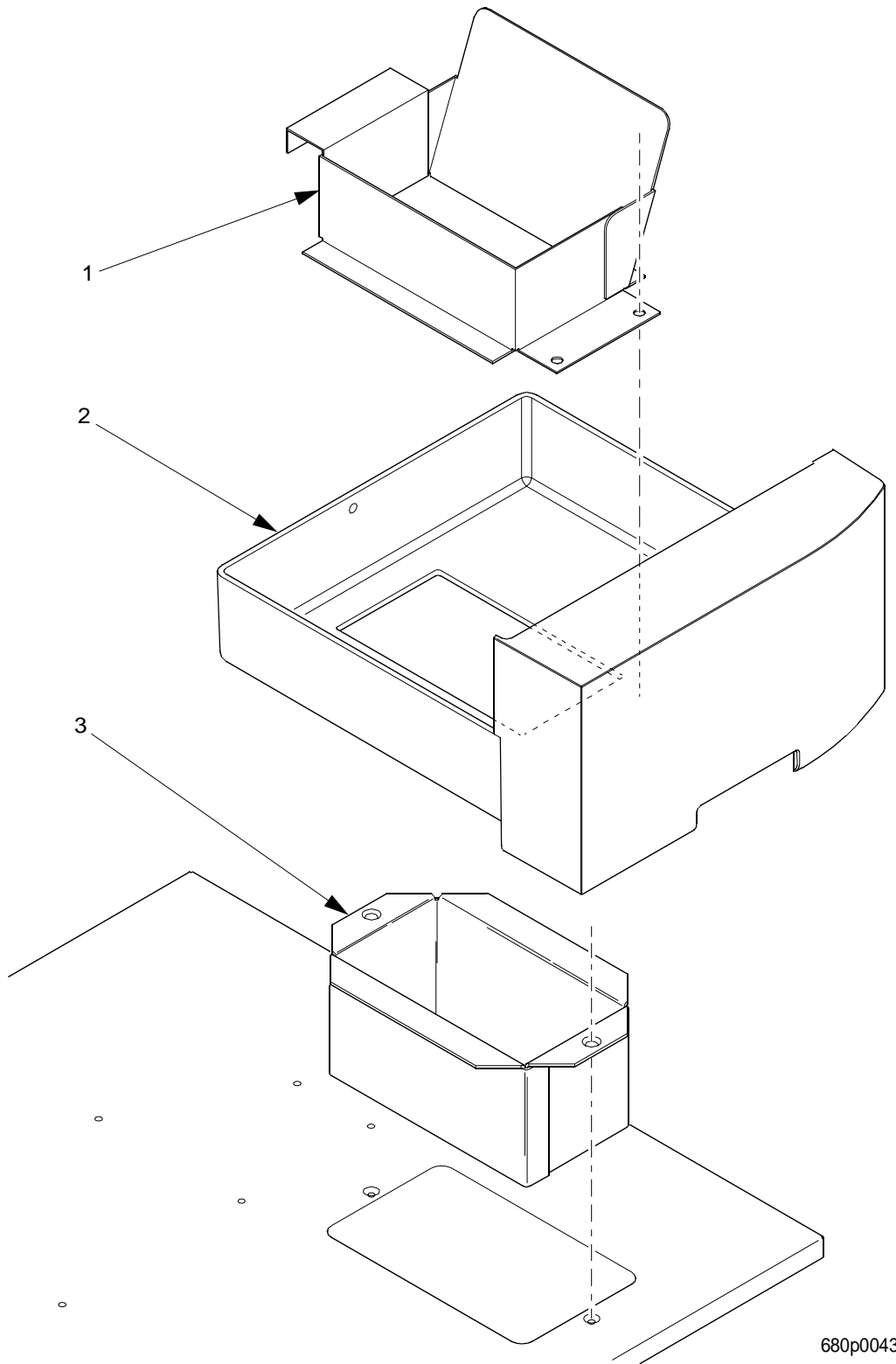
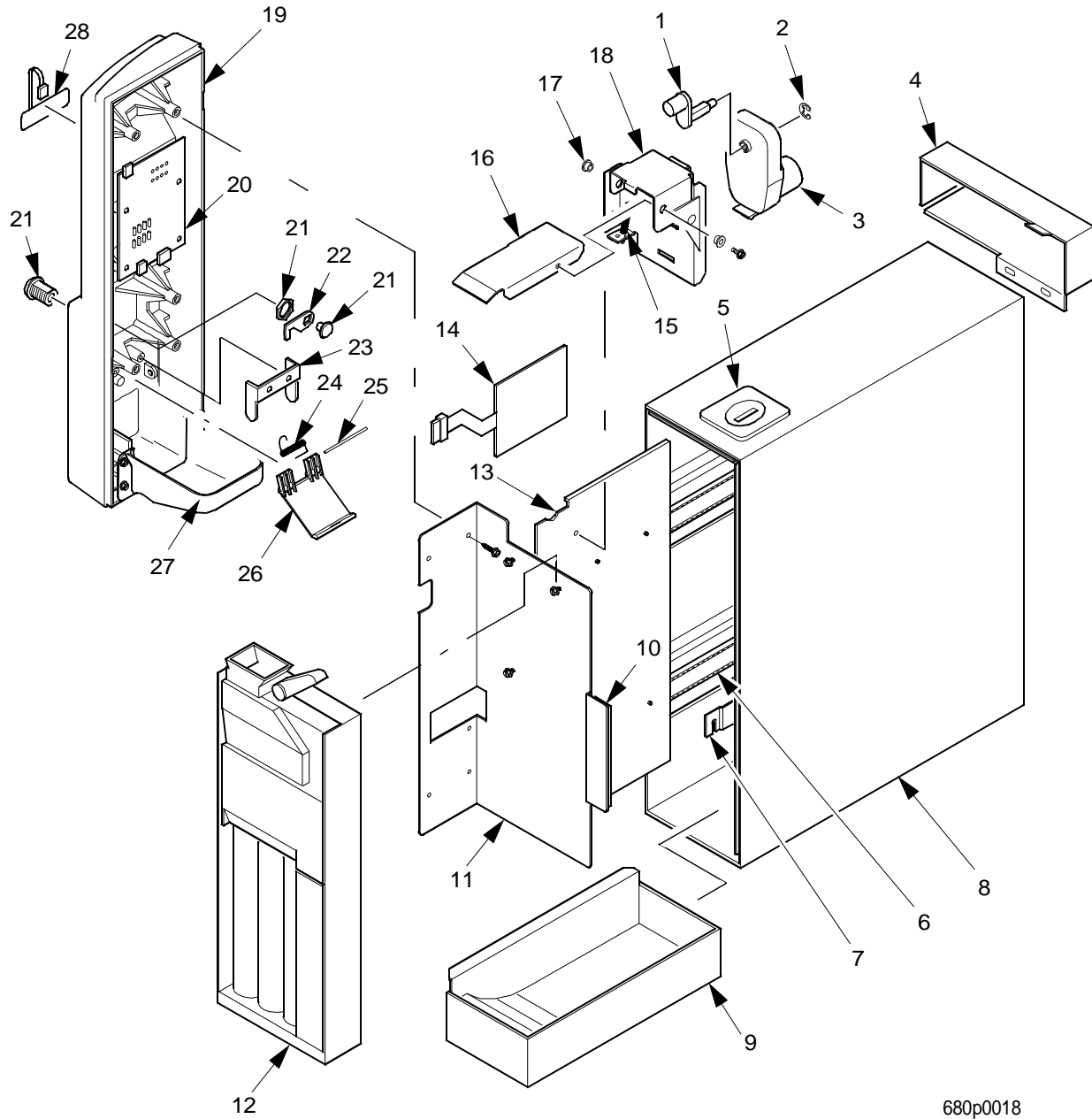


Figure 26. Upper Cabinet Interface Components

TABLE 26. UPPER CABINET INTERFACE COMPONENTS

INDEX	PART NUMBER	DESCRIPTION	QTY
1	6802076	ENCLOSURE ASSEMBLY - GROUNDS TRAY	1
2	6802077	GROUNDS TRAY - CUTOUT - WARM WHITE - CAFÉ III	1
	6802078	GROUNDS TRAY - CUTOUT - CHARCOAL - CAFÉ III	
	6802079	GROUNDS TRAY - CUTOUT - GLACIER SILVER CAFÉ III	
	6822033	GROUNDS TRAY - CUTOUT - WARM WHITE - CAFÉ IV	
	6822034	GROUNDS TRAY - CUTOUT - CHARCOAL - CAFÉ IV	
	6822035	GROUNDS TRAY - CUTOUT - GLACIER SILVER CAFÉ IV	
3	6801080	ENCLOSURE ASSEMBLY - GROUNDS OPENING	1



680p0018

Figure 27. Coin Module

TABLE 27. COIN MODULE

INDEX	PART NUMBER	DESCRIPTION	QTY
1	6233058	CRANK ARM AND ROLLER ASSEMBLY	1
2	9900418	RETAINING RING - REINF TYPE E	1
3	4977312	MOTOR AND PC BOARD ASSEMBLY	1
4	6805043	COVER-HARNESS	1
5	6805005	INSERT-COIN	1
6	6801053	SLIDE-CANISTER SHELF	2
7	6805030	BRACKET-COIN MODULE-CATCH/LOCK	1
8	6805031	COIN MODULE CABINET ASSEMBLY-WARM WHITE	1
	6805032	COIN MODULE CABINET ASSEMBLY-CHARCOAL	
	6805033	COIN MODULE CABINET ASSEMBLY-SILVER METALIC	
9	6805026	WELD ASSEMBLY-COIN BOX W/RAMP	1
10	3122056	MAGNET-RETAINER-COIN CHANGER	1
11	6805047	WELD ASSEMBLY-BRACKET/HINGE ASSEMBLY-COIN MECH	1
12	5900243	COIN UNIT-TRC6512-MDB-CONSIGNMENT	1
	5900213	COIN UNIT-COINCO-9302-GX-MDB	
	5900209	COIN UNIT-CONLUX-USLZ-001-MDB	
	5900244	COIN UNIT-COINCO-USD-G701-MDB	
	5900214	COIN UNIT - MARS - VN 4510 - MDB	
NOTE: NATIONAL VENDORS DOES NOT PROVIDE COIN MECHANISMS FOR INTERNATIONAL APPLICATIONS.			
13	6805020	WELD ASSEMBLY-HINGE PLATE ASSEMBLY-COIN MOD	1
14	6805001	MONETARY KEYPAD ASSEMBLY	1
15	6404067	SPRING-EXTENSION	1
16	6805025	ARM-SCAVENGER	1
17	6401024	BEARING-ACCESS COVER	2
18	6805045	WELD ASSEMBLY-BRACKET-MOTOR	1
19	6805034	DOOR-COIN MODULE-WARM WHITE	1
	6805035	DOOR-COIN MODULE-CHARCOAL	
	6805036	DOOR-COIN MODULE-SILVER METALIC	
20	6806007	PCB ASSEMBLY-PRICE DISPLAY-CAFÉ 2/3	1
21	6801052	LOCK-DOOR #1801 - KEY CODE NV4	1
-	2221920	KEY - CHICAGO LOCK #1801 - NV407 (NOT SHOWN)	1
22	6401053	CAM-LOCK-CHICAGO #6-365Z	1
23	6805004	BRACKET-COIN CUP GATE	1
24	4245083	SPRING-COIN RETURN DOOR	1
25	4245084	SHAFT-DOOR-COIN RETURN	1
26	4245082	GATE-COIN RETURN	1
27	6805050	CUP-COIN RETURN	1
28	6805007	MEMBRANE SWITCH-COIN RETURN/LENS (U.S./U.K.)	1
	6805008	MEMBRANE SWITCH-COIN RETURN/LENS (FRANCE)	
	6805009	MEMBRANE SWITCH-COIN RETURN/LENS (GERMANY)	
	6855049	MEMBRANE SWITCH-COIN RETURN/LENS (FRENCH CANADIAN)	

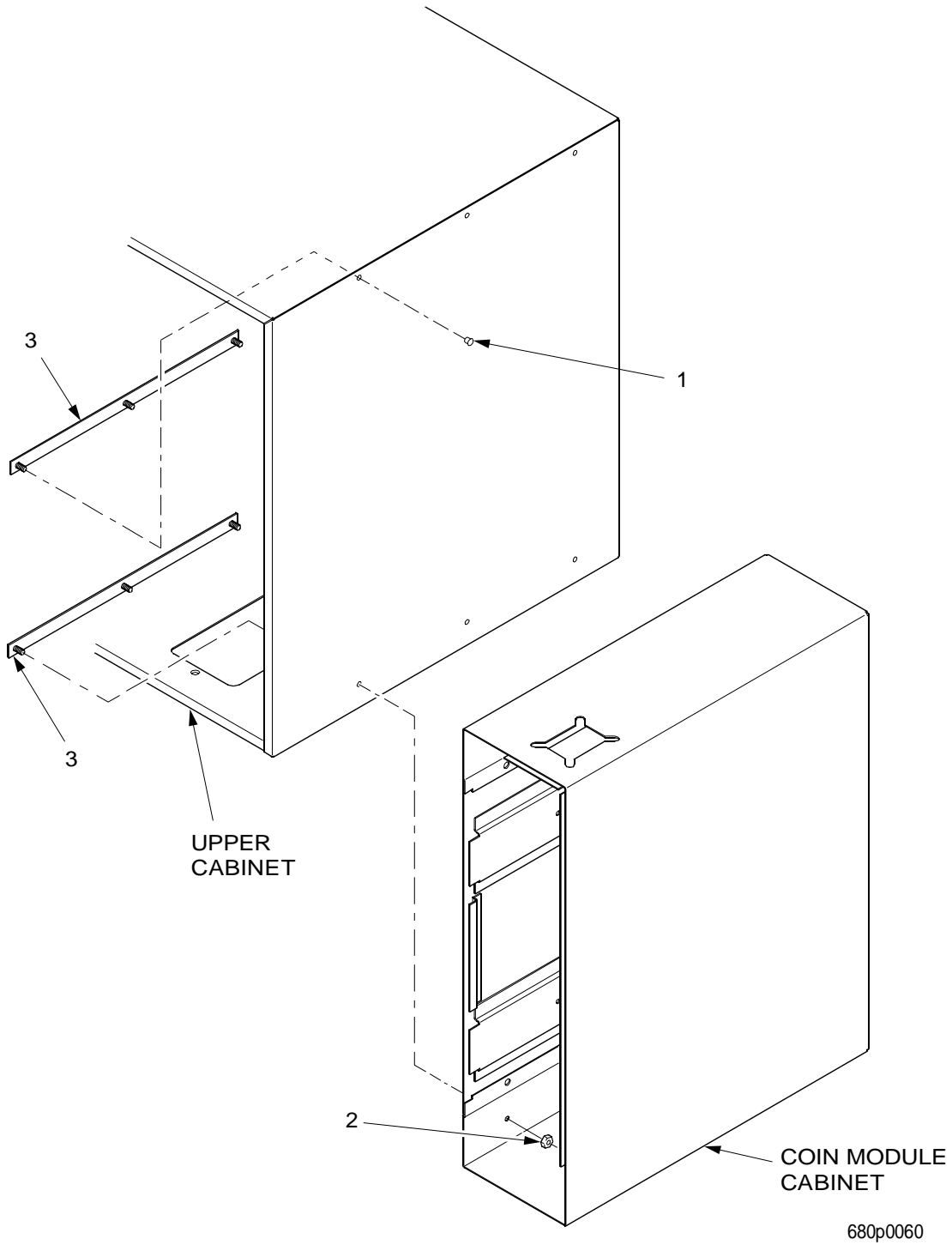


Figure 28. Upper Cabinet and Coin Module Cabinet Interconnection

TABLE 28. UPPER CABINET AND COIN MODULE CABINET INTERCONNECTION

INDEX	PART NUMBER	DESCRIPTION	QTY
1	6801023	PLUG - DOME - BLACK (NO COIN OPTION - CHARCOAL OR GLACIER SILVER CABINET)	6
	6801024	PLUG - DOME - WHITE (NO COIN OPTION - WARM WHITE CABINET)	
2	9900081	NUT - #8-32 KEPS ZINC PLATE (WITH COIN OPTION)	6
3	6805048	WELD ASSY.-PLATE-COIN MOD.CAB. MOD - (WITH COIN OPTION)	2

TABLE 29. LOGO AND LABEL ASSEMBLY

PART NUMBER	DESCRIPTION	QTY
6802006	LABEL - CAFÉ III LOGO	OPT
6822003	LABEL - CAFÉ IV LOGO	OPT
6802070	LABEL-CAFE 3-LOGO/INSTR.-ENGL.	
6802071	LABEL-CAFE 3-LOGO INSTR.-GER	
6802072	LABEL-CAFE 3-LOGO/INSTR-FRENCH	
6802073	LABEL-CAFE 3-LOGO/INSTR-CAN/FR	
6822029	LABEL-CAFE 4-LOGO/INSTRUCTIONS	
6822030	LABEL-CAFE 4-LOGO/INSTR-GERMAN	
6822031	LABEL-CAFE 4-LOGO/INSTR-FRENCH	
6822032	LABEL-CAFE 4-LOGO/INSTR-CAN/FR	

TABLE 30. BAG ASSEMBLY B6800005 - U.S.

PART NUMBER	DESCRIPTION	QTY
6408139	NUT & FERRULE ASSY-BRASS#4BT	1
6408140	TUBE-9082699-1/4 OD-2.00"	1
6408141	FITTING-PI-211208-S(RLC38014	1
6408142	LOCKING CLIP-PI-C1808-R(LC14	1
6408143	LOCKING CLIP-PI-C1812R (LC38	1
6800056	CAFE 3 & 4-SETUP GUIDE	1
6800057	QUICK REFERENCE GUIDE-CAFE 3	1
6802047	LABEL-CAUTION-PULL HERE-CAFE	1
6802065	LABEL-MENU INSERT-ENGLISH	1
6840017	LABEL-PRICE & CUP SZ-CAFE'SY	1
6841073	GASKET-FOAM	1
WD680003	W.D.-CAFE'3 & 4	1

TABLE 31. BAG ASSEMBLY B6800006 - FRENCH CANADIAN

PART NUMBER	DESCRIPTION	QTY
6408139	NUT & FERRULE ASSY-BRASS#4BT	1
6408140	TUBE-9082699-1/4 OD-2.00"	1
6408141	FITTING-PI-211208-S(RLC38014	1
6408142	LOCKING CLIP-PI-C1808-R(LC14	1
6408143	LOCKING CLIP-PI-C1812R (LC38	1
6800056	CAFE 3 & 4-SETUP GUIDE	1
6800057	QUICK REFERENCE GUIDE	1
6802047	LABEL-CAUTION-PULL HERE-CAFE	1
6802068	LABEL-MENU INSERT-CAN/FR	1
6840017	LABEL-PRICE & CUP SZ-CAFE'SY	1
6841073	GASKET-FOAM	1
WD680003	W.D.-CAFE'3 & 4	1

TABLE 32. BAG ASSEMBLY B6800007 - FRANCE

PART NUMBER	DESCRIPTION	QTY
6408139	NUT & FERRULE ASSY-BRASS#4BT	1
6408140	TUBE-9082699-1/4 OD-2.00	1
6408141	FITTING-PI-211208-S(RLC38014	1
6408142	LOCKING CLIP-PI-C1808-R(LC14	1
6408143	LOCKING CLIP-PI-C1812R (LC38	1
6800056	CAFE 3 & 4-SETUP GUIDE	1
6800057	QUICK REFERENCE GUIDE	1
6802051	LABEL-CAUTION-PULL HERE-FR	1
6802067	LABEL-MENU INSERT-FRENCH	1
6840050	LABEL-PRICE & CU SZ-CAFE'-FR	1
6841073	GASKET-FOAM	1
WD680003	W.D.-CAFE'3 & 4	1

TABLE 33. BAG ASSEMBLY B6800008 - GERMANY

PART NUMBER	DESCRIPTION	QTY
WD680003	W.D.-CAFE'3 & 4	1
1300018	BAG PLASTIC	1
6802066	LABEL-MENU INSERT-GERMAN	1
6800056	CAFE 3 & 4-SETUP GUIDE	1
6800057	QUICK REFERENCE GUIDE-CAFE 3	1
6800026	SHEET-QUICK REF.CARD STK (OB	1
6802052	LABEL-CAUTION-PULL HERE-GER	1
6840051	LABEL-PRICE & CUP SZ-CAFE'G	1
6841073	GASKET-FOAM	1
6408139	NUT & FERRULE ASSY-BRASS#4BT	1
6408140	TUBE-9082699-1/4 OD-2.00	"1
6408141	FITTING-PI-211208-S(RLC38014	1
6408142	LOCKING CLIP-PI-C1808-R(LC14	1
6408143	LOCKING CLIP-PI-C1812R (LC38	1

TABLE 34. BAG ASSEMBLY B6800009 - U.K.

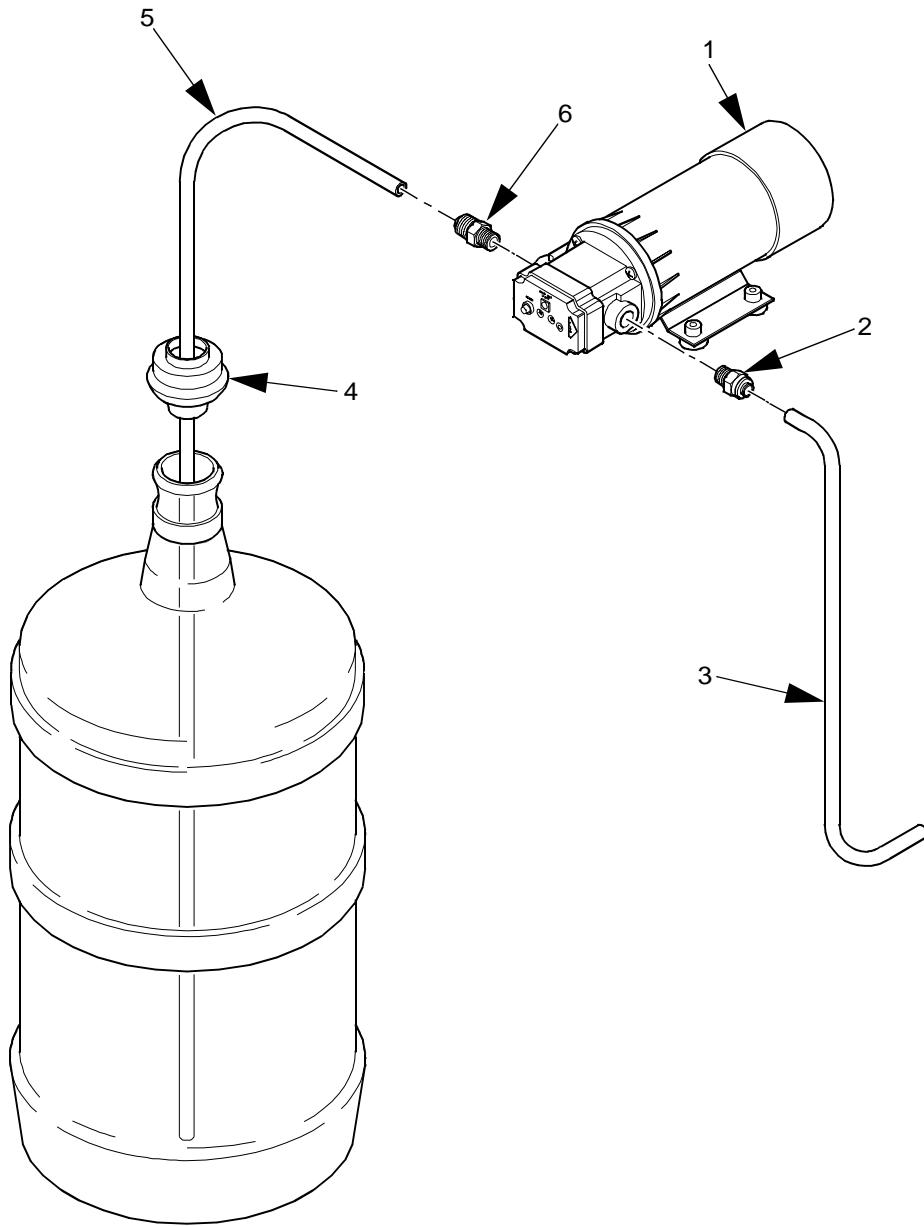
PART NUMBER	DESCRIPTION	QTY
WD680003	W.D.-CAFE'3 & 4	1
1300018	BAG PLASTIC	1
6800056	CAFE 3 & 4-SETUP GUIDE	1
6800057	QUICK REFERENCE GUIDE-CAFE 3	1
6802065	LABEL-MENU INSERT-ENGLISH	1
6802047	LABEL-CAUTION-PULL HERE-CAFE	1
6840052	LABEL-PRICE & CUP SIZE-U.K.	1
6841073	GASKET-FOAM	1
6408139	NUT & FERRULE ASSY-BRASS#4BT	1
6408140	TUBE-9082699-1/4 OD-2.00	"1
6408141	FITTING-PI-211208-S(RLC38014	1
6408142	LOCKING CLIP-PI-C1808-R(LC14	1
6408143	LOCKING CLIP-PI-C1812R (LC38	1

TABLE 35. UPPER CABINET ASSEMBLY - PART 8 - WIRE HARNESSSES

PART NUMBER	DESCRIPTION
4279001	JUMPER - 230 V TRANSFORMER PRIMARY
6809000	HARNESS - VEND VALVES (ALL MODELS)
6809002	HARNESS - TRANSFORMER (ALL MODELS)
6809003	HARNESS - CABINET (ALL MODELS)
6809004	HARNESS - DRAIN AND CABINET SWITCH (ALL MODELS)
6809005	HARNESS - CONTROLLER TO DOOR (ALL MODELS)
6809007	HARNESS - 2 PRODUCT AND 1 WHIPPER (680/681)
6809008	HARNESS - PAPER CUTTER ASSEMBLY (680/682)
6809010	HARNESS - BREW MOTOR FILTER (680/682)
6809011	HARNESS - BREWER ASSEMBLY (680/682)
6809012	HARNESS - CUTTER REVERSE PCB (ALL MODELS)
6809021	HARNESS - TEMP AND LEVEL PROBES (ALL MODELS)
6809030	HARNESS - EXHAUST FAN (ALL MODELS)
6829000	HARNESS - #1 WHIPPER (681/683)
6829007	HARNESS - 3 PRODUCT AND 2 WHIPPERS (682/683)
9989576	POWER CORD - W/BSI PLUG (U.K.) (ALL MODELS)
9989577	POWER CORD - EURO PLUG (FRANCE/GERMANY) (ALL MODELS)
9989781	POWER CORD - 14AWG - DOM (ALL MODELS)

TABLE 36. UPPER CABINET ASSEMBLY - PART 9 - TUBING

PART NUMBER	DESCRIPTION
3618105	TUBING - UK SILICONE - .375 X .562
6138094	CONNECTOR - "Y" TYPE (FRESH BREW ONLY)
	LOCATED BETWEEN BREWER PUMP OUTPUT AND DISPENSING SPOUT FOR BREWED SELECTIONS

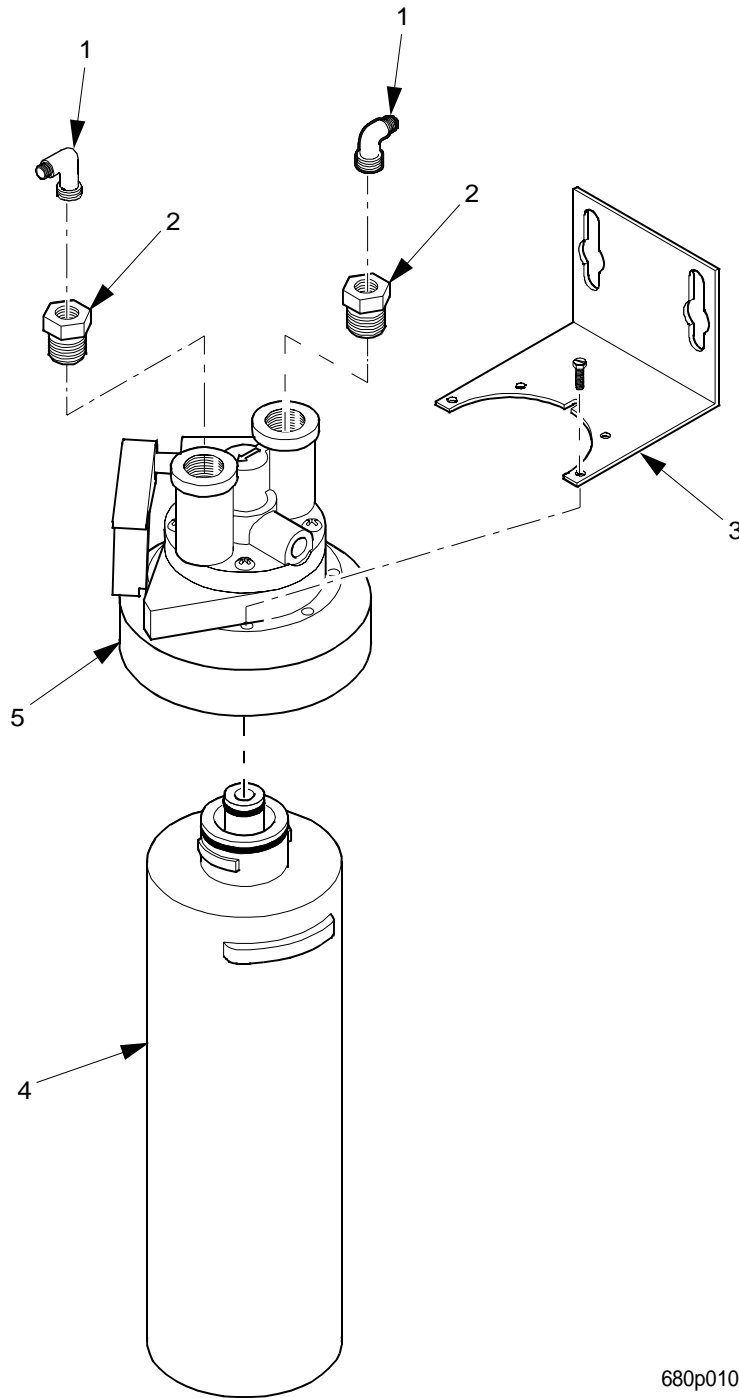


640p0114

Figure 37. Bottled Water Pump Accessory

TABLE 37. BOTTLED WATER PUMP ACCESSORY

INDEX	PART NUMBER	DESCRIPTION	QTY
-	P6400827	BOTTLED WATER PUMP PKG.-115V	1
	P6400858	BOTTLED WATER PUMP PKG.-230V	OPT
1	6408217	PUMP-WATER-FLOJET#2125-504-115V	1
	6408226	PUMP-WATR SPLY#2125-503-230V	
2	6408221	FITTING-COLE-PARMER#M-06372-	1
3	6408222	1/4 O.D.COPPER-120" LONG	1
4	6408213	COVER/FLTR-WATR BTL#EBCO0267	1
5	6408219	3/8 TUBE-6408220-WATER BOTTL	1
6	6408214	FITTING-COLE PARMER#M-06372-	1



680p0106

Figure 38. Everpure Water Filter Accessory

TABLE 38. EVERPURE WATER FILTER ACCESSORY

INDEX	PART NUMBER	DESCRIPTION	QTY
-	P6808026	FILTER HEAD ASSY-EVERPURE	1 OPT
1	6848009	MALE ELBOW-BRASS-#4-4 CB12	2
2	6408117	BUSHING-1/4X3/8-BRASS-209P-6-4	2
3	3158023	BRACKT-MNTNG-WTR FILTR#3046-44	1
4	6408135	WATER FLTR-EVRPUR #9618-12 OCS CARTRIDGE-12 PACK	1
5	6408134	FILTER HEAD-EVERPURE #9257-12-HO-P WITHOUT BRACKET	1