

**PATENT NOTICE**  
 THIS DEVICE IS MANUFACTURED  
 UNDER ONE OR MORE OF THE  
 FOLLOWING U.S. PATENTS:

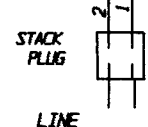
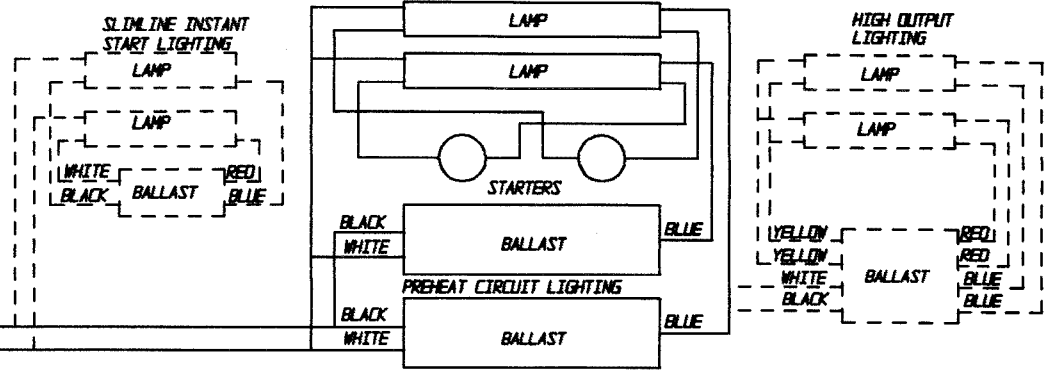
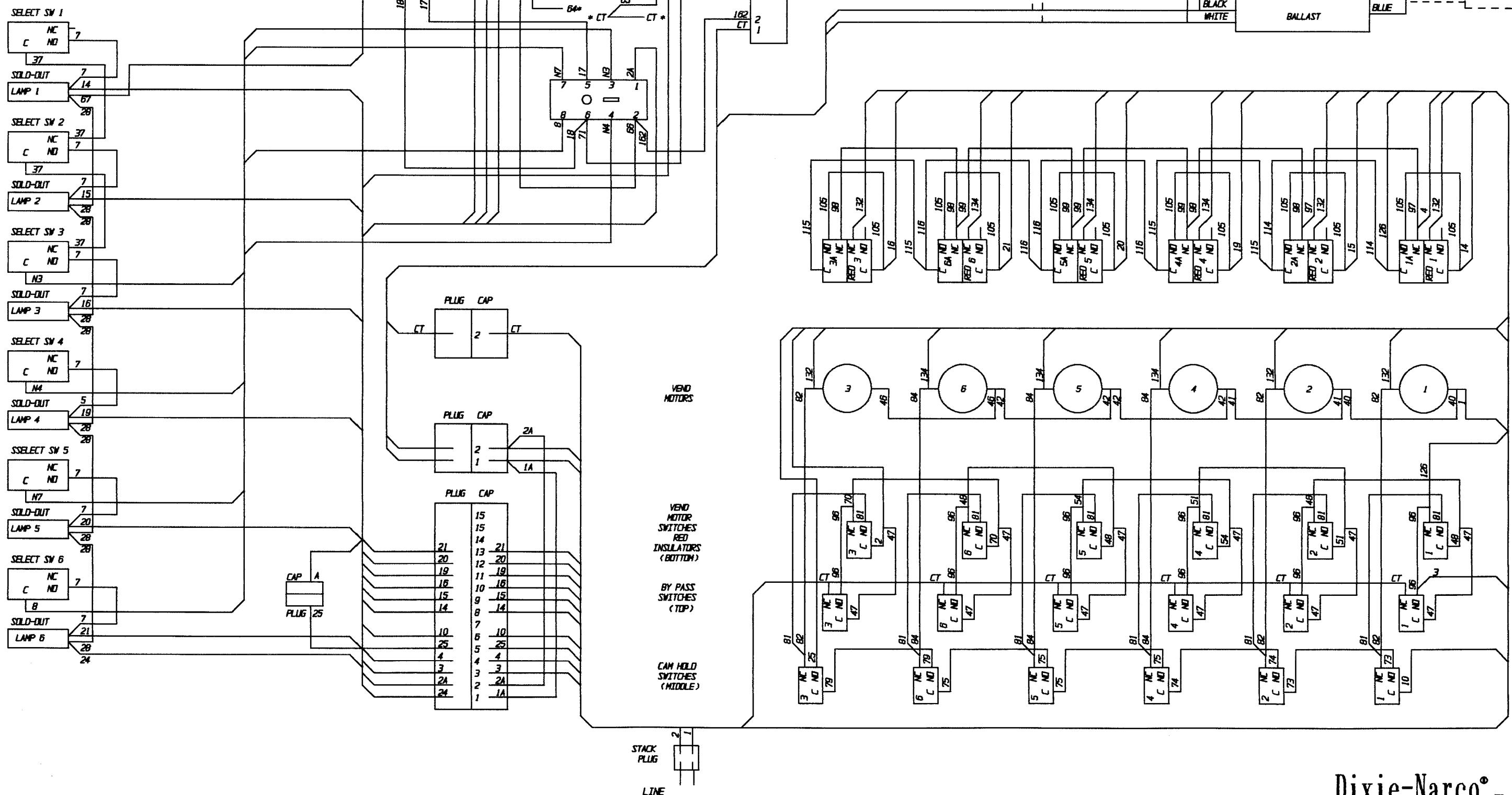
3,115,274	3,483,355	4,036,400
3,144,965	3,464,599	4,036,621
3,187,941	3,680,937	4,044,877
3,270,917	3,702,164	4,264,000
3,367,536	4,019,650	4,298,138
	4,509,658	4,705,176

ON ALL CAPS & PLUGS PIN 1 IS LOCATED ADJACENT TO CORNER HAVING RTB.  
 EXAMPLES:  

2	1
---	---

3	2	1
6	5	4
9	8	7
12	11	10
15	14	13

TERMINALS MARKED WITH \* ARE TO BE WRAPPED WITH TAPE.



PRINTED IN U.S.A.  
 DRAWING NO. 9090100.11

**Dixie-Narco**  
 4-PRICE 6 COLUMN DUAL ADAPTABLE  
 SERIES 90 TRIPLE SWITCH COUNTER