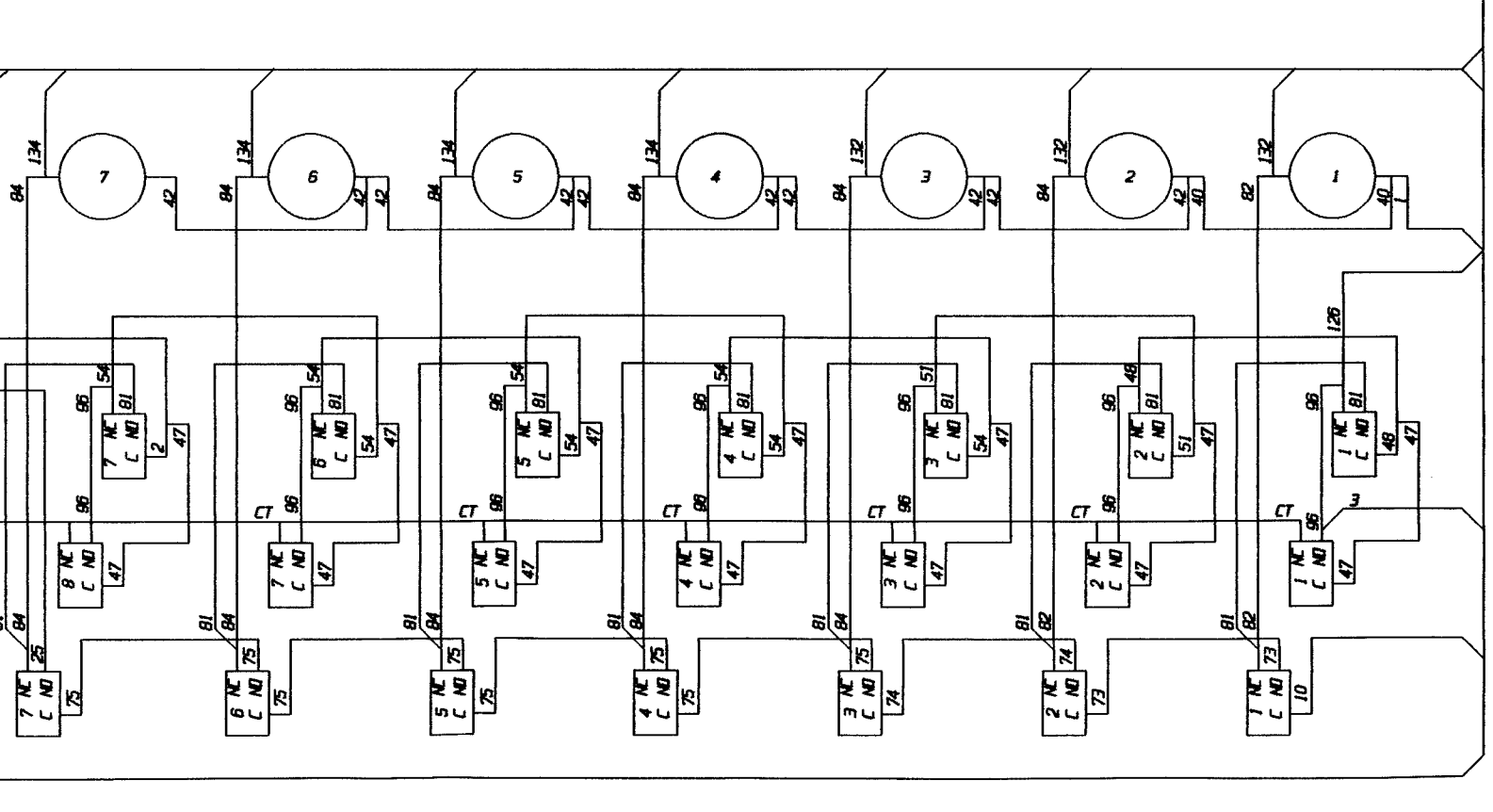
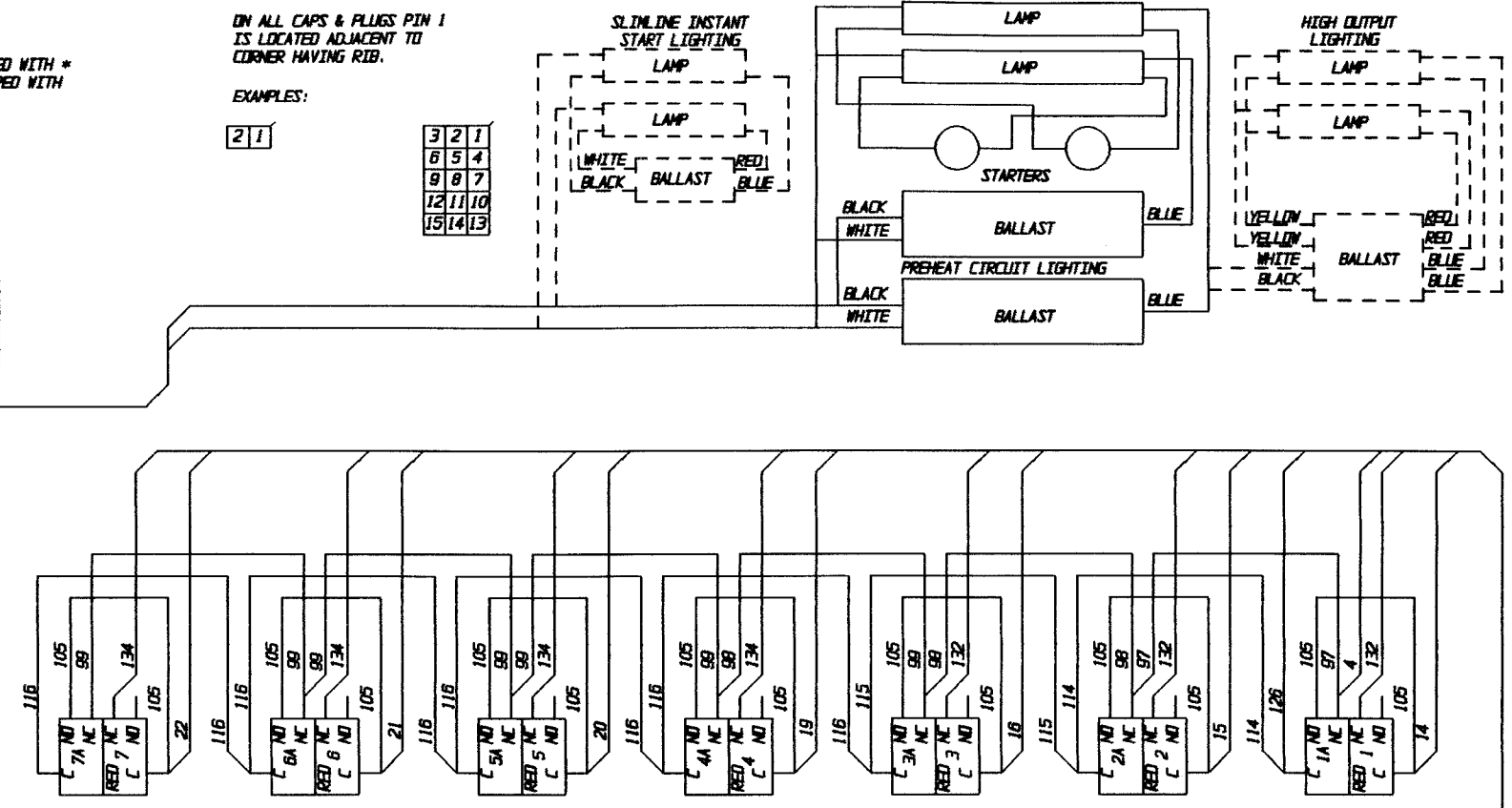
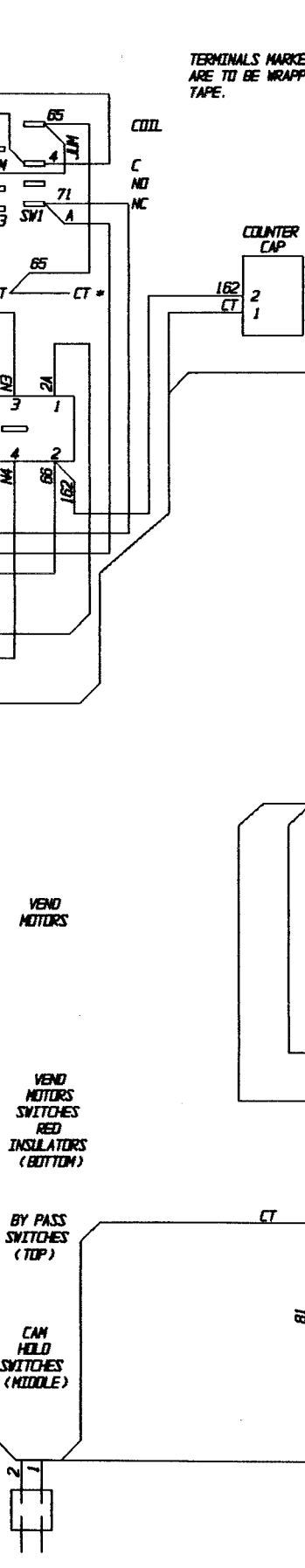
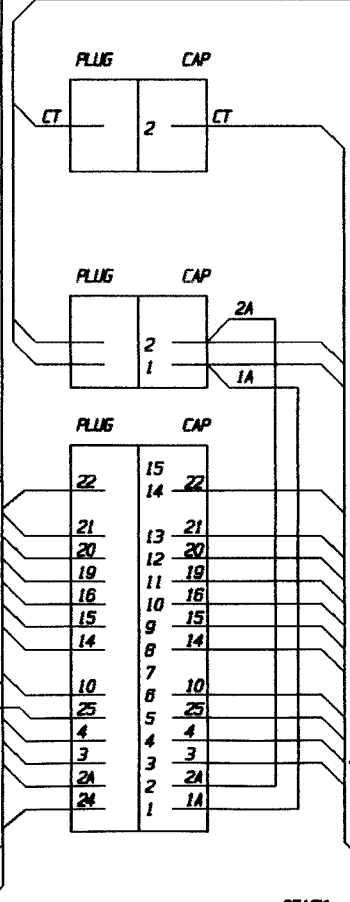
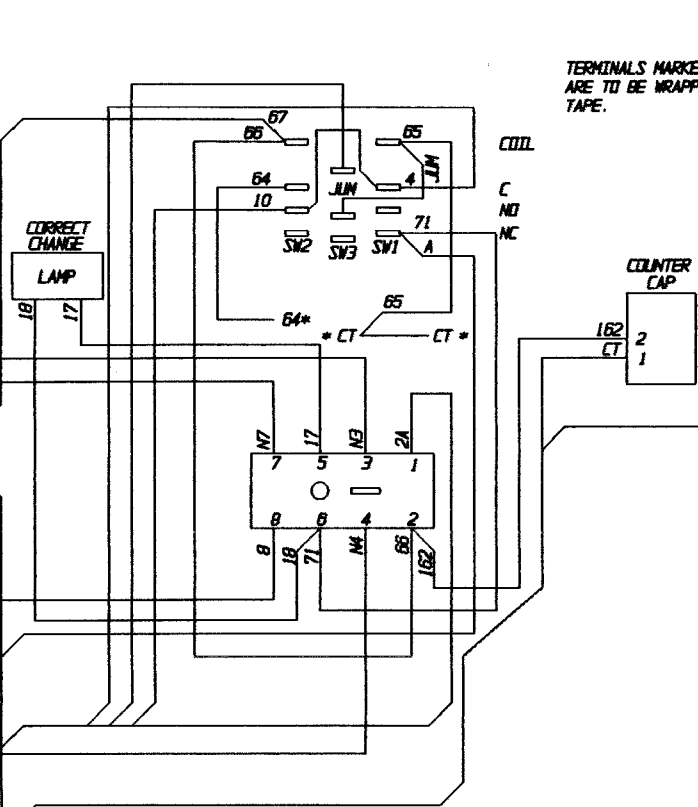
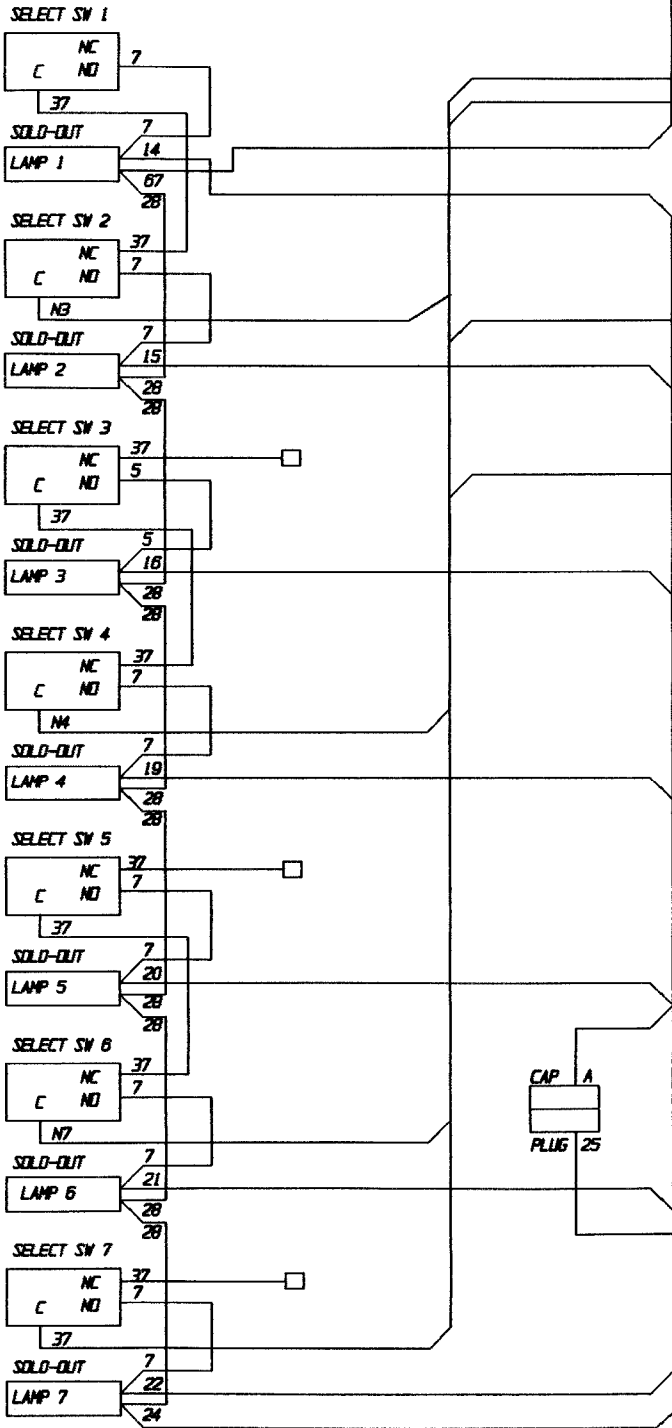


PATENT NOTICE
 THIS DEVICE IS MANUFACTURED
 UNDER ONE OR MORE OF THE
 FOLLOWING U.S. PATENTS:

3,115,274	3,463,355	4,036,400
3,144,965	3,464,588	4,036,621
3,187,941	3,680,937	4,044,877
3,270,917	3,702,164	4,264,000
3,367,536	4,019,650	4,298,138
	4,509,658	4,705,176



TERMINALS MARKED WITH *
 ARE TO BE WRAPPED WITH
 TAPE.

ON ALL CAPS & PLUGS PIN 1
 IS LOCATED ADJACENT TO
 CORNER HAVING RIB.

EXAMPLES:

2	1
---	---

3	2	1
8	5	4
9	8	7
12	11	10
15	14	13