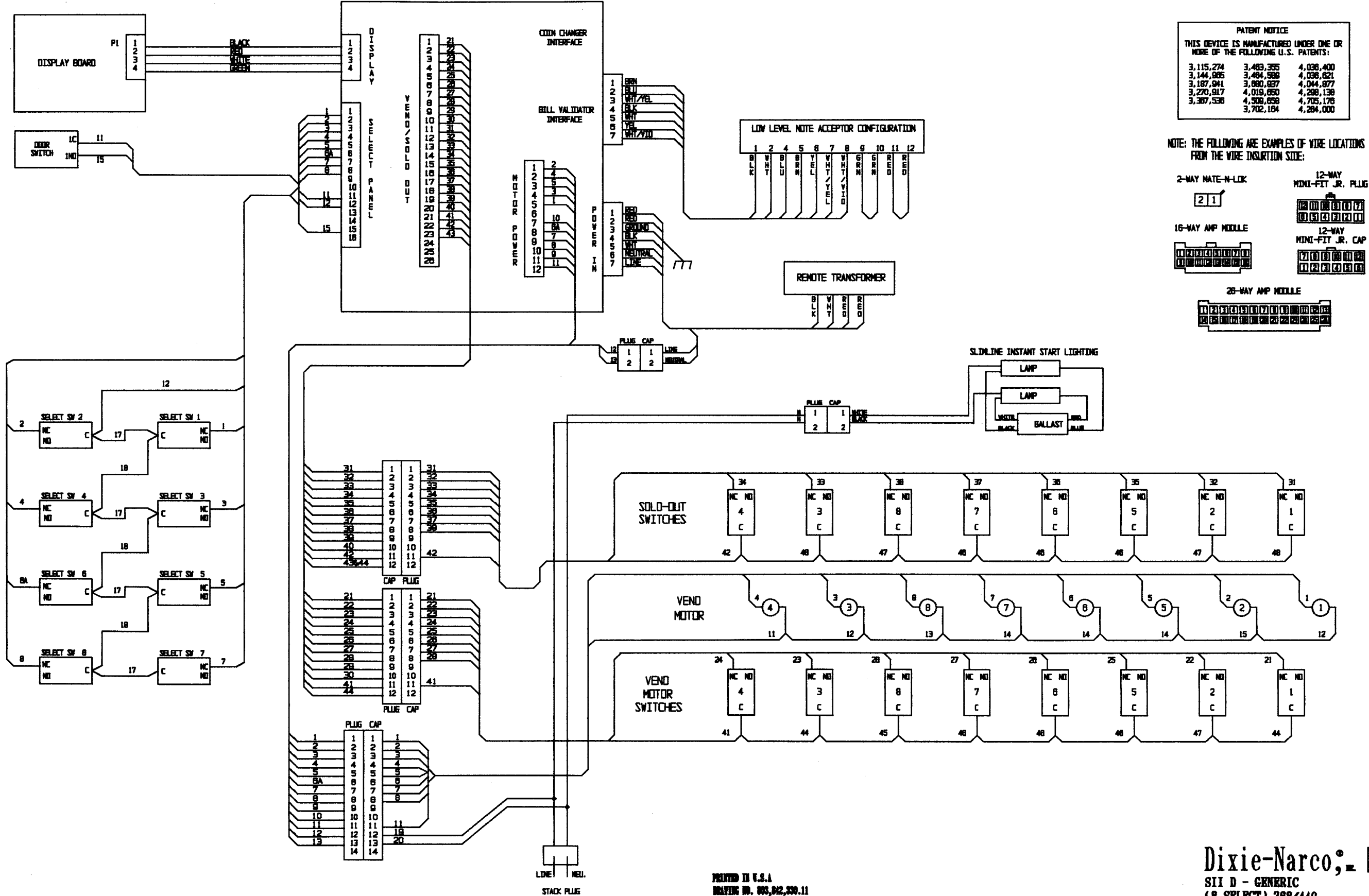


SII D - CONTROL BOX ASSEMBLY

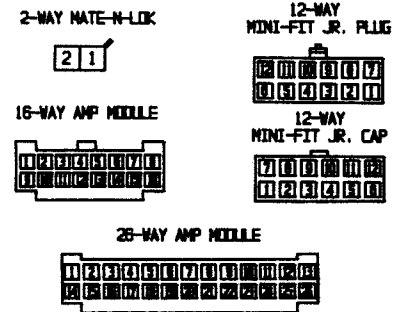


PATENT NOTICE

THIS DEVICE IS MANUFACTURED UNDER ONE OR MORE OF THE FOLLOWING U.S. PATENTS:

3,115,274	3,483,355	4,036,400
3,144,825	3,484,588	4,036,821
3,187,941	3,690,837	4,044,877
3,270,917	4,019,650	4,286,136
3,307,536	4,308,638	4,705,176
	3,702,164	4,284,000


NOTE: THE FOLLOWING ARE EXAMPLES OF WIRE LOCATIONS FROM THE WIRE INSULATION SIDE:



PRINTED IN U.S.A.
DRAWING NO. 003,942,330.11

Dixie-Narco, 
SII D - GENERIC
(8 SELECT) 368/440



REVISIONS	DATE	TITLE
1	08/12/81	WIRE DIAGRAM - SII D GENERIC 368/440 (8 SELECT)
Dixie-Narco 		
11 FEB 2PM 11		