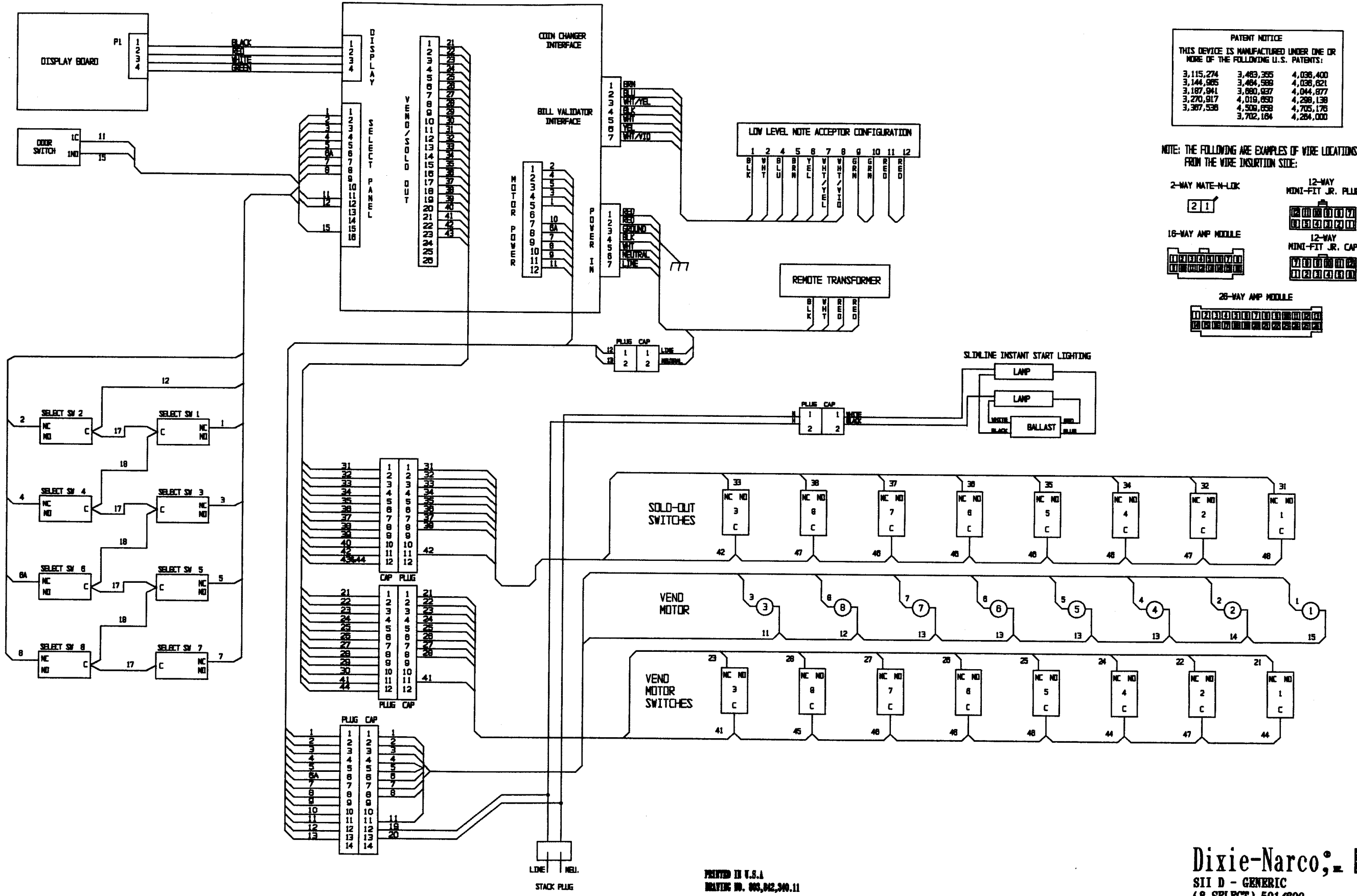


SII D - CONTROL BOX ASSEMBLY

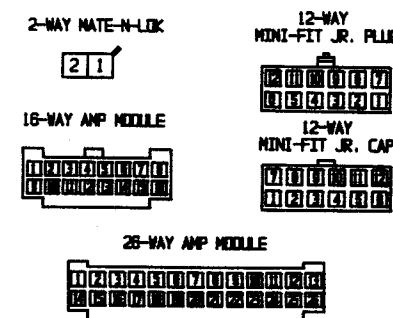


PATENT NOTICE

THIS DEVICE IS MANUFACTURED UNDER ONE OR MORE OF THE FOLLOWING U.S. PATENTS:

3,115,274	3,463,355	4,036,400
3,144,905	3,464,569	4,036,621
3,187,941	3,661,937	4,044,677
3,270,917	4,019,650	4,298,138
3,367,536	4,506,659	4,705,176
	3,702,184	4,264,000

NOTE: THE FOLLOWING ARE EXAMPLES OF WIRE LOCATIONS FROM THE WIRE INSERTION SIDE:



PRINTED IN U.S.A.
DRAWING NO. 903,942,940.11

Dixie-Narco, 
SII D - GENERIC
(8 SELECT) 501/600



REVISIONS	DATE	TITLE
REV. 1	08/12/81	WIRE DIAGRAM - SII D GENERIC 501/600 (8 SELECT)
DIXIE-NARCO		
11 073 842 340 11		