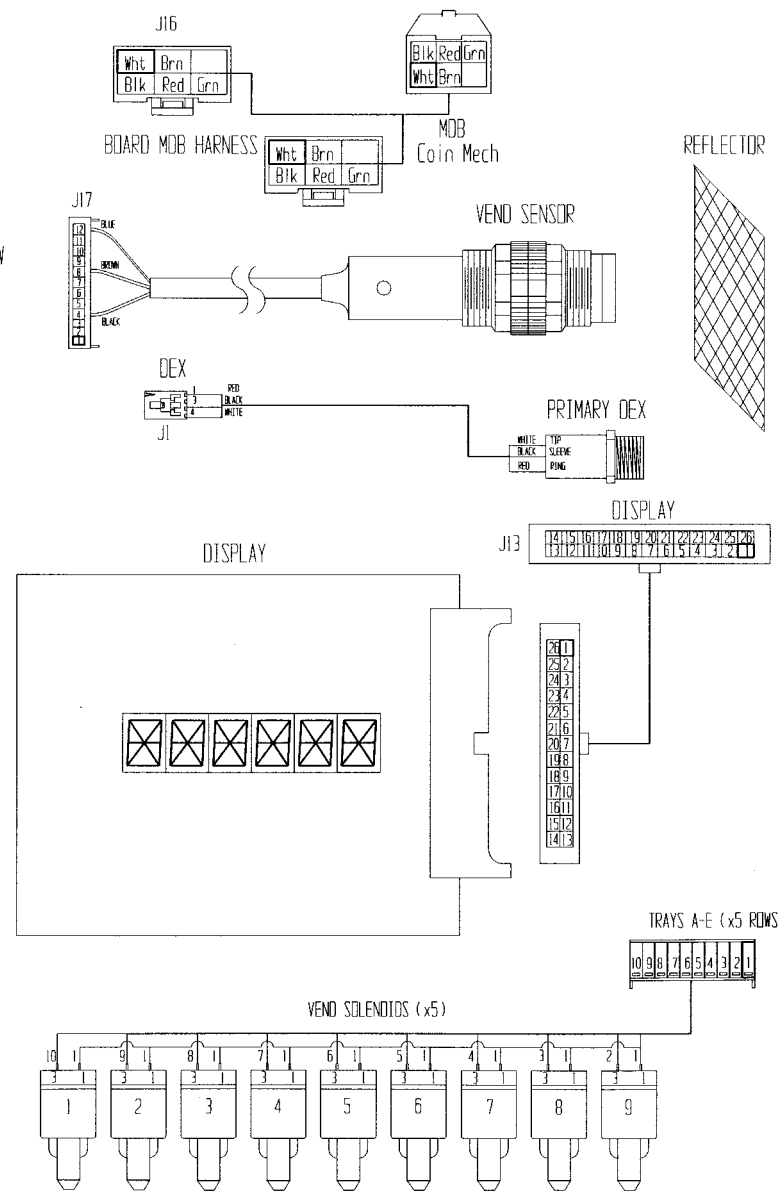
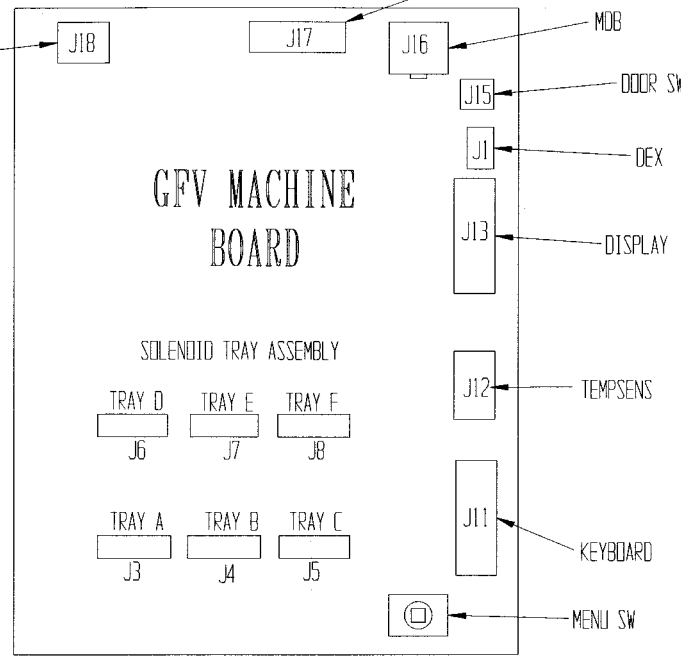
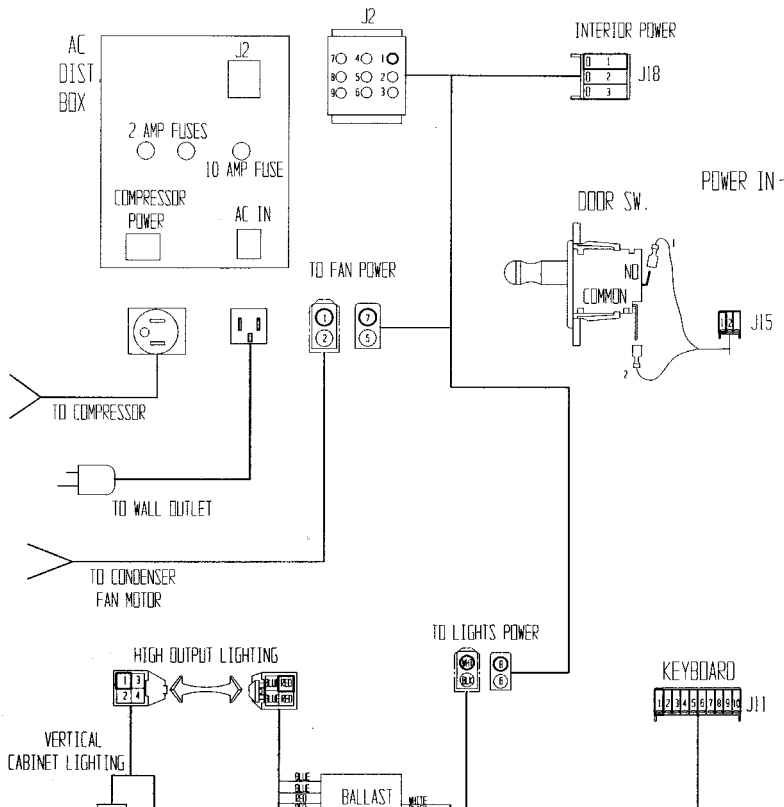


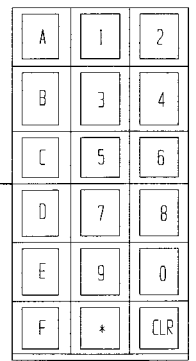
Controller



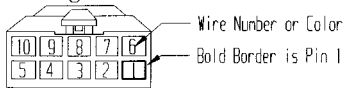
PATENT NOTICE
 This device is manufactured under one or more of the following United States Patents:
 4,298,138 4,264,000 4,705,176
 4,509,658 5,176,287 5,497,905
 5,505,332 5,651,476 5,927,539
 5,967,364 362,463

OTHER PATENTS PENDING

Dixie-Narco, Inc.
 GLASS FRONT VENDOR
 5 TRAY



Legend



Legend



All Connectors are WIRE SIDE VIEW

All Connectors are WIRE SIDE VIEW