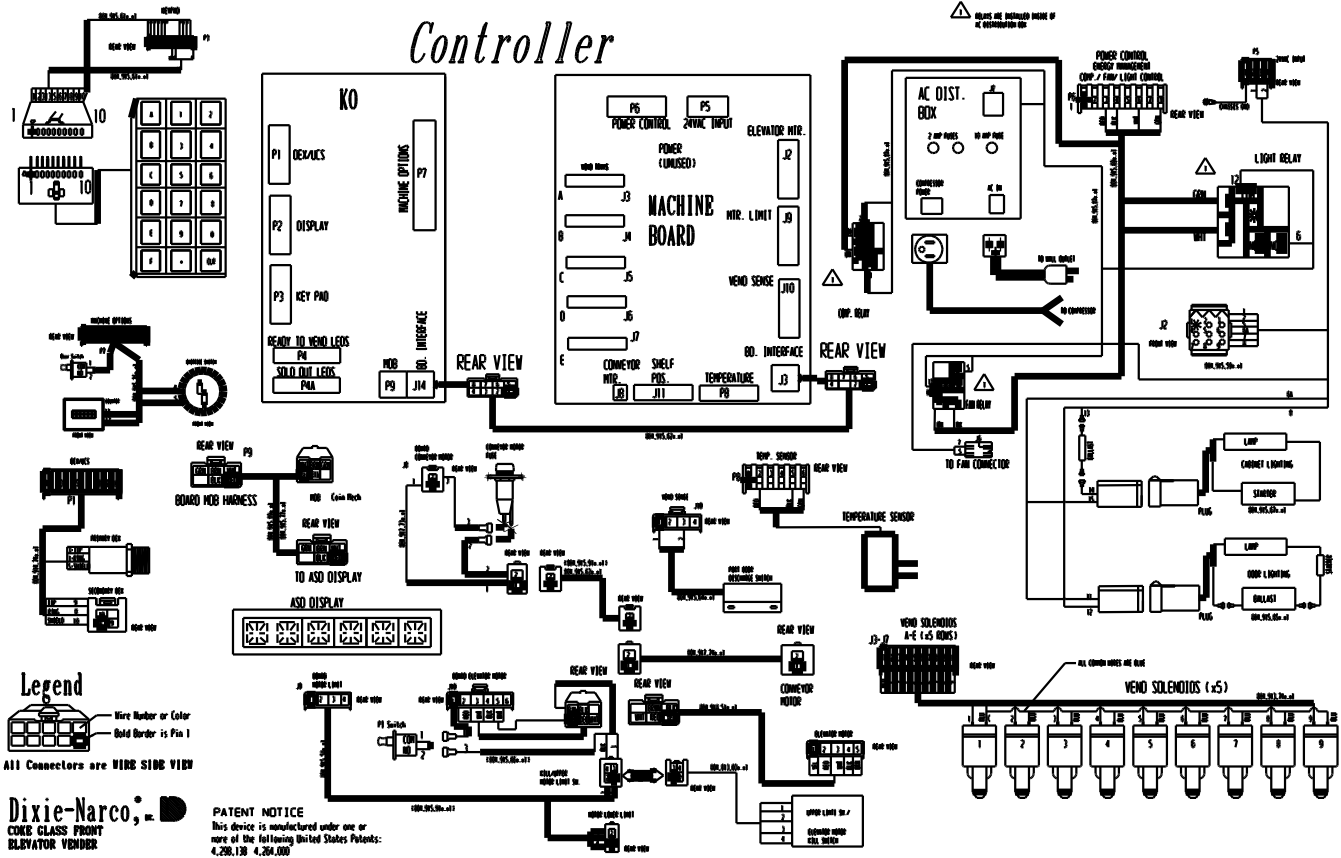


REV	DATE	BY	DESCRIPTION
0.1			ISSUED FOR PRODUCTION

# Controller



**Legend**

Wire Number or Color  
 Solid Border is Pin 1

All Connectors are WIRE SIDE VIEW

**Dixie-Narco, Inc.**  
 COKE GLASS FRONT  
 ELEVATOR VENDER

**PATENT NOTICE**  
 This device is manufactured under one or more of the following United States Patents:  
 4,280,130 4,264,000  
 4,705,170 4,569,050

REV	DATE	BY	DESCRIPTION
0.1			ISSUED FOR PRODUCTION

**WIRING DIAGRAM, COKE GLASS FRONT VENDER**

SHEET 1 OF 1

DIXIE-NARCO

80386276