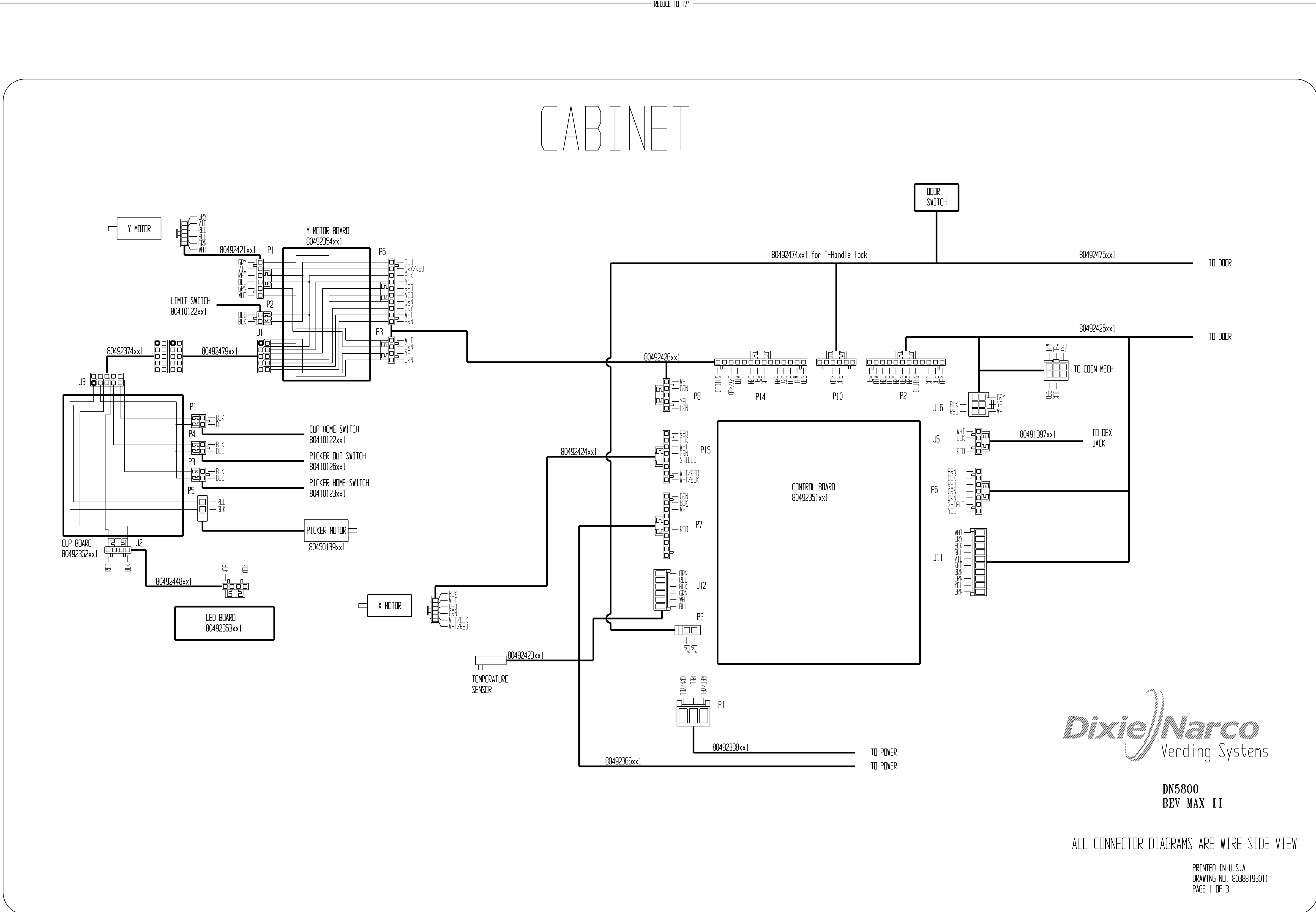


- NOTES:  
 1. PRINT SCALED AS SHOWN.  
 2. PRINT ON ONE OF THE FOLLOWING MATERIALS:  
 COMMUNICATIONS COMPONENTS - KL610  
 3. PRINT ALL PINK ENTITIES AT A WIDTH OF 0.25MM.  
 PRINT ALL OTHER ENTITIES AT A WIDTH OF 0.35MM.

REV	DATE	BY	ENG	EX. NO.	ZONE
0.0	12/23/05	TON	TON	0000	--
RELEASED					
REV	DATE	BY	ENG	EX. NO.	ZONE
0.1	06/05/06	TON	TON	0000	--
REVISION					
REVISE TO NEW ORDER PARTS NUMBER AND CORRECT ERRORS					

# CABINET



DN5800  
BEV MAX II

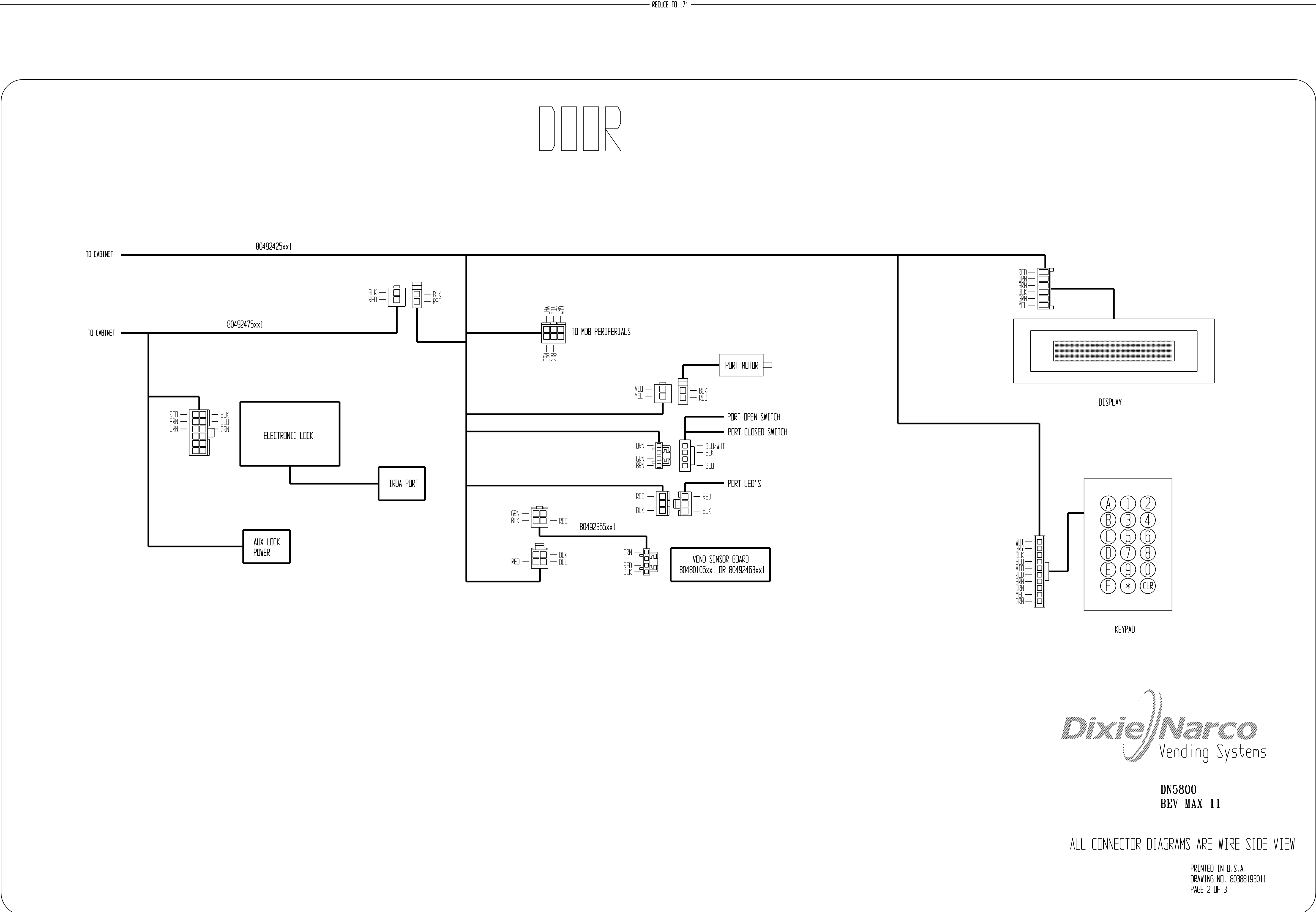
ALL CONNECTOR DIAGRAMS ARE WIRE SIDE VIEW

PRINTED IN U.S.A.  
DRAWING NO. 80388193011  
PAGE 1 OF 3

NO CHANGES TO MATERIALS, CONTOURIZATION OR PROCESS MAY BE MADE WITHOUT PRIOR WRITTEN APPROVAL FROM DIXIE-NARCO ENGINEERING.		NOTICE OF PROPRIETARY INFORMATION THIS DRAWING IS THE PROPERTY OF DIXIE-NARCO INC. WHETHER THIS DRAWING HAS BEEN REPRODUCED OR NOT. IT IS TO BE USED ONLY IN WHOLE OR IN PART, WITHOUT THE EXPRESS WRITTEN PERMISSION OF DIXIE-NARCO INC., WASHINGTON, DC.		REV. 0.1
UNLESS OTHERWISE SPECIFIED: DIMENSIONS ARE TO BE MET WITH PRECISION FINISH DIMENSIONS IN INCHES DIMENSIONS IN MILLIMETERS ANGLES 12°	DESIGNED BY: TON DATE: 12/23/05	ENGINEER: TON DATE: 12/23/05	TITLE: WIRING DIAGRAM BEVMAXII DOMESTIC	
KEY CHARACTERISTICS: PARTS MUST COMPLY WITH QS-9000 PPAP SUBMISSION LEVEL 3.	SHEET: 1 OF 3	FILE NUMBER: 80388193011	DO NOT SCALE THIS DRAWING	DATE: 06/05/06
Dixie/Narco Vending Systems		SIZE: 11x17	ENG. NO.: 80388193	WIRE: 1

- NOTES:  
 1. PRINT SCALED AS SHOWN.  
 2. PRINT ON ONE OF THE FOLLOWING MATERIALS:  
 COMMUNICATIONS COMPONENTS - KL610  
 3. PRINT ALL PINK ENTITIES AT A WIDTH OF 0.25MM.  
 PRINT ALL OTHER ENTITIES AT A WIDTH OF 0.35MM.

REV	DATE	BY	CHK	APP	DESCRIPTION
0.1	12/23/05	IM	IM	IM	...
0.1	12/23/05	IM	IM	IM	...



**DixieNarco**  
 Vending Systems

DN5800  
 BEV MAX II

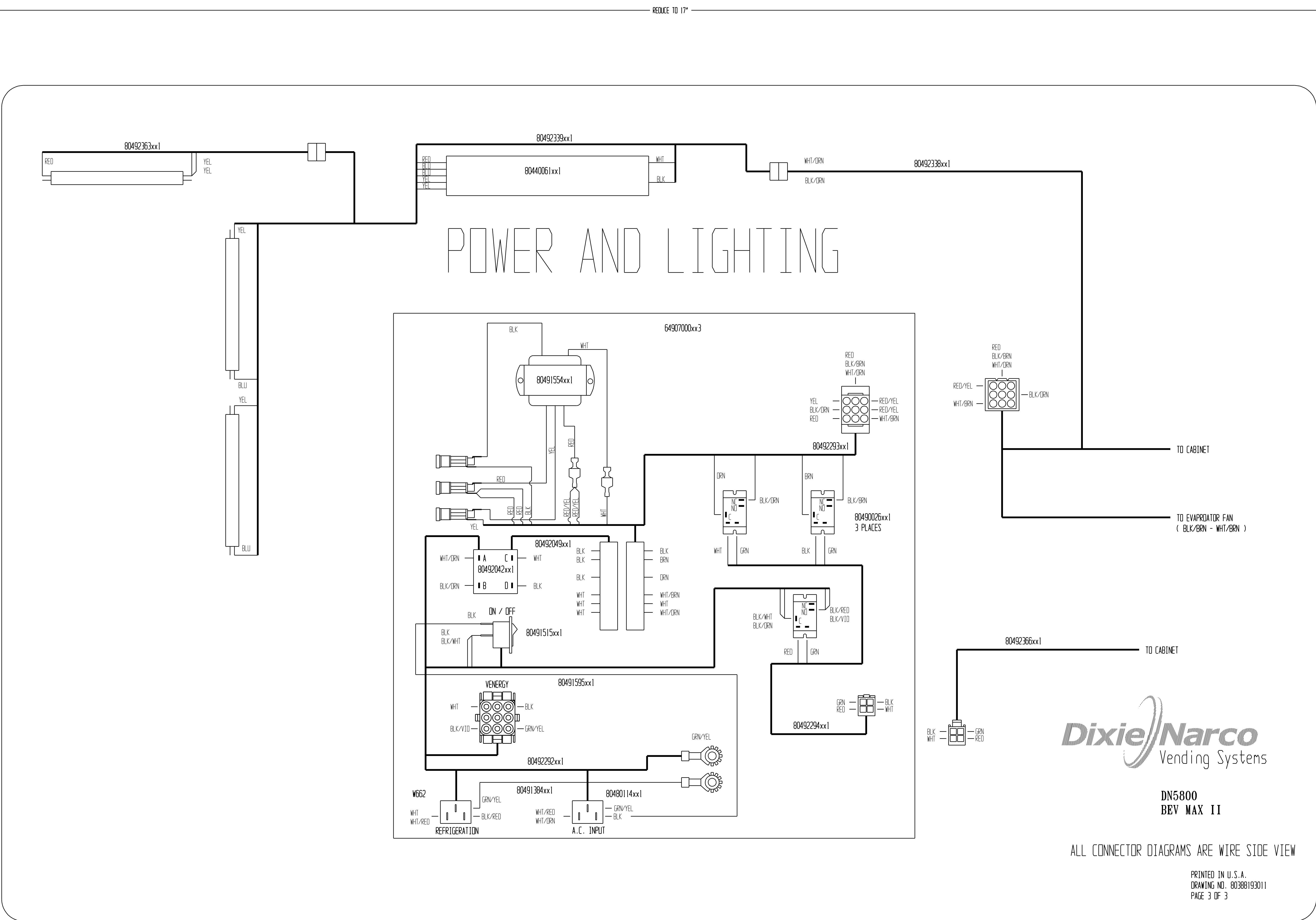
ALL CONNECTOR DIAGRAMS ARE WIRE SIDE VIEW

PRINTED IN U.S.A.  
 DRAWING NO. 80388193011  
 PAGE 2 OF 3

NO CHANGES TO MATERIALS, CONFIGURATION OR PROFILES MAY BE MADE WITHOUT PRIOR WRITTEN APPROVAL FROM DIXIE-NARCO ENGINEERING.		NOTICE OF PROPRIETARY INFORMATION THIS DRAWING IS THE PROPERTY OF DIXIE-NARCO INC. NO PART OF THIS DRAWING OR ANY INFORMATION CONTAINED HEREIN MAY BE REPRODUCED OR TRANSMITTED IN ANY FORM OR BY ANY MEANS, ELECTRONIC OR MECHANICAL, INCLUDING PHOTOCOPYING, RECORDING, OR BY ANY INFORMATION STORAGE AND RETRIEVAL SYSTEM, WITHOUT THE EXPRESS WRITTEN PERMISSION OF DIXIE-NARCO INC. - WILMINGTON, NC.		REV. 0.1
DATE: 12/23/05	BY: IM	DATE: 12/23/05	TITLE: WIRING DIAGRAM	
ENGINEER: IM	DATE: 12/23/05	CHECK: IM	DESCRIPTION: BEVMAXII DOMESTIC	
SHEET: 2 OF 3		DO NOT SCALE THIS DRAWING		
DixieNarco Vending Systems		SIZE: 11x17	DWG. NO.: 80388193	SCALE: 1

- NOTES:
1. PRINT SCALED AS SHOWN.
  2. PRINT ON ONE OF THE FOLLOWING MATERIALS:  
COMMUNICATIONS COMPONENTS - KL610
  3. PRINT ALL PINK ENTITIES AT A WIDTH OF 0.25MM.  
PRINT ALL OTHER ENTITIES AT A WIDTH OF 0.35MM.

REV.	DATE	BY	CHK	ENR	DESC
0.1	12/2/95	TON	TON	TON	REVISED



NO CHANGES TO MATERIALS, CONFIGURATION OR PROCESS MAY BE MADE WITHOUT PRIOR WRITTEN APPROVAL FROM DESIGN/ENGINEERING		NOTICE OF PROPRIETARY INFORMATION THIS DRAWING IS THE PROPERTY OF DIXIE-NARCO INC. NO PART OF THIS DRAWING OR ANY INFORMATION CONTAINED HEREIN MAY BE REPRODUCED OR USED IN WHOLE OR IN PART, WITHOUT THE EXPRESS WRITTEN PERMISSION OF DIXIE-NARCO INC. - WILMINGTON, DE.		REV. A
UNLESS OTHERWISE SPECIFIED, DIMENSIONS ARE TO BE MET AND DIMENSIONS IN PARENTHESES ARE TO BE MET UNLESS OTHERWISE SPECIFIED.		DATE: 12/2/95	DATE: 12/2/95	TITLE: WIRING DIAGRAM BEVMAXII DOMESTIC
DRAWN BY: TON		ENGINEER: TON	CHECK: TON	DATE: 12/2/95
SHEET: 3 OF 3		DO NOT SCALE THIS DRAWING		SIZE: 11x17
PARTS MUST COMPLY WITH SUBMISSION LEVEL 3.		Dixie Narco Vending Systems		DWG. NO. 80388193