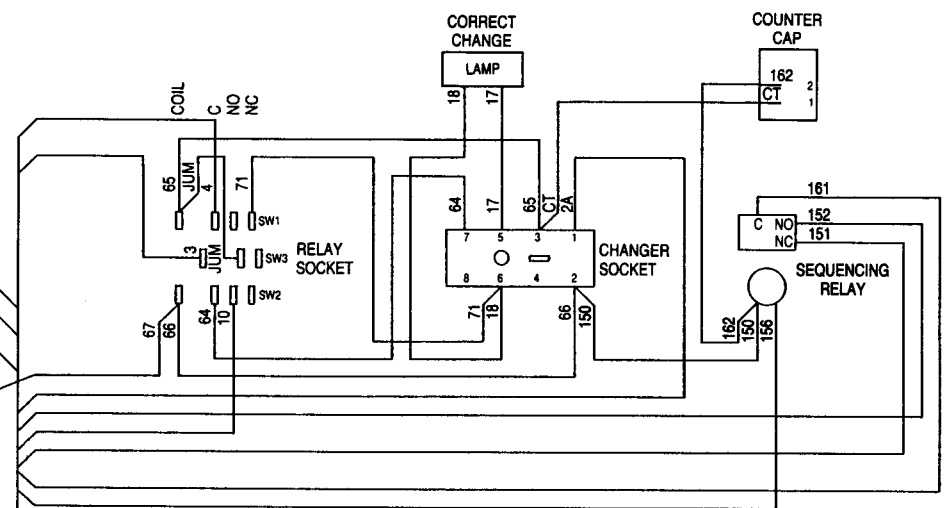
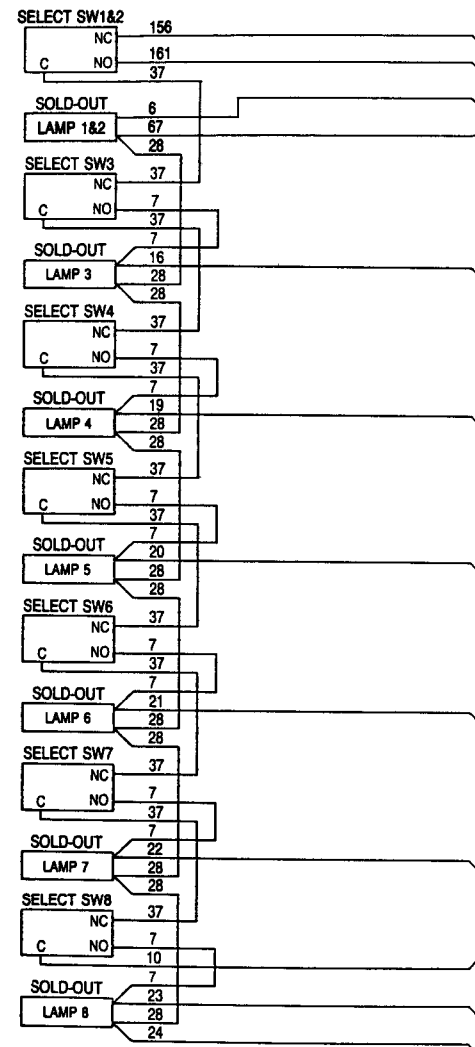


PATENT NOTICE
 THIS DEVICE IS MANUFACTURED UNDER ONE OR MORE OF THE FOLLOWING U.S. PATENTS:

3,115,274	3,463,355	4,036,400
3,144,965	3,464,589	4,036,621
3,187,941	3,680,937	4,044,877
3,270,917	3,702,164	4,264,000
3,367,536	4,019,650	4,298,138
	4,509,658	4,705,176



ON ALL CAPS & PLUGS
 PIN 1 IS LOCATED ADJACENT
 TO CORNER HAVING RIB.
 EXAMPLES:

