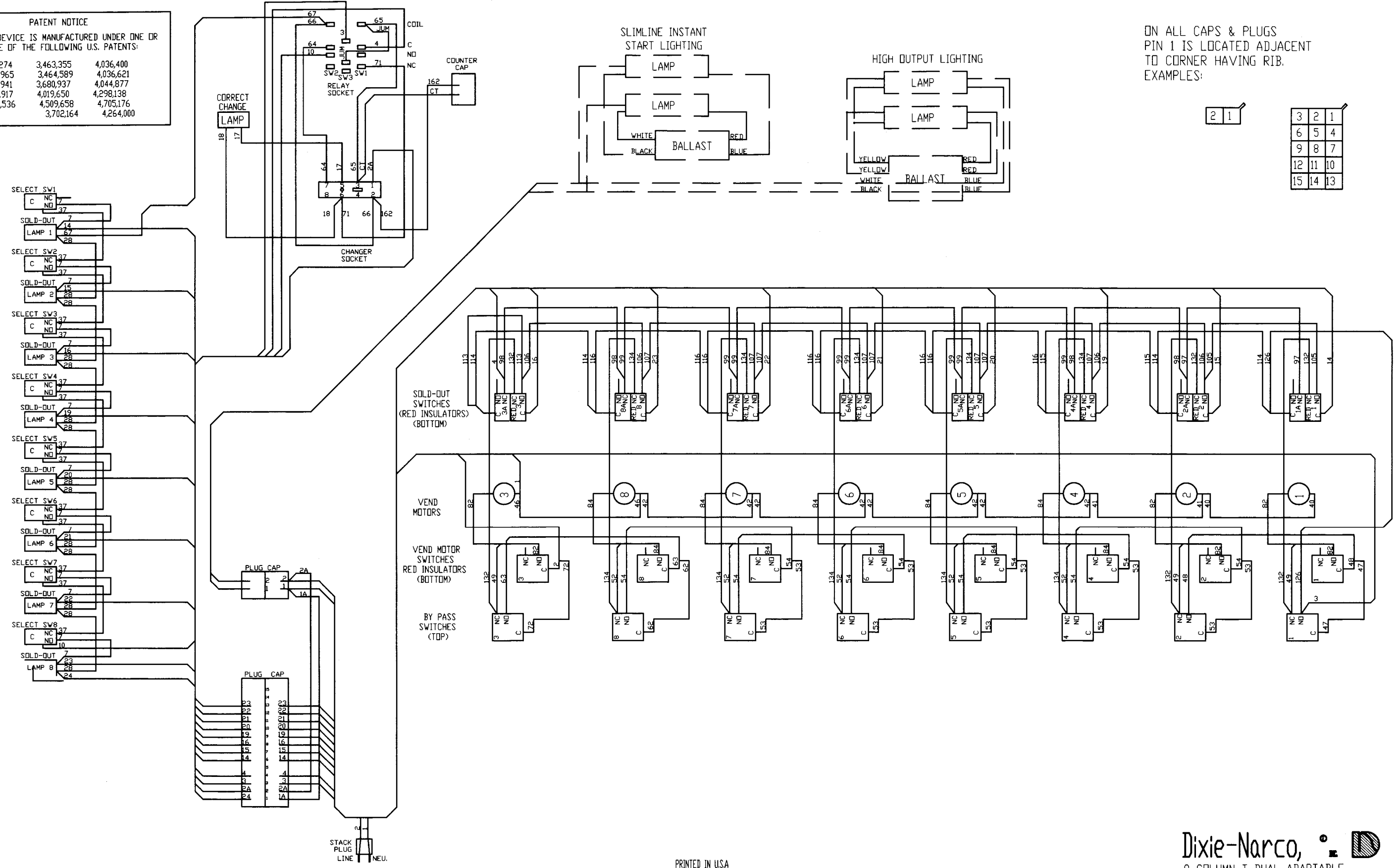
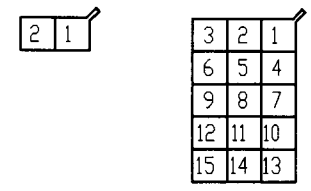


PATENT NOTICE
 THIS DEVICE IS MANUFACTURED UNDER ONE OR MORE OF THE FOLLOWING U.S. PATENTS:

| | | |
|-----------|-----------|-----------|
| 3,115,274 | 3,463,355 | 4,036,400 |
| 3,144,965 | 3,464,589 | 4,036,621 |
| 3,187,941 | 3,680,937 | 4,044,877 |
| 3,270,917 | 4,019,650 | 4,298,138 |
| 3,367,536 | 4,509,658 | 4,705,176 |
| | 3,702,164 | 4,264,000 |

ON ALL CAPS & PLUGS
 PIN 1 IS LOCATED ADJACENT
 TO CORNER HAVING RIB.
 EXAMPLES:



PRINTED IN U.S.A.
 DRAWING NO. 903,829,080.11

Dixie-Narco
 8 COLUMN T DUAL ADAPTABLE
 SERIES 90