

PATENT NOTICE  
THIS DEVICE IS MANUFACTURED  
UNDER ONE OR MORE OF THE  
FOLLOWING U.S. PATENTS:

3,115,274	3,463,355	4,036,400
3,144,965	3,484,589	4,038,821
3,187,941	3,680,937	4,044,877
3,270,917	3,702,164	4,264,000
3,367,536	4,019,650	4,298,138
	4,509,658	4,705,176

TERMINALS MARKED WITH \*  
ARE TO BE WRAPPED WITH  
TAPE.

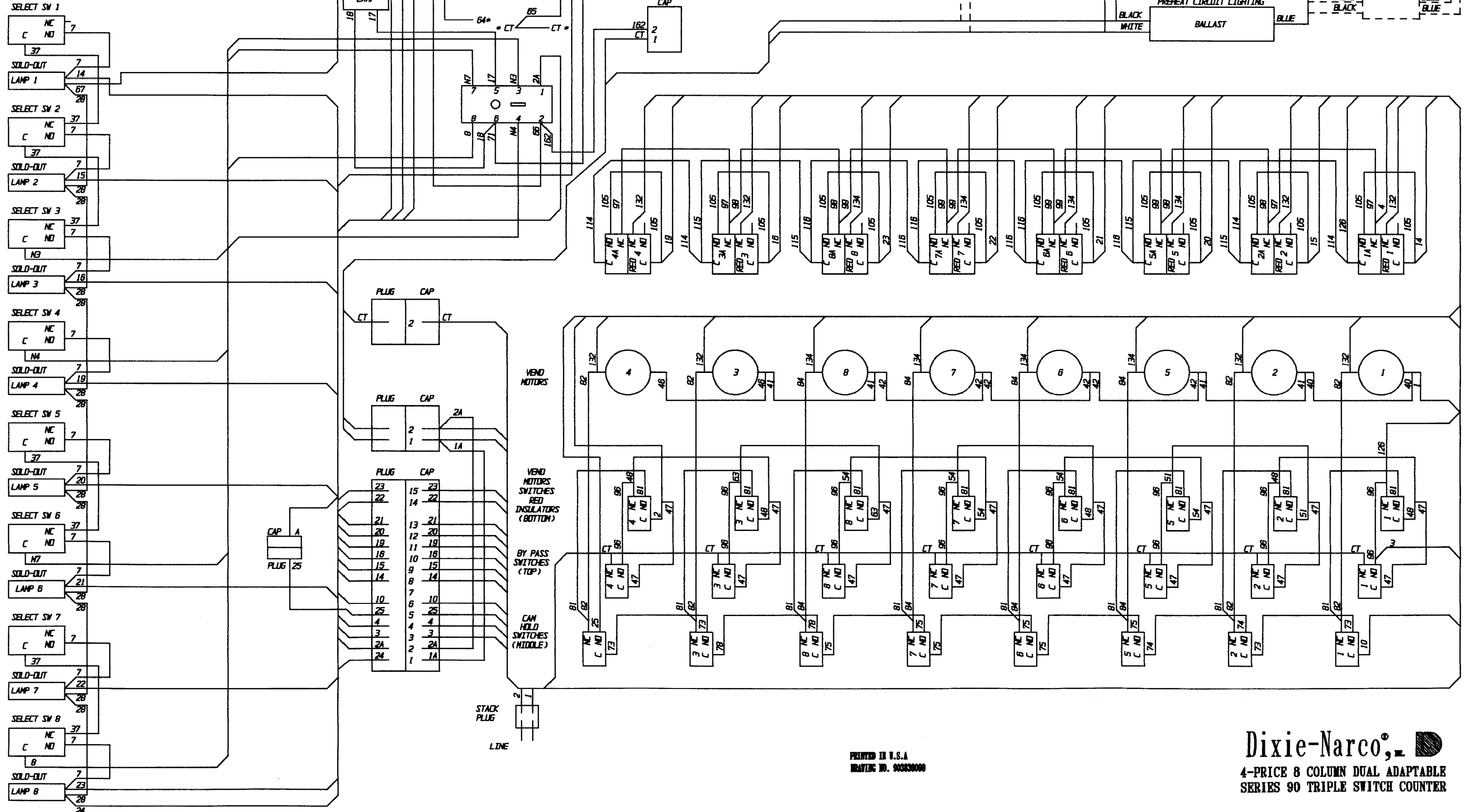
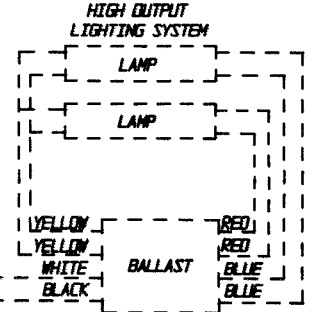
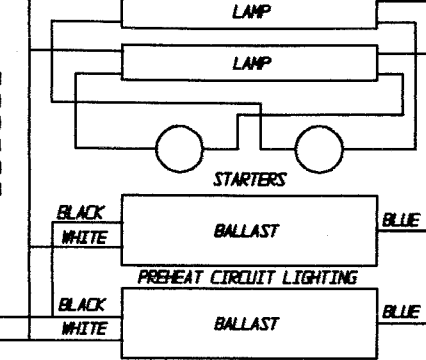
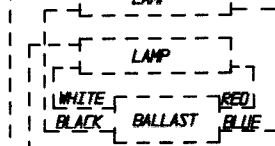
ON ALL CAPS & PLUGS PIN 1  
IS LOCATED ADJACENT TO  
CORNER HAVING RIB.

EXAMPLES:

2 1

3	2	1
6	5	4
9	8	7
12	11	10
15	14	13

SLIMLINE INSTANT  
START LIGHTING



PRINTED IN U.S.A.  
DRAWING NO. 90330000

Dixie-Narco®  
4-PRICE 8 COLUMN DUAL ADAPTABLE  
SERIES 90 TRIPLE SWITCH COUNTER