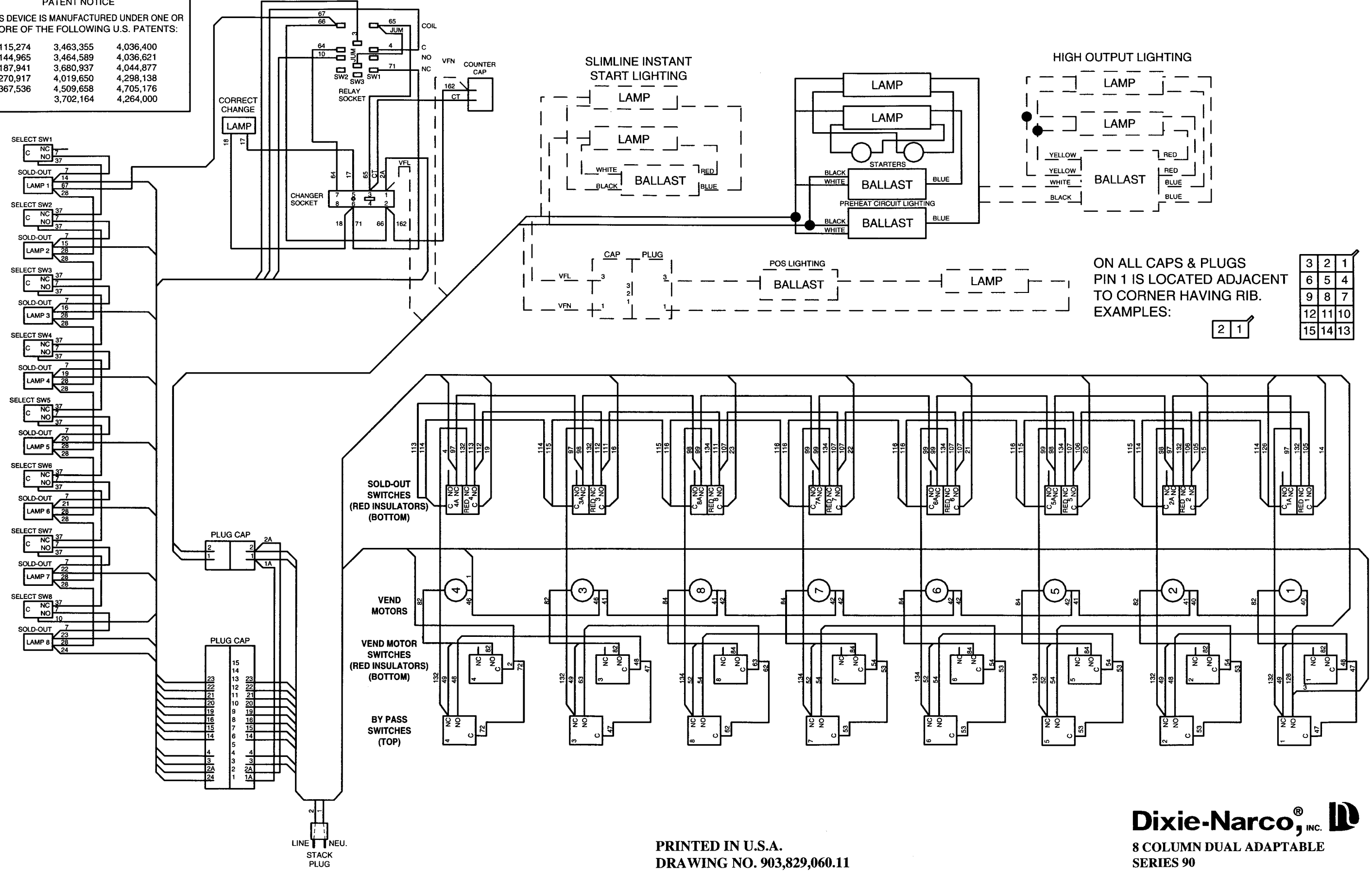


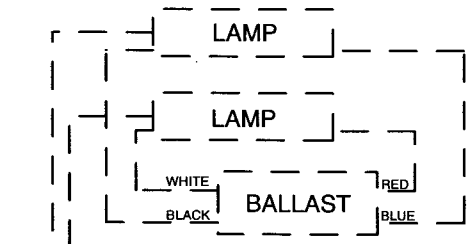
PATENT NOTICE

THIS DEVICE IS MANUFACTURED UNDER ONE OR MORE OF THE FOLLOWING U.S. PATENTS:

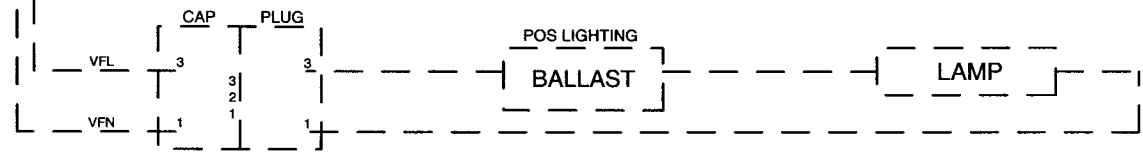
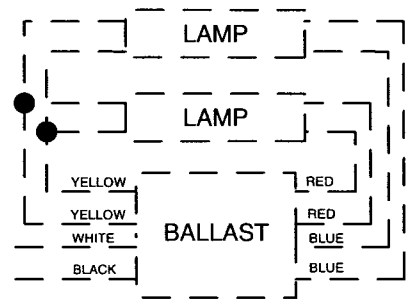
3,115,274	3,463,355	4,036,400
3,144,965	3,464,589	4,036,621
3,187,941	3,680,937	4,044,877
3,270,917	4,019,650	4,298,138
3,367,536	4,509,658	4,705,176
	3,702,164	4,264,000



SLIMLINE INSTANT START LIGHTING



HIGH OUTPUT LIGHTING



ON ALL CAPS & PLUGS
PIN 1 IS LOCATED ADJACENT
TO CORNER HAVING RIB.
EXAMPLES:



3	2	1
6	5	4
9	8	7
12	11	10
15	14	13

PRINTED IN U.S.A.
DRAWING NO. 903,829,060.11

Dixie-Narco[®], INC.
8 COLUMN DUAL ADAPTABLE
SERIES 90