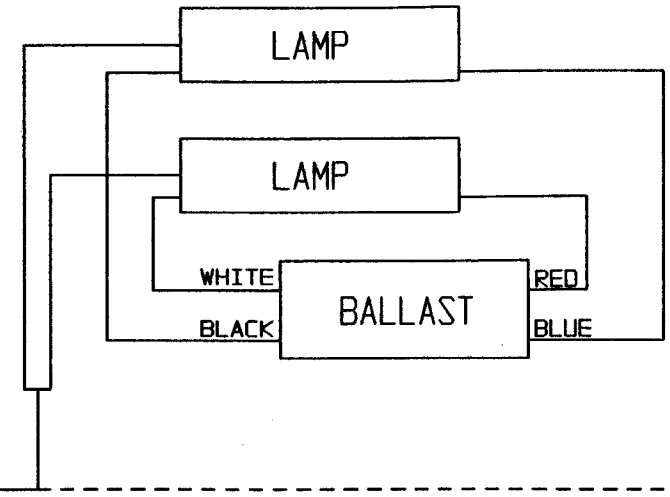
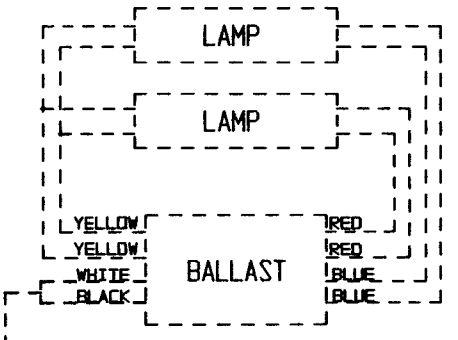


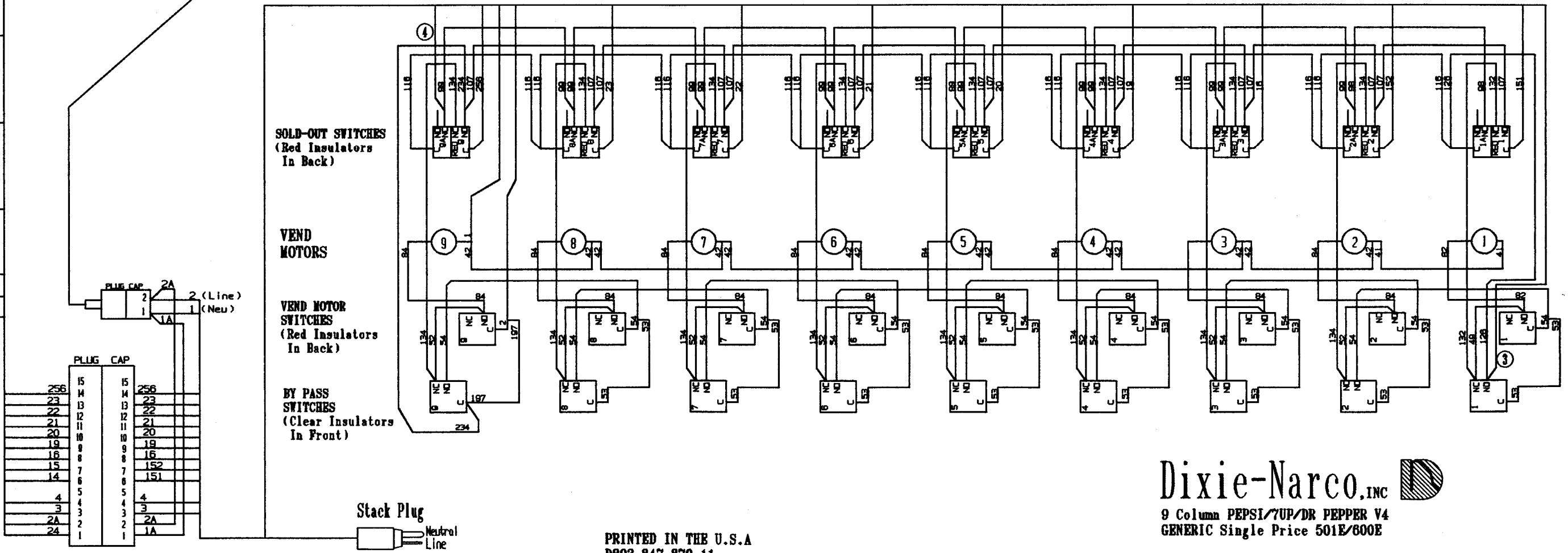
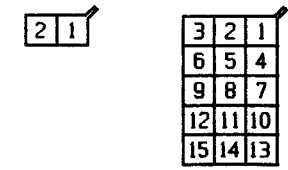
SLIMLINE LIGHTING



HIGH OUTPUT LIGHTING



ON ALL CAPS & PLUGS
PIN 1 IS LOCATED ADJACENT
TO CORNER HAVING RIB.
EXAMPLES:



PRINTED IN THE U.S.A
D803,847,870.11

Dixie-Narco, INC

9 Column PEPSI/7UP/DR PEPPER V4
GENERIC Single Price 501E/600E

PATENT NOTICE
This device is manufactured under one or
more of the following United States Patents:
4,280,138 4,280,000
4,765,176 4,530,626