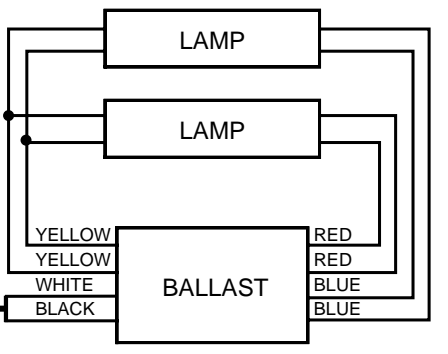
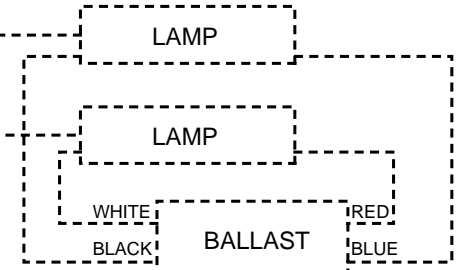


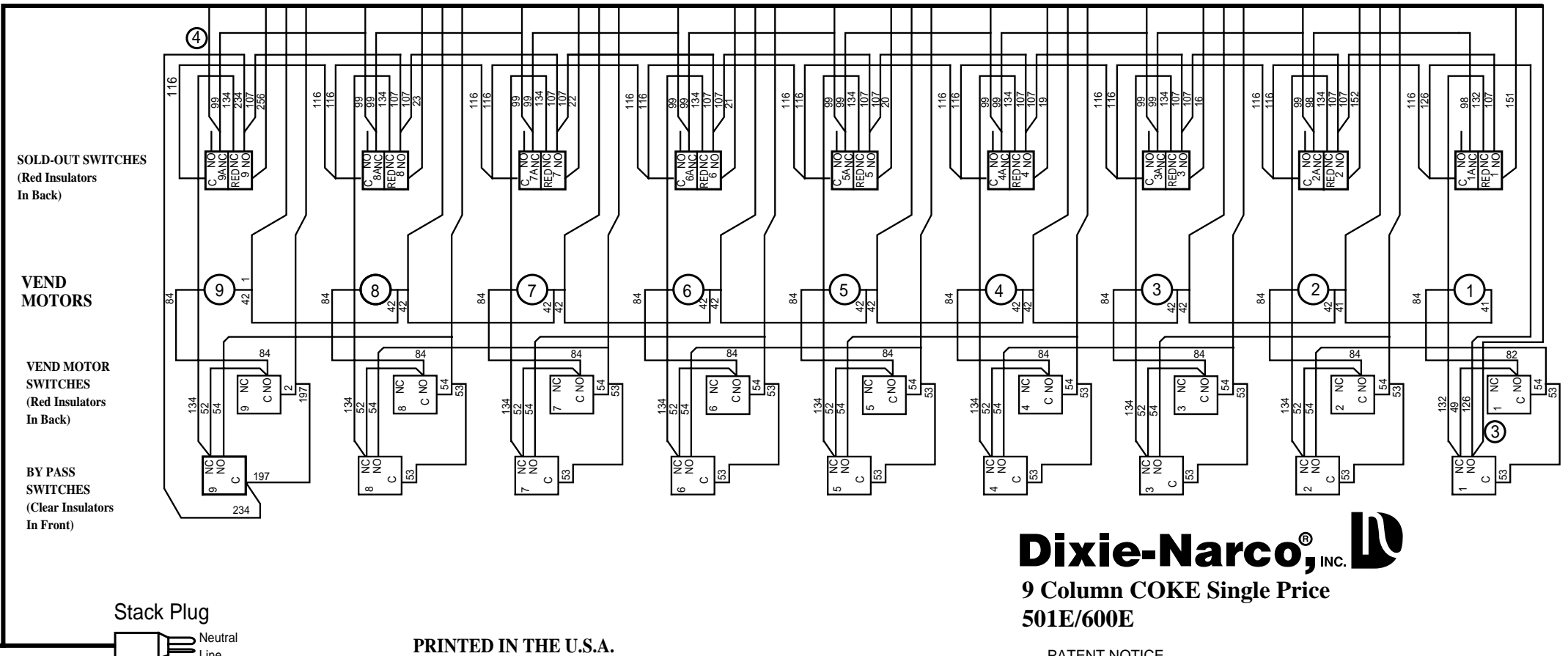
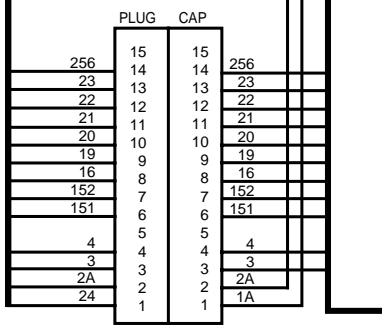
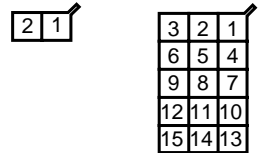
HIGH OUTPUT LIGHTING



SLIMLINE LIGHTING



ON ALL CAPS & PLUGS
PIN 1 IS LOCATED ADJACENT
TO CORNER HAVING RIB.
EXAMPLES:



PRINTED IN THE U.S.A.
D803,847,860.11

Dixie-Narco[®], INC.

**9 Column COKE Single Price
501E/600E**

PATENT NOTICE
This device is manufactured under one or
more of the following United States Patents:
4,298,138 4,264,000
4,705,176 4,509,658