

SNACKSHOP 103

SNACKSHOP 103

SNACKSHOP 103

instruction manual for

SNACKSHOP 103

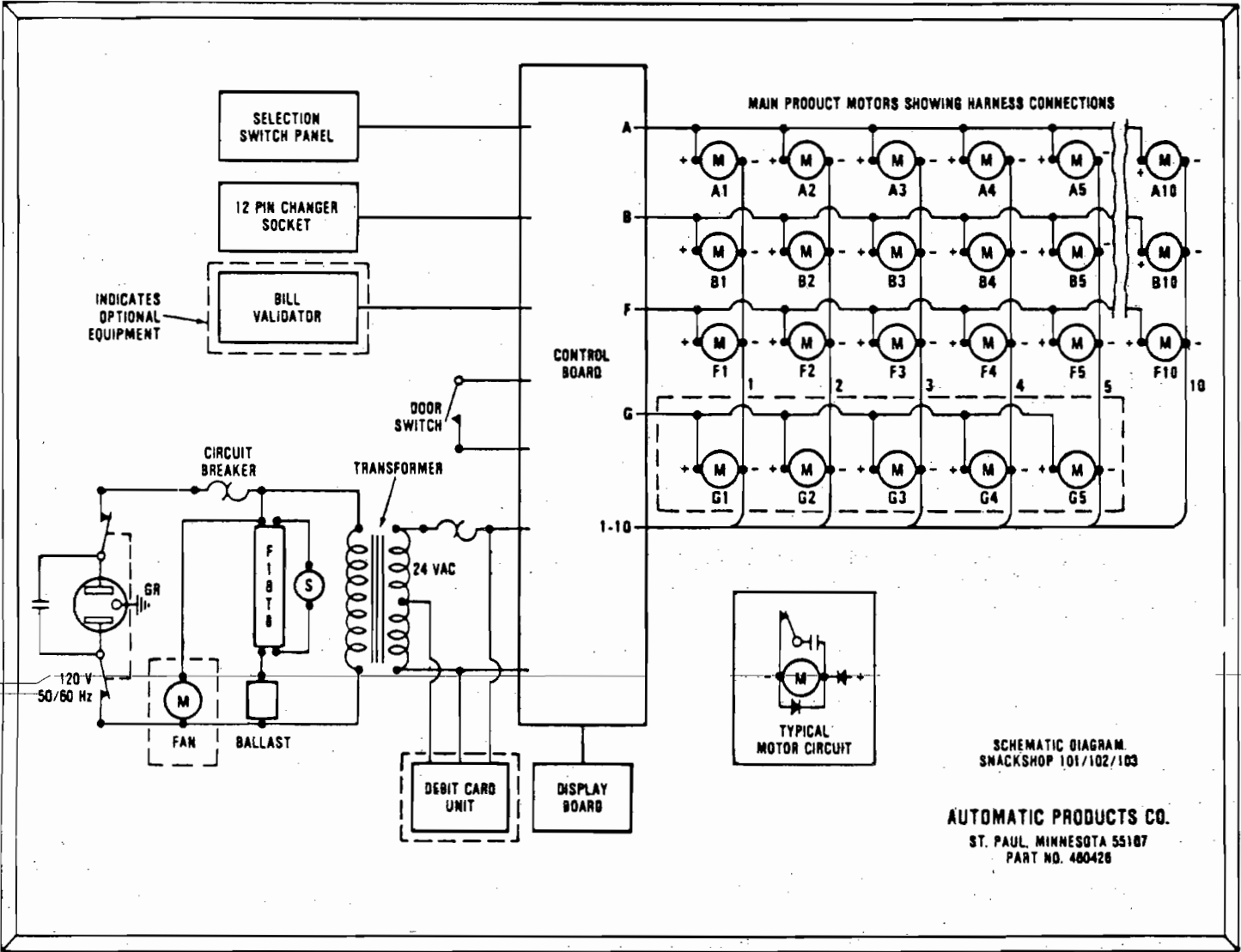


Automatic Products Company

75 WEST PLATO BLVD. • ST. PAUL, MINNESOTA 55107

	Page
SCHEMATIC.....	ii
WARRANTY.....	1
SPECIFICATIONS.....	1
CAPACITIES.....	2-3
UNPACKING.....	4
INSTALLATION.....	4-7
COMPONENTS.....	8
1. Power Supply.....	8
2. Changer.....	8
3. Mode Switch.....	8
4. Operate Mode.....	8
5. Control Service Mode.....	8
6. Price Set.....	9
7. Selection Panel.....	9
8. Vend Motors.....	9
9. Lighting System.....	9
10. Main Product Shelves.....	9
11. Delivery Bin.....	10
12. Coin Return.....	10
13. Coin Acceptance.....	10
14. Removal of Gum and Mint Motors and/or Ejectors.....	10
15. Removal of Gum and Mint Shelf.....	10
OPTIONAL EQUIPMENT	
1. Ventilating Fan.....	11
2. Base Kits.....	11
3. Gum and Mint.....	11
4. Special Spirals.....	11
5. Soup Dispenser.....	11
6. Dollar Bill Validators.....	11
CLEANING.....	10
PARTS LIST	
1. Door-Outside Front.....	12-13
2. Door-Inside Front.....	14-15
3. Cabinet.....	16-19
4. Product Shelves-Snack-Candy-Gum & Mint.....	20-25
5. Delivery Bin.....	26-27
6. Electrical Harnesses.....	28
7. Main Interlock Box.....	28
8. Door-Front Panels and Stylings.....	29-37
9. Connectors.....	38

schematic



SCHEMATIC DIAGRAM.
SNACKSHOP 101/102/103

AUTOMATIC PRODUCTS CO.
ST. PAUL, MINNESOTA 55107
PART NO. 480428

WARRANTY

The Automatic Products Company warrants this vendor, manufactured by it, to be free from defects in material or workmanship under normal use. Our obligation under this warranty is to the original purchaser only and is limited to making good at our factory any part or parts thereof which shall, within two (2) years after delivery of such product to the original purchaser, be returned to us or to our authorized dealer or distributor from whom purchased with all transportation charges prepaid to our factory, and which our examination shall disclose to our satisfaction to have been defective.

This warranty does not extend: 1: To any of our products which have been subjected to misuse, neglect, accident, incorrect wiring, improper installation, or to use in violation of instructions furnished by us; 2: To units which have been repaired or altered outside of our factory; 3: To cases where the serial number of the product has been removed, defaced or changed; 4: To electrical components, lamps, tubes or circuit breakers; 5: To accessories not of our own manufacture used with our products. Any part manufactured by Automatic Products Company, found by us to be defective within the warranty period will be exchanged by Automatic Products Company or their

authorized dealer or distributor without charge to the owner.

This warranty applies only to our products which are used within the United States of America, and is in lieu of all warranties expressed or implied, including, but not limited to implied warranties of merchantability or fitness for a particular purpose, and no representative or person is authorized to assume for us any other liability in connection with the sale of our products.

The Automatic Products Company reserves the right to make any changes or improvements in its products without notice and without obligation, and without being required to make corresponding changes or improvements in products theretofore manufactured or sold.

AUTOMATIC PRODUCTS COMPANY
75 West Plato Boulevard
St. Paul, Minnesota 55107

Snackshop 103 has been designed from superior engineering and with quality throughout. It has been built of rugged construction for many years of reliable trouble-free operation. Note: (For Indoor use only)

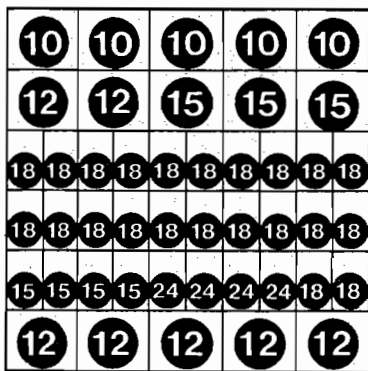
To achieve the most economical trouble-free operation from your Snackshop 103, it is recommended that this service manual be thoroughly read and instructions followed pertaining to all loading and servicing, etc., of the vendor.

Should you have questions pertaining to this manual or the vendor, please contact your Automatic Products Company distributor or write directly to:

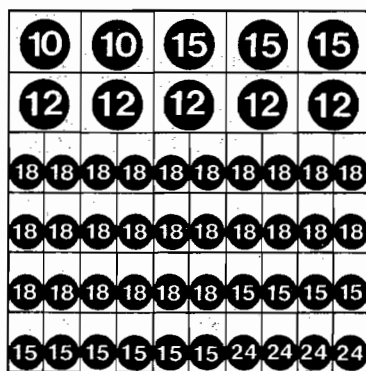
Service Manager
Automatic Products Company
75 West Plato Boulevard
St. Paul, Minnesota 55107

SPECIFICATIONS

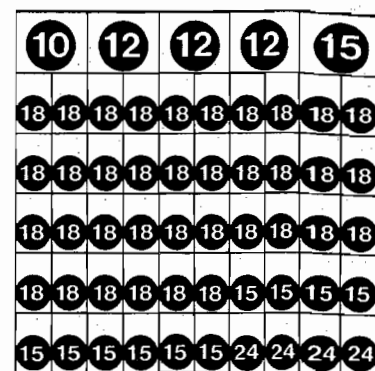
HEIGHT – 72" WIDTH – 38-7/8" DEPTH – 35"
FLOOR SPACE REQUIRED – 9.5 SQ. FT.
SHIPPING CONTAINER SIZE – 72.5 CU. FT.
POWER REQUIREMENTS – 115 V., 60 HZ.
STANDBY AMPERES – .7 OPERATING AMPERES – 3



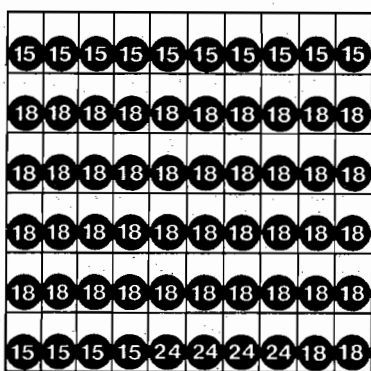
MODEL 103-645
Capacity as shown: 731 Units



MODEL 103-650
Capacity as shown: 839 Units



MODEL 103-655
Capacity as shown: 955 Units



MODEL 103-660
Capacity as shown: 1062 Units

PRODUCT SIZE CAPABILITY

SHELVES	HEIGHT	WIDTH of Snack Shelves Only	WIDTH of Candy Shelves Only	DEPTH OF Snack Spirals Only Choice:	DEPTH OF Candy Spirals Only Choice:
Top	7-3/4"	2½" to 5¼"	1" to 2¼"		12 – Item Spiral 1-7/8"
Second	7-1/4"	2½" to 5¼"	1" to 2¼"	7 – Item Spiral 2-1/2"	15 – Item Spiral 1-5/16"
Third	6-5/8"	2½" to 5¼"	1" to 2¼"	10 – Item Spiral 2-1/16"	18 – Item Spiral 1-1/16"
Fourth	7-1/4"	2½" to 5¼"	1" to 2¼"	12 – Item Spiral 1-11/16"	24 – Item Spiral 3/4"
Fifth	6-3/4"	2½" to 5¼"	1" to 2¼"	15 – Item Spiral 1-5/16"	30 – Item Spiral 1/2"
Sixth	6-1/4"	2½" to 5¼"	1" to 2¼"		

Ten selection shelves for candy and other narrow items fit on all six positions.

Spiral of one item capacity can be freely interchanged with any other of the same diameter.

Boxed items may need slightly larger clearances to vend properly.

Movable spacers available to adjust widths to ranges shown in each selection.

Gum-and-Mint Capacity. It is difficult to determine the true capacity due to variations of product size. The average capacity for the Gum-and-Mint Shelf is 170 items.

unpacking

The Snackshop 103 is assembled and packed so that a minimum amount of time is necessary for preparation to install it on location. The following steps are recommended to insure correct unpacking.

1. **Shipping Damage:** Thoroughly inspect the exterior of the carton for damage which may have occurred during shipment. Report any damage to delivering carrier and follow their instructions.
2. Remove staples from lower edge and those at top of carton, and slit carton vertically at the taped corner. Open and remove carton. Remove the remainder of the packing material. On machines shipped with lock in place, the keys are stapled to the carton base.
3. **Remove Vendor With A Fork Lift Truck:** Remove the carton from the vendor. Open the door on the vendor and remove the hold down bracket at the front center of the cabinet base and close the vendor door. From the front of the vendor tip the vendor backward and run forks under the cabinet.
4. **Removing Vendor Without A Fork Lift Truck:** Remove the carton from the vendor. Remove $\frac{1}{4}$ " piece of plywood

located just behind the front legs, then open the door on the vendor and remove the hold down bracket at the front center of the cabinet base and close vendor door. From the front of the vendor tip the vendor back far enough to clear the wood strip across the front of the base. Slide vendor toward the back until the back legs are off the base and pull base out.

NOTE: Because the weight concentration is toward the back of the cabinet, trucking and lifting should be done from the back. CAUTION should be taken when trucking from side.

5. On machines with lock in place, unlock, and turn handle to open door. When no lock is furnished, remove tape and turn handle. Swing door to its full open position.
6. Remove all packing tape and paper from various areas of machine and the shipping strap.
7. **Warranty:** The warranty card is attached to the cover of this manual. It must be filled out in full and mailed at once to insure coverage.

installation

1. **GENERAL:** In some locations, due to the size of this machine it is not possible to move the fully assembled machine through doors or narrow hallways. For such locations the door of this vendor can be removed, thus reducing the clearance required down to 32 inches.

DOOR REMOVAL: To remove the door, swing door to 90 degrees. Remove bolt and washer on door end of door stop. Remove the screw to the clamp of the door harness and unplug the door harness from the cabinet and the light harness from the main interlock box. The upper hinge is secured to the cabinet by one bolt extending through the hinge from the inside of the cabinet. Remove the bolt with a $\frac{1}{2}$ socket. Pull the door forward, the top hinge plate will slide out of its guide, freeing the door. Lift the door off of the lower hinge. Remove the left side panel extension which is held on by four screws. Remove the cabinet to door filler assembly which is held on by twelve screws. To install the door, reverse the above procedure.

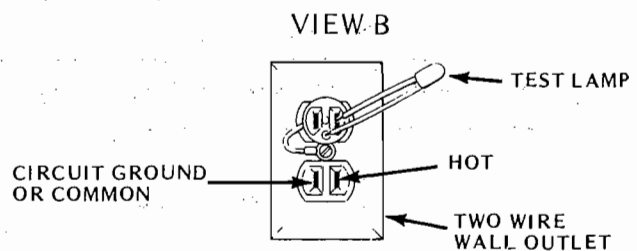
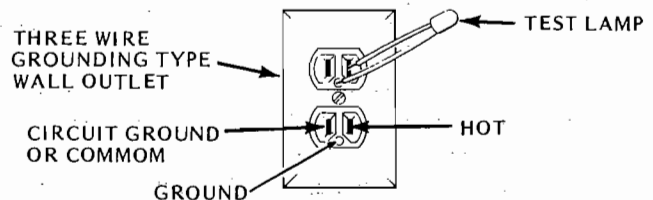
2. **LEVELING THE MACHINE** on location is important for the proper function of the machine. The four leveling screws in the legs are the means of leveling the machine. After positioning the machine, level machine in front to rear and right to left directions. After leveling, turn front right (lock side) leveling screw in about one-half turn to drop this corner slightly to make the door easier to close and lock.
3. **THE MAIN POWER CORD** is shipped fully inside the machine. Extend it through the hole located in the base on the left (hinge side) of the machine behind the transformer. Install the plate with key hole slots over the two screws in the base by the cord hole and drive screws tight

to hold cord in place. Plug the 3 pin grounded plug into a properly grounded 115V 60 HZ outlet only.

In order to comply with electrical safety regulations and Underwriters Laboratories requirements, all electrical equipment must be properly polarized and grounded. The Snackshop 103 is wired so that it is properly polarized in accordance with the electrical code. If the wall outlet is wired and grounded properly, then the vendor will connect properly.

Shown in View A & B are two properly grounded and polarized wall outlets. One is a three wire grounding type wall outlet (see View A) and one is a two wire wall outlet (see View B) with an adapter in place. To make a polarity check use a 115 volt neon test lamp as shown or a volt ohm meter. The hot side of the circuit should always be counterclockwise from the ground terminal (which should be at the bottom).

Should the polarity at the wall outlet show any way other than that shown below, the outlet should be rewired.



4. **LOADING SNACK SHELVES:** Open door to full open position, push down on white plastic lock lever (Figure 1) on right side panel by shelf to unlock shelf, holding lever down. Grasp the shelf slightly and pull forward until shelf reaches its stop. The shelves tilt down (do not drop) to make loading easier. Only one product shelf should be in the loading position at a time. When returning a shelf, be sure the shelf is in its full home or vend position. Begin loading with the top shelf. Move it to the loading position. The height spacing for items is greatest in this shelf and the tallest bagged items should be placed there. Soft items, such as pastry, pies, etc., should be placed in the lowest snack shelf, making the drop distance as short as possible.

IMPORTANT: Product must not be forced into the spiral spaces but should fit freely. If the product is too tight, use a larger pitch spiral. The bottom of the product should be placed on top of the spiral wire that rests on the shelf surface (see Figure 2). The width of the product must be greater than the diameter of the snack spiral. If it is smaller, the product may fall through when it is in the front, ready to vend position.

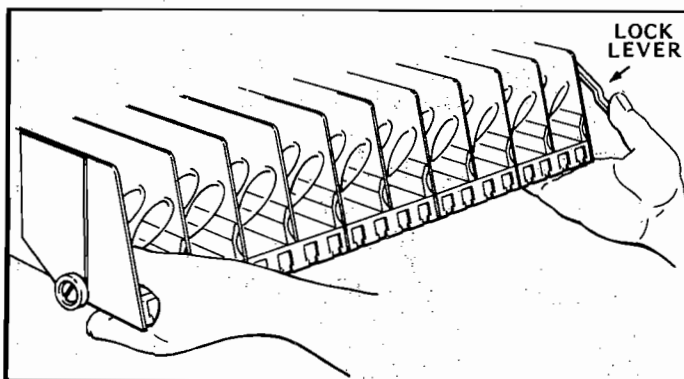


Figure 1. MOVING SHELF TO LOADING POSITION.

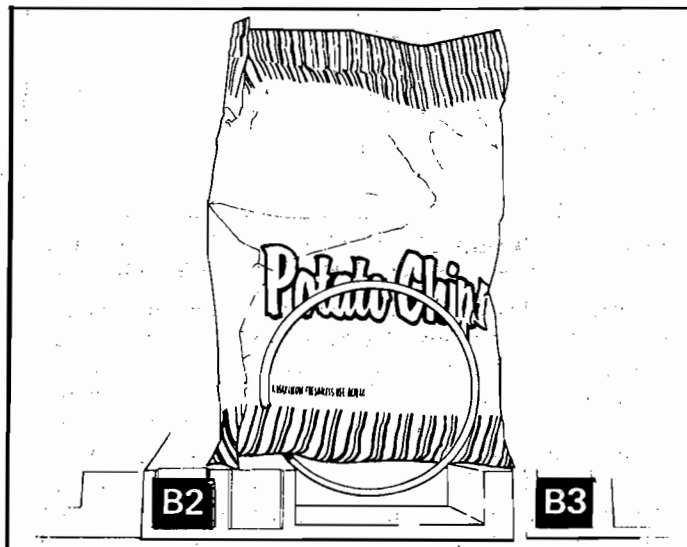


Figure 2. PLACEMENT OF PRODUCT ON MAIN PRODUCT SNACK SHELVES AND FRONT END POSITION OF SPIRAL.

5. **REMOVAL OF SPIRAL:** Grasp the front of the spiral and turn it clockwise. Lift the spiral up and off of the spiral lock. When replacing a spiral attach it around the tab on the spiral lock and turn the spiral counterclockwise to lock it in place. Be sure the front end of the spiral is positioned properly (with the front end of the spiral pointing downward on the left side) (see Figure 3). The spiral lock is attached between the spiral retainer tabs. Give a light forward pull on front of the spiral to check if it is locked in place.

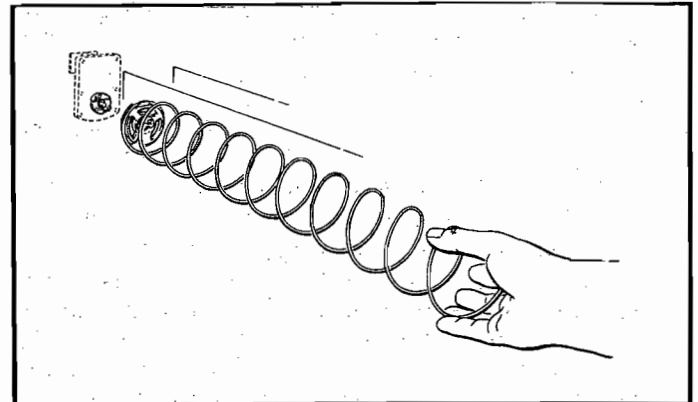


Figure 3. REMOVING AND INSTALLING SPIRAL.

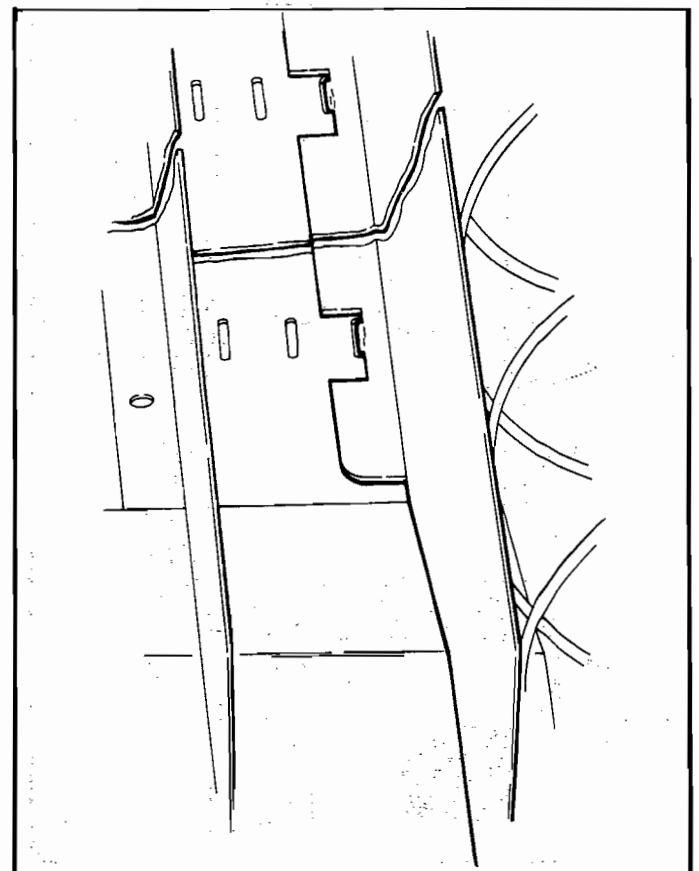


Figure 4. ALIGNMENT OF MOVEABLE PRODUCT SPACERS.

installation

6. **PRODUCT SPACERS—5 SELECTION SHELF:** A product spacer is used to reduce the width of the product area and should be used on any 5-selection snack shelf where the product width is $4\frac{1}{2}$ " or less. Spacers should fit within $\frac{1}{8}$ " of the product but should not fit tight against the product. There are three positions in each snack space where these spacers can be placed. To install the spacer, align the lock ears (on the lower edge of the spacer) with one of the three sets of slots (one front and one rear). (See Figure 4). Push the spacer to the rear to allow the ears to enter the slots, then allow the spacer to move forward. Be sure the ears are in the same set of slots, front and rear. (See Figure 4). Continue loading all spirals adjust with spacers where needed in the top shelf. Return the top shelf to the vend position and following this procedure load the remainder of the large spiral shelves. The shelf divider separating the right (lock side) column from the next column is movable to allow vending of products wider than $5\frac{1}{2}$ " in the second column. If this is used the right column must be used to vend a narrower product.
7. **LOADING MAIN PRODUCT CANDY SHELVES:** The 10-selection (candy type) shelves are loaded similar to the 5-selection shelves except that the bottom of the product sits on the shelf in front of the spiral wire (see Figure 5) that rests on the shelf. These products must also fit properly in the spiral space; do not force product into spiral.

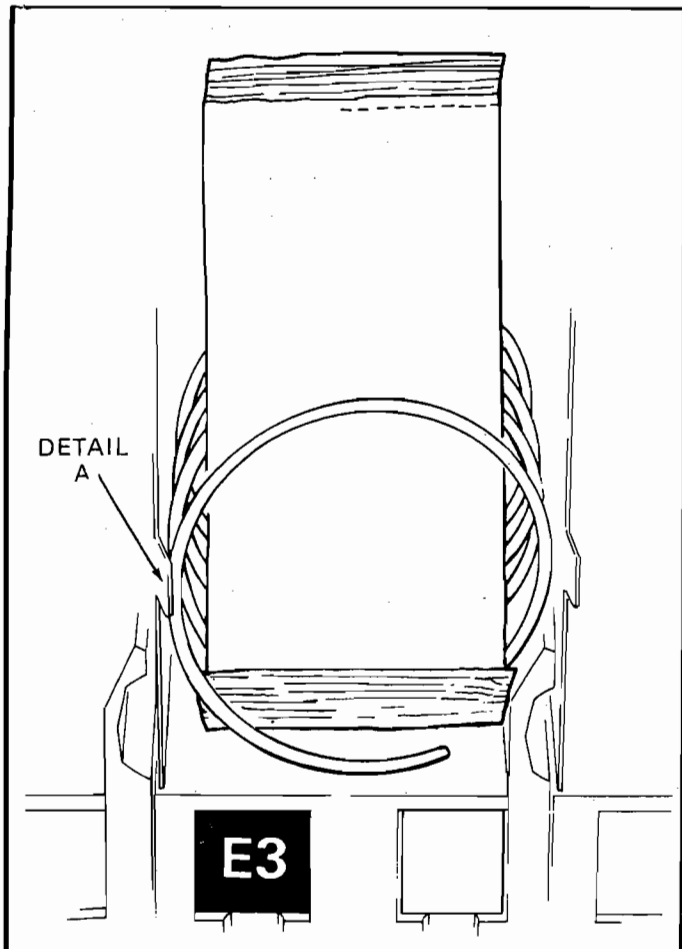


Figure 5. **PLACEMENT OF PRODUCT ON MAIN PRODUCT CANDY SHELVES AND FRONT END POSITION OF SPIRAL.**

These spirals are removed and installed the same as the large spiral (see Figure 3), except that the front end position is different (approximately 5 o'clock) (see Figure 5) and the front left side of the spiral must be behind the small tab located on the left side of the product space side wall (see Figure 5, Detail A).

8. **PRODUCT SPACERS—10 SELECTION SHELF:** The 10-selection shelves are equipped with a product spacer (see Figure 6) that can be pivoted from the right side of each product space. These spacers should be pivoted out to hold the product upright, but not tight against the product. Leave about $\frac{1}{8}$ " clearance between the spacer and the product.

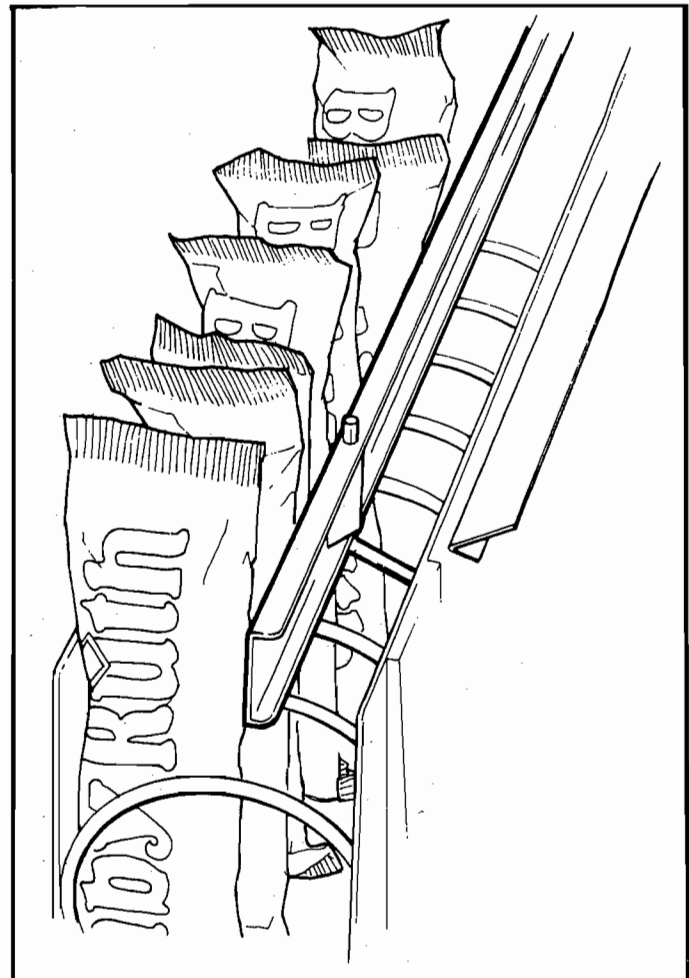


Figure 6. **10 SELECTION SHELF PRODUCT SPACER POSITIONED TO HOLD CANDY UPRIGHT.**

9. **PRODUCT PUSHER:** The machine contains enough pushers for you to install a pusher on each candy spiral. This plastic part is designed to push the top of the product forward while it is vending, helping it fall from the shelf. It can also be used with products that have the wrapper end flap on the outside of the package. In this case, the pusher prevents these products from hanging on the spiral by spreading the flap. The pusher is installed approximately 210 degrees from the front end of the spiral with the tab extending forward (see Figure 7). Locate the pusher in its proper position, hold it against the spiral wire and push the semi-circular part around the spiral wire. Note: Not every selection spiral will need a product pusher. (Example—Box Items)

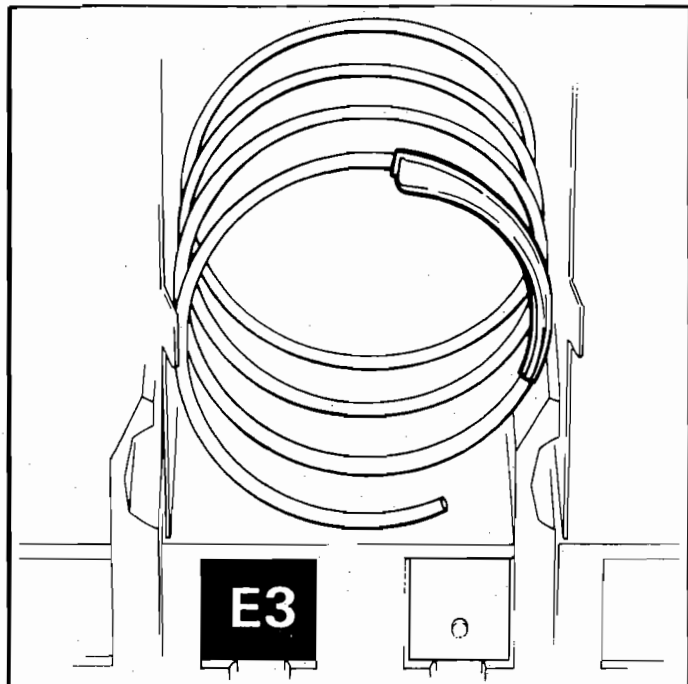


Figure 7. LOCATION OF PRODUCT PUSHER ON SPIRAL.

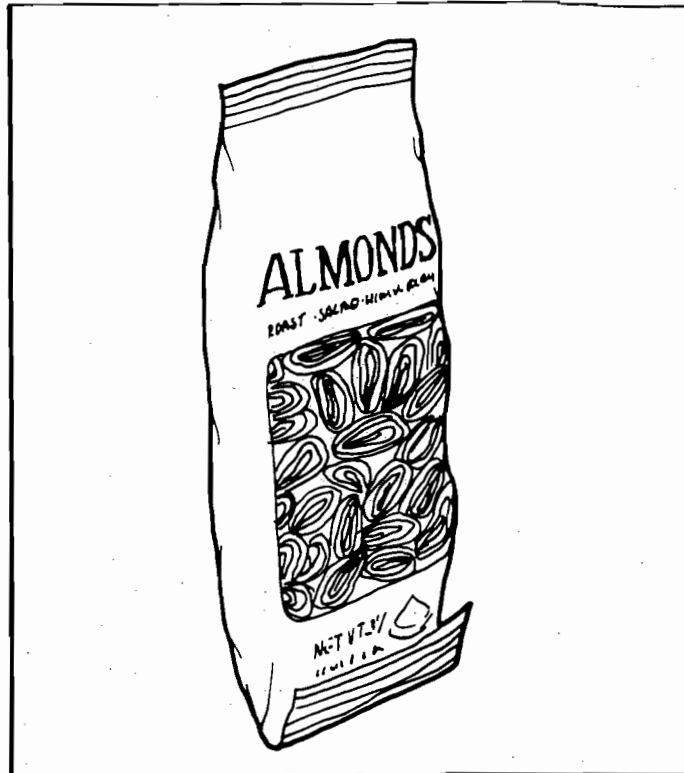


Figure 8. FOLD BAGGED ITEMS BOTTOM EDGE FORWARD AND UP.

10. BAGGED OR BOXED ITEMS in the 10-selection shelves if not loaded properly could be a problem. The sealed edge of the bag may get under the spiral wire causing the product to hang up after it has been vended. It is recommended that the lower edge of these types of product be folded forward and up (see Figure 8) next to the product before inserting into the spiral space. It is also recommended to use an 18 count spiral for bagged items because of the product settling to the bottom of the package.

11. CIGARETTE VENDING FROM SNACKSHOP 7000: Cigarettes can be vended from the candy shelves using the (15 capacity) spiral for the soft pack regular, king, 100mm or 120mm packs. The (12 capacity) spiral should be used for (box) packs.

12. LOCK PRODUCT SHELVES. After all the product has been loaded be sure all shelves are returned to their vend position behind the front roller guide.

13. INSTALL PROPER PRICE TABS into price tab holder for each selection in the main product area. (See Figure 9.)

14. LOADING GUM AND MINT. The Gum and Mint shelf is located below the Snack Shelves (optional). Unlatch the shelf by pulling forward the two metal latches located to the right and left of the shelf and pull forward. The cover can be pushed back to the rear for easy loading. The shelf contains five individual selections.

The first selection on the left contains two fillers for use with thin mints. (Roloids - certs, etc.). These fillers can be removed for standard gum or mints.

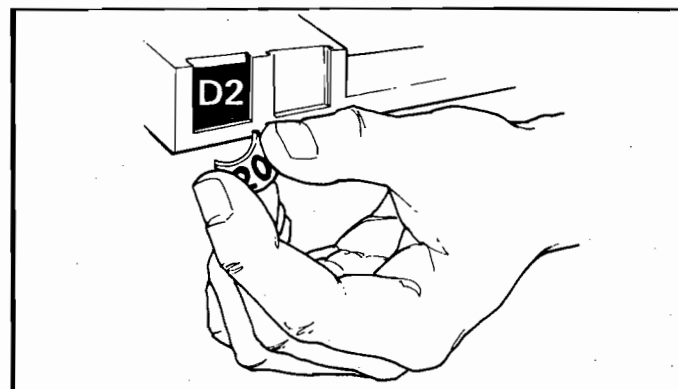


Figure 9. INSTALLING PRICE TABS.

The two selections on the right of the Gum and Mint shelf also have fillers. These selections can be used for standard size gum and mints or the fillers may be removed for larger gum and mint products.

Each selection has a display hinge assembly which should be adjusted after the shelf is loaded. To adjust the display hinge, loosen the wing nut and slide the spring hinge of the flipper over the second product and fasten tightly.

components

1. POWER SUPPLY

The 115 VAC power cord from the wall outlet comes into the machine and plugs into the left side of the main junction box located on the bottom hinge side of the machine. The other four connections on the junction box are for the transformer, lights, fan (optional) and power plug to the control board. All these connections are different so you cannot plug them in wrong. The 115 VAC cord goes to the toggle switch (on/off) inside the box and then to the circuit breaker. The 115 VAC goes to the transformer in which the voltage output is then 24 VAC. The voltage goes through the circuit breaker and up to the PI position (wires 11 & 12) on top of the control board.

2. CHANGER

The Snackshop 103 can use either a Mars (TRC-6010) or Coinco (9302L) changer. Both changers are **24 Volt**. Before installing or removing a changer make sure the power is off. The changer is to be mounted to the door below the coin entrance chute with the three screws provided. After securing the changer to the door plug the changer into the receptacle plug making sure the changer cord is clear of the coin return lever operation. (Refer to the changer manufacturer on the installation and operation guide of the changer). Load change into the payout tubes and turn your power switch on.

3. MODE SWITCH

The Snackshop 103 has only one mode switch that allows control of the machine functions. It is located on the control board. This switch will allow three modes of operation — operate (normal mode), control & service mode, and price setting mode.

4. OPERATE MODE

The operate mode is the normal vending position. This position allows three functions:

- A. Pressing a selection will display the price of that selection. If any selection is not operating or not programmed in the machine a beep will sound and the display will read "Make another selection".
- B. Insertion of coins will display "Credit" and the amount.
- C. Customer instructions will appear on the display "Make another selection", "Use correct change", or "Check selection price" for those three conditions which might occur.

NOTE: If in any of the other modes of operation the mode switch or coin return has to be depressed to get back into the operate mode.

5. CONTROL-SERVICE MODE

The mode switch on the control board should be pressed once to enter the control-service mode. Upon pressing the switch all non-operating selections will be displayed. Entering into the service mode use of the selection buttons is necessary for the following functions:

- Press #1 — Dispenses 5¢ coins from the changer.
Press #2 — Dispenses 10¢ coins from the changer.
Press #3 — Dispenses 25¢ coins from the changer.
Press #4 — Displays escrow y/n.

(**NOTE:** y/n use is for yes or no. Pressing #4 changes the position of the flashing letter. This display indicates which way the bill will be taken.)

Press #4 — In the "yes" mode the bill will be escrowed so if you push the coin return button you will get that bill back. If the selection is priced over a dollar (Example A: is \$1.25) the bill validator will not take a second dollar. You must use a dollar and insert change. In the "no" mode the bill will not be escrow-

ed (goes directly into the stacker) so if you push the coin return you will get back change.

Press #5 — Displays-force y/n. (**NOTE:** y/n use is for yes or no. Pressing #5 changes the position of the flashing letter.) Pressing #5 in the "yes" mode when pricing in the machine is above a dollar the bill will be taken and you must buy a selection. In the "no" mode allows you to make a selection or if you change your mind push the coin return button to get your money back.

Press #6 — Provides the only stored data available which tells first the vend count (total vends). Pressing #6 then gives the cash meter (total cash). Pressing #6 then gives bills (total bills accepted).

Press #7 — Displays multi y/n. (**NOTE:** y/n use is for yes or no. Pressing #7 changes the position of the flashing letter.) When multi vend is in the "yes" mode after a dollar bill or change is inserted will register the amount on the digital display. When a selection is made the amount on the digital display will deduct the price of that selection. At this time the total cash will be displayed of the amount left of that dollar so that another selection may be made without inserting more money. You, therefore, can push the coin return for your change or make as many selections you want to until the digital display reads below the lowest selling price in the machine, then the rest of the money will be paid automatically. **NOTE:** When using the shoppers mode, there is also a delay time incorporated on the control board. If a customer does not make another selection after a period of 10-15 seconds the changer will pay back automatically.

Press #8 — Displays the number of which type coin mechanism is to be used.

Press #9 — Displays free vend y/n. (**NOTE:** y/n use is for yes or no. Pressing #9 changes the position of the flashing letter.) When using the "yes" mode push the coin return button and you can now free vend or test each motor. Closing the door removes the test mode to the "no" mode automatically.

Press #10 — The Message Program Mode may be entered by using the code 1DE5. Upon entering this code the message can be changed to what ever message you want to program. The first nine characters of the user message are displayed beginning with a special start character **␣**, which also indicates the boundaries of the display. The cursor is in the eighth character and is flashing this symbol **␣**. Using the letter "A" on the selection panel will change the cursor to any of these characters:

- Word space
- \$ Dollar sign
- ' Apostrophe
- () Parenthesis
- ␣ Character used for boundaries of display buffer
- + Plus
- , Comma
- Dash or Minus
- . Period
- / Slash
- 0-9 Numbers
- ? Question Mark
- A-Z Letters
- ␣ Character used for end of message

When programming a message with the letter "A" and you pass up the letter or symbol you are looking for you may reverse the character direction by pressing the letter "B".

Establishing the character you can push #1 to move the cursor over to the right for the next character. Use #2 button to move the cursor back to the left, if it is moved over to the right to far. (NOTE: Pressing "A" or "B" — #1 or #2 for more than one second accelerates the cursor motion.)

After your message has been programmed depress the coin return button, push the mode switch twice or door operate switch to get out of the message program.

6. **PRICE SET MODE**

The mode switch on the control board should be pressed twice to enter into the price set mode or once from the service mode. The display will then show .00 To set prices push the numbers (1-10) needed to change the display (Example 7 & 5 will display .75) Pressing the letter and then number (A-1) you will get two beeps indicating that selection price is set. To cancel the price display push letters, H, J, or K.

7. **SELECTION PANEL**

The selection panel (see figure 10) on the Snackshop 103 incorporates that use of a self enclosed membrane switch panel. This eliminates the need for individual switches and wiring. The membrane switch panel is housed in a stainless steel panel with individual buttons protecting the switch face. The casting front also houses the display lens. The display lens give instructions to the customer for three conditions which might occur (make another selection, use correct change, or check selection price). The display lens also can carry any message which can be programmed. For example "Have a good day."

8. **VEND MOTORS**

The Snackshop 103 incorporates the use of a high RPM DC motor. Due to the new design, the vend motor may no longer be homed by hand. **DO NOT TRY TO TURN THE SPIRALS BY HAND. DAMAGE TO THE MOTOR WILL RESULT.** It is also important to check polarity before applying current to the motor. Two diodes and a capacitor are used to prevent circuit feedback and may have to be checked when trouble shooting motor problems.

9. **LIGHTING SYSTEM:**

There is only one fluorescent lamp in the Snackshop 103. The lamp is located in the top of the door, and lights the main product area and the product sign, if used. The starter is located on the hinge side of the lamp. The ballast for the circuit is located on the main junction box.

10. **MAIN PRODUCT SHELVES:**

There are five or six main product shelves per machine. Each containing either five or ten selections. Each selection has its own motor mounted to the back of the shelf. Every shelf has its own harness and plug for connecting to the remainder of the circuit through the cabinet receptacle, located in the rear center of the cabinet. The motors are the same on either type shelf. It is now possible in the Snackshop 103 to exchange a five selection shelf with a ten selection shelf or visa versa. You also have the capability to gain 1/2 inch either up or down on the second and/or fifth shelf. To do this the shelf should be removed and the cabinet back harness receptacle lowered or raised. The six rollers on that particular shelf then should be lower or raised also.

NOTE: When exchanging the shelves, you will not need any parts, but you will have to reprogram the machines for prices and selections.

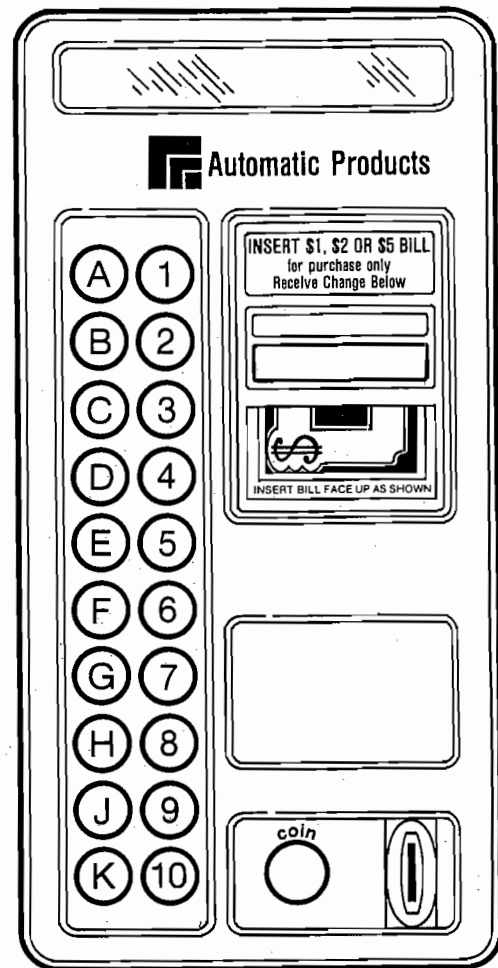


Figure 10

REMOVAL OF PRODUCT SHELF:

- A. Lift up and push the lock lever toward the back of cabinet. See Figure 1, Page 5.
- B. Pull the shelf to its loading position.
- C. Grasp shelf in front and rear center. Lift front of shelf up above horizontal and pull shelf forward while lifting.
- D. To install shelf, reverse above procedure.

11. **DELIVERY BIN:**

This is located below the display window on the door and is mechanically operated. The linkage on the outside ends of the delivery bin may require occasional lubrication. Should the door become difficult to operate, place a small amount of grease on the arm tracks.

REMOVAL OF DELIVERY BIN:

- A. Remove the screws from the underside of the delivery bin. These screws fasten into the lower door brace and remove the two screws and brackets at the top of the delivery bin.
- B. Grasp delivery bin on both sides and lift up and pull back. Should bin be tight, rock it by lifting on one end, then the other.

components

REPLACEMENT OF DELIVERY BIN:

- A. Locate lip on front edge of delivery bin over lower edge of opening in door and behind trim. Press down along lip to make sure it is fully engaged between door and trim.
- B. Install the four screws and two brackets, to secure bin to door.

12. COIN RETURN:

The coin return lever is located on the sliding panel and the coin return linkage is located above the changer, scavenges the slug rejector. Actuation of the coin return lever will clear the rejector of any damaged coins and will also cancel all credit on the changer, returning that amount to the customer.

13. COIN ACCEPTANCE:

A coin or coins (5¢, 10¢ or 25¢ coin) being deposited pass thru the rejector and into their respective coin paths in the changer establishing the credit. The coins then enter either the self-load change tubes on the changer or the cash box. Actuation of the coin return lever prior to making a selection will cancel all credit on the changer and will return the amount of deposit back to the customer.

14. REMOVAL OF GUM AND MINT MOTOR AND/OR EJECTORS:

Disconnect the two wires going to the motor and remove the four screws holding it to the shelf. The components attached to the front base can also be replaced. These consist of the gum and mint shelf front (Price tabs and selection), gum and mint shelf front base, gum and mint display front stop (plastic) and the gum and mint ejector.

NOTE: Before replacing the gum and mint motor it would be helpful to tap the motor first with the screws. Assemble the four components together and mount them to the motor making sure that the head crank of the motor is inserted into the ejector. Replace the four screws and test vend that selection for proper operation.

15. REMOVAL OF GUM AND MINT SHELF:

Below the gum and mint shelf remove the two screws holding the gum and mint receptacle harness bracket (Page 18, Item 15). Loosen the other two screws on each end of the gum and mint pusher stop strap (Page 24), Item 20) and disengage it from the cabinet. Grasp the shelf and pull the shelf straight out. With the shelf out you can replace the gum and mint pusher (Page 24, Item 31) by removing the screw (Page 24, Item 21). Reverse the procedure to replace the shelf. Pay special attention when you put the gum and mint pusher stop strap back on that all the gum and mint pushers have spring tension and are behind the strap.

cleaning

The Snackshop 103 will do the best merchandising job for you if it is kept clean. The display window can be cleaned with any good glass cleaner. The exterior and interior surfaces should be cleaned with warm water and mild detergent. Rinse thoroughly and dry all surfaces.

CAUTION:

Do not use any cleaners containing silicon as this could cause electrical failures.

The main product shelves can be best cleaned with the spirals and product spacers removed. Refer to page 5 for removal of spirals and page 6 for removal of the product spacer. We do have cleaner available that we feel is superior to any other

cleaners we have tried in the past. The cleaner (Part # 460386) comes in a 20 ounce aerosol can and is used by spraying a good coating over the surface to be cleaned, then letting the cleaner set for 3 to 3½ minutes and wiping it off. After the shelf has been cleaned a neutralizer (Part # 460387) should be sprayed on and wiped off. The neutralizer will have to be transferred to a smaller bottle with a sprayer. There are openings in each end of the delivery bin at the back for cleaning out dirt.

Clean the acceptor on the changer frequently as accumulated dirt in this area can cause coins to hang or not be accepted. Follow recommended cleaning procedures as described by the manufacturer.

1. VENTILATING FAN: (Kit #750102)

The ventilating fan operates on 115 volts and keeps a steady flow of fresh air moving through the vendor cabinet.

Installation of the ventilating blower takes but a few minutes and requires no additional wiring; all the vendors are wired with a plug for the fan. Installation instructions are sent with the kit.

2. BASE KITS:

Base kits are available to make the vendor compatible with other manufacturers.

3. GUM-AND-MINT:

Gum-and-Mint units are available as an option with Snackshop 103 vendors.

For information pertaining to loading or servicing gum-and-mint unit, refer to this service manual for loading instructions and for service instructions.

4. SPECIAL SPIRALS:

Special candy spirals are available for use in the five (5) selection snack shelves. For the sake of identification, the back end of these spirals are colored RED and should never be used in the ten (10) selection candy shelves.

These spirals allow vending products that are too wide for the standard candy columns but may be too thin for the

regular snack spirals. A product pusher and spacer should be used where required. Part numbers for these special spirals are as follows:

400139	12 space special spiral
400140	15 space special spiral
400141	18 space special spiral
400142	24 space special spiral
400143	30 space special spiral

NOTE: The difference between the standard candy spiral and the special candy spiral used in the wide snack columns is in the overall length of the spiral. The special spiral is shorter than the standard candy spirals.

CAUTION: Do not attempt to use the special candy spirals in a ten (10) selection shelf.

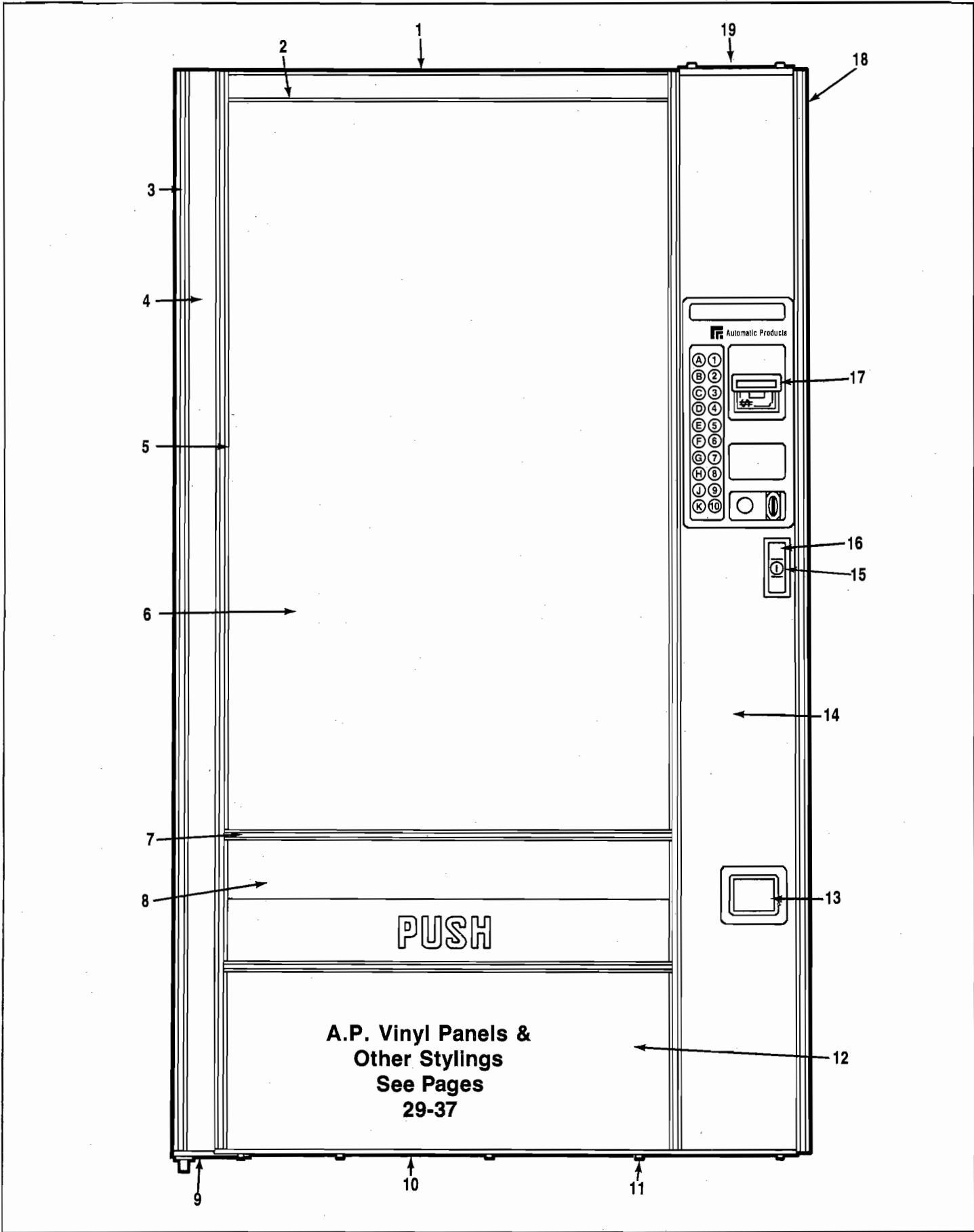
5. SOUP DISPENSER. (Kit 750083)

A canned soup dispenser is available as an option for use in the five selection snack shelves. The dispenser is easy to install and holds up to nine cans in the unit.

6. DOLLAR BILL VALIDATORS

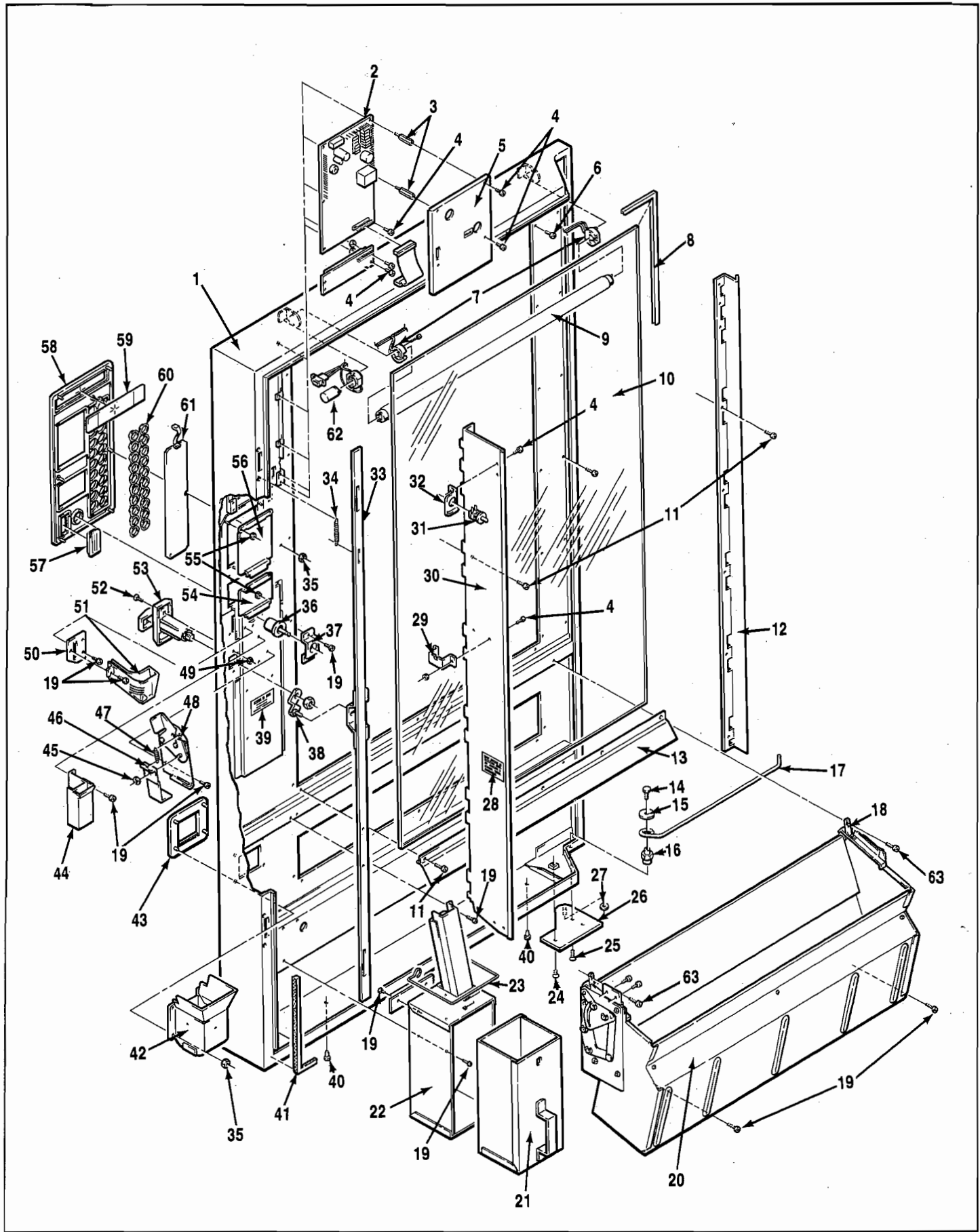
There are two available validators Maka (Part #420147-1) and Maka (Part#420154-1). Both these units operate on **24 volts**. The validators take but a few minutes to install and may be purchased through the manufacturer of that unit.

door — outside front



Item No.	Part No.	Description
1	340044-9	Top Trim Vantage.
2	201690-2	Top Trim Insert. True Grit Black.
3	340057-2	Trim Outside Vertical. Black. Right & Left Side.
4		
5	340058-46	Trim Vertical. Window. Black, Right & Left Side.
6	440271	Front Window. (44 5/8 x 26 7/8 x 3/16).
7	340058-5	Trim Horizontal. Window. Black.
8	201356-1	Delivery Tray Panel. True Grit Black.
9	640154	Assembly, Lower Door Hinge Plate.
10	201678	Bottom Door Edging.
11	315-6R6	Screw Pan Hd. #2 Drill Pt 6-20.
12	201692-1	Lower Horizontal Panel. Black.
13	440296	Coin Cup Trim.
14		
15	420071	Ace Lock W/2 Keys.
	420071-1	Ace Lock W/1 Key.
	420071-2	Ace Lock W/O Key.
16	660319	Assembly Lock Handle W/Lock Arm & Nut.
	420146	Lock Handle Only.
17	660368	Assembly Complete. Selection Panel. See Page #14 for Itemized Parts.
18	600499	Door Only. Specify Color.
19	201678-1	Top Lock Door Edging.

door — inside front

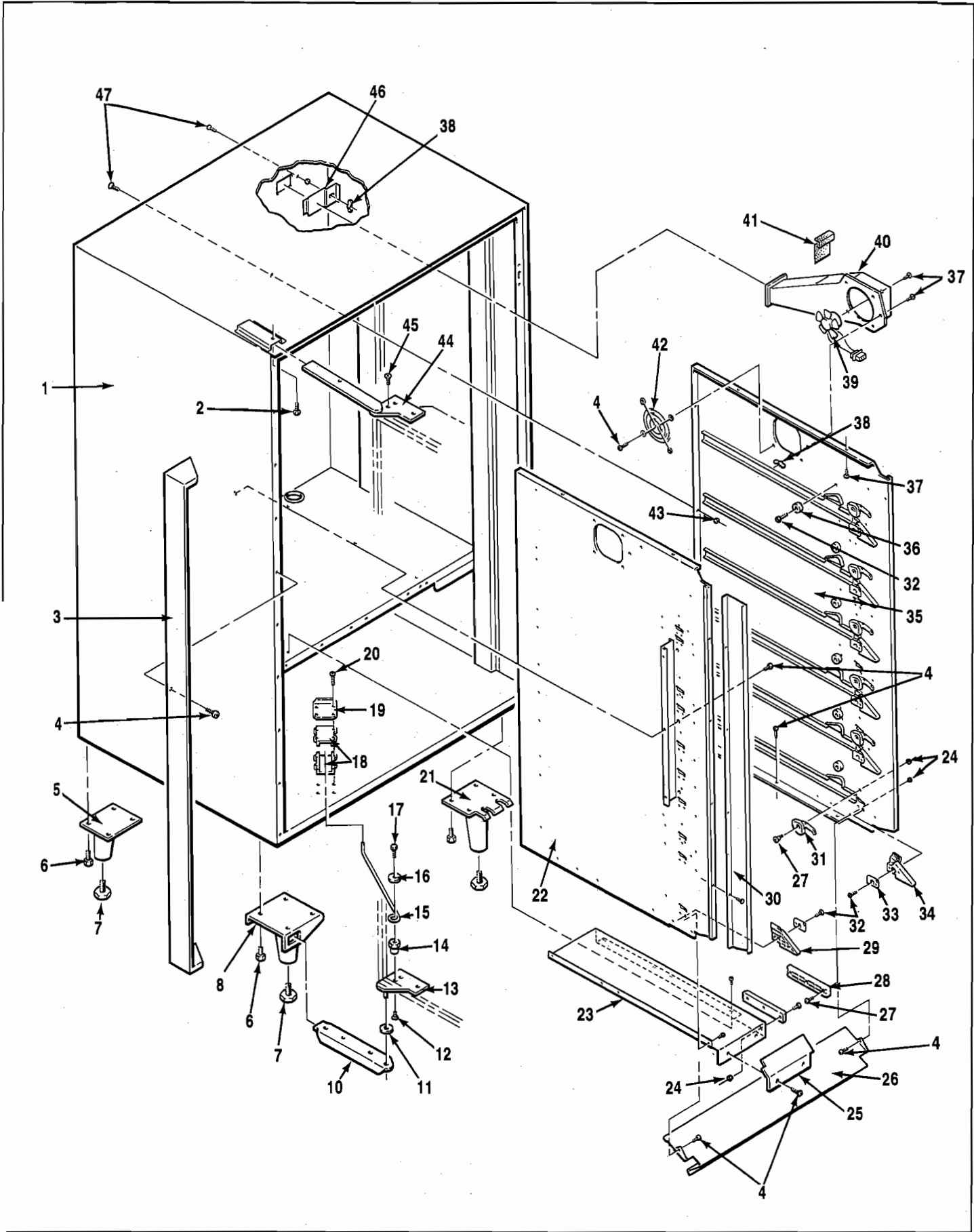


door — inside front

Item No.	Part No.	Description
1	600499	Door Only.
2	360129	Assy. Complete. Control Board.
	360131	Control Board Only.
	360130	Display Board Only.
	680357	Ribbon Connector Only.
3	300182-1	Control Board Stand Off.
4	116-6R4	Screw Pan Hd. Phillips (6-32 x 1/4).
5	201719	Control Board Cover.
6	201-6R7	Screw Rd Hd. Phillips Type B (6-18 x 7/16) (Qty. 2).
7	680346	Assembly Complete. Lamp Harness.
	360127	Socket, Fluorescent Lamp Only.
8	460350	Insulation, Rubber. (Order number of inches needed).
9	380022-4	Fluorescent Lamp (F18T8 CW-K26).
10	440271	Front Window (44 5/8 x 26 7/8 x 3/16).
11	201-6R12	Screw Rd. Hd. Phillips Type B (6-20 x 3/4).
12	201381-3	Window Side Shield (clamp) Pivot.
13	201384	Bottom Window Clamp.
14	114-41-8	Screw, Hex Hd. Mach. (1/4-20 x 1/2).
15	201042	Door Stop Plate.
16	300156	Nut, Special. Door Stop Anchor.
17	400095	Door Stop.
18	200906	Delivery Bin Anchor Strap.
19	276-8R6	Screw, Pan Hd. Self-Tap (8-32 x 3/8).
20	660310	Assembly Delivery Bin Complete. (See Page #26 for Itemized Parts).
21	600179-1	Cash Box.
22	660372	Cash Box Mounting Bracket.
23	400102	Cash Box Retainer.
24	420003-1	Screw, Flat Hd. (1/4-20 x 1/2).
25	420003	Screw, Flat Hd. (1/4-20 x 3/4).
26	640154	Lower Hinge Plate.
27	420010-18	Washer.
28	460306	Power Decal.
29	201636	Changer Socket Bracket.
30	201381-2	Window Side Shield (clamp) Lock Side.
31	380258	Door Operate Switch.

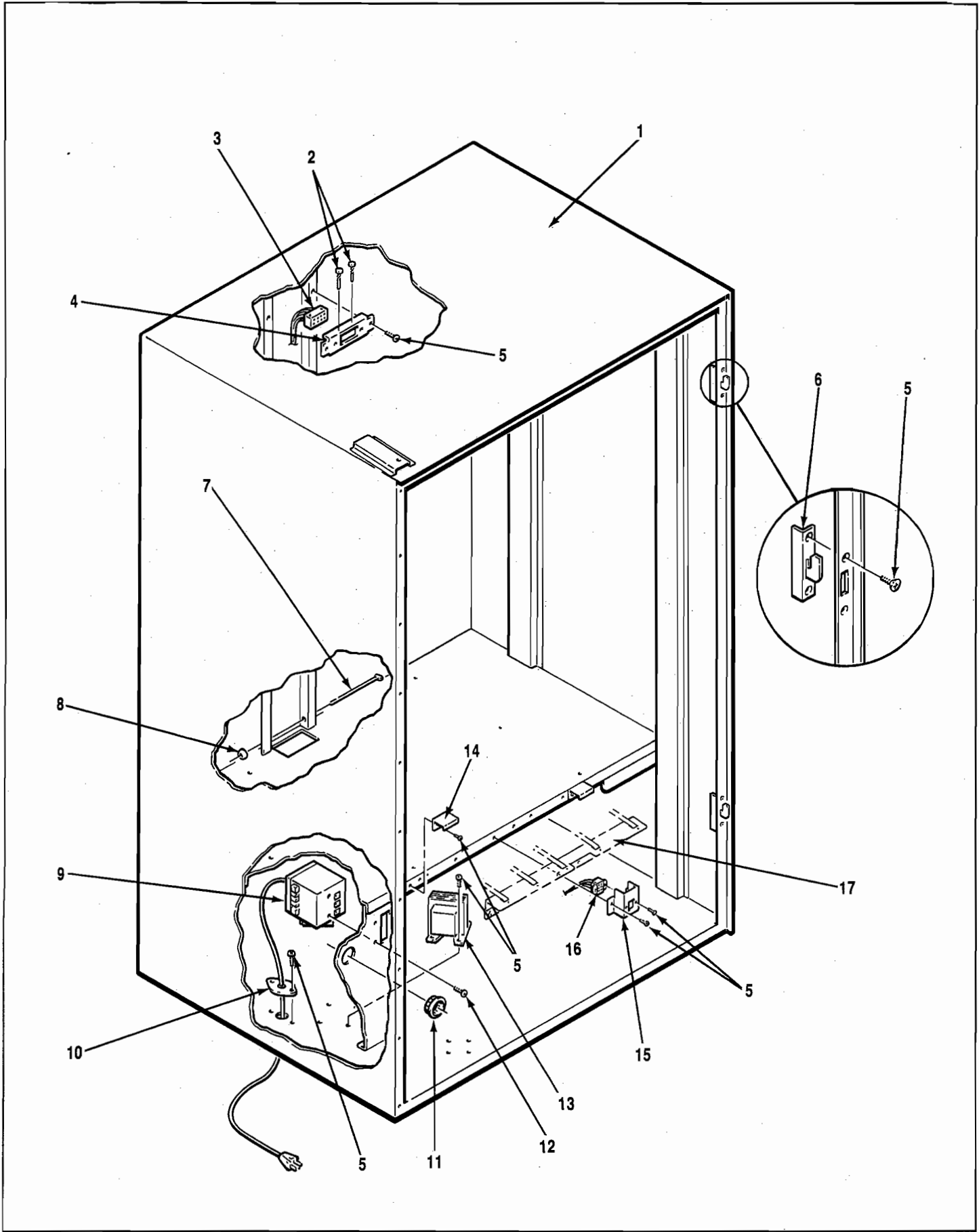
Item No.	Part No.	Description
32	201820	Door Operate Switch Bracket.
33	600432-2	Locking Bar Only.
34	400112	Spring, Locking Bar.
35	18443	Nut, Self Threading (1/4).
36	440289	Coin Return Button.
37	201660	Coin Return Bracket.
38	640131	Lock Arm Only.
39	460418	Changer Decal.
40	420040-9	Hole Plug.
41	460041-1	Insulation, Foam (1/4 x 1/4 x 50").
42	600503	Coin Return Cup.
	201156	Coin Return Cup Door.
43	440296	Coin Return Trim.
44	600502	Changer Coin Chute.
45	751-25	Retaining Ring (1/4)
46	201703	Coin Return Link.
47	400034	Spring.
48	660367	Assembly Complete. Coin Return.
	640152	Assembly, Coin Return Bracket.
49	404-10	Nut, Hex (10-24).
50	201712	Coin Chute Bracket.
51	440311	Coin Chute. Plastic.
52	118-10-8	Carriage Bolt (#10-24 x 1/2).
53	660319	Assembly Complete. Lock Handle, W/Lock Arm & Nut.
	420146	Lock Handle Only.
54	660371	Debit Card Filler Bracket.
55	404-8	Nut, Hex Hd. (8-32).
56	660370	Validator Filler Bracket.
57	440309	Coin Entrance.
58	660368	Assembly, Complete. Selection Panel.
	320057-1	Selector Bezel Only.
59	440310	Display Lens Only.
60	440304	Selector Button Only (20).
61	660366	Assembly Selector Switch Panel Only.
62	380023	Starter FS-25.
63	217-8R10	Screw Pan Hd. Phillips Type A (#8 x 5/8)

cabinet



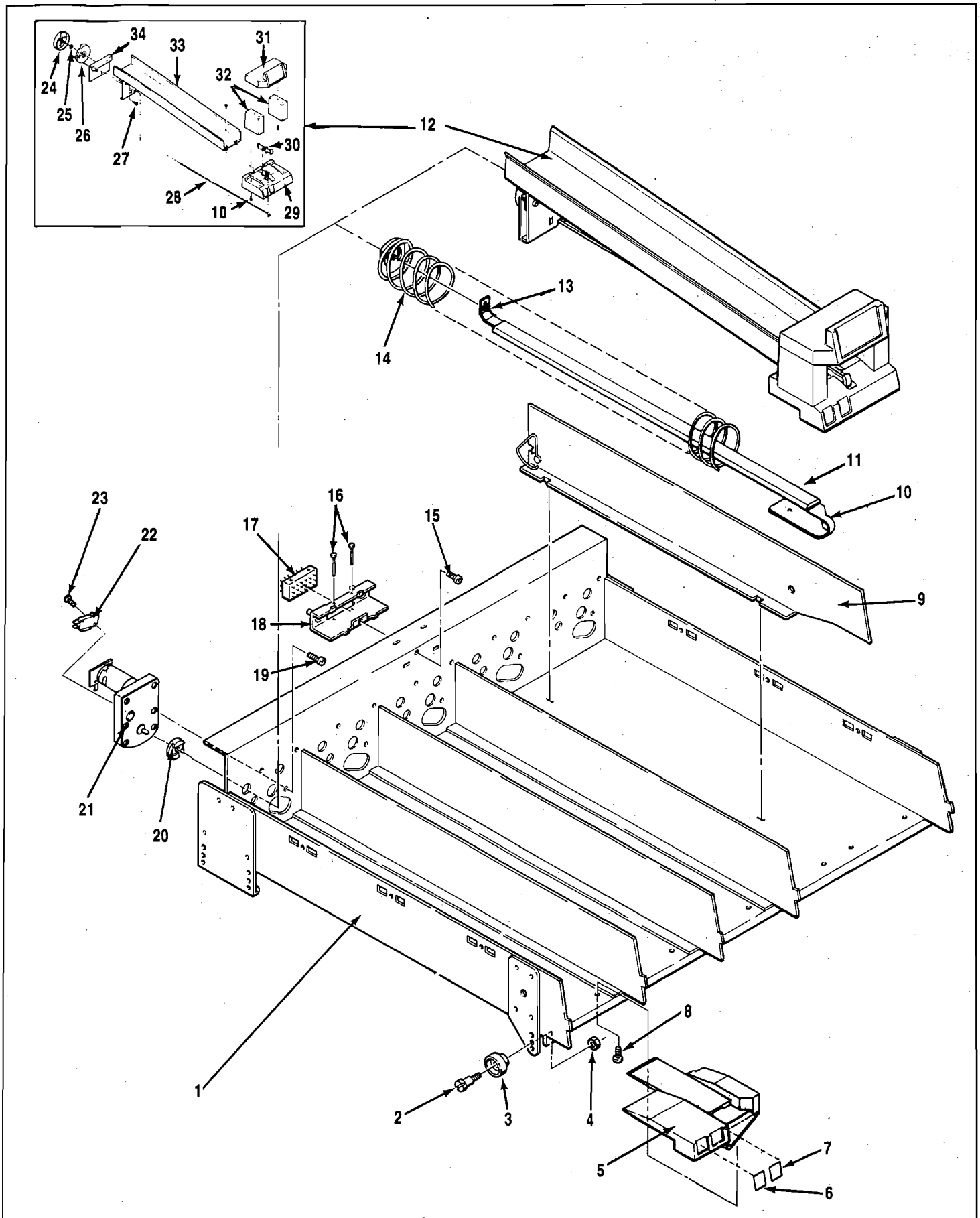
Item No.	Part No.	Description
1	750100-2	Assembly Complete. Cabinet W/Legs. Specify Color.
2	164-51-7	Screw, Hex Hd. Sems (5-16-18 x 3/8).
3	600310	Assembly, Cabinet.
4	276-8R6	Screw, Pan Hd. Self Tap (8-32 x 3/8).
5	600195	Leg Assembly Rear.
6	114-51-12	Screw, Hex Hd. Mach. (5-16-18 x 3/4).
7	300103	Leg Leveler.
8	600302	Assembly Leg Front. Pivot Side..
10	201012	Lower Hinge Support.
11	420010-18	Washer (1 1/4).
12	420003	Screw Flat Hd. (1/4 x 20 x 3/4).
13	640154	Assembly Lower Door Plate.
14	300156	Nut, Special. Door Stop Anchor.
15	400095	Door Stop.
16	420010-10	Washer.
17	114-41-8	Screw, Hex Hd. Mach. (1/4-20 x 1/2).
18	440204	Washer.
19	201042	Door Stop Friction Pad.
20	277-10R16	Screw, Pan Hd. Self-Tap (10-32 x 1").
21	600197	Assembly Leg Front. Lock Side.
22	660312-7	Assembly Complete. Left Side Panel. 5 Shelf.
	600417	Panel Only. Left Side. 6 Shelf.
	660312-12	Assembly Complete. Left Side Panel. 6 Shelf.
	600418	Panel Only. Left Side. 6 Shelf.
23	201450	Filler, G & M Pivot Side.
24	437-41	Nut, Keps (1/4-28).
25	201550	Plate, G & M Filler. Deflector.

Item No.	Part No.	Description
26	201386	G & M Filler Panel. (Use without G & M shelf).
27	300137	Screw, Shelf Roller.
28	440278	G & M Tray Slide.
29	440264	Front Roller Guide. Left Side.
30	201383	Panel, Left Side Extension.
31	440161	Shelf Lock.
32	276-8R12	Screw, Pan Hd. Phillips (8-32 x 3/4).
33	201389	Roller Retainer.
34	440263	Front Roller Guide. Right Side.
35	660311-5	Assembly Complete. Right Side Panel. 5 Shelf.
	600415	Panel Only. Right Side. 5 Shelf.
	660311-6	Assembly Complete. Right Side Panel. 6 Shelf.
	600416	Panel Only. Right Side. 6 Shelf.
36	440306	Shelf Guide Button.
37	277-10R8	Screw Pan Hd. Self Tap (8-32 x 1/2).
38	420023	Wing Nut (8-32).
39	750102	Kit, Complete. Ventilating Fan.
	680313-2	Assembly, Fan Complete Only.
40	750102	Kit, Complete. Ventilating Fan.
	640118	Assembly, Fan Chute Only.
41	201176	Fan Screen.
42	380215	Fan, Finger Guard.
43	404-8	Nut, Hex Hd.
44	640107-1	Assembly Top Hinge.
45	400003-1	Screw, Flat Hd. (1/4-20 x 1/2).
46	201382	Fan Hole Cover.
47	335-8R6	Screw Pan Hd. Tap Tite Phillips (8-32 x 3/8).



Item No.	Part No.	Description
1	750100-2	Cabinet Assembly Complete. w/Legs 103. Specify Color.
2	420142	Pin, Cabinet Receptacle.
3	680303	Cabinet Harness Complete. 5 Shelf.
4	680304	Cabinet Harness Complete. 6 Shelf.
4	201373	Receptacle Mounting Plug.
5	276-8R6	Screw, Pan Hd. Self-Tap (8-32 x 3/8).
6	600433	Door Lock Catch. Heavy Duty.
7	300167	Pin.
8	420045	Rubber Bumper.
9	680350	Assembly Complete Main Junction Box. (See Page 28 for Itemized Parts).
10	660240-1	Assembly Complete. Cord Set.
11	420040-4	Snap Bushing. 1 5/16 Diameter.
12	276-8R6B	Screw, Pan Hd. #23 Phillips (8-32 x 3/8).
13	360083	Transformer.
14	201453	Gum & Mint Tray Catch.
15	201415	Gum & Mint Mounting Bracket Plug.
16	380230	Plug Only.
17	660316	Gum & Mint Shelf Complete. (See Page 24 for Itemized Parts).

snack shelf

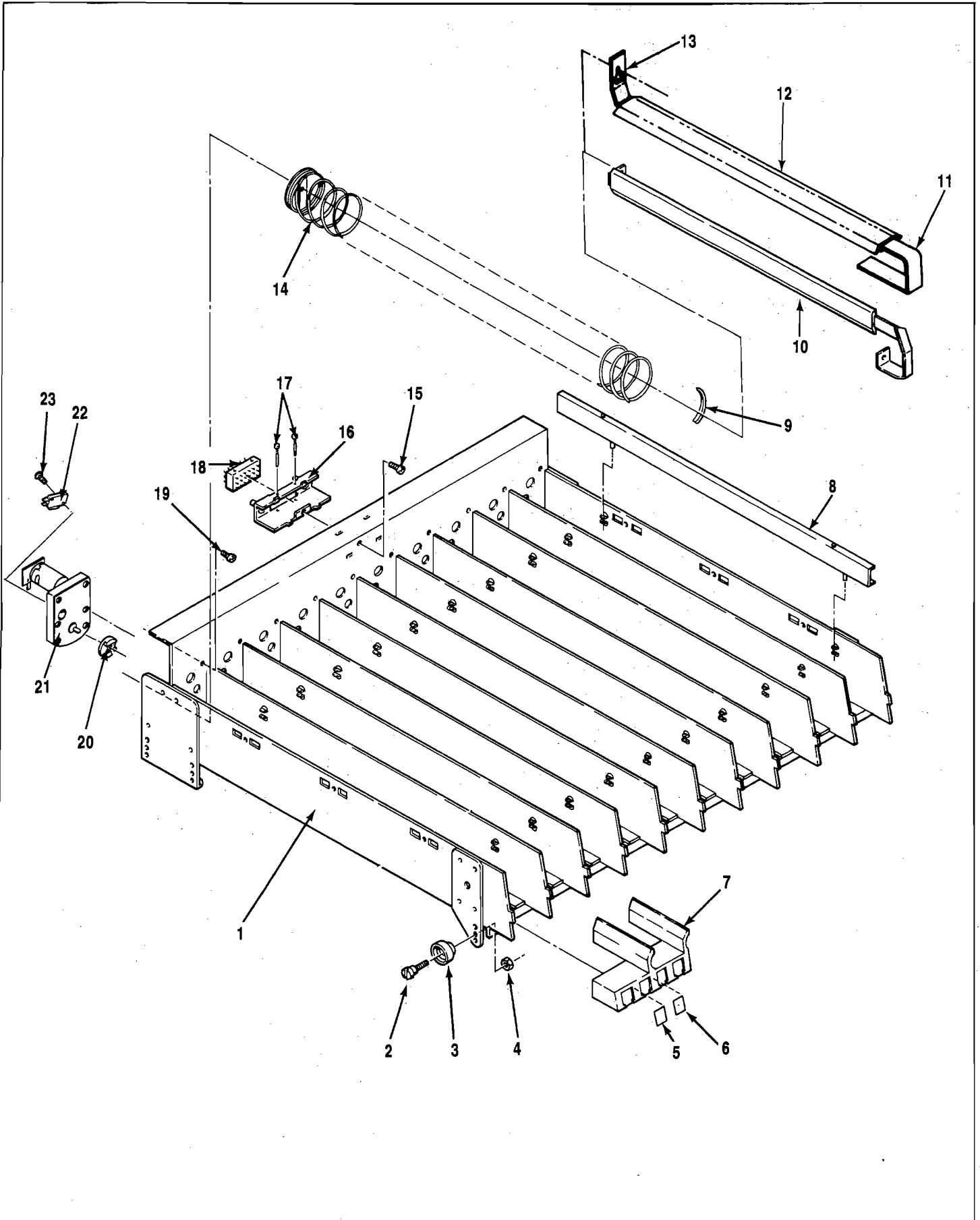


snack shelf

Item No.	Part No.	Description
1	750121	Assembly Complete. Snack Shelf. w/o Spirals.
	600240-1	Snack Shelf Only.
2	300137	Screw, Shelf Roller.
3	440277	Roller, Shelf.
4	437-41	Nut, Keps. (1/4-28).
5	440285	Price and Selection Tab Holder.
6	460346	Item Tabs.
7	460347	Price Tabs. Assorted 10¢-\$1.50.
	460347-1	Price Tabs. All 30¢-35¢.
	460347-2	Price Tabs. All 40¢-45¢.
	460347-3	Price Tabs. All 50¢-55¢.
	460347-4	Price Tabs. All 60¢-65¢.
	460347-5	Price Tabs. All 70¢-75¢.
	460347-6	Price Tabs. All 80¢-85¢.
	460347-7	Price Tabs. All 90¢-95¢.
	460347-8	Price Tabs. All \$1.00-\$1.05.
	460347-9	Price Tabs. All \$1.10-\$1.15.
	460347-10	Price Tabs. All \$1.20-\$1.25.
	460347-11	Price Tabs. All \$1.30-\$1.35.
	460347-12	Price Tabs. All \$1.40-\$1.45.
	460347-13	Price Tabs. All \$1.50-\$1.55.
	460347-14	Price Tabs. All \$1.60-\$1.65.
	460347-15	Price Tabs. All \$1.70-\$1.75.
	460347-16	Price Tabs. All \$1.80-\$1.85.
	460347-17	Price Tabs. All \$1.90-\$1.95.
	460347-18	Price Tabs. All \$2.00-\$2.05.
8	305-8R6	Screw, Pan Hd. Phillips, Plastite (8-16 x 3/8).
9	640101	Spacer, Snack Shelf.
10	201534	Front Support Only.
11	660330	Assembly Product Rail. For use w/Pastry Spiral.
	660330-2	Assembly Product Rail. For Use With Special Candy Spiral in Pastry Selection.
	440148-1	Plastic Product Rail Only.

Item No.	Part No.	Description
12	750083	Kit, Can Dispenser Assembly.
13	200913-1	Rear Support Bracket Only. Use w/Pastry Spiral.
	200913	Rear Support Bracket Only. Use w/ Special Candy Spiral.
14	400129	15 Space Snack Spiral.
	400128	12 Space Snack Spiral.
	400127	10 Space Snack Spiral.
	600206-3	7 Space Snack Spiral.
	440287	Spiral Lock (Not Shown).
15	276-8R6	Screw, Pan Hd. Self-Tap (8-32 x 3/8).
16	420142	Pin, Shelf Plug.
17	680301	Harness, Complete. Pastry Shelf.
18	600246-1	Bracket Only.
19	305-7R8	Screw, Pan Hd. Phillips, Plastite. (7 x 1/2).
20	440125	Spiral Retainer Only.
21	750106	Vend Motor Complete.
22	380070	Switch.
23	100-4-9	Screw, Rd. Hd. Mach. (4-40 x 1/2).
24	440201	Drive Cam. Rear.
25	751-31	Retaining Ring. #31.
26	440200	Drive Cam. Front.
27	300184	Shoulder Bushing.
	277-10R8	Screw, Type 23 (#10-32 x 1/2).
28	400094	Actuator Wire.
29	440196	Price and Selection Trim.
30	440199	Stop Lever.
31	440197	Top, Can Guide & Sign Trim.
32	440198	Leg, Top Can Guide & Sign Trim.
33	600308	Can Dispenser, Trough Only.
34	640109	Cam, Mounting Brkt. & Spring Assembly.

candy shelf

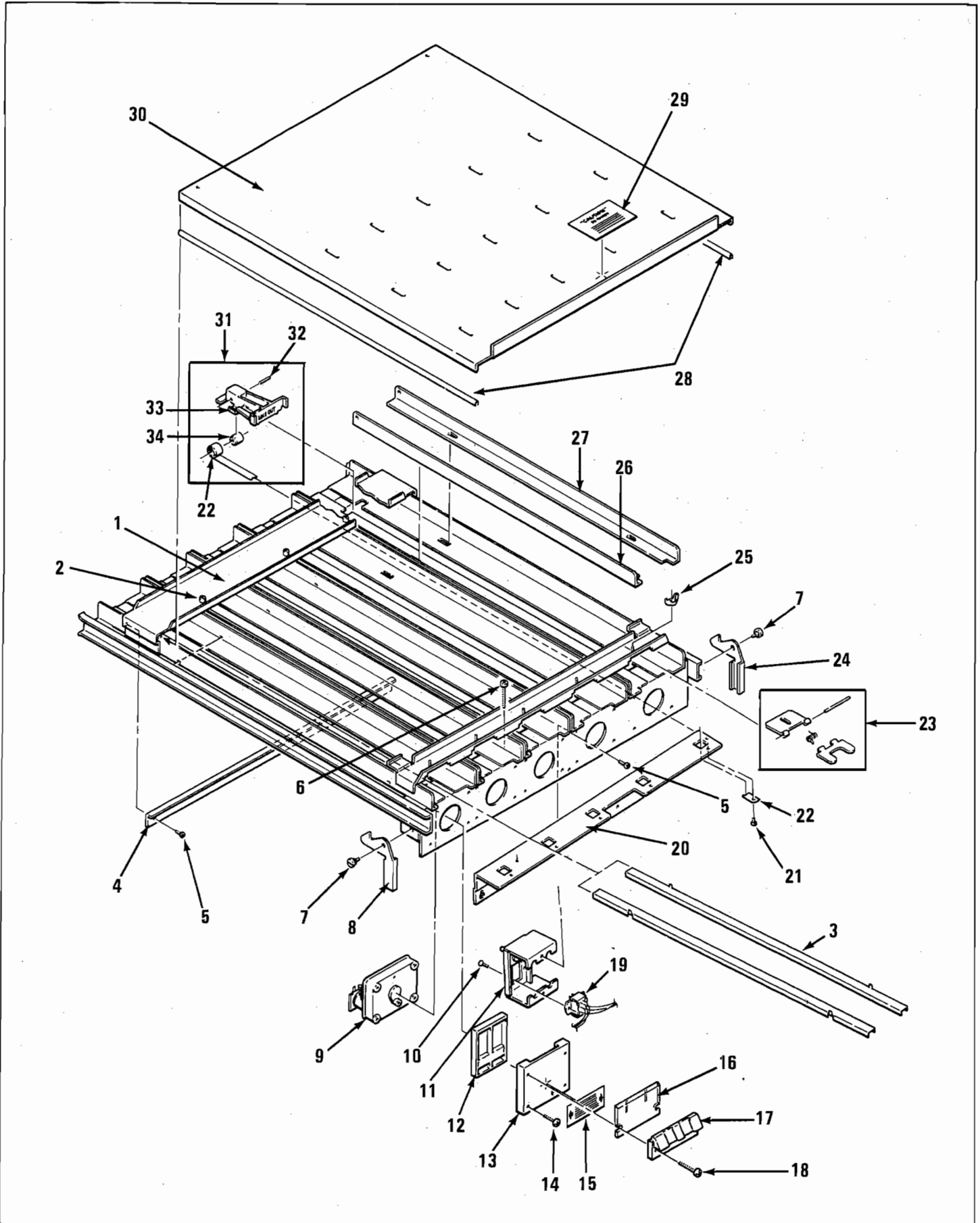


candy shelf

Item No.	Part No.	Description
1	750122	Assembly Complete. Candy Shelf. w/o Spirals.
	600239-1	Candy Shelf Only.
2	300137	Screw, Shelf Roller.
3	440277	Roller, Shelf.
4	437-41	Nut, Keps. (1/4-28).
5	460346	Item Tabs.
6	460347	Price Tabs. Assorted 10¢-\$1.50.
	460347-1	Price Tabs. All 30¢-35¢.
	460347-2	Price Tabs. All 40¢-45¢.
	460347-3	Price Tabs. All 50¢-55¢.
	460347-4	Price Tabs. All 60¢-65¢.
	460347-5	Price Tabs. All 70¢-75¢.
	460347-6	Price Tabs. All 80¢-85¢.
	460347-7	Price Tabs. All 90¢-95¢.
	460347-8	Price Tabs. All \$1.00-\$1.05.
	460347-9	Price Tabs. All \$1.10-\$1.15.
	460347-10	Price Tabs. All \$1.20-\$1.25.
	460347-11	Price Tabs. All \$1.30-\$1.35.
	460347-12	Price Tabs. All \$1.40-\$1.45.
	460347-13	Price Tabs. All \$1.50-\$1.55.
	460347-14	Price Tabs. All \$1.60-\$1.65.
	460347-15	Price Tabs. All \$1.70-\$1.75.
	460347-16	Price Tabs. All \$1.80-\$1.85.
	460347-17	Price Tabs. All \$1.90-\$1.95.
	460347-18	Price Tabs. All \$2.00-\$2.05.

Item No.	Part No.	Description
7	440262	Price and Selection Tab Holder.
	305-8R6	Screw Pan Hd. Phillips. Plastite. (8-16 x 3/8).
8	660178	Assembly Candy Spacer.
9	440141	Candy Product Pusher.
10	660296	Product Guide Assembly. For use w/Thin Mints.
11	201258	Front Support Only.
12	660191	Assembly Product Rail. For use w/Candy Spiral.
	440148-1	Plastic Product Rail Only.
13	200913	Rear Support Bracket Only.
14	400123	24 Space. Candy Spiral.
	400122	18 Space. Candy Spiral.
	400121	15 Space. Candy Spiral.
	400120	12 Space. Candy Spiral.
	400135	30 Space. Candy Spiral
	440287	Spiral Lock (Not Shown).
15	276-8R6	Screw, Pan Hd. Self-Tap (8-32 x 3/8).
16	600246-1	Bracket Only.
17	420142	Pin, Shelf Plug.
18	680299	Harness, Complete. Candy Shelf.
19	305-7R8	Screw, Pan Hd. Phillips, Plastite. (#7 x 1/2).
20	440125	Spiral Retainer Only.
21	750106	Vend Motor Complete.
22	380070	Switch.
23	100-4-9	Screw, Rd. Hd. Mach. (4-40 x 1/2).

gum & mint shelf

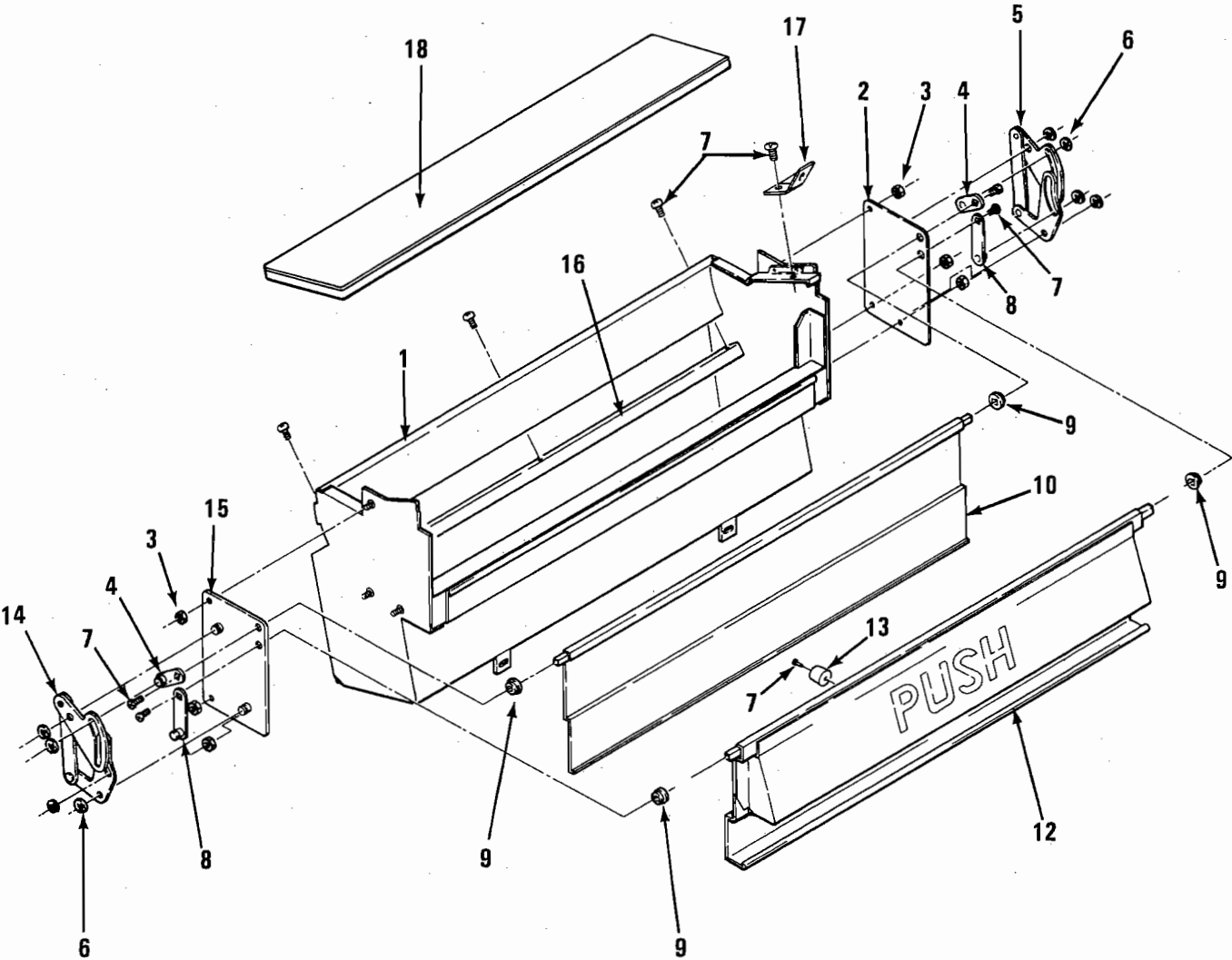


gum & mint shelf

Item No.	Part No.	Description
1	660316 600420	Assembly Complete. Gum & Mint Shelf. Gum and Mint Shelf Only.
2	420040-9	Snap Bushing and Hole Plug.
3	201412	Thin Mint Adapter (2 per selection).
4	201458	Gum and Mint Rear Pusher Stop.
5	276-8R6	Screw, Pan Hd. Self-Tap Phillips (8-32 x 3/8).
6	217-8R22	Screw, Pan Hd. Phillips Type AB (1-3/8).
7	300184 277-10R8	Shoulder Bushing. Screw Type 23 (#10-32 x 1/2).
8	201454-1	Gum and Mint Shelf Latch. Left Side.
9	360105	Gum and Mint Motor.
10	420089	Screw, 100 ^o Flat Hd. (6-32 x 1/2).
11	600427	Gum and Mint Plug Mounting Bracket.
12	440267	Ejector, Gum and Mint.
13	440266	Gum and Mint Shelf Front Base.
14	305-7R16	Screw, Pan Hd. Plastite (#7 x 1).
15	460352	Decal, Gum and Mint Shelf Latch.
16	440270	Display Stop. Gum and Mint Column Front.
17	440273	Gum and Mint Shelf Front.

Item No.	Part No.	Description
18	305-7R22	Screw, Pan Hd. Plastite (#7 x 1-3/8)
19	680305 380229	Harness, Gum and Mint Shelf. Gum and Mint Shelf Plug Only.
20	201414	Strap, Gum and Mint Pusher Stop.
21	262-6R5	Screw, Flat Hd. Phil. Type 23 (6-32 x 5/16).
22	400106	Spring, Gum and Mint Pusher Return.
23	660314	Assembly, Complete Gum and Mint Display. Hinge.
24	201454	Gum and Mint Shelf Latch. Right Side.
25	420023	Wing Nut (8-32).
26	201411-1	Column Spacer, Left.
27	201411	Column Spacer, Right.
28	420090-3	Shelf Grommet. (NGS #1 22).
29	460351	Decal, Caution. Gum and Mint Shelf.
30	201409	Cover, Gum and Mint Shelf.
31	660313	Assembly, Complete. Gum and Mint Pusher and Spring.
32	801C-125-12	Roll Pin (1/8 x 3/4).
33	440265	Pusher Only.
34	440274	Roller, Gum and Mint Pusher.

delivery bin



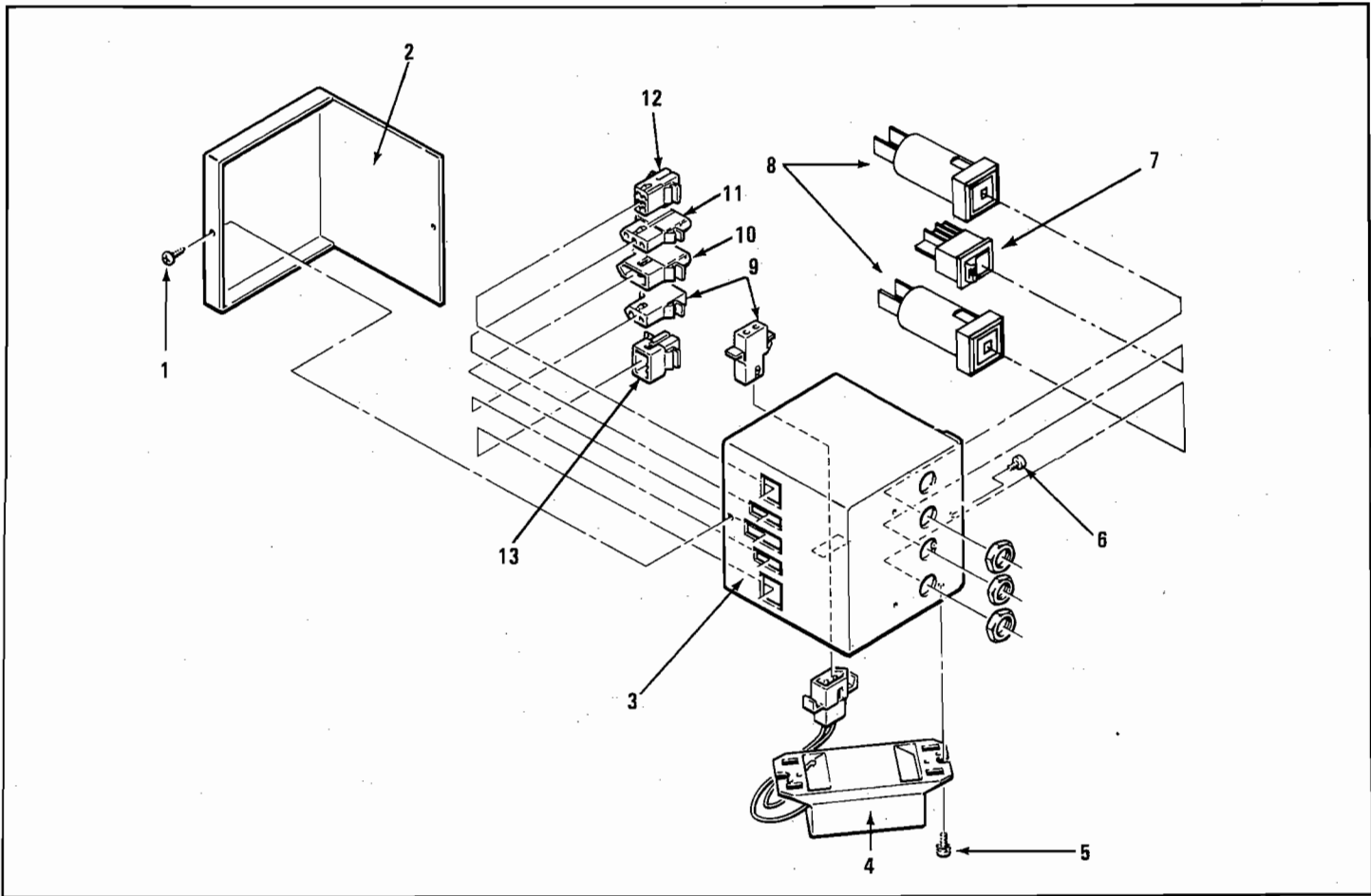
Item No.	Part No.	Description
	660310	Delivery Bin Assembly. Complete.
1	600407	Delivery Bin.
2	640099	Arm Mounting Bracket (Lock Side).
3	438-8	Nut, Keps. No. 8-32.
4	640098	Inner Door Bin Arm.
5	640100	Bin Door Drive Assembly (Lock Side).
6	751-37	Retaining Ring No. 37.
7	276-8R6	Screw, Pan Hd. Phillips. Self Tap. No. 8-32 x 3/8".
8	640097	Door Drive Arm.

Item No.	Part No.	Description
9	440129	Door Bearing.
10	200763	Inner Door.
12	600258	Door, Delivery Bin.
13	420029	Rubber Bumper.
14	640100-1	Bin Door Drive Assembly (Pivot Side).
15	640099-1	Arm Mounting Bracket. (Pivot Side).
16	200902	Baffle, Rear Delivery Bin.
17	200906	Delivery Bin Anchor Strap.
18	660238	Delivery Bin Pad Assembly for Can Dispenser.

main junction box

Item No.	Part No.	Description
1	200-6R6	Screw, Rd. Hd. Phillips (6-18 x 3/8).
2	201189	Cover, Ballast and Switch Bracket.
3	680350	Assembly Complete. Main Junction Box.
	201153	Box Only.
4	680278	Assembly Complete. Ballast.
5	276-8R4B	Screw, Pan Hd. Phillips Type 23. (8-32 x 1/4).
6	276-6R4	Screw, Pan Hd. Phillips Type 23. (6-32 x 1/4).

Item No.	Part No.	Description
7	380243	Toggle Switch.
8	380241	Circuit Breaker 3 Amp.
9	380189	Molex Receptacle. 2 Pin.
10	380034	Molex Plug. 3 Pin.
11	380035	Molex Receptacle. 3 Pin.
12	380107	Molex Receptacle. 6 Pin.
13	380106	Molex Plug. 6 Pin.

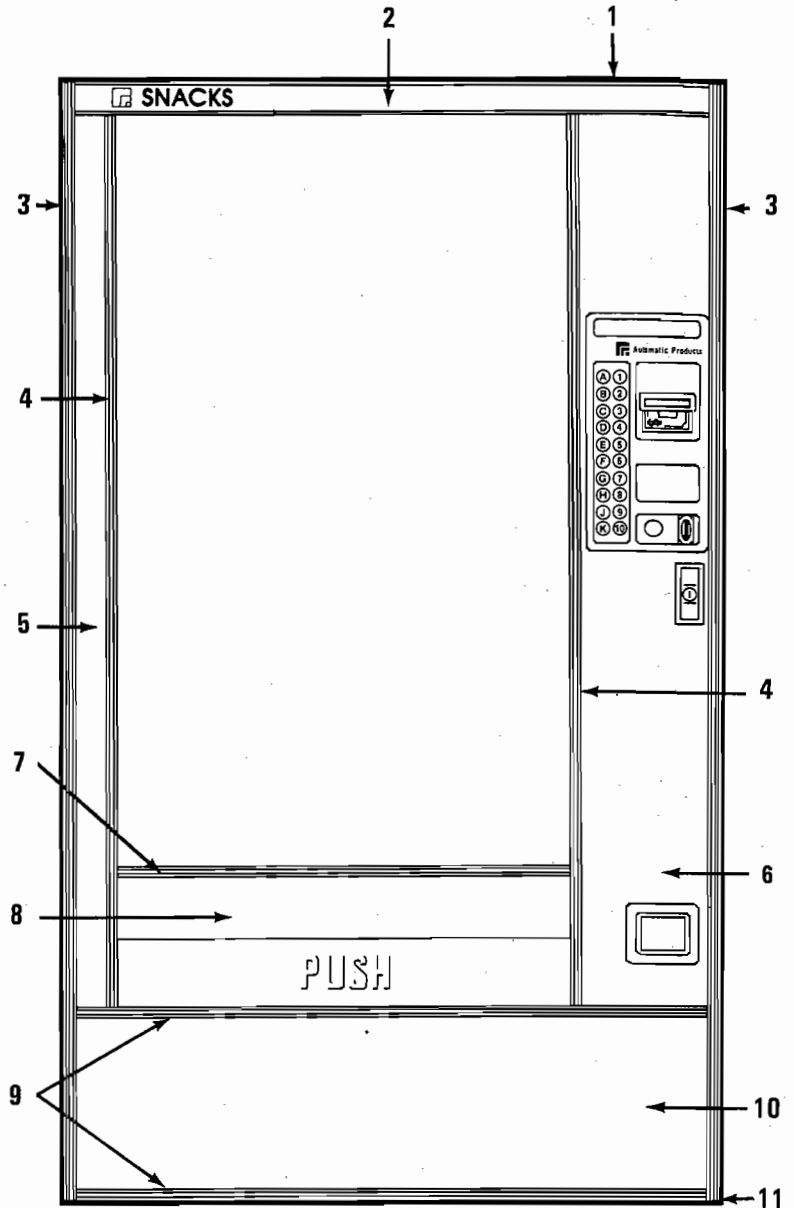


electrical harnesses

Part No.	Description
360086	Cord Set.
660240-1	Assembly Complete. Cord Set.
680305	Harness, Gum and Mint Shelf.
680299	Harness, Candy Shelf.
680301	Harness, Pastry Shelf.
680351	Harness. Door.
680349	Cabinet Back Harness 5 Shelves.

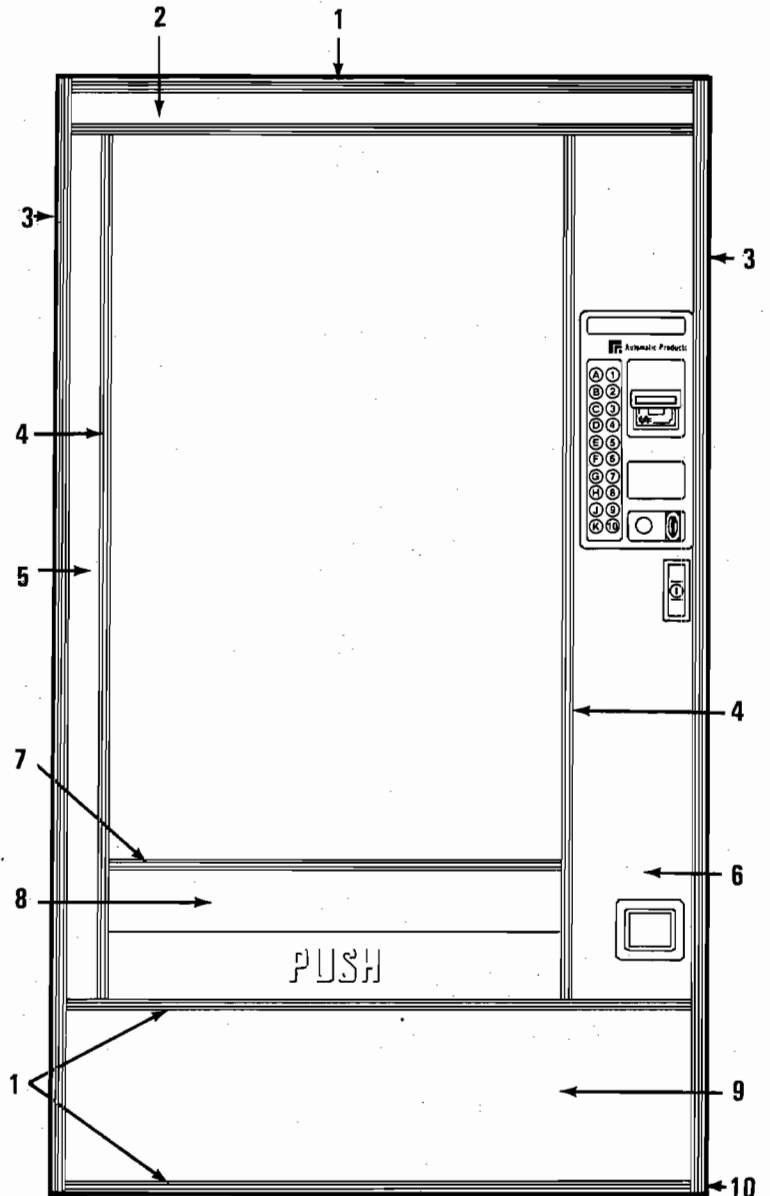
Part No.	Description
680348	Cabinet Back Harness 6 Shelves.
680352	Harness, Mars Changer Hook-Up.
680275	Fan Cord. Harness
680346	Assembly Lamp Harness.
680354	Harness, Operate Swtich.
680355	Harness, Mars Bill Validator. Hook-Up.
680357	Connector Ribbon.

Item No.	Part No.	Description
1	340044-5	Trim, Top, For use w/Vinyl Insert.
2	440258-2	Insert Top Trim "Snacks".
	440258-3	Insert Top Trim "Cigarettes"
3	340057	Trim, Outside Vertical. (Right or Left).
4	340058-2	Trim, Inside Vertical. (Right or Left).
5		PANEL, LEFT SIDE VERTICAL
	200792-26	Presidential Walnut, Vinyl.
	200792-58	Regency Walnut, Vinyl.
	200792-113	Kashmire Walnut, Vinyl.
	200792-29	Honeytone Teak, Vinyl.
	200792-30	Spanish Oak, Vinyl.
	200792-31	Imperial Rosewood, Vinyl.
	200792-33	Painted, Specify Color.
6		PANEL RIGHT SIDE VERTICAL
	201693	Presidential Walnut.
	201693-1	Honeytone Teak.
	201693-2	Painted. Specify Color
	201693-27	Kashmire Walnut.
	201693-28	Regency Walnut.
7	340058	Trim, Inside Horizontal.
8		PANEL DELIVERY TRAY
	201356	Presidential Walnut, Vinyl.
	201356-31	Regency Walnut, Vinyl.
	201356-32	Kashmire Walnut, Vinyl.
	201356-3	Honeytone Teak, Vinyl.
	201356-4	Spanish Oak, Vinyl.
	201356-5	Imperial Rosewood, Vinyl.
	201356-6	Painted, Specify Color.
9	340055-3	Trim, Inside Horizontal.
10		PANEL, LOWER HORIZONTAL.
	200296-36	Presidential Walnut, Vinyl.
	200296-37	Regency Walnut Vinyl.
	200296-38	Kashmire Walnut Vinyl.
	200296-39	Honeytone Teak Vinyl.
	200296-40	Spanish Oak Vinyl.
	200296-41	Imperial Rosewood Vinyl.
	200296-42	Painted, Specify Color.
11	600428	Door Only, Specify Color.

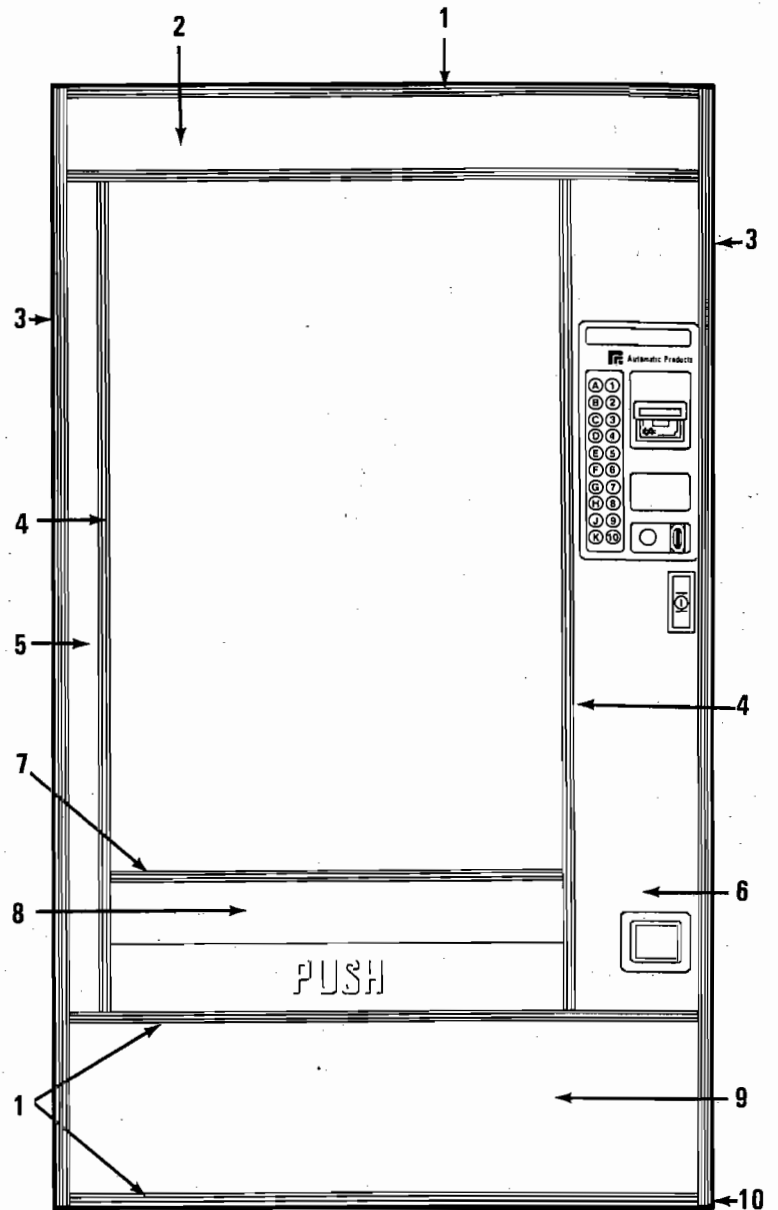


cover-up plate 3

Item No.	Part No.	Description
1	660231-3	Trim, Horizontal w/Black Stripe.
2		Panel, Coverplate 3"
	201417	Presidential Walnut, Vinyl.
	201417-4	Regency Walnut, Vinyl.
	201417-5	Honeytone Teak, Vinyl.
	201417-6	Painted, Specify Color.
3	340057	Trim, Outside Vertical. (Right or Left).
4	340058-4	Trim, Inside Vertical. (Right or Left).
5		Panel, Left Side Vertical.
	200792-54	Presidential Walnut, Vinyl.
	200792-108	Regency Walnut, Vinyl.
	200792-59	Honeytone Teak, Vinyl.
	200792-60	Painted, Specify Color.
	200792-55	Port au Prince, Vinyl.
6		Panel, Right Side Vertical.
	201693-6	Presidential Walnut, Vinyl.
	201693-30	Regency Walnut, Vinyl.
	201693-7	Honeytone Teak, Vinyl.
	201693-9	Painted, Specify Color.
	201693-8	Port au Prince, Vinyl.
7	340058	Trim, Inside Horizontal.
8		Panel, Delivery Tray.
	201356	Presidential Walnut, Vinyl.
	201356-31	Regency Walnut, Vinyl.
	201356-3	Honeytone Teak, Vinyl.
	201356-6	Painted, Specify Color.
9		Panel, Lower Horizontal.
	200296-36	Presidential Walnut, Vinyl.
	200296-37	Regency Walnut, Vinyl.
	200296-39	Honeytone Teak, Vinyl.
	200296-42	Painted, Specify Color.
10	600428	Door Only, Specify Color.

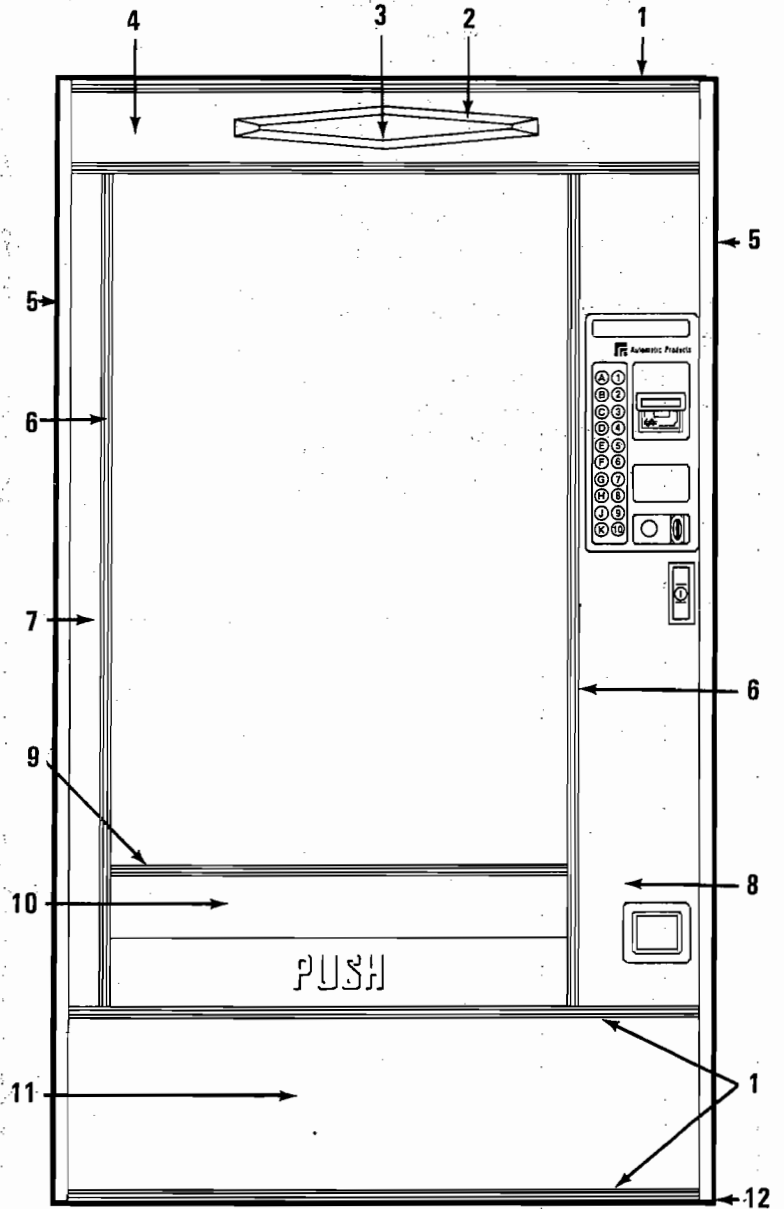


Item No.	Part No.	Description
1	660231-3	Trim, Horizontal w/Black Stripe.
2		Panel, Cover Plate 5"
3	200922-2	Presidential Walnut, Vinyl.
3	340057	Trim, Outside Vertical. (Right or Left).
4	340058-3	Trim, Inside Vertical. (Right or Left).
5		Panel, Left Side Vertical.
6	200792-44	Presidential Walnut, Vinyl.
6	200792-47	Port Au Prince, Vinyl.
6		Panel, Right Side Vertical.
7	201693-4	Presidential Walnut, Vinyl.
7	201693-5	Port Au Prince, Vinyl.
7	340058	Trim, Inside Horizontal.
8		Panel, Delivery Tray.
9	201356	Presidential Walnut, Vinyl.
9		Panel, Lower Horizontal.
10	200296-36	Presidential Walnut, Vinyl.
10	600428	Door Only. Specify Color.

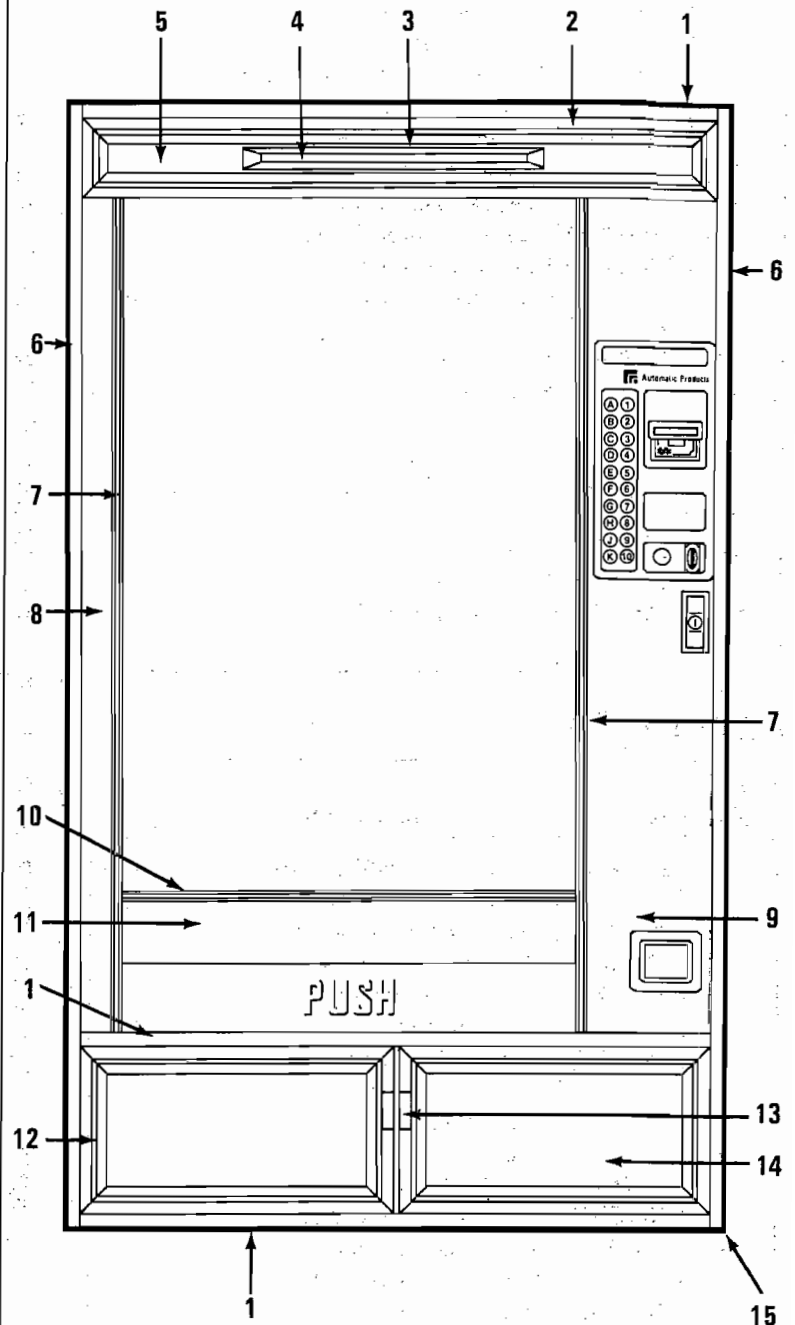


imperial I style

Item No.	Part No.	Description
1	660231-3	Trim, Outside Horizontal with Black Stripe. (Right or Left).
2	440159	Frame, Plastic.
	211-8R4	Screw, Trus Hd. Phillips Type B (#8 x 1/4).
3	440154	Panel, Insert.
4	200922-7	Panel, Decorative. Presidential Walnut, Vinyl.
5	340057	Trim, Outside Vertical. (Right or Left).
6	340058-3	Trim, Inside Vertical. (Right or Left).
7		Panel, Left Side Vertical. Presidential Walnut, Vinyl.
	200792-44	Port Au Prince, Vinyl.
	200792-47	Port Au Prince, Vinyl.
8		Panel, Right Side Vertical. Presidential Walnut, Vinyl.
	201693-4	Port Au Prince, Vinyl.
	201693-5	Port Au Prince, Vinyl.
9	340058	Trim, Inside Horizontal.
10		Panel, Delivery Tray. Presidential Walnut, Vinyl.
11		Panel, Lower Horizontal. Presidential Walnut, Vinyl.
12	200296-36	Presidential Walnut, Vinyl.
	600428	Door Only, Specify Color.

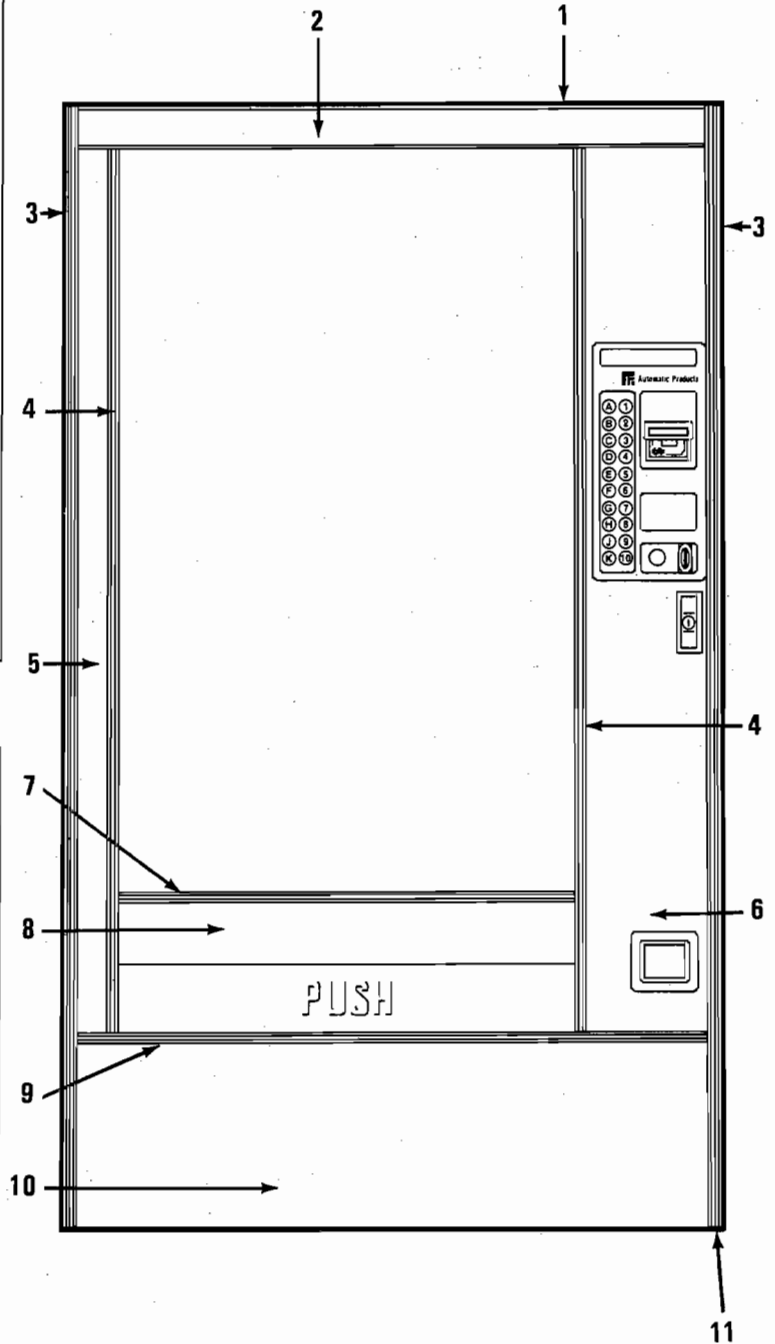


Item No.	Part No.	Description
1	660231-1	Trim, Outside Horizontal, Bronze, with Black Stripe.
2	660334-2	Frame, Top Trim.
3	440169	Frame, Top Inner.
4	440174	Frame, Top Inner, Insert.
5	201015	Panel, Top, Cane.
6	340057-1	Trim, Outside Vertical Bronze. (Right or Left).
7	340058-11	Trim, Inside Vertical Bronze. (Right or Left).
8	200792-44	Panel, Left Side Vertical. Presidential Walnut, Vinyl.
9	201693-4	Panel, Right Side Vertical. Presidential Walnut, Vinyl.
10	340058-9	Trim, Inside Horizontal, Bronze.
11	201356	Panel, Delivery Tray. Presidential Walnut, Vinyl.
12	660334-10	Frame, Bottom.
	201-6R5	Screw, Rd. Hd. Phillips (6-18 x 5/16).
	211-6R6	Screw, Truss Hd. Type B (#6-18 x 3/8).
	201-6R7	Screw, Rd. Hd. Phillips (#6-18 x 7/16).
	211-8R4	Screw, Truss Hd. Type A (8 x 1/4).
	420101	Nut, Pal, Plastic Boss.
13	460237	Handle, Decal.
14	201203	Panel, Lower Horizontal (Cane).
15	600430	Door Only, Specify Color.



award style

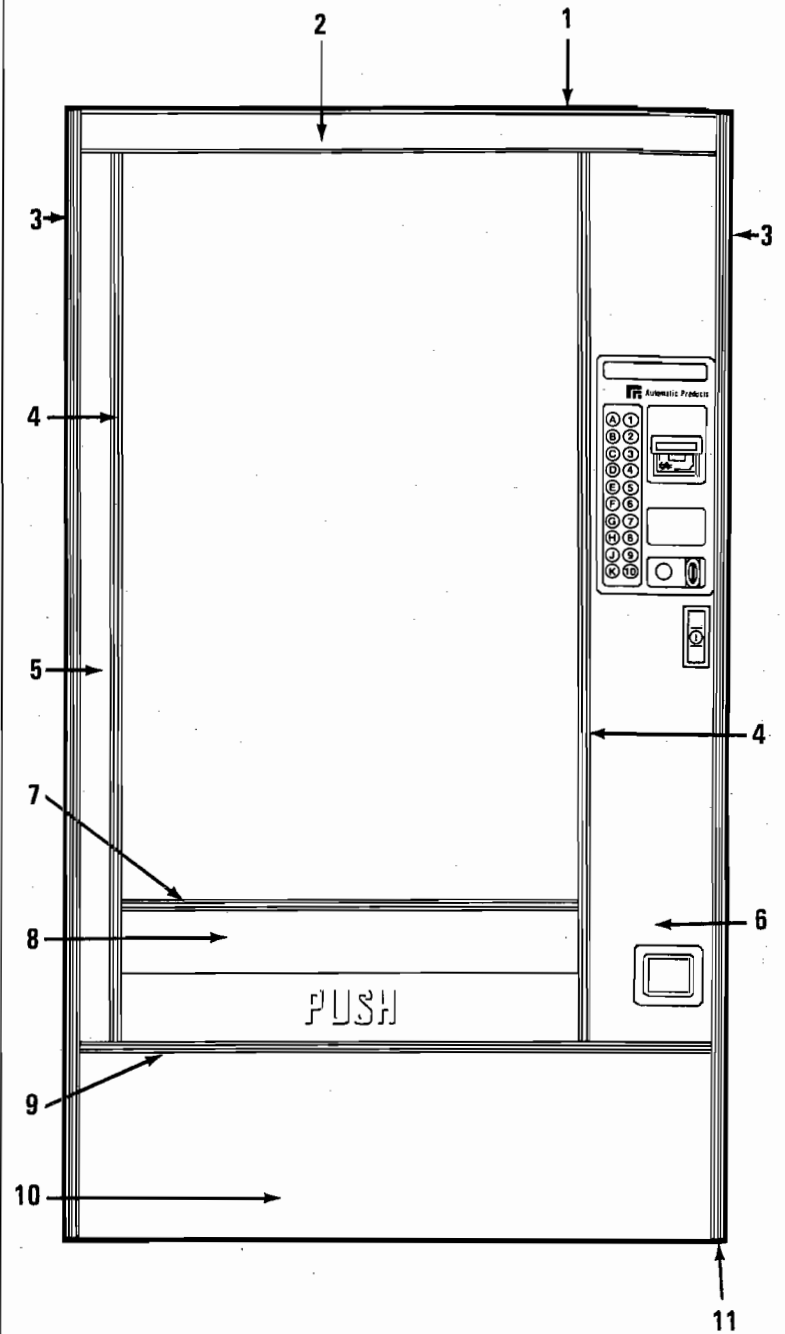
Item No.	Part No.	Description
1	340042-8	Trim Top Only. Use with vinyl inserts.
2		Vinyl Insert, Top Only.
	200526	Imperial Rosewood, Vinyl.
	200526-4	Honeytone Teak, Vinyl.
3	660231-20	Trim, Outside Vertical with Black Stripe (Right or Left).
4	340058-6	Trim, Inside Vertical. Black. (Right or Left).
5		Panel, Left Side Vertical.
	200792-31	Imperial Rosewood, Vinyl.
	200792-29	Honeytone Teak, Vinyl.
6		Panel, Right Side Vertical.
	201693-31	Gray Vinyl.
7	340058-5	Trim, Inside Horizontal (Black.)
8		Panel, Delivery Tray.
	201356-5	Imperial Rosewood, Vinyl.
	201356-3	Honeytone Teak, Vinyl.
9	340055-9	Trim, Inside Horizontal.
10		Panel, Lower Horizontal.
	201692-5	Imperial Rosewood, Vinyl.
	201692-3	Honeytone Teak, Vinyl.
11	600428	Door Only, Specify Color.



award II style

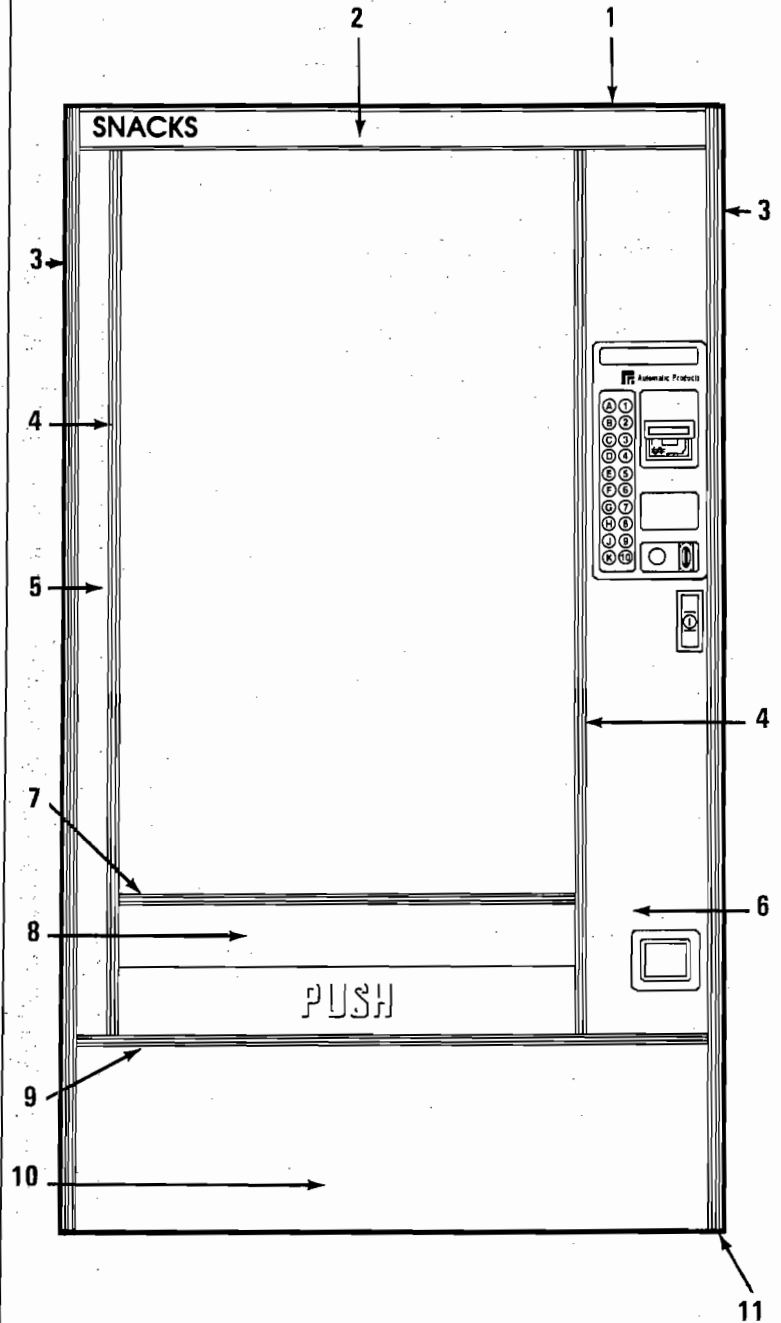
Item No.	Part No.	Description
1	340042-8	Trim, Top. Use w/Vinyl Inserts.
2		Vinyl Insert, Top Only.
	200526	Imperial Rosewood, Vinyl.
	200526-4	Honeytone Teak, Vinyl.
3	340057	Trim, Outside Vertical. (Right or Left).
4	340058-7	Trim, Inside Vertical. (Right or Left).
5	200792-100	Gray Vinyl.
6	201693-31	Gray Vinyl.
7	340058	Trim Inside Horizontal.
8	201356-20	Panel Delivery Tray. Gray Vinyl.
9	340055-3	Trim, Inside Horizontal.
10		Panel, Lower Horizontal.
	201692-5	Imperial Rosewood, Vinyl.
	201692-3	Honeytone Teak, Vinyl.
11	600428	Door Only. Specify Color.

Item No.	Part No.	Description
1	340042-3	Trim, Top Only.
2	200526-16	Vinyl Insert Top Trim. Wheatstone
3	340057-1	Trim, Outside Vertical Bronze. (Right or Left).
4	340058-14	Trim, Inside Vertical. Bronze. (Right or Left).
5	200792-98	Panel, Left Side Vertical. Bronze, Vinyl.
6	201693-29	Panel, Right Side Vertical. Bronze, Vinyl.
7	340058-9	Trim, Inside Horizontal. Bronze.
8	201356-18	Panel, Delivery Tray. Bronze, Vinyl.
9	340055-1	Trim, Horizontal. Bronze.
10	201692-16	Panel, Lower Horizontal. Wheatstone, Vinyl.
11	600428	Door Only. Specify Color.

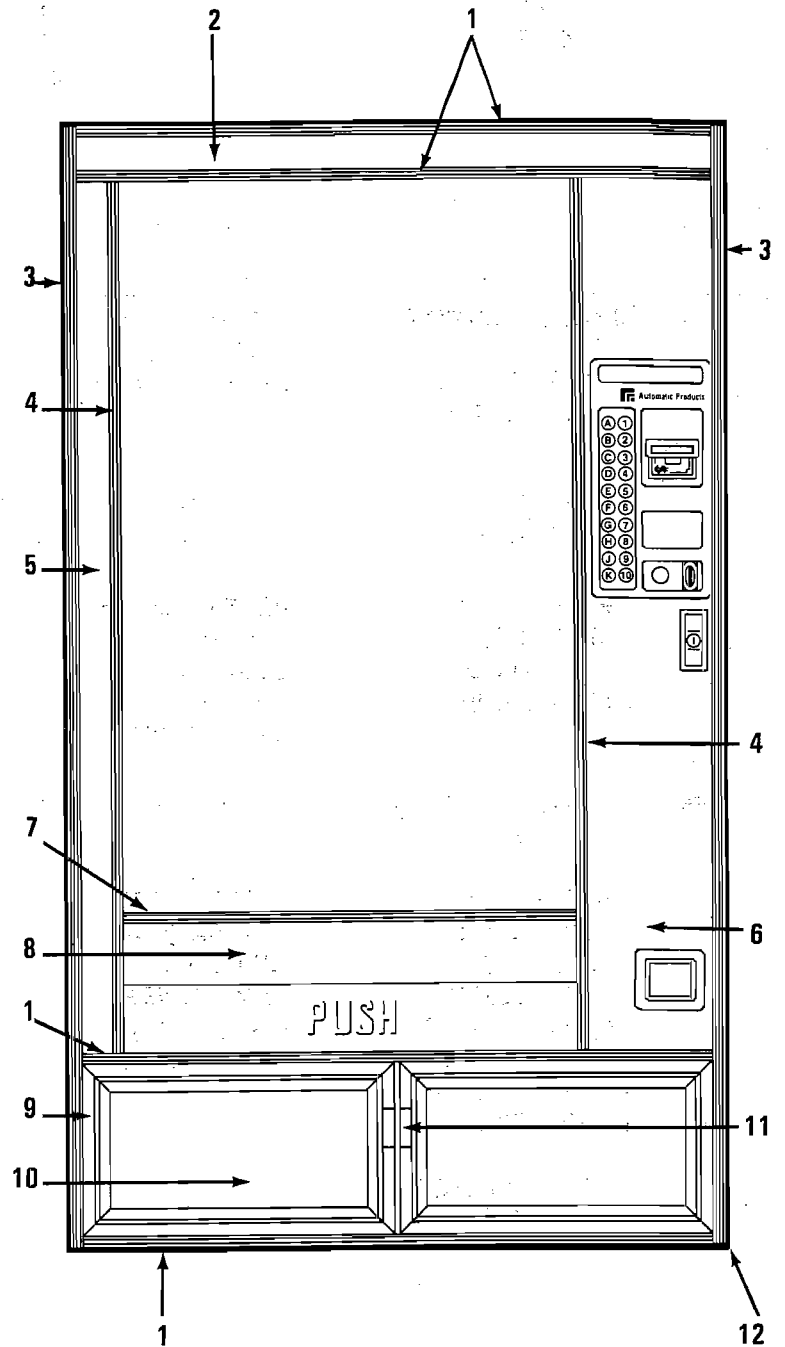


high-tech style

Item No.	Part No.	Description
1	340042-8	Trim, Top only. Use only vinyl insert.
2	201260	Vinyl Insert, Top Trim, stainless vinyl.
3	340057-2	Trim, Outside Vertical. (Right or Left)
4	340058-7	Trim, Inside Vertical. (Right or Left)
5	200792-32	Panel, Left Side Vertical Stainless Vinyl.
6	201693-26	Panel, Right Side Vertical. Stainless Vinyl.
7	340058	Trim Inside Horizontal.
8	201356-7	Panel, Delivery Tray. Stainless Vinyl.
9	340055-3	Trim Inside Horizontal
10	201692-19	Panel, Lower Horizontal. Stainless Vinyl.
11	600428	Door Only. Specify Color.



Item No.	Part No.	Description
1	660231-1	Trim Horizontal w/Black Stripe.
2	201417-10	Panel, Top, Cane, Vinyl.
3	340057-1	Trim, Outside Vertical. Bronze (Right or Left)
4	340058-15	Trim, Inside Vertical. Bronze (Right or Left)
5		Panel, Left Side Vertical
	200792-54	Presidential Walnut, Vinyl.
6		Panel, Right Side Vertical.
	201693-6	Presidential Walnut, Vinyl
7	340058-9	Trim, Horizontal.
8		Panel, Delivery Tray.
	201356	Presidential Walnut, Vinyl.
9	660334-10	Frame Bottom.
	420101	Nut, Pal Plastic Boss.
	201-6R12	Screw, Rd. Hd. Phillips (#6 - 18 x 3/4).
	201-6R7	Screw Rd. Hd. Phillips (#6-18 x 7/16).
	200-6R6	Screw, Rd. Hd. Phillips (#6-18 x 3/8).
	211-8R4	Screw, Truss Hd. Type A (8 x 1/4).
10		Panel, Lower Horizontal.
	201203	Cane, Vinyl.
11	460237	Handle, Decal.
12	600430	Door Only, Specify Color.



connectors



CABLE TIE
460044



**MOUNTING TYPE
CABLE TIE**
380078



**ADHESIVE BACKED
CORD CLIP**
420097



**FEMALE QUICK
DISCONNECT TERMINAL**
9/64 - 380213
3/16 - 380001
1/4 - 380003



**FEMALE PLUG
TERMINAL**
LARGE - 380004
SMALL - 380129



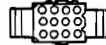
MALE PLUG TERMINAL
LARGE - 380005
SMALL - 380130



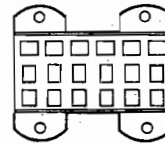
SQUARE PIN TERMINAL
LARGE - 380211
SMALL - 380208



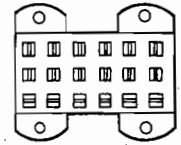
**MOLEX MALE
CONNECTOR**
3 PIN - 380034
6 PIN - 380106



**MOLEX FEMALE
CONNECTOR**
2 PIN - 380189
3 PIN - 380035
6 PIN - 380107



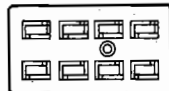
**MAIN PRODUCT SHELF
RECEPTACLE**
380238



**MAIN PRODUCT SHELF
PLUG**
380237



**AMP IN-LINE
CONNECTOR**
.156 CTRS.
7 PIN - 380210
18 PIN - 380210-1
13 PIN - 380210-2
17 PIN - 380210-3
19 PIN - 380210-4



**CHANGER
RECEPTACLE
AND COVER**
12 PIN - 380200
COVER - 380201



**WIRE
CONNECTOR**
380214



CABLE CLAMP
3/8 DIA.
420035-1

MOLEX CONNECTOR
.100 CTRS.
17 PIN - 380207



**CONNECTOR
POLARIZING KEY**
.100 CTRS - 380209
.156 CTRS - 380212