

**AUTOMATIC PRODUCTS international, ltd.**

**OPERATING SYSTEM**

**PARTS MANUAL**

**SERVICE MANUAL**

**MODEL 127 EXPANDER**

PLEASE DO NOT  
REMOVE MANUAL  
FROM MACHINE



75 WEST PLATO BOULEVARD • ST. PAUL, MINNESOTA 55107-2095

## EXPRESS WARRANTY

Automatic Products international Ltd. (APi) expressly warrants these automatic merchandisers (the "Unit"), manufactured by it, to be free under normal use and service from defects in material or workmanship for a period of two (2) years from the date of delivery of this Unit to the original purchaser. This warranty extends only to the original purchaser of the Unit. The exclusive remedy for this warranty is limited to the repair or replacement, at APi's sole option, of any part or parts of the Unit that are returned to APi or to the authorized dealer or distributor of APi from whom the unit was purchased with all transportation charges prepaid, and which, on APi's examination, shall, conclusively appear to have been defective. This warranty does not:

- a. extend to any Unit, or part thereof, that was subjected to misuse, neglect, or accident by other than APi after its delivery to the original purchaser;
- b. extend to any Unit, or part thereof, that was modified, altered, incorrectly wired or improperly installed by anyone other than APi or used in violation of the instructions provided by APi;
- c. extend to a Unit which has been repaired or altered by anyone other than APi or authorized dealer/distributor;
- d. extend to a Unit which has had the serial number removed, defaced or otherwise altered;
- e. extend to plastic or glass windows, lamps, fluorescent tubes and water contact parts;
- f. extend to any Unit used outdoors
- g. extend to accessories used with the Unit that were manufactured by some person or entity other than APi.

**APi DISCLAIMS ALL OTHER WARRANTIES OF ANY KIND AS TO THE UNIT AND ALL WARRANTIES OF ANY KIND AS TO ANY ACCESSORIES. THIS DISCLAIMER OF WARRANTIES INCLUDES ANY EXPRESS WARRANTIES OTHER THAN THE LIMITED WARRANTY PROVIDED ABOVE AS TO THE UNIT AND ALL IMPLIED WARRANTIES OF MERCHANTABILITY AND FITNESS FOR A PARTICULAR PURPOSE AS TO THE UNIT AND ANY ACCESSORIES. UNDER NO CIRCUMSTANCES SHALL APi BE RESPONSIBLE FOR ANY INCIDENTAL, CONSEQUENTIAL OR SPECIAL DAMAGES, LOSSES OR EXPENSES ARISING FROM OR IN CONNECTION WITH THE USE OF, OR THE INABILITY TO USE, THE GOODS FOR ANY PURPOSE WHATSOEVER.** No representative of APi or any other person is authorized to assume for APi, or agree to on the behalf of APi, any other liability or warranty in connection with the sale of this Unit. APi reserves the right to make any changes or improvements in its products without notice and without obligation, and without being required to make corresponding changes or improvements in Unit theretofore manufactured or sold.

This document is available free of charge to our customers at

 **Automatic Products**  
*international, ltd.*

75 WEST PLATO BLVD. • ST. PAUL, MINNESOTA 55107-2095

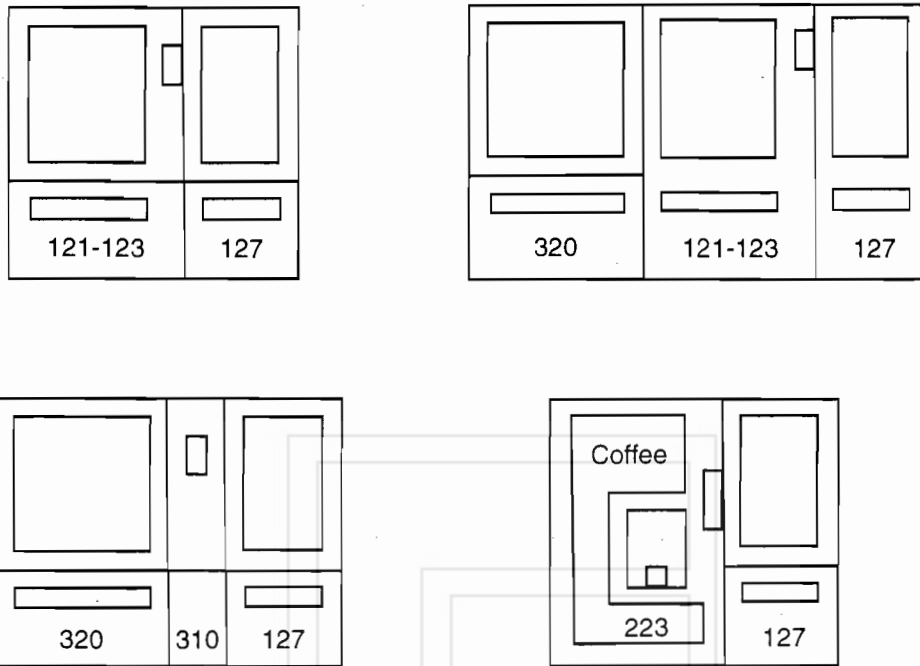
	Page
Introduction . . . . .	1.01
Combinations Possible . . . . .	1.01
Models . . . . .	1.02
Dimensions . . . . .	1.02
Electrical Requirements . . . . .	1.02
Unpacking . . . . .	1.03
Removing Vendor from pallet . . . . .	1.03
Cleaning . . . . .	1.03
Setup . . . . .	1.04
Leveling the Machine . . . . .	1.04
Voltage and Polarity Check . . . . .	1.04
Loading Snack Shelves . . . . .	1.04
Adjusting the Stopping point of the Spiral . . . . .	1.05
Removal of Spiral . . . . .	1.05
Product Spacers . . . . .	1.05
Loading Main Product Candy Shelves . . . . .	1.06
Product Spacers, Candy Selections . . . . .	1.06
Converting Two Candy Selections to One Pastry Selection . . . . .	1.06
Converting One Pastry Selection to Two Candy Selections . . . . .	1.06
Product Pushers . . . . .	1.07
Baged or Boxed Items . . . . .	1.07
Installing Price Tabs . . . . .	1.08
Installing Selection Tabs . . . . .	1.08
Connecting a 127 to a 120 Series Snack, 310 Control Module or 223 Hot Beverage Merchandiser . . . . .	1.08
Parts . . . . .	2.01



This document is available free of charge to our customers at [www.automaticproducts.com](http://www.automaticproducts.com)

# introduction

The 127 Expander allows you the flexibility to expand the capacity of the APi 120 Series Snack Merchandiser, 310 Control Module, or 223 Hot Drink Merchandiser. Simply plug the Expander into any of the above machines with the harness provided and it becomes an extension of that machine. All moneys are deposited into the host machine eliminating the need for costly coin and currency peripherals in the 127 Expander. The following Combinations are possible:



**All installations** require interconnect harness P/N 16800057. This harness is shipped in the delivery bin of all 127's.

### **Installations using a 120 Series as a host machine to a 320 and 127.**

The 320 must be placed on the left side of the snack machine. This will require an MDB extension harness P/N 16800017 to extend the length of the existing communications cable coming out of the back of the 320. This harness is not included with the machine.

### **Installations using a 310-control module as a host machine.**

All 127's hosted off of a 310 Control Module require an additional harness P/N 16800060. This harness is not included with the machine and runs from the board in the 310 to the back of the 310 cabinet. If you are adding a 127 to an previously installed 310/320 you will need to move the jumper on the 320 food driver board to cabinet 2 and do a board reset on the logic board in the 310 Control Module. See the 320 Service manual section 6 for instructions on resetting the logic board.

### **Installations using a 223 Hot Beverage Merchandiser as a host machine.**

**(Note: Not available at the time of printing)**

All 127's hosted off of a 223 require an additional harness P/N (not available at time of printing). This harness is not included with the machine and runs from the board in the 223 to the back of the 223 cabinet.

See Page 1.08 of this manual for selection tab installation diagrams and set up instruction.

The 127 Expander is available in the following shelf configurations; spiral counts as shown are standard, however, can be specified when ordering the machine:

10	10	10
10	10	10
12	12	12
12	12	12
15	15	15

Model 127-515 Capacity 177 Units

10	10	10		
12	12	12		
15	15	18	18	15
18	18	18	24	12
12	12	12		

Model 127-519 Capacity 273 Units

10	10	10		
12	12	12		
15	15	18	18	15
15	15	18	18	15
18	18	24	24	12

Model 127-521 Capacity 324 Units

15	15	15	15	12
18	18	18	18	12
18	18	18	18	15
18	18	24	24	15
18	18	24	24	15

Model 127-525 Capacity 429 Units

This document is available free of charge to our customers at [automaticproducts.com](http://automaticproducts.com)

**127 Cabinet Dimensions:**

- Height - 72 inches (182.88 Cm)
- Width - 23 inches (58.42 Cm)
- Depth - 35 inches (88.90 Cm)
- Shipping weight - 386 pounds (175 Kg)

**Electrical Requirements:**

- 120 Volts AC, 60 HZ.
- Standby Amperes - .7
- Operating amperes - 1

# unpacking

The Snackshop 127 is assembled and packed so that a minimum amount of time is necessary for preparation to install it on location. The following steps are recommended to insure correct unpacking.

1. **Shipping Damage:** Thoroughly inspect the exterior of the carton for damage, which may have occurred during shipment. Report any damage to delivering carrier and follow their instructions.
2. Remove staples from lower edge and those at top of carton, and slit carton vertically at the taped corner. Open and remove carton. Remove the remainder of the packing material. On machines shipped with lock in place, the keys are located in the delivery bin.
3. **Remove Vendor with a Forklift Truck:**  
The Vendor should be removed from the cardboard pallet using a forklift truck. Remove the carton from the vendor. Run forks under the cabinet. Lift the cabinet and remove the cardboard pallet.  
  
**NOTE: Because the weight concentration is toward the back of the cabinet, trucking and lifting should be done from the back. CAUTION should be taken when trucking from side.**
4. On machines with lock in place, unlock, and turn handle to open door. When no lock is furnished, remove clip and turn handle. Swing door to its full open position.
5. Remove all packing tape and paper from various areas of machine.
6. **Warranty:** The warranty card is attached to the cover of this manual. It must be filled out in full and mailed at once to insure coverage.  
It is highly recommended that the 127 be securely

◆ **IMPORTANT:** A set of anchoring brackets is sent with each machine. The kit is located in the bottom of the machine complete with instructions. It is recommended that this kit be installed to prevent shifting of the machine.

attached to the host machine.

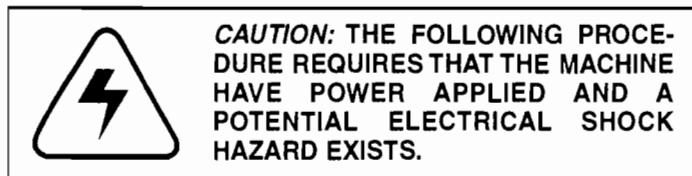
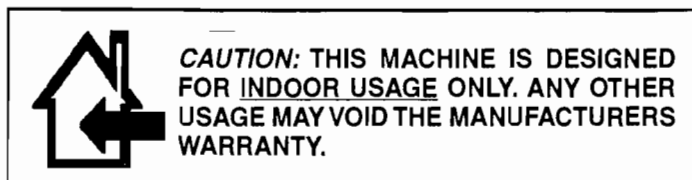
## Cleaning

The Snackshop 120 series will do the best merchandising job for you if it is kept clean. The display window can be cleaned with any good glass cleaner. The exterior and interior surfaces should be cleaned with warm water and mild detergent. Rinse thoroughly and dry all surfaces.

**CAUTION:** Do not use any cleaners containing silicon as this could cause electrical failures.

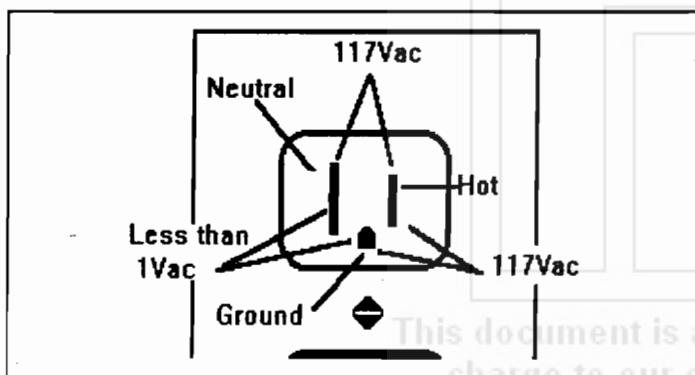
The main product shelves can be best cleaned with the spirals and product spacers removed. Refer to page 1.05 for removal of spirals and product spacers.

**Leveling the Machine** on location is important for the proper function of the machine. The four leveling screws in the legs are the means of leveling the machine. After positioning the machine, level machine in front to rear and right to left directions. After leveling, turn front left (lock side) leveling screw in about one-half turn to drop this corner slightly to make the door easier to close and lock.



### Voltage and Polarity Check

It is important that this machine is hooked up to the proper voltage and polarity. Using a voltmeter, perform the following checks from the illustration below.

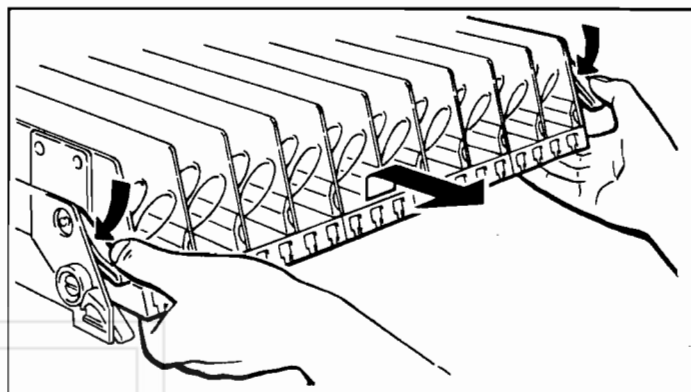


**NOTE:** Should the readings be different from above, have a certified electrician correct the problem.

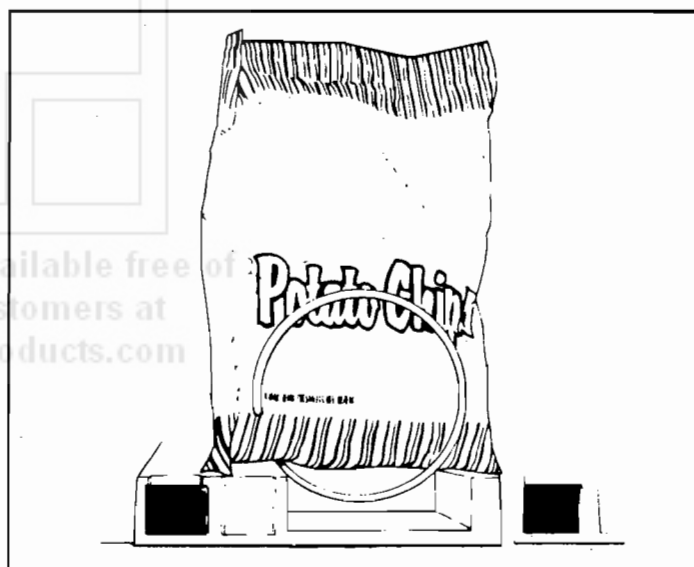
### Loading Snack Shelves

Open door to full open position, push down on plastic lock lever (Figure 1.1) on both sides of shelf to unlock shelf, holding lever down. Grasp the shelf, under both front corners (see Figure 1.1), lift front shelf slightly and pull forward until shelf reaches its stop. The shelves tilt down (do not drop) to make loading easier. Only one product shelf should be in the loading position at a time. When returning a shelf, be sure the shelf is in its full home or vend position. Begin loading with the top shelf. Move it to the loading position. The height spacing for items is greatest in this shelf and the tallest bagged items should be placed there. Soft items, such as pastry, pies, etc., should be placed in the lowest snack shelf, making the drop distance as short as possible.

◆ **IMPORTANT:** Product must not be forced into the spiral spaces but should fit freely. If the product is too tight, use a larger pitch spiral. The bottom of the product should be placed on top of the spiral wire that rests on the shelf surface (see figure 1.2). The width of the product must be greater than the diameter of the snack spiral. If it is smaller, the product may fall through when it is in the front, ready to vend position.



**Figure 1.1: Moving shelf into loading position.**



**Figure 1.2: Placement of product on main product snack shelves and front end position of spiral.**

# installation

## Adjusting the Stopping Position of the Spiral.

One primary difference that distinguishes the new motors from previous motors is the presence of an eight-sided star at the drive hub of the motor. This permits the stopping position of the spiral to be customized by the operator to ensure the best possible delivery of product. To change the stopping position of the spiral, remove the spiral lock from the motor by pinching the shaft of the spiral lock from the back side of the motor and pulling forward on the front side of the spiral lock. The spiral lock can be reinstalled in any of eight different positions by turning the spiral lock to the position desired and pushing the shaft of the spiral lock through the eight sided star at the drive hub of the motor.

## Removal of Spiral

Grasp the front of the spiral and turn it clockwise. Lift the spiral up and off of the spiral lock. When replacing a spiral attach it around the tab on the spiral lock and turn the spiral counterclockwise to lock it in place. Be sure the front end of the spiral is positioned properly (with the front end of the spiral pointing downward on the left side) (see Figure 1.3). Give a light forward pull on front of the spiral to check it is locked in place.

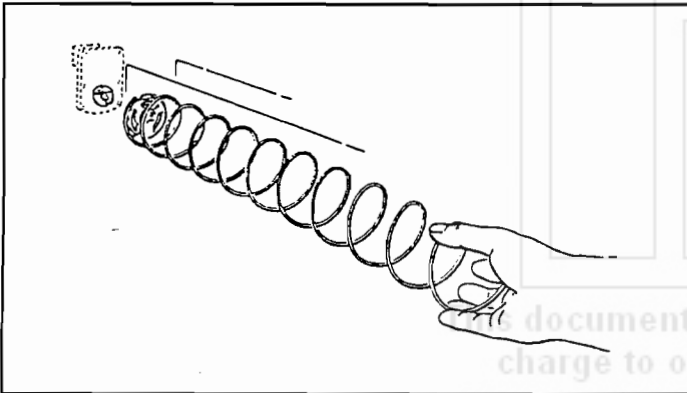


Figure 1.3: Removing and installing spiral.

## Product Spacers-3 Selection Shelf

A product spacer is used to reduce the width of the product area and should be used on any 3-selection snack shelf where the product width is 4 1/2" or less. Spacers should fit within 1/8" of the product but should not fit tight against the product. There are four positions in each snack space where these spacers can be placed. To install the spacer, align the lock ears (on the lower edge of the spacer) with one of the three sets of slot (one front and one rear). (See Figure 1.4). Push the spacer to the rear to allow the ears to enter the slots, then allow the spacer to move forward. Be sure the ears are in the same set of slots, front and rear. (See Figure 1.4). Continue loading all spirals, adjust with spacers where needed. The shelf divider separating the right (hinge side) column from the next column is movable to allow vending of products wider than 5 1/2" in thesecond column. If this is used the right column ust be used to vend a narrow product.

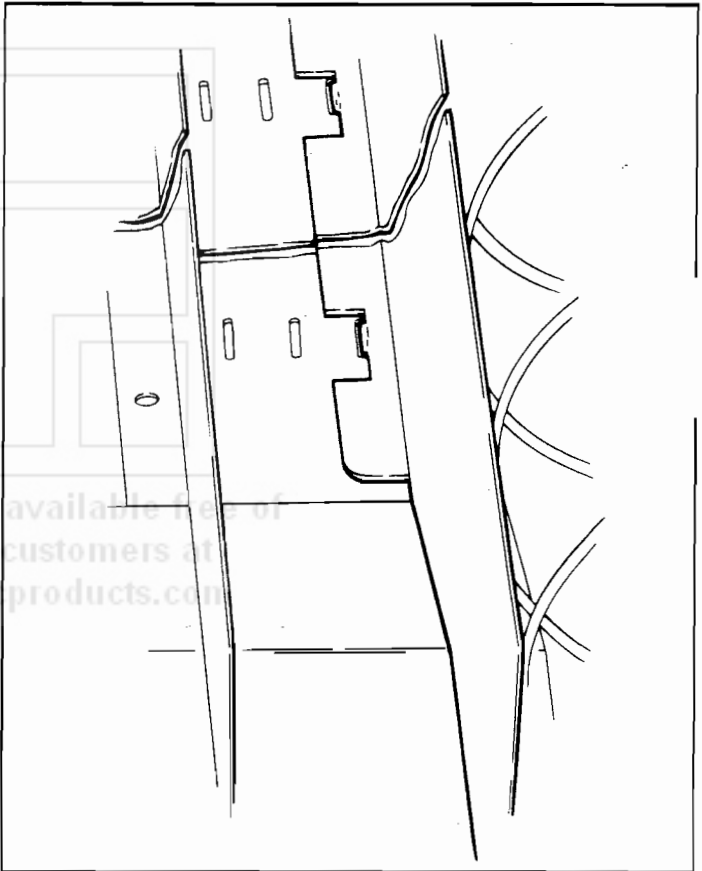


Figure 1.4: Alignment of product spacers.



### Loading Main Product Candy Shelves

The candy columns are loaded similar snack/pastry columns except that the bottom of the product sits on the shelf in front of the spiral wire (see Figure 1.5) that rests on the shelf. These products must also fit properly product in the spiral space; do not force product into spiral.

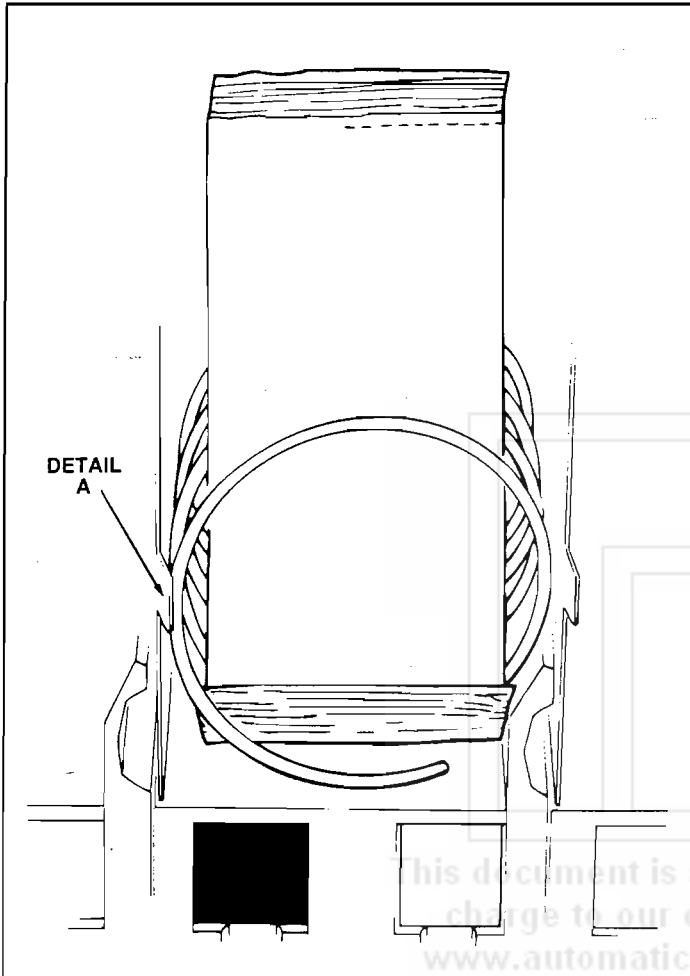


Figure 1.5

### Product Spacers, Candy Selections

Every other candy selection is equipped with a product spacer (see Figure 1.6) that can be pivoted from the right side of the product space. These spacers should be pivoted out to hold the product upright, but not tight against the divider. Leave about 1/8" clearance between the spacer and the product.

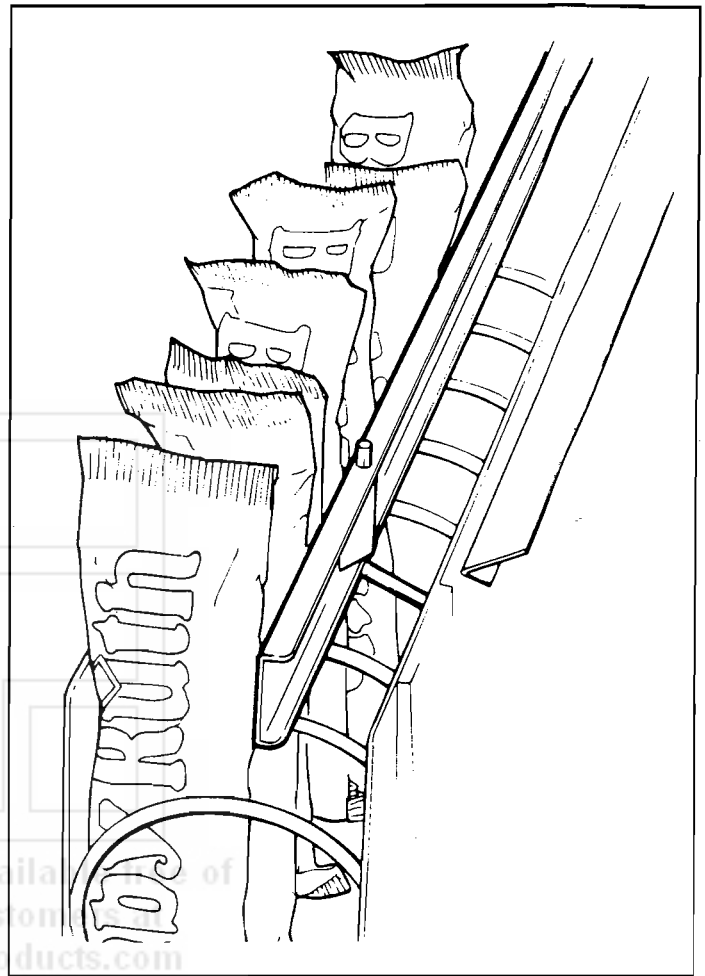


Figure 1.6

#### Converting two candy selections to one pastry selection: (part # 440285 and spiral required for each selection to be converted)

1. Remove the Item tab holder for the two candy selections to be converted by removing the two screws holding the tab holder in place.
2. Remove the divider separating the two candy selections by pushing back on the divider and lifting upward.
3. Remove the spirals and both motors. Reinstall one of the motors at a 150-degree angle, like the other pastry motors.
4. Attach one set of wires back on the motor, noting the number of the wire going on the small terminal. That number will be the last digit of the selection number for that motor. Attach the new Item tab holder **PN 440285** for the pastry selection and install the new spiral.

#### Converting one pastry selection to two candy selections. (Use 2 selection add on kit part # 750150-4 and spiral)

1. Remove the Item tab holder for the pastry selection by removing the two screws holding the tab holder in place.
2. Remove the Motor currently being used for that selection and reposition the motor in a vertical position.
3. Put the divider in place to separate the two candy columns by aligning the ears on the divider with the slots on the shelf, push the divider to the rear allowing the divider to enter the slots, then allow the divider to come forward.
4. Add the second motor and attach the wires.
5. Attach the new Item tab holder for the candy selections and install the new spirals. Put in the appropriate selection and price tabs.

# installation

## Product Pushers

Included with the machine are enough pushers to install a pusher on each candy spiral. This plastic part is designed to push the top of the product forward while it is vending, helping it fall from the shelf. It can also be used with products that have the wrapper end flap on the outside of the package. In this case, the pusher prevents these products from hanging on the spiral by spreading the flap. The pusher is installed approximately 210 degrees (1 o' clock) from the front end of the spiral with the tab extending forward (see Figure 1.7). Locate the pusher in its proper position, hold it against the spiral wire and push the semi-circular part around the spiral wire. Note: Not every selection spiral will need a product pusher. (Example - Box Items.)

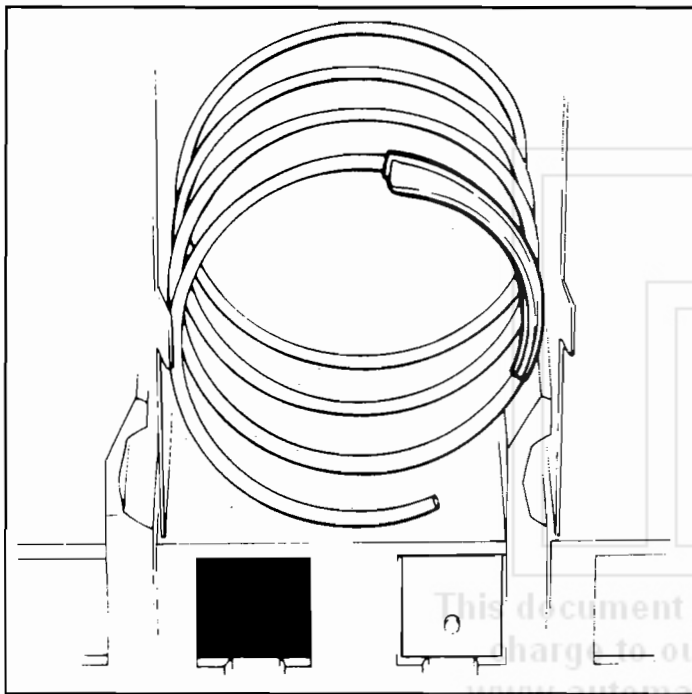


Figure 1.7: Location of product pusher on spiral.

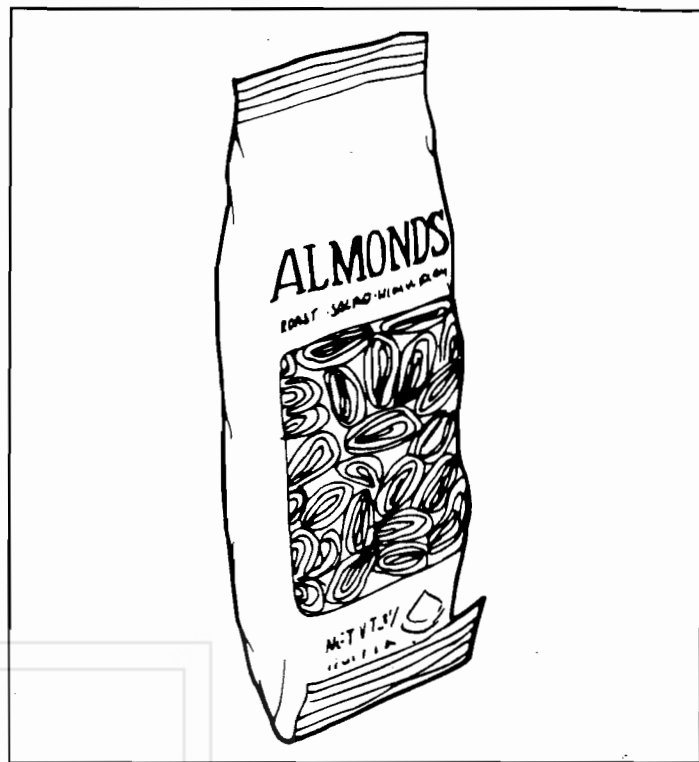


Figure 1.8: Fold bagged items bottom edge forward and up.

**LOCK PRODUCT SHELVES.** After all the product has been loaded be sure all shelves are returned to their vend position behind the front roller guide.

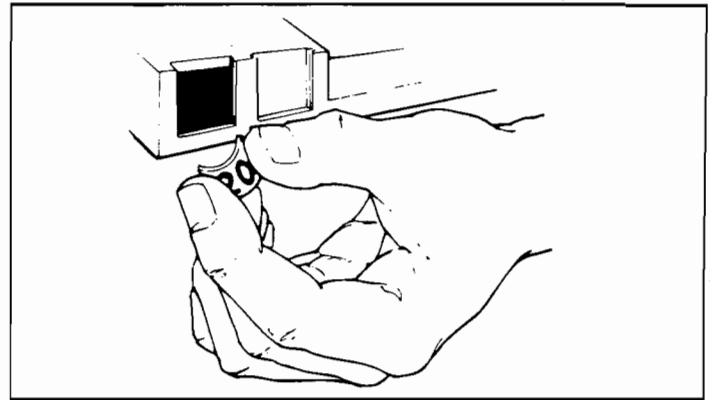
**Bagged or boxed Items** In the candy shelves, if not loaded properly could be a problem. The sealed edge of the bag may get under the spiral wire causing the product to hang up after it has been vended. It is recommended that the lower edge of these types of product be folded forward and up (see Figure 8) next to the product before inserting into the spiral space. It is also recommended to use an wider space spiral than normal for bagged items because of the product setting to the bottom of the package.

## CIGARETTE VENDING FROM THE API 127.

Cigarettes can be vended from the candy shelves using the 15-capacity spiral for the soft pack regular, king, 100 MM or 120 MM packs. The 12-capacity spiral should be used for box packs.

**INSTALL PROPER PRICE TABS** into price tab holder for each selection in the main product area. (See Figure 1.8)

**INSTALL PROPER SELECTION TABS** into the tab holder. Below is a diagram for each model showing the correct selection tab placement.



**Diagrams for Item Tab Installation:**

Note: When attached to a 223 coffee all selections will start with a 0 (011) instead of a 1 (111).

111	115	119
121	125	129
131	135	139
161	165	169
181	185	189

Model 127-515 Capacity 177 Units

111	115	119		
121	125	129		
131	133	135	137	139
116	163	165	167	169
181	185	189		

Model 127-519 Capacity 273 Units

111	115	119		
121	125	129		
131	133	135	137	139
161	163	165	167	169
181	183	185	187	189

Model 127-521 Capacity 324 Units

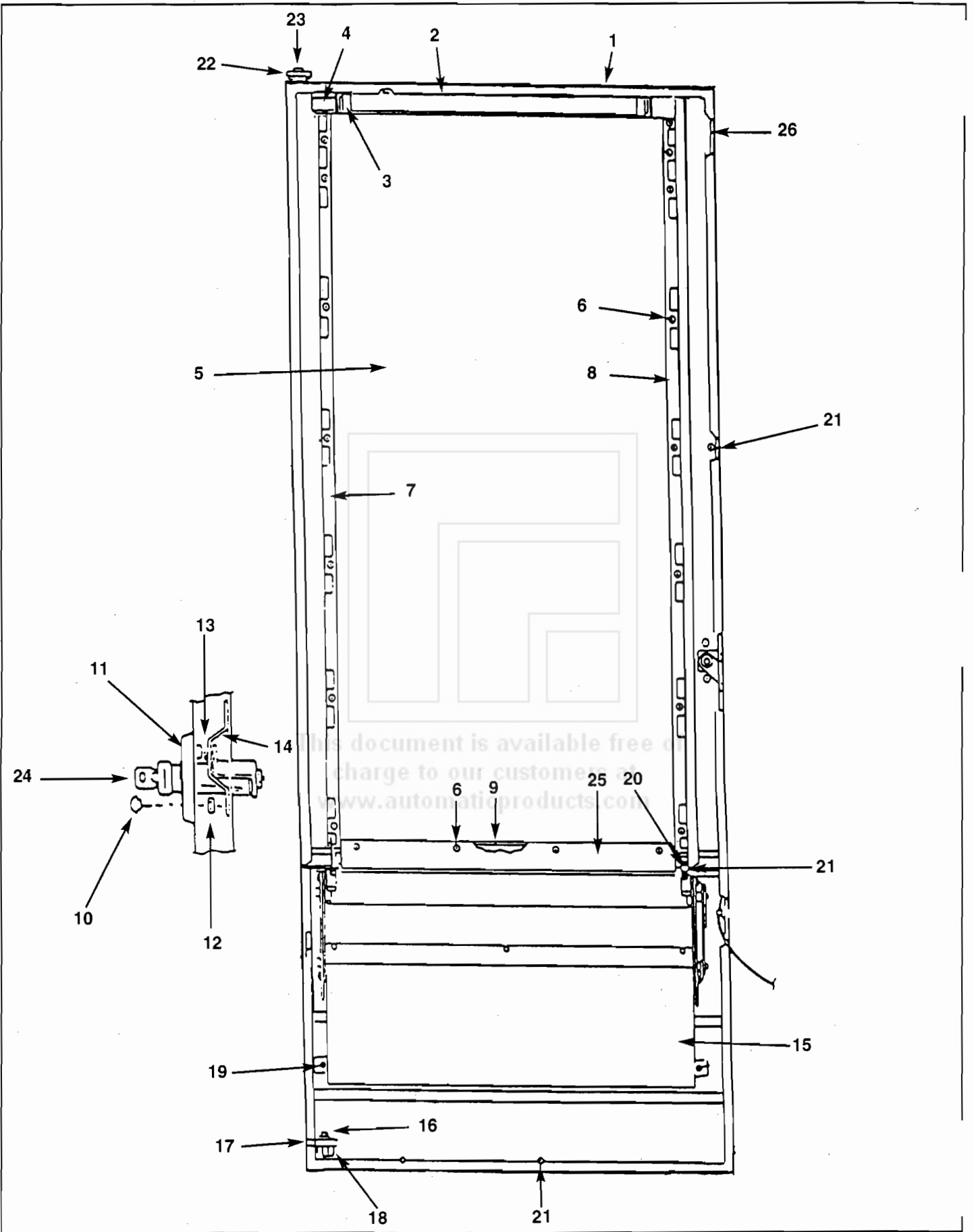
111	113	115	117	119
121	123	125	127	129
131	133	135	137	139
161	163	165	167	169
181	183	185	187	189

Model 127-525 Capacity 429 Units

**Connecting a 127 to a 120 Series Snack, 310 Control Module or 223 Hot Beverage Merchandiser.**

1. Locate the interconnect harness shipped in the delivery bin.
2. Attach the interconnect harness between the 127 and the host machine. The plug for the interconnect harness is located on the backside of the cabinet. **Note: 120 Series snack merchandisers above serial # 12XA99305000 (X= 1 for 121, 2 for 122 or 3 for 123) have the connection for the 127 on the back of the machine already installed.**
3. After the machines are connected, open and close the door on the host machine. This will cause the machine to scan itself and turn on the selections in the 127.
4. Price the selections in the 127.

For detailed information on setting up a 120 Series Snack Merchandiser, please refer to the 120 Service Manual, paying special attention to the colored page in the middle of the book with the heading "Quick Set up Reference".

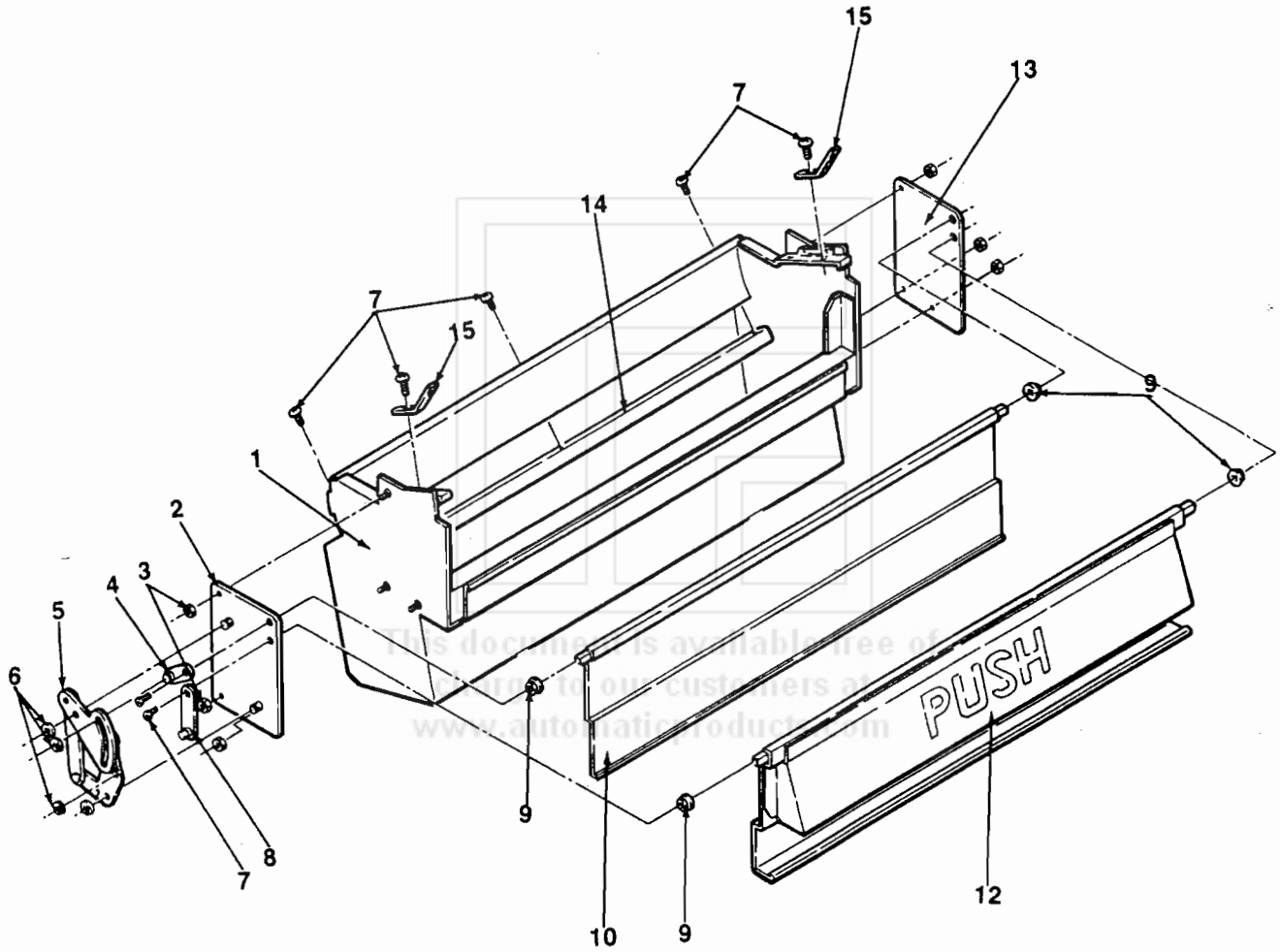


Item No.	Part No.	Description
1	16000084	Door Only, Specify Color. (Square)
	16000089	Door Only, Specify Color. (Odyssey)
2	380022-1	Lamp, Fluorescent (F15T8CW/K-15)
3	16800040	Lamp Harness Assembly
4	380023-1	FS-2 Starter
5	14500001	Front Window 44 5/8 x 16 3/8 x 1/8
6	201-6R11	Screw, Phillips #6-18 x 11/16
7	12000158	Window Clamp, Pivot Side
8	12000157	Window Clamp, Lock Side
9	460436	Window Edging 1/8"
10	118-10-8	Carriage Bolt, #10-24 x 1/2
11	660319-1	Assembly Complete, Lock Handle W/Arm and Nut
12	404-10	Hex Nut
13	640123	Lock Arm Only
14	600741	Lock Bar
15	660558-18	Delivery Bin Complete, See Page 2.03 for Itemized Parts
	<b>660558-21</b>	<b>Odyssey Delivery Bin Complete, See Page 2.03 for Itemized Parts</b>
16	114-41-8	Screw, Hex Head, 1/4-20 x 1/2

Item No.	Part No.	Description
17	400090	Door Stop Rod
18	300151	Door Stop Anchor Nut
19	276-8R6	Screw, Pan Head, Self Tap, 8-32 x 3/8
20	200906	Bin Anchor Strap
21	217-8R10	Screw, Pan Head #8 x 5/8
22	600740	Top Hinge, Specify Color
23	420003-1	Screw, Flat Head
24	420071	Ace Lock w 2 Keys
25	12000183	Bottom Window Clamp
26	400112	Lock Bar Spring

This document is available free of  
charge to our customers at  
[www.automaticproducts.com](http://www.automaticproducts.com)

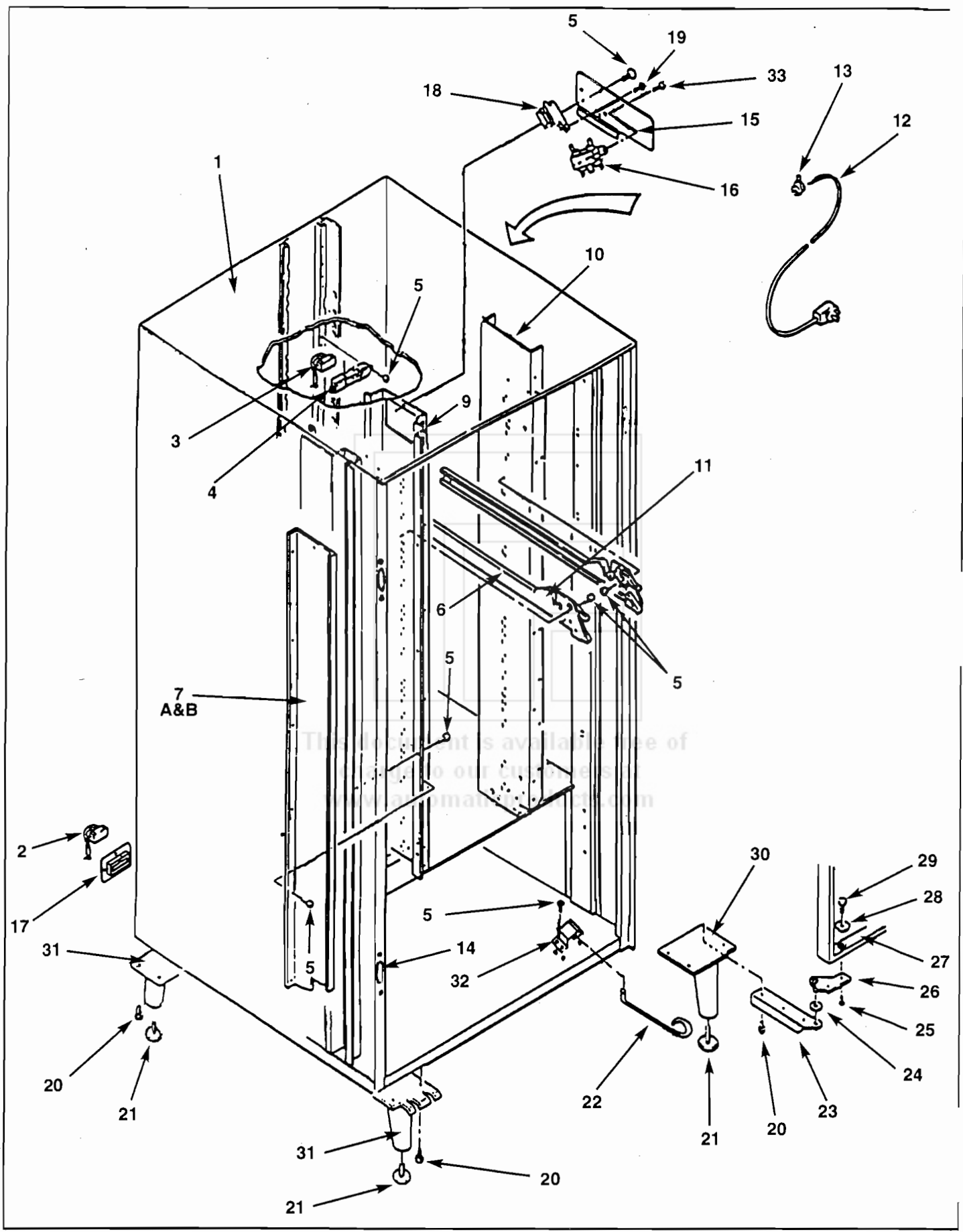
delivery bin



Item No.	Part No.	Description
1	660558-18	Delivery Bin Complete, Black
	<b>660558-21</b>	<b>Delivery Bin Complete, Odyssey</b>
	660817-2	Delivery Bin Weldment
2	640230	Arm Mounting Bracket
3	438-8	Nut, Keps, #8-32
4	640098	Inner Bin Door Arm
5	640100-1	Bin Door Drive Assembly
6	751-37	Retaining Ring
7	116-8R6	Screw, Pan Head, Self Tap, Philips (8-32 x 3/8)
8	640097	Door Drive Arm
9	440129	Door Bearing
	420282	Bin Door Washer
10	200763-7	Inner Door
12	440373-8	Door, Delivery Bin, Black
	<b>440373-11</b>	<b>Door, Delivery Bin, Odyssey</b>
13	202820	Arm Mounting Bracket
14	200902-3	Baffle, Rear, Delivery Bin
15	200906	Delivery Bin Anchor Strap

Item No.	Part No.	Description

This document is available free of charge to our customers at [www.automaticproducts.com](http://www.automaticproducts.com)

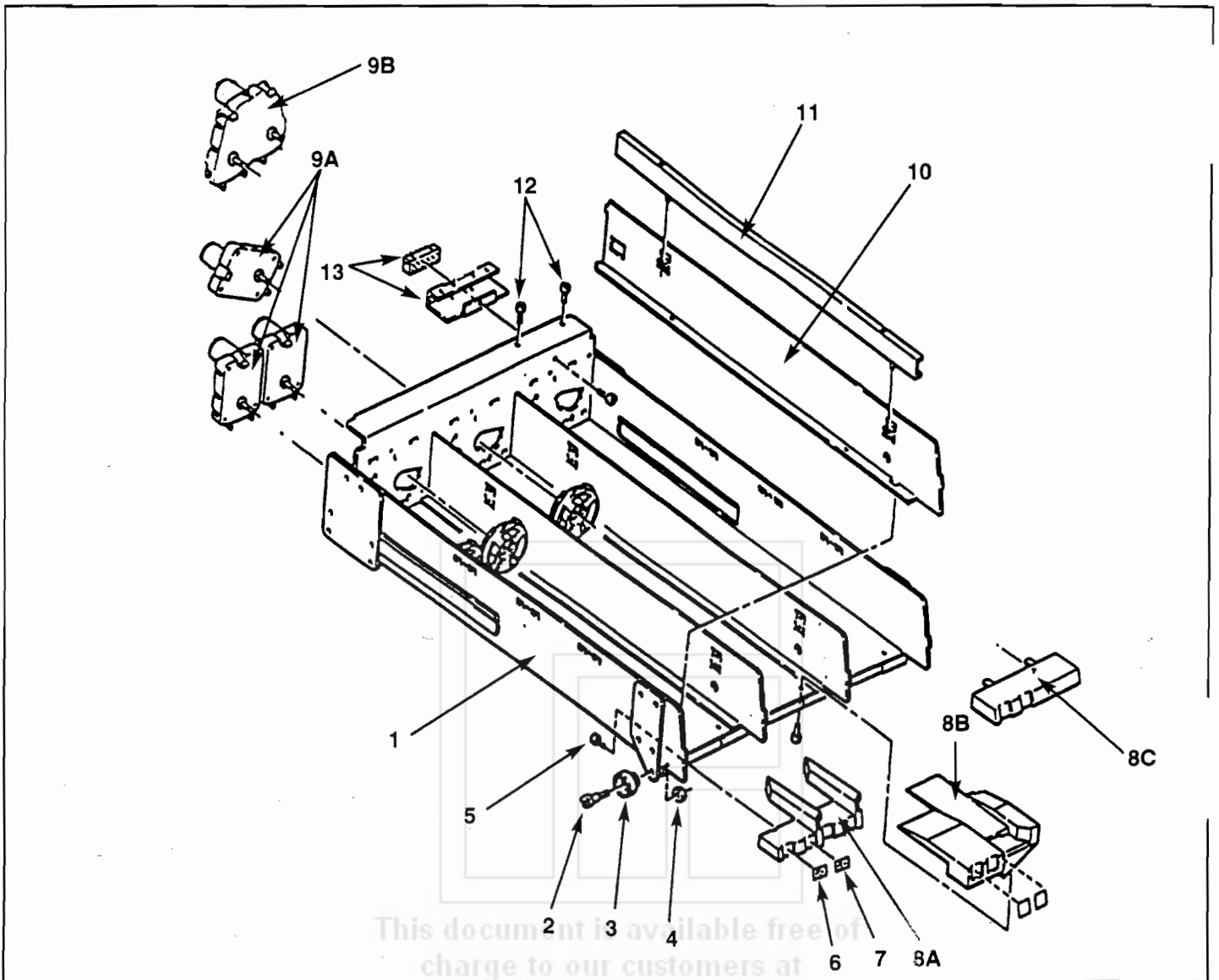




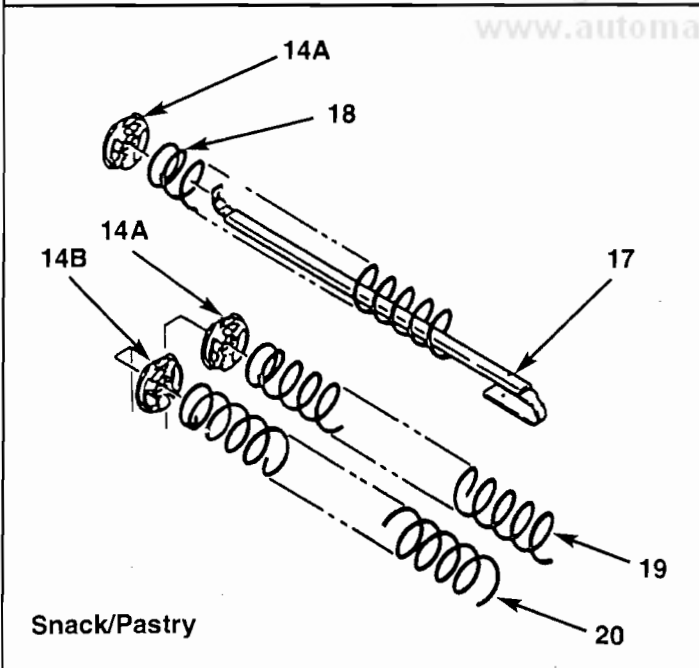
Item No.	Part No.	Description
1	16600079	Cabinet Assembly Complete with Legs. Specify Color
2	16800057	Interconnect Harness, 12X to 127 Cab
3	16600112	Cabinet Back Harness, 5 and 6 Shelf. With Brackets
4	12000173	Bracket Only, Cabinet Back Harness
5	276-8R6	Screw, Pan Head, (8-32 x 3/8)
6	640177	Assembly, Cabinet Shelf Track, Left
7A	12000157	Lock Side Filler Panel
7B	12000158	Pivot Side Filler
9	12000008	Left (Lock Side) Shelf Support
10	12000008-01	Right (Pivot Side) Shelf Support
11	640177-1	Assembly, Cabinet Shelf Track, Right
12	360163	Line Cord
13	380052	Strain Relief Bushing
14	600743	Latch
15	16600092-04	Assembly Complete, Light Ballast and Filter
16	380303	Line Filter
17	14400016	Mounting Plate Only, Interconnect Harness
18	16800041	Ballast
19	216-41R8	Screw, 1/4 x 1/2
20	420187	Screw, Hex Head, (5/16-18 x 3/4)
21	300103	Leg Leveler
22	1440001	Stop Rod
23	12000033	Lower Hinge Plate

Item No.	Part No.	Description
24	420010-19	1 1/16 x .510 x .03 Washer
25	420003-1	1/4-20 x 1/2, Flat Head Screw
26	600742	Lower Pivot Plate Assembly
27	300151	Door Stop Anchor
28	420010-10	Washer
29	114-41-8	Screw Hex Head Mach. 1/4-20 x 1/2
30	600195	Leg Assembly, Rear and Right Front, (Specify Color)
31	600197	Leg Assembly, Lock Side Front, (Specify Color)
32	200940	Door Stop Bracket
33	210-8R6	Screw #8 x 3/8

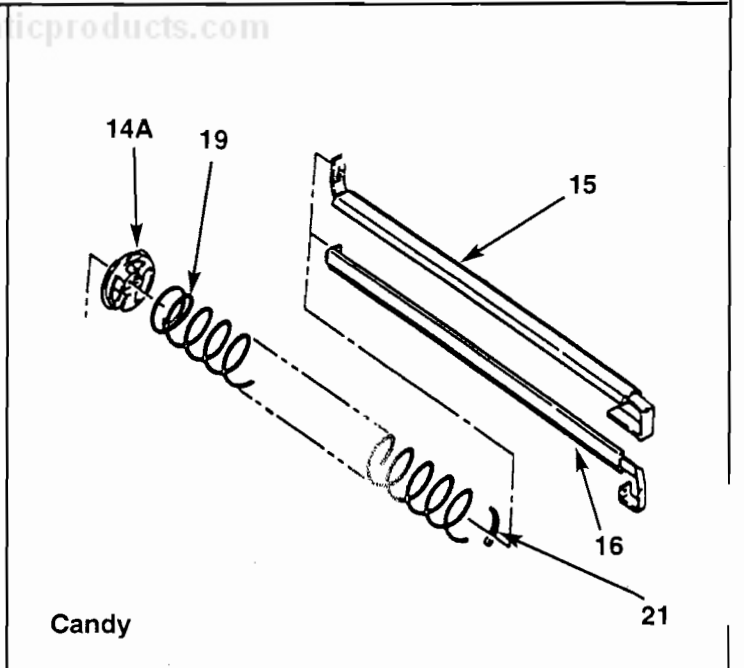
This document is available free of charge to our customers at [www.automaticproducts.com](http://www.automaticproducts.com)



This document is available free of charge to our customers at [www.automatproducts.com](http://www.automatproducts.com)



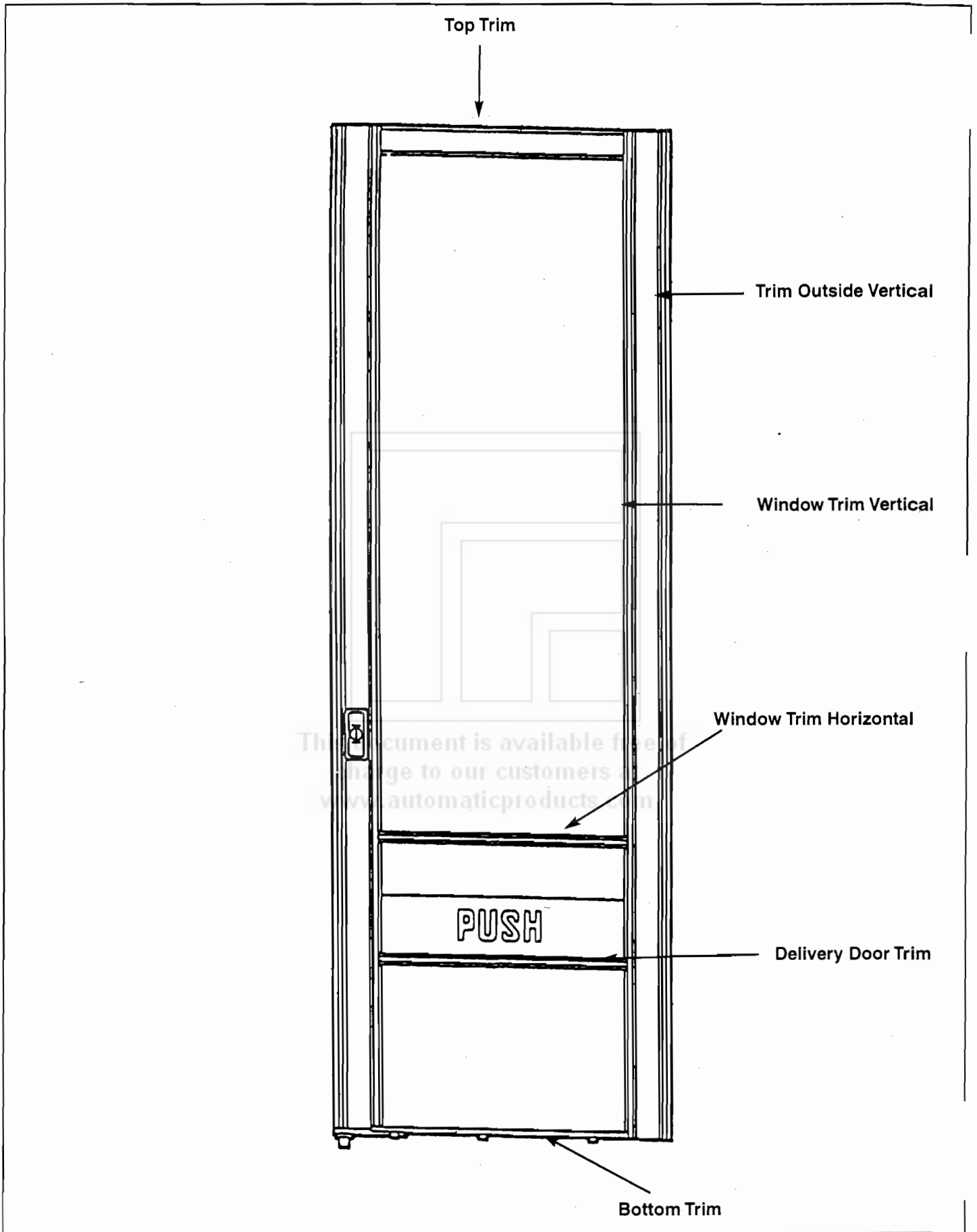
Snack/Pastry



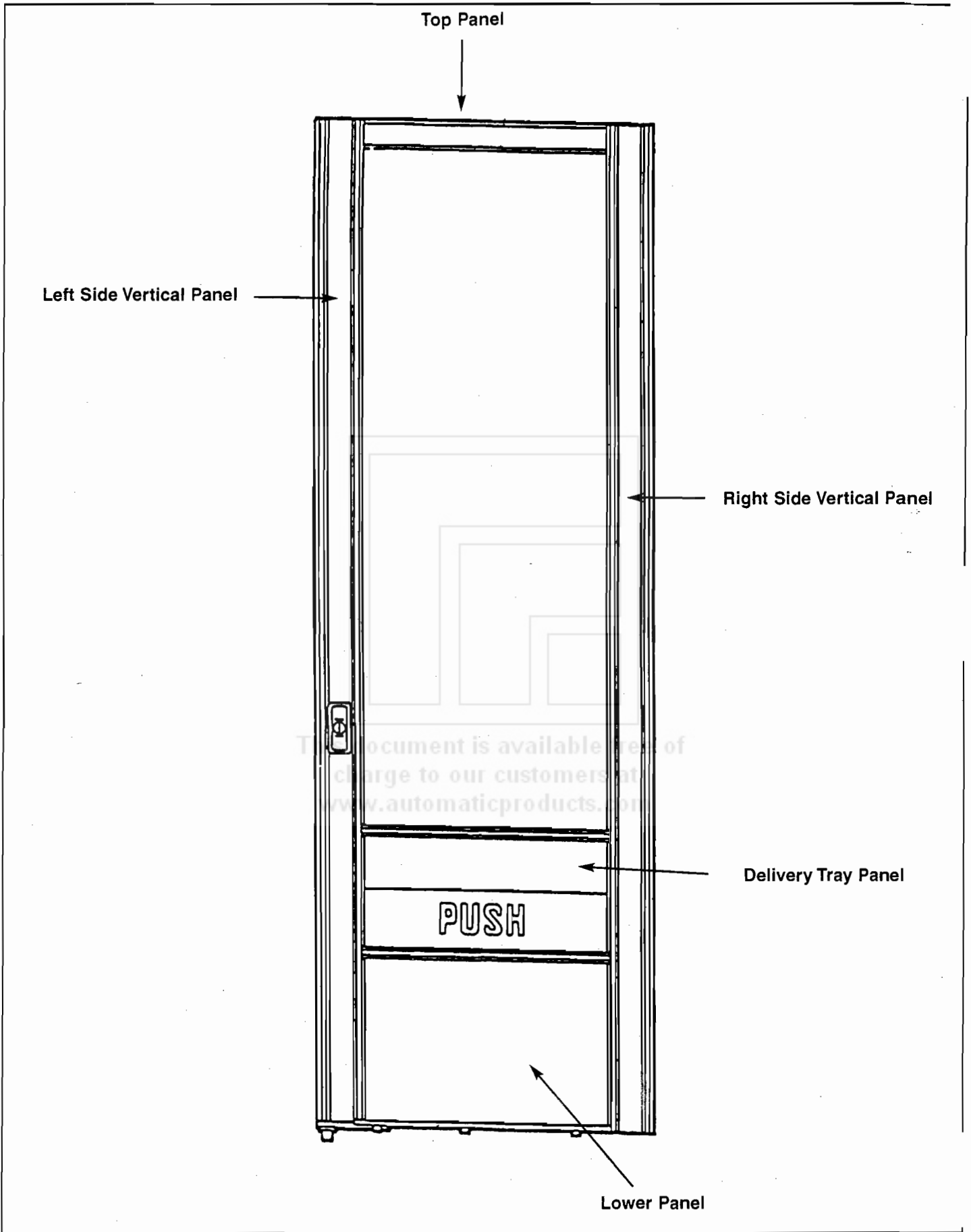
Candy

Item No.	Part No.	Description
1	16600095	Assembly Complete 3 Selection Snack Shelf w/o Spirals.
	16600096	Assembly Complete 4 Selection Shelf w/o Spirals. (2 candy, 2 snack)
	16600097	Assembly Complete 5 Selection Shelf w/o Spirals. (4 candy, 1 snack)
	16000081	Shelf Weldment Only
2	300203	Screw, Shelf Roller
3	440362	Roller, Shelf
4	437-41	Nut, Kep (1/4 x 28)
5	305-8R6	Screw, Plactic (8-16 x 3/8)
6	460669	Item Tabs
7	460347	Price Tabs, Assorted \$.25 - \$1.50
	460602	Price Tabs, Assorted \$3.10 - \$4.05
	14600010	Price Tabs, Assorted \$3.25 - \$5.50
	460740	Price Tabs, Assorted \$.75 - \$1.25
	460347-1	Price Tabs, All \$.30 - \$.35
	460347-2	Price Tabs, All \$.40 - \$.45
	460347-3	Price Tabs, All \$.50 - \$.55
	460347-4	Price Tabs, All \$.60 - \$.65
	460347-5	Price Tabs, All \$.70 - \$.75
	460347-6	Price Tabs, All \$.80 - \$.85
	460347-7	Price Tabs, All \$.90 - \$.95
	460347-8	Price Tabs, All \$1.00 - \$1.05
	460347-9	Price Tabs, All \$1.10 - \$1.15
	460347-10	Price Tabs, All \$1.20 - \$1.25
	460347-11	Price Tabs, All \$1.30 - \$1.35
	460347-12	Price Tabs, All \$1.40 - \$1.45
	460347-13	Price Tabs, All \$1.50 - \$1.55
	460347-14	Price Tabs, All \$1.60 - \$1.65
	460347-15	Price Tabs, All \$1.70 - \$1.75
	460347-16	Price Tabs, All \$1.80 - \$1.85
	460347-17	Price Tabs, All \$1.90 - \$1.95
	460347-18	Price Tabs, All \$2.00 - \$2.05
	460347-19	Price Tabs, All \$2.10 - \$2.15
	460347-20	Price Tabs, All \$2.20 - \$2.25
	460347-21	Price Tabs, All \$2.30 - \$2.35
	460347-22	Price Tabs, All \$2.40 - \$2.45
	460347-23	Price Tabs, All \$2.50 - \$2.55
	460347-24	Price Tabs, All \$2.60 - \$2.65
	460347-25	Price Tabs, All \$2.70 - \$2.75
	460347-26	Price Tabs, All \$2.80 - \$2.85
	460347-27	Price Tabs, All \$2.90 - \$2.95
	460347-28	Price Tabs, All \$3.00 - \$3.05

Item No.	Part No.	Description
8a	440262	Price and Selection tab holder, Candy
8b	440285	Price and Selection tab holder, Snack
8c	440367	Price and Selection tab holder, Dual
9a	360275	Vend Motor Complete, White/ Blue
	360241	Vend Motor 1/2 Cycle. Brown/White
	750135-2	Kit, Half Cycle Add-on
9b	360240	Dual Spiral Motor. White/Blue
10	200753-2	Shelf Divider, Candy
11	660178	Assembly, Candy Spacer
12	276-8R6	Screw, Pan Hd. Self Tap. (8-32 x 3/8)
13	16600094	Shelf Harness with Bracket (6 wire)
14a	440405	Spiral Retainer, White. (RH)
14b	440406	Spiral Retainer, Gray. (LH)
15	660191	Product Rail for use with Candy Spiral
16	660296	Small Product Guide
17	660330-2	Product Rail for use with Pastry
18		<b>Snack Spirals Chrome</b>
	400162-1	6 Space, 3-3/32" (78.6mm)
	400153-1	7 Space, 2-21/32" (67.5mm)
	400127-1	10 Space, 1-7/8" (47.6mm)
	400128-1	12 Space, 1-9/16" (39.7mm)
	400129-1	15 Space, 1-7/32" (30.9mm)
	400136-1	30 Space, 1" (12.7mm)
	400137-1	40 Space, 5/16" (4.8mm)
19		<b>Candy &amp; Right Hand Dual Spirals</b>
	400167-1	6 Space, 2-7/8" (73.0mm)
	400164-1	7 Space, 2-1/2" (63.5mm)
	400166-1	9 Space, 1-15/16" (49.2mm)
	400168-1	10 Space, 1-3/4" (44.5mm)
	400120-1	12 Space, 1-1/2" (38.1mm)
	400121-1	15 Space, 1-1/8" (28.6mm)
	400122-1	18 Space, 15/16" (23.8mm)
	400123-1	24 Space, 11/16" (17.5mm)
	400135-1	30 Space, 1/2" (12.7mm)
	400138-1	40 Space, 3/16" (4.8mm)
20		<b>Left Hand Dual Spirals</b>
	14000003-01	6 Space, 2-7/8" (73.0mm)
	400178-1	7 Space, 2-1/2" (63.5mm)
	400179-1	9 Space, 1-15/16" (49.2mm)
	400169-1	10 Space, 1-3/4" (44.5mm)
	400170-1	12 Space, 1-1/2" (38.1mm)
	400171-1	15 Space, 1-1/8" (28.6mm)



127 Trim		VIP	AP II	Vantage	Aramark	Award	CP3	Sterling, Mission	Tron	Genesis	Apollo	Euro - Grey	Euro - Black	Odyssey	
Top Trim	Part #														Dimensions
Silver, use with insert	340042-20	1				1				1					2 3/4 x 21.446
Black, use with insert	340044-27		1												1.798 x 21.437
Black, use with insert	340044-25			1											1.798 x 16.034
Black, use with insert	340042-21							1							2 3/4 x 21.446
Black, use with insert	340044-26				1										1.798 x 21.437
Black	340055-39								1						Length 21.437
Silver w Black tape	660231-27						2		1						Length 21.437
Black, use with insert	340044-29												1		1.798 x 16.314
Silver, use with insert	340044-28										1	1			1.798 x 16.314
Odyssey, Trim Retainer	16400011													2	1.815 x 15.829
Odyssey, Gray	13400001-02													1	1.815 x 15.829
Trim Outside Vertical	Part #														Length
Silver	340057	2	2			2	2			2					65.609
Black	340057-2			2				2	2						65.609
Silver Taped	660231-20				2										65.609
Window Trim Horizontal	Part #														Length
Silver	340058-47	1	1	1	1	1	1		1						16.034
Black	340058-48							1		1					16.034
Black	340062-14										1		1		16.312
Silver	340062-15											1			16.312
Odyssey, Below Bin	14400001-01													1	17.785
Window Trim Vertical	Part #														Length
Silver	340058-7	2				2									51.531
Silver	340058-2		2		2										52.468
Silver	340058-4						2								50.937
Black	340058-6							2		2					51.531
Black	340058-8								2						50.937
Silver	340062										2	2			65.406
Black	340058-46			2											65.406
Black	340062-1												2		65.406
Odyssey, Left Vertical	38647													1	55.263
Odyssey, Right Vertical	14400002													1	55.263
Delivery Door Trim	Part #														Length
Silver	340055-40				1	1									21.437
Black	340055-39							1		1					21.437
Silver w Black tape	660231-27	1					1		1						21.437
Black	340062-14										1		1		16.312
Black	340058-48			1											16.034
Silver	340062-15											1			16.312
Trim Retainer	16400010													2	4.203 x 15.829
Odyssey, Above Bin	13400002-02													1	4.203 x 15.829
Bottom Trim	Part #														Length
Silver w Black tape	660231-27	1					1								21.437
Black, Square	340055-39								1						21.437
Door Vinyl Edge Trim	12000182			1	1	1		1		1	1	1	1		20.313





# 127 panels

127 PANELS		Panel Style														Dimensions																							
		VIP, Pres Wal	VIP, Black Hide	Vantage, Dove Grey	Vantage, Sterling Royce	CP3, Pres Wal	CP3, Black Hide Plain	CP3, Black Pika	CP3, Black Pika, Sterling	CP3, Slate	CP3, Dove Grey	CP3, Port Au Prince, Pres Wal	Sterling/Mis Bsn Blk, Mor Gry	Sterling/Mis, Slate Pewter	Sterling, Bison Black, Mission		Tron, Dove Grey	Tron, Black Pika	Tron, Slate	Tron, Black Hide Plain	Tron, Sterling Royce	Genesis, Slate	Genesis, Black Hide, Stripe	Genesis, Black Hide, No Stripe	Genesis, Black Pika, all black	Aramark, Dove Grey	Aramark, Pika	Aramark, Slate	Aramark, Pres Wal	Aramark, Black Hide	Aramark, Sterling Royce	Aramark, Trendline Grey	Apollo	Euro Black	Euro Grey				
Left Side Vert. Panel	Part #																		Dimensions																				
Presidential Walnut	202059-19	x																																				2.203 x 53.875	
Presidential Walnut	202059-23					x																						x										2.203 x 51.218	
Black Hide	202059-43	x				x													x			x	x														2.203 x 53.875		
Sterling Royce Van	202059-53				x																																2.203 x 65.578		
Sterling Royce	202059-55																																					2.203 x 51.218	
Black Pika	202059-60																																					2.203 x 53.875	
Slate	202059-59																																					2.203 x 53.875	
Dove Grey	202059-51				x																																	2.203 x 65.578	
Port Au Prince	202059-25																																					2.203 x 51.218	
Dove Grey	202059-36																																					2.203 x 51.218	
Dove Grey	202059-44																																					2.203 x 53.875	
Pewter Sterling	202059-27																																					2.203 x 53.875	
Sterling Royce	202059-31																																					2.203 x 53.875	
Bisson Black	202059-62																																					2.203 x 53.875	
Trendline Grey	202059-34																																					2.203 x 53.875	
Morocco Grey	202059-57																																						2.203 x 53.875
Right Side Vert. Panel	Part #																		Dimensions																				
Presidential Walnut	12000181-05	x																																			2.64 x 53.875		
Presidential Walnut	12000181-18																																					2.64 x 51.265	
Black Hide	12000181-13	x																																				2.64 x 53.875	
Bison Hide	12000181-27																																					2.64 x 51.265	
Sterling Royce Van	12000181-01																																					2.64 x 65.640	
Sterling Royce	12000181-21																																					2.64 x 51.265	
Black Pika	12000181-28																																					2.64 x 51.265	
Slate	12000181-29																																					2.64 x 53.875	
Trendline Grey	12000181-16																																					2.64 x 53.875	
Dove Grey	12000181-3																																					2.64 x 65.640	
Dove Grey	12000181-20																																					2.64 x 51.265	
Port Au Prince	12000181-19																																					2.64 x 51.265	
Black Pika	12000181-17																																					2.64 x 53.875	
Pewter Sterling	12000181-08																																					2.64 x 53.875	
Sterling Royce	12000181-09																																					2.64 x 53.875	
Dove Grey	12000181-10																																					2.64 x 53.875	
Bisson Black	12000181-23																																					2.64 x 53.875	
Trendline Grey	12000181-11																																					2.64 x 53.875	
Morocco Gray	12000181-15																																					2.64 x 53.875	