

**CANDYSHOP
SNACKSHOP
PASTRYSHOP**

instruction manual for

CANDYSHOP

MODEL 172

SNACKSHOP

MODEL 272

PASTRYSHOP

MODEL 372

Automatic **PRODUCTS COMPANY**
75 WEST PLATO BOULEVARD • ST. PAUL, MINNESOTA 55107

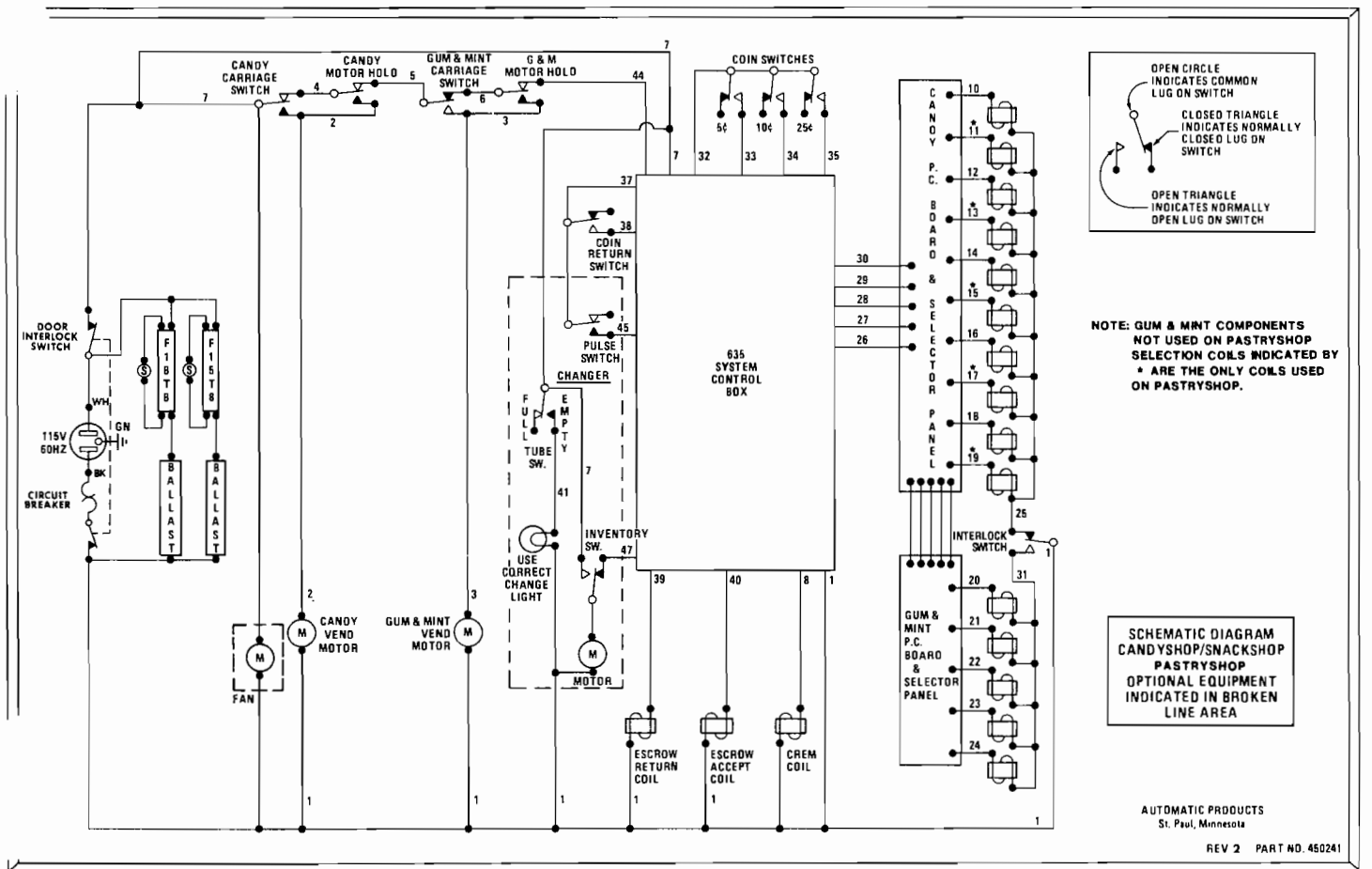
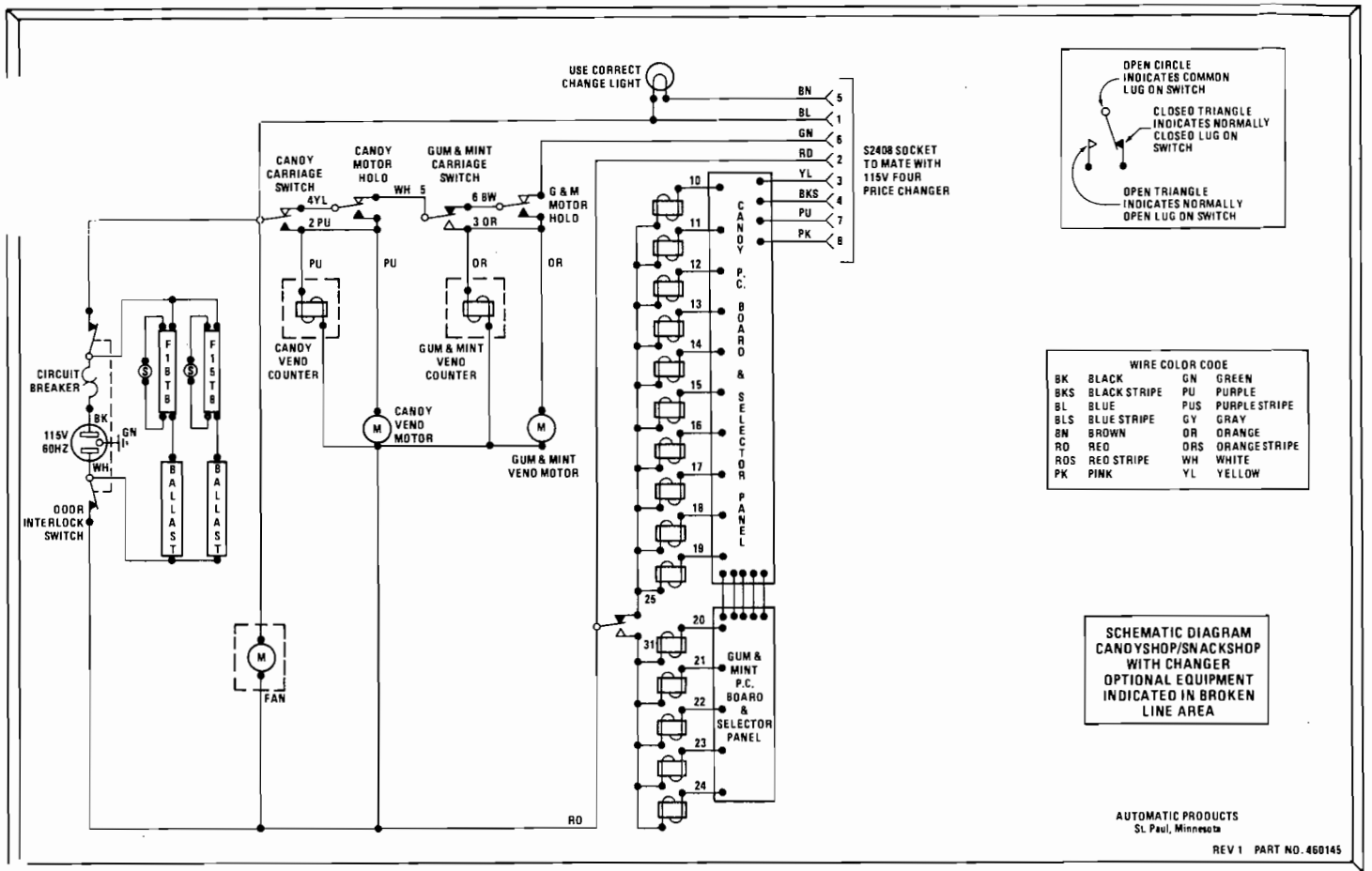


TABLE OF CONTENTS

<p>WARRANTY 3</p> <p>SPECIFICATIONS 3</p> <p>UNPACKING 4</p> <p>INSTALLATION 4</p> <p>ELECTRONIC CHANGER SUPPLEMENT. 38-39</p> <p>LUBRICATION CHART 40</p> <p>SCHEMATICS 1</p> <p>COMPONENTS. 4-8</p> <p style="padding-left: 20px;">1. Door Interlock Switch and Main Circuit Breaker 4</p> <p style="padding-left: 20px;">2. Lighting System 4</p> <p style="padding-left: 20px;">3. Slug Rejector 4</p> <p style="padding-left: 20px;">4. Coin Lockout Relay. 5</p> <p style="padding-left: 20px;">5. Coin Switches. 5</p> <p style="padding-left: 20px;">6. Coin Return 5</p> <p style="padding-left: 20px;">7. Coin Acceptance 5</p> <p style="padding-left: 20px;">8. Control Box & Pricing 5</p> <p style="padding-left: 20px;">9. Main Products Mechanism. 5</p> <p style="padding-left: 20px;">10. Product Paddle Chain. 6</p> <p style="padding-left: 20px;">11. Index-Brake 6</p> <p style="padding-left: 20px;">12. Display Paddle Locking Damper. 6</p> <p style="padding-left: 20px;">13. Gum-and-Mint Mechanism. 6</p> <p style="padding-left: 20px;">14. Selector Panels 7</p>	<p>OPTIONAL EQUIPMENT</p> <p style="padding-left: 20px;">1. Counting Meter 8</p> <p style="padding-left: 20px;">2. Exhaust Fan 8</p> <p style="padding-left: 20px;">3. Sanitation Door 8</p> <p style="padding-left: 20px;">4. Unification Kits 8</p> <p style="padding-left: 20px;">5. Nickel Changermaker 8</p> <p>TRUBLE SHOOTING 8-9</p> <p>PARTS LIST</p> <p style="padding-left: 20px;">Cabinet 20 -21</p> <p style="padding-left: 20px;">Changer 28 -29</p> <p style="padding-left: 20px;">Coin Mechanism 18 -19</p> <p style="padding-left: 20px;">Door, Front, Inside 12 -13</p> <p style="padding-left: 20px;">Electrical Harnesses and Connectors 30</p> <p style="padding-left: 20px;">Gum-and-Mint Columns and Carraige 14 -15</p> <p style="padding-left: 20px;">Index-Brake Assembly 26 -27</p> <p style="padding-left: 20px;">Main Product Carriage 24 -25</p> <p style="padding-left: 20px;">Product Mechanism 22 -23</p> <p style="padding-left: 20px;">Selector Panels 16 -17</p> <p style="padding-left: 20px;">Stylings 32 -37</p> <p style="padding-left: 20px;">Vinyl Fronts. 31</p>
--	---

WARRANTY

The Automatic Products Company warrant this vendor, manufactured by it, to be free from defects in material or workmanship under normal use. Our obligation under this warranty is to the original purchaser only and is limited to making good at our factory any part or parts thereof which shall, within two (2) years after delivery of such product to the original purchaser, be returned to us or to our authorized dealer or distributor from whom purchased with all transportation charges prepaid to our factory, and which our examination shall disclose to our satisfaction to have been defective.

This warranty does not extend; 1: To any of our products which have been subjected to misuse, neglect, accident, incorrect wiring, improper installation, or to use in violation of instructions furnished by us; 2: To units which have been repaired or altered outside of our factory; 3: To cases where the serial number of the product has been removed, defaced or changes; 4: To electrical com-

ponents, lamps, tubes or fuses; 5: To accessories not of our own manufacture used with our products. Any part manufactured by Automatic Products Company, found by us to be defective within the warranty period will be exchanged by Automatic Products Company or their authorized dealer or distributor without charge to the owner.

This warranty applies only to our products which are used within the United States of America, and is in lieu of all warranties expressed or implied, and no representative or person is authorized to assume for us any other liability in connection with the sale of our products.

The Automatic Products Company reserves the right to make any changes or improvements in its products without notice and without obligation, and without being required to make corresponding changes or improvements in products theretofore manufactured or sold.

AUTOMATIC PRODUCTS COMPANY
75 W. Plato Blvd.
St. Paul, Minnesota 55107

SPECIFICATIONS

	CANDYSHOP Model <u>172</u>	SNACKSHOP Model <u>272</u>	PASTRYSHOP Model <u>372</u>
Height	72"	72"	72"
Width	38"	38"	38"
Depth	20-3/4"	20-3/4"	20-3/4"
Floor Space Required			
Shipping Container Size	41.6 Cu.Ft.	41.6 Cu.ft.	41.6 Cu.ft.
Operating Voltage	60Hz	60Hz	60Hz
Standby Amperes	.7	.7	.7
Operating Amperes	2.8	2.8	2.8

CAPACITIES

The capacities will vary due to shelf size and height. Listed are individual chain capacities for the Candyshop, Snackshop and Pastryshop vendors:

- Candy Columns
 - Model 172 and 272 50 Items Per Column
- 1-7/16" Pastry Columns
 - Model 272 and 372 44 Items Per Column
- 2" Pastry Columns
 - Model 272 and 372 29 Items Per Column

GUM-AND-MINT CAPACITY. It is difficult to determine the true capacity due to variations of product size. The average capacity for the Gum-and-Mint columns in the Candyshop model 172 or the Snackshop model 272 is 250 items.

UNPACKING

The vendors are assembled and packed so that a minimum amount of time is necessary for preparation to install them on location. The following steps are recommended to insure correct unpacking.

1. **SHIPPING DAMAGE:** Thoroughly inspect the exterior of the carton for damage which may have occurred during shipment.
2. **THE LEG LEVELING SCREWS** are used to hold the wooden shipping base in place during shipment.
3. **TO REMOVE THE WOODEN SHIPPING BASE,** carefully lay vendor on its back and, using a 1-3/8" socket,

remove the leg levelers. Screw levelers back into the legs and set the vendor up-right to level as necessary.

4. **The ENTIRE MECHANISM,** which swings out of the cabinet for easy loading and servicing, is bolted to the shelf for shipping. Remove the bolt (with tag attached) from underneath the cabinet shelf.
5. **REMOVE RED CARDBOARD STRIP** from top of Gum-and-Mint Carriage. Lower Gum-and-Mint magazine to loading position—the cardboard is then visible.
6. **WARRANTY:** The warranty card is attached to the cover of this manual. It must be filled out in full and mailed at once to insure coverage.

INSTALLATION

1. **LEVELING THE MACHINE** on location is important to the proper function of the machine. The Slug Rejector performs best when it is both VERTICAL and HORIZONTAL. The four leveling screws in the legs of the machine are the means of leveling the machine.

When the machine is level, swing the door open and check the DOOR Stabilizer ROD (Item #34, Page #12) height. The ROD should be as close to the floor as possible without touching the floor during the course of opening or closing the door. Adjust the height by removing the mounting bolt, holding the rod at the desired height and replacing the bolt through the mounting hole in the door that lines up with one of the tapped holes in the rod.

2. **PRICE TABS** are included with each vendor. Insert the proper tabs in the holders in both the Gum-and-Mint columns and at the top of main product display glass. Set the PRICING CONTACT ARMS accordingly. (See PRICING Page #5.)
3. **GUM RETAINERS** must be clamped in correct position. (See instructional decal on inside of front door.)
4. **LOAD PRODUCT AND GUM-AND-MINT** according to instruction. (See "LOADING" of PRODUCT MECHANISM Page #5 and GUM-AND-MINT MECHANISM Page #6.)

COMPONENTS

1. **DOOR INTERLOCK SWITCH AND MAIN CIRCUIT BREAKER:** The switch box, containing the main circuit breaker for the entire machine, a receptacle, and the interlock switch is located in the base of the cabinet. (Page # 20, Item # 11.)

Current passes through the interlock switch before it reaches any operating part of the machine. The switch is held "ON" when the door is closed, and "OFF" when the door is open. Therefore, no "live" wires or terminals are accessible during servicing of the machine.

The main 5 amp circuit breaker is located on the right side of the switch box. The only thing that should cause a circuit breaker to open is a short, this could result from a shorted component such as a motor, coil, or a bare wire touching a piece of metal. Keep this in mind anytime you find the circuit breaker open. If you reset it and the machine starts working again, before leaving the location the machine should be thoroughly tested. Be sure to operate all the selections.

2. **FLUORESCENT LIGHTING SYSTEM:** The fluorescent lamps in the Candyshop, Snackshop and Pastryshop vendors are located on the door. The ballast and starter for each lamp are located on mounting brackets on the right side of the door (when facing the inside).

The fluorescent light circuit has been changed. The lights are now wired direct so that they do not go off when the door is open. This was changed to help extend the life of the fluorescent lamps. The lights can be unplugged at the safety switch box if desired.

3. **SLUG REJECTOR:** It is extremely important for proper operation that the slug rejector be level, vertical and horizontal—therefore, the machine must be level.

To clean the rejector mechanism follow the instructions of the manufacturer of the rejector. Rejector manuals are available on request from your Automatic Products Company distributor or write to: Service Manager, AUTOMATIC PRODUCTS COMPANY.

4. COIN LOCKOUT RELAY: The coin lockout relay (Pg. #18, Item #54), located behind the acceptor mechanism, prevents the acceptance of coins either when the machine is not plugged in or during the vending cycle. When the relay is not energized the "Fingers" on the relay block the coins from actuating the Coins Switches—and deflects them into the coin return chute and to the delivery tray. Care should be taken when removing the acceptor, or damage may be done to the lockout relay fingers.

5. COIN SWITCHES: The coin switches are located just below the acceptor. Each coin (nickel, dime and quarter) actuates its respective switch after passing through the acceptor. The nickel, dime and quarter switches are wired to the control box.

6. COIN RETURN: Actuation of the coin return lever no longer causes the Gum and Mint motor to cycle. The coin return lever is only used to clear any coins that may hang in the acceptor and causes the escrow pocket to tip and return any money that has been deposited. If no money has been deposited the escrow pocket will not activate.

7. COIN ACCEPTANCE: The coin acceptance mechanism, located below the coin switches, houses an escrow pocket into which the coins fall and remain until they are either accepted or returned to the customer. The escrow pocket is tipped to the front (to return the money) or to the rear (to deposit the money into the cash box) by the return or acceptance solenoid coils. The coils are mounted on a bracket on the side of the housing.

8. CONTROL BOX AND PRICING: The 635 system is equipped with five (5) pricing modules allowing prices from 5¢ to \$6.35.

The pricing modules on the System 635 Control are numbered from top to bottom 1, 2, 3, 4 and 5. Each price module has seven switches. The vend price of each module is determined by the "sum" of switches in the on position. (See price setting instruction decal on the Control Box.) These pricing modules connect to the price lines on the printed circuit boards from bottom to top. For example, the pricing module marked number one (1) at the top of the System 635 Control is used to set the price for the bottom price line on the printed circuit board, the pricing module marked number two (2) on the System 635 Control is used to set the price to the second price line from the bottom on the printed board etc. With the prices set for each price line, you are now able to move the pricing arm for each selection and sell at its correct price.

VENDOR WITH ELECTRONIC CHANGER

The Electronic Changer allows vending from 1 to 4 different prices at one time, within a price range of 5¢ to \$1.55. See pages 38-39 for individual parts.

9. MAIN PRODUCT MECHANISM: (Refer to Page #22.)

LOADING:

Open the product compartment door and load the columns as follows:

- A. Place the first item in the display paddle (Item #58), face up.
- B. Continue loading the plastic shelves (paddles) above the display paddle, placing one item per paddle face up.
- C. Load each of the columns up to the top, and then close the compartment door. Swing the mechanism out of cabinet and load columns from the top down in the rear. When loading the rear the item **MUST** be loaded **FACE DOWN** so they will be face up when they reach the display paddle.
- D. A metal mirror, located on the top of the compartment door, enables the person loading the rear to see the top item in each column so that the merchandise is loaded correctly in the rear. **IMPORTANT:** Care should be taken **NOT** to skip loading any shelf, for display paddle will then show **EMPTY** when this shelf reaches the discharge position and customers will no longer operate this column

PRICING:

The price tab for each selection is to be mounted in the holder at the top of the display glass. Insert the right hand side of the tab into the right side of holder. Push the left side of the tab down into holder and slide tab to the left.

The pricing arm for each selection is located on the printed circuit board of the selector panel directly behind each button.

OPERATION: (Refer to Page #24.)

When a selector button is pressed, the respective carriage solenoid for that column is energized. The solenoid plunger (Item #9) tips its pusher (Item #2) into the path of the chain of paddles and trips the carriage damper (Item #11), locking the plunger in the up position. The damper also actuates the carriage switch (Item #16) which energizes the vend motor and opens the circuit to the coin switches, control box, etc.

(Refer to Page #22.)

When the motor drives the carriage upward, the pusher engages the paddle chain. The chain is moved upward (up in the rear, down in the front). As the chain moves down (in front) the display paddle (Item #58) is tipped, allowing the product to slide down into the delivery tray. The display paddle then returns to its normal position and receives the next product item as the chain moves down and stops.

Just before the carriage completes the upward stroke, the carriage damper is reset by the carriage damper pivot pins which hit the damper reset arms (Item #87), thus allowing the solenoid plunger in the carriage to drop. The pusher however remains engaged with the paddle chain until the carriage completes the upward stroke.

The motor hold switch (Item #15), continues to supply current to the motor to return the carriage to its rest position.

TO REMOVE MAIN CARRIAGE:

- A. Swing main mechanism out of cabinet. Remove carriage harness clamp and unplug carriage harness.
- B. Remove the spring and drive arm (Page #22, Items #23 and #25 from pivot side of mechanism.
- C. Remove spring and drive arm from lock side of mechanism.
- D. Remove one screw holding damper reset arm (Item #87) and swing arm to horizontal position.
- E. Slide the carriage out the lock side of mechanism.

TO INSTALL MAIN CARRIAGE: Reverse the above procedure.

10. PRODUCT PADDLE CHAIN ASSEMBLY:
(Refer to Page #22.)

Each of the columns consists of a continuous chain of plastic paddles, connecting link and a connecting paddle.

TO REMOVE A PADDLE CHAIN ASSEMBLY FROM THE MECHANISM:

- A. Disconnect display lock damper lock link (Page #22, Item #76) from lever (Item #77) by removing the retaining ring (Item #74).
- B. Remove the two (2) retaining screws on the index-brake assembly from either end of the mechanism, depending on which end of the mechanism the chain assembly is to be removed. For example, should you want to remove the chain assembly nearest the pivot point, remove the two (2) screws from the index-brake assembly at that end of the mechanism.
- C. Stand behind the paddle chain assembly to be removed. Grasp the top most paddle and rotate the chain-ONE PADDLE AT A TIME-in the same direction as it moves during the vend cycle, until the splicing paddle and the splicing knuckle are positioned at the top rear.
- D. Remove the screws holding the splicing knuckle and disconnect the chain ends from each other.
- E. Hold the paddle chain firmly and pull chain of paddles straight up, in the rear, until the chain is completely out of the machine.

TO INSTALL A PADDLE CHAIN ASSEMBLY:

- A. Lower the end of the chain assembly into the front guide channels. Be certain the ribs are at the top of paddles in the front.
- B. As the end of the chain reaches the bottom, guide it around the bottom roller and up into the rear guide channels.
- C. Care should be taken that the carriage pusher has not been disturbed from its position on the carriage.
- D. Holding each end of the chain, pull up on the chain in the REAR until the two (2) ends meet at the top rollers.

E. Snap the holes in the connecting knuckle over the round brass sleeves in the paddles on the other end of chain and secure with the two (2) 8-32 screws.

F. Replace the two (2) index-brake assembly retaining screws and connect the display lock damper link.

11. INDEX-BRAKE ASSEMBLY: (Refer to Page #26.)

OPERATION:

The index-brake assembly, which passes through the candy columns above the carriage, keeps the paddle chains correctly indexed (in line) and serves as a brake to keep the paddle chains from moving faster than the carriage during the vend cycle.

The assembly consists of spring loaded, contoured plastic blocks (Item #16) bearing against the knuckles of the paddles. The long hinge (Item #9) mounted on the back of the assembly is operated by the index-plug(s) of the particular paddle chain.

12. DISPLAY PADDLE LOCKING DAMPER:

The display paddle cannot be tipped when the carriage is in the rest position. This is accomplished by the display paddle locking damper (Page #22, Item #61) held in a position to barricade the display paddles. As the carriage starts its vend cycle, the damper is released from the locking position by movement of the rocker arm (Page #22, Item #85).

13. GUM-AND-MINT MECHANISM:

LOADING:

The gum-and-mint columns and drive mechanism are located on the door. Load the columns so that the packages of gum, mints, etc., are right-side-up when viewed from outside the door, since the merchandise to be vended is the display.

Any of the columns will vend small or large pack gum or short mints. Four of the columns have fillers which may be removed to vend long mints. When reinserting filler into stacks, be certain the 'dimples' of the fillers are in the holes of the stack.

Retainers are attached to the base of each column and should be used as follows: Short flange down for mints. Long flange down for five stick gum. Short flange down for seven stick gum.

OPERATION: (Refer to Page #14.)

When a gum-and-mint selector button is pressed, the respective carriage solenoid in the gum-and-mint carriage is energized. The solenoid plunger (Item #38) raises its pusher (Item #37) and trips the carriage damper (Item #12); at the same time it locks the plunger in the UP position. The damper also actuates the carriage switch (Item #36), which energizes the vend motor and opens the circuit to the coin switches, control box, etc.

As the carriage is driven through the vend cycle the pusher engages the ejector lever (Item #46) under the column. As the ejector is pulled in under the stack, it

picks up one package of gum or mints. When the carriage returns to its rest position, the ejector drops the package into the chute, the package slides down the chute and into the delivery tray.

REMOVING GUM-AND-MINT CARRIAGE:

- A. Remove gum-and-mint chute.
- B. Remove gum and mint stack assembly by removing support cable from door and the two (2) shoulder screws.
- C. Unplug carriage harness wires.
 1. Five (5) wires at gum-and-mint selector panel.
 2. Remove plug from carriage switch.
- D. Remove pushers from carriage. Raise free end of pusher and pull out at the same time.
- E. Remove connecting rod retaining ring from pin on gum-and-mint motor cam. Remove gum-and-mint carriage housing. *NOTE:* The support housing is still connected to the door by the lower fluorescent lamp harness. **DO NOT** pull on wires while removing gum-and-mint carriage.
- F. Remove the carriage from the support housing by lifting the right hand end of the carriage out of the support housing, sliding the carriage about two (2) inches to the left, and lift out of housing.

TO REPLACE THE CARRIAGE ASSEMBLY REVERSE THE ABOVE PROCEDURE. CAUTION: DO NOT BREAK THE PLASTIC GUIDE RIVETS ON CARRIAGE WHEN HANDLING.

14. SELECTOR PANELS: (Refer to Page #16.)

Each selector panel is a self contained unit fastened to the door.

The extruded aluminum channel houses the buttons, springs, interlock mechanism and printed circuit.

The interlock mechanism, seen when the printed circuit board is removed, consists of two (2) plates holding brass strips (interlock slides). These slides are so designed that when one button is pressed no other button in that panel will operate.

Since it is also necessary to interlock the two (2) selector panels from each other, an interlock switch is mounted on the gum-and-mint selector panel. This completes the circuit to either the common wire of the candy carriage solenoids or the gum-and-mint solenoids. The common wire circuit is normally made to the candy carriage solenoids, but if a gum-and-mint button is pressed the circuit to the candy solenoids is opened and the circuit to the gum-and-mint solenoids is closed.

CAUTION: If the slides are removed, for any reason, they **MUST** be re-assembled in the correct position. The chamfered (or beveled) side of the scalloped end of the brass slide **MUST BE FACING THE BUTTON**. This bevel matches the bevel (or point) on the end of the button.

OPTIONAL EQUIPMENT

1. COUNTING METERS:

Electric counting meters are available on Candyshop, Snackshop, and Pastryshop vendors. Two (2) types are available; reset or non-reset.

A cash accountability meter is available as an option with the System 635 Control. The meter counts in dollars and cents.

2. EXHAUST FAN:

The exhaust fan keeps a steady flow of fresh air moving through the vendor cabinet.

The fan kit furnishes the fan motor and blade, mounting bushings and cord set with instructions. The installation takes but a few minutes.

3. SANITATION DOOR:

A spring loaded plexiglass sanitation door is available to cover the delivery tray opening of the door. This sanitation door prevents the entry of bugs, rodents or other foreign matter.

4. UNIFICATION KITS:

Unification kits are available to make the vendor compatible with other manufacturers.

5. NICKEL CHANGER:

The nickel change maker permits the vendor to vend merchandise and return change in nickels.

LOADING CHANGER:

Follow loading instructions on decal on panel just above change dispensing unit.

IMPORTANT: The tube should be filled carefully so that there are no nickels on edge in any of the tubes to cause the mechanism to jam. It is preferable to use nickels which have passed through a counting or sorting machine that sorts out and rejects the bent or distorted coins. Nickels of this type can usually be obtained at your bank.

NICKEL TUBE SWITCH: Without nickels in the tube that contains the nickel tube switch, the switch will close the circuit to the "USE CORRECT CHANGE" lamp although the machine will still function in a vend cycle if the tube is empty.

With sufficient nickels in the tube containing the tube switch, the switch will open the circuit to the "USE CORRECT CHANGE" lamp.

PREVENTIVE MAINTENANCE:

As with any electro mechanical device or component, the dispensing unit will require a certain amount of maintenance to prevent malfunctioning.

When the dispensing unit is disassembled for any reason, this is an excellent opportunity to clean all normally unexposed parts. The lower tube mounting casting dispensing gear and the motor mounting casting should be cleaned and wiped dry when they become obviously dirty.

TROUBLE SHOOTING

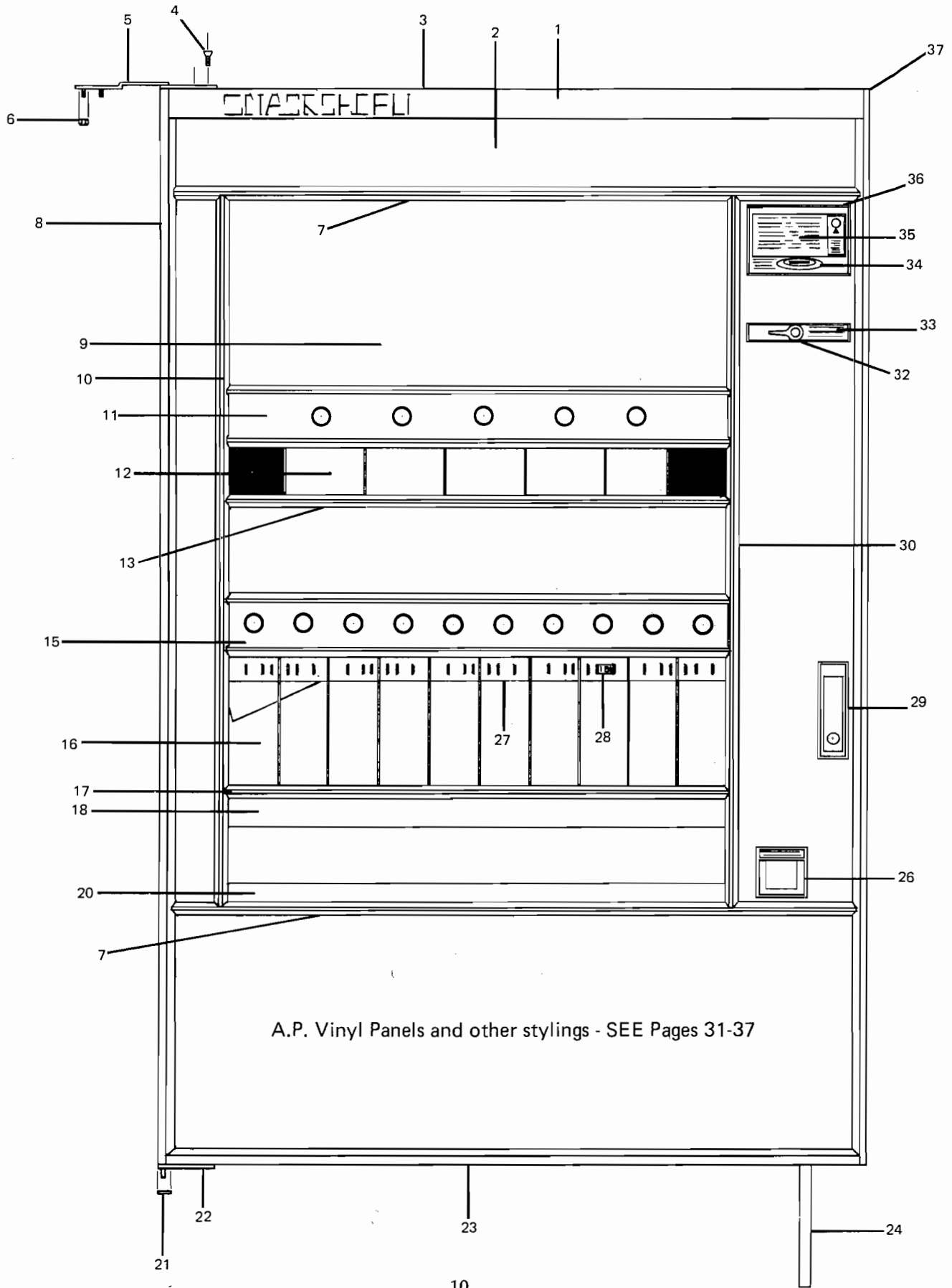
The following section lists possible troubles and their causes. When the correct cause is determined, refer to the particular section of this service manual regarding that area or component for necessary adjustments.

CAUTION: A 115 volt test lamp should never be used for testing the coin return switch, coin switches or changer pulse switch. These switches are all operated on low voltage. Testing these switches with a 115 volt test lamp can result in burning out the 635 Control Box.

Use a VOLT OHM METER ONLY when testing the coin return switch, coin switches or changer pulse switch.

TROUBLE	POSSIBLE CAUSE
1. Fluorescent lights out:	<ul style="list-style-type: none"> A. Machine not plugged into 115V. outlet. B. No current at 115V outlet. C. Main circuit breaker open. D. Loose or defective lamp, starter or ballast.
2. Coins inserted are automatically returned.	<ul style="list-style-type: none"> A. See #1., A., B., C. B. Slug rejector out of adjustment, dirty or not level. C. Open circuit at lock-out relay coil. D. Coin return switch defective or wired wrong.
3. Coin deposited, selection cannot be made:	<ul style="list-style-type: none"> A. Incorrect amount of coins deposited. B. Pricing arm on printed circuit not on correctly. C. Price not set right on control box. D. Loose plug at control box or plug at rejector bracket. E. Faulty coin switch—See Coin Switches Page 5. F. Selector panel interlock switch faulty or disconnected.
4. Product delivered but coins remain in escrow:	<ul style="list-style-type: none"> A. Open circuit at (or defective) acceptance coil. B. Actuating lever from acceptance coil plunger to escrow pocket binding or disengaged.
5. Merchandise delivered, but coin returned:	<ul style="list-style-type: none"> A. Binding escrow pocket. Pocket held in return position. B. Wires on coin acceptance and return coils are on wrong.
6. Coin return pressed, but money is not returned:	<ul style="list-style-type: none"> A. Source of current shut off to machine but lockout relays not blocking coins from entering escrow pocket. B. Defective coin Return switch or wires on wrong.
7. Money inserted for change selection; selection is made, no change is returned.	<ul style="list-style-type: none"> A. Jammed coin in changer dispensing gear. B. Defective changer motor.
8. Gum-and-Mint motor cycles continuously. Candy motor cycles continuously.	<ul style="list-style-type: none"> A. Motor hold switch stuck "ON". B. Carriage damper not completely reset so that carriage switch remains "on", or faulty wiring.
9. Carriage solenoid operates but motor will not drive carriage to deliver product:	<ul style="list-style-type: none"> A. Faulty carriage switch. B. Carriage damper not operating properly to actuate the carriage switch. Check damper springs, damper pivot pins, damper rest angles and damper to ascertain if straight.
10. Pack of gum or mints picked up by ejector but not delivered.	<ul style="list-style-type: none"> A. Ejector spring broken. B. Ejector binding.
11. Carriage driven half way through cycle and stops:	<ul style="list-style-type: none"> A. Defective carriage switch. B. Defective motor hold switch.
12. Not enough change returned:	<ul style="list-style-type: none"> A. Dirty or sticky coin chute. Coin not sliding down. B. Price is set wrong. C. Nickel tubes empty.
13. Too much change returned:	<ul style="list-style-type: none"> A. Coin switch defective. B. Motor is coasting. C. Pricing set wrong.
14. Erratic amount of change being returned:	<ul style="list-style-type: none"> A. Coin chute dirty or sticky allowing one or more coins to stick in chute. B. Coin switch defective.
15. Coins jamming in dispensing gear consistently with no bent or damaged coins present:	<ul style="list-style-type: none"> A. Not enough clearance between the lower tube casting and the motor mounting casting.

DOOR - OUTSIDE FRONT

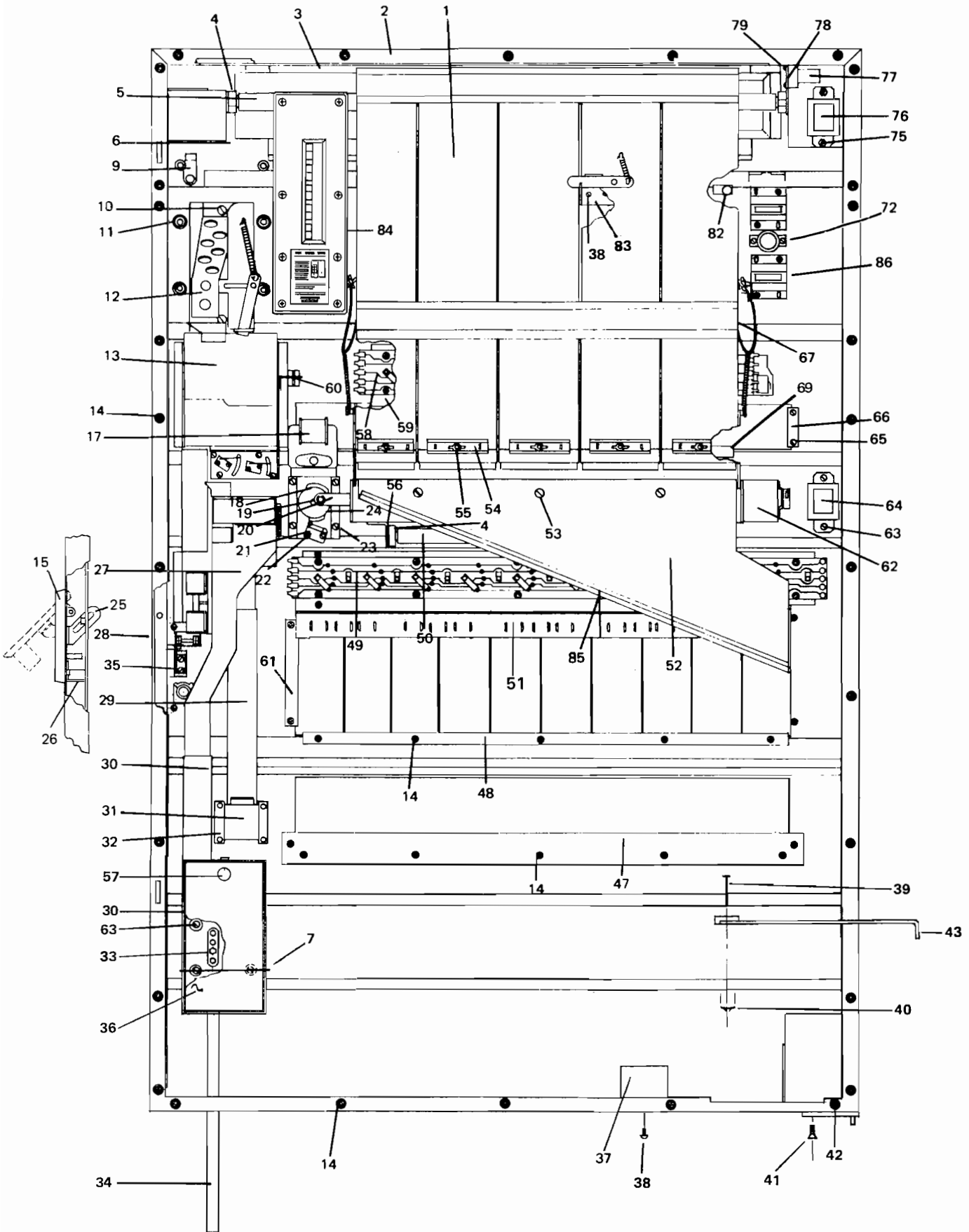


DOOR – OUTSIDE FRONT

Item No.	Part No.	Description
1	200982-1	Insert, Top Trim. Snackshop.
	200982-2	Insert, Top Trim. Candyshop.
	200982-3	Insert, Top Trim. Pastryshop.
2	200161	Panel, Decorative, Hobnail Gold.
	200070-4	Plate, Cover Up. Presidential Walnut.
	200070	Panel, Decorative. Vinyl. See page 31.
3	340044	Top Trim. For Use w/Vinyl Insert.
4	420003-1	Screw, Flat Hd. (1/4 x 20 x 1/2").
5	640015	Hinge, Upper.
6	438-41	Nut, With External Lockwasher (1/4-20).
7	340013-1	Trim, Inside Horizontal.
8	340056-1	Trim, Outside Vertical. 72" Vendor.
9	200242	Panel, Metal—Use w/4 color display. 72" vendor only.
	440049	Picture, 4 color display. 72" Candy
	440049-2	Picture, 4 color display. 72" Chips
10	340013-2	Trim, Inside Vertical 72" Vendor.
11	340006-7	Trim, Selector Button, Gum & Mints.
12	660067	Glass, Gum & Mint Display.
13	340016	Trim, Display Glass.
	340013-4	Trim, Inside Horizontal. Pastryshop only.
15	340006-1	Trim, Selector Button. Candyshop.
	340006-2	Trim, Selector Button. Pastryshop.
	340006-3	Trim, Selector Button. Snackshop w/4 Pastry and 2 Candy columns.
	340006-4	Trim, Selector Button. Snackshop 2/3 Pastry and 4 Candy columns.
	340006-5	Trim, Selector Button. Snackshop w/2 Pastry and 6 Candy columns.
	340006-6	Trim, Selector Button. Snackshop w/1 Pastry and 8 Candy columns.
16	660066-5	Glass, Candy Display.
	660066-6	Glass, Pastry Display.
	660066-1	Glass, Snack Display. 4 pastry and 2 candy columns.
	660066-2	Glass, Snack Display. 3 pastry and 4 candy columns.
	660066-3	Glass, Snack Display. 2 pastry and 6 candy columns.
	660066-4	Glass, Snack Display. 1 pastry and 8 candy columns.

Item No.	Part No.	Description
17	340016	Trim, Display Glass.
18	200163	Baffle, Delivery Tray Opening. Top. Stainless Steel.
20	2001-62-1	Baffle, Delivery Tran Opening. Bottom. Stainless Steel.
21	420010-1	Washer, Shim.
22	640012	Pivot, Lower Hinge. (Mounted to Door).
23	340056-2	Trim, Bottom or Top.
24	300044	Rod, Door Stabilizer.
26	320011	Trim, Coin Return Cup.
27	750075	Holder, Price Tab.
28	460037	460037-1 Tabs, Price. 30 Tabs Printed 10¢ on 1 side/15¢ on other side.
	460037-2	460037-2 Tabs, Price 30 Tabs Printed 20¢ on 1 25¢ on other side.
	460037-3	460037-3 Tabs, Price. 30 Tabs Printed 30¢ on 1 side side/35¢ on other side.
	460037-4	460037-4 Tabs, Price. 30 Tabs Printed 40¢ on 1 side/45¢ on other side.
	460037-4	460037-4 Tabs, Price. 30 Tabs Printed 50¢ on 1 side/55¢ on other side.
	460142	460142 Tabs, Price. Assorted 5¢ to \$1.00.
29	640089	640089 Assembly, Complete. Lock Handle.
	420071	420071 Lock, w/2 keys. Specify Number.
30	340013-2	340013-2 Trim, Inside Vertical. 72" Vendor.
32	750089	750089 Lever, Coin Return. w/screw.
	420053	420053 Screw, Coin Return Lever.
33	320010	320010 Trim, Coin Return.
34	320013	320013 Trim, Coin Entry.
	440011	440011 Extension, Plastic Coin Chute.
	276-6-4	276-6-4 Screw for Mounting above Chute. Pan hd. Self-Tap (6-32 x 1/4).
35	440004	440004 Plastic, Instruction. Vendor without Changer.
	440113	440113 Plastic, Instruction. Vendor with Changer.
	440189	440189 Glass, Instruction. 5¢, 10¢, 25¢ and \$1.00 Candy, Snack and Pastry.
36	320012	320012 Trim, Instruction Plastic.
37	600180-1	600180-1 Door Only. 72" Candy or Snack. Specify Color.
	600180-3	600180-3 Door Only. 72" Pastryshop. Specify Color.

DOOR - INSIDE FRONT

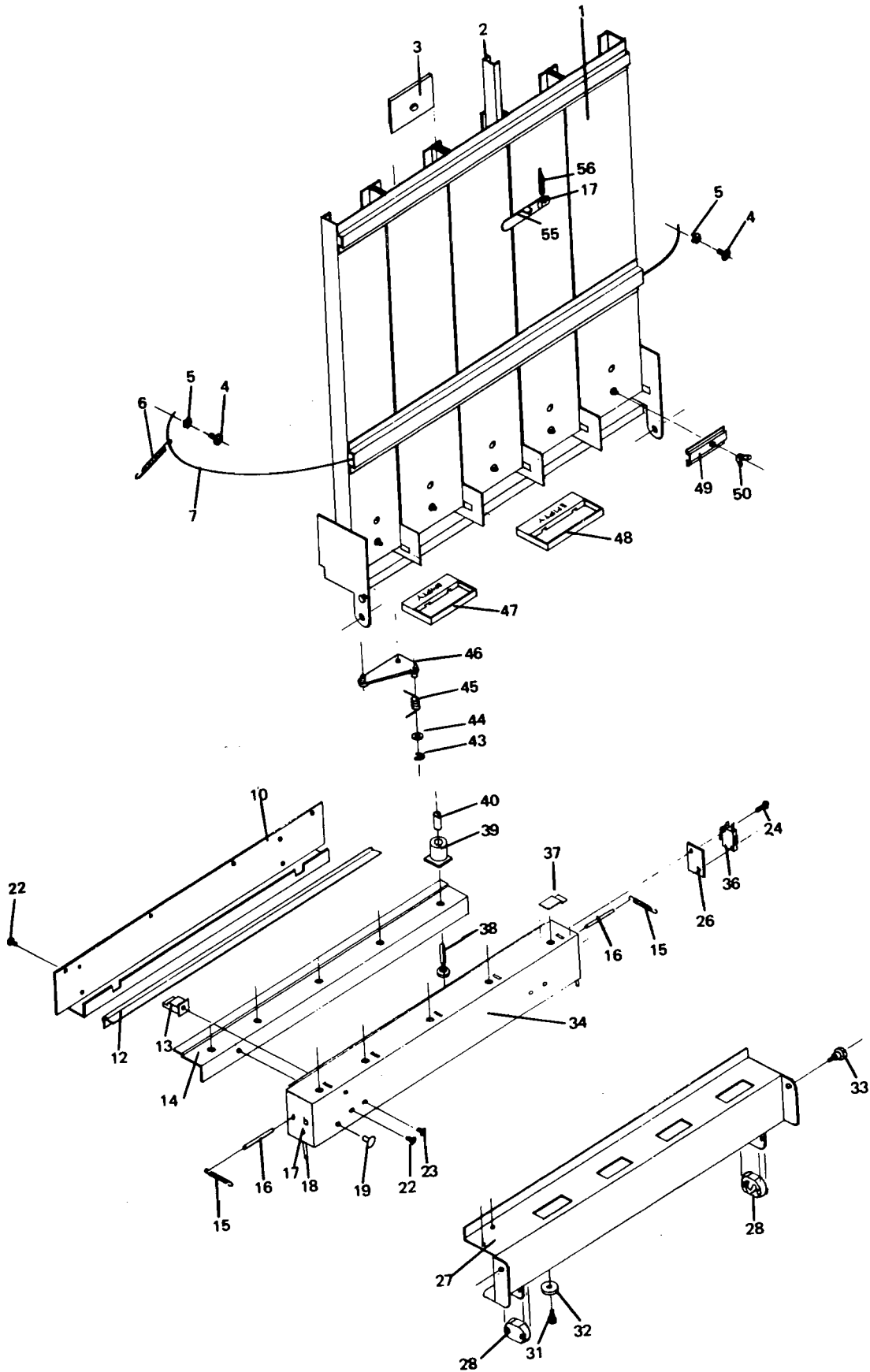


DOOR – INSIDE FRONT

Item No.	Part No.	Description
1		Assembly, Gum-and-Mint Stack. Complete. For 72" Vendor. See Page #14 For Itemized Individual Parts
2	460041-1	Insulation, Foam. Not Shown In Drawing (1/4" x 1/4")
3	200059-1	Clamp, Illuminated Panel. Upper
4	380047	Socket Only. Fluorescent Lamp
5	380022	Lamp, Fluorescent. F18-T8
6	200059 200441	Clamp, Illuminated Panel. Lower Clamp, Illuminated Panel. For Furniture Style.
7	400057	Retainer, Cash Box.
9	750015-2 200255	Lamp, Neon. "Use Correct Change" Bracket, Neon Lamp Mounting.
10	276-10-6	Screw, Pan Hd. Self Tap. (10-32 x 3/8")
11	420011	Palnut.
12	660019	Assembly, Coin Chute. See Page #18 For Itemized Individual Parts
13	660071	Assembly, Complete. Rejector Bracket, Lock-Out Relay and Switch Block. See Page #18 For Itemized Individual Parts
14	201-6R6	Screw, Trim. Rd. Hd. Phillips. (#6 x 3/8")
15	640089	Assembly, Complete. Lock Handle.
17	360021	Motor, Gum-and-Mint Drive.
18	640069 140-41A8	Cam, Gum-and-Mint Motor. Screw Motor Cam Set. 1/8" Socket. (1/4" - 28 x 1/2")
19	751-31	Ring, Retaining (#31)
20	640020	Rod, Gum-and-Mint Carriage Connecting.
21	100-4-16	Screw, Rd. Hd. Mach. (4-40 x 1")
22	380014	Switch.
22A	440213	Spacer, Motor Hold Switch
23	100-8-22	Screw, Rd. Hd. Mach. (8-32 x 1-3/8")
24	200122	Bracket, Switch Support
25	200654 420010-7 420070 751-21	Cam, Lock Handle. Washer, Steel. Roller. Ring, Retaining #21.
26	200686	Bracket, Locking Bar Support.
27		Assembly, Coin Acceptance. See Page #18 For Part Numbers
28	600174	Assembly, Door Latch Bar. For 72" Vendor.
29	600365	Chute Extension, Coin Return.
30	600178	Bracket, Cash Box Mounting.
31	660008-3	Cup, Coin Return.
32	420014	Pushnut.
33	114-41-8	Screw, Hex Hd. Mach. (1/4" 20 x 1/2")
34	300044	Rod, Door Stabilizer (Black).
35	335-8-6	Screw, Pan. Hd. Tap Tite (8-32 x 3/8)
36	600179	Cash Box.
37	200065	Plate, Door Switch.
38	276-8-6	Screw, Pan. Hd. Self-Tap. (8-32 x 3/8")
39	700-30	Pin, Door, Stop Mounting.
40	420012	Nut, Speed
41	420003-1	Screw, Flat Hd. Mach. (1/4"-20 x 1/2")

Item No.	Part No.	Description
42	640012	Pivot, Lower Hinge.
43	400053	Stop, Door.
47	200162-1	Baffle, Delivery Tray Opening. Stainless Steel
48	200060	Clamp, Display Glass. Lower
49	660004	Assembly, Selector Panel. See Page #16 For Itemized Individual Parts.
50	380022-1	Lamp, Lower Fluorescent, F15-T8.
51	750075 200891 640103	Holder, Price Tab. Complete Holder only, Price Tab. Clamp only.
52	660183	Chute, Gum-and-Mint.
53	110-8-3	Screw, Truss Hd. (8-32 x 3/16")
54	200133	Retainer, Gum-and-Mint.
55	420023	Nut, Wing.
56	600067	Bracket, Fluorescent Lamp Mounting, Pastryshop Only.
57	750097	Lock & Cam for Cash Box. w/2 Keys. Specify Number.
58	660002	Assembly, Selector Panel. Gum-and-Mint. See Page #16 For Itemized Individual Parts.
59	200063	Clamp, Gum-and-Mint Display Glass. Upper
60	380010 380033	Plug, Amp-Loc. (6 Pin) Receptical, Amp-Loc. (6 Pin)
61	200463	Clamp, Display Glass Side.
62	660034	Assembly, Gum-and-Mint Carriage. See Page #14 For Itemized Individual Parts.
63	276-8-5	Screw, Pan. Hd. Self-Tap. (8-32 x 5/16")
64	680008	Ballast, Lower. For F15-T8 Fluorescent Lamp.
65	201-6R10	Screw, Rd. Hd. Phillips. (#6 x 5/8")
66	200048	Clamp, Side. Gum-and-Mint Display Glass
67	200150 200319	Shield, Harness. Shield, Harness. Pastryshop Only.
69	400052	Wire Bumper Pastryshop Only.
69	200061	Clamp, Gum and Mint Display. Lower
72	380058 380023-1	Socket, Starter, Lower Starter. FS-2
75	404-10	Nut. (10-24)
76	680011-1	Ballast, Upper. For F18-T8 Fluorescent Lamp
77	380023	Starter. FS-25
78	380080	Socket, Starter. Upper
79	420062	Screw, Rd. Hd. Mach. (4-36 x 7/16")
82	420008	Bumper, Rubber.
83	200064-1	Catch, Gum-and-Mint Stack.
84	660214-1 660215 680212 276-8R38	Control Box, Without Meter. Control Box with Meter. Income Register Meter. Screw, Pan Hd. Type 23 Phillips. (8 x 2-3/8")
85	460041-1	Insulation Foam. (1/4" x 1/4")
86	680243 680243-1 680242 680242-2	Meter. Resettable. Candy Product Meter, Non-resettable. Candy Product Meter, Resettable. Gum and Mint. Meter, Non-resettable. Gum and Mint.

GUM AND MINT COLUMN AND CARRIAGE ASSEMBLY

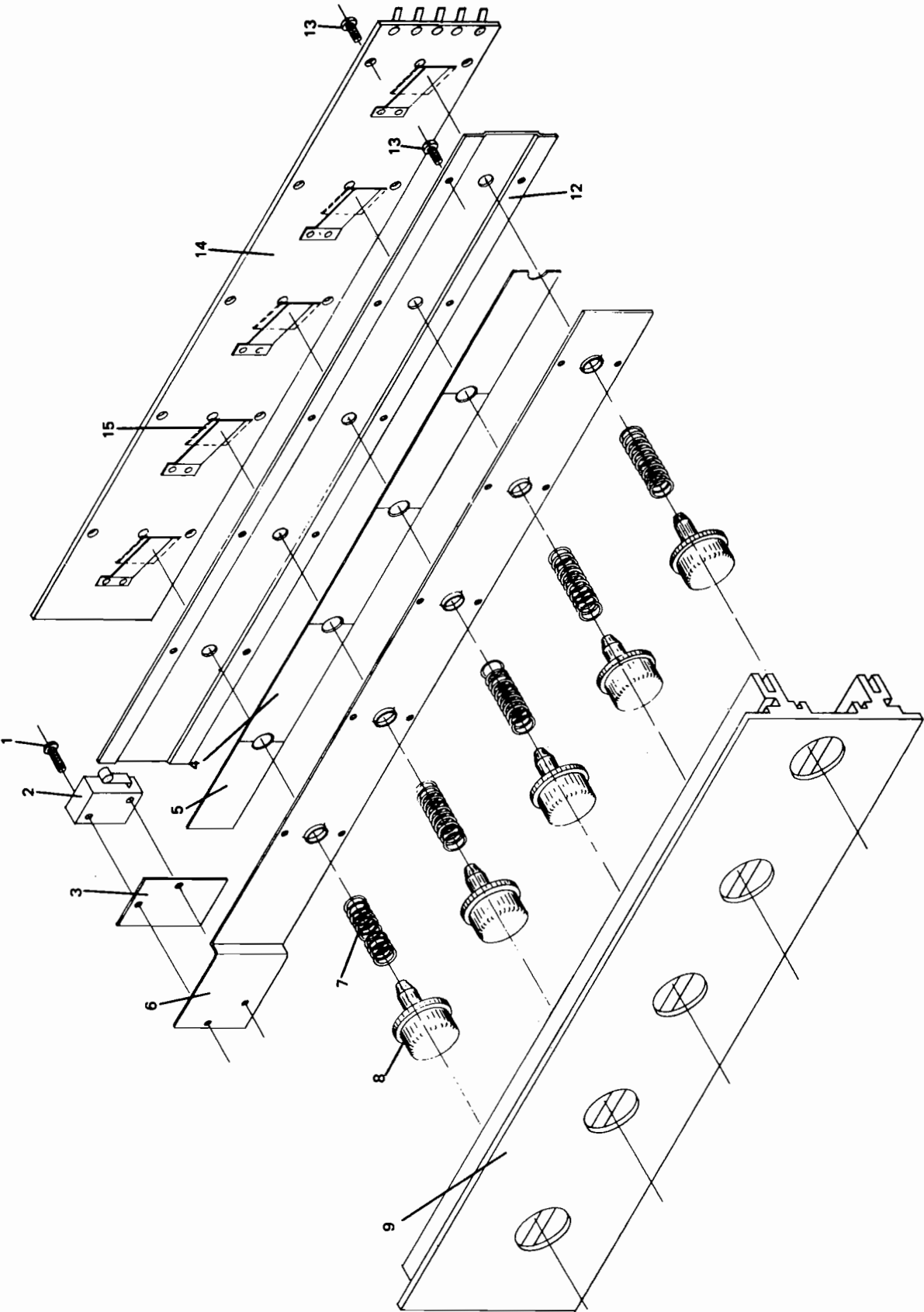


GUM AND MINT COLUMN AND CARRIAGE ASSEMBLY

Item No.	Part No.	Description
1	660061-3	Assembly, Gum-and-Mint Stack. Complete. For 72" Vendor.
2	200132-1	Spacer, Gum-and-Mint Column of 72" Vendor. (2 Required Per Column)
3	440051	Adapter, Plastic. For Thin Mints
4	276-8-6	Screw, Pan, Hd. Self-Tap. (8-32 x 3/8")
5	420024	Washer, Star.
6	400046	Spring, Support Cable.
7	400004	Cable, Support
10	200125	Side Plate, Gum-and-Mint Carriage.
12	340025	Damper, Gum-and-Mint Carriage.
13	440022	Rest Angle, Carriage Damper.
14	200142	Angle, Coil Retaining.
15	400029-1	Spring, Damper Pivot Pin.
16	300040	Pivot Pin, Carriage Damper.
17	300043	Rivet, Carriage Reset Lever.
18	300042	Lever, Carriage Reset.
19	440023	Rivet, Plastic Glide.
22	217-8-4	Screw, Pan Hd. Sheet Metal. (8-18 x 1/4")
23	216-8-10	Screw, Pan Hd. Sheet Metal. (#8 x 5/8")

Item No.	Part No.	Description
27	660035	Housing, Carriage Support.
28	680004	Assembly, Lower Lamp Harness.
	380047	Socket Only, Fluorescent Lamp.
31	300035	Rivet.
32	300049	Roller, Carriage Reset.
33	300150	Screw, Shoulder. Gum-and-Mint Column Pivot
34	600021	Housing Only. Gum-and-Mint Carriage
	660034-1	Complete Assembly. Gum-and-Mint Carriage
36	380030	Switch.
37	200126	Pusher, Gum-and-Mint.
38	660047	Plunger, Carriage Solenoid.
39	360014	Coil, Carriage Solenoid.
40	300039	Sleeve, Carriage Solenoid.
43	751-25	Ring, Retaining. (#25)
44	420010-6	Washer.
45	400015	Spring, Ejector Lever.
46	440019	Lever, Ejector.
47	440149	Ejector, Narrow Column.
48	440247	Ejector, Wide Column.
49	200990	Retainer.
50	420023	Nut, Wing.
55	200131	Latch, Gum-and-Mint Column.
56	400020	Spring, Column Latch.

SELECTOR PANELS

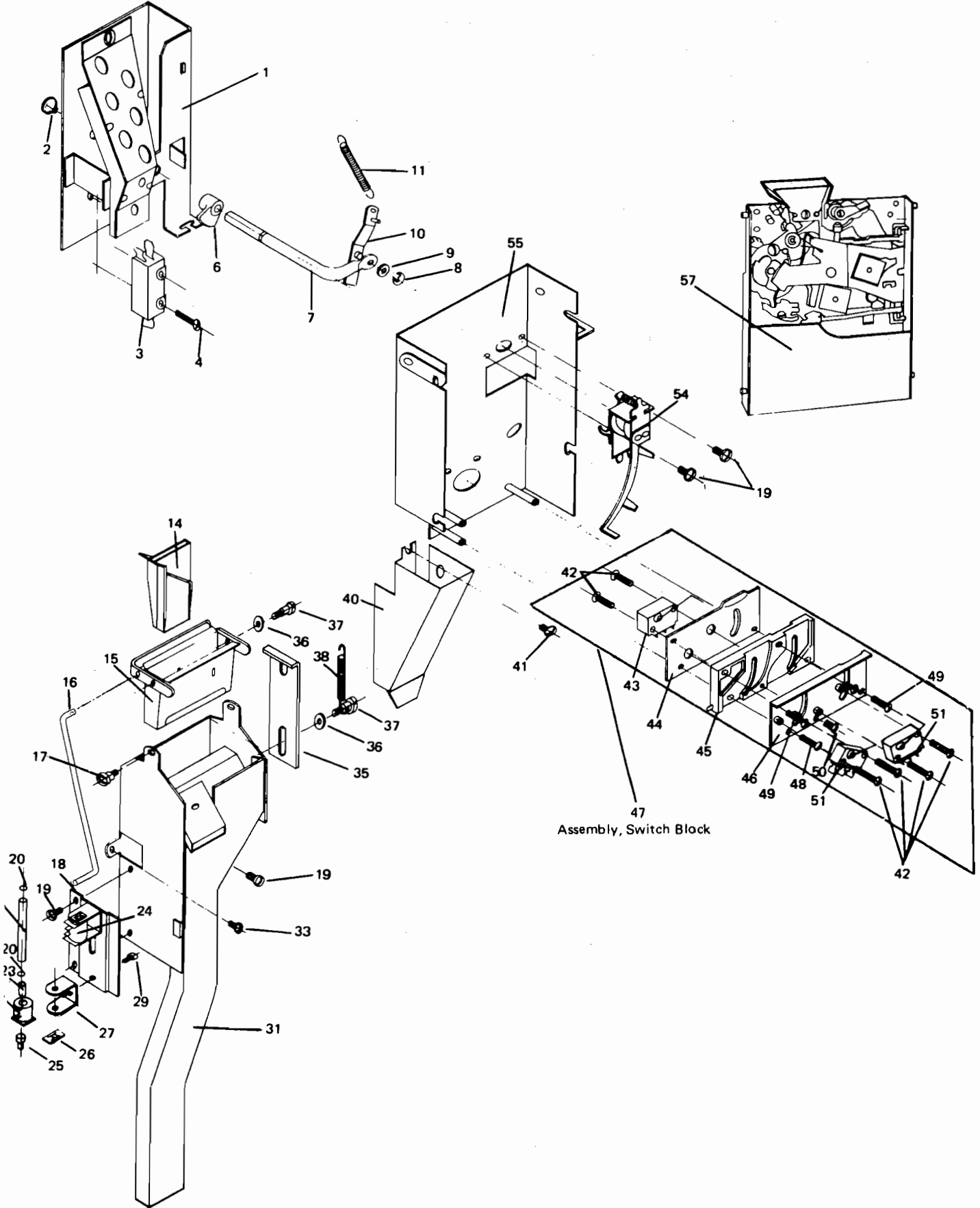


SELECTOR PANELS

Item No.	Part No.	Description
	660002	Assembly, Gum-and-Mint Selector. Complete
	660004	Assembly, Candyshop Selector. Complete
	660005	Assembly, Snackshop Selector. Complete. Specify Column Arrangement
	660007	Assembly, Pastryshop Selector. Complete
1	100-4-9	Screw, Rd. Hd. Mach. (4-40 x 9/16")
2	380014	Switch.
3	360023	Paper, Insulation.
4	200022	Slide, Brass. Short. Gum-and-Mint
	200164	Slide, Brass. Long. Gum-and-Mint
	200030	Slide, Brass. Candy, Snack & Pastry
5	200024	Slide, Brass. Switch Actuating
6	200023	Plate, Selector Panel. Gum-and-Mint

Item No.	Part No.	Description
	200031	Plate, Selector Panel. Candy, Snack and Pastry
7	400003	Spring, Compression. Selector Button
8	440001	Button, Selector.
9	340011	Extrusion, Selector Panel. Gum-and-Mint
	340010	Extrusion, Selector Panel. Candy, Snack and Pastry
12	660000	Channel, Brass Slide. Gum-and-Mint.
	660003	Channel, Brass Slide. Candy, Snack and Pastry.
13	201-6R6	Screw, Rd. Hd. Sheet Metal (#6 x 3/8")
14	640000	Board, Printed Circuit. Gum-and-Mint
	640008	Board, Printed Circuit. Candyshop or Snackshop
	640011	Board, Printed Circuit. Pastryshop
15	440065-1	Insulator, Mylar.

COIN MECHANISM



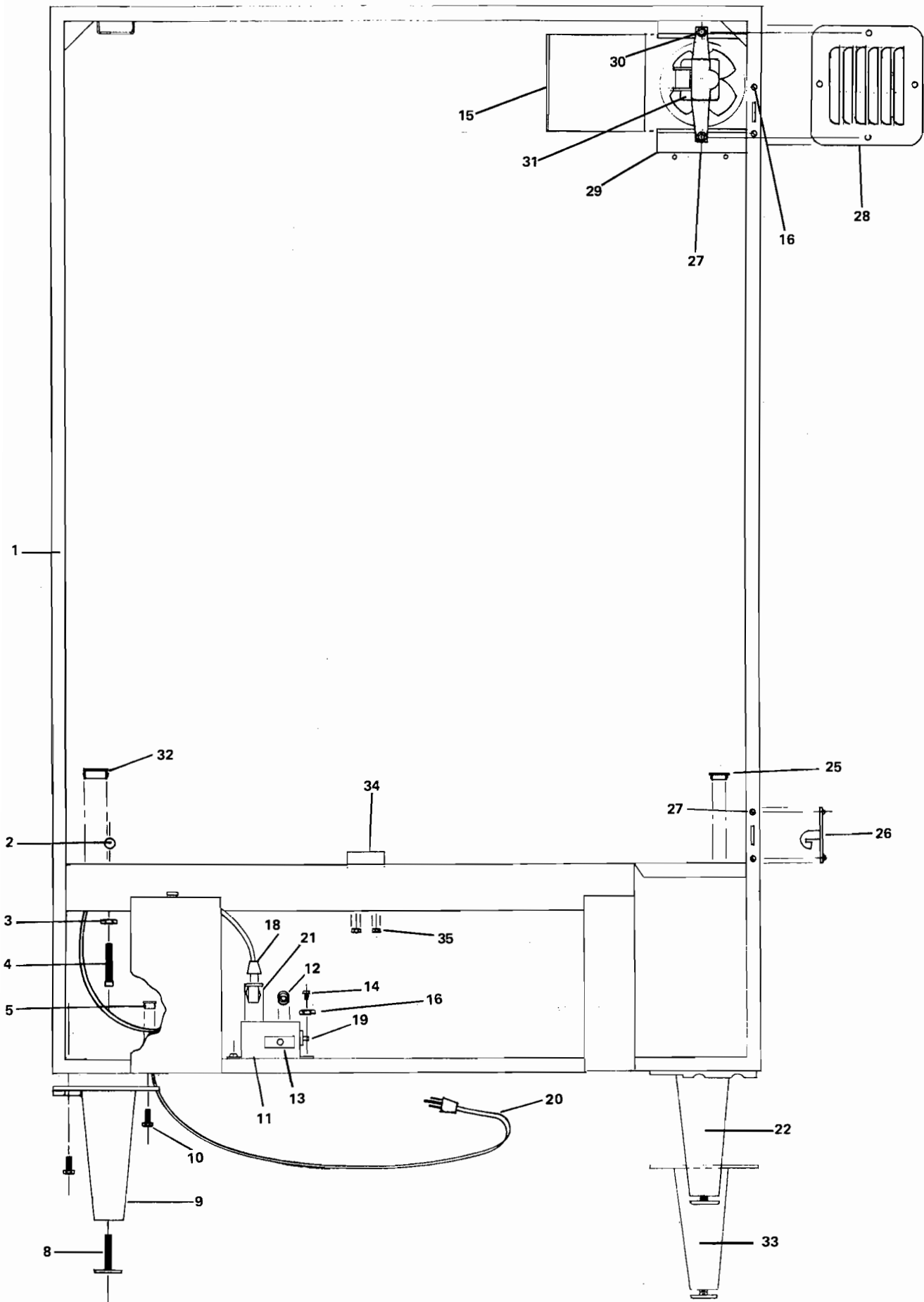
Assembly, Switch Block

COIN MECHANISM

Item No.	Part No.	Description
1	600046	Bracket Only. Upper Coin Chute.
	660019-4	Complete Assembly. Upper Coin Chute.
2	753-31	Ring. "G"
3	380180	Switch.
4	100-6-12	Screw, Rd. Hd. Mach. (6-32 x 3/4")
6	320015	Cam, Coin Return Switch Actuating.
7	300021-1	Rod, Coin Return.
8	751-18	Ring, Retaining. (#18)
9	420010-8	Washer. (#8)
10	640016	Extension, Coin Return Rod.
11	400046	Spring, Coin Return Rod.
14	750005	Insert, Nickel Coin. (2 Pcs.)
15	600012	Pocket, Escrow.
16	400078	Lever, Pocket Actuating.
17	300027	Screw, Shoulder.
18	600011	Bracket Only. Solenoid Mounting.
	660011-1	Assembly, Complete. Escrow Pocket Solenoid.
19	276-8-4	Screw, Pan Hd. Self-Tap. (8-32 x 1/4")
20	460006	Tab, Mylar. (25 To A Sheet)
21	660010	Plunger, Escrow Pocket Solenoid.
23	300025	Sleeve, Solenoid Coil.
24	360013-1	Coil.
25	660009	Stop, Solenoid Plunger.
26	420012	Nut, Speed.
27	200080	Bracket, Coil Mounting.
29	420066	Screw, BD. Hd. Mach. (4-36 x 3/16")
31	660013-4	Assembly, Complete Escrow Pocket Housing. For Vendor Without Changer
	660013-3	Assembly, Complete Escrow Pocket Housing. For Vendor With Changer
	600127	Housing Only. For Vendor Without Changer
	600127-1	Housing Only. For Vendor With Changer

Item No.	Part No.	Description
33	110-8-3	Screw, Truss Hd. Mach. (8-32 x 3/16")
35	200084	Stabilizer, Escrow Pocket.
36	600B10	Washer, Brass. (#10)
37	300026	Screw, Shoulder.
38	400007	Spring, Stabilizer.
40	200098	Chute, Rejected Coin.
41	276-8-6	Screw, Pan Hd. Self-Tap. (8-32 x 3/8")
42	100-4-11	Screw, Rd. Hd. Mach. (4-40 x 11/16")
43	380179	Switch Only.
	400023	Actuator Only. For 10¢ Coins.
44	200257	Plate Rear
45	320052	Casting
46	440167	Plate Front
47	660084-2	Assembly, Switch Block.
48	100-4-5	Screw, Rd. Hd. Mach. (4-40 x 5/16")
49	100-4-10	Screw, Rd. Hd. Mach. (4-40 x 5/8")
50	100-4-3	Screw, Rd. Hd. Mach. (4-40 x 3/16")
51	380179	Switch Only.
	400024	Actuator Only. For 5¢ and 25¢ Coins.
54	360039	Assembly, Lock-Out Relay. W/ Finger
55	640018	Bracket Only. Rejector Mounting.
	660071-2	Assembly, Complete. Rejector Bracket, Lock-Out Relay and Switch Block
57	420019-2	Rejector COINCO 790-68

CABINET

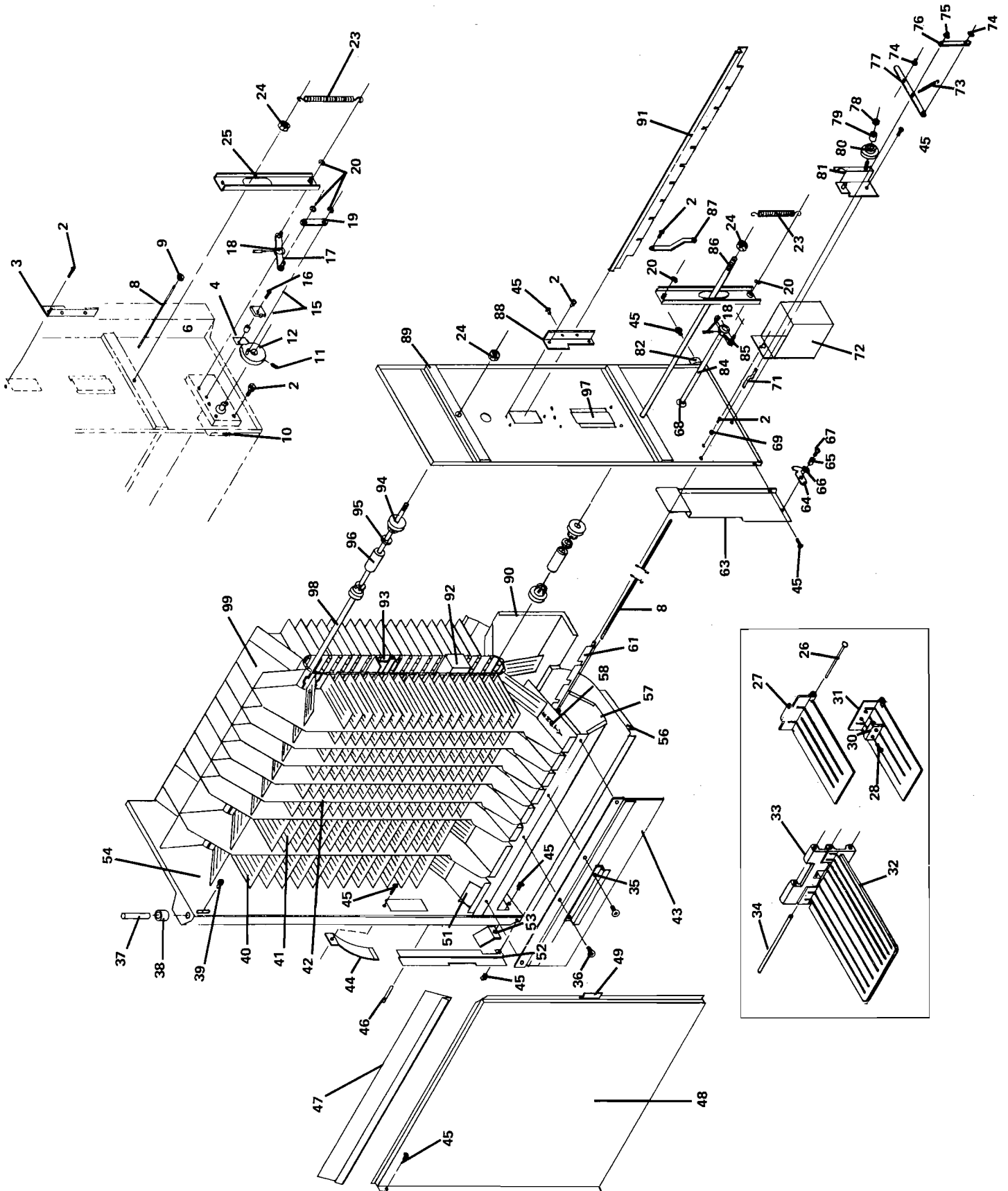


CABINET

Item No.	Part No.	Description
1	750051-1	Assembly, Cabinet W/Legs 72" Vendor. Specify Color.
2	420002-1	Ball, 1/2" Steel.
3	408-61	Nut, Jam. (3/8")
4	420036	Screw, Adjustment. (3/8" - 16 x 2")
5	420040-2	Bushing, A. C. Line. (Used Where A. C. Line Enters Cabinet)
8	300103	Leveler, Leg.
9	600196	Leg Assembly. Front Hinge Side.
10	114-51-12	Screw, Hex Hd. (5/16" - 18 x 3/4")
11	200249	Box Only. For Safety Cut-Off Switch Assembly
	660072-3	Assembly, Complete. Safety Switch, Circuit Breaker and Receptacle w/o Fan.
	660072-5	(Same as above) w/Fan.
12	380052	Bushing, Strain Relief.
13	380048	Switch, Door Interlock.
14	276-8-5	Screw, Pan Hd. Self-Tap. (8-32 x 5/16")
15	201085	Fan. Screen.
16	404-8	Nut. (#8)

Item No.	Part No.	Description
18	680110	A. C. Line. (2 Conductor - From Box to Mechanism)
19	380101	Circuit Breaker
20	360073	A. C. Line Cord. (3 Conductor)
21	380051	Receptacle, Snap In.
22	600197	Leg Assembly. Front Lock Side.
25	420040-3	Bushing Shelf (For Exhaust Fan 2 Conductor A. C. Line)
26	600300-1	Catch Door Lock Heavy Duty
27	262-8R8	Screw, Flat Phillips. Type 23 (8-32 x 1/2")
28	600065	Plate, Louver.
29	201084	Screen, Holder Slide.
30	300082	Bushing, Exhaust Fan.
31	660081	Assembly, Exhaust Fan.
	380063	Motor Only, Exhaust Fan.
	420039	Blade Only, Exhaust Fan.
32	420040-7	Bushing, Shelf. (For 2 Conductor A. C. Line)
33	600195	Leg Assembly. Rear.
34	600328	Bracket. Stop. Main Chassis.
35	404-10	Nut (No. 10)

MAIN PRODUCT MECHANISM

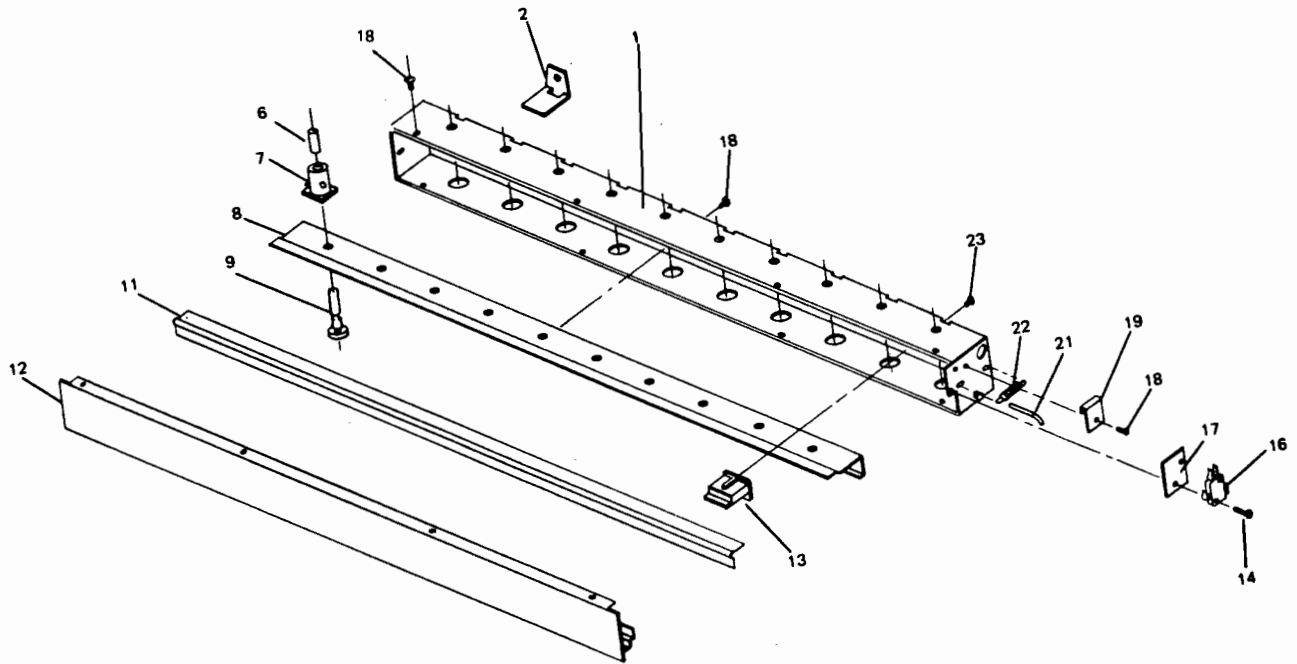


MAIN PRODUCT MECHANISM

Item No.	Part No.	Description
2	276-10R8	Screw, Pan, Hd. Self-Tap. (10-32 x 1/2")
3	200232	Bracket, Index-Brake Assembly Mounting. (Left)
6	420040-6	Bushing, 1/2" Plastic.
7	420040-4	Bushing, 1-1/2" Plastic.
8	300075-1	Hinge Pin, Display Paddle.
9	420045	Grommet, Rubber.
10	360032	Motor, Vend. Candyshop Only
	360033	Motor, Vend. Snackshop and/or Pastryshop Only.
11	140-41A8	Screw, Motor Cam Set. 1/8" Socket Hd. (1/4"-28 x 1/2")
12	640070	Cam, Motor Drive. Candyshop Only.
	640070-1	Cam, Motor Drive, Snackshop and/or Pastryshop Only.
15	380014	Switch. Candyshop Only.
	380031	Switch, Snackshop and/or Pastryshop Only.
	440213	Spacer, Motor Hold Switch.
16	100-4-16	Screw, Rd. Hd. Mach. (4-40 x 1")
17	640035	Arm, Rocker, Candyshop Only. (Left)
6	640035-2	Arm, Rocker. Snackshop and/or Pastryshop Only. (Left)
18	801C187-22	Pin, Roll. (3/16" x 1-3/8").
19	200229	Link, Motor Cam. Candyshop Only.
	200230	Link, Motor Cam. Snackshop and/or Pastryshop Only.
20	751-37	Ring, Retaining. (#37)
23	400017	Spring, Counterbalance.
24	409-58	Nut, Jam.
25	640033	Channel Drive Arm. Candyshop Only.
	640034	Channel Drive Arm. Snackshop and/or Pastryshop Only.
26	420030	Rivet, Connecting Candy Paddle.
27	440036	Paddle, Plastic. Candy w/Rivets.
28	110-8-3	Screw, Truss Hd. Mach. (8-32 x 3/16").
30	440040	Knuckle, Splicing. Candy Paddle Chain Only.
	440039	Knuckle, Splicing. Pastry Paddle Chain Only.
31	640025	Paddle, Splicing. W/Studs. Candy Paddle Chain Only.
	640026	Paddle, Splicing. W/Studs. Pastry Paddle Chain Only.
32	440037	Paddle, Plastic, Pastry. (Used 1-7/16" and 2" Chain Assemblies).
33	440038	Link, Extension. (Used in 2" Chain Assembly Only).
34	420031	Pin, Connecting. (Used in Pastry Chain Only.)
35	201167	Sanitation Door Bracket.
36	276-8R6	Screw Pan Hd. Self Tap (8-32 x 3/8)
37	300055	Pin, Upper Pivot.
38	300076	Bushing, Upper Pivot Pin.
39	114-41-8	Screw, Hex Hd. Cap (1/4"-20x1/2").
40	640029-1	Chain, 2" Paddle. Complete for 72" Vendor.
41	640028-1	Chain, 1-7/16" Paddle. Complete for 72" vendor.
42	640027-1	Chain, Candy Paddle. Complete for 72" vendor.
43	660083	Door, Sanitation.
	400028	Spring, Sanitation Door.
44	200220	Deflector, Gum-and-Mint. Upper Screw,
45	276-8-5	Screw, Pan Hd. Self-Tap. (8-32 x 5/16")
46	300069	Pin, Pivot. Display Paddle Damper.
47	200253	Mirror, Compartment Door.
48	600043-2	Door, Compartment. 72" Candyshop. W/Latch.
	600043-3	Door, Compartment. 72" Snackshop and/or Pastryshop W/Latch.

Item No.	Part No.	Description
49	750094	Latch, Compartment Door. W/Rivet.
51	400025	Wire Form, Pastry Display Paddle.
52	200859	Shield, Side. (Left).
53	200219	Deflector, Gum-and-Mint. (Lower).
54	600235-1	Plate, Side. 72" Vendor. (Left).
56	750057	Chute, Delivery. Candyshop Only.
	750058	Chute, Delivery. Snackshop and/or Pastryshop Only.
57	600044	Tube, Support. Candyshop Only.
	600044-1	Tube, Support. Pastryshop Only.
	640046	Tube, Support, Snackshop Only. (Specify Number of Pastry Columns).
58	440067-1	Paddle, Candy Display. Brown.
	440066-1	Paddle, Pastry Display. Brown.
61	340026-1	Damper, Display Paddle Locking.
63	200046	Shield, Side. (Right)
64	200326-1	Latch, Chassis.
65	300056	Bushing, Chassis Latch.
66	600B10	Washer, Brass.
67	276-8-8	Screw, Pan Hd. Self-Tap. (8-32 x 1/2").
68	300097	Bushing, Shaft.
69	300070	Spacer, Nickel Cash Box Mounting.
71	300071-1	Crank, Pivot. Display Paddle Damper.
72	600061	Cash Box, Nickel Overflow.
73	400018	Spring, Display Paddle Damper Lever.
74	751-31	Ring, Retaining. (#31)
75	420027	Nut, Acorn.
76	200217	Link, Display Locking Damper.
77	640037	Lever, Display Locking Damper.
78	438-41	Nut, Locking. (1/4"-20).
79	300054	Bushing, Chassis Roller Wheel.
80	420032	Wheel, Chassis.
81	600034	Bracket, Chassis Wheel Mounting. Candyshop Only.
	600034-1	Bracket, Chassis Wheel Mounting. B Snackshop and/or Pastryshop Only.
82	420029	Bumper, Rubber.
83	420010-3	Washer.
84	300065	Shaft, Main Drive.
	640036	Assembly, Complete. Main Drive Shaft. W/Rocker Arms. Snackshop or Pastryshop Only.
85	640035-1	Arm, Rocker. Candyshop Only. (Right)
	640035-3	Arm, Rocker. Snackshop and/or Pastryshop Only. (Right)
86	300052	Shaft, Lower Roller.
87	640031	Arm, Carriage Damper Reset. Candyshop Only.
	640032	Arm, Carriage Damper Reset. Snackshop and/or Pastryshop Only.
88	200231	Bracket, Index-brake Assembly Mounting. (Right)
89	600033-1	Plate, Side. For 72" Vendor. (Right)
90	200184	Bracket, Rear Support.
91	200400	Spacer, Partition.
92		Assembly, Carriage. See Page #24.
93		Assembly, Index-Brake. See Page #26.
94	440032	Roller, Candy Paddle Chain. Lower Shaft of 72" Vendor. (Blue).
	440033	Roller, Candy Paddle Chain. Upper Shaft of 72" Vendor. (Red)
	440035	Roller, Pastry Paddle Chain. Upper or Lower Shaft of 72" Vendor. (Black)
95	420028	Washer, Spacer. Used in Conjunction with Pastry Rollers Only.
96	440135	Bushing, Roller.
97	750095	Bronze Carriage Guide w/Rivets.
98	300053	Shaft, Upper Roller.
99	640030-1	Partition. Column. (72" Vendor)

MAIN PRODUCT CARRIAGE

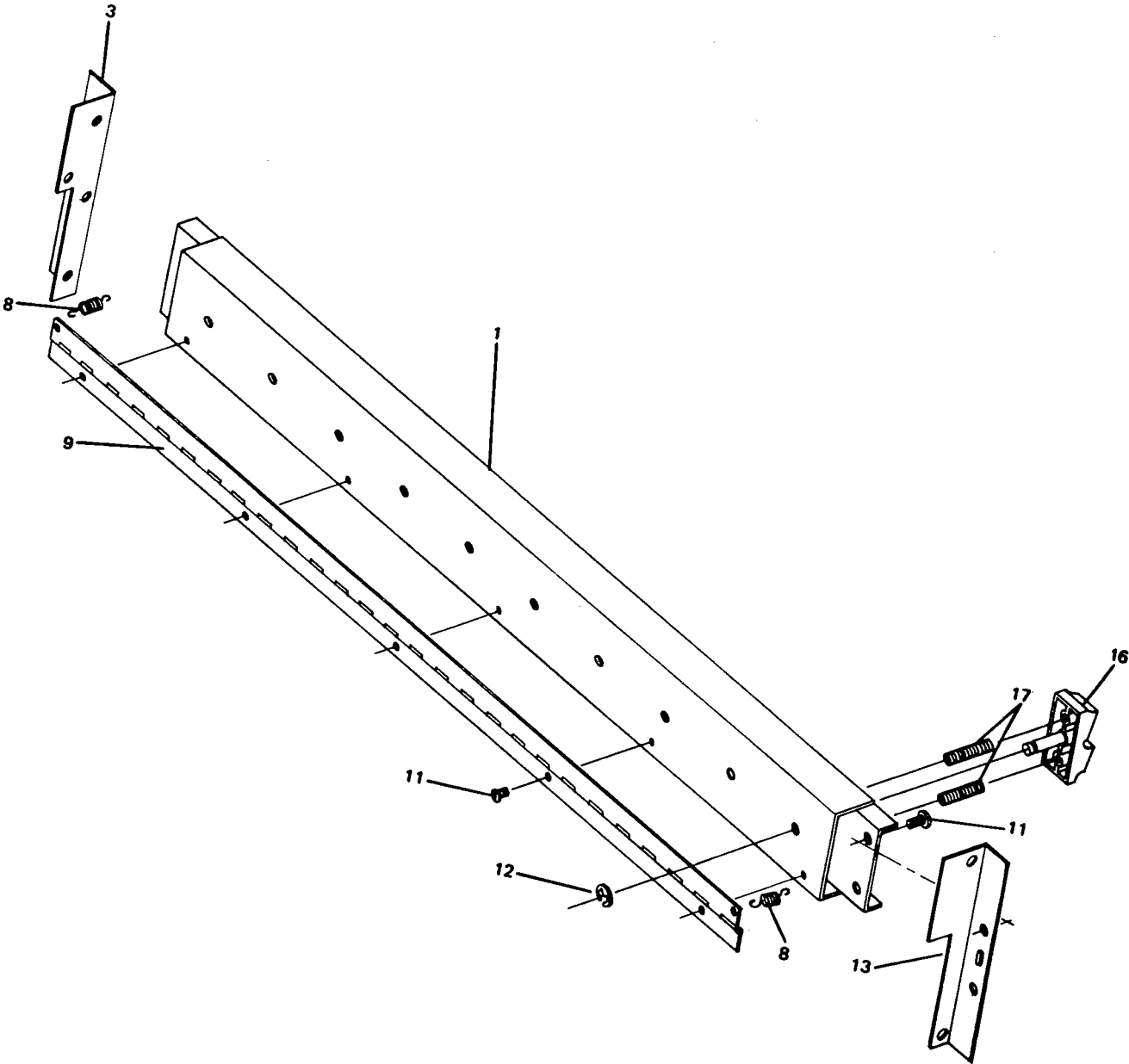


MAIN PRODUCT CARRIAGE

Item No.	Part No.	Description
1	640043	Housing Only, Carriage. For Candy, Snack or Pastry
	660064-2	Assembly, Complete Carriage. For Candyshop or Snackshop
	660064-3	Assembly, Complete Carriage. For Pastryshop
2	200227	Pusher, Candy Paddle Chain. Candyshop Only
	640042	Pusher, Candy Paddle Chain. Snackshop Only
	640040	Pusher, 2" Pastry Paddle Chain.
	640041	Pusher, 1-7/16" Pastry Paddle Chain.
6	300039	Sleeve, Carriage Solenoid.
7	360014	Coil, Carriage Solenoid.
8	200222	Angle, Coil Retaining.

Item No.	Part No.	Description
9	660047	Plunger, Carriage Solenoid.
11	340025-1	Damper, Carriage.
12	200223	Plate, Side.
13	440022	Rest Angle, Carriage Damper.
14	256-4R9	Screw, Pan Hd Self Tap (4-40 x 9/16")
16	380030	Switch.
17	360023	Paper, Insulation.
18	217-8-4	Screw, Pan Hd. Self-Tap. (8-18 x 1/4")
19	200221	Clamp, Carriage Harness.
21	300074-1	Pivot Pin, Carriage Damper.
22	400029	Spring, Carriage Damper Pivot Pin.
23	216-8-10	Screw, Pan Hd. Sheet Metal. (#8 x 5/8")

INDEX - BRAKE ASSEMBLY

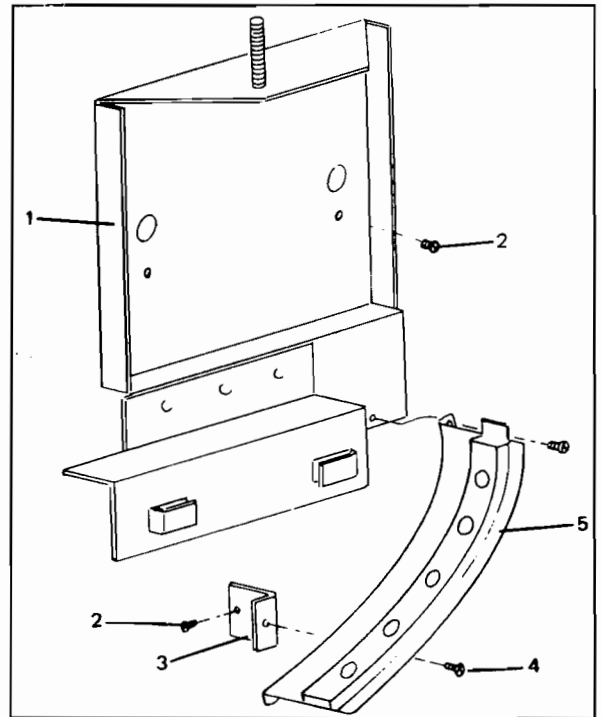
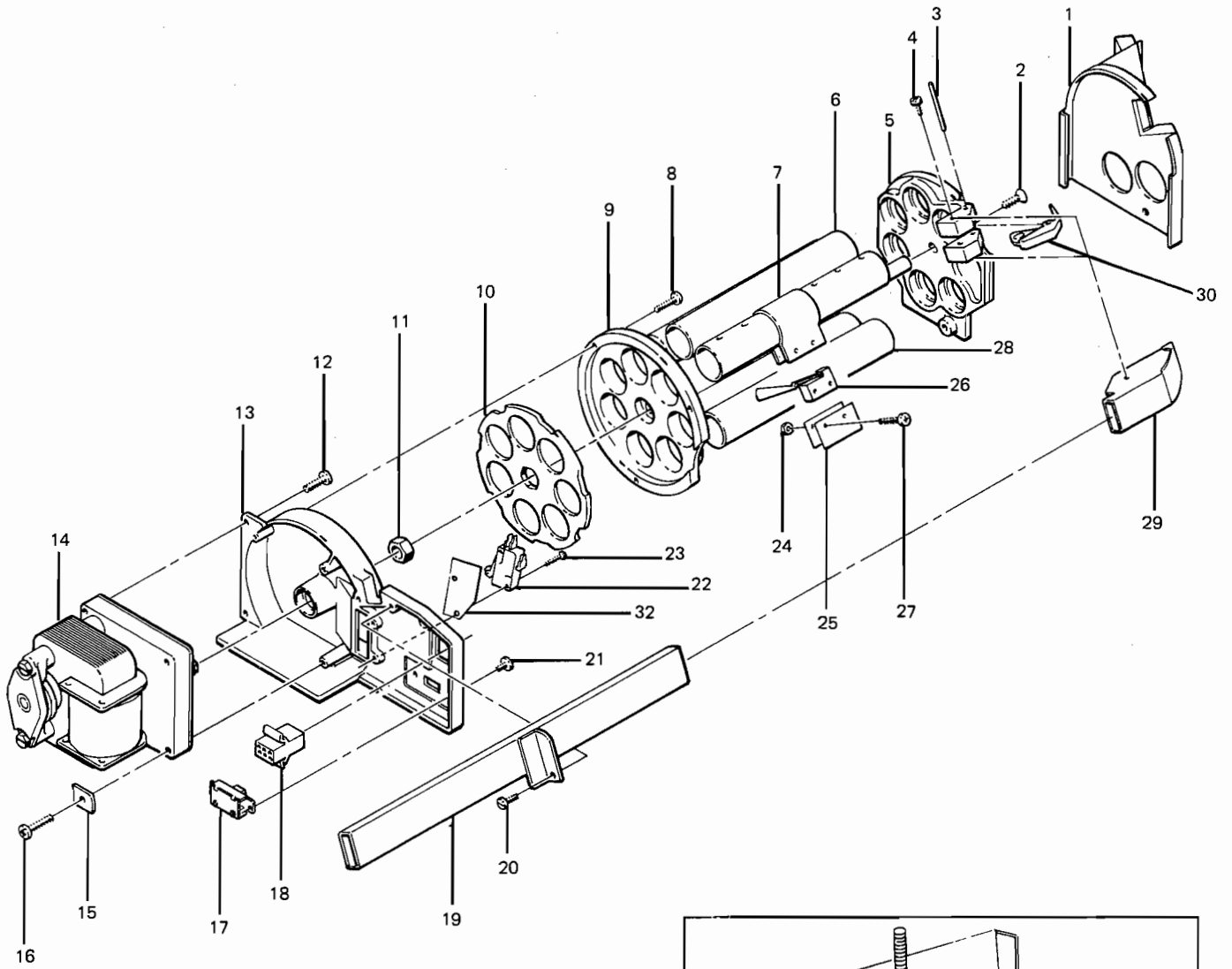


INDEX – BRAKE ASSEMBLY

Item No.	Part No.	Description
1	660060	Assembly, Complete, Index-Brake. Specify Column Arrangement
	600045	Housing Only, Index-Brake Assembly.
3	200232	Angle, Index-Brake Mounting. (Left)
8	400021	Spring, Hinge.
9	460027-1	Hinge, Switch Actuating.
11	276-8-5	Screw, Pan Hd. Self-Tap. (8-32 x 5/16")
12	751-31	Ring, Retaining. (#31)
13	200231	Angle, Index-Brake Mounting. (Right)

Item No.	Part No.	Description
16	440044	Plug, Index-Brake. Candy Chain Only. (White)
	440045	Plug, Index-Brake. 1-7/16" Pastry Chain Only. (Black)
	440046	Plug, Index-Brake. 2" Pastry Chain Only. (Red)
17	400019	Spring, Index-Brake Plug Compression. Candy Chain Only
	400027	Spring, Index-Brake Plug Compression. Pastry Chain Only

CHANGER



CHANGER

Item No.	Part No.	Description
	660212	Assembly, Complete.
1	600059	Cover, Tube.
2	420003	Screw, Flat Hd. (1/4 - 20x 3/4")
3	300000	Pin, Brass.
4	100-6R3	Screw, Rd. Hd. Mach. (6-32 x 3/16")
5	320004	Casting, Coin Tube Mounting, Upper.
6	200000-2	Tube, 5¢ Coin. Standard Tube.
7	200015	Bracket, Tube Switch Mounting.
8	100-6-10	Screw, Rd. Hd. Mach. (6-32 x 5/8")
9	320001	Casting, Coin Tube Mounting, Lower.
10	201018	Gear, Coin Dispensing.
11	300005-1	Bushing, Motor Shaft.
12	107-10R10	Screw, Fillister Hd. (10-32 x 5/8")
13	320053	Casting Motor Mounting.
14	360008	Motor.
15	200006	Clamp.
16	116-8R12	Screw, Pan Hd. Mach. Phillips (8 -32 x 3/4.)

Item No.	Part No.	Description
17	380181	Switch.
18	380037	Receptacle, 6 Pin Molex.
19	200018	Chute, Nickel Overflow. Inner.
	600001	Chute, Nickel Overflow. Outer.
20	276-8-4	Screw, Pan Hd. Self-Tap. (8-32 x 1/4").
21	276-8R4	Screw, Pan Hd. Self-Tap. (8-32 x 1/4").
22	380178	Switch - Impulse.
23	100-4-9	Screw, Rd. Hd. Mach. (4-40 x 9/16").
24	404-2	Nut. (2-56).
25	360005	Paper, Insulation.
26	360007	Switch. W/Actuator.
27	100-2-8	Screw, Rd. Hd. Mach. (2 - 56 x 1/2").
28	200000-3	Tube, 5¢ For Mounting Switch.
29	600002	Cover, Coin Diverter.
30	440144	Diverter, Coin.
32	360023	Insulation Paper
	420023	Wingnut, Not Shown.

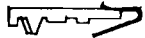
CHANGER - MOUNTING BRACKET

Item No.	Part No.	Description
1	600069	Bracket, Changer Mounting.
2	276-8-5	Screw, Pan Hd. Self Tap. (8-32 x 5/16")
3	200216	Bracket, Change Return Chute.
4	276-8-6	Screw, Pan Hd. Self Tap. (8-32 x 3/8")
5	600063	Chute, Change Return.

ELECTRICAL HARNESSES AND CONNECTORS

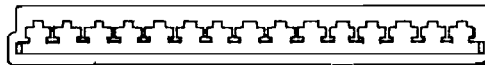
Part No.	Description
360073	Cord, A.C. Line. 3 Conductor. W/Quick Disconnect.
380032	Cord, A.C. Line. 2 Conductor. W/Quick Disconnect.
680224	Light Cord Harness.
680246	Upper Fluorescent Lamp. W/Starter and Lamp Sockets. Assy. Complete.
680248	Lower Fluorescent Lamp, W/Starter and Lamp Sockets. Assy. Complete.
680220	Safety Cut-off Box and Circuit Breaker.
680207-1	Selector Panel to Carriage Disconnect Plug. Candyshop and/Snackshop Only.
680208-1	Selector Panel to Carriage Disconnect Plug. Pastryshop Only.

Part No.	Description
680205-1	Carriage, Candyshop and/or Snackshop Only.
680206-1	Carriage. Pastryshop Shop Only.
680203	Rejector Bracket Harness.
680204-1	Gum-and-Mint Carriage Harness.
680215-1	Door Hook-Up. Candyshop and/or Snackshop.
680216-1	Door Hook-Up. Pastryshop.
680214-1	Main Base Harness.
680209	Changer Harness.
680212	Counter Assy.



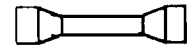
TERMINAL

MOLEX PC EDGE
380186

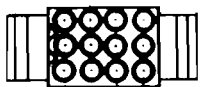


MOLEX EDGE CONNECTOR

15-PIN 380182
20-PIN 380182-1



BUTT CONNECTOR
380021



MOLEX RECEPTACLE

1-PIN 380064
3-PIN 380035
4-PIN 380077
6-PIN 380037
9-PIN 380039
12-PIN 380041
15-PIN 380043



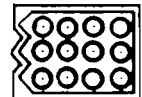
CABLE TIE
460044



MOUNTING TYPE
CABLE TIE
380078



ADHESIVE BACKED
CABLE GUIDE
420097



MOLEX PLUG

1-PIN 380065
3-PIN 380034
4-PIN 380076
6-PIN 380036
9-PIN 380038
12-PIN 380040
15-PIN 380042



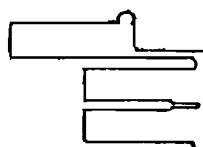
TERMINAL
MOLEX
RECEPTACLE
380004



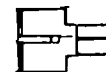
TERMINAL
MOLEX PLUG
380005



TERMINAL
QUICK DISCONNECT
3/16" 380001
7/64" 380002
1/4" 380003



QUICK DISCONNECT
FOR SWITCHES
380075

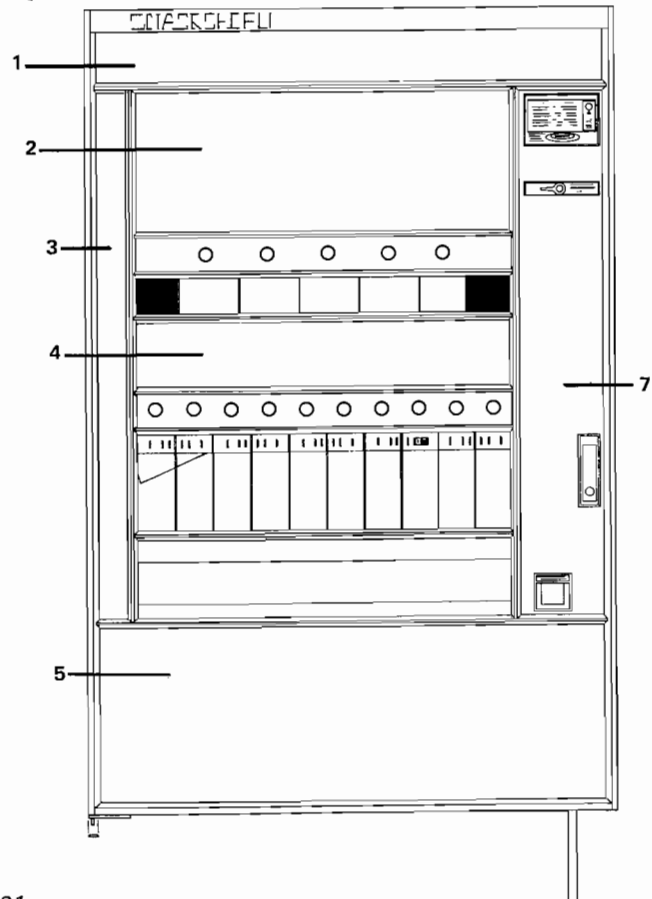


TERMINAL ADAPTER
QUICK DISCONNECT
3/16" 380066

DOOR – A.P. STYLE – PANELS

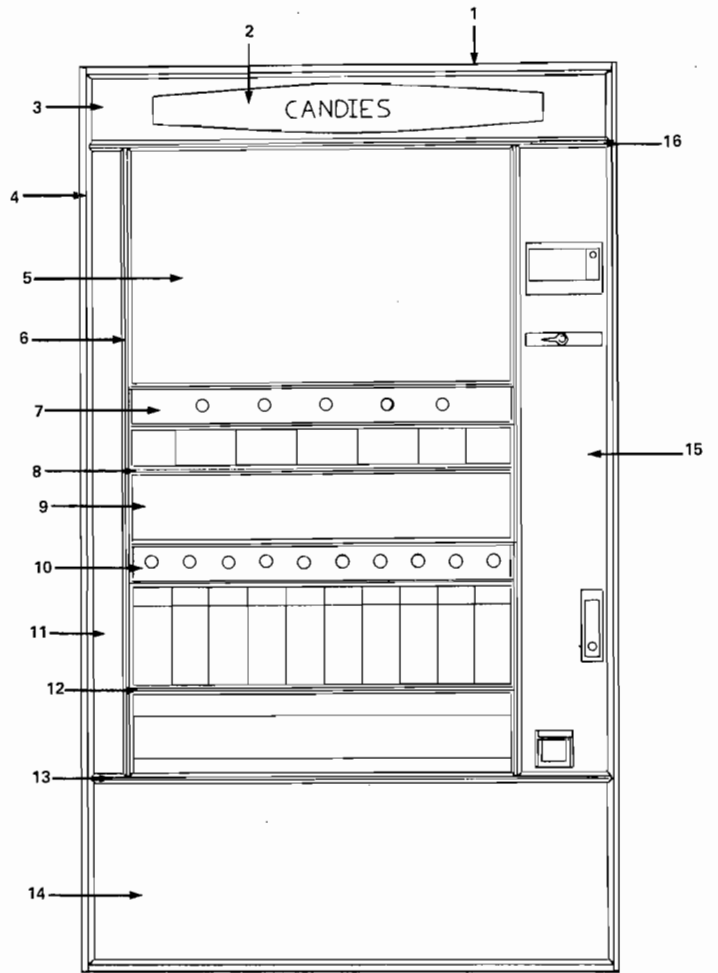
Item No.	Part No.	Description	
1	200070-1	Panel, Decorative, Black.	
	200070-3	Plate, Cover Up. Painted. Specify Color.	
	200070-4	Plate, Cover Up. Presidential Walnut.	
	200070-5	Plate, Cover Up. Honeytone Teak.	
	200070-6	Plate, Cover Up. Spanish Oak.	
	200070-7	Plate, Cover Up. Regency Walnut.	
	200070-8	Plate, cover Up. Imperial Rosewood.	
	200070-14	Plate, Cover Up. Kashmire Walnut.	
	200161-2	Plate, Cover Up. Hobnail Gold.	
	440006	Panel, Illuminated. Blank. No Lettering.	
	440006-2	Panel, Illuminated. Candyshop.	
440006-3	Panel, Illuminated. Pastryshop.		
440006-4	Panel, Illuminated. Snackshop.		
440006-5	Panel, Illuminated. Cigarshop.		
2	200242-1	Panel, Vinyl. Top Inner. 72" Vendor. Presidential Walnut.	
	200242-2	Panel, Vinyl. Top Inner. 72" Vendor. Regency Walnut.	
	200242-3	Panel, Vinyl. Top Inner. 72" Vendor. Imperial Rosewood.	
	200242-4	Panel, Vinyl. Top Inner. 72" Vendor. Teak.	
	200242-5	Panel, Vinyl. Top Inner. 72" Vendor. Spanish Oak.	
	200242-6	Panel, Top Inner. 72" Vendor. Painted. Specify Color.	
3	200295	Panel Vinyl, Left Side Vertical 72" Vendor Imperial Rosewood.	
	200295-3	Panel, Vinyl. Left Side Vertical. 72" Vendor. Presidential Walnut.	
	200295-5	Panel, Vinyl. Left Side Vertical. 72" Vendor. Teak.	
	200295-7	Panel, Vinyl. Left Side Vertical. 72" Vendor. Spanish Oak.	
	200295-9	Panel, Vinyl. Left Side Vertical. 72" Vendor. Regency Walnut.	
	200295-18	Panel, Left Side Vertical. 72" Vendor. Painted. Specify Color.	
	4	200297	Panel, Vinyl Inner Imperial Rosewood. For Pastryshop or Snackshop.
		200297-1	Panel, Vinyl. Inner. Imperial Rosewood. For Pastryshop.
		200297-2	Panel, Inner. Painted. Specify Color. For Candyshop or Snackshop.
200297-3		Panel, Inner. Painted. Specify Color. For Pastryshop.	
200297-4		Panel, Vinyl. Inner, Presidential Walnut. For Candyshop or Snackshop.	
200297-6		Panel, Vinyl. Inner. Teak. For Candyshop or Snackshop.	
200297-7		Panel, Vinyl. Inner. Teak. For Pastryshop.	
200297-8		Panel, Vinyl. Inner. Spanish Oak. For Candyshop or Snackshop.	
200297-9		Panel, Vinyl. Inner. Spanish Oak. For Pastryshop.	

Item No.	Part No.	Description
	200297-10	Panel, Vinyl. Inner. Regency Walnut. For Candyshop or Snackshop.
	200297-11	Panel, Vinyl, Inner. Regency Walnut. For Pastryshop.
5	200296	Panel, Vinyl. Lower Horizontal. Imperial Rosewood.
	200296-1	Panel, Vinyl. Lower Horizontal. Presidential Walnut.
	200296-5	Panel, Vinyl. Lower Horizontal. Spanish Oak.
	200296-6	Panel, Vinyl. Lower Horizontal. Teak.
	200296-7	Panel, Vinyl. Lower Horizontal. Regency Walnut.
	200296-8	Panel, Lower Horizontal. Painted. Specify Color.
7	200683-1	Panel, Right Side Vertical. 72" Vendor. Painted. Specify Color.
	200683-3	Panel, Vinyl. Right Side Vertical. 72" Vendor. Presidential Walnut.
	200683-5	Panel, Vinyl. Right Side Vertical. 72" Vendor. Teak.
	200683-7	Panel, Vinyl. Right Side Vertical. 72" Vendor. Spanish Oak.
	200683-9	Panel, Vinyl. Right Side Vertical. 72" Vendor. Regency Walnut.
	200683-11	Panel, Vinyl. Right Side Vertical. 72" Vendor. Imperial Rosewood.



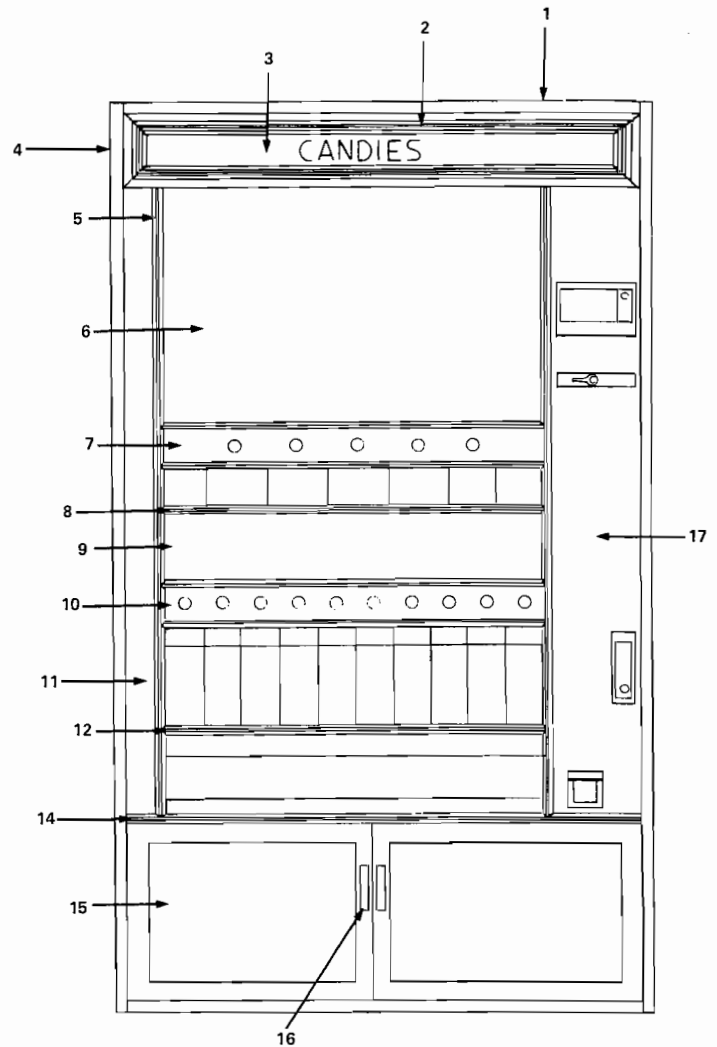
CROWN STYLING

Item No.	Part No.	Description
1	340056-2	Trim, Outside Horizontal. Top or Bottom.
2	440028	Panel, Illuminated. National Style. "Candies".
	440028-2	Panel, Illuminated. National Style. "Pastries".
	440028-3	Panel, Illuminated. National Style. "Snacks".
3	200161	Panel, Decorative. Hobnail Gold.
4	340056-2	Trim, Outside Vertical. 72" Vendor. Left or Right.
5	440102	Picture, Color Display. Use w/Crown Line.
6	340013-2	Trim, Inside Vertical. 72" Vendor. Left or Right.
7		Same as Page 10. Item #11.
8	340016	Trim, Display Glass.
	340013-4	Trim, Inside Horizontal. Pastryshop Only.
9	200297-4	Panel, Vinyl. Inner. Presidential Walnut. Candy or Snack.
	200297-5	Panel, Vinyl. Inner. Presidential Walnut. Pastryshop.
10		Same as Page 10, Item #15.
11	200295-3	Panel, Vinyl. Left Side Vertical. 72" Vendor.
12		Same as Item #8.
13	340013-1	Trim, Inside Horizontal. Delivery Tray Bottom.
14	200296-1	Panel, Vinyl. Lower Horizontal. Presidential Walnut.
15	200683-3	Panel, Vinyl. Right Side Vertical. 72" Vendor. Presidential Walnut.
16		Same as Item #13.



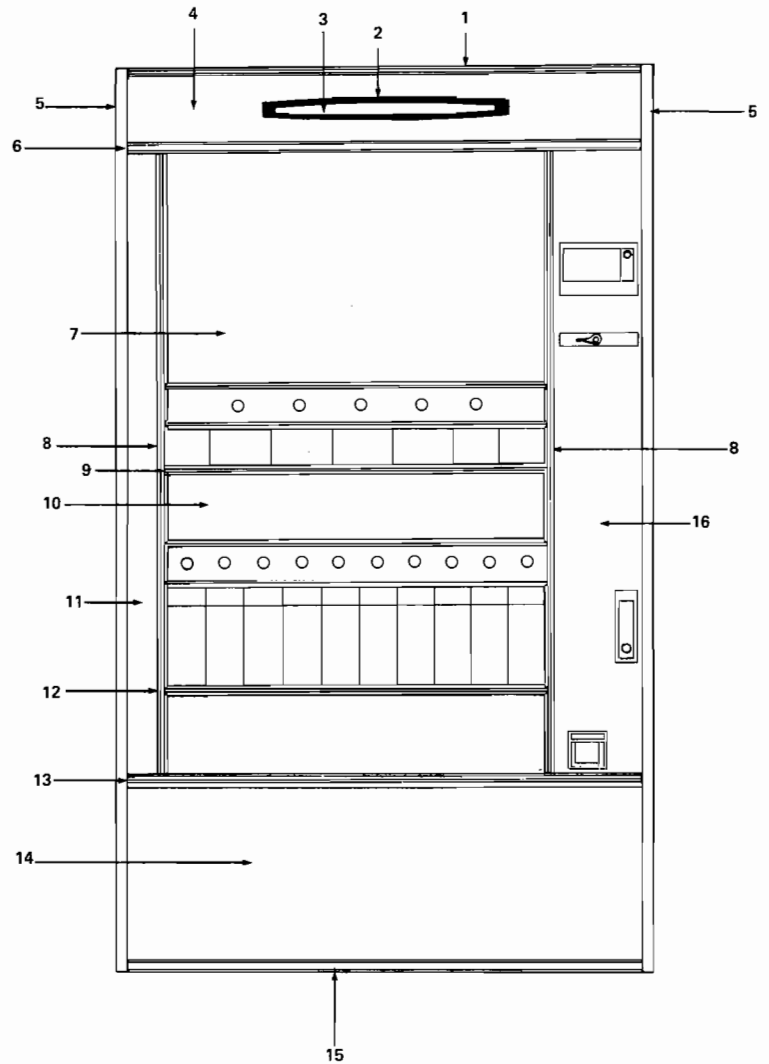
FURNITURE I

Item No.	Part No.	Description
1	340055-1	Trim, Top. Bronze Anodized.
2	440069	Plastic Frame. Use w/Furniture Style.
3	440075	Panel, Illuminated. Furniture Style. Candy.
	440075-2	Panel, Illuminated. Furniture Style. Pastry.
	440075-3	Panel, Illuminated. Furniture Style. Snack.
4	340055-11	Trim, Bronze, Anodized 72" Vendor. Outside Left or Right Vertical.
5	340013-5	Trim, Bronze. Anodized. 72" Vendor. Inside Left or Right Vertical.
6	440111	Picture, Color Display. Use w/72" Furniture Style.
7	340006-15	Trim, Bronze Anodized.
8	340016-1	Trim, Bronze Anodized.
	340013-9	Trim, Bronze Anodized. Pastryshop Only.
9	200297-4	Panel, Vinyl. Inner. Presidential Walnut. Candy or Snack.
	200297-5	Panel, Vinyl. Inner. Presidential Walnut. Pastry Only.
10	340006-9	Trim, Bronze Anodized. Candyshop Only.
	340006-10	Trim, Bronze. Anodized. Pastryshop Only.
	340006-11	Trim, Bronze Anodized. Snackshop w/4 Pastry & 2 Candy Columns.
	340006-12	Trim, Bronze Anodized. Snackshop w/3 Pastry & 4 Candy Columns.
	340006-13	Trim, Bronze Anodized. Snackshop w/2 Pastry & 6 Candy Columns.
	340006-14	Trim, Bronze Anodized. Snackshop w/1 Pastry & 8 Candy Columns.
11	200295-3	Panel, Vinyl. Left Side Vertical. 72" Vendor. Presidential Walnut.
12	340016-1	Trim, Bronze Anodized.
14	340013-12	Trim, Bronze Anodized.
15	200684	Panel, Vinyl. Lower Horizontal. Furniture Style.
16	660105	Handle, Decorative.
	217-6-3	Screw, Decorative Handle Mounting.
17	200683-3	Panel, Vinyl. Right Side Vertical. 72" Vendor. Presidential Walnut.



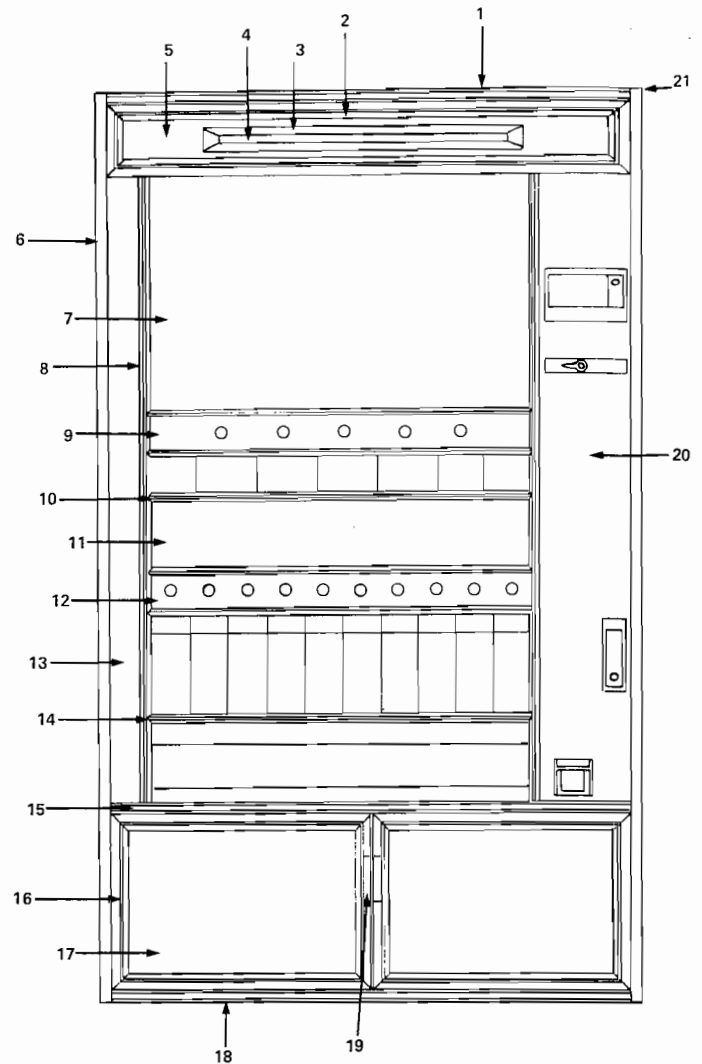
IMPERIAL STYLE

Item No.	Part No.	Description
1	660231-3	Trim, Top. Horizontal.
2	440159	Imperial Frame.
	211-8R4	Screw, Truss Hd. Phillips Type B (8 x 1/4).
3	440154	Imperial Panel Insert.
	750104	Kit, Complete. Cover up Plate.
4	200922	Imperial Panel, Upper Decorative. Presidential Walnut
5	340055-10	Trim, Vertical. Outside. Left or Right. 72" Vendor.
6	660231-3	Trim, Horizontal Top Inner.
7	440049	Picture, 4 color display. 72" Candy.
	440049-2	Picture, 4 color display. 72" Chips.
8	340013-15	Trim, Vertical. 72" Vendor. Left or Right Inside.
9	340016	Trim, Display Glass.
	340013-4	Trim, Inside Horizontal. Pastryshop Only.
10	200297-4	Panel, Vinyl. Inner. Snack or Candy. Presidential Walnut.
	200297-5	Panel, Vinyl. Inner. Pastryshop Only. Presidential Walnut.
11	660216-3	Panel, Vinyl. Left Side Vertical. (Burlap).
	200295-3	Panel, Vinyl. Left Side Vertical. (Presidential Walnut).
12	340016	Trim, Display Glass.
13	660231-15	Trim, Horizontal. Delivery Tray Bottom.
14	200296-1	Panel, Vinyl. Lower Horizontal. Presidential Walnut.
15	660231-3	Trim, Horizontal. Bottom
16	660217-4	Panel, Vinyl. Right Side Vertical. (Burlap)
	200683-3	Panel, Vinyl. Right Side Vertical. (Presidential Walnut).



FURNITURE II

Item No.	Part No.	Description
1	660231-1	Trim, Horizontal. Top.
2	440168	Furniture II. Top Frame.
3	440169	Furniture II. Top Frame Inner.
4	440174	Furniture II. Top Inner Frame Insert.
5	660226	Furniture II. Upper Decorative Panel. (Cane)
6	340055-11	Trim, Vertical. Outside. 72" Vendor. Left or Right.
7	440049	Picture, 4 Color Display. 72" Vendor. Candy.
	440049-2	Picture, 4 Color Display. 72" Vendor. Chips.
8	340013-16	Trim, Inside Vertical. Left or Right. 72" Vendor.
	340013-17	Trim, Inside Vertical, Left or Right. 64" Vendor.
9	340006-15	Trim, Selector Button. G & M Bronze.
10	340016-1	Trim, Horizontal. G&M Display Glass.
11	200297-4	Panel, Inner. Candy & Snackshop. Presidential Walnut.
	200297-5	Panel, Inner. Pastryshop Only. Presidential walnut.
12	340006-9	Trim, Selector Button. Candyshop. Bronze.
	340006-10	Trim, Selector Button. Pastryshop. Bronze.
	340006-11	Trim, Selector Button. Snackshop. w/4 Pastry & 2 Candy Columns.
	340006-12	Trim, Selector Button. Snackshop w/ 3 Pastry & 4 Candy Columns.
	340006-13	Trim, Selector Button. Snackshop w/2 Pastry & 6 Candy Columns.
	340006-14	Trim, Selector Button, Snackshop w/1 Pastry & 8 Candy Columns.
13	200295-3	Panel, Left Side Vertical. 72" Vendor. Presidential Walnut.
14	340016-1	Trim, Display Glass. Bronze.
15	660231-1	Trim, Horizontal. Delivery Tray Bottom.
16	440170	Furniture II. Bottom Frame.
17	660227	Furniture II. Lower Panel (Cane).
18	660231-1	Trim, Horizontal Bottom.
19	460237	Furniture II. Handle Decal.
20	200683-3	Panel, Right Side Vertical. 72" Vendor. Presidential Walnut.
21	600303-1	Door Only. Specify Color.

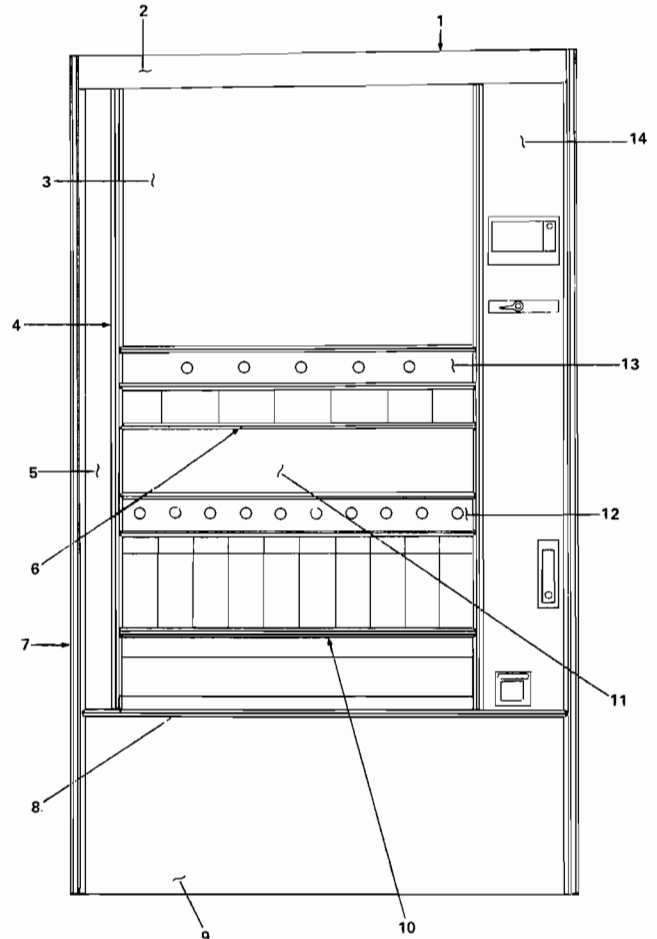


AWARD STYLE

Item No.	Part No.	Description
1	340042	Trim, Top, Candy, Pastry or Snack.
2	200526	Panel, Vinyl. Top Insert. Imperial. Rosewood. Candy, Snack, Pastry.
	200526-2	Panel, Vinyl. Top Insert. Presidential Walnut. Candy, Snack, Pastry.
	200526-4	Panel, Vinyl. Top Insert. Teak. Candy, Snack, Pastry.
3	440106	Picture, Display. w/Script Lettering. Pastryshop.
	440106-1	Picture, Display. w/Script Lettering. Snackshop.
	440106-2	Picture, Display. w/Script Lettering. Candyshop.
	200647	Panel, Use with Award Style Display Picture.
4	340013-11	Trim, Inside Vertical. Left or Right Side. Candy, Snack, Pastry.
5	200295-1	Panel, Vinyl. Left Side Vertical. Imperial Rosewood. Candy, Snack, Pastry.
	200295-11	Panel, Vinyl. Left Side Vertical. Presidential Walnut. Candy, Snack, Pastry.
	200295-17	Panel, Vinyl. Left Side Vertical. Teak.
6	340016	Trim, Display Glass.
	340013-4	Trim, Display Glass. Inside Horizontal. Pastryshop Only.
7	660231-13	Trim, Outside Vertical. Left or Right. w/Black Stripe.
8	660231-7	Trim, Lower Horizontal. w/Black Stripe.
9	200720-4	Panel, Vinyl. Lower Horizontal. Imperial Rosewood.
	200720-2	Panel, Vinyl. Lower Horizontal. Presidential Walnut.
	200720-8	Panel, Vinyl. Lower Horizontal. Teak.
10	340016	Trim, Display Glass.
11	200297	Panel, Vinyl. Inner. Imperial Rosewood. Candy or Snack Only.
	200297-1	Panel, Vinyl. Inner. Imperial Rosewood. Pastryshop Only.
	200297-4	Panel, Vinyl. Inner. Presidential Walnut. Candy or Snack Only.
	200297-5	Panel, Vinyl. Inner. Presidential Walnut. Pastryshop Only.
	200297-6	Panel, Vinyl. Inner. Teak. Candyshop or Snackshop Only.
	200297-7	Panel, Vinyl. Inner. Teak. Pastryshop Only. See Page 10, Item 15.
12	340006-7	Trim, Selector Button. Gum & Mint.
13	340006-7	Trim, Selector Button. Gum & Mint.
14	200683	Panel, Vinyl. Right Side Vertical. Painted. Specify Color.

WHEATSTONE STYLE

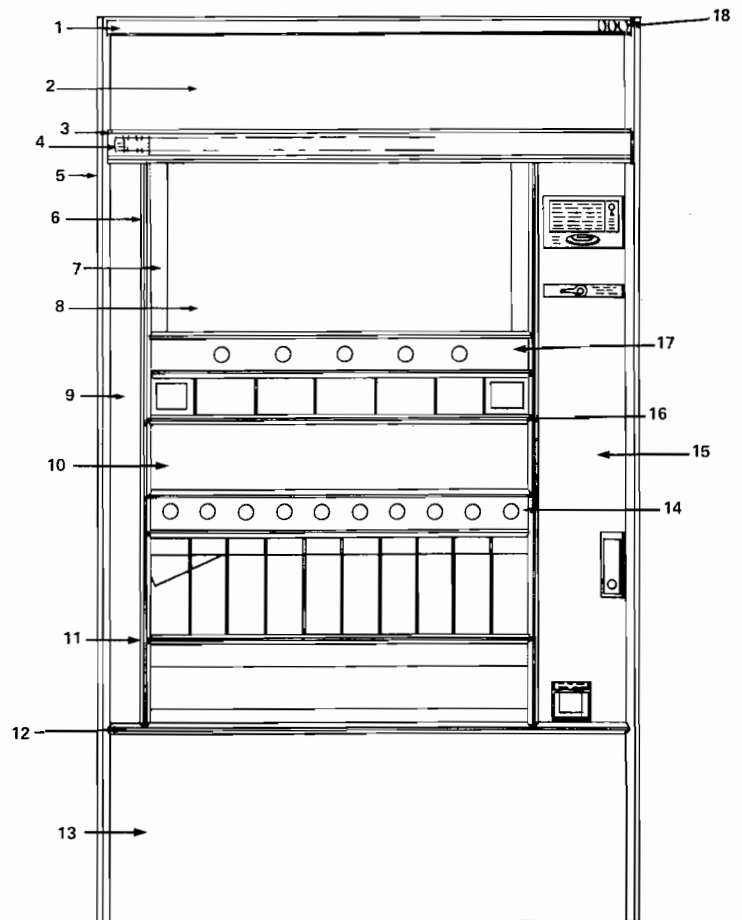
Item No.	Part No.	Description
1	340042-3	Trim, Top, Candy, Pastry, or Snack. Bronze.
2	660220	Panel, Insert. Leather.
3	660223	Panel, Display. Leather.
4	340013-18	Trim, Vertical. Inside Left or Right.
5	660216	Panel, Vinyl. Left Side Vertical. Bronze.
6	340016-1	Trim, Display Glass. Bronze.
	340013-9	Trim, Bronze. Pastryshop Only.
7	340055-11	Trim, Vertical, Outside Left or Right Side.
8	340055-1	Trim, Horizontal. Bottom Display Tray.
9	660218	Panel, Vinyl Lower Horizontal. Leather.
10	340016-1	Trim, Bronze Anodized.
11	660222	Panel, Vinyl. Inner. Candyshop or Pastryshop. Bronze.
	660222-1	Panel, Vinyl. Inner. Pastryshop Only. Bronze.
12	340006-9	Trim, Button Selector. Bronze.
	340006-10	Trim, Button Selector, Pastryshop Only. Bronze.
	340006-11	Trim, Button Selector, Snackshop Only. w/4 Pastry and 2 Candy Columns.
	340006-12	Trim, Button Selector, Snackshop Only. w/3 Pastry and 4 Candy Columns.
	340006-13	Trim, Button Selector, Snackshop Only. w/2 Pastry and 6 Candy Columns.
	340006-14	Trim, Button Selector, Snackshop Only. w/1 Pastry and 8 Candy Columns.
13	340006-15	Trim, Gum & Mint Selector Button. Bronze.
14	660217	Panel, Vinyl. Right Side Vertical. Bronze.



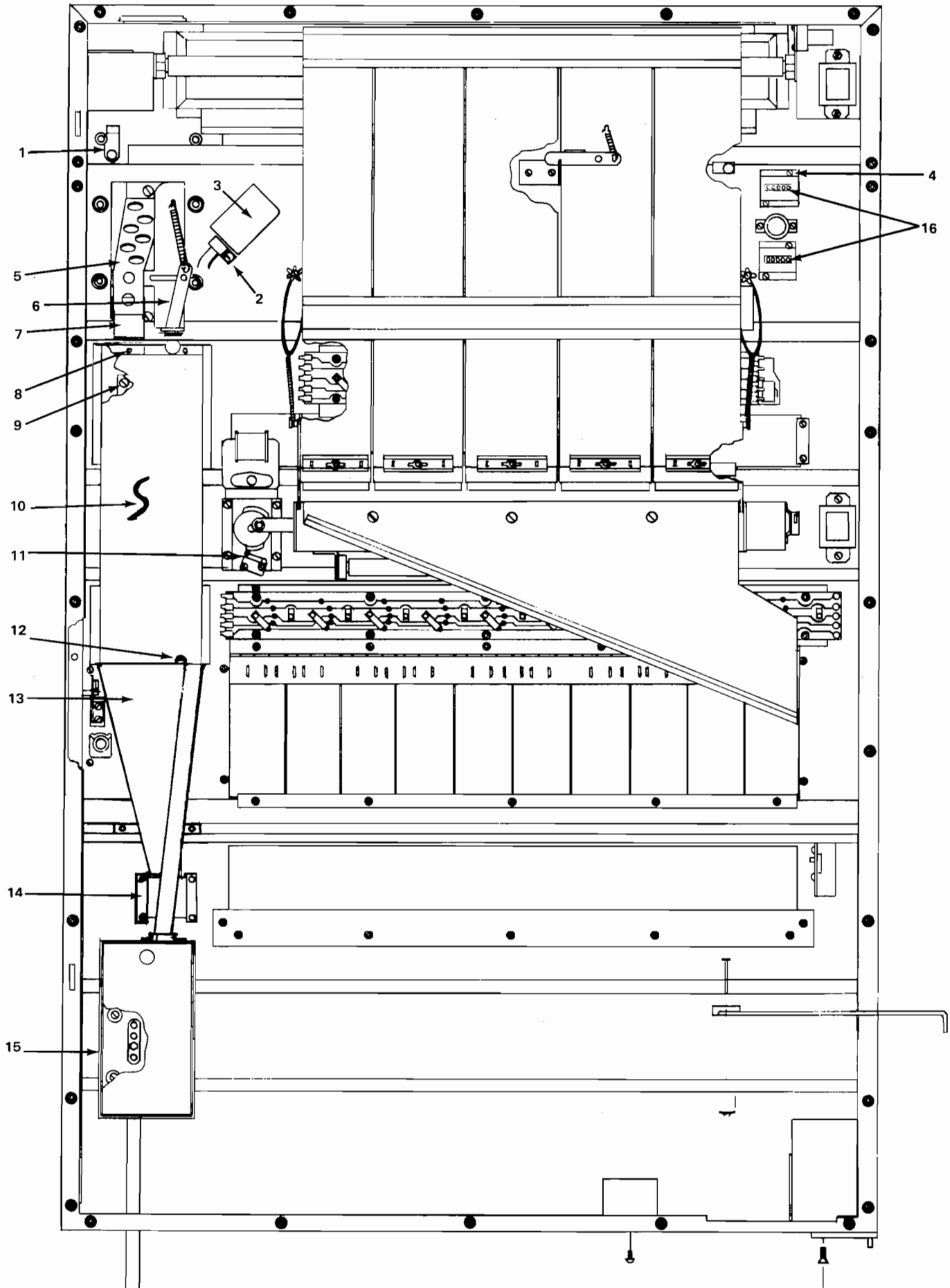
VENDO II AND VENDURA II

Item No.	Part No.	Description
1	340040	Trim, Top. Candyshop, Pastryshop or Snackshop.
2	200494 200494-2 200494-4 200494-6 200494-8	Panel, Top. Painted. Specify Color. CSP. Panel, Vinyl. Top. Teak. Candy, Snack Pastry. Panel, Vinyl. Top. Regency Walnut. Panel, Vinyl. Top. Spanish Oak. Panel, Vinyl. Top. Presidential Walnut.
3	340041	Trim, Decorative Plastic.
4	440118	Plastic, Decorative
5	340056-1	Trim, Outside Vertical, Left or Right. 72" Vendor.
6	340013-10	Trim, Inside Vertical. Left or Right Side.
7	200495	Trim, Edge. Four Color Display Picture. Right and Left.
8	660253 440092 440092-1 440092-2 200242-7 200242-8 200242-9 200242-10 200242-11	Assembly Picture Edging w/Tape. Picture, Four Color Display. Candyshop. Picture, Four Color Display. Pastryshop. Picture, Four Color Display. Snackshop. Panel, Vinyl. Top Inner. Teak. Panel, Vinyl. Top Inner. Regency Walnut. Panel, Vinyl. Top Inner. Spanish Oak. Panel, Vinyl. Top Inner. Painted, Specify Color. Panel, Vinyl. Top Inner. Presidential Walnut.
9	200295-13 200295-14 200295-15 200295-16 200295-19	Panel, Vinyl. Left Side Vertical. Regency Walnut. Panel, Vinyl. Left Side Vertical. Teak. Panel, Vinyl. Left Side Vertical. Spanish Oak. Panel, Vinyl. Left Side Vertical. Painted, Specify Color. Panel, Vinyl. Left Side Vertical. Presidential Walnut.
10	200297-2 200297-3 200297-4 200297-5 200297-6 200297-7 200297-8 200297-9 200297-10 200297-11	Panel, Vinyl. Inner. Painted. Specify Color. Candy or Snack. Panel, Vinyl. Inner. Painted Specify Color. Pastry Only. Panel, Vinyl. Inner. Presidential Walnut. Candy or Snack. Panel, Vinyl. Inner. Presidential Walnut. Pastryshop Only. Panel, Vinyl. Inner. Teak. Candyshop or Snackshop Only. Panel, Vinyl. Inner. Teak. Pastryshop Only. Panel, Vinyl. Inner. Spanish Oak. Candy or Snack. Panel, Vinyl. Inner. Spanish Oak. Pastry Only. Panel, Vinyl. Inner. Regency Walnut. Candy or Snack. Panel, Vinyl. Inner. Regency Walnut. Pastryshop Only.
11	340016	Trim, Display Glass.
12	340013-1	Trim, Inside Horizontal.
13	200720 200720-2 200720-6 200720-8 200220-10	Panel, Vinyl. Lower Horizontal. Painted. Specify Color. Panel, Vinyl. Lower Horizontal. Presidential Walnut. Panel, Vinyl. Lower Horizontal. Spanish Oak. Panel, Vinyl. Lower Horizontal. Teak. Panel, Vinyl. Lower Horizontal. Regency Walnut.
14		See Page 10, Item 15.

Item No.	Part No.	Description
15	200683-13 200683-14 200683-15 200683-16 200683-17	Panel, Vinyl. Right Side Vertical. Regency Walnut. Panel, Vinyl. Right Side Vertical. Teak. Panel, Vinyl. Right Side Vertical. Spanish Oak Panel, Vinyl. Right Side Vertical. Painted. Specify Color. Panel, Vinyl. Right Side Vertical. Presidential Walnut.
16	340016 340013-4	Trim, Display Glass. Trim, Inside Horizontal. Pastryshop Only.
17	340006-7	Trim, Selector Button. Gum & Mint.
18	600194-1 600194-2	Door 72" Only. Candyshop or Snackshop. Door 72" Only. Pastryshop Only.



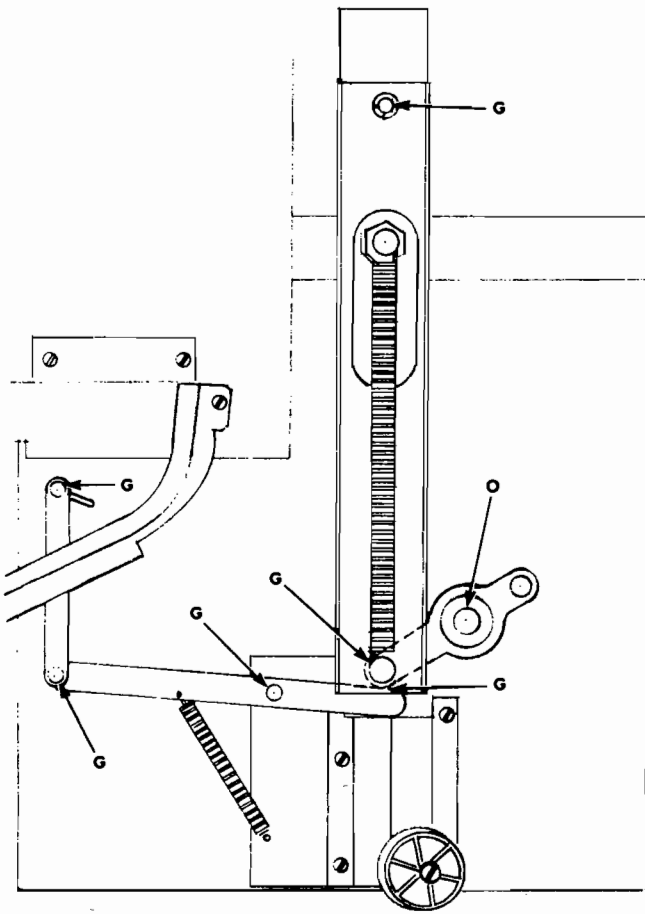
ELECTRONIC CHANGER SUPPLEMENT



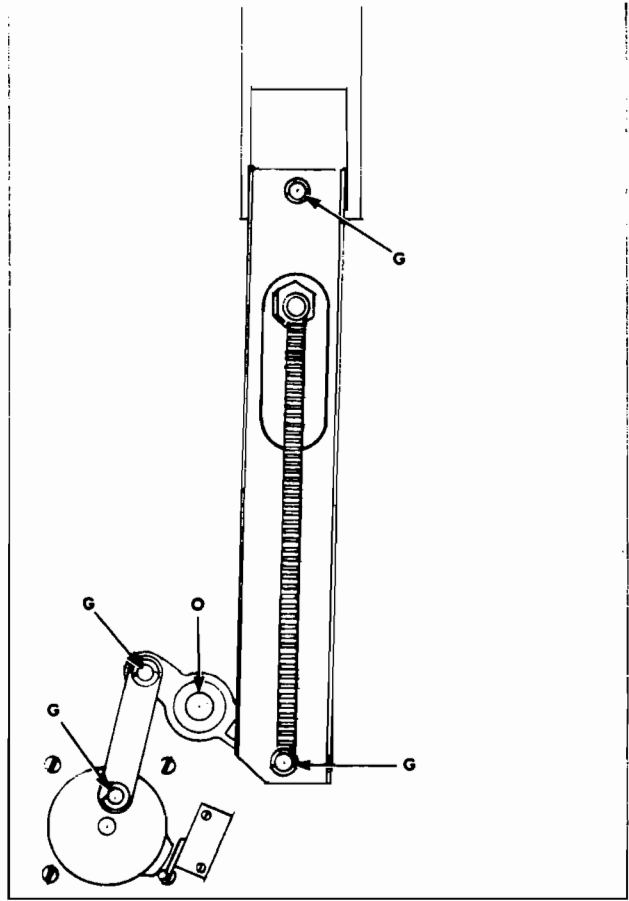
ELECTRONIC CHANGER SUPPLEMENT

Item No.	Part No.	Description
1	680109	Lamp, Neon. Use Correct Change.
2	420096	Clamp, Adhesive.
3	380123	Cover, Receptical.
	380121	Receptical, 8 Pin.
4	276-8-6	Screw Pan Head, Self Tap. (8-32 x 3/8")
5	660019-1	Assembly, Upper Coin Chute.
6	640016-4	Extension, Coin Return Rod.
7	200730	Extension Cover, Upper Coin Chute.
8	276-10R8	Screw Pan Head, Self Tap. (10-32 x 3/8")
9	300154	Screw Shoulder.
10	420080-12	Changer, Coinco 4 Price w/Acceptor, 110 Volt.
	420080-19	Changer, Mars 4 Price w/Acceptor, 110 Volt.
	750071-1	Changer By-Pass Plug. 4 Price, 110 Volt.
11	440213	Spacer, Motor Hold Switch.
12	420051	Cimap, Metal.
13	600360	Chute Assembly, Coin Return and Coin Acceptance.
14	660008-2	Cup, Coin Return.
15	600313-1	Bracket, Cash Box Mounting.
	600179-1	Cash Box. Large. w/Handle.
16	680117-1	Meter, Non-Resettable.
		HARNESSES
	680221-1	Harness, Door Hook Up. Candyshop or Snackshop.
	680224	Cord, A.C. Line. 2 Conductor.
	680223-1	Harness, Base & Door Hook Up. Pastryshop.
	680222-1	Harness, Base. Candyshop or Snackshop.

LUBRICATION CHART



CHASSIS - LOCK SIDE



CHASSIS - PIVOT SIDE

EVERY 90 DAYS OR 25,000 VEND CYCLES

Areas indicated with "O" should be oiled with a non-detergent S.A.E. 30 weight oil.

Areas indicated with "G" should be cleaned and greased with a good grade of extreme pressure grease.