



**AUTOMATIC PRODUCTS/RMI**

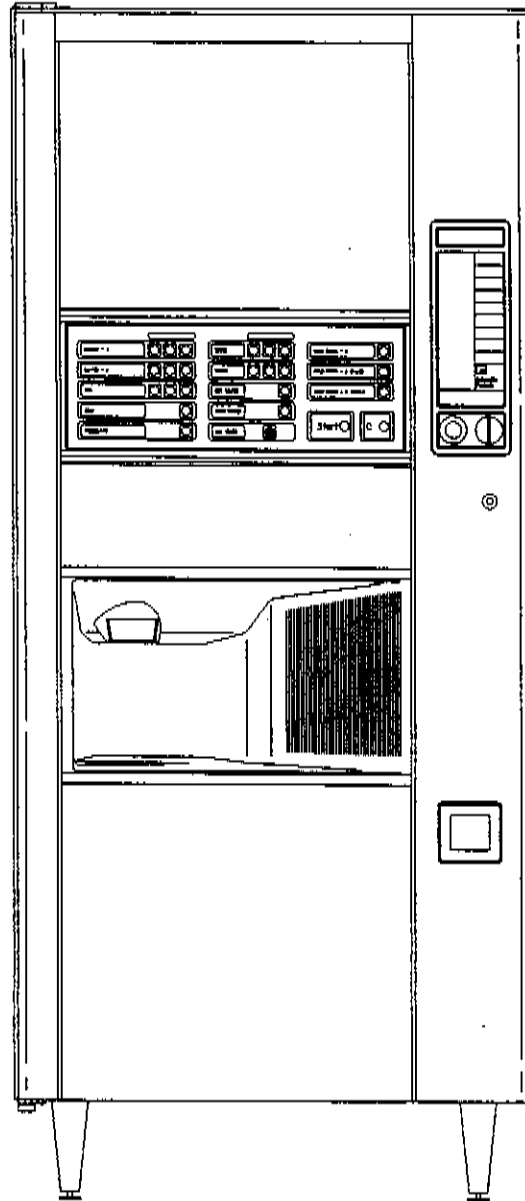
**AP 402  
PARTS  
MANUAL  
HOT DRINK MERCHANDISER**

100

100

100

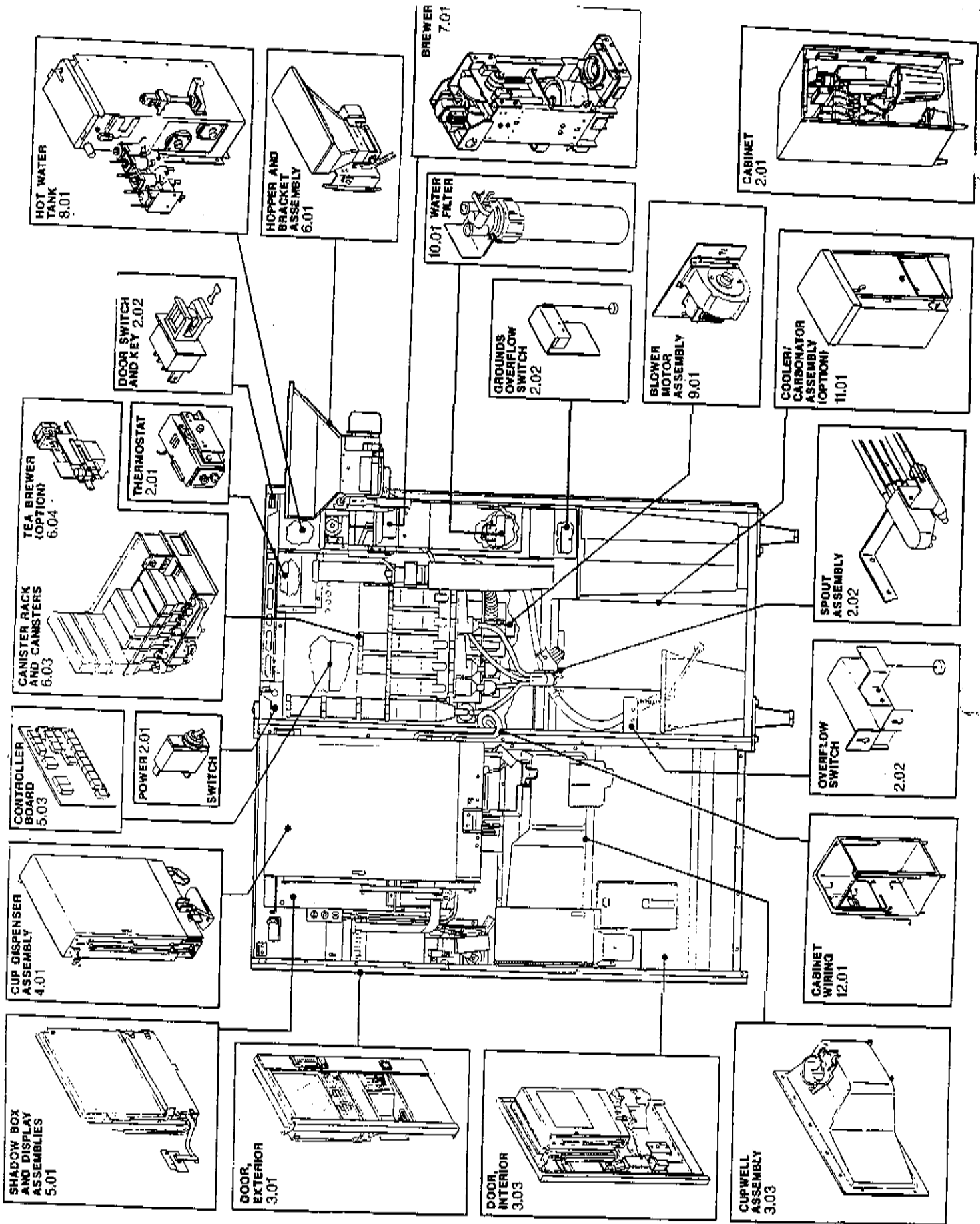
# AUTOMATIC PRODUCTS 402



Automatic Products 75 West Plato Boulevard St Paul MN 55107 Tel: 612 224 4391

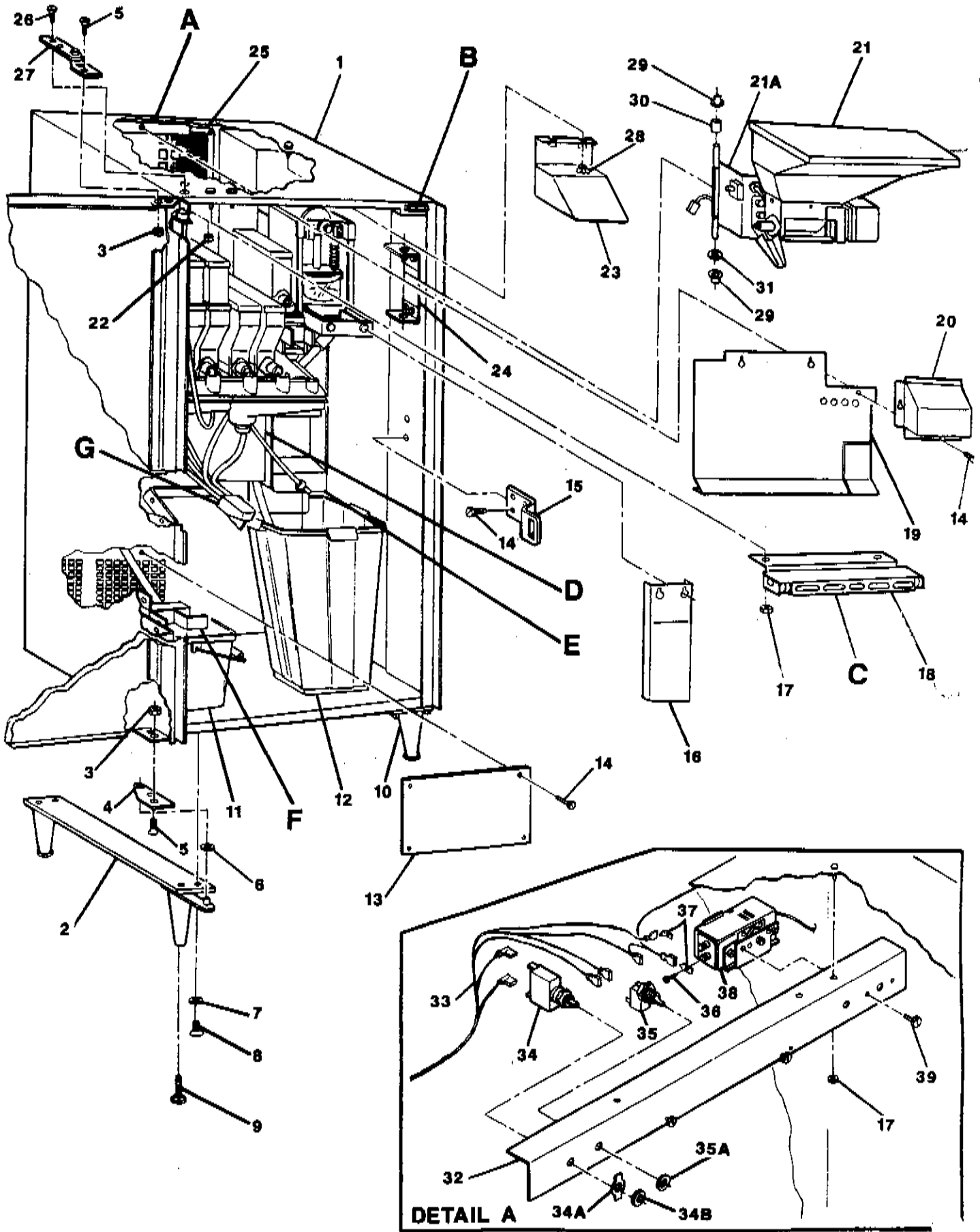
Refreshment Machinery Industries 300 Jacksonville Road Warminster PA 18974 Tel: 215 675 4200





## INDEX

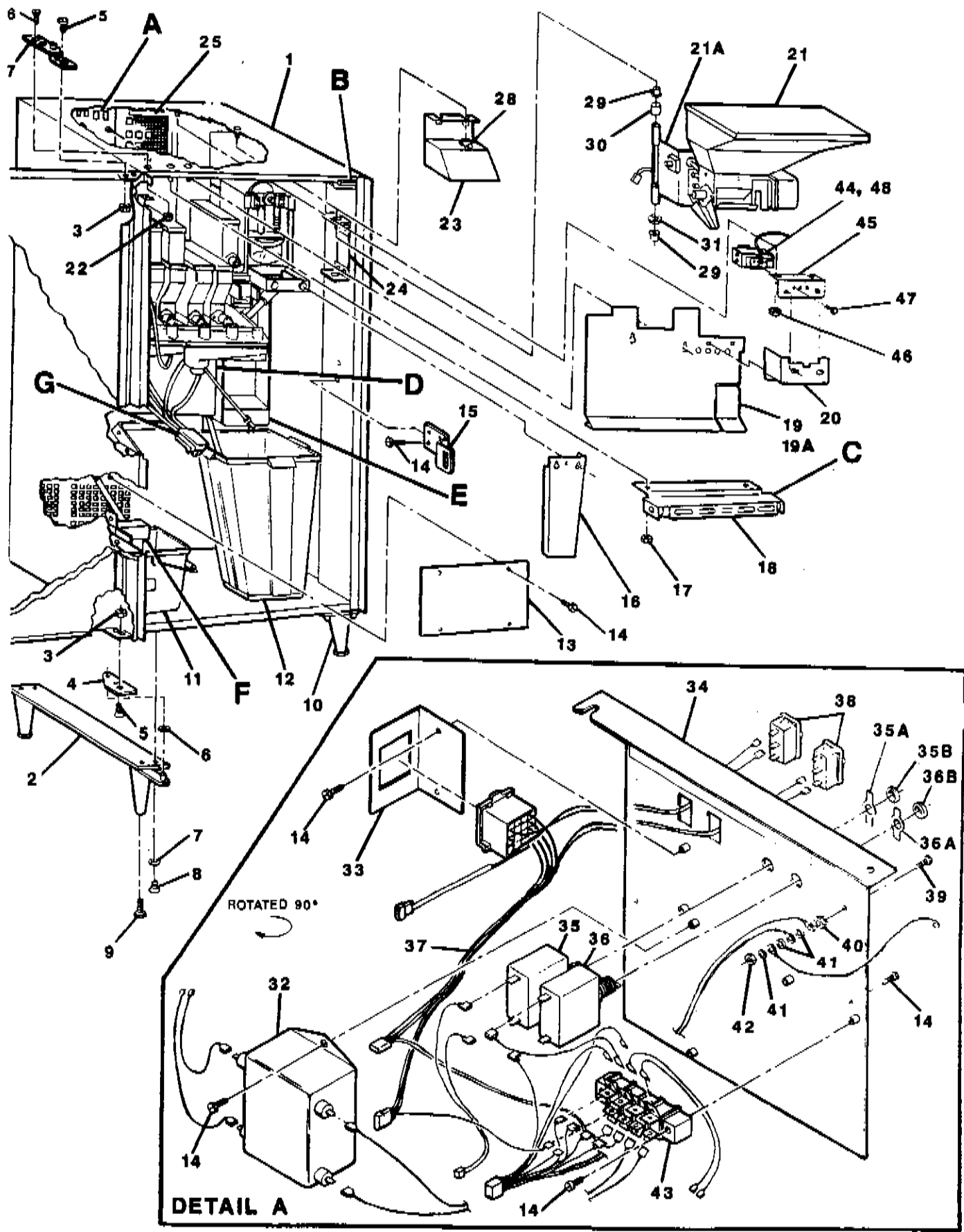
LOCATION OF MAJOR ITEMS IN CABINET.....	1.01
CABINET AND MISCELLANEOUS ITEMS INSIDE .....	2.01A
CABINET AND MISCELLANEOUS ITEMS INSIDE (UPDATED VERSION) .....	2.01B
MISCELLANEOUS ITEMS INSIDE CABINET .....	2.02A
MISCELLANEOUS ITEMS INSIDE CABINET (UPDATED VERSION) .....	2.02B
DOOR - DOOR EXTERIOR .....	3.01A
DOOR PARTS FOR GYROVEND AND MARS CARD READER .....	3.02
DOOR - INTERIOR.....	3.03
DOOR - INTERIOR (UPDATED VERSION) .....	3.03A
CUP DISPENSER ASSEMBLY AND TRAP DOOR OPTION .....	4.01A
SHADOW BOX ASSEMBLY AND ELECTRONIC BOARDS .....	5.01
SHADOW BOX ASSEMBLY AND ELECTRONIC BOARDS (UPDATED VERSION) .....	5.01A
LOGIC BOARD .....	5.02A
MOTOR CONTROL BOARD.....	5.03
CANISTER ASSEMBLY - COFFEE HOPPER.....	6.01
CANISTER ASSEMBLY - COFFEE HOPPER (4KG. SIZE - STAINLESS STEEL EXTENSION) .....	6.01A
CANISTER ASSEMBLY - COFFEE HOPPER (4KG. SIZE - VACUUM FORMED EXTENSION) .....	6.01B
BRACKET ASSEMBLY, COFFEE HOPPER SWING-OUT .....	6.02A
BRACKET ASSEMBLY, COFFEE HOPPER SWING-OUT (UNITS WITH VACUUM-FORMED EXTENSION) .....	6.02B
CANISTER RACK ASSEMBLY.....	6.03A
BREWER ASM, TEA, WITH RELATED ITEMS.....	6.04A
BREWER ASM, TEA, WITH RELATED ITEMS, COMMON DESIGN.....	6.04B
FD (SOLUBLE) TEA COMPONENTS.....	6.05
FD (SOLUBLE) COFFEE COMPONENTS .....	6.06
FD (SOLUBLE) COFFEE COMPONENTS - COFFEE ON CANISTER RACK.....	6.06A
LOCATION OF COMMODITY CANISTERS ON CANISTER RACK .....	6.07
CANISTER ASSEMBLY: FRESH - BREWED TEA .....	6.08
CANISTER ASSEMBLIES: CHOCOLATE AND SOUP.....	6.09A
CANISTER ASSEMBLIES: LEMON TEA AND SUGAR .....	6.10
CANISTER ASSEMBLIES: CREAM, FD (SOLUBLE) TEA, AND WHITENER .....	6.11A
BREWER ASSEMBLY.....	7.01
BREWER BASE ASSEMBLY.....	7.02
BREWER BACK PANEL, FRONT CHANNEL, AND MAIN FRAME .....	7.03
BREWER CYLINDER AND PISTON ASSEMBLIES .....	7.04
BREWER MOTOR.....	7.05
BREWER SERVICE SWITCHES .....	7.06
TANK ASSEMBLY, HOT WATER.....	8.01
TANK ASSEMBLY, HOT WATER (REVISED, WITH SS ROUND FLOAT).....	8.01B
TANK ASSEMBLY, HOT WATER - PROBE .....	8.01C
TANK VALVE AND RINSE HOSE ASSEMBLIES .....	8.02
MOTOR ASSEMBLY, EXHAUST BLOWER.....	9.01
WATER INLET AND FILTER ASSEMBLIES .....	10.01
WATER INLET ASSEMBLIES (REVISED) .....	10.01A
WATER INLET ASSEMBLY WITH EVERPURE FILTER - HOT DRINKS ONLY, NO PRESSURE SWITCH .....	10.01B
WATER INLET ASSEMBLY WITH EVERPURE FILTER - HOT & COLD DRINKS, W/PRESSURE SWITCH.....	10.01C
WATER INLET ASSEMBLY WITH SHUTOFF VALVE - HOT & COLD DRINKS .....	10.01D
VALVE ASSEMBLY, WATER INLET .....	10.02
WATER INLET SHUT-OFF/FILTER BY-PASS KITS .....	10.03
COOLER AND CARBONATOR ASSEMBLY (COLD DRINK UNITS) .....	11.01
COOLER AND CARBONATOR ASSEMBLY (REVISED COLD DRINK UNITS) .....	11.01A
COOLER AND CARBONATOR ASSEMBLY WITH ELECTRONIC ICE BANK PROBE .....	11.01B
COMPRESSOR ASSEMBLY (COLD DRINK UNITS) .....	11.02
COMPRESSOR ASSEMBLY (REVISED COLD DRINK UNITS - REV.A) .....	11.02A
COMPRESSOR ASSEMBLY (REVISED COLD DRINK UNITS - REV.B) .....	11.02B
PUMP ASSEMBLIES: SYRUP AND WATER (COLD DRINK UNITS) .....	11.03
WATER PUMP ASSEMBLY AND DRAIN TUBE (REVISED COLD DRINK UNITS) .....	11.03A
SYRUP PUMP ASSEMBLY (COLD DRINK UNITS).....	11.03B
CARBONATOR ASSEMBLY (COLD DRINK UNITS) .....	11.04A
DIAGRAM: WIRING AND ELECTRICAL ITEMS INSIDE CABINET.....	12.01A
SCHEMATIC DIAGRAM - VERSION 1 .....	13.01
SCHEMATIC DIAGRAM - VERSION 2 .....	13.01A



CABINET AND MISCELLANEOUS ITEMS INSIDE

1.	32825	CABINET ASSEMBLY, WELDED
2.	24800	LEG ASM, LHD WITH HINGE
3.	12518	NUT, 1/4-20, KEP, SCP
4.	18159	HINGE ASM WELDED, BOTTOM
5.	22181	SCREW, 1/4-20 X 5/8, HH, M, SK
6.	27813	WASHER, DOOR HINGE
7.	05979	WASHER, LOCK, 3/8 SPLIT
8.	07444	BOLT, LEG
9.	300103	BOLT, LEVELER, LEG
10.	24799	LEG ASM, RHD
11.	31440	BUCKET, OVERFLOW, WASTE, BROWN
12.	30684	BUCKET, OVERFLOW, GROUNDS, BROWN
13.	33373	PLATE, COVER, CABINET REAR (HOT DRINK ONLY UNITS)
14.	14806	SCREW, 8-32 X 3/8, HH, SCP, F, SD WA
15.	23328	LATCH, DOOR LOCK
16.	33067	GUARD, SPLASH, BREWER
17.	11749	NUT, 8-32 KEP, EXT LOCK WA, SCP
18.		LAMP ASM, FLUORESCENT (SEE MANUAL PAGE 2.02A)
19.	33669	COVER, CANISTER RACK
20.	33830	COVER ASM, COMMODITY VALVES
21.		CANISTER ASM, COFFEE HOPPER (SEE MANUAL PAGE 6.01)
21A.		BRACKET ASM, COFFEE SWING - OUT (SEE MANUAL PAGE 6.02A)
22.	27932	NUT, 5/16, KEP
23.	34838	COVER ASM, BREWER
24.	33790	BRACKET, COFFEE SWING-OUT MOUNTING
25.	14189	SCREEN, EXHAUST, CABINET
26.	27931	BOLT, 5/16-18 X 5/8, CARRIAGE
27.	24805	HINGE ASM WELDED, TOP
28.	06888	NUT, 8-32, WING, ZINC WA BASE
29.	18058-14	NYLINER, 6L2FF
30.	27604	CLAMP, 'P', 1/4, NYLON
31.	05049	WASHER, FLAT, 7/16 X 3/4
32.	32995	BRACKET ASM, SWITCH & BREAKERS
33.	33512	HARNESS ASM, MAIN 402 SUB, BACK PANEL
34.	20156	BREAKER, CIRCUIT, 10 AMP (PART OF ITEM 33)
34A.		PLATE, SWITCH, ON-OFF (PART OF ITEM 34-NOT SOLD SEPARATELY)
34B.		RING, SWITCH (PART OF ITEM 34 - NOT SOLD SEPARATELY)
35.	17760	SWITCH, FLUSH (PART OF ITEM 33)
35A.		RING, SWITCH (PART OF ITEM 35 - NOT SOLD SEPARATELY)
36.	14487	SCREW, 8-32 X 1/4, PH
37.	21109	TERMINAL, TAB, .250 BOLT-ON, GROUND
38.	33379	THERMOSTAT, ADJUSTABLE
39.	29942	SCREW, 6 X 3/8, HH, SD

NOTE: DETAILS B-G: SEE MANUAL PAGE 2.02A

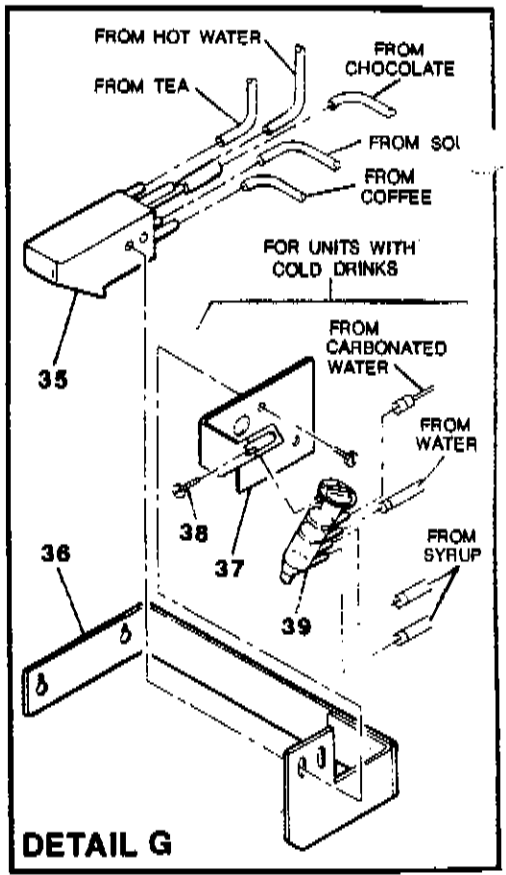
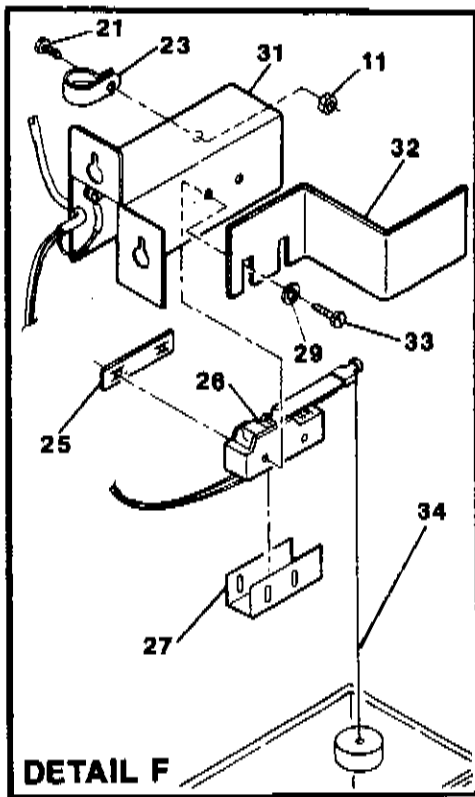
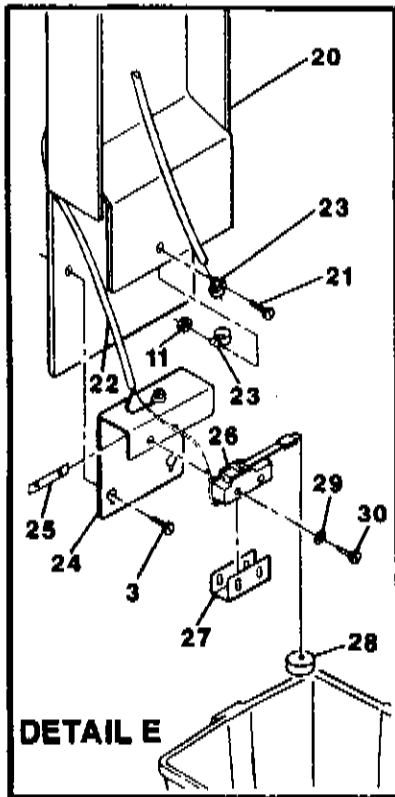
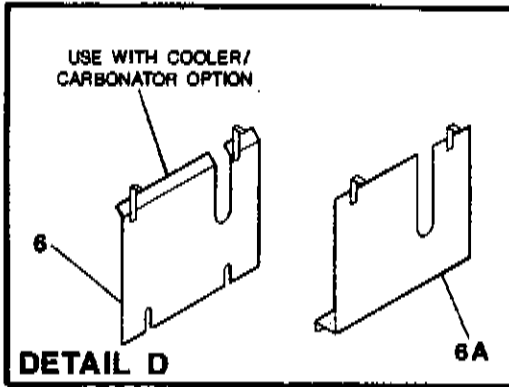
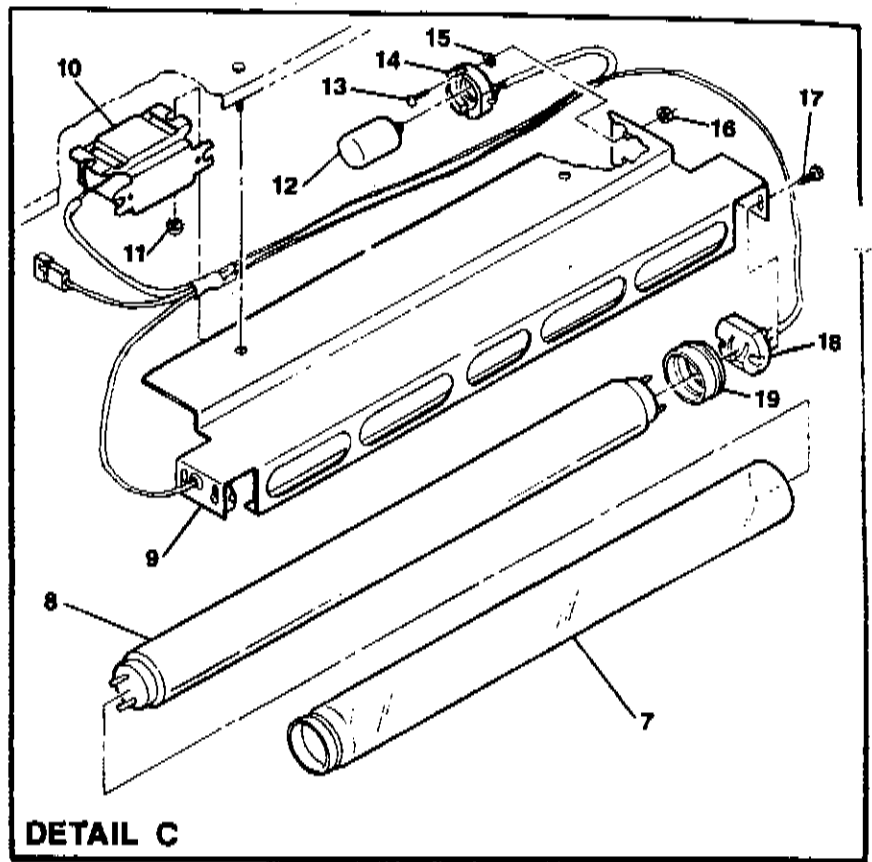
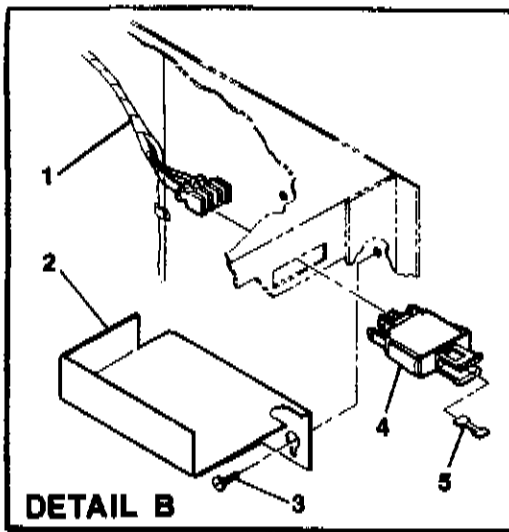




CABINET AND MISCELLANEOUS ITEMS INSIDE

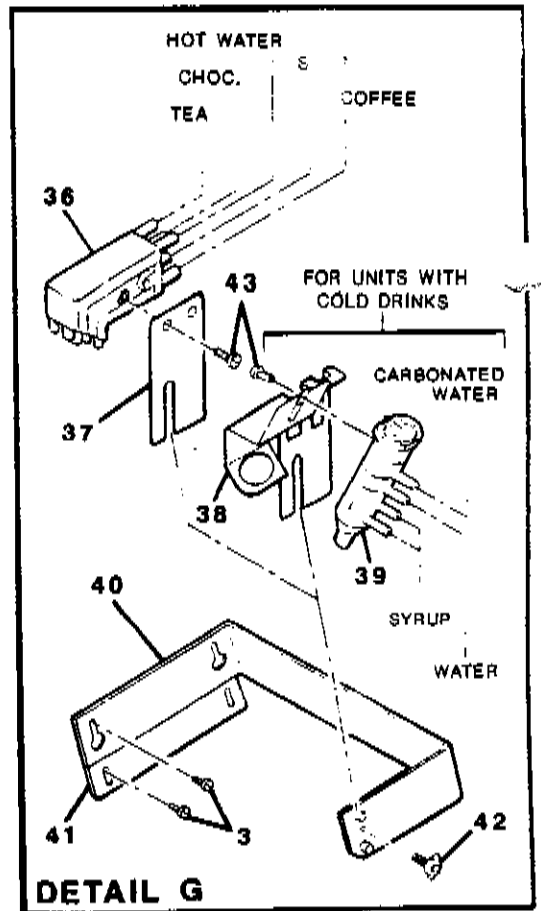
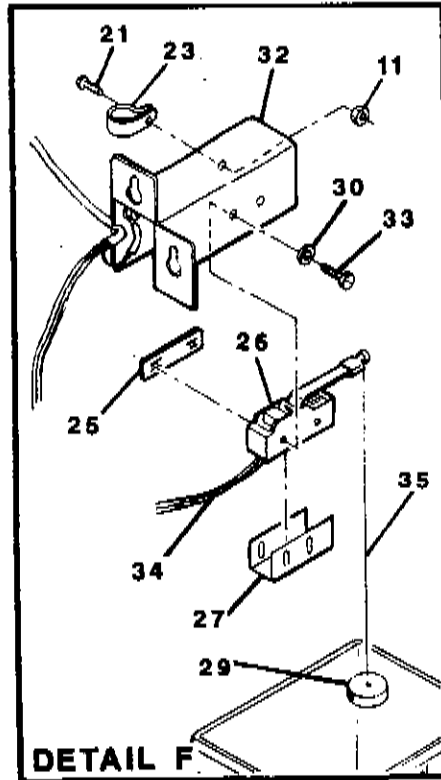
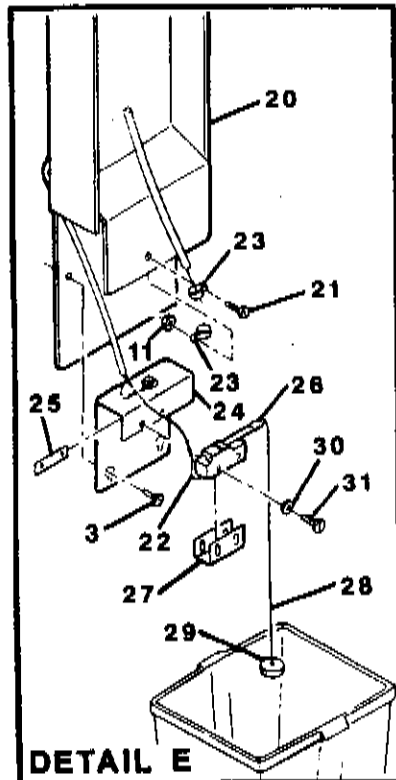
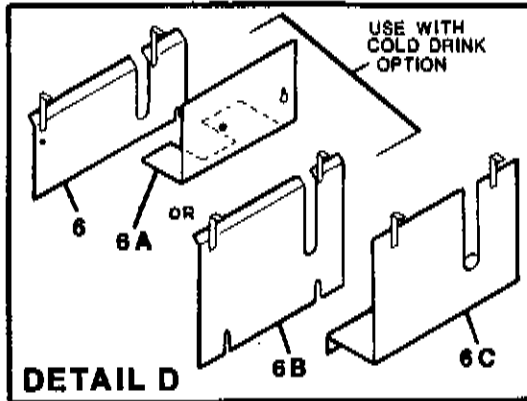
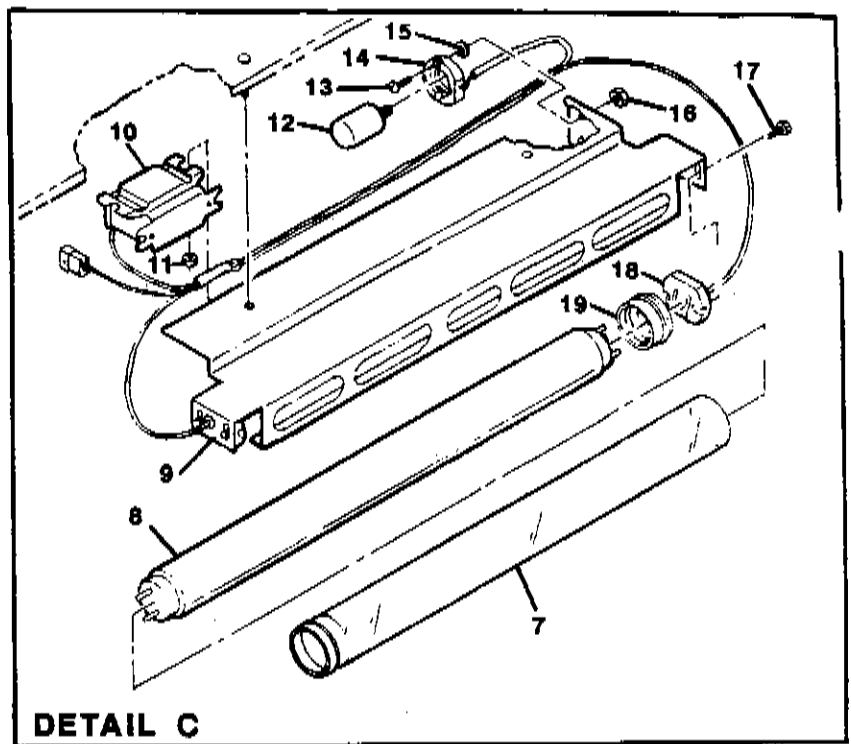
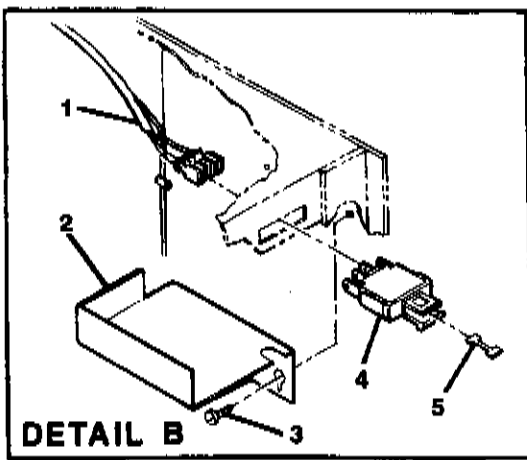
1.	32825	CABINET ASSEMBLY, WELDED
2.	24800	LEG ASM, LHD WITH HINGE
3.	12518	NUT, 1/4-20, KEP, SCP
4.	18159	HINGE ASM WELDED, BOTTOM
5.	22181	SCREW, 1/4-20 X 5/8, HH, M, SK
6.	27813	WASHER, DOOR HINGE
7.	05979	WASHER, LOCK, 3/8 SPLIT
8.	07444	BOLT, LEG
9.	300103	BOLT, LEVELER, LEG
10.	24799	LEG ASM, RHD
11.	31440	BUCKET, OVERFLOW, WASTE, BROWN
12.	30684	BUCKET, OVERFLOW, GROUNDS, BROWN
13.	34587	PLATE, COVER, CABINET REAR (HOT DRINK ONLY UNITS)
14.	14806	SCREW, 8-32 X 3/8, HH, SCP, F, SD WA
15.	34645	LATCH, DOOR LOCK
16.	33067	GUARD, SPLASH, BREWER
17.	11749	NUT, 8-32 KEP, EXT LOCK WA, SCP
18.		LAMP ASM, FLUORESCENT (SEE MANUAL PAGE 2.02A)
19.	34778	COVER, CANISTER RACK
19A.	35248	COVER, CANISTER RACK W/FB TEA
20.	34779	COVER ASM, THERMOSTAT
21.		CANISTER ASM, COFFEE HOPPER (SEE MANUAL PAGE 6.01, 6.01A OR 6.01B)
21A.		BRACKET ASM, COFFEE SWING - OUT (SEE MANUAL PAGE 6.02A OR 6.02B)
22.	27932	NUT, 5/16, KEP
23.	34638	COVER ASM, BREWER
24.	33790	BRACKET, COFFEE SWING-OUT MOUNTING
25.	14189	SCREEN, EXHAUST, CABINET
26.	27931	BOLT, 5/16-18 X 5/8, CARRIAGE
27.	24605	HINGE ASM WELDED, TOP
28.	06888	NUT, 8-32, WING, ZINC WA BASE
29.	16058-14	NYLINER, 6L2FF
30.	27604	CLAMP, 'P', 1/4, NYLON
31.	05049	WASHER, FLAT, 7/16 X 3/4
32.	29003	FILTRER, LINE, EMI
33.	34776	BRACKET, RELAY, SMALL
34.	34784	BRACKET ASM, SWITCH & BREAKERS
35.	20156-1	BREAKER, CIRCUIT, 3 AMP
35A.		PLATE, SWITCH, ON-OFF (PART OF ITEM 35-NOT SOLD SEPARATELY)
35B.		RING, SWITCH (PART OF ITEM 35 - NOT SOLD SEPARATELY)
36.	20156	BREAKER, CIRCUIT, 10 AMP
36A.		PLATE, SWITCH, ON-OFF (PART OF ITEM 36-NOT SOLD SEPARATELY)
36B.		RING, SWITCH (PART OF ITEM 36 - NOT SOLD SEPARATELY)
37.	34768	HARNES ASM, CABINET, BREAKERS & SWITCHES
38.	380283	SWITCH, MOMENTARY ROCKER
39.	100B10-12	SCREW, 10-32 X 3/4, RH, M, BR
40.	34406	WASHER, LOCK, #10, EXTRN, BR
41.	600B10	WASHER, FLAT, #10, BR
42.	00160	NUT, 10-32 HEX, BR
43.	34787	STRIP, TERMINAL
44.	33379	THERMOSTAT ADJUSTABLE
45.	34775	BRACKET, THERMOSTAT
46.	11749	NUT, 8-32 KEP, EXT LK WA, SCP
47.	13154	SCREW, 6-32 X 1/4, HH, SD, SCP
48.	21109	TERMINAL TAB 250 BOLT-ON

NOTE: DETAILS B-G: SEE MANUAL PAGE 2.02B



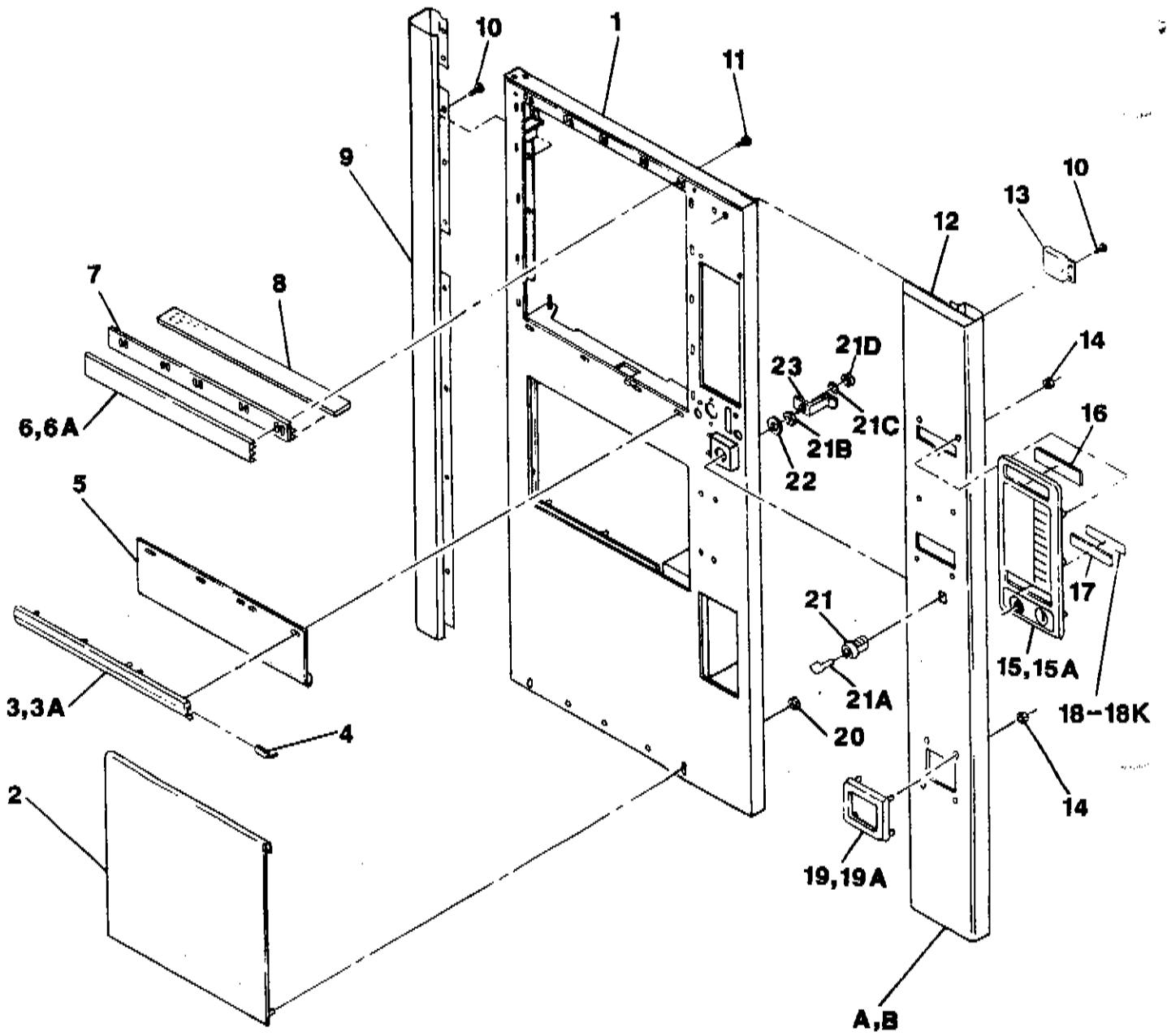
MISCELLANEOUS ITEMS INSIDE CABINET

1.	33513	HARNES ASM, DOOR SWITCH (SOLD ONLY AS PART OF HARNES ASM, MAIN)
2.	33434	COVER, DOOR, INTERLOCK SWITCH
3.	14806	SCREW, 8-32 X 3/8, HH, SCP, F, SD, WA
4.	33476	SWITCH, INTERRUPT, WITH BARRIER
5.	33645	KEY FOR SWITCH 33476 (ITEM 4)
6.	33637	COVER ASM, TRANSFORMER & BLOWER (UNITS WITH HOT & COLD DRINKS)
6A.	33585	COVER ASM, TRANSFORMER & BLOWER (UNITS WITH HOT DRINKS ONLY)
7.	30773	SHIELD, FLUORESCENT LAMP
8.	27165	LAMP, FLUORESCENT, F15-T8/D
9.	30756	BRACKET, FLUORESCENT LAMP
10.	21956	BALLAST, 25 W.
11.	11749	NUT, 8-32 KEP, EXT LK WA, SCP
12.	05074	STARTER, FS-25
13.	22730	SCREW, 4-40 X 1/2, RH, SD, M
14.	00944	SOCKET, STARTER
15.	19510	WASHER, FLAT, .150 OD X 5/16 THK, NYLON
16.	22849	NUT, 4-40, KEP
17.	00052	SCREW, 6-32 X 3/8, RH M, SS
18.	00935	SOCKET, FLUORESCENT LAMP
19.	30777	CAP, END, FLUORESCENT LAMP
20.	33730	GUARD ASM, GROUNDS BUCKET
21.	11073	SCREW, 8-32 X 1/2, PH, M, PL
22.	30347	CABLE ASM, OVERFLOW, GROUNDS (INCLUDES ITEM 26)
23.	17784	CLAMP, 'P', 1", PLASTIC
24.	30835	BRACKET, OVERFLOW SWITCH, GROUNDS BUCKET
25.	01179	NUT, 6-32, TWIN-SPEED
26.	19509	SWITCH, FLOAT
27.	00784	COVER, INSULATION
28.	34106-1	FLOAT ASM, BROWN, W/10" LEAD
29.	03562	WASHER, FLAT, #6, SCP, SMALL
30.	00050	SCREW, 6-32 X 1, RH, SCP
31.	15573	BRACKET, OVERFLOW SWITCH
32.	33840	BRACKET, TIP, DRIP TRAY
33.	19126	SCREW, 6-32 X 1 1/4, RH, SCP
34.	34106	FLOAT ASM, BROWN, W/7" LEAD
35.	33376	SPOUT ASM, COMMODITY
36.	33664	BRACKET ASM, COMMODITY TUBE
37.	33419	BRACKET, SYRUP SPOUT (FOR UNITS WITH COLD DRINKS)
38.	14491	SCREW, 8-32 X 3/8, PH
49.	33418	SPOUT ASM, SYRUP (FOR UNITS WITH COLD DRINKS)



MISCELLANEOUS ITEMS INSIDE CABINET

1. 33513 HARNESS ASM, DOOR SWITCH (SOLD ONLY AS PART OF HARNESS ASM, MAIN)
2. 33434 COVER, DOOR, INTERLOCK SWITCH
3. 14806 SCREW, 8-32 X 3/8, HH, SCP, F, SD, WA
4. 33476 SWITCH, INTERRUPT, WITH BARRIER
5. 33645 KEY FOR SWITCH 33476 (ITEM 4)
6. 34640 COVER ASM, TRANSFORMER & BLOWER (UPDATED UNITS WITH HOT & COLD DRINKS)
- 6A. 34639 COVER, WATER FILTER (UPDATED UNITS WITH HOT & COLD DRINKS)
- 6B. 33637 COVER ASM, TRANSFORMER & BLOWER (ORIGINAL UNITS WITH HOT & COLD DRINKS)
- 6C. 33585 COVER ASM, TRANSFORMER & BLOWER (ALL UNITS WITH HOT DRINKS ONLY)
7. 30773 SHIELD, FLUORESCENT LAMP
8. 27165 LAMP, FLUORESCENT, F15-T8/D
9. 30756 BRACKET, FLUORESCENT LAMP
10. 21956 BALLAST, 25 W.
11. 11749 NUT, 8-32 KEP, EXT LK WA, SCP
12. 05074 STARTER, FS-25
13. 22730 SCREW, 4-40 X 1/2, RH, SD, M
14. 00944 SOCKET, STARTER
15. 19510 WASHER, FLAT, .150 OD X 5/16 THK, NYLON
16. 22849 NUT, 4-40, KEP
17. 00052 SCREW, 6-32 X 3/8, RH M, SS
18. 00935 SOCKET, FLUORESCENT LAMP
19. 30777 CAP, END, FLUORESCENT LAMP
20. 33730 GUARD ASM, GROUNDS BUCKET
21. 11073 SCREW, 8-32 X 1/2, PH, M, PL
22. 33504 CABLE ASM, OVERFLOW, GROUNDS (INCLUDES ITEM 26)
23. 17784 CLAMP, 'P', 1", PLASTIC
24. 33593 BRACKET ASM, OVERFLOW SWITCH, GROUNDS BUCKET
25. 01179 NUT, 6-32, TWIN-SPEED
26. 19509 SWITCH, FLOAT
27. 00784 COVER, INSULATION
28. 34106-1 FLOAT ASM, BROWN, W/10" LEAD
29. 29478 FLOAT, POLYPROPYLENE, BROWN
30. 03562 WASHER, FLAT, #6, SCP, SMALL
31. 00050 SCREW, 6-32 X 1, RH, SCP
32. 15573 BRACKET, OVERFLOW SWITCH
33. 19126 SCREW, 6-32 X 1 1/4, RH, SCP
34. 34755 HARNESS ASM, CABINET, WASTE SOLD-OUT
35. 34106 FLOAT ASM, BROWN, W/7" LEAD
36. 33788 SPOUT COMMODITY, MOLDED, HOT DRINKS
37. 34868 BRACKET, HOT DRINK SPOUT
38. 34867 BRACKET, COLD DRINK SPOUT (FOR UNITS WITH COLD DRINKS)
39. 34723 SPOUT ASM, SYRUP (FOR UNITS WITH COLD DRINKS)
40. 34870 BRACKET ASM, COMMODITY SPOUTS
41. 34717 BRACKET, COMMODITY SUPPORT
42. 34725 SCREW, 8-32 X 1/2, WING
43. 14491 SCREW, 8-32 X 3/8, PH

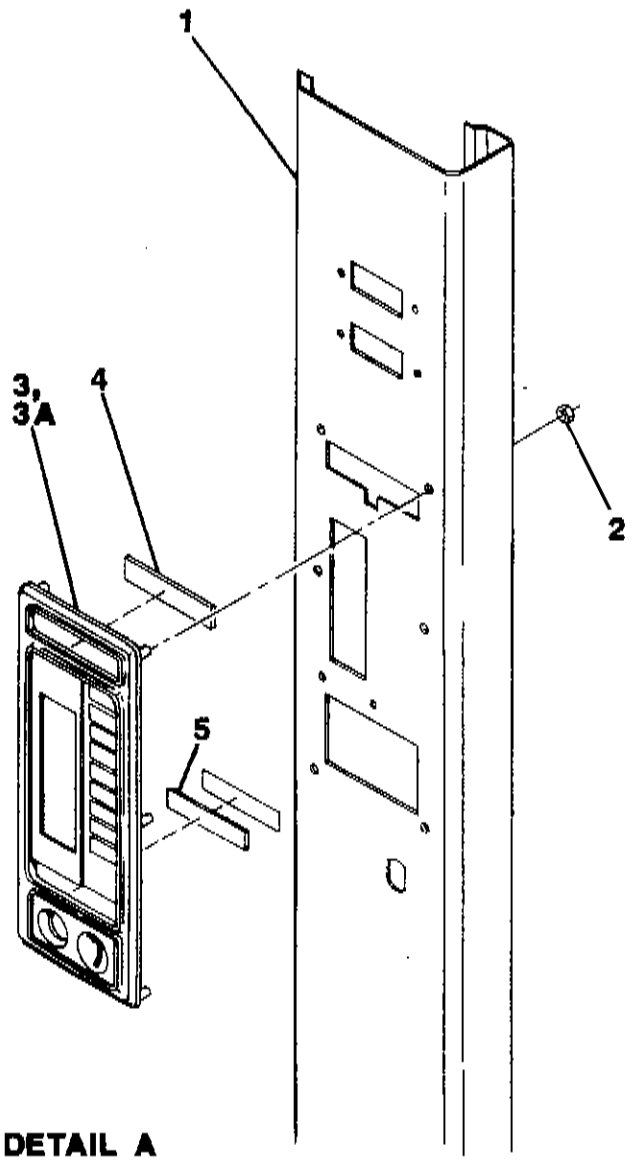


DOOR - EXTERIOR

1.	32698	DOOR ASSEMBLY (ONLY), WELDED
2.	33979	PANEL ASM, DOOR BOTTOM (PAINTED - NO LOGO)
2A.	33979-1	PANEL ASM, DOOR BOTTOM, GRAY, DUTCH
2B.	33979-2	PANEL ASM, DOOR BOTTOM, BROWN, DUTCH
2C.	33979-3	PANEL ASM, DOOR BOTTOM, BROWN, GERMAN
2D.	33979-4	PANEL ASM, DOOR BOTTOM, GRAY, GERMAN
2E.	33979-5	PANEL ASM, DOOR BOTTOM, GRAY, BLANK
3.	32865	TRIM, HORIZONTAL LOWER, BROWN
3A.	32865-1	TRIM, HORIZONTAL LOWER, GRAY
4.	14832	SCREW, 6-32 X 1/2, WELD
5.	32794	PLATE, COVER, UPPER
6.	32683	TRIM, TOP HEADER, BROWN
6A.	32683-1	TRIM, TOP HEADER, GRAY
7.	32800	BRACKET ASM, DIFFUSER
8.		DIFFUSER, SHADOW BOX - SEE SHADOW BOX DETAILS, 5.01 & 5.01A
9.	32790	PANEL ASM DOOR, LHD
10.	14806	SCREW, 8-32 X 3/8, HH, SCP, F, SD, WA
11.	29942	SCREW, 6 X 3/8, HH, SD
12.	32790-1	PANEL ASM, DOOR, RHD
13.	33674	ACTUATOR ASM, DOOR INTERLOCK, BARRIER SWITCH
14.	18443	NUT, 1/4 S-T, PAL
15.	32851	BEZEL, COIN INSERT, BROWN
15A.	32851-1	BEZEL, COIN INSERT, GRAY
16.	32858	LENS, DISPLAY, SMOKED
17.	32857	LENS, DISPLAY, CLEAR
18.	*33327	LABELS, COIN INSERT & REJECT SET, BROWN, ENGLAND
18A.	*33328	LABELS, COIN INSERT & REJECT SET, BROWN, DUTCH
18B.	*33328-5	LABELS, COIN INSERT & REJECT SET, GRAY, DUTCH
18C.	33329	LABEL, COIN INSERT & REJECT, BROWN (1 LABEL ONLY)
18D.	33329-1	LABEL, COIN INSERT & REJECT, GRAY, GERMAN
18E.	35039	LABEL, COIN INSERT & REJECT, BROWN, AUSTRALIAN
18F.	35039-1	LABEL, COIN INSERT & REJECT, GRAY, AUSTRALIA
18G.	35209	LABEL, COIN INSERT & REJECT, BROWN, CANADIAN
18H.	35209-1	LABEL, COIN INSERT & REJECT, GRAY, CANADIAN
18I.	35031	LABEL, COIN INSERT & REJECT, BROWN, USA
18J.	35031-1	LABEL, COIN INSERT & REJECT, GRAY, USA
18K.	33327-3	LABELS, COIN INSERT & REJECT SET, GRAY, ENGLAND
* NOTE:		ITEMS 18, 18A, 18B & 18K SOLD ONLY IN SETS - NOT SOLD INDIVIDUALLY.
19.	32682	BEZEL, COIN RETURN WELL, BROWN
19A.	33682-1	BEZEL, COIN RETURN WELL, GRAY
20.	11749	NUT, 8-32 KEP, EXT LK WA, SCP
21.	33953	CAM, LOCK, #76 KA/2K (INCLUDES 21A - 21D)
21A.		KEY (SOLD ONLY AS PART OF ITEM 21)
21B.		WASHER, HEX (SOLD ONLY AS PART OF ITEM 21)
21C.		WASHER (SOLD ONLY AS PART OF ITEM 21)
21D.		NUT (SOLD ONLY AS PART OF ITEM 21)
21E.	34058	LOCK & CAM ASM, VAN
21F.	35258	KEY FOR VAN LOCK
22.	33008	WASHER, BACK-UP KEY LOCK
23.	32812	CATCH, DOOR

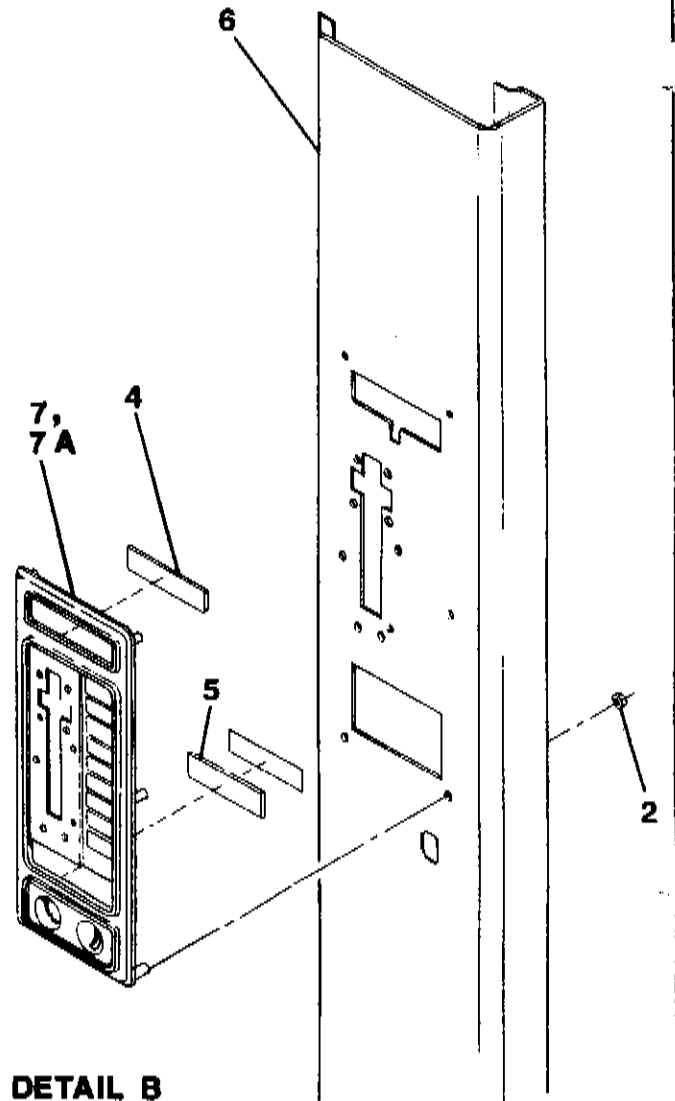
NOTE: DETAILS A & B: SEE MANUAL PAGE 3.02

**GYRO-VEND**



**DETAIL A**

**MARS CARD READER**

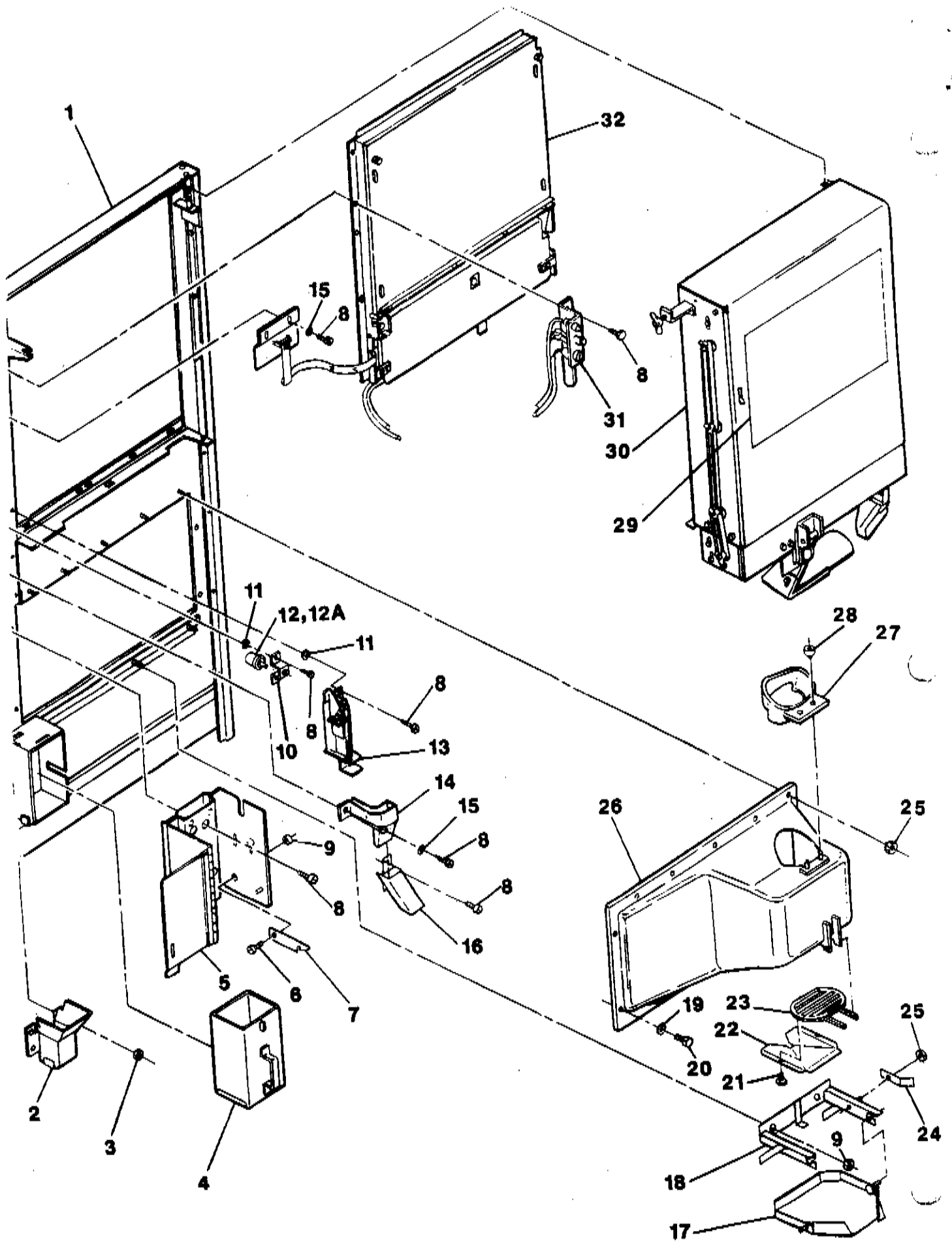


**DETAIL B**



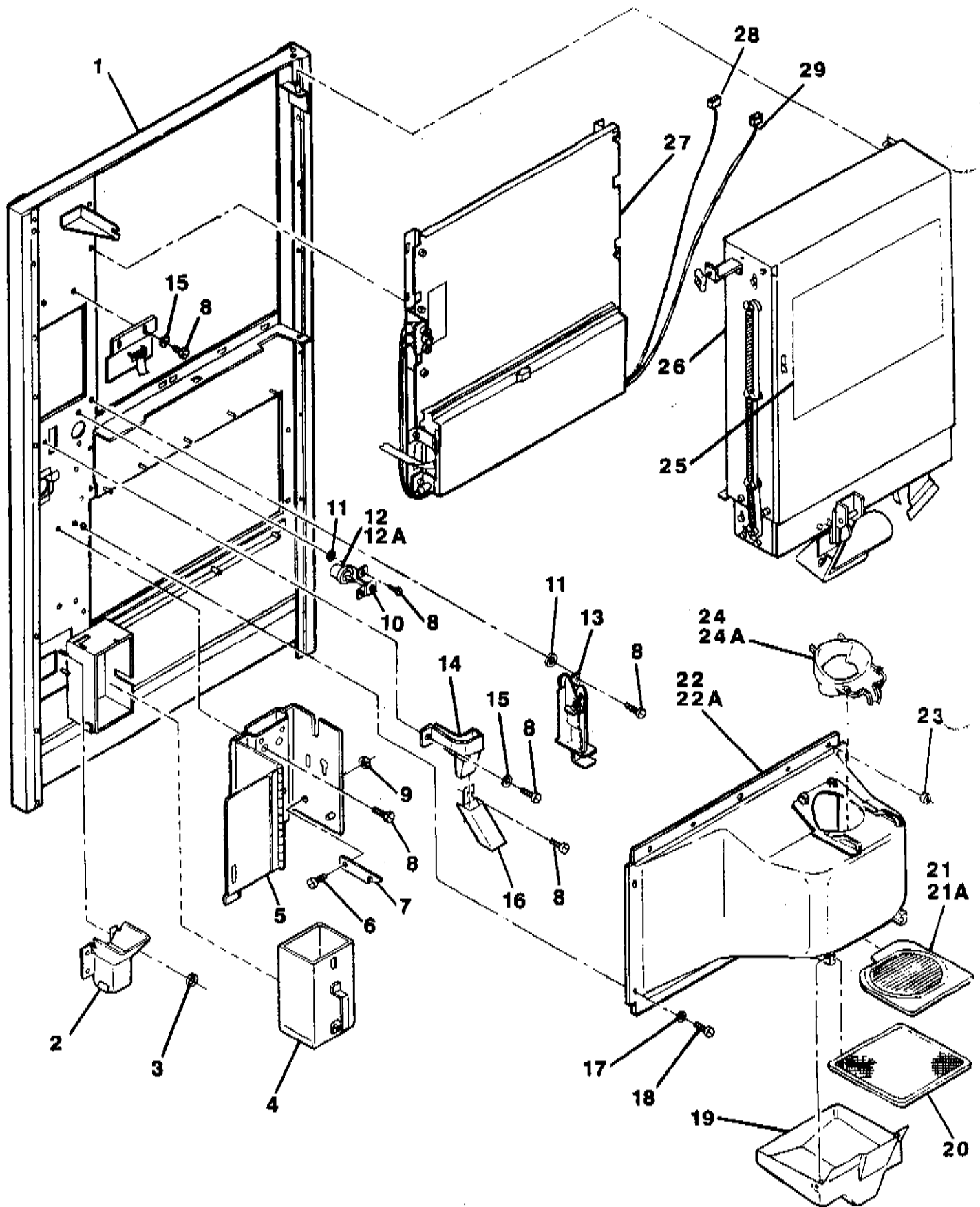
DOOR PARTS FOR GYROVEND AND MARS CARD READER  
(OPTIONAL)

- 1. 33843 PANEL ASM, DOOR, RHD, GIROVEND
- 2. 18443 NUT, 1/4 S-T, PAL
- 3. 33844 BEZEL, COIN INSERT, BROWN, GIROVEND
- 3A. 33844-1 BEZEL, COIN INSERT, GRAY, GIROVEND
- 4. 32858 LENS, DISPLAY, SMOKED
- 5. 32857 LENS, DISPLAY, CLEAR
- 6. 33909 PANEL ASM, DOOR, RHD, MARS CARD READER
- 7. 33630 BEZEL, COIN INSERT, BROWN, MARS CARD READER
- 7A. 33630-1 BEZEL, COIN INSERT, GRAY, MARS CARD READER



DOOR - INTERIOR

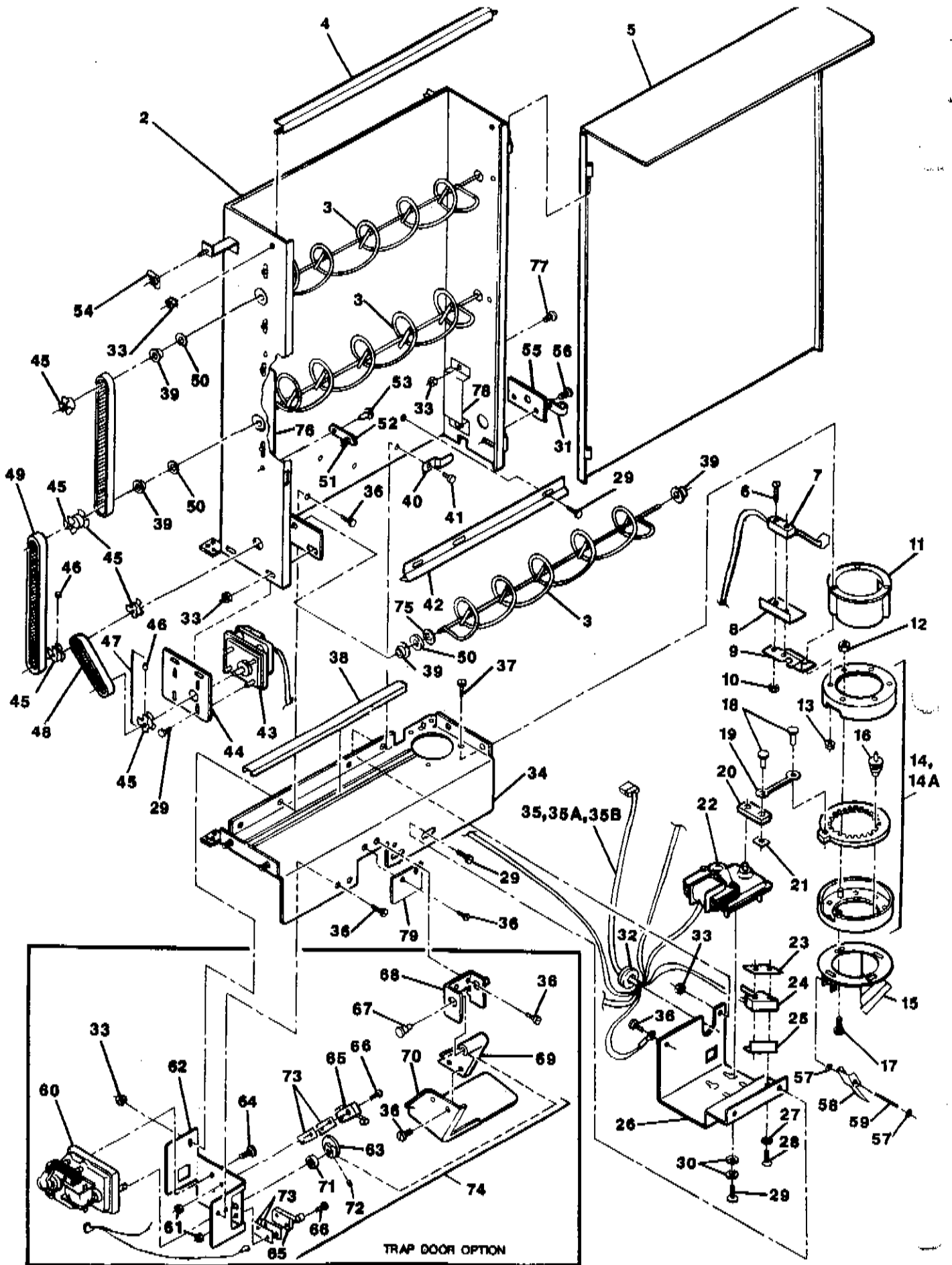
1.	32698	DOOR ASM (ONLY) WELDED
2.	33614	CUP ASM, COIN RETURN
3.	18443	NUT, 1/4 S-T, PAL
4.	600179-1	BOX ASM, COIN, WITH HANDLE
5.	32802	HOUSING ASM, COIN MECH
6.	14491	SCREW, 8-32 X 3/8, PH
7.	27549	LATCH, COIN CHANGER HOUSING
8.	14806	SCREW, 8-32 X 3/8, HH, SCP, F, SD WA
9.	11749	NUT, 8-32 KEP, EXT LK WA, SCP
10.	201660	BRACKET, COIN RETURN
11.	19152	WASHER, NYLOMATIC N6324
12.	440289-1	BUTTON, COIN RETURN, BROWN
12A.	440289	BUTTON, COIN RETURN, GRAY
13.	33377	BRACKET ASM & COIN RETURN ASM
14.	33564	CHUTE, COIN
15.	00816	WASHER, FLAT #10, SCP
16.	32605	CHUTE ASM COIN, WELDED
17.	32979	TRAY ASM, DRIP
18.	32975	BRACKET ASM, DRIP TRAY
19.	00961	WASHER, FLAT #8, SCP
20.	31333	SCREW, 8-32 X 1/2, HH, F, SCP
21.	29942	SCREW, 6 X 3/8, HH, SD
22.	33841	PAN, ANTI-SPLASH, DRIP TRAY
23.	32886	GRILL, CUPWELL, WITH SCREW
24.	33671	CATCH, DRIP TRAY
25.	11745	NUT, 6-32 KEP, LK WA, SCP
26.	32879	CUPWELL ASM
27.	32856	CATCH ASM, CUP
28.	05625	NUT, 8-32 KNURLED, AL
29.	33986	DECAL, SCHEMATIC
30.		DISPENSER ASM, CUP, COMPLETE (SEE MANUAL PAGE 4.01)
31.		SWITCH ASM MODE, DISCOUNT, SECURITY (SEE MANUAL PAGE 5.01)
32.		BOX ASM, SHADOW, COMPLETE (SEE MANUAL PAGE 5.01)



3.03A

DOOR - INTERIOR

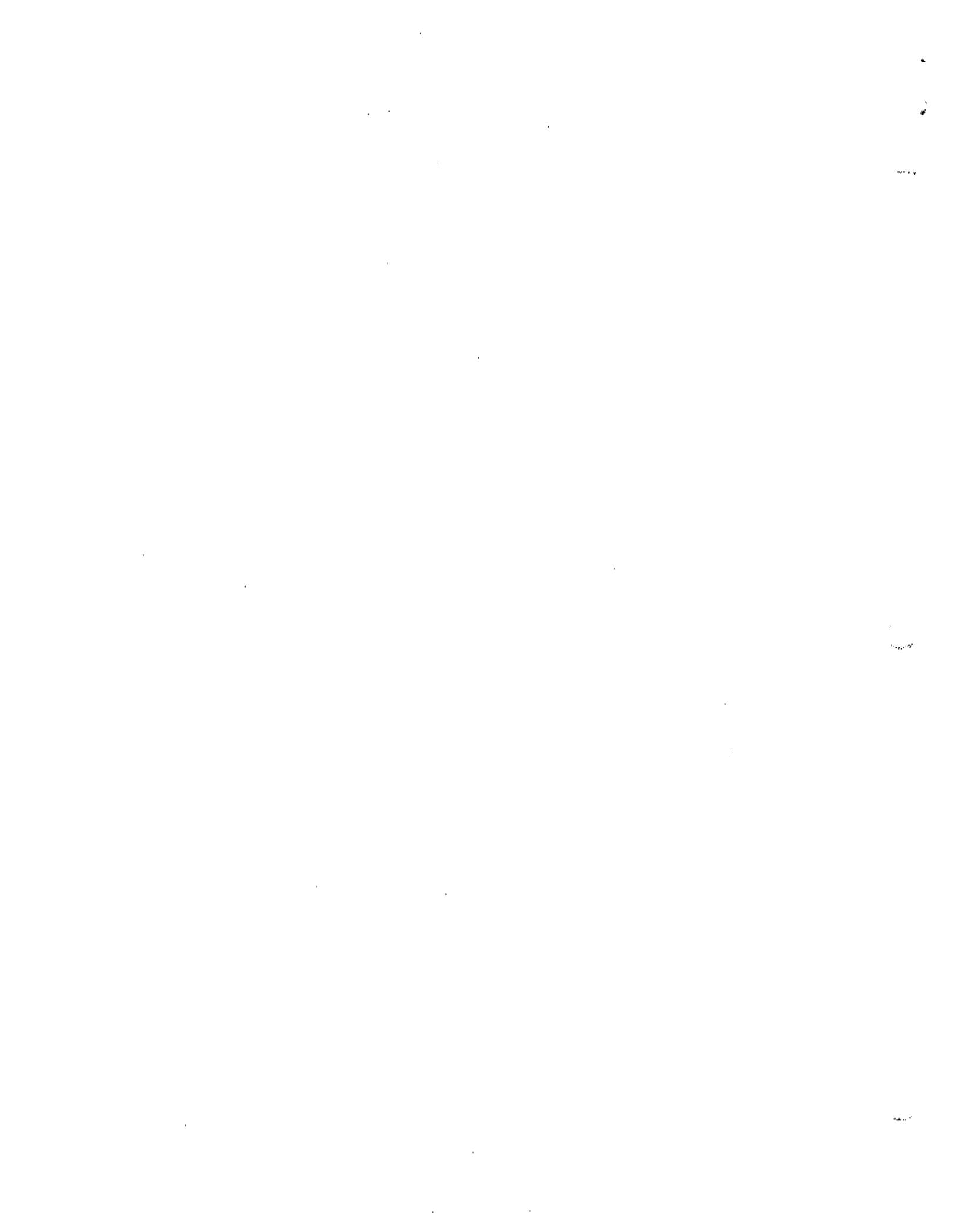
1.	34861	DOOR ASM (ONLY) WELDED
2.	33814	CUP ASM, COIN RETURN
3.	18443	NUT, 1/4 S-T, PAL
4.	600179-1	BOX ASM, COIN, WITH HANDLE
5.	32802	HOUSING ASM, COIN MECH
6.	14491	SCREW, 8-32 X 3/8, PH
7.	27549	LATCH, COIN CHANGER HOUSING
8.	14806	SCREW, 8-32 X 3/8, HH, SCP, F, SD WA
9.	11749	NUT, 8-32 KEP, EXT LK WA, SCP
10.	34911	BRACKET, COIN RETURN
11.	19152	WASHER, NYLOMATIC N6324
12.	440289-1	BUTTON, COIN RETURN, BROWN
12A.	440289	BUTTON, COIN RETURN, GRAY
13.	33377	BRACKET ASM & COIN RETURN ASM
14.	33564	CHUTE, COIN
15.	00816	WASHER, FLAT #10, SCP
16.	32805	CHUTE ASM COIN, WELDED
17.	00961	WASHER, FLAT #8, SCP
18.	14803-2	SCREW 8-32 X 1/2, HH, F, PL
19.	34663	TRAY ASM, DRIP, VACUUM-FORMED
20.	14189	SCREEN
21.	34669	GRILL, CUPWELL, BROWN
21A.	34669-1	GRILL, CUPWELL, GRAY
22.	34713	CUPWELL ASM, BROWN
22A.	34713-1	CUPWELL ASM, GRAY
23.	11745	NUT, 6-32 KEP, LK WA, SCP
24.	34680	CATCH, CUP, BROWN
24.	34680-1	CATCH, CUP, GRAY
25.	33986	DECAL, SCHEMATIC
26.		DISPENSER ASM, CUP, COMPLETE (SEE MANUAL PAGE 4.01A)
27.		BOX ASM, SHADOW, COMPLETE (SEE MANUAL PAGE 5.01A)
28.	34751	HARNESS ASM, DOOR, CONTROL SWITCHES
29.	34750	HARNESS ASM, DOOR, INTERCONNECT



4.01A

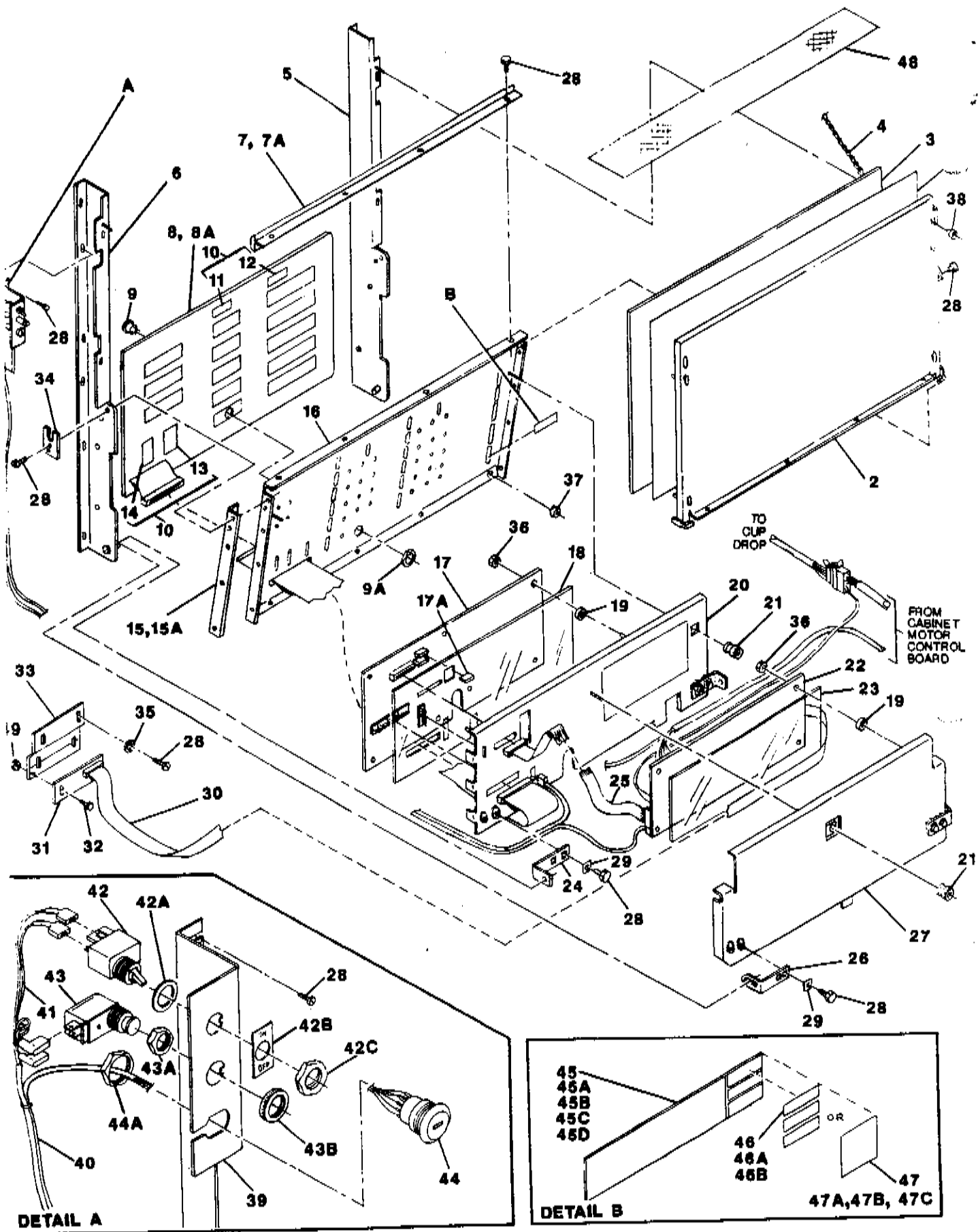
CUP DISPENSER ASSEMBLY AND TRAP DOOR OPTION

1.	33267	DISPENSER ASM, CUP, 7 OZ. TALL (INCLUDES ITEMS 1-13, 14, 15, 16-56)
1A.	33445	DISPENSER ASM, CUP, 8 1/4 OZ. (INCLUDES ITEMS 1-13, 14A, 15A, 16-56)
2.	32785	WRAPPER (ONLY) WELDED ASM
3.	31101	SPIRAL, CUP
4.	18557-1	BRACKET ASM, CUP DISPENSER
5.	31100	DOOR ASM, CUP WRAPPER
6.	23369	SCREW, 4-40 X 5/8 PH M NYLON
7.	23371	SWITCH ASM, SOLD-OUT (WITH ACTUATOR)
8.	22728	INSULATION, SWITCH
9.	25990	BRACKET, SOLD-OUT SWITCH
10.	22849	NUT, 4-40 KEP
11.	16701	THROAT, CUP DISPENSER
12.		NUT (PART OF ITEMS 14 & 14A)
13.	11750	NUT, 10-32 KEP, EXT. LOCK WASHER, SCP
14.	20108	DISPENSER, CUP DROP 7-C (7 OZ. TALL CUP)
14A.	16012	DISPENSER, CUP DROP, 7H (8 1/4 OZ. CUP)
15.	34398	CHUTE ASM
16.	19361	GEAR, WORM (PART OF ITEMS 14 & 14A)
17.		SCREW (PART OF ITEMS 14 & 14A)
18.		PIN, WELD (PART OF ITEM 19)
19.	16657	ROD, CONNECTING
20.	15450	ARM, MOTOR
21.	04112	NUT, 3/16 PUSH-ON, TNN
22.	16038	MOTOR, CUP DROP, 30 RPM
23.	01179	NUT, 6-32, TWIN-SPEED
24.	17081	SWITCH, CUP DROP MOTOR
25.	17049	INSULATION, SWITCH
26.	16671	BRACKET, CUP MOTOR & SWITCH
27.	00826	WASHER, FLAT #6, SCP
28.	05688	SCREW, 6-32 X 1 1/4 RH, M
29.	14487	SCREW, 8-32 X 1/4, PH
30.	00961	WASHER, FLAT #8, SCP
31.	17588	CLAMP, 'P', 1/2-6B, PLASTIC
32.	26539	GROMMET, 5/8 X 7/8 (PART OF ITEM 35)
33.	11749	NUT, 8-32 KEP, EXT LOCK WASHER, SCP
34.	31109	BASE ASM, WELDED
35.	33522	HARNESS ASM, CUP DISPENSER
35A.	34770	HARNESS ASM CUP DISPENSER (PLUG TO CABINET)
35B.	34975	HARNESS ASM, CUP DISPENSER (PLUG TO CABINET-TUV)
36.	14806	SCREW, 8-32 X 3/8, HH, F, SCP SD WA
37.	16337	SCREW, 10-32 X 2 1/4, SCP
38.	31174	TRACK, SNAP-ON
39.	16058-9	NYLINER, 4L1FF
40.	18173	GUIDE, CUP, BOTTOM
41.	31333	SCREW, 8-32 X 1/2, HH, F, SCP
42.	31177	GUIDE, CUP
43.	12203	MOTOR, SPIRAL
44.	28470	BRACKET, SPIRAL MOTOR
45.	10215	PULLEY (ONLY)
46.	14807	SCREW, 10-32 X 3/16 SK KN
47.	12493	PULLEY ASM, CUP FEED (INCLUDES ITEMS 45 & 46)
48.	10213	BELT, TIMING, 10' LONG
49.	13795	BELT, TIMING, 22' LONG





50.	28521	WASHER, 11/16 X 1/4 X 1/16, NYLON
51.	14435	SPRING, DOOR LATCH
52.	16689	LATCH, DOOR
53.	16769	RIVET, SHOULDER
54.	06888	NUT, 8-32 WING, ZINC WA BASE
55.	26060	PLATE, CUP WRAPPER ADAPTER
56.	14491	SCREW, 8-32 X 3/8, PH
57.	26361	NUT, 1/8, PUSH-ON, PAL
58.	33436	DAMPER, CUP CHUTE
59.	32952	PIN, HINGE, CUP DAMPER
60.	33698	MOTOR, DRIVE, TRAP DOOR
61.	01534	NUT, 4-40 HEX, BRASS
62.	32927	BRACKET, DRIVE MOTOR, TRAP DOOR
63.	32913	CAM, TRAP DOOR, DRIVE MECH
64.	18442	SCREW, 8-32 X 1 1/4, PH
65.	33954	SWITCH, TRAP DOOR MOTOR 10 AMP
66.	22850	SCREW, 4-40 X 5/8, RH, M
67.	32881	SCREW, 8-32 X 3/8, BRASS, PIVOT RETAINER
68.	32965	HINGE, TRAP DOOR
69.	33217	DOOR ASM TRAP, TOP WELDED
70.	33608	DOOR, TRAP, BOTTOM
71.	34634	SPACER, TRAP, BOTTOM
72.	21459	SCREW, 8-32 X 1/4, SK SET
73.	34132	INSULATION, SWITCH
74.	33983	KIT, TRAP DOOR, CUP DISPENSER (OPTIONAL) (INCLUDES ITEMS 33, 36, 60-73)
75.	10229	WASHER, FLAT, 1/4 CD
76.	16659	PLATE, ADJUSTING, CUP SPIRAL
77.	25795	SCREW, 8-32 X 5/16, PH,SCP
78.	25881	GUIDE, CUP
79.	33457	PLATE, FILLER, CUP WRAPPER

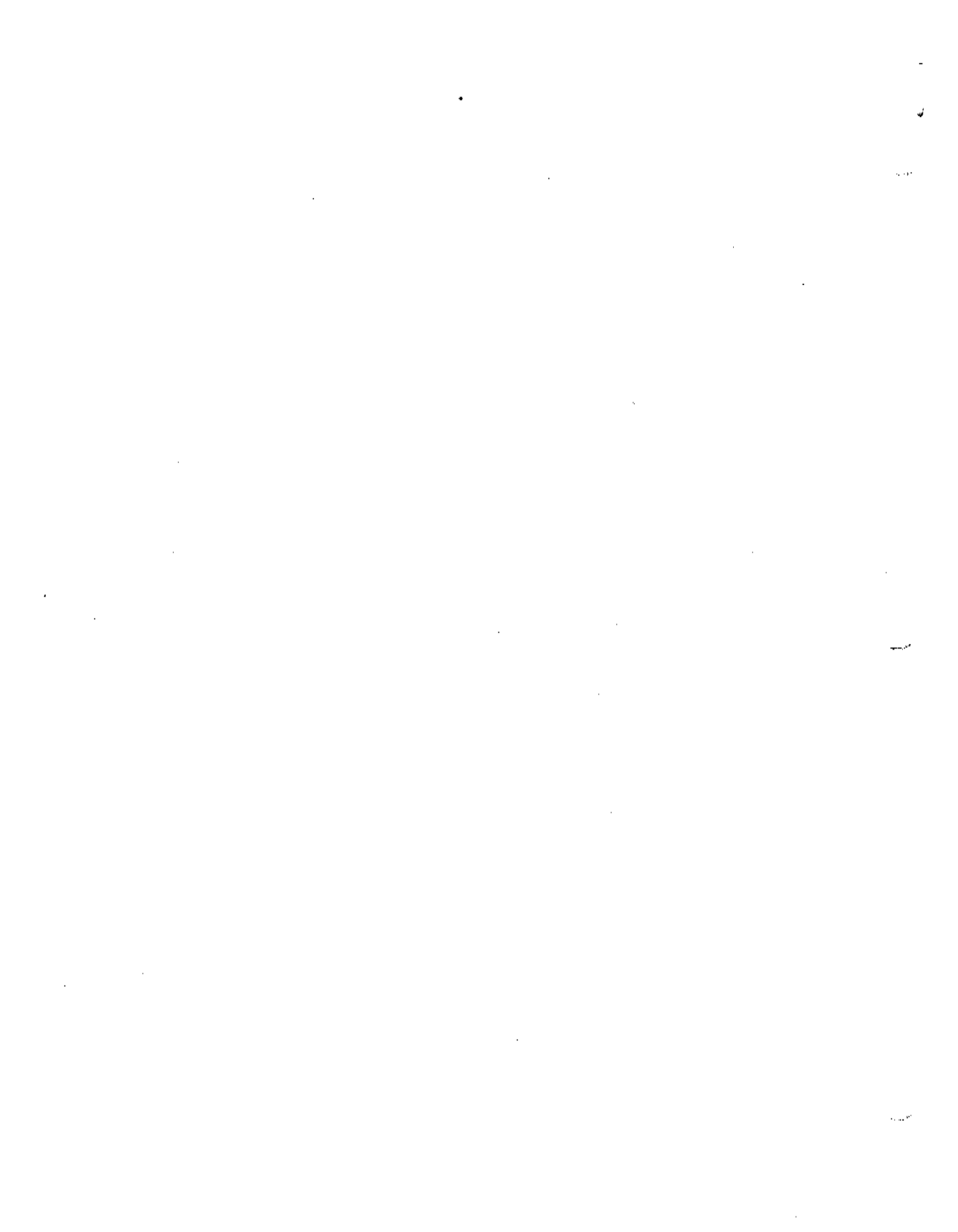


SHADOW BOX ASSEMBLY AND ELECTRONIC BOARDS

- 1. 33467-2     ARTWORK, MUG & DONUT PICTURE (NO LETTERING)
- 2. 32999     PANEL ASM, SHADOW BOX BACK
- 3. 33918-1    COVER, ARTWORK, ACRYLIC
- 4. 33752     CHAIN, RESTRAINT, SHADOW BOX
- 5. 33000     JAMB ASM, SHADOW BOX, LHD
- 6. 33001     JAMB ASM, SHADOW BOX, RHD
- 7. 32866     TRIM, HORIZONTAL, UPPER SEL. PANEL, BROWN
- 7A. 32866-1   TRIM, HORIZONTAL, UPPER SEL. PANEL, GRAY
- 8. 32850     PANEL ASM, SELECTOR SWITCH, BROWN
- 8A. 32850-1   PANEL ASM, SELECTOR SWITCH, GRAY
- 9. 32309     SWITCH, KEY, CARAFE
- 9A.         NUT, SWITCH, KEY, CARAFE (PART OF ITEM 9) (NOT SOLD SEPARATELY)
- 10. 33942    LABELS, OPERATION, BROWN, ENGLISH LANGUAGE (INCLUDES ITEMS 11-14)
- 10A. 33943    LABELS, OPERATION, BROWN, DUTCH LANGUAGE (INCLUDES ITEMS 11-14)
- 10B. 33944    LABELS, OPERATION, GRAY, DUTCH LANGUAGE (INCLUDES ITEMS 11-14)
- 10C. 33945    LABELS, OPERATION, BROWN, GERMAN LANGUAGE (INCLUDES ITEMS 11-14)
- 11.         LABEL, MORE (SEE NOTE BELOW ITEM 14)
- 12.         LABEL, STRONGER (SEE NOTE BELOW ITEM 14)
- 13.         LABEL, START, GREEN (SEE NOTE BELOW ITEM 14)
- 14.         LABEL, CANCEL, RED (SEE NOTE BELOW ITEM 14)

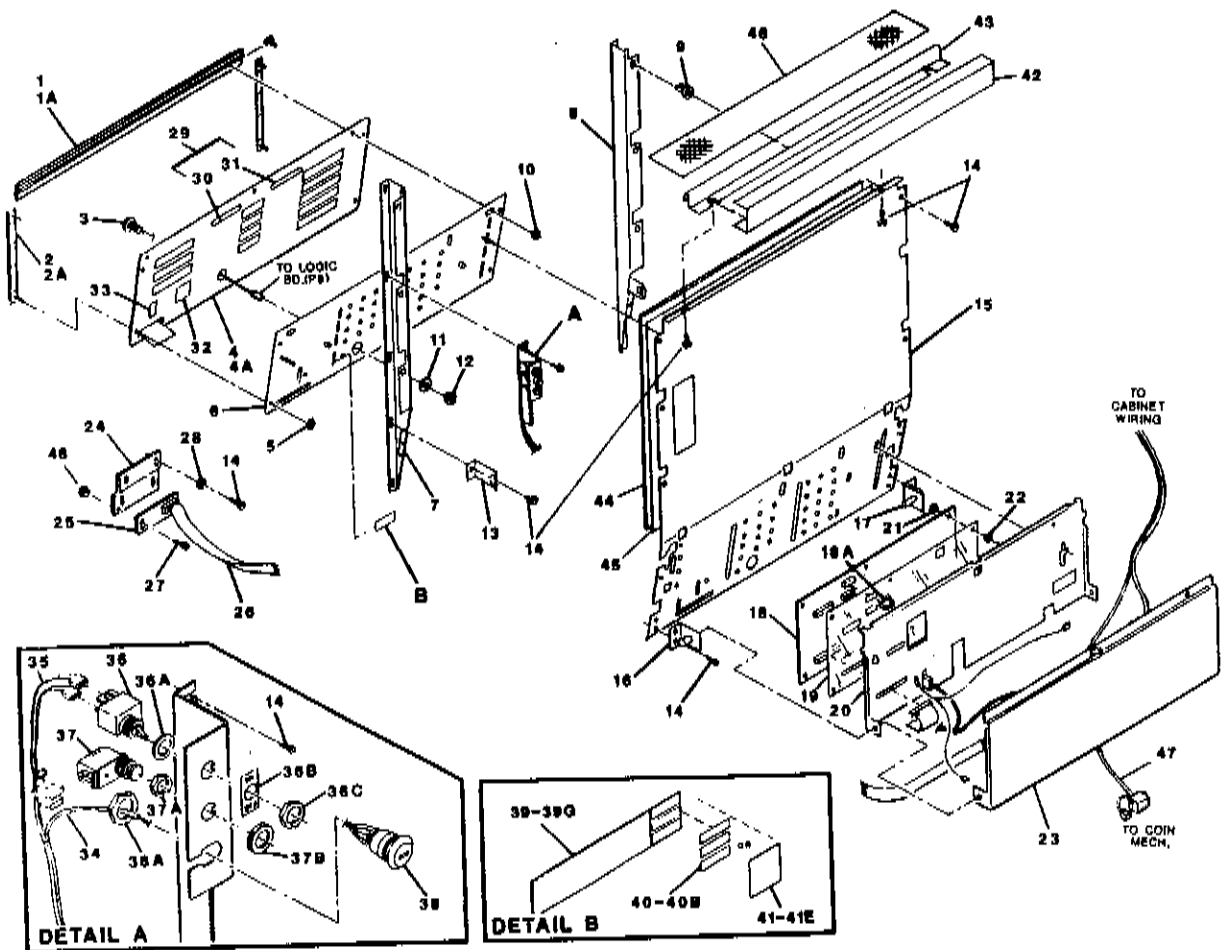
NOTE:    ITEMS 11, 12, 13, 14 ARE NOT SOLD INDIVIDUALLY - THEY CAN ONLY BE ORDERED AS A PART OF LABEL SETS: ITEMS 10, 10A, 10B OR 10C.    LABELS 11 & 12 ARE BROWN EXCEPT FOR SET 10B, WHERE THEY ARE GRAY.    LABEL 13 IS GREEN AND LABEL 14 IS RED IN EACH SET.

- 15. 32869     TRIM, VERTICAL, SELECTOR PANEL, BROWN
- 15A. 32869-1   TRIM, VERTICAL, SELECTOR PANEL, GRAY
- 16. 32796     PANEL ASM, SELECTOR BOARD
- 17. 32241     BOARD, LED MEMBRANE SWITCH PANEL
- 17A. 33987     CHIP, DUAL IN-LINE PLUG, LED BOARD (AMP #435704-8)
- 18. 32296-1    PLATE, INSULATION, LED BOARD
- 19. 19152     WASHER, NYLOMATIC N6324
- 20. 33002     PANEL ASM, LED BOARD MOUNTING
- 21. 04862     NUT, 6-32, KNURLED, THUMB
- 22. 31800     BOARD, CONTROL, MARS
- 23. 32296     PLATE, INSULATION, CONTROL BOARD
- 24. 32998     BRACKET, HINGE, LED MOUNTING PANEL
- 25. 32919     CABLE ASM, RIBBON, CONTROL-LED
- 26. 32545     BRACKET, PANEL, CONTROL BOARD
- 27. 33003     PANEL ASM, CONTROL BOARD MOUNTING
- 28. 14806     SCREW, 8-32 X 3/8, HH, SCP, F SD WA
- 29. 33978     WASHER, LOCK, #10, INTERNAL STAR, SQUARE
- 30. 32918     CABLE ASM, RIBBON, CONTROL-DISPLAY
- 31. 31801     BOARD, DISPLAY, MARS
- 32. 17886     SCREW, 4-40 X 5/16, PH
- 33. 33010     BRACKET ASM, DISPLAY BOARD WITH INSULATION
- 34. 31919     PLATE, HINGE PIN, SHADOW BOX
- 35. 00816     WASHER, FLAT #10, SCP
- 36. 19927     NUT, 6-32 LOCK, NY INSERT
- 37. 11745     NUT, 6-32 KEP, LOCK WA, SCP
- 38. 05625     NUT, 8-32 KNURLED, AL
- 39. 32524     BRACKET, SWITCH, MODE/DISCOUNT/SECURITY
- 40. 33126     HARNESS ASM, SECURITY KEY SWITCH
- 41. 33127     HARNESS ASM, MODE/DISCOUNT



42.	17760	SWITCH, FLUSH, TOGGLE (PART OF ITEM 41)
42A.		RING, SWITCH (PART OF ITEM 42 - NOT SOLD SEPARATELY)
42B.	27745	PLATE, SWITCH, ON-OFF
42C.		NUT, SWITCH (PART OF ITEM 42 - NOT SOLD SEPARATELY)
43.	14572	SWITCH, CYCLE, PUSH-BUTTON (PART OF ITEM 41)
43A.		NUT, SWITCH (PART OF ITEM 43 - NOT SOLD SEPARATELY)
43B.		RING, SWITCH (PART OF ITEM 43 - NOT SOLD SEPARATELY)
44.	32307	SWITCH, KEY, SECURITY (PART OF ITEM 40)
44A.		NUT, SWITCH (PART OF ITEM 44 - NOT SOLD SEPARATELY)
45.	*33023	LABELS, SELECTION, COLD DRINK SET, BROWN ENGLISH LANGUAGE
45A.	*33024	LABELS, SELECTION, HOT DRINK SET, BROWN ENGLISH LANGUAGE
45B.	*33022	LABELS, SELECTION, HOT & COLD DRINK SET, BROWN DUTCH LANGUAGE
45C.	*33022-1	LABELS, SELECTION, HOT & COLD DRINK SET, GRAY DUTCH LANGUAGE
45D.	*33025	LABELS, SELECTION, HOT & COLD DRINK SET, BROWN GERMAN LANGUAGE
46.	*33325	LABELS, MULTI-PRICE SET, 1P TO 54P, BROWN, ENGLAND
46A.	*33325-1	LABELS, MULTI-PRICE SET 55P TO L 1.08, BROWN ENGLAND
46B.	*33326	LABELS, MULTI-PRICE SET, BROWN, GERMANY
47.	*33332	LABELS, SINGLE PRICE SET, BROWN, ENGLAND
47A.	*33323	LABELS, SINGLE PRICE SET, BROWN, HOLLAND
47B.	*33323-3	LABELS, SINGLE PRICE SET, GRAY, HOLLAND
47C.	*33324	LABELS, SINGLE PRICE SET, BROWN, GERMANY
48.	33006	DIFFUSER, SHADOW BOX
49.	01534	NUT, 4-40, HEX

\* NOTE: LABELS SOLD ONLY IN SETS AS NOTED - NOT SOLD INDIVIDUALLY.



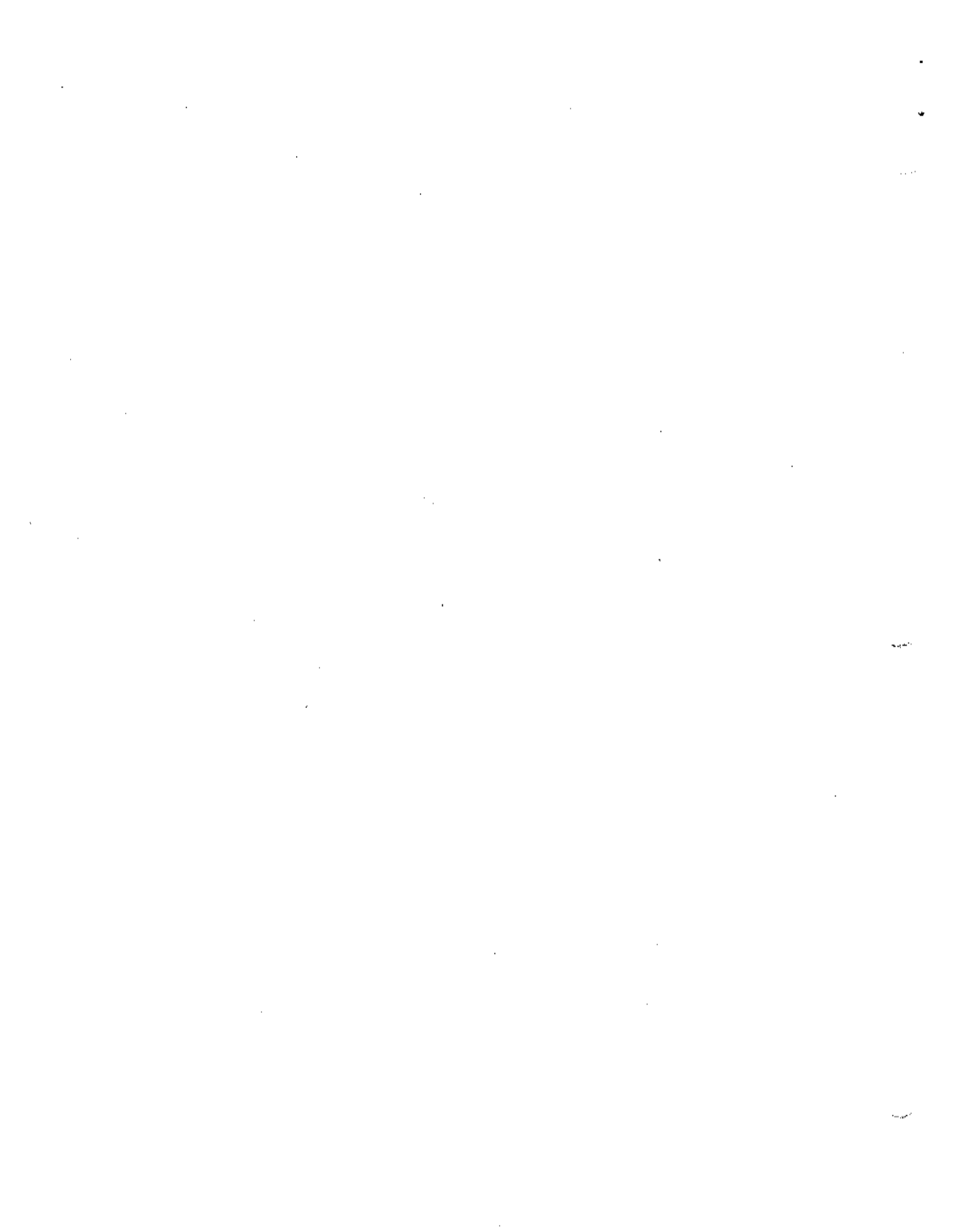
5.01A

SHADOW BOX ASSEMBLY AND ELECTRONIC BOARDS

1.	34518	TRIM, HORIZONTAL, UPPER, BROWN
1A.	34518-1	TRIM, HORIZONTAL, UPPER, GRAY
2.	34519	TRIM, VERTICAL, SELECTOR PANEL, BROWN
2A.	34519-1	TRIM, VERTICAL, SELECTOR PANEL, GRAY
3.	34111	SWITCH ASM, CARAFE KEY, SMALL
4.	32850	PANEL ASM, SELECTOR SWITCH, BROWN
4A.	32850	PANEL ASM, SELECTOR SWITCH, GRAY
5.	31640	NUT, PAL., 185/190 DIA. STUD
6.	34816	PANEL ASM, MEMBRANE SWITCH
7.	34731-1	JAMB, SHADOW BOX, RHD, BROWN
7A.	34731-1	JAMB, SHADOW BOX, RHD, GRAY
8.	34731-1	JAMB, SHADOW BOX, LHD, BROWN
8A.	34731-1	JAMB, SHADOW BOX, LHD, GRAY
9.	34782	FASTENER, #8 SCREW GROMMET
10.	11745	NUT, 9-32 KEP, LK WA, PL
11.	06902	WASHER, FLAT, 3/4 X 17/32 X 1/32, SS
12.		NUT, SWITCH, KEY, CARAFE (PART OF ITEM 3) (NOT SOLD SEPARATELY)
13.	34737	CLIP, CONTROL PANEL
14.	14806	SCREW, 8-32 X3/8, HH, ZP, F, SD WA
15.	34728	PANEL, SHADOW BOX BACK
16.	34791	BRACKET ASM, HINGE, RHD
17.	34788	BRACKET ASM, HINGE, LHD
18.	32241	BOARD, LED MEMBRANE SWITCH PANEL
18A.	33987	CHIP, DUAL IN-LINE PLUG, LED BOARD (AMP #435704-8)
19.	32296-1	PLATE, INSULATION, LED BOARD
20.	34818	PANEL ASM, LED BOARD MOUNTING
21.	19927	NUT, 6-32 LOCK, NY INSERT
22.	19152	WASHER, NYLOMATIC N6324
23.	34789	PANEL ASM, CONTROL BOARD MOUNTING
24.	33010	BRACKET ASM, DISPLAY BOARD WITH INSULATION
25.	31801	BOARD, DISPLAY, MARS
26.	32918	CABLE ASM, RIBBON, CONTROL-DISPLAY
27.	17686	SCREW, 4-40 X 5/16, PH
28.	00816	WASHER, FLAT #10, SCP
29.	33942	LABELS, OPERATION, BROWN, ENGLISH LANGUAGE (INCLUDES ITEMS 30-33)
29A.	33942-1	LABELS, OPERATION, GRAY, ENGLISH LANGUAGE (INCLUDES ITEMS 30-33)
29B.	33943	LABELS, OPERATION, BROWN, DUTCH LANGUAGE (INCLUDES ITEMS 30-33)
29C.	33944	LABELS, OPERATION, GRAY, DUTCH LANGUAGE (INCLUDES ITEMS 30-33)
29D.	33945	LABELS, OPERATION, BROWN, GERMAN LANGUAGE (INCLUDES ITEMS 30-33)
29E.	33945-1	LABELS, OPERATION, GRAY, GERMAN LANGUAGE (INCLUDES ITEMS 30-33)
30.		LABEL, MORE (SEE NOTE BELOW ITEM 33)
31.		LABEL, STRONGER (SEE NOTE BELOW ITEM 33)
32.		LABEL, START, GREEN (SEE NOTE BELOW ITEM 33)
33.		LABEL, CANCEL, RED (SEE NOTE BELOW ITEM 33)

NOTE: ITEMS 30, 31, 32, & 33 ARE NOT SOLD INDIVIDUALLY - THEY CAN ONLY BE ORDERED AS A PART OF LABEL SETS: ITEMS 29, 29A, 29B, 29C, 29D OR 29E. LABELS 30 & 31 ARE THE COLOR OF THE SET (BROWN OR GRAY) AS NOTED. LABEL 32 IS GREEN AND LABEL 33 IS RED IN EACH SET.

34.	33126	SWITCH ASM, SECURITY KEY
35.	33127	HARNESS ASM, MODE/DISCOUNT
36.	17760	SWITCH, FLUSH, TOGGLE (PART OF ITEM 35)
36A.		RING, SWITCH (PART OF ITEM 36 - NOT SOLD SEPARATELY)
36B.	27745	PLATE, SWITCH, ON-OFF
36C.		NUT, SWITCH (PART OF ITEM 36 - NOT SOLD SEPARATELY)
37.	14572	SWITCH, CYCLE, PUSH-BUTTON (PART OF ITEM 35)
37A.		NUT, SWITCH (PART OF ITEM 37 - NOT SOLD SEPARATELY)
37B.		RING, SWITCH (PART OF ITEM 37 - NOT SOLD SEPARATELY)
38.	32307	SWITCH, KEY, SECURITY (PART OF ITEM 34)
38A.		NUT, SWITCH (PART OF ITEM 38 - NOT SOLD SEPARATELY)
39.	*33023	LABELS, SELECTION, COLD DRINK SET, BROWN ENGLISH LANGUAGE
39A.	*33023-1	LABELS, SELECTION, COLD DRINK SET, GRAY ENGLISH LANGUAGE
39B.	*33024	LABELS, SELECTION, HOT DRINK SET, BROWN ENGLISH LANGUAGE
39C.	*33024-1	LABELS, SELECTION, HOT DRINK SET, GRAY ENGLISH LANGUAGE
39D.	*33022	LABELS, SELECTION, HOT & COLD DRINK SET, BROWN DUTCH LANGUAGE
39E.	*33022-1	LABELS, SELECTION, HOT & COLD DRINK SET, GRAY DUTCH LANGUAGE

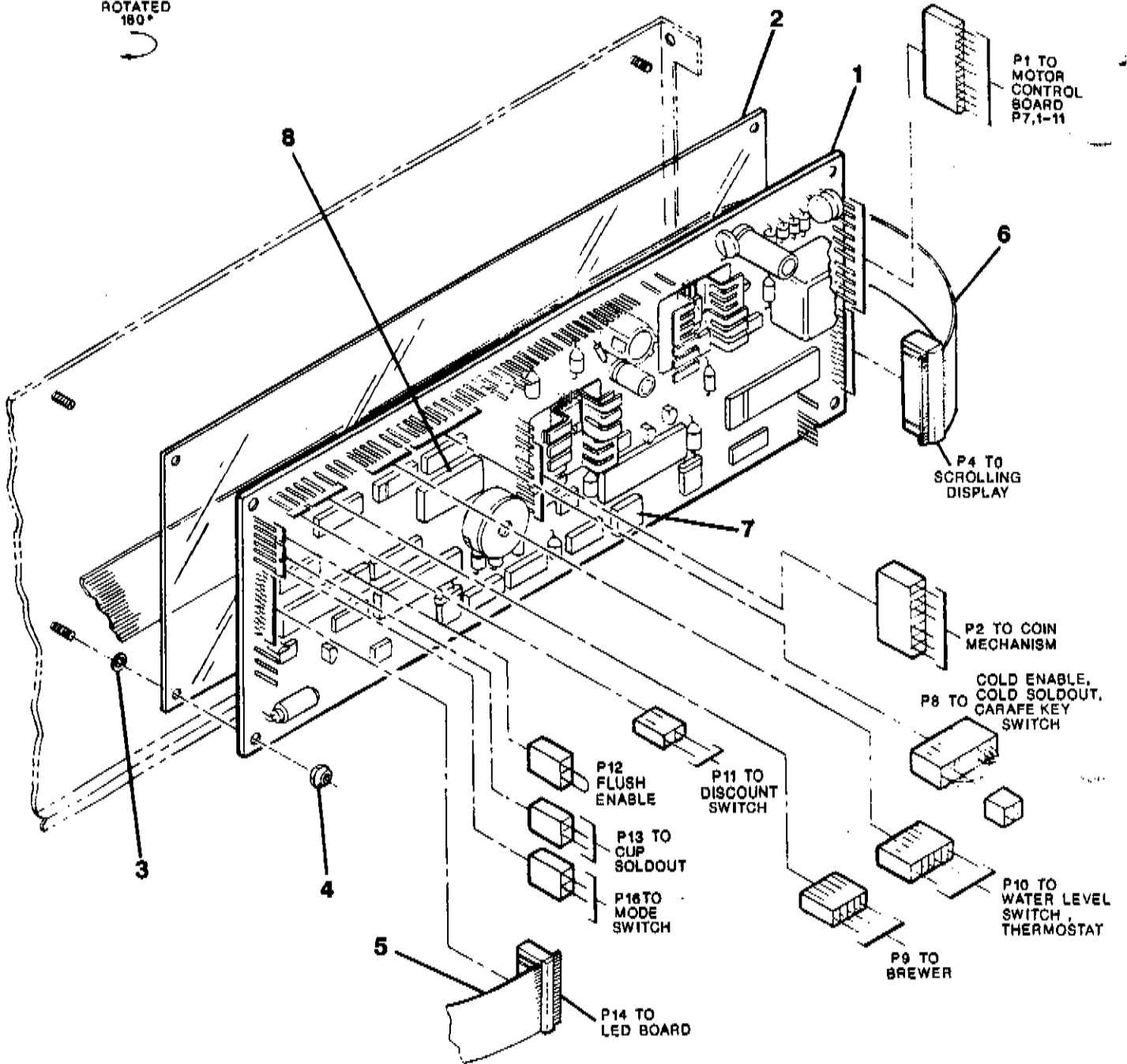




39F.	*33025	LABELS, SELECTION, HOT & COLD DRINK SET, BROWN GERMAN LANGUAGE
39G.	*33025-1	LABELS, SELECTION, HOT & COLD DRINK SET, GRAY GERMAN LANGUAGE
40.	*33325	LABELS, MULTI-PRICE SET, 1P TO 54P, ENGLAND
40A.	*33325-1	LABELS, MULTI-PRICE SET 55P TO L 1.08, ENGLAND
40B.	*33326	LABELS, MULTI-PRICE SET, GERMANY
41.	*33322	LABELS, SINGLE PRICE SET, BROWN, ENGLAND
41A.	*33323	LABELS, SINGLE PRICE SET, BROWN, HOLLAND
41B.	*33323-3	LABELS, SINGLE PRICE SET, GRAY, HOLLAND
41C.	*33324	LABELS, SINGLE PRICE SET, BROWN, GERMANY
41D.	*33324	LABELS, SINGLE PRICE SET, GRAY, GERMANY
41E.	*33322-7	LABELS, SINGLE PRICE SET, GRAY, ENGLAND
42.	34733	BRACKET, DIFFUSER RETAINER
43.	34844	RETAINER, ARTWORK COVER
44.	34739	COVER, ARTWORK
45.	33467-3	ARTWORK, COFFEE BEAN (MUG AND DOUGHNUT)
45A.	34067-2	ARTWORK, COFFEE WITH TEA
45B.	34068-2	ARTWORK, COFFEE WITH TEA (HOT & COLD)
46.	34738	DIFFUSER, SHADOW BOX
47.	33486	HARNESS ASM, COIN MECH, EXECUTIVE
48.	01534	NUT, 4-40, HEX

\* NOTE: LABELS SOLD ONLY IN SETS AS NOTED - NOT SOLD INDIVIDUALLY.

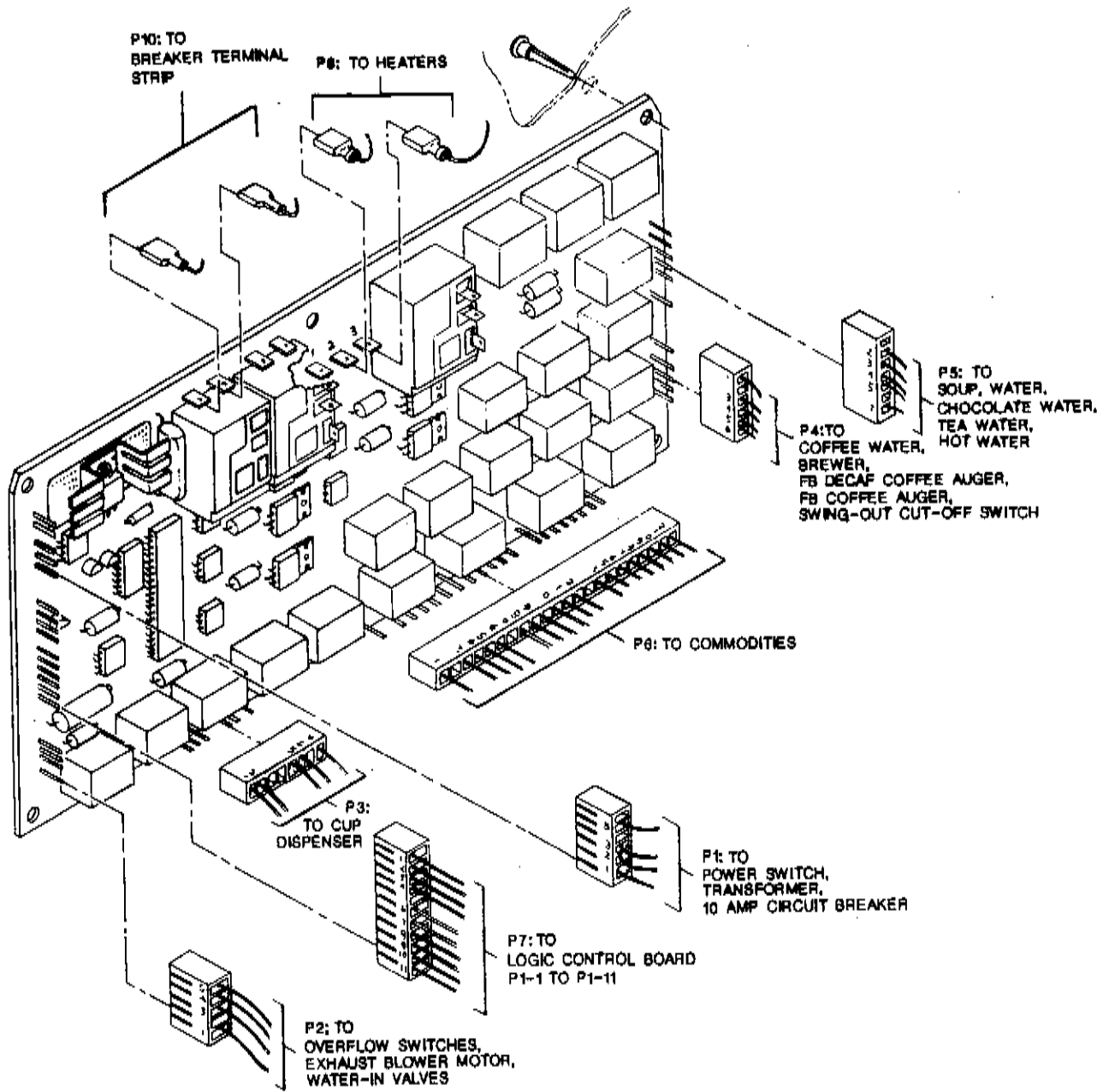
ROTATED  
180°



5.02A

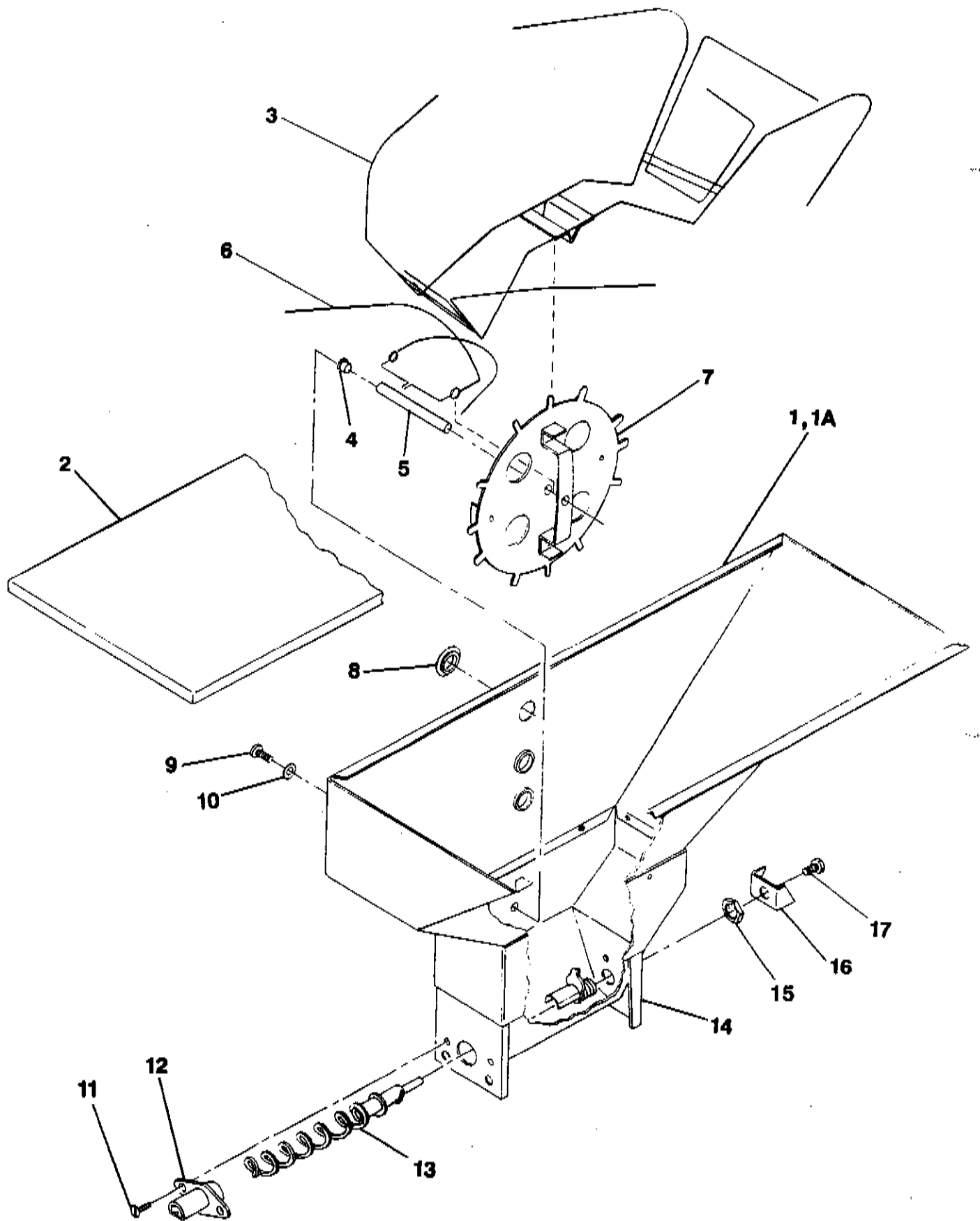
LOGIC BOARD

1. 31800 BOARD, CONTROL, MARS
2. 32296 PLATE, INSULATION, CONTROL BOARD
3. 19152 WASHER, NYLOMATIC N6324
4. 19927 NUT, 6-32 LOCK, NY INSERT
5. 32919 CABLE ASM, RIBBON, CONTROL BOARD TO LED BOARD
6. 32918 CABLE ASM, RIBBON, CONTROL BOARD TO DISPLAY BOARD
7. 33643 CHIP, EEROM, 2704 (PART OF ITEM 1)
8. 33642 CHIP, EPROM, 27C256 (PART OF ITEM 1)



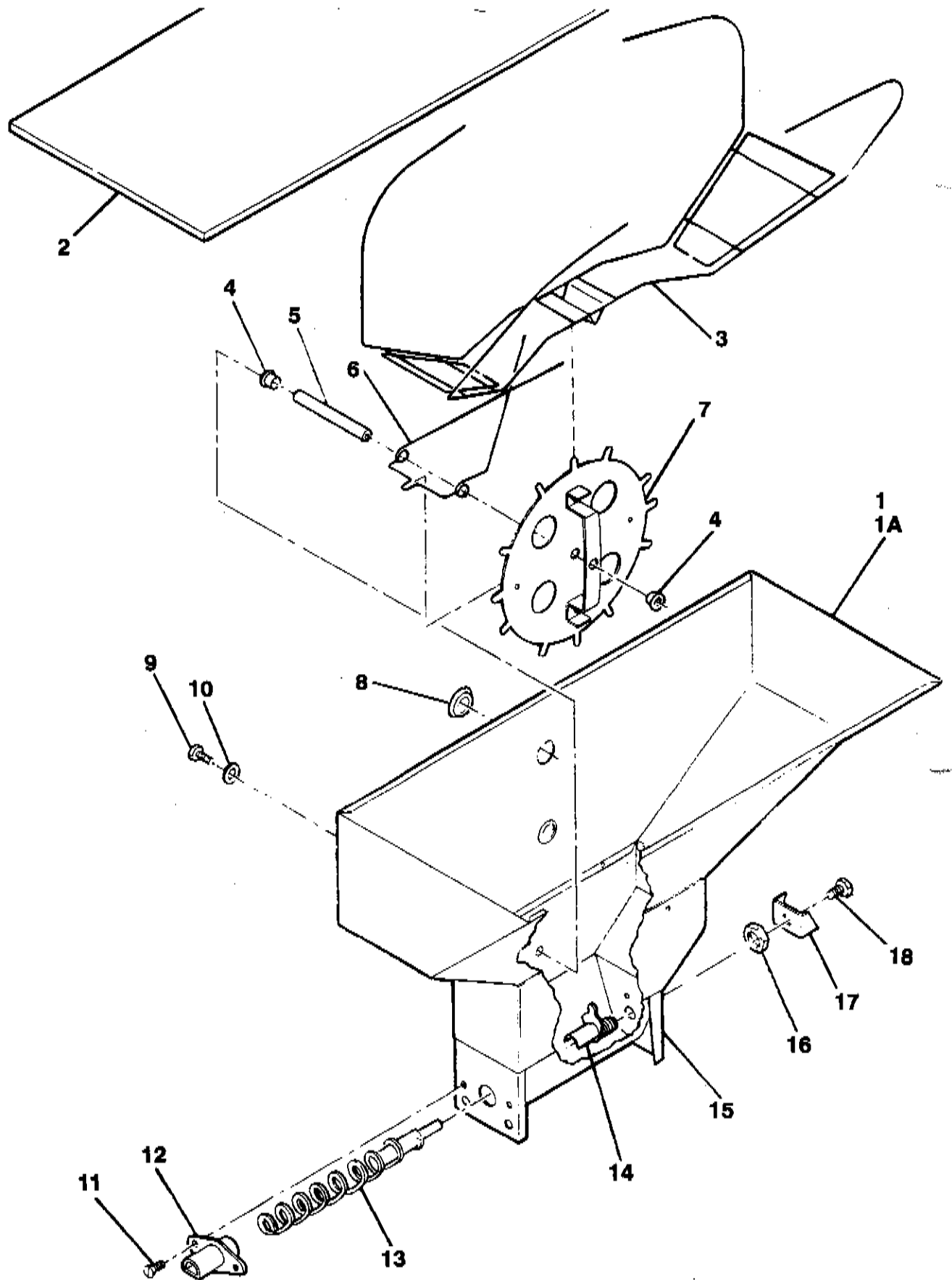
MOTOR CONTROL BOARD

1. 31802 BOARD, MOTOR CONTROL, MARS
2. 32353 STAND-OFF, PC BOARD, 1/2 IN



CANISTER ASSEMBLY - COFFEE HOPPER

- 1. 33358 CANISTER ASM, COFFEE HOPPER, COMPLETE (INCLUDES ITEMS 2-17)
- 1A. 33766 CANISTER ASM, COFFEE HOPPER, BASIC (PLASTIC CANISTER WITH ATTACHED STAINLESS STEEL EXTENSION ONLY)
- 2. 33357 LID, COFFEE HOPPER
- 3. 33286 AGITATOR, COFFEE HOPPER
- 4. 16058-11 NYLINER, 4L4FK
- 5. 14017 AXLE, WHEEL
- 6. 28143 AGITATOR, COFFEE HOPPER BOTTOM
- 7. 14420 WHEEL ASM, COFFEE (INCLUDES ITEM 4)
- 8. 17627 PLUG, HOLE
- 9. 12503 SCREW, 6-32 X 3/8 PH PL
- 10. 00828 WASHER, FLAT #6 SCP
- 11. 25034 SCREW, 6-32 X 3/8 FH B PL
- 12. 14011 SPOUT, CANISTER (NO LOUVERS)
- 13. 14023 AUGER AND SHAFT ASM
- 14. 33354 CANISTER (ONLY), COFFEE
- 15. 14190 NUT, 5/8-11 PAL
- 16. 25969 DRIVER, AUGER
- 17. 25970 SCREW, AUGER DRIVE

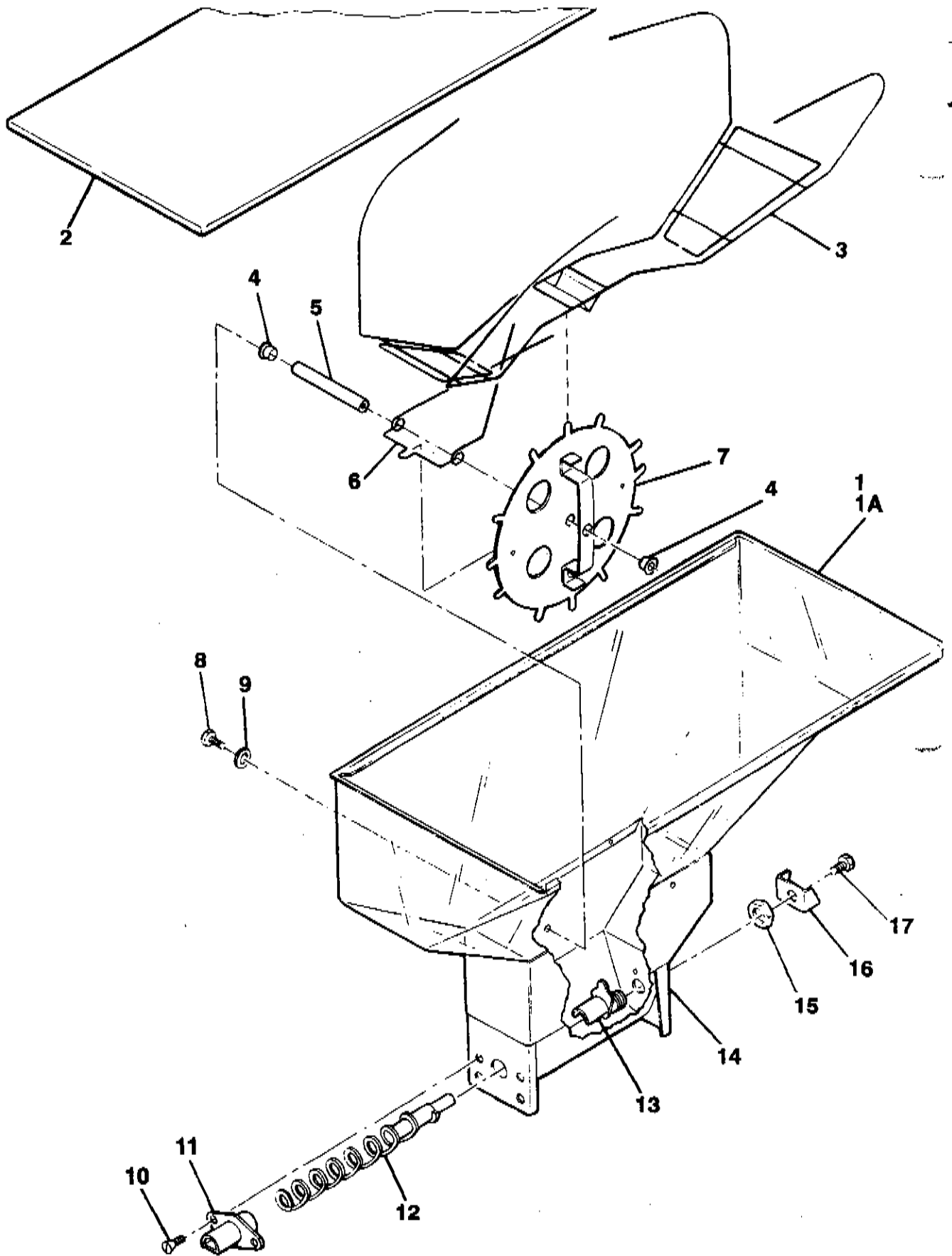


6.01A



CANISTER ASSEMBLY - COFFEE HOPPER 4 KG. SIZE  
(WITH STAINLESS STEEL EXTENSION)

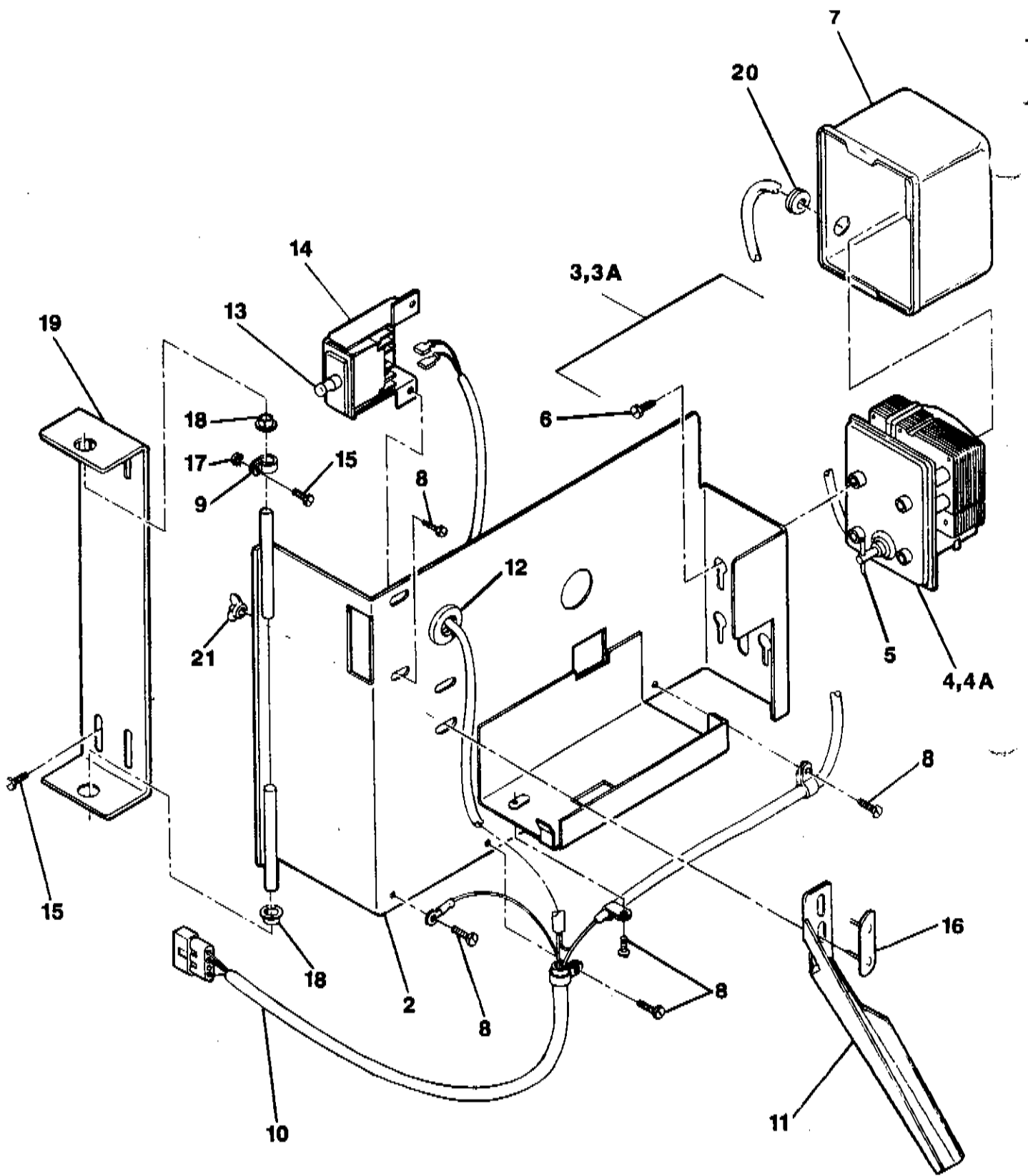
- |     |          |  |
|-----|----------|--|
| 1.  | 33817    | CANISTER ASM, COFFEE HOPPER, COMPLETE (INCLUDES ITEMS 2-18)  |
| 1A. | 34847    | CANISTER ASM, COFFEE HOPPER, BASIC (PLASTIC CANISTER WITH ATTACHED STAINLESS STEEL EXTENSION ONLY) |
| 2.  | 33620-1  | LID, COFFEE HOPPER (FOR 4KG. STAINLESS EXTENSION)  |
| 3.  | 33896    | AGITATOR, COFFEE HOPPER  |
| 4.  | 16058-11 | NYLINER, 4L4FK   |
| 5.  | 14017    | AXLE, WHEEL  |
| 6.  | 28143    | AGITATOR, COFFEE HOPPER BOTTOM   |
| 7.  | 14420    | WHEEL ASM, COFFEE (INCLUDES ITEM 4)  |
| 8.  | 17627    | PLUG, HOLE   |
| 9.  | 12503    | SCREW, 6-32 X 3/8 PH PL  |
| 10. | 00826    | WASHER, FLAT #6 SCP  |
| 11. | 25034    | SCREW, 6-32 X 3/8 FH B PL  |
| 12. | 14011    | SPOUT, CANISTER (NO LOUVERS)   |
| 13. | 14023    | AUGER AND SHAFT ASM  |
| 14. | 14012    | BEARING, REAR  |
| 15. | 33354-2  | CANISTER (ONLY), COFFEE, 4KG.  |
| 16. | 14190    | NUT, 5/8-11 PAL  |
| 17. | 25969    | DRIVER, AUGER  |
| 18. | 25970    | SCREW, AUGER DRIVE   |



6.01B

CANISTER ASSEMBLY - COFFEE HOPPER - 4 KG. SIZE  
(WITH VACUUM-FORMED EXTENSION)

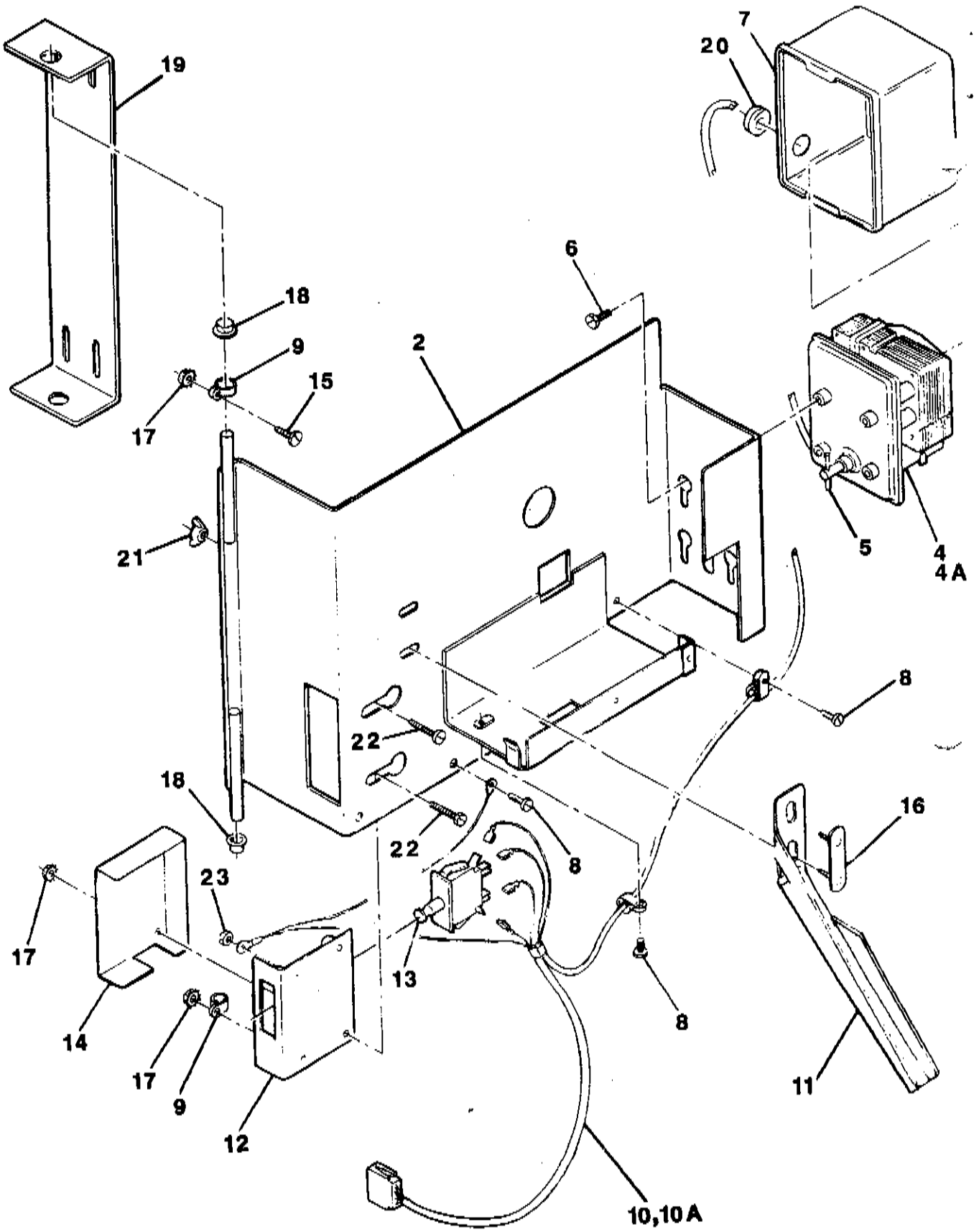
- |     |          |  |
|-----|----------|--|
| 1.  | 33850    | CANISTER ASM, COFFEE HOPPER, COMPLETE (INCLUDES ITEMS 2-17)                                      |
| 1A. | 34854    | CANISTER ASM, COFFEE HOPPER, BASIC (PLASTIC CANISTER WITH ATTACHED VACUUM-FORMED EXTENSION ONLY) |
| 2.  | 34848    | LID, COFFEE HOPPER (FOR 4KG, VACUUM-FORMED EXTENSION)  |
| 3.  | 34851    | AGITATOR, COFFEE HOPPER  |
| 4.  | 16058-11 | NYLINER, 4L4FK   |
| 5.  | 14017    | AXLE, WHEEL  |
| 6.  | 28143    | AGITATOR, COFFEE HOPPER BOTTOM   |
| 7.  | 14420    | WHEEL ASM, COFFEE (INCLUDES ITEM 4)  |
| 8.  | 12503    | SCREW, 6-32 X 3/8 PH PL  |
| 9.  | 00826    | WASHER, FLAT #6 SCP  |
| 10. | 25034    | SCREW, 6-32 X 3/8 FH B PL  |
| 11. | 14011    | SPOUT, CANISTER (NO LOUVERS)   |
| 12. | 14023    | AUGER AND SHAFT ASM  |
| 13. | 14012    | BEARING, REAR  |
| 14. | 33354-2  | CANISTER (ONLY), COFFEE, 4 KG.   |
| 15. | 14190    | NUT, 5/8-11 PAL  |
| 16. | 25969    | DRIVER, AUGER  |
| 17. | 25970    | SCREW, AUGER DRIVE   |



6.02A

BRACKET ASM, COFFEE HOPPER SWING-OUT

1. 33081 BRACKET ASM, COFFEE SWING-OUT, LG (FRESH BREWED COFFEE)  
(INCLUDES ITEMS 2, 3-4, 5-14)
- 1A. 33080 BRACKET ASM, COFFEE SWING-OUT, FD (FREEZE-DRIED COFFEE)  
(INCLUDES ITEMS 2, 3A-4A, 5-14)
2. 33188 BRACKET ASM, COFFEE SWING-OUT, WELDED
3. 22737 MOTOR ASM 180 RPM, LG (FRESH BREWED COFFEE) (INCLUDES ITEMS 4, 5 & 6)
- 3A. 14469 MOTOR ASM 51 RPM, FD (FREEZE-DRIED COFFEE) (INCLUDES ITEMS 4A, 5 & 6)
4. 22731 MOTOR, AUGER, 180 RPM (FRESH BREWED COFFEE)
- 4A. 14453 MOTOR, AUGER, 51 RPM (FREEZE-DRIED COFFEE)
5. 15628 PIN, ROLL, 1/8 X 1 1/2 SS
6. 14487 SCREW, 8-32 X 1/4 PH (QUANTITY 4 PER MOTOR ASM)
7. 14426 COVER, MOTOR
8. 14806 SCREW, 8-32 X 3/8 HH SCP F SD WA GREEN
9. 27604 CLAMP, P, 1/4 NYLON (SHIPPING)
10. 33487 HARNESS ASM, SWING OUT BRACKET
11. 34218 CHUTE ASM COFFEE
12. 28539 GROMMET, 5/8 X 7/8
13. 33475 SWITCH, PUSH-BUTTON, CHEAT INTERLOCK
14. 32844 BRACKET, SWITCH
15. 11073 SCREW, 8/32 X 1/2 PH M PL
16. 34233 PLATE ASM, COFFEE CHUTE
17. 11749 NUT, 8-32 KEP, EXH LK WA SCP
18. 16058-14 NYLINER, 6L2FF
19. 33790 BRACKET, COFFEE SWING-OUT MOUNTING
20. 03593 GROMMET, 3/8 X 15/32 (PART OF ITEM 10)
21. 06888 NUT, 8-32 WING, ZINC WA BASE

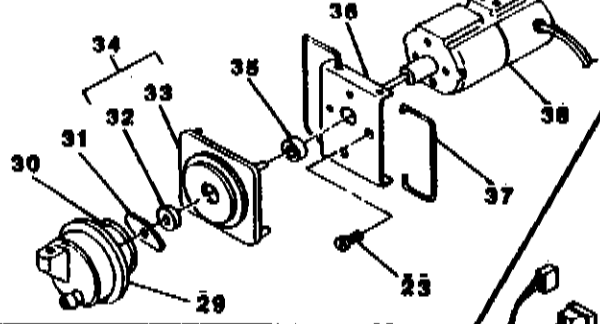


6.02B

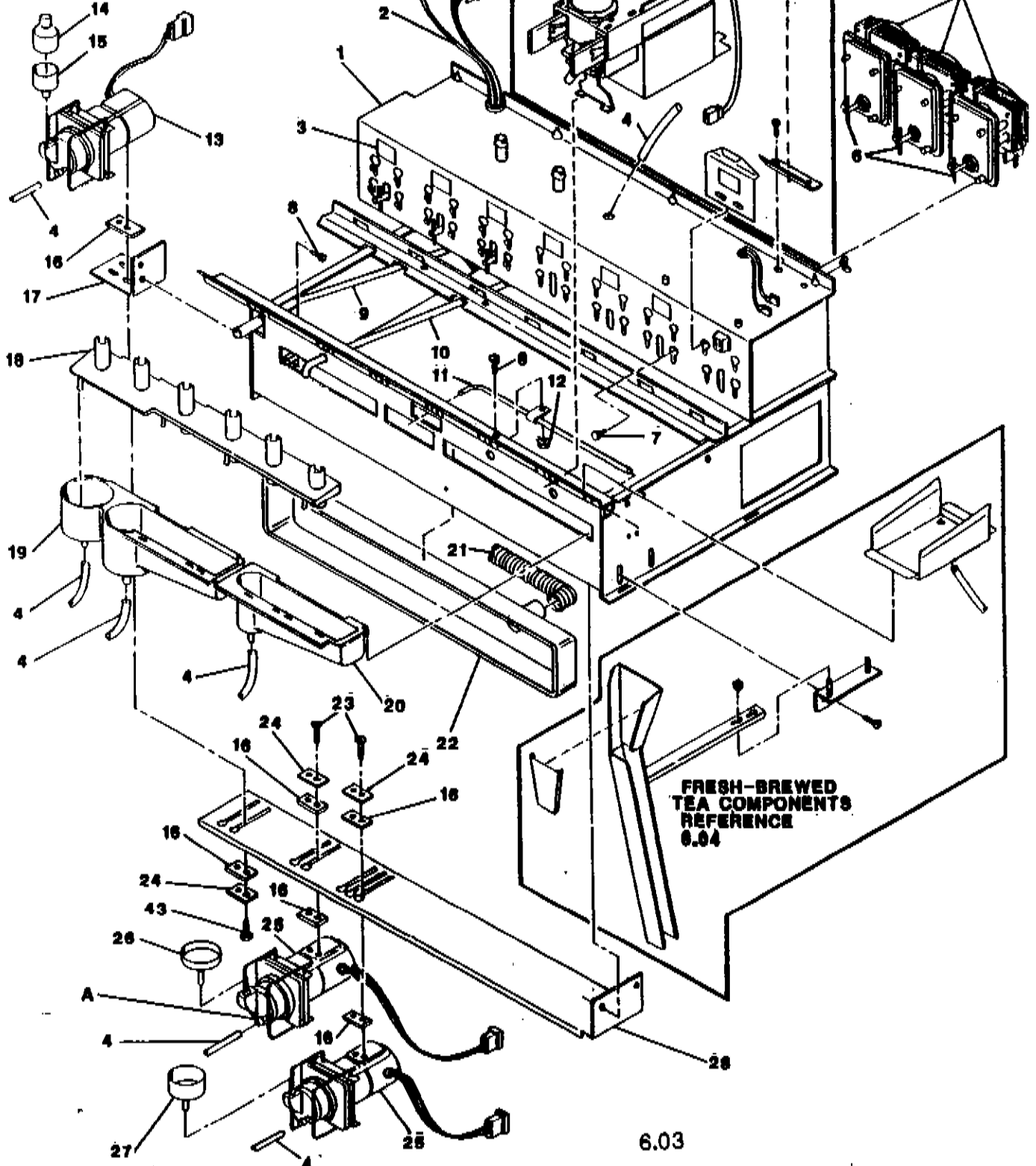
BRACKET ASM, COFFEE HOPPER SWING-OUT  
(FOR UNITS WITH VACUUM-FORMED COFFEE HOPPER EXTENSION)

- 1. 34825 BRACKET ASM, COFFEE SWING-OUT, LG (FRESH BREWED COFFEE)  
(INCLUDES ITEMS 2, 3-4, 5-14)
- 1A. 34824 BRACKET ASM, COFFEE SWING-OUT, FD (FREEZE-DRIED COFFEE)  
(INCLUDES ITEMS 2, 3A-4A, 5-14)
- 2. 34823 BRACKET ASM, COFFEE SWING-OUT, WELDED
- 3. 22737 MOTOR ASM 180 RPM, LG (FRESH BREWED COFFEE) (INCLUDES ITEMS 4, 5 & 6)
- 3A. 14469 MOTOR ASM 51 RPM, FD (FREEZE-DRIED COFFEE) (INCLUDES ITEMS 4A, 5 & 6)
- 4. 22731 MOTOR, AUGER, 180 RPM (FRESH BREWED COFFEE)
- 4A. 14453 MOTOR, AUGER, 51 RPM (FREEZE-DRIED COFFEE)
- 5. 15628 PIN, ROLL, 1/8 X 1 1/2 SS
- 6. 14487 SCREW, 8-32 X 1/4 PH (QUANTITY 4 PER MOTOR ASM)
- 7. 14426 COVER, MOTOR
- 8. 14806 SCREW, 8-32 X 3/8 HH SCP F SD WA GREEN
- 9. 27604 CLAMP, P, 1/4 NYLON (SHIPPING)
- 10. 34827 HARNESS ASM, CABINET, SWING OUT BRACKET
- 11. 34218 CHUTE ASM COFFEE
- 12. 34815 PLATE ASM, SWITCH, SWING-OUT BRACKET
- 13. 33475 SWITCH, PUSH-BUTTON, CHEAT INTERLOCK
- 14. 34814 COVER, SWITCH, SWING-OUT BRACKET
- 15. 11073 SCREW, 8/32 X 1/2 PH M PL
- 16. 34233 PLATE ASM, COFFEE CHUTE
- 17. 11749 NUT, 8-32 KEP, EXH LK WA SCP
- 18. 16058-14 NYLINER, 6L2FF
- 19. 33790 BRACKET, COFFEE SWING-OUT MOUNTING
- 20. 03593 GROMMET, 3/8 X 15/32 (PART OF ITEM 10)
- 21. 06888 NUT, 8-32 WING, ZINC WA BASE
- 22. 16442 SCREW, 8-32 X 1/4, PH
- 23. 28291 WASHER, LOCK, #8, EXTERNAL STAR

**DETAIL A**

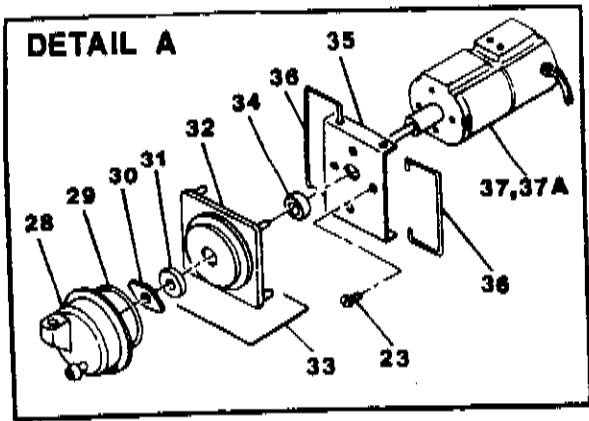


**FRESH-BREWED  
TEA  
COMPONENTS  
REFERENCE  
8.04**

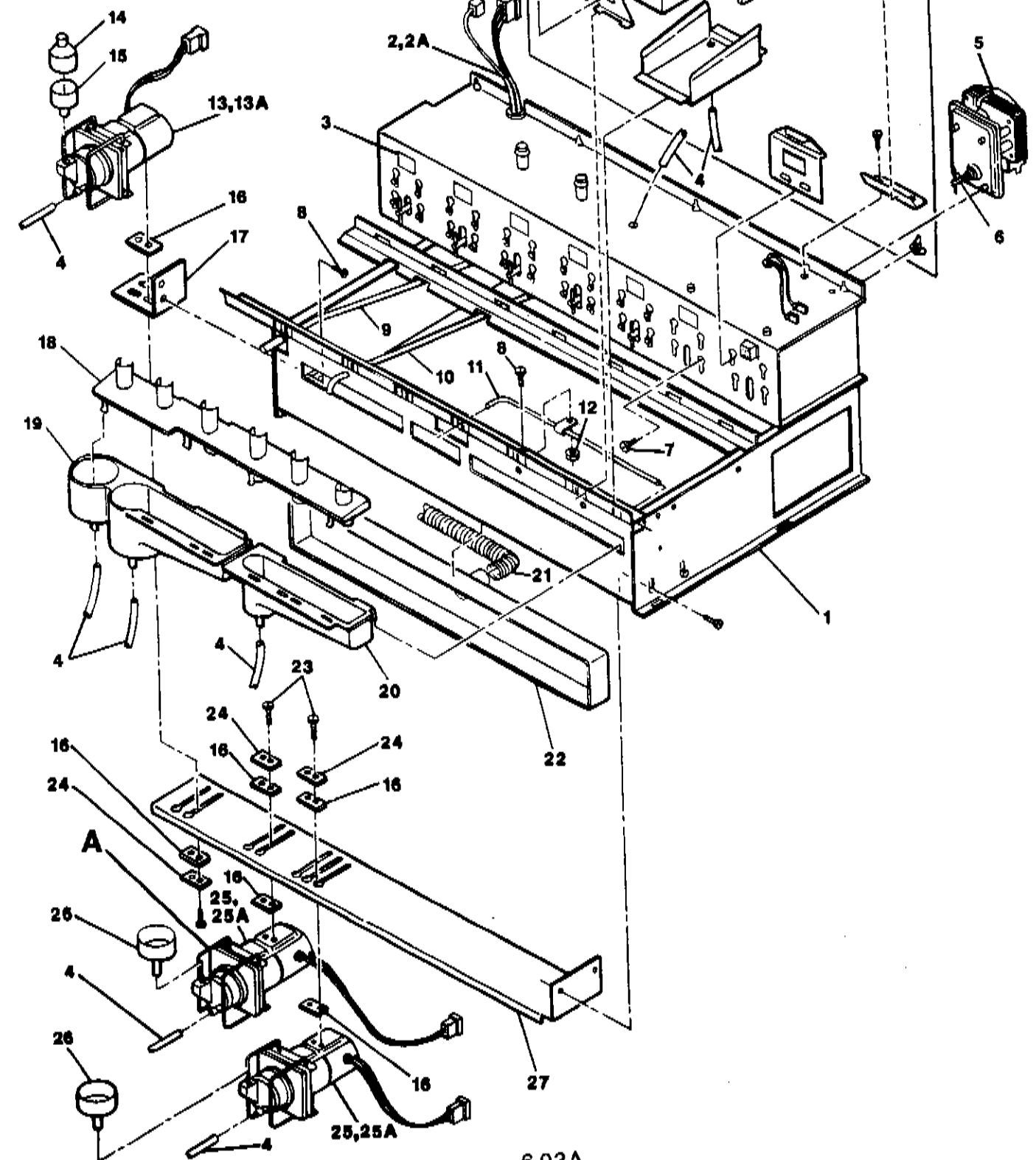


**FRESH-BREWED  
TEA  
COMPONENTS  
REFERENCE  
8.04**





FRESH BREWED TEA COMPONENTS;  
REF. 6.04A, 6.04B



CANISTER RACK ASSEMBLY

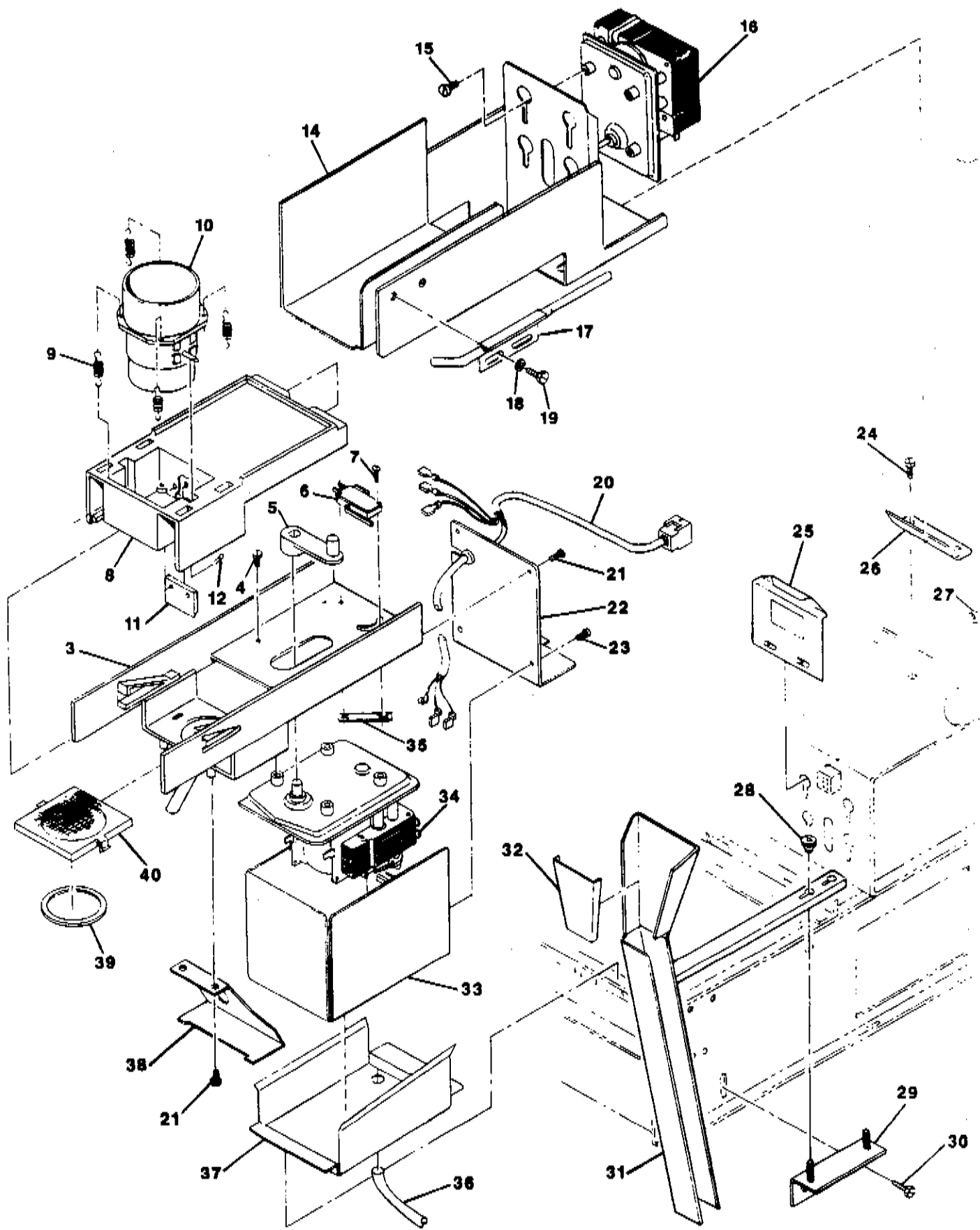
1.	24033	RACK ASM CANISTER, WELDED
2.	33069	HARNESS ASM, CANISTER RACK
3.		DECALS: ORDER INDIVIDUALLY PER REQUIRED COMMODITIES (ALL PRINTED IN 3 LANGUAGES EXCEPT ESPRESSO)
3A.	33079	DECAL, ESPRESSO
3B.	33079-1	DECAL, CHOCOLATE
3C.	33079-2	DECAL, COFFEE
3D.	33079-3	DECAL, CREAMER
3E.	33079-4	DECAL, LEMON TEA
3F.	33079-5	DECAL, SUGAR
3G.	33079-6	DECAL, SOUP
3H.	33079-7	DECAL, TEA
3I.	33079-8	DECAL, WHITE
3J.	33079-9	DECAL, DECAF
4.	19033	TUBE, SILICONE, 5/16 ID X 1/2 OD, BROWN (BULK NO. SOLD PER FOOT)
5.	22737	MOTOR ASM, AUGER, 180 RPM (INCLUDES ITEMS 6 & 7)
6.	15628	PIN, ROLL, 1/8 X 1 1/2, SS (PART OF ITEM 5)
7.	14487	SCREW, 8-32 X 1/4, PH (QUANTITY 4 PER MOTOR ASM)
8.	14491	SCREW, 8-32 X 3/8, PH
9.	28725	TUBE ASM, CHOCOLATE WATER
10.	28727	TUBE ASM, SOUP WATER
11.	33265	TUBE ASM, COFFEE DELIVERY
12.	11749	NUT, 8-32 KEP, EXT LK WA, SCP
13.	33525	WHIPPER ASM, CHOCOLATE, WITH FUNNELS (INCLUDES ITEMS 14, 15, & 29-38)
14.	14745	FUNNEL, ENTRANCE TOP, WHIPPER
15.	28045	FUNNEL, WHIPPER BASIC, MOLDED
16.	14180	PAD, VIBRATION
17.	31844	BRACKET ASM, WHIPPER DAMPING
18.	32992	CHUTE, COMMODITY
19.	32629	TROUGH, COMMODITY
20.	32630	TROUGH, TEA (FOR UNITS WITH ANY TYPE OF TEA)
21.	13290	HOSE, EXHAUST (SOLD ONLY IN 6 FT. LENGTHS; 13290=1FT.)
22.	23951	DUCT, STEAM EXHAUST
23.	27895	SCREW, 8-32 X 1, PH, M
24.	14181	PLATE, COMPRESSION
25.	33131	WHIPPER ASM, SOUP/COFFEE (LESS FUNNEL)
26.	23993	FUNNEL, SHORT, SOUP WHIPPER
27.	23027	FUNNEL, LONG, COFFEE WHIPPER
28.	32075	BRACKET ASM, WHIPPER MOTOR
29.	13909	HOUSING, OUTER, WHIPPER
30.	13919	RING, 'O', 2 1/4 X 2 1/2
31.	13912	IMPELLOR, WHIPPER
32.	27435	SEAL, HOUSING, INNER, WHIPPER
33.	27421	HOUSING, INNER, WHIPPER
34.	13910	HOUSING & SEAL ASM (INCLUDES ITEMS 32 & 33)
35.	13918	SLINGER
36.	13914	PLATE, WHIPPER MOUNTING
37.	13915	SPRING, RETAINER, WHIPPER
38.	33524	MOTOR ASM, WHIPPER, WIRED

NOTE: ITEMS FOR FRESH-BREWED TEA SHOWN FOR LOCATION REFERENCE ONLY.  
SEE PAGE 6.04 FOR LISTINGS FOR TEA BREWER OPTION.

### CANISTER RACK ASSEMBLY

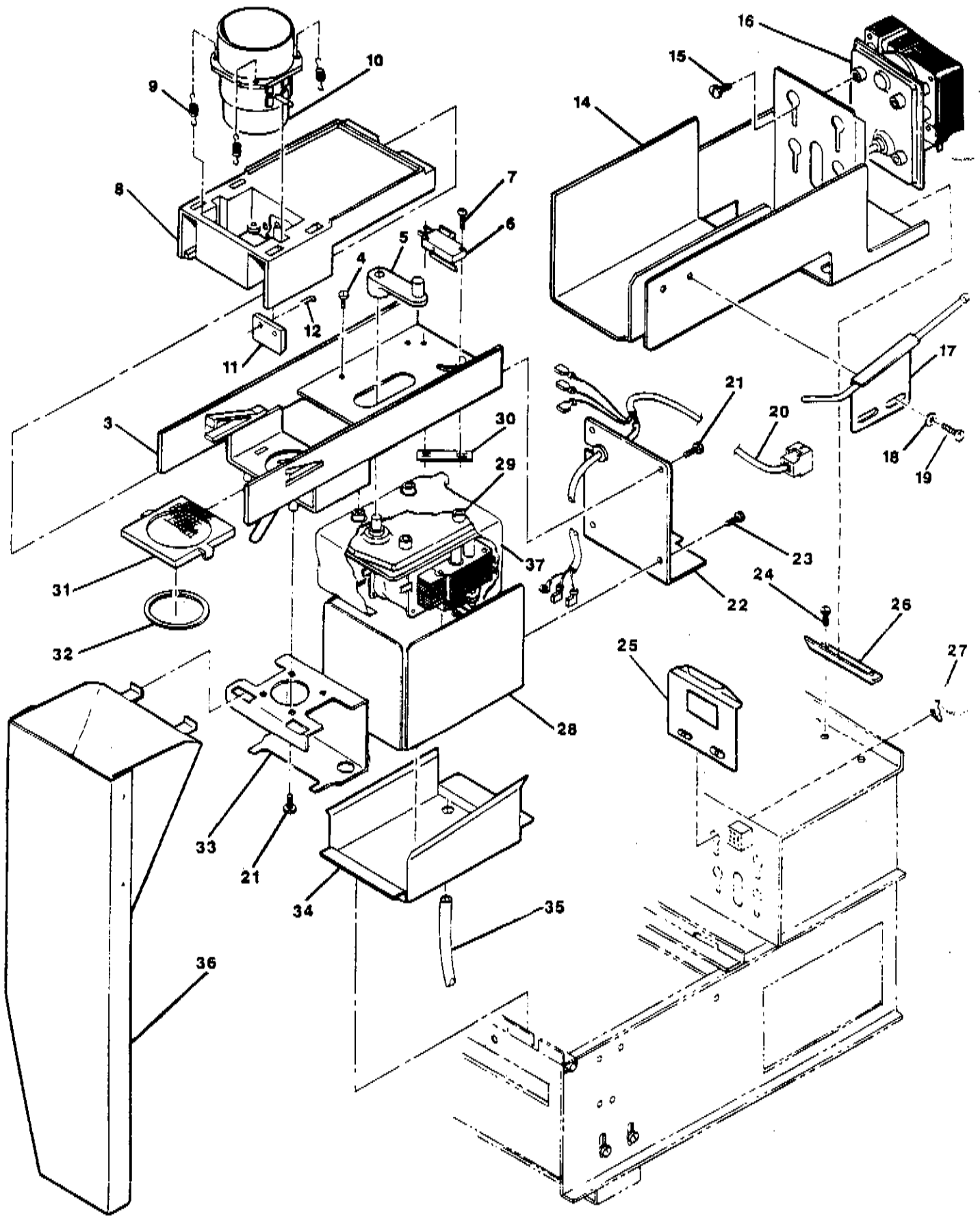
1.	24033	RACK ASM CANISTER, WELDED
2.	33069	HARNESS ASM, CANISTER RACK
2A.	35003	HARNESS ASM, CANISTER RACK - TUV
3.		DECALS: ORDER INDIVIDUALLY PER REQUIRED COMMODITIES (ALL PRINTED IN 3 LANGUAGES EXCEPT ESPRESSO)
3A.	33079	DECAL, ESPRESSO
3B.	33079-1	DECAL, CHOCOLATE
3C.	33079-2	DECAL, COFFEE
3D.	33079-3	DECAL, CREAMER
3E.	33079-4	DECAL, LEMON TEA
3F.	33079-5	DECAL, SUGAR
3G.	33079-6	DECAL, SOUP
3H.	33079-7	DECAL, TEA
3I.	33079-8	DECAL, WHITE
3J.	33079-9	DECAL, DECAF
4.	19033	TUBE, SILICONE, 5/16 ID X 1/2 OD, BROWN (BULK NO. SOLD PER FOOT)
5.	22737	MOTOR ASM, AUGER, 180 RPM (INCLUDES ITEMS 6 & 7)
6.	15628	PIN, ROLL, 1/8 X 1 1/2, SS (PART OF ITEM 5)
7.	14487	SCREW, 8-32 X 1/4, PH (QUANTITY 4 PER MOTOR ASM)
8.	14491	SCREW, 8-32 X 3/8, PH
9.	28725	TUBE ASM, CHOCOLATE WATER
10.	28727	TUBE ASM, SOUP WATER
11.	33265	TUBE ASM, COFFEE DELIVERY
12.	11749	NUT, 8-32 KEP, EXT LK WA, SCP
13.	33525	WHIPPER ASM, CHOCOLATE, WITH FUNNELS (INCLUDES ITEMS 14, 15, & 29-38)
13A.	33525	WHIPPER ASM, CHOCOLATE, WITH FUNNELS (INCLUDES ITEMS 14, 15, & 29-38) - TUV
14.	14745	FUNNEL, ENTRANCE TOP, WHIPPER
15.	28045	FUNNEL, WHIPPER BASIC, MOLDED
16.	33279	PAD, VIBRATION
17.	31844	BRACKET ASM, WHIPPER DAMPING
18.	32992	CHUTE, COMMODITY
19.	32629	TROUGH, COMMODITY
20.	32630	TROUGH, TEA (FOR UNITS WITH ANY TYPE OF TEA)
21.	13290	HOSE, EXHAUST (SOLD ONLY IN 6 FT. LENGTHS; 13290=1FT.)
22.	23951-2	DUCT, STEAM EXHAUST
23.	27895	SCREW, 8-32 X 1, PH, M
24.	33280	PLATE, COMPRESSION
25.	33131	WHIPPER ASM, SOUP/COFFEE (LESS FUNNEL)
25A.	35132	WHIPPER ASM, SOUP/COFFEE (LESS FUNNEL) -TUV
26.	23027	FUNNEL, LONG, COFFEE WHIPPER
27.	32075	BRACKET ASM, WHIPPER MOTOR
28.	13909	HOUSING, OUTER, WHIPPER
29.	13919	RING, 'O', 2 1/4 X 2 1/2
30.	34091	IMPELLOR, WHIPPER
31.	27435	SEAL, HOUSING, INNER, WHIPPER
32.	27421	HOUSING, INNER, WHIPPER
33.	13910	HOUSING & SEAL ASM (INCLUDES ITEMS 32 & 33)
34.	13918	SLINGER
35.	13914	PLATE, WHIPPER MOUNTING
36.	13915	SPRING, RETAINER, WHIPPER
37.	33524	MOTOR ASM, WHIPPER, WIRED
37A.	34963	MOTOR ASM, WHIPPER, WIRED - TUV

NOTE: ITEMS FOR FRESH-BREWED TEA SHOWN FOR LOCATION REFERENCE ONLY.  
SEE PAGE 6.04 FOR LISTINGS FOR TEA BREWER OPTION.



BREWER ASSEMBLY, TEA, WITH RELATED ITEMS

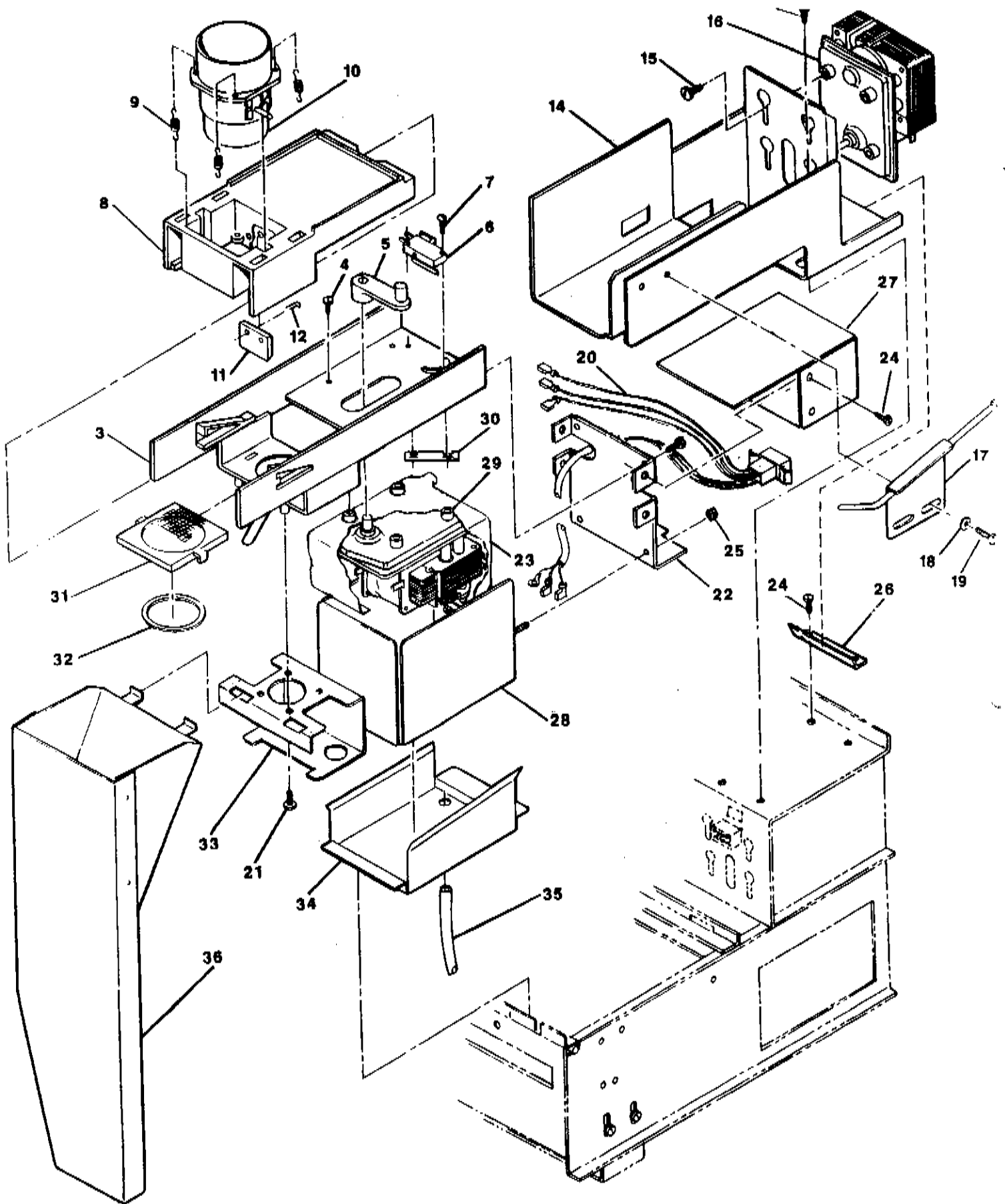
1.	32735	BREWER ASM, TEA, 9 OZ. COMPLETE
2.	32743	BASE ASM, TEA BREWER (INCLUDES ITEMS 3-7, 21-23, 33-35 & 38)
3.	32649	BASE, TEA BREWER
4.	25795	SCREW, 8-32 X 5/16, PH, SCP
5.	32741	ARM, CRANK, TEA BREWER
6.	32739	SWITCH, INDEX, TEA BREWER
7.	21193	SCREW, 4-40 X 3/4, RH, M
8.	32651	CARRIAGE, TEA BREWER
9.	33711	SPRING, EXTENSION, TEA BREW CAVITY
10.	32650	CAVITY, TEA BREWER, 9 OZ.
11.	32744	BLADE, WIPER, TEA BREWER
12.	06031	PIN, COTTER, 1/16 X 1/2, SS
13.	32745	CARRIAGE ASM, TEA BREWER (INCLUDES ITEMS 8-12)
14.	32733	BRACKET, TEA CANISTER AND MOTOR, WELDED
15.	14487	SCREW, 8-32 X 1/4, PH (QUANTITY 4 PER MOTOR ASM)
16.	22737	MOTOR ASM, 180 RPM, AUGER (INCLUDES ITEM 15)
17.	32730	TUBE ASM, TEA BREWER, 9 OZ.
18.	00167	WASHER, LOCK, #8 SPLIT, SCP
19.	09479	SCREW, 8-32 X 3/8, PH, M, SS
20.	33106	HARNES ASM, TEA BREWER
21.	29942	SCREW, 6 X 3/8, HH, SD
22.	32736	CATCH, REAR, TEA BREWER
23.	25567	SCREW, 6-32 X 3/8, PH, M, SS
24.	14806	SCREW, 8-32 X 3/8, HH, SCP F, SD WA
25.	32731	CATCH, FRONT, TEA CANISTER
26.	32732	CATCH, REAR, TEA CANISTER
27.	06888	NUT, 8-32 WING, ZINC WA BASE
28.	05625	NUT, 8-32 KNURLED, AL
29.	33473	BRACKET ASM, TEA CHUTE
30.	14491	SCREW, 8-32 X 3/8, PH
31.	33478	CHUTE ASM TEA, WELDED
32.	33260	COVER, TEA CHUTE
33.	32742	COVER ASM, MOTOR, TEA BREWER
34.	32738	MOTOR, TEA BREWER, 120V, 50/60 HZ.
35.	32740	NUT, 4-40, TWIN-SPEED
36.	19033	TUBE, SILICONE, 5/16 ID X 1/2 OD, BROWN (BULK NO. SOLD PER INCH)
37.	32679	PAN, DRIP, TEA BREWER
38.	32737	CATCH, FRONT, TEA BREWER
39.	33538	SEAL, FILTER, TEA BREWER, BLACK
40.	32892	FILTER, MOLDED, TEA BREWER



6.04A

BREWER ASSEMBLY, TEA, WITH RELATED ITEMS

1. 32735 BREWER ASM, TEA, 9 OZ. COMPLETE
2. 32743 BASE ASM, TEA BREWER (INCLUDES ITEMS 3-7, 21-23, 33-35 & 38)
3. 32649 BASE, TEA BREWER
4. 25795 SCREW, 8-32 X 5/16, PH, SCP
5. 32741 ARM, CRANK, TEA BREWER
6. 32739 SWITCH, INDEX, TEA BREWER
7. 21193 SCREW, 4-40 X 3/4, RH, M
8. 32651 CARRIAGE, TEA BREWER
9. 33711 SPRING, EXTENSION, TEA BREW CAVITY
10. 32650 CAVITY, TEA BREWER, 9 OZ.
11. 32744 BLADE, WIPER, TEA BREWER
12. 06031 PIN, COTTER, 1/16 X 1/2, SS
13. 32745 CARRIAGE ASM, TEA BREWER (INCLUDES ITEMS 8-12)
14. 32733 BRACKET, TEA CANISTER AND MOTOR, WELDED
15. 14487 SCREW, 8-32 X 1/4, PH (QUANTITY 4 PER MOTOR ASM)
16. 22737 MOTOR ASM, 180 RPM, AUGER (INCLUDES ITEM 15)
17. 33873 TUBE ASM, TEA BREWER, 9 OZ.
18. 00167 WASHER, LOCK, #8 SPLIT, SCP
19. 09479 SCREW, 8-32 X 3/8, PH, M, SS
20. 33106 HARNESS ASM, TEA BREWER
21. 29942 SCREW, 6 X 3/8, HH, SD
22. 32736 CATCH, REAR, TEA BREWER
23. 25567 SCREW, 6-32 X 3/8, PH, M, SS
24. 14806 SCREW, 8-32 X 3/8, HH, SCP F, SD WA
25. 32731 CATCH, FRONT, TEA CANISTER
26. 32732 CATCH, REAR, TEA CANISTER
27. 06888 NUT, 8-32 WING, ZINC WA BASE
28. 32742 COVER ASM, MOTOR, TEA BREWER
29. 32738 MOTOR, TEA BREWER, 120V, 50/60 HZ.
30. 32740 NUT, 4-40, TWIN-SPEED
31. 32892 FILTER, MOLDED, TEA BREWER
32. 33538 SEAL, FILTER, TEA BREWER, BLACK
33. 33941 CATCH, FRONT, TEA BREWER
34. 32679 PAN, DRIP, TEA BREWER
35. 19033 TUBE, SILICONE, 5/16 ID X 1/2 OD, BROWN (BULK NO. SOLD PER INCH)
36. 33940 CHUTE ASM, TEA BREWER
37. 34204 BOOT, TEA BREWER MOTOR

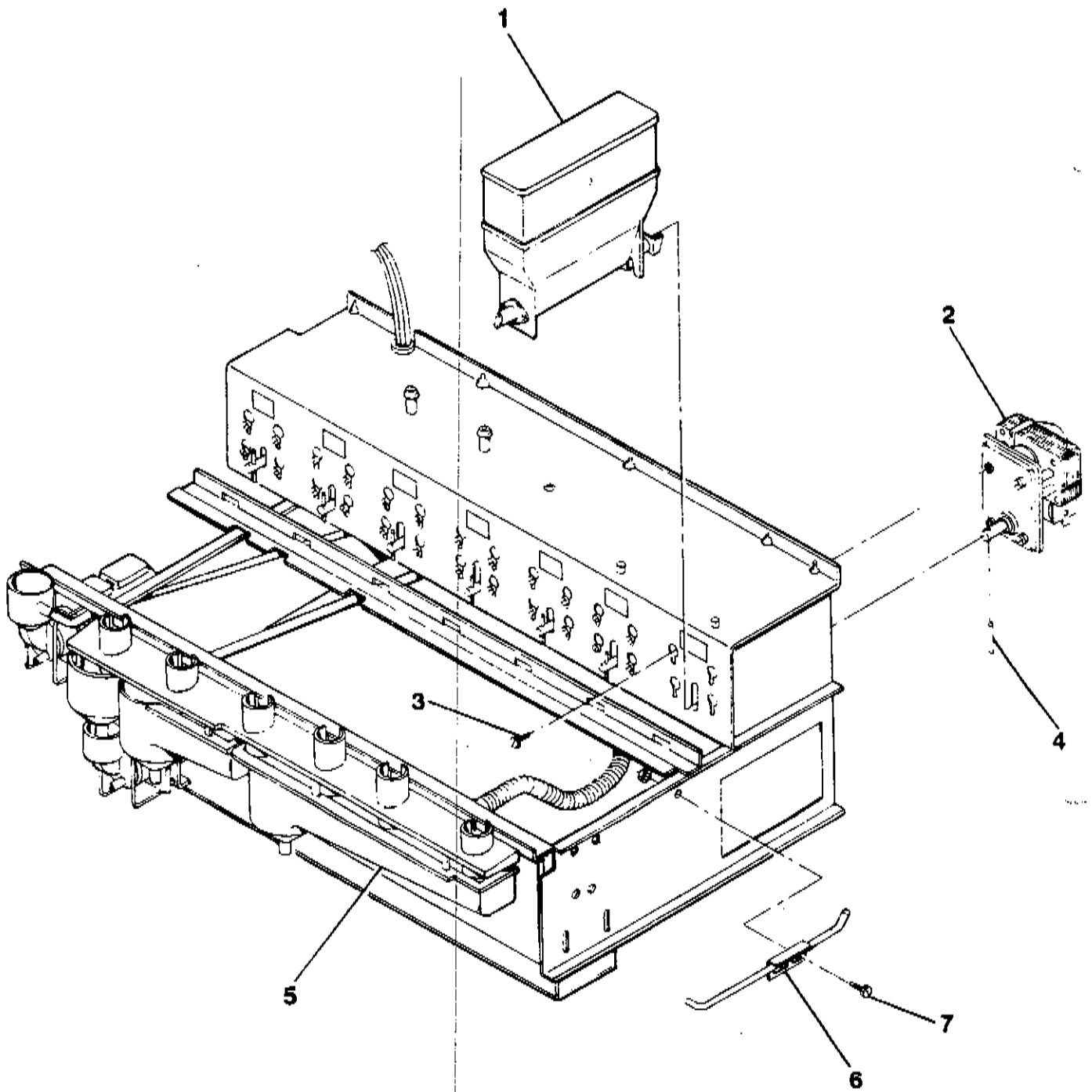


6.04B



BREWER ASSEMBLY, TEA, WITH RELATED ITEMS, COMMON DESIGN

1.	35320	BREWER ASM, TEA, 9 OZ. COMPLETE
2.	35311	BASE ASM, TEA BREWER (INCLUDES ITEMS 3-7, 20-23, 25, 27-33)
3.	32649	BASE, TEA BREWER
4.	25795	SCREW, 8-32 X 5/16, PH, SCP
5.	32741	ARM, CRANK, TEA BREWER
6.	32739	SWITCH, INDEX, TEA BREWER
7.	21193	SCREW, 4-40 X 3/4, RH, M
8.	32651	CARRIAGE, TEA BREWER
9.	33711	SPRING, EXTENSION, TEA BREW CAVITY
10.	32650	CAVITY, TEA BREWER, 9 OZ.
11.	32744	BLADE, WIPER, TEA BREWER
12.	06031	PIN, COTTER, 1/16 X 1/2, SS
13.	32745	CARRIAGE ASM, TEA BREWER (INCLUDES ITEMS 8-12)
14.	32733	BRACKET, TEA CANISTER AND MOTOR, WELDED
15.	14487	SCREW, 8-32 X 1/4, PH (QUANTITY 4 PER MOTOR ASM)
16.	22737	MOTOR ASM, 180 RPM, AUGER (INCLUDES ITEM 15)
17.	33873	TUBE ASM, TEA BREWER, 9 OZ.
18.	00167	WASHER, LOCK, #8 SPLIT, SCP
19.	09479	SCREW, 8-32 X 3/8, PH, M, SS
20.	35030	HARNESS ASM, TEA BREWER
21.	29942	SCREW, 6 X 3/8, HH, SD
22.	35236	CATCH, REAR, TEA BREWER
23.	34204	BOOT, TEA BREWER MOTOR
24.	14806	SCREW, 8-32 X 3/8, HH, SCP F, SD WA
25.	09043	NUT, 8-32, HEX, SCP
26.	32732	CATCH, REAR, TEA CANISTER
27.	35235	BRACKET, PLUG, TEA BREWER
28.	35296	COVER ASM, MOTOR, TEA BREWER
29.	32738	MOTOR, TEA BREWER, 120V, 50/60 HZ.
30.	32740	NUT, 4-40, TWIN-SPEED
31.	32892	FILTER, MOLDED, TEA BREWER
32.	33538	SEAL, FILTER, TEA BREWER, BLACK
33.	35237	CATCH, FRONT, TEA BREWER
34.	32879	PAN, DRIP, TEA BREWER
35.	19033	TUBE, SILICONE, 5/16 ID X 1/2 OD, BROWN (BULK NO. SOLD PER INCH)
36.	35234	CHUTE ASM, TEA BREWER

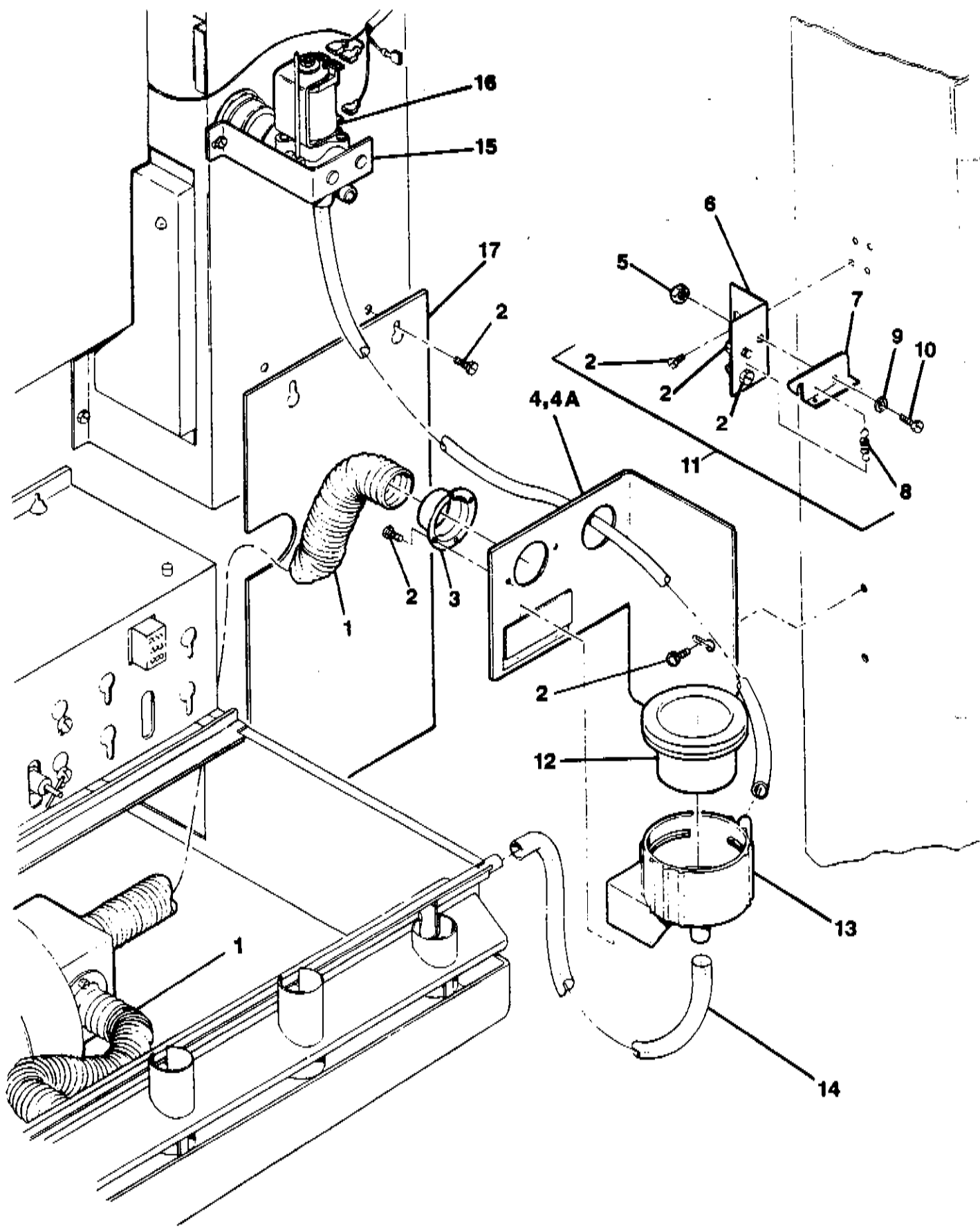


6.05

FD (SOLUBLE) TEA COMPONENTS

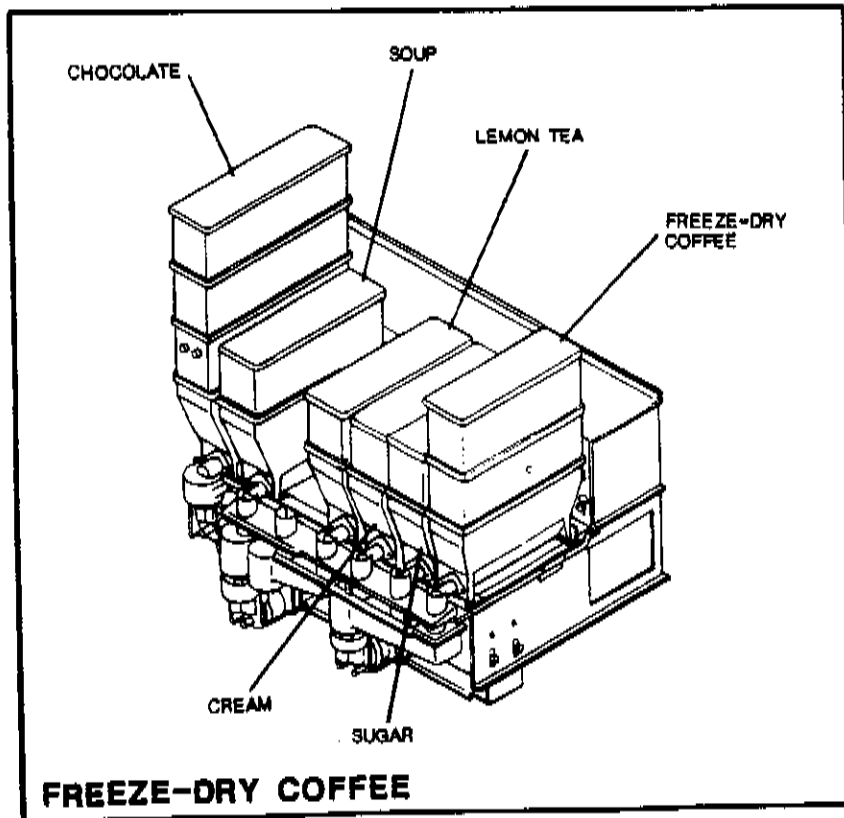
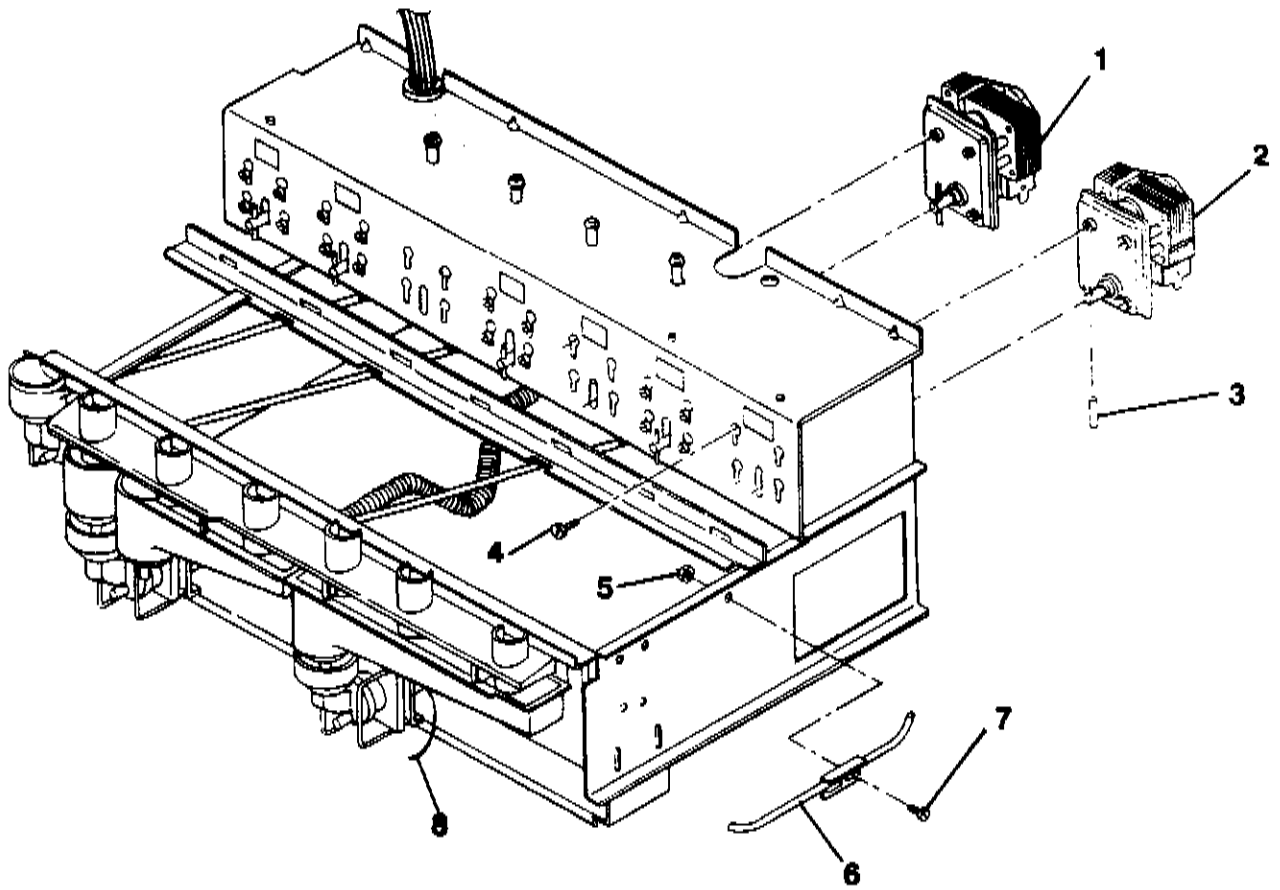
1. 33062 CANISTER ASM, FD TEA
2. 14469 MOTOR ASM AUGER, 51 RPM (INCLUDES ITEMS 3 & 4)
3. 14487 SCREW, 8-32 X 1/4, PH (QUANTITY 4 PER MOTOR)
4. 15628 PIN, ROLL, 1/8 X 1 1/2, SS
5. 32630 TROUGH, TEA
6. 33551 TUBE ASM, FD TEA
7. 14491 SCREW, 8-32 X 3/8, PH

NOTE: FOR BREAKDOWN OF CANISTER RACK ASSEMBLY SEE PAGE 6.03



FD (SOLUBLE) COFFEE COMPONENTS

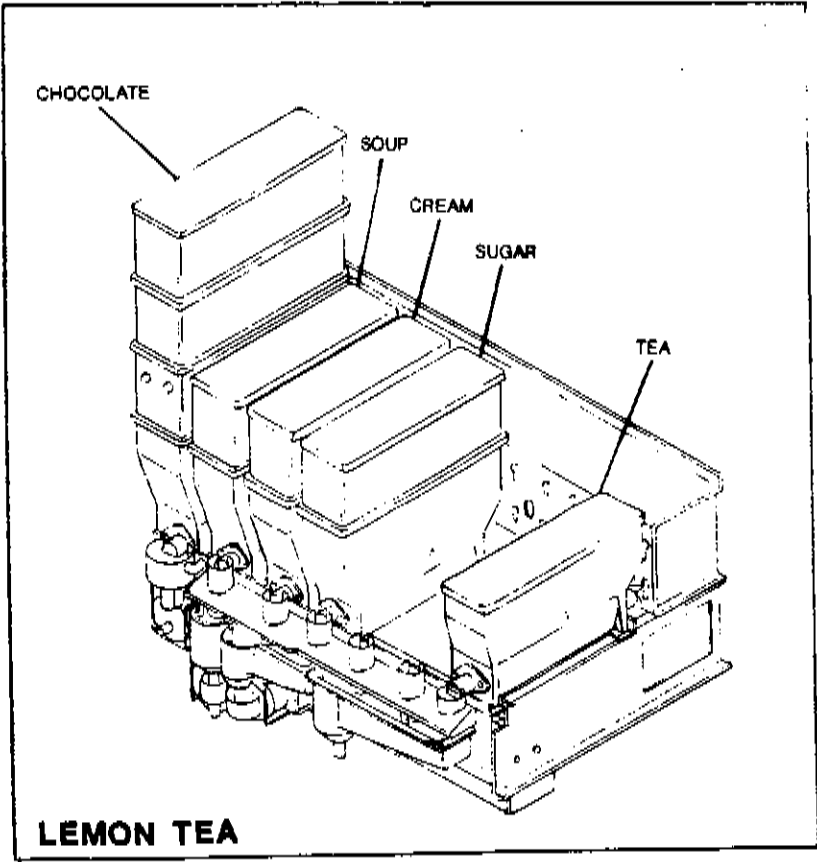
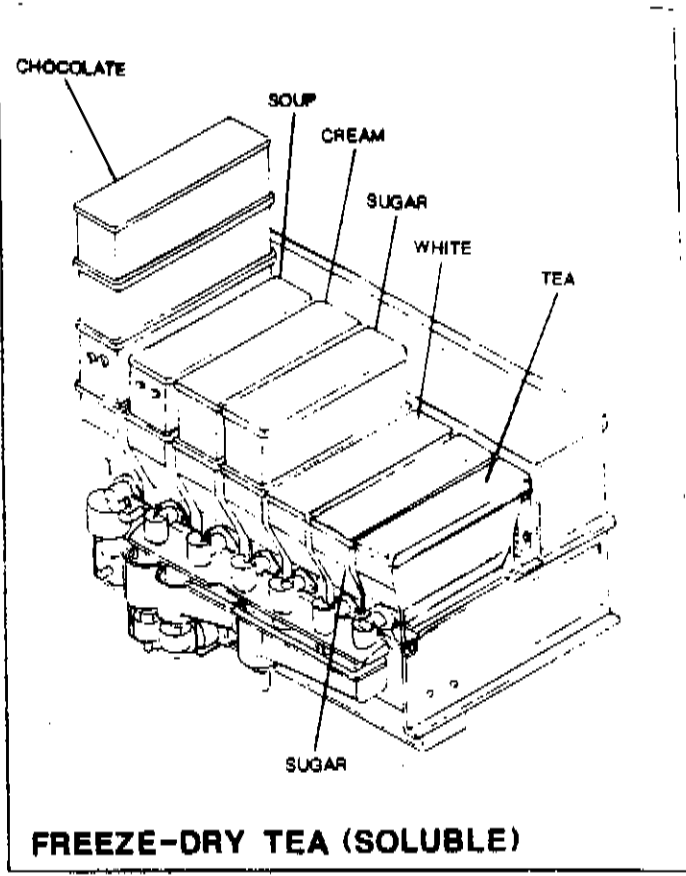
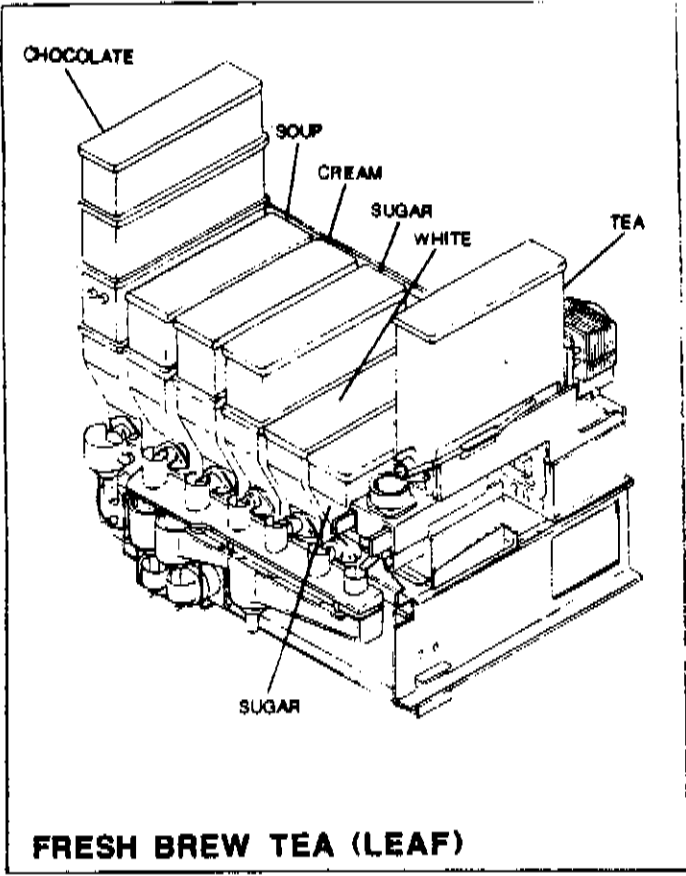
1. 13290 HOSE, EXHAUST (SOLD ONLY IN 6 FT. LENGTHS; 13290=1 FT.)
2. 14806 SCREW, 8-32 X 3/8 HH, PL, F, SD WA
3. 32633 ADAPTER, VACUUM HOSE
4. 33278 BRACKET ASM, MIXING BOWL, FD
- 4A. 35240 BRACKET ASM, MIXING BOWL, FD (NO CHUTE)
5. 21042 NUT, 8-32 STOP, SCP
6. 33261 BRACKET, LATCH, SWING-OUT
7. 33262 LATCH, SWING-OUT BRACKET
8. 14435 SPRING
9. 00961 WASHER, FLAT #8, SCP
10. 14491 SCREW, 8-32 X 3/8, PH
11. 33263 LATCH ASM, SWING-OUT BRACKET (INCLUDES ITEMS 2,5-10)
12. 32632 BOWL, MIXING, FD, TOP
13. 32631 BOWL, MIXING, FD, BOTTOM
14. 19033 TUBE, SILICONE, 5/16 ID X 1/2 OD, BROWN (BULK NO. SOLD PER INCH)
15. 33430 BRACKET ASM VALVE, WELDED, MULLER
16. 33085 VALVE ASM COMMODITY ADAPTED, FD
17. 33732 GUARD, SPLASH, HTW TANK



FD (SOLUBLE) COFFEE COMPONENTS

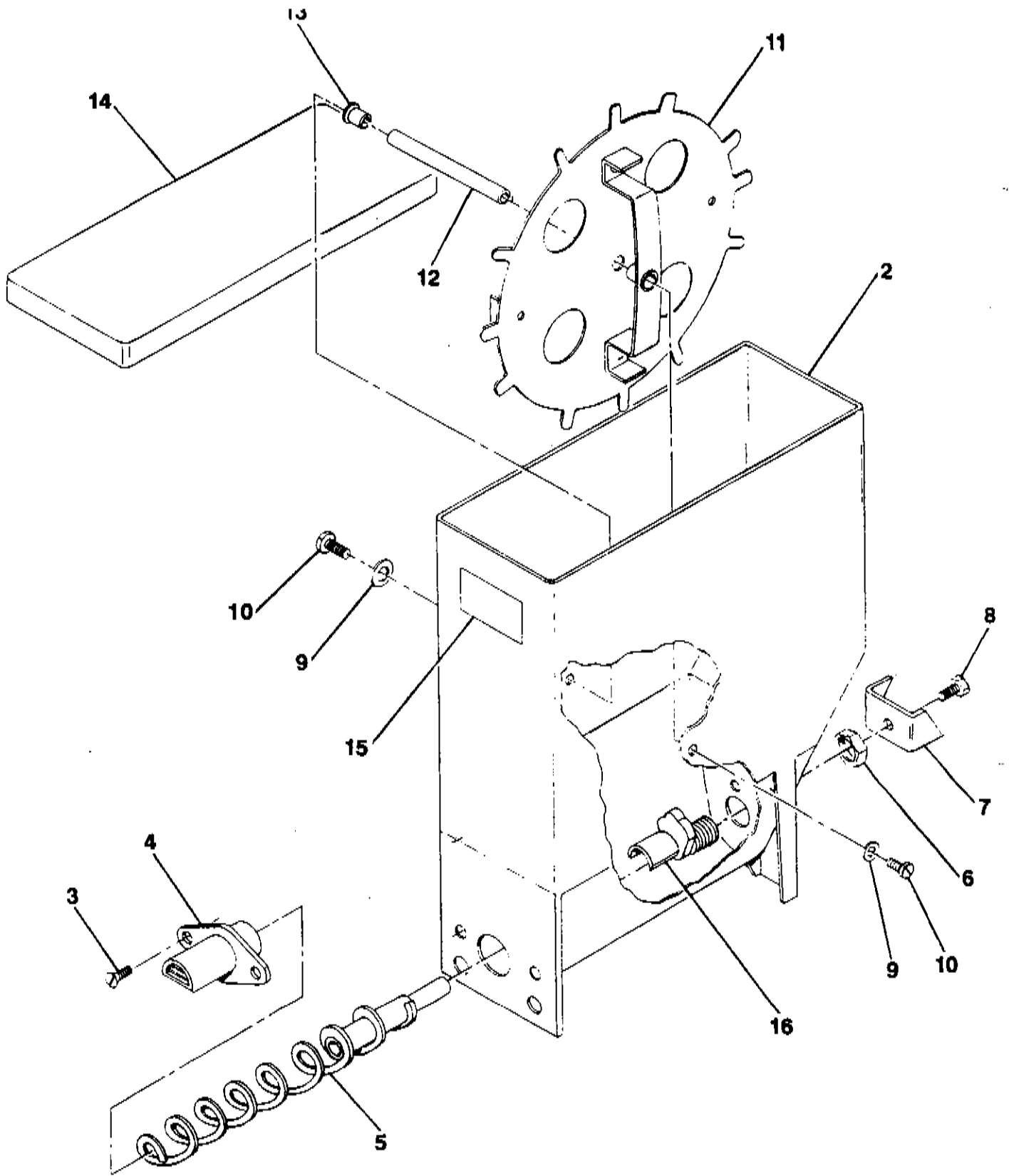
FOR UNITS WITH COFFEE ON THE CANISTER RACK. THESE UNITS DO NOT INCLUDE A SWING-OUT BRACKET ASSEMBLY AS SHOWN ON MANUAL PAGE 6.02A

1. 13999 MOTOR ASM, AUGER, 90 RPM (INCLUDES ITEMS 3 & 4)
2. 22737 MOTOR ASM, AUGER, 180 RPM (INCLUDES ITEMS 3 & 4)
3. 15628 PIN, ROLL, 1/8 X 1 1/2, SS
4. 14487 SCREW, 8-32 X 1/4, PH
5. 11749 NUT, 8-32 KEP, EXT LK WA
6. 33551 TUBE ASM, TEA WATER
7. 14491 SCREW, 8-32 X 3/8, PH
8. 34110 HARNESS ASM, EXTENSION, COFFEE WHIPPER





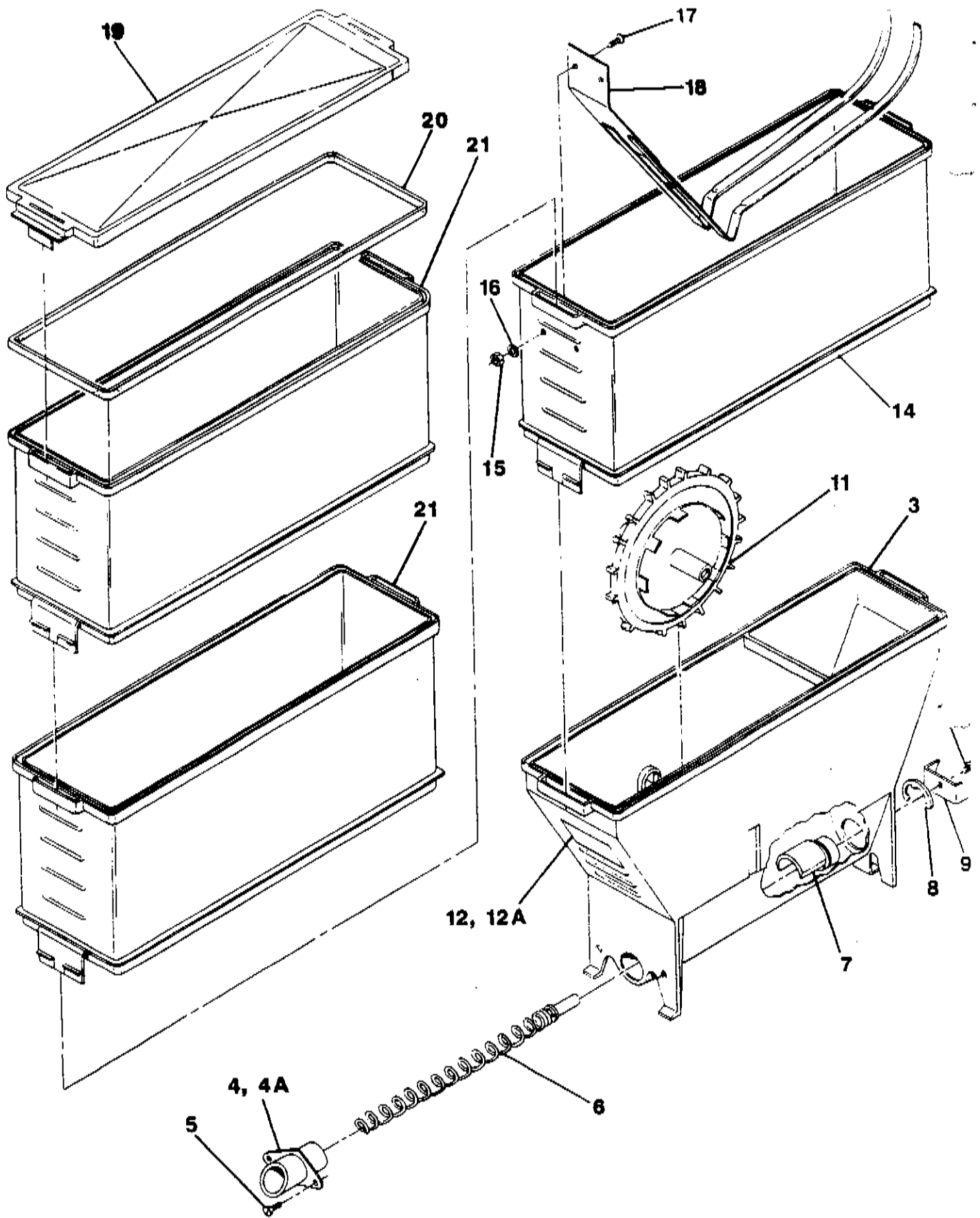
LOCATION OF COMMODITY CANISTERS ON CANISTER RACK



6.08

CANISTER ASSEMBLY: FRESH-BREWED TEA

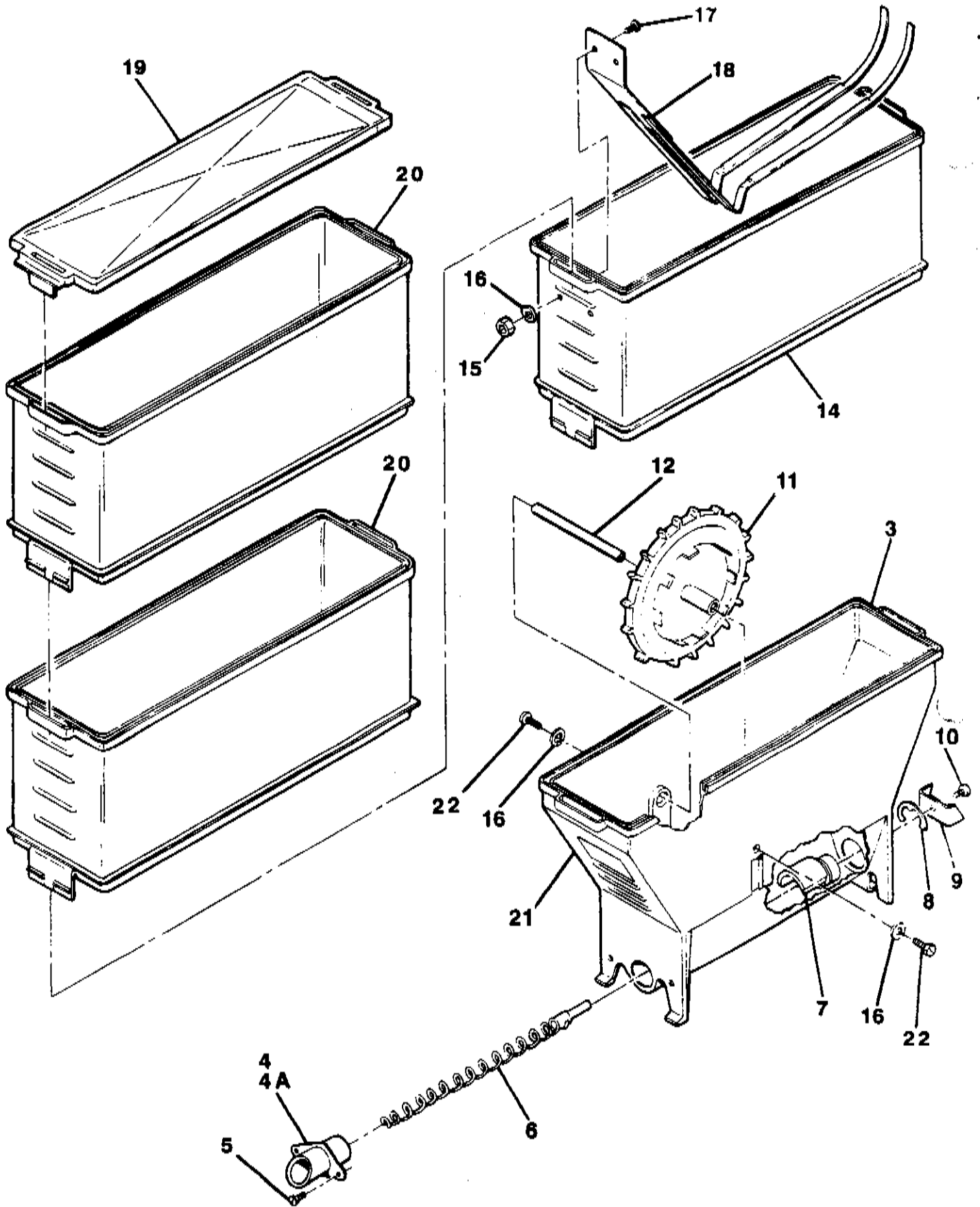
1. 33798 CANISTER ASM, FRESH-BREWED TEA (INCLUDES ITEMS 2-16)
2. 33797 CANISTER (ONLY), FRESH-BREWED TEA, PLASTIC
3. 06136 SCREW, 6-32 X 3/8 FH M BR
4. 14011 SPOUT, CANISTER (NO LOUVERS)
5. 14023 AUGER & SHAFT ASM.
6. 14190 NUT, 5/8 - 11, PAL
7. 25969 DRIVER, AUGER
8. 25970 SCREW, AUGER DRIVER
9. 00826 WASHER, FLAT #6, SCP
10. 00825 SCREW, 6-32 X 3/8 RH M BR
11. 14420 WHEEL ASM, COMMODITY
12. 14017 AXLE, WHEEL
13. 16058-11 NYLINER, 4L4FK
14. 06695 LID, CANISTER
15. 33079-7 DECAL, TEA
16. 14012 BEARING, REAR



6.09

CANISTER ASSEMBLIES: CHOCOLATE AND SOUP

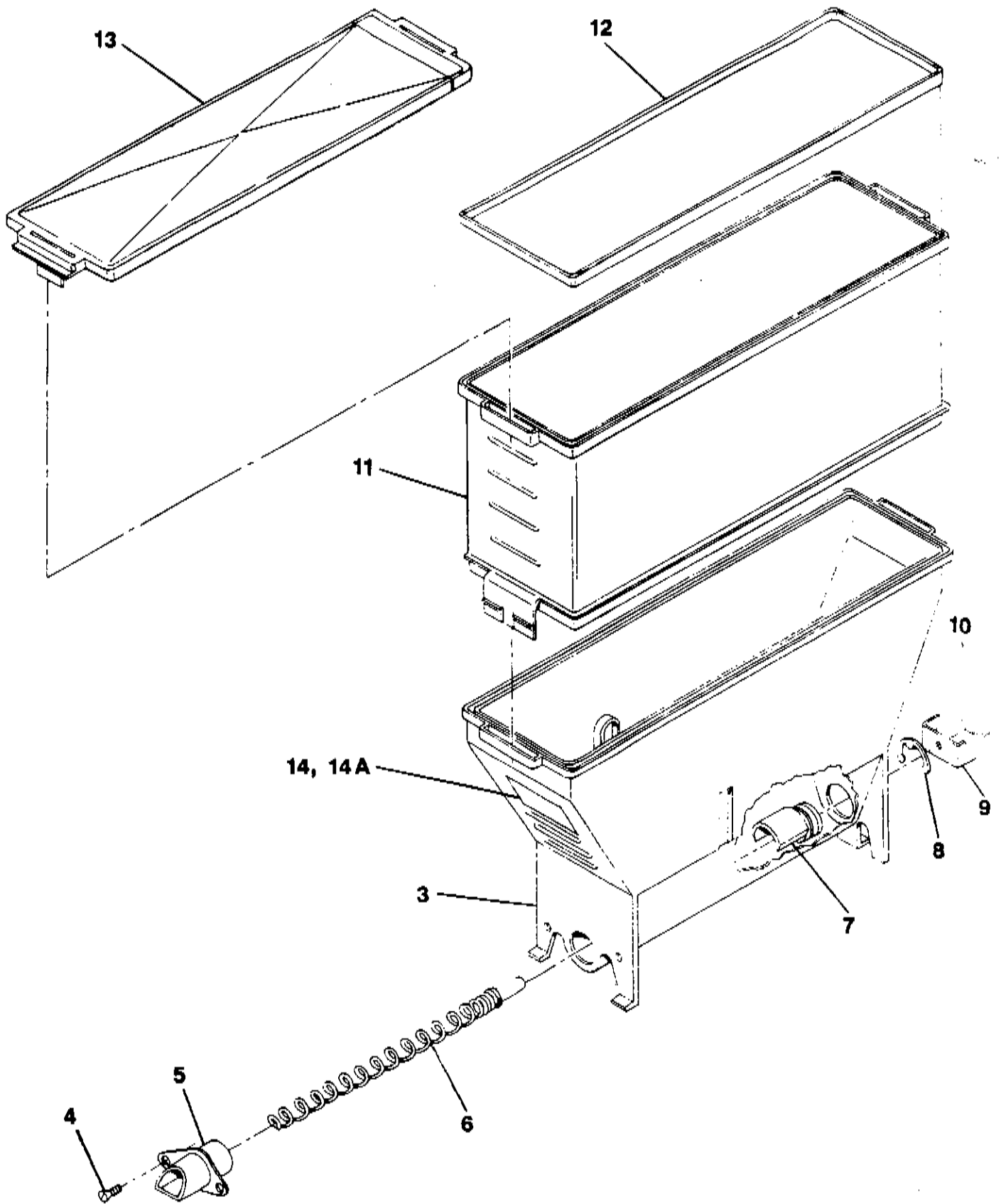
1. 33060 CANISTER ASM, CHOCOLATE, COMPLETE (INCLUDES ITEMS 2, 3-21)
- 1A. 33061 CANISTER ASM, SOUP, COMPLETE (INCLUDES ITEMS 2A, 3-20)
2. 28486 CANISTER ASM, CHOCOLATE, BASIC (INCLUDES ITEMS 3, 4, 5-11)
- 2A. 28487 CANISTER ASM, SOUP, BASIC (INCLUDES ITEMS 3, 4A, 5-11)
3. 20288 CANISTER, BOTTOM BASIC PLASTIC
4. 26643 SPOUT, CANISTER (NO LOUVERS), CHOCOLATE
- 4A. 25961 SPOUT, CANISTER (NO LOUVERS) SOUP
5. 25034 SCREW, 6 X 3/8, FH, PHILLIPS, B, PL
6. 20645 AUGER ASM, COMMODITY
7. 20263 BEARING, REAR
8. 17521-1 RING, RETAINING, BOWED
9. 25969 DRIVER, AUGER
10. 25970 SCREW, AUGER DRIVER
11. 20311 WHEEL, COMMODITY
12. 33079-1 DECAL, CANISTER, CHOCOLATE
- 12A. 33079-6 DECAL, CANISTER, SOUP
13. 23731 EXTENSION ASM, CANISTER (INCLUDES ITEMS 14-18)
14. 23711 EXTENSION, CANISTER, PLASTIC, SOUP (1 REQUIRED)
15. 19927 NUT, 6-32 LOCK, NYLON INSERT
16. 00826 WASHER, FLAT, #6, SCP
17. 24529 SCREW, 6-32 X 5/16, WELD, SS
18. 23757 AGITATOR ASSEMBLY
19. 20647 LID, CANISTER
20. 22251-1 SEAL, CANISTER, EXTRUDED
21. 20290 EXTENSION, CANISTER, PLASTIC, CHOCOLATE (2 REQUIRED)



6.09A

CANISTER ASSEMBLIES: CHOCOLATE AND SOUP WITH AXLE

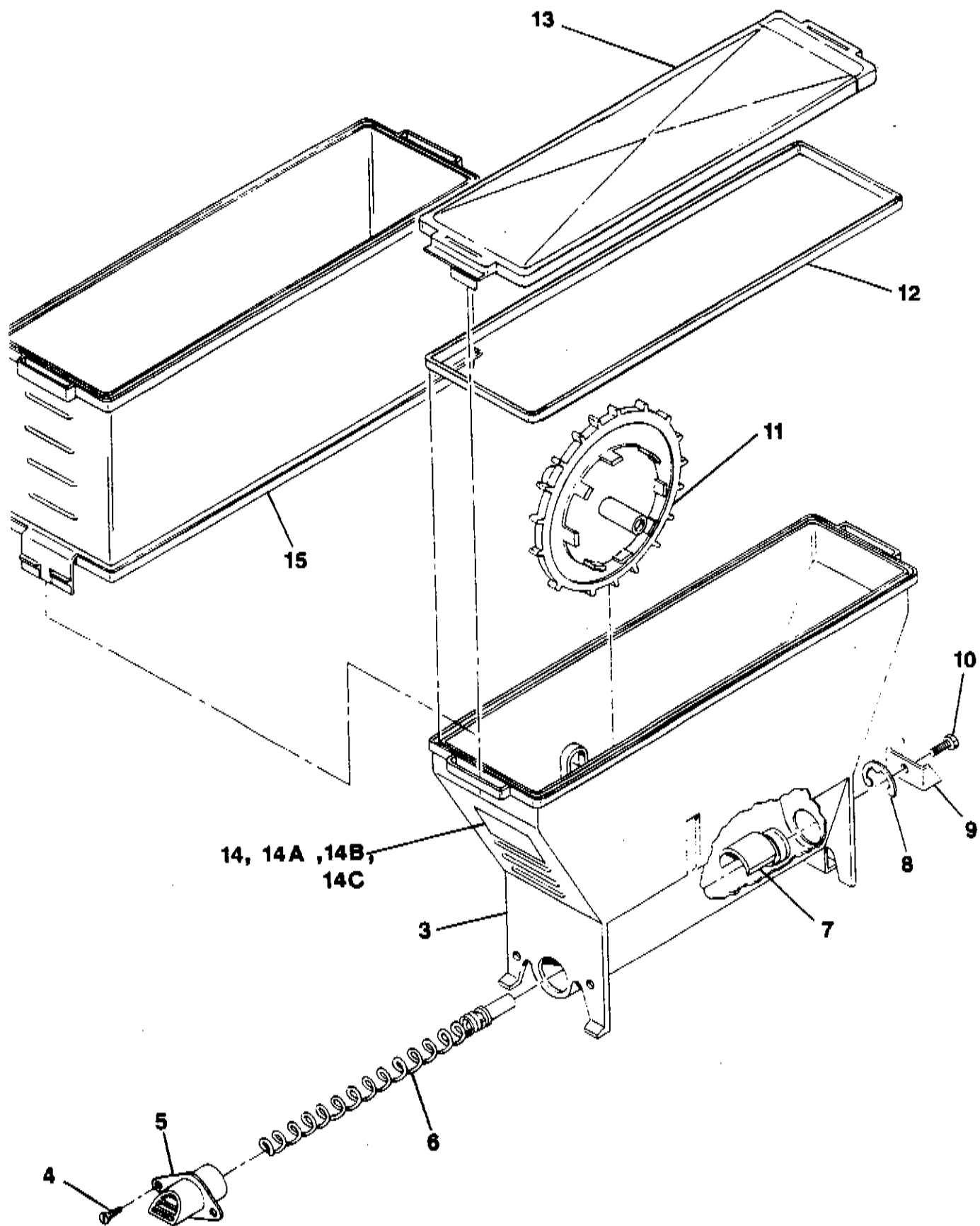
1.	33060	CANISTER ASM, CHOCOLATE, COMPLETE (INCLUDES ITEMS 2, 12-21, 22)
1A.	33081	CANISTER ASM, SOUP, COMPLETE (INCLUDES ITEMS 2A, 3-19, 21A-22)
2.	34838	CANISTER ASM, CHOCOLATE, BASIC (INCLUDES ITEMS 3, 4, 5-11)
2A.	28487	CANISTER ASM, SOUP, BASIC (INCLUDES ITEMS 3, 4A, 5-10, 11A)
3.	34836	CANISTER, BOTTOM BASIC PLASTIC, CHOCOLATE
3A.	20288	CANISTER, BOTTOM BASIC PLASTIC, SOUP
4.	26643	SPOUT, CANISTER (NO LOUVERS), CHOCOLATE
4A.	25961	SPOUT, CANISTER (NO LOUVERS) SOUP
5.	25034	SCREW, 6 X 3/8, FH, PHILLIPS, B, PL
6.	20645	AUGER ASM, COMMODITY
7.	20263	BEARING, REAR
8.	17521-1	RING, RETAINING, BOWED
9.	25969	DRIVER, AUGER
10.	25970	SCREW, AUGER DRIVER
11.	34837	WHEEL, COMMODITY, CHOCOLATE
12.	34835	AXLE, COMMODITY WHEEL, CHOCOLATE
13.	23731	EXTENSION ASM, CANISTER (INCLUDES ITEMS 14-18)
14.	23711	EXTENSION, CANISTER, PLASTIC, SOUP (1 REQUIRED)
15.	19927	NUT, 6-32 LOCK, NYLON INSERT
16.	00826	WASHER, FLAT, #6, SCP
17.	24529	SCREW, 6-32 X 5/16, WELD, SS
18.	23757	AGITATOR ASSEMBLY
19.	20647	LID, CANISTER
20.	20290	EXTENSION, CANISTER, PLASTIC, CHOCOLATE (2 REQUIRED)
21.	33079-1	DECAL, CANISTER, CHOCOLATE
21A.	33079-6	DECAL, CANISTER, SOUP
22.	00825	SCREW, 6-32 X 3/8, RH, M, PL





CANISTER ASSEMBLIES: LEMON TEA AND SUGAR

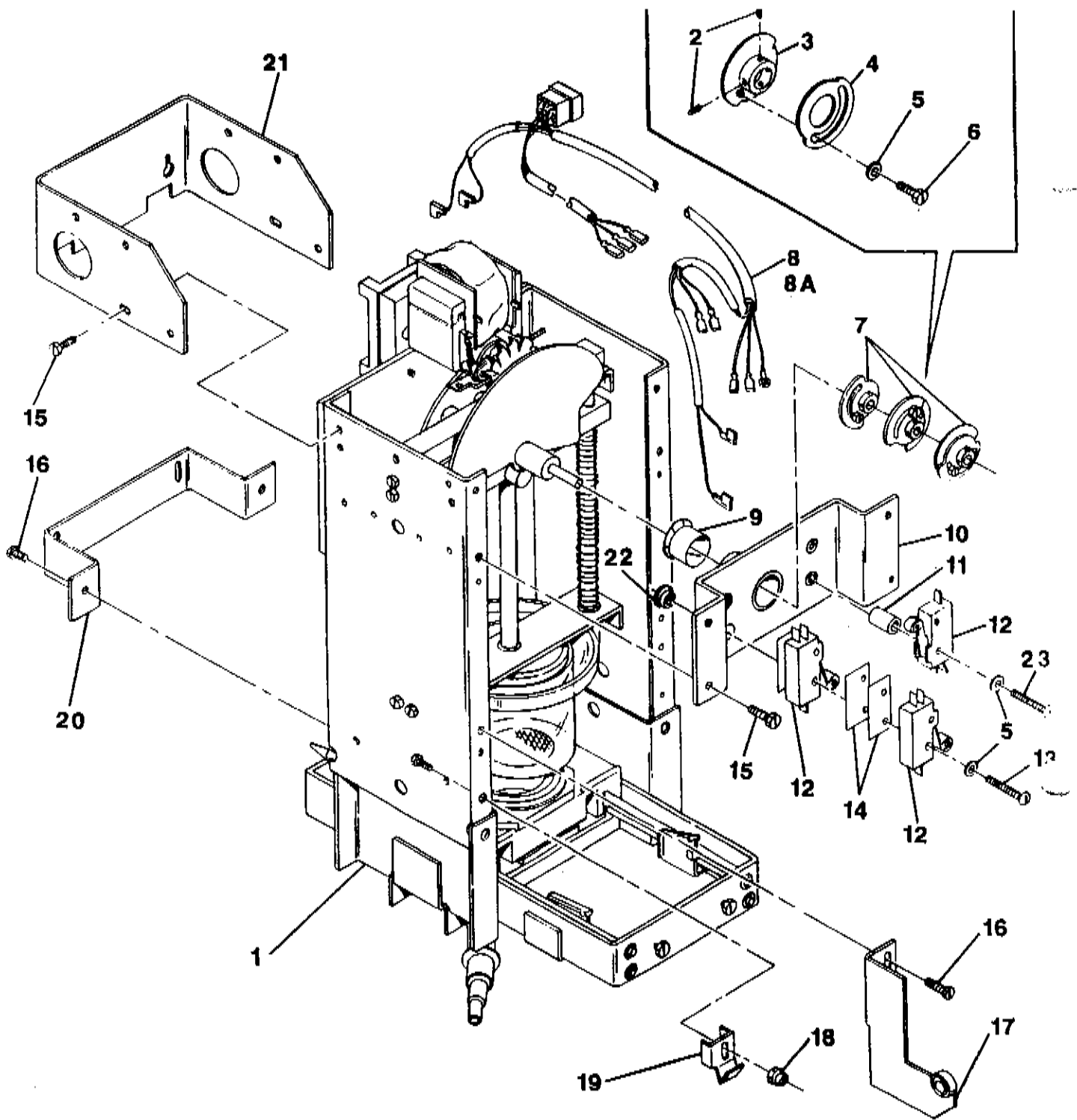
- 1. 33066 CANISTER ASM, LEMON TEA, (NO EXTENSION) COMPLETE  
(INCLUDES ITEMS 2-10, 12-14)
- 1A. 33378 CANISTER ASM, SUGAR (NO EXTENSION) - FOR FD (OR FRESH BREW) TEA, COMPLETE  
(INCLUDES ITEMS 2-10, 12-13, 14A)
- 1B. 33063 CANISTER ASM, SUGAR (WITH EXTENSION) - FOR FD (OR FRESH BREW) COFFEE COMPLETE  
(INCLUDES ITEMS 2-13, 14A)
- 2. 28484 CANISTER ASM, BASIC (INCLUDES ITEMS 3-10)
- 3. 20288 CANISTER, BOTTOM BASIC, PLASTIC
- 4. 25034 SCREW, 6 X 3/8, FH, PHILLIPS, B, PL
- 5. 26643 SPOUT, CANISTER (NO LOUVERS)
- 6. 20645 AUGER ASM, COMMODITY
- 7. 20263 BEARING, REAR
- 8. 17521-1 RING, RETAINING, BOWED
- 9. 25969 DRIVER, AUGER
- 10. 25970 SCREW, AUGER DRIVER
- 11. 20290 EXTENSION, CANISTER PLASTIC
- 12. 22251-1 SEAL, CANISTER, EXTRUDED
- 13. 20647 LID, CANISTER
- 14. 33079-4 DECAL, CANISTER, LEMON TEA
- 14A. 33079-5 DECAL, CANISTER, SUGAR



6.11A

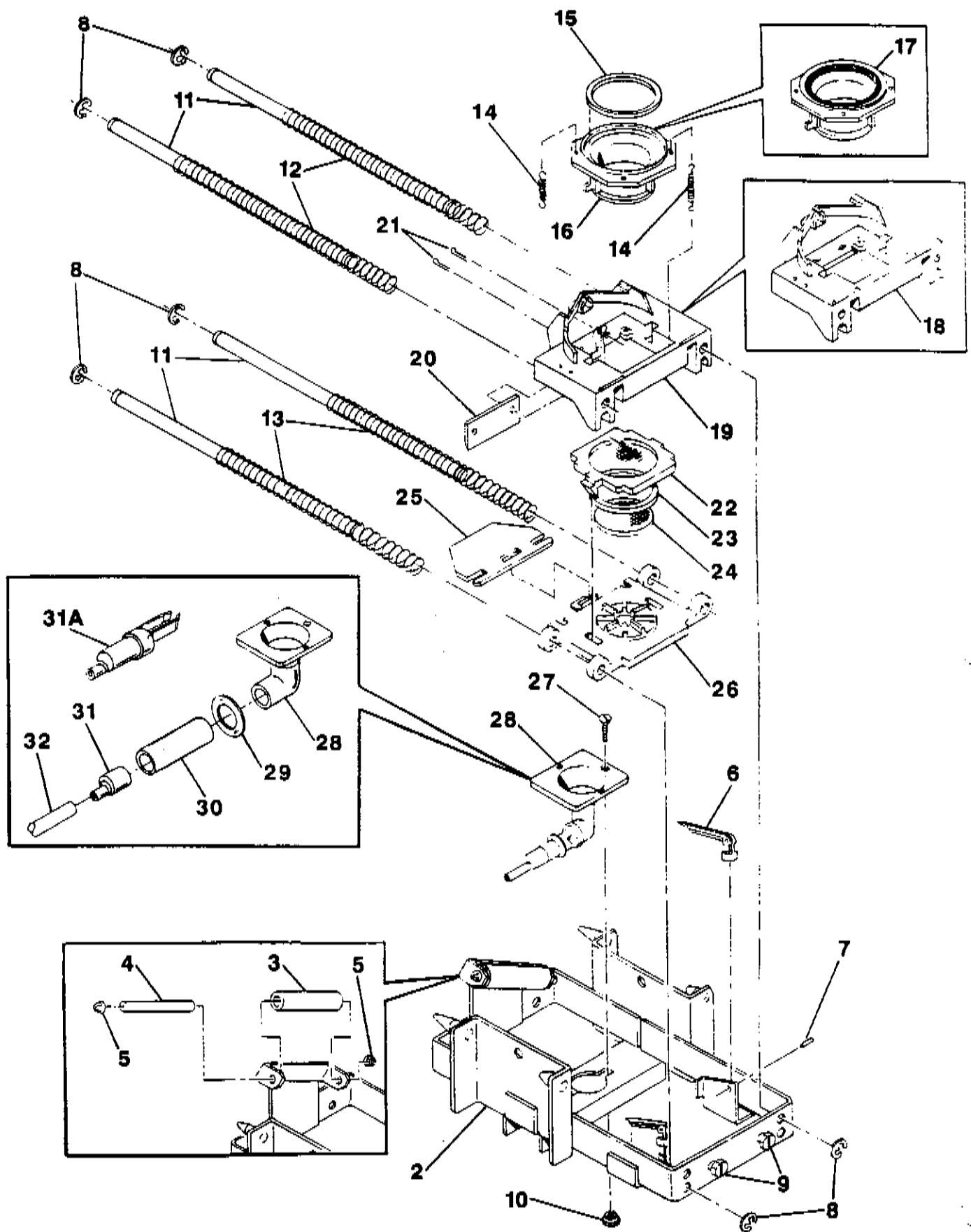
CANISTER ASSEMBLIES: CREAMER, FD (SOLUBLE) TEA, FD (SOLUBLE) COFFEE AND WHITENER

- 1. 33065 CANISTER ASM CREAMER, COMPLETE (INCLUDES ITEMS 2-14, 15)
- 1A. 33062 CANISTER ASM, FD (SOLUBLE) TEA, (NO EXTENSION) COMPLETE  
(INCLUDES ITEMS 2-13 & 14A)
- 1B. 33064 CANISTER ASM, WHITENER, (NO EXTENSION) COMPLETE  
(INCLUDES ITEMS 2-13, 14B & 15)
- 1C. 34059 CANISTER ASM, FD (SOLUBLE) COFFEE, COMPLETE  
(INCLUDES ITEMS 2-13 & 14C, 15)
- 2. 28485 CANISTER ASM, BASIC (INCLUDES ITEMS 3-11)
- 3. 20288 CANISTER, BOTTOM BASIC, PLASTIC
- 4. 25034 SCREW, 6X 3/8, FH, PHILLIPS, B, PL
- 5. 26643-1 SPOUT, CANISTER, LOUVERED
- 6. 20645 AUGER ASM., COMMODITY
- 7. 20263 BEARING, REAR
- 8. 17521-1 RING, RETAINING, BOWED
- 9. 25969 DRIVER, AUGER
- 10. 25970 SCREW, AUGER DRIVER
- 11. 20311 WHEEL, COMMODITY
- 12. 22251-1 SEAL, CANISTER, EXTRUDED
- 13. 20647 LID, CANISTER
- 14. 33079-3 DECAL, CANISTER, CREAMER
- 14A. 33079-7 DECAL, CANISTER, TEA
- 14B. 33079-8 DECAL, CANISTER, WHITENER
- 14C. 33079-2 DECAL, CANISTER, COFFEE
- 15. 20290 EXTENSION, CANISTER, PLASTIC, CREAMER



BREWER ASSEMBLY

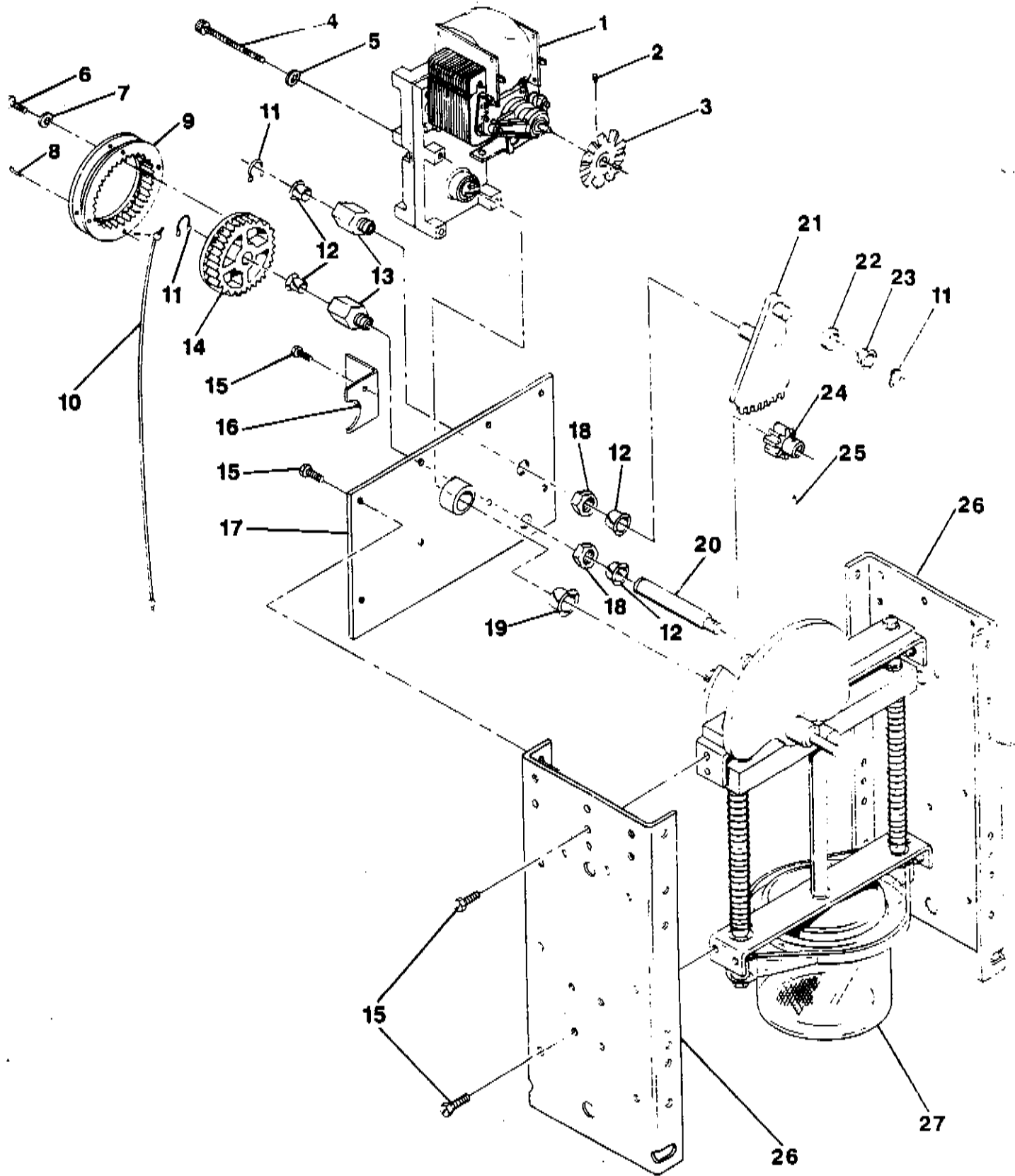
- 1. 32882 BREWER ASSEMBLY, COMPLETE, VERSION 1 SOFTWARE
- 1A. 35313 BREWER ASSEMBLY, COMPLETE, VERSION 2 SOFTWARE
- 2. 00652 SCREW, 6-32 X 3/16, SOCKET SET, CUP POINT
- 3. 13151 CAM W/HUB, STATIONARY, TAPPED
- 4. 13152 CAM, SLOTTED
- 5. 00826 WASHER, FLAT #6 SCP
- 6. 13154 SCREW, 6-32 X 1/4 HH SD SCP
- 7. 13147 CAM ASSEMBLY
- 8. 32644 HARNESS ASM, BREWER
- 8A. 34959 HARNESS ASM, BREWER, TUV
- 9. 16058-5 NYLINER, 12L12 FGS
- 10. 18971 CHANNEL ASM, FRONT, BREWER
- 11. 17874 SPACER, NYLON
- 12. 17583 SWITCH, UNIMAX AA413C
- 13. 17428 SCREW, 6-32 X 1 3/4, PH SCP
- 14. 19557 INSULATION, SWITCH, FLAT FISHPAPER
- 15. 14805 SCREW, 10-32 X 3/8, HH, SCP, SD
- 16. 14806 SCREW, 8-32 X 3/8, HH, SCP, F, SD WA
- 17. 32813 BRACKET ASM, POSITIONER, SWING-OUT
- 18. 21042 NUT, 8-32 STOP, SCP
- 19. 32715 BRACKET, LATCH, BREWER BASE
- 20. 33027 BRACKET, BREWER SUPPORT & SHIPPING
- 21. 33040 BRACKET, BREWER, COFFEE
- 22. 17848 NUT, BREWER SWITCH MTG, NYLON INSULATION
- 23. 08247 SCREW, 6-32 X 1 1/2, PH, SCP



### BREWER BASE ASSEMBLY

1. 30568 BASE ASM COMPLETE (INCLUDES ITEMS 2-28)
2. 28531 FRAME ASM, BASE, WELDED (ONLY)
3. 14370 IDLER, ROLLER
4. 16291 SHAFT, IDLER
5. 16419 NUT, PUSH, ACORN, PALNUT
6. 15019 PAWL
7. 14780 PIN, ROLL 1/16 X 1/4, SS
8. 14499 RING, RETAINING, 1/4 BCU
9. 14805 SCREW, 10-32 X 3/8, HH SD SCP
10. 04862 NUT, 6-32, KN, THUMB
11. 14344 ROD, CARRIAGE & FILTER SUPPORT
12. 15528 SPRING, CARRIAGE RETURN
13. 14354 SPRING, FILTER RETURN
14. 14435 SPRING, BREW CHAMBER
15. 12798 SEAL, BREW CAVITY
16. 28406 CHAMBER, BREW
17. 29372 CHAMBER WITH SEAL INSTALLED (ITEMS 14 & 15)
18. 29373 CARRIAGE, BREW WITH WIPER INSTALLED (ITEMS 19 & 20)
19. 15018 CARRIAGE, BREW
20. 28526 BLADE, WIPER, RUBBER
21. 06031 PIN, COTTER, 1/16 X 1/2, SS
22. 16721 FILTER, MOLDED, BROWN
23. 16724 SEAL, RING FILTER
24. 16723 SCREEN, FILTER
25. 27926 COVER, FUNNEL
26. 28020 SUPPORT, SCREEN, FILTER
27. 15022 SCREW, 6-32 X 1/2, FH, SS
28. 17898 FUNNEL, POLY
29. \*19047 RING, DRIP
30. \*11115 TUBE PVC 5/8 X 13/16 X 3/32  
(BULK NO. SOLD PER INCH; 9 IN. REQUIRED PER UNIT)
31. \*32285 ADAPTER, BREWER, TUBE-TROUGH
- 31A. \*27370 ADAPTER, BREWER, FUNNEL/COM TROUGH
32. \*19033 TUBE, SILICONE, 5/16 X 3/32, BROWN  
(BULK NO. SOLD PER INCH; 2 IN. REQUIRED PER UNIT)

\* ITEMS 29-32 ARE NOT INCLUDED IN BASE ASSEMBLY (ITEM 1).

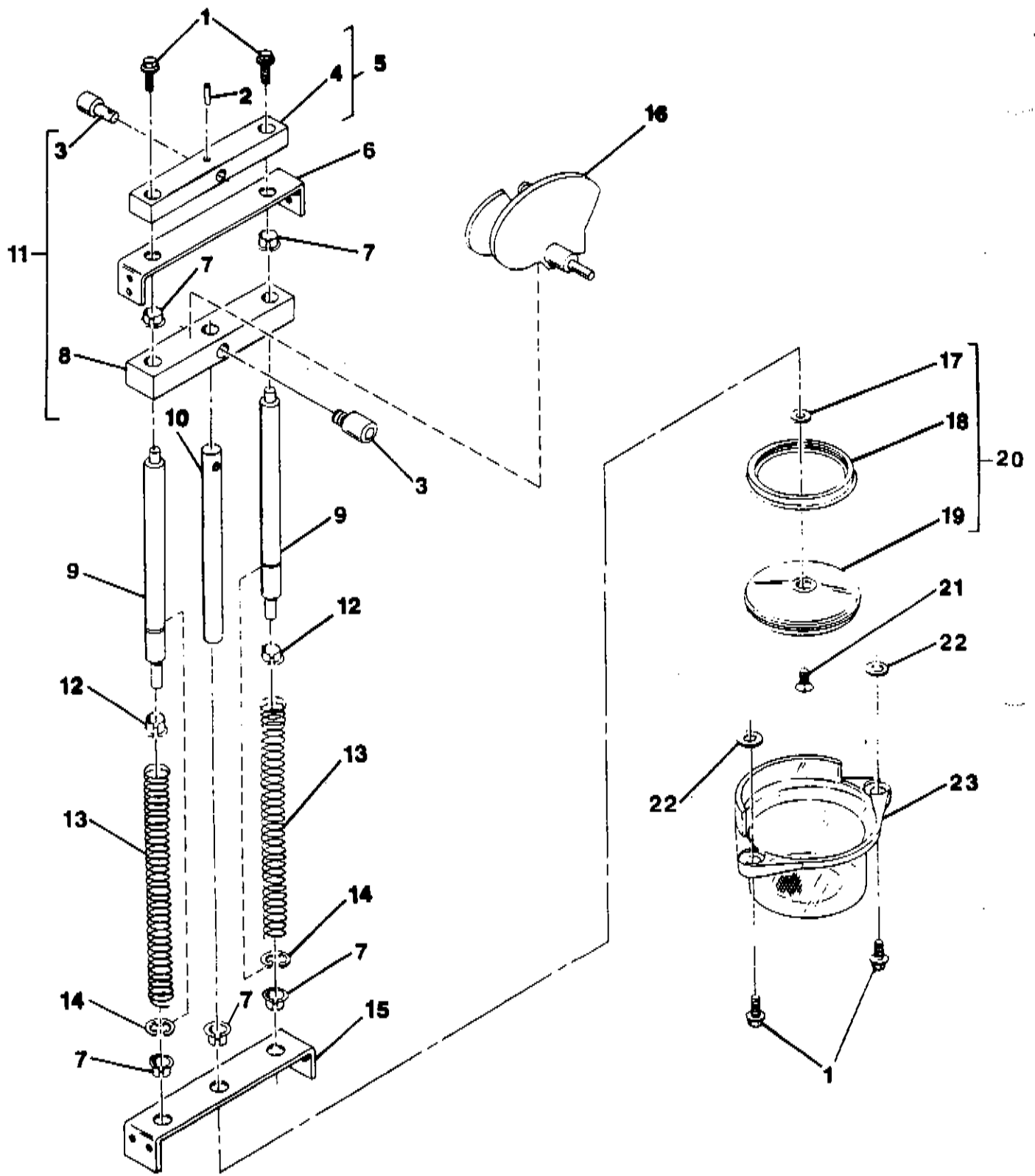


7.03



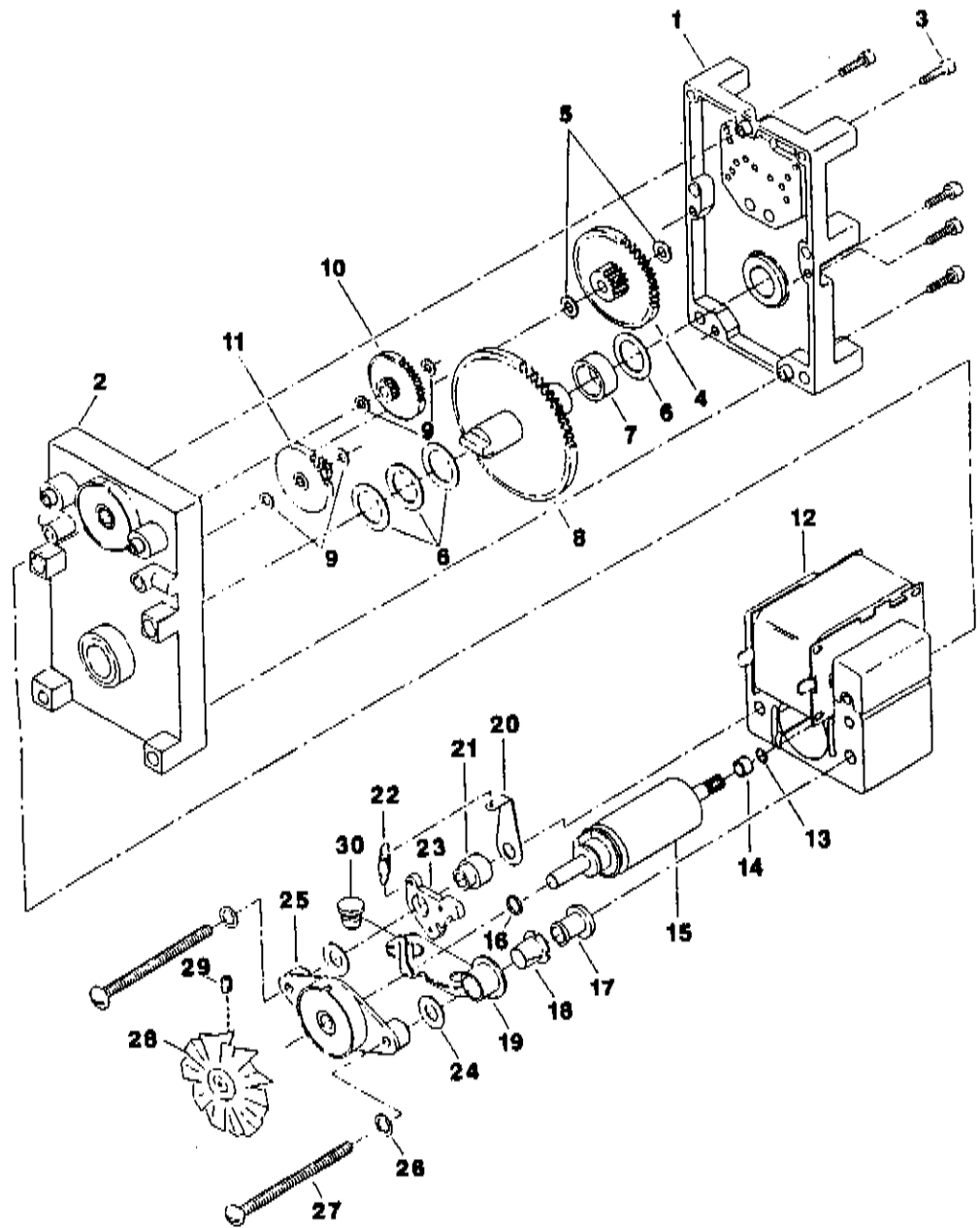
BREWER BACK PANEL, FRONT CHANNEL & MAIN FRAME ASSEMBLIES

1. 17365 MOTOR, BREWER
2. 03272 SCREW, 8-32 X 3/16, NYLK, SK SET
3. 17584 BLADE, FAN, 1 5/8 DIA.
4. 17846 SCREW, 10-32 X 2", SOCKET HEAD CAP
5. 17423 WASHER, LOCK, #10 INT. STAR, SCP
6. 14806 SCREW, 8-32 X 3/8, HH SCP F SD WA
7. 00961 WASHER, FLAT #8, SCP
8. 17412 PIN, COTTER, 1/16 X 3/4 SS
9. 15553 SPOOL, OUTER
10. 17404 CABLE ASM, SLOW RETURN
11. 07296 RING, RETAINING, 3/8 BCU, WALDES 5100-37MD
12. 16058 NYLINER, 6L6F
13. 17683 SLEEVE, BEARING
14. 15554 SPOOL, INNER
15. 14805 SCREW, 10-32 X 3/8, HH, SD, SCP
16. 17356 GUARD, BREWER CABLE
17. 17531 PANEL ASM, BREWER BACK
18. 00822 NUT, 5/8-18 X 3/16, HEX, BRASS
19. 16058-5 NYLINER, 12L12FGS
20. 15521 SHAFT, PINION
21. 15522 GEAR ASM SEGMENT
22. 15512 CAM FOLLOWER
23. 16438 NYLINER, CAM FOLLOWER
24. 15520 GEAR, PINION
25. 14511 PIN, ROLL, 3/32 X 1/2, SS
26. 17332 CHANNEL, BREWER SIDE
27. CYLINDER & PISTON ASM, BREWER (SEE MANUAL, PG. 7.04)



BREWER CYLINDER AND PISTON ASSEMBLIES

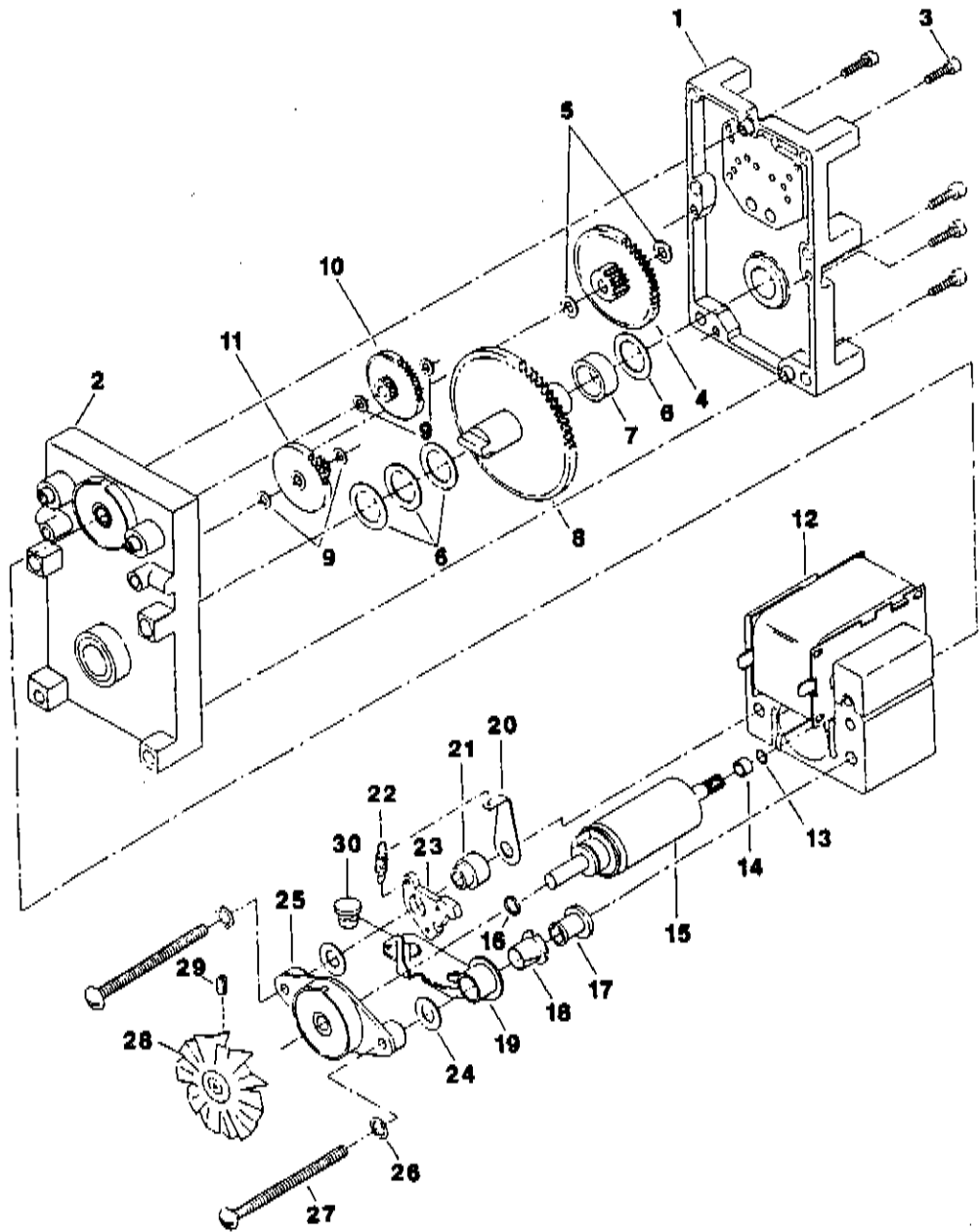
1. 17415 SCREW, 1/4-20 X 1/2, HH WA M SCP
2. 14511 PIN, ROLL, 3-32 X 1/2, SS
3. 11947 FOLLOWER, CAM, SEALED
4. 17324 BRIDGE, CYLINDER
5. 18996 BRIDGE ASM CYLINDER (INCLUDES ITEMS, 2,3 & 4)
6. 17326 BRACKET, GUIDE TOP
7. 16058-17 NYLINER, 8L2FF
8. 17323 BRIDGE, PISTON
9. 17322 ROD, CYLINDER
10. 17327 ROD, PISTON
11. 18997 BRIDGE ASM, PISTON (INCLUDES ITEMS 3,8 & 10)
12. 16058-16 NYLINER, 8L12F
13. 11956 SPRING, PISTON RETURN
14. 17426 RING, RETAINING, 7/16 SS
15. 17325 BRACKET, GUIDE, BOTTOM
16. 17519 CAM ASM
17. 13085 GASKET, PISTON
18. 29482 SEAL, PISTON, WHITE SILICONE
19. 29481 PISTON, MOLDED, RED
20. 29483 PISTON ASM RED W/WHITE SEAL (INCLUDES ITEMS 18-19)
21. 12716 SCREW, 1/4-20 X 1 1/4 SS
22. 13839 WASHER, CYLINDER, 3/8 X 11/16 X 1/16 SS
23. 32714 CYLINDER, BREWER



## BREWER MOTOR

17365 IS THE COMPLETE MOTOR - ONLY COMPONENTS SHOWN WITH RMI ITEM NUMBERS ARE STOCKED BY RMI - OTHERS ARE NOT AVAILABLE AS SEPARATE SPARE PARTS.

1. CASE ASM, GEAR, MOUNTING SIDE
2. CASE ASM, GEAR, MOTOR SIDE
3. SCREW, COVER
4. 28417 GEAR & PINION, 3RD POSITION
5. WASHER, SPACER
6. SPACER, OUTPUT SHAFT
7. SPACER, OUTPUT SHAFT
8. 28418 GEAR & OUTPUT SHAFT
9. WASHER, SPACER
10. 28416 GEAR & PINION, 2ND POSITION
11. 28415 GEAR & PINION, 1ST POSITION
12. STRATOR & COIL ASM
13. WASHER
14. SPACER, PLASTIC
15. ROTOR & SHAFT ASM
16. SPACER
17. PIVOT, ARMATURE SLIDE
18. BEARING, NYLINER
19. 22767 ARMATURE ASM
20. BRACKET, SPRING
21. PIVOT, PAWL SIDE
22. 21495 SPRING, BRAKE
23. 21494 ARM, BRAKE, PLASTIC
24. WASHER
25. 22692 BEARING & BRACKET ASM
26. WASHER, INTERNAL LOCK
27. 22772 SCREW, 8-32 X 2 1/2, RH
28. 17584 BLADE, FAN, 1 5/8 DIA.
29. 03272 SCREW, 8-32 X 3/16, NYLK, SK SET
30. 29178 GROMMET, SILICONE BRAKE PAD

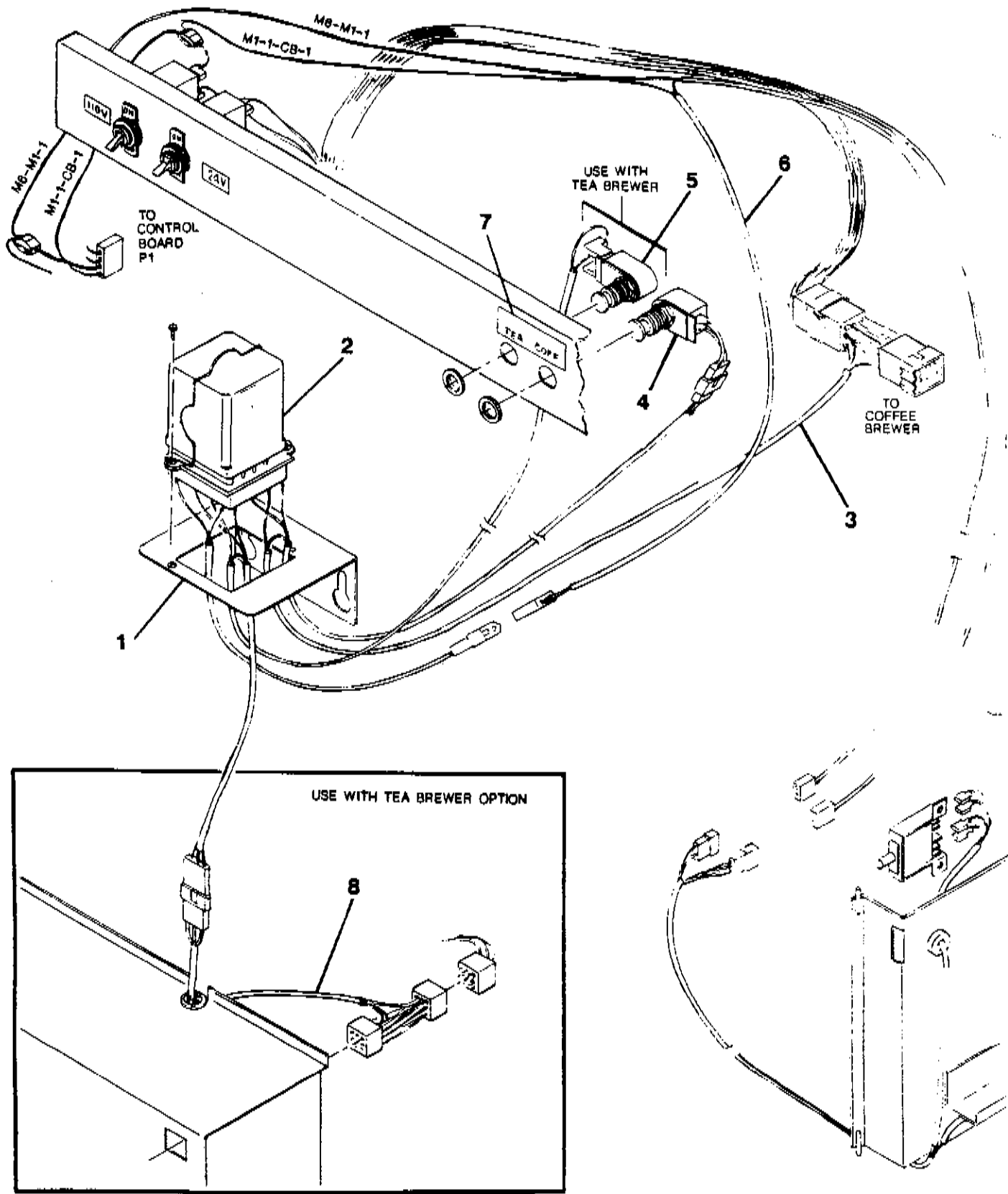


7.05A

BREWER MOTOR - 105V/50HZ

34076 IS THE COMPLETE MOTOR - ONLY COMPONENTS SHOWN WITH RMI ITEM NUMBERS ARE STOCKED BY RMI - OTHERS ARE NOT AVAILABLE AS SEPARATE SPARE PARTS.

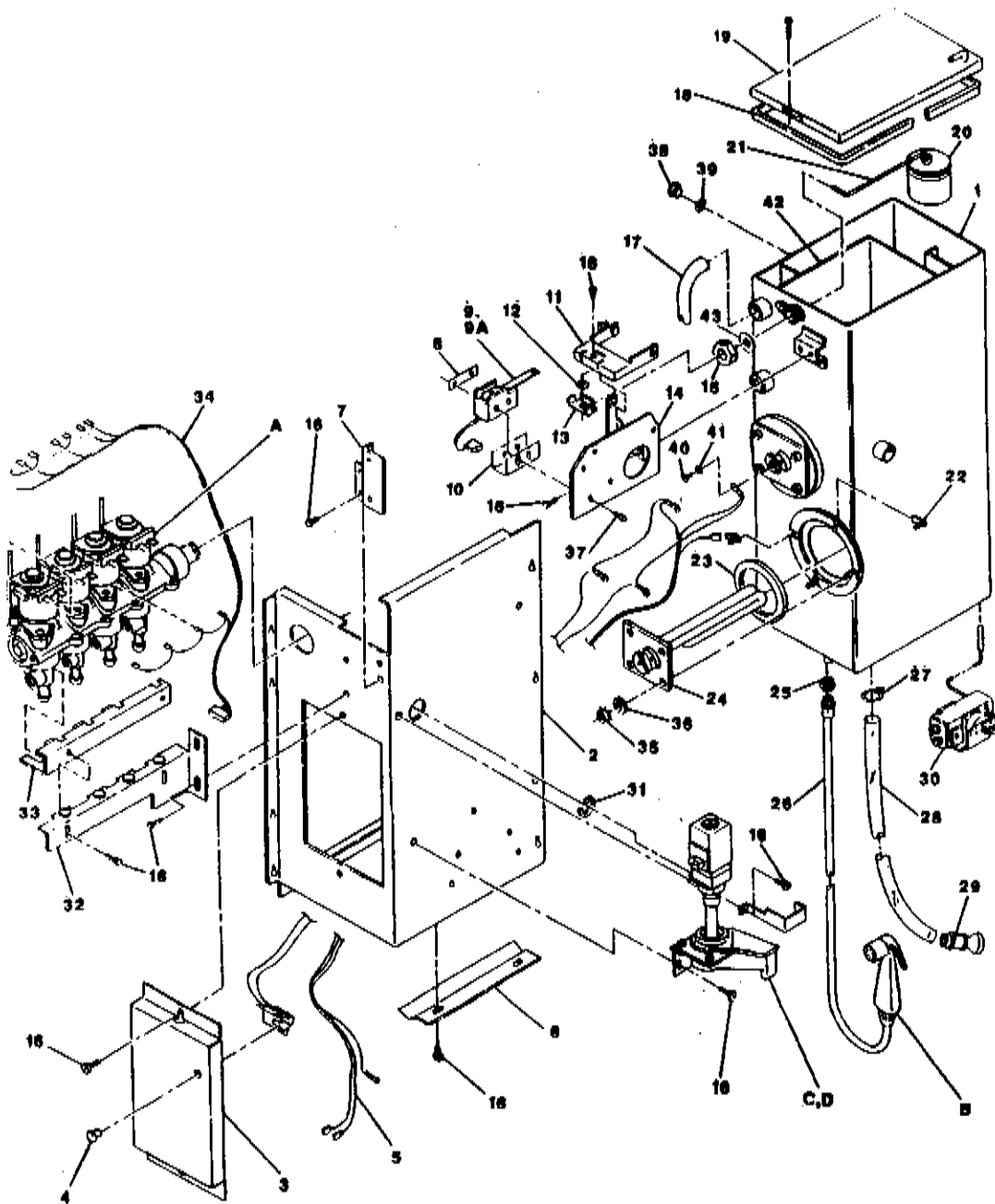
1. CASE ASM, GEAR, MOUNTING SIDE
2. CASE ASM, GEAR, MOTOR SIDE
3. SCREW, COVER
4. GEAR & PINION, 3RD POSITION
5. WASHER, SPACER
6. SPACER, OUTPUT SHAFT
7. SPACER, OUTPUT SHAFT
8. GEAR & OUTPUT SHAFT
9. WASHER, SPACER
10. GEAR & PINION, 2ND POSITION
11. GEAR & PINION, 1ST POSITION
12. STRATOR & COIL ASM
13. WASHER
14. SPACER, PLASTIC
15. ROTOR & SHAFT ASM
16. SPACER
17. PIVOT, ARMATURE SLIDE
18. BEARING, NYLINER
19. 22767 ARMATURE ASM
20. BRACKET, SPRING
21. PIVOT, PAWL SIDE
22. 21495 SPRING, BRAKE
23. 21494 ARM, BRAKE, PLASTIC
24. WASHER
25. 22692 BEARING & BRACKET ASM
26. WASHER, INTERNAL LOCK
27. 22772 SCREW, 8-32 X 2 1/2, RH
28. 17584 BLADE, FAN, 1 5/8 DIA.
29. 03272 SCREW, 8-32 X 3/16, NYLK, SK SET
30. 29178 GROMMET, SILICONE BRAKE PAD





### BREWER SERVICE SWITCHES

1. 31394 BRACKET, RELAY
2. 16759 RELAY, 3PDT, PLUG-IN
3. 34650 ADAPTER ASM, SERVICE PUSH-BUTTON, RELAY
4. 34652 SWITCH ASM, SERVICE PUSH-BUTTON, COFFEE BREWER
5. 14572 SWITCH, CYCLE
6. 34653 ADAPTER ASM, SERVICE PUSH-BUTTON, POWER
7. 34666 DECAL, BREWER SWITCHES, TEA & COFFEE
8. 34651 ADAPTER ASM, SERVICE PUSH-BUTTON, TEA BREWER

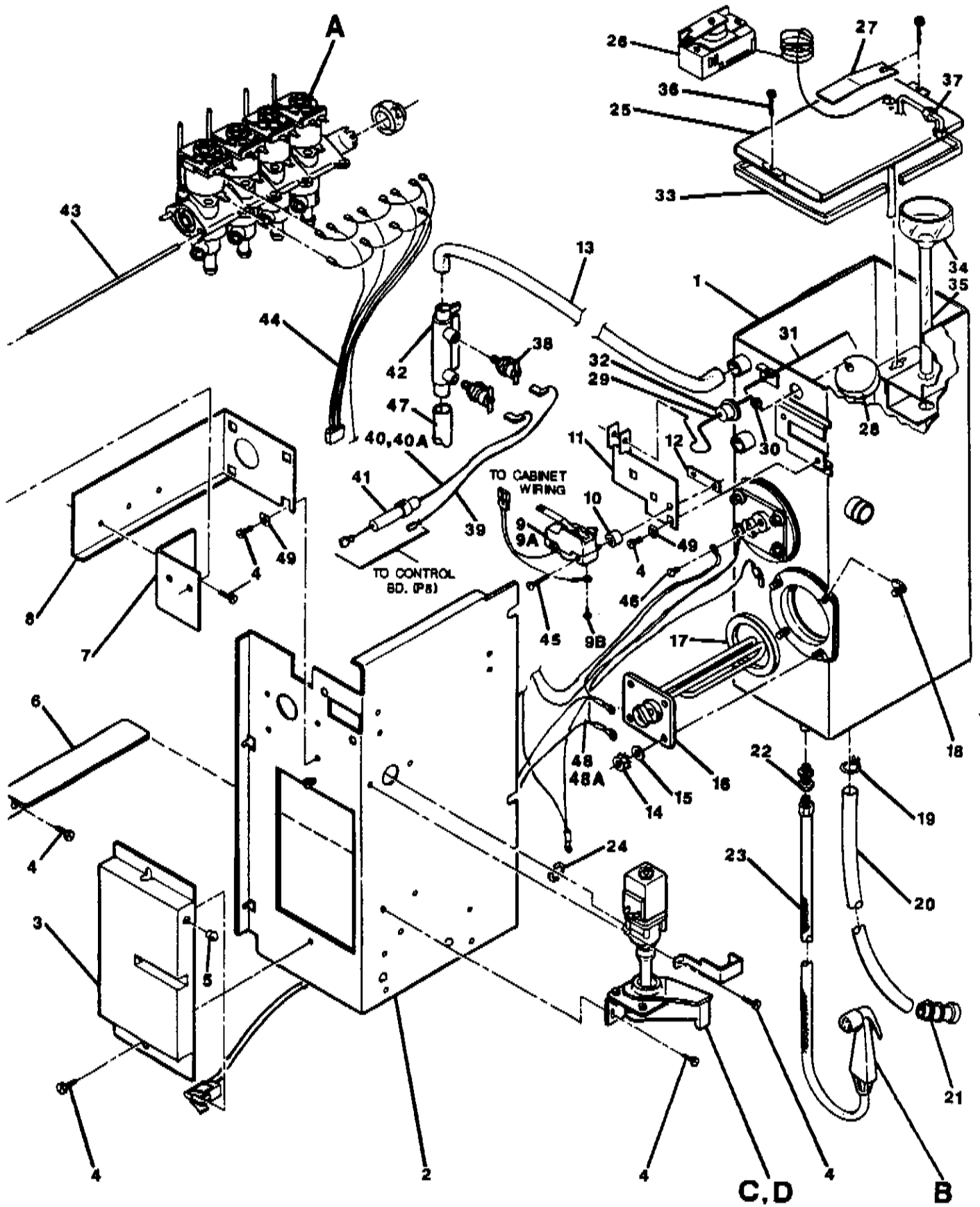


8.01

TANK ASSEMBLY, HOT WATER

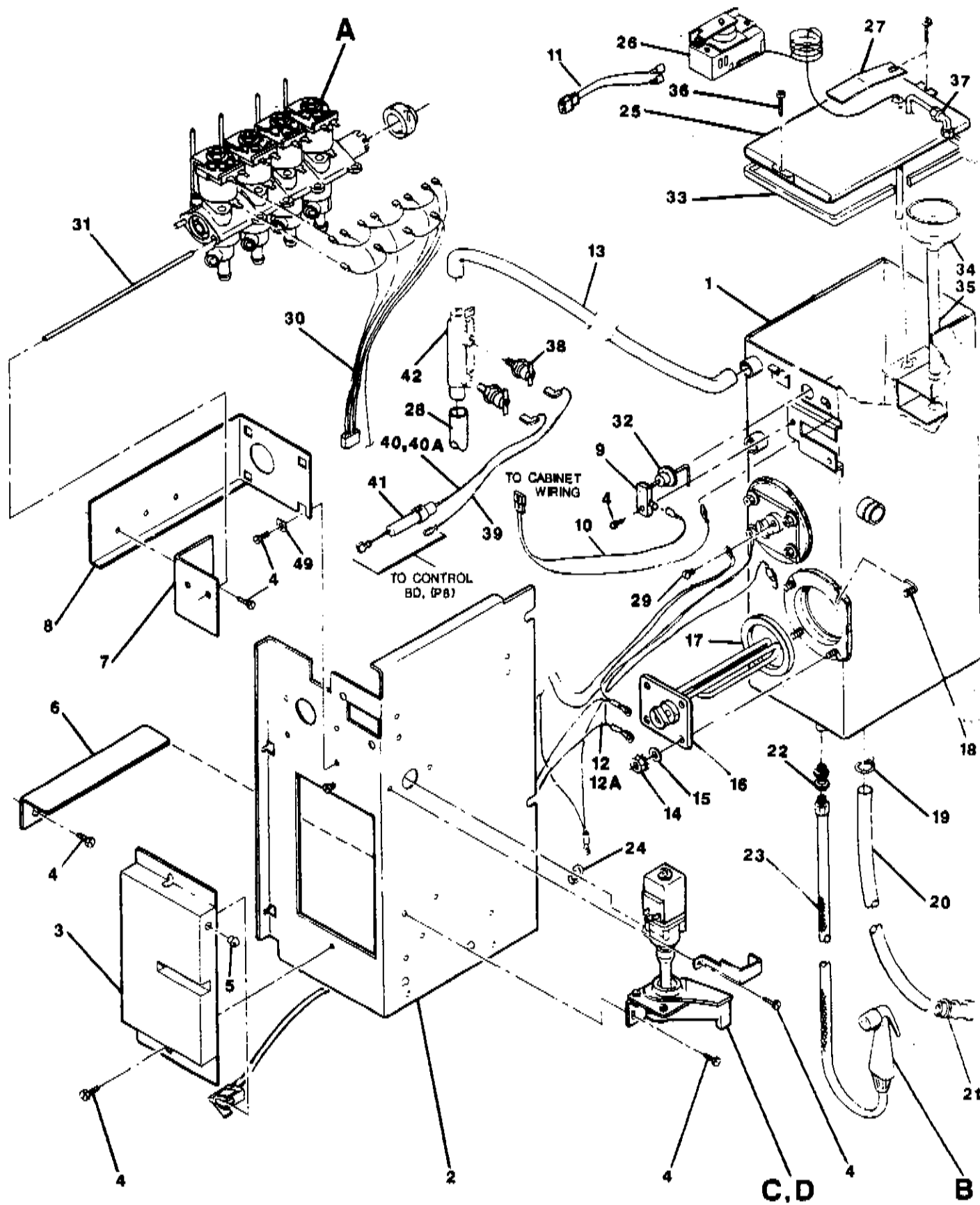
1.	33683	TANK ASSEMBLY, WELDED
2.	33700	JACKET ASM, HTW TANK, WELDED
3.	33275	COVER ASM, HTW TANK JACKET
4.	27934	LENS, RED
5.	33490	HARNESS ASM, HEATER POWER
6.	33425	BRACKET, THERMOSTAT HOLDER
7.	33464	BRACKET ASM, BREWER COVER
8.	01179	NUT, 6-32, TWIN-SPEED
9.	32917	SWITCH ASM, WIRED
9A.	19509	SWITCH (ONLY)
10.	00784	COVER, INSULATION
11.	33266	BRACKET ASM, FLOAT ROD
12.	00961	WASHER, FLAT #8, SCP
13.	33231	BRACKET ASM, CLAMPING FLOAT ROD
14.	33235	BRACKET, FLOAT SWITCH
15.	33017	NUT, FITTING, FLOAT ROD SUPPORT
16.	14806	SCREW, 6-32 X 3/8 HH, SCP, F, SD WA
17.	24760	TUBE, OVERFLOW, EPDM, 3/4 ID X 1" OD (BULK NO. PER INCH, 5 FEET PER UNIT)
18.	22527	GASKET, HTW TANK (BULK NO. PER INCH; 23 IN. PER UNIT)
19.	33249	LID ASM, HTW TANK, WELDED
20.	25770	FLOAT, POLYSULFONE, NATURAL
21.	33228	ROD, FLOAT, HTW TANK
22.	24496	SCREW, 1/4-20 X 3/4, WELD, SS 2112ZP
23.	22262	GASKET (ONLY), HEATER (PART OF ITEM 20)
24.	32894	HEATER & GASKET, 220V/1200W
25.	08229	ADAPTER, BRASS, 1/4 MPT X 1/8 FPT
26.	14494	FAUCET & RINSE HOSE ASM.
27.	14488	CLAMP, EATON #18
28.	33552	TUBE, DRAIN, SILICONE, 3/4 ID X 1" OD, BROWN (BULK NO. PER INCH, 35 IN. PER UNIT)
29.	33553	PLUG, DRAIN HOSE
30.	33379	THERMOSTAT, ADJUSTABLE
31.	17521	RING, RETAINING, E, 1 3/16 BCU
32.	32924	BRACKET ASM, COMMODITY VALVES (MULLER, 4 VALVES)
33.	32941	BRACKET ASM, COMMODITY VALVES (MULLER, 4 VALVES)
34.	33073	HARNESS ASM, COMMODITY VALVES
35.	12518	NUT, 1/4-20 KEP, SCP
36.	21916	WASHER, FLAT, 17/64 X 9/16, SCP
37.	00050	SCREW, 6-32 X 1, RH, SCP
38.	33433	PLUG, HTW TANK
39.	33492	RING, 'O', .676 ID X .070 THK., RED
40.	101810-4	SCREW, 10-32 X 1/4, RH, M, SS
41.	17423	WASHER, LOCK, #10, INTERNAL STAR, SCP
42.	33507	BAFFLE ASM, HOT WATER TANK
43.	33015	SEAL, HTW TANK

NOTE: DETAILS A-D: SEE MANUAL PAGE 8.02



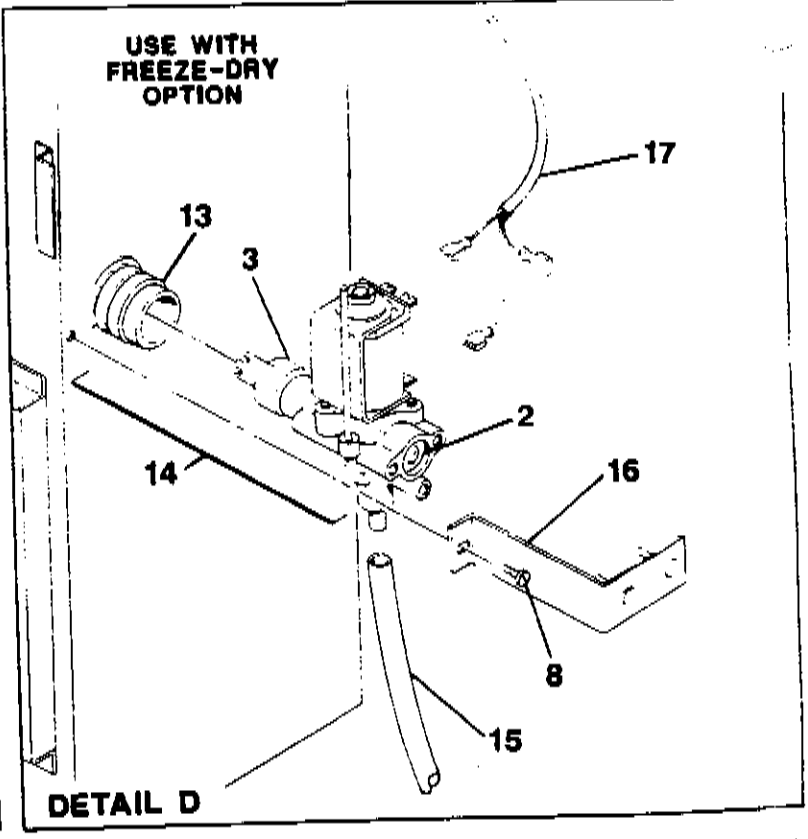
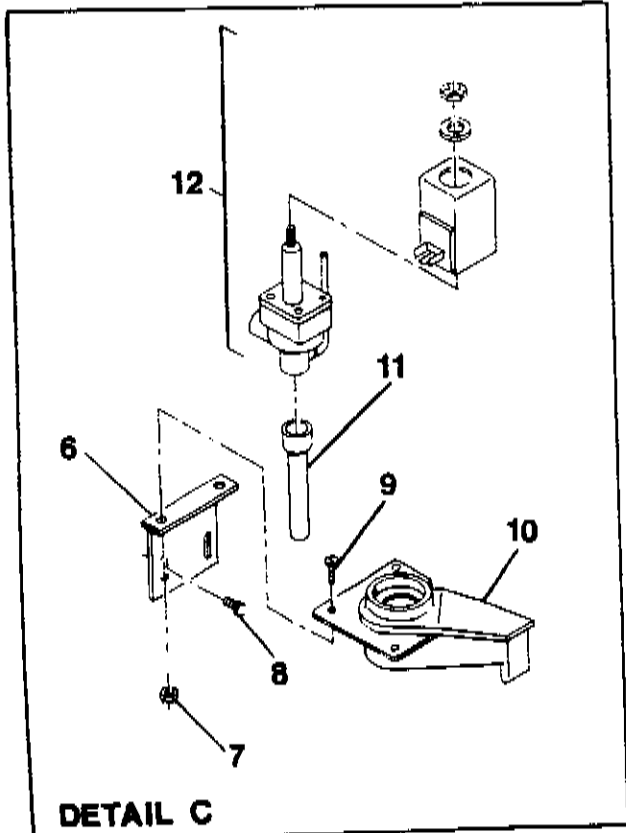
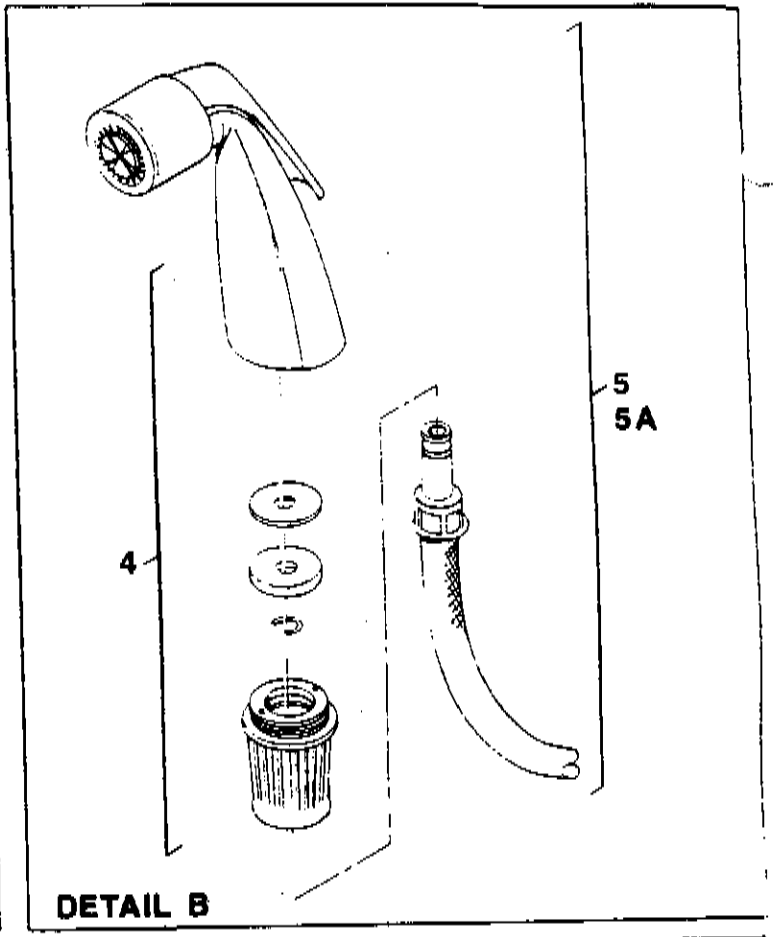
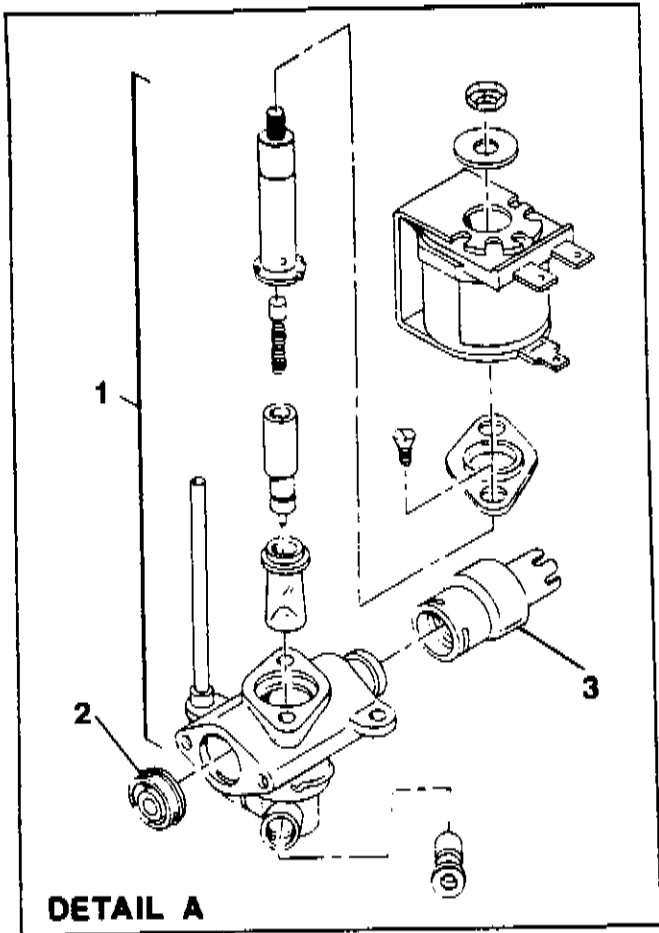
TANK ASSEMBLY, HOT WATER (REVISED WITH SS ROUND FLOAT)

1.	34104	TANK ASSEMBLY, WELDED
2.	33758	JACKET ASM, HTW TANK, WELDED
3.	33275	COVER ASM, HTW TANK JACKET
4.	14806	SCREW, 8-32 X 3/8, HH, SCP, F, SD WA
5.	27934	LENS, RED
6.	33763	BRACKET, HTW TANK
7.	34205	RETAINER, VALVE, MULLER
8.	34206	BRACKET, VALVE, MULLER
9.	33827	SWITCH ASM, HEATER, WIRED
9A.	19509	SWITCH, FLOAT (ONLY)
9B.		SCREW (PART OF ITEM 9A - NOT SOLD SEPARATELY)
10.	17874	SPACER, NYLON
11.	33781	PLATE ASM, SWITCH MOUNTING
12.	01179	NUT, 6-32, TWIN-SPEED
13.	24760-1	TUBE, OVERTEMP THERMOSTAT, 13 IN.
14.	12518	NUT, 1/4-20 KEP, SCP
15.	21916	WASHER, FLAT, 17/64 X 9/16, SCP
16.	32894	HEATER & GASKET, 220/240V, 1200W
17.	22262	GASKET (ONLY), HEATER (PART OF ITEM 16)
18.	24496	SCREW, 1/4-20 X 3/4, WELD, SS 2112ZP
19.	14488	CLAMP, EATON #18
20.	33552	TUBE, DRAIN, SILICONE, 3/4 ID X 1" OD, BROWN (BULK NO. PER INCH, 35 IN. PER UNIT)
21.	33553	PLUG, DRAIN HOSE
22.	08229	ADAPTER, BRASS, 1/4 MPT X 1/8 FPT
23.	14494-1	FAUCET & RINSE HOSE, 8 FT.
24.	17521	RING, RETAINING, E, 1 3/16, BCU
25.	34095	LID ASM, HTW TANK, WELDED
26.	380266	CONTROL, TEMPERATURE, HTW TANK
27.	33808	BRACKET, THERMOSTAT RETAINER
28.	420231	FLOAT, SS, TEFLON COATED, ROUND
29.	34777	ROD, FLOAT (FOR SS ROUND FLOAT)
30.	00046	NUT, 6-32 HEX, BRASS
31.	34647	FLOAT & ROD ASM (INCLUDES ITEMS 28 - 30)
32.	33859	BOOT, FLOAT ROD
33.	22527	GASKET, HTW TANK (BULK NO. PER INCH)
34.	33800	FUNNEL, WATER-IN
35.	33789-1	TUBE, FILL
36.	17654	SCREW, 6-32 X 1, PH, F, TP
37.	26189	ELBOW, 1/4 TUBE, BRASS, UNION
38.	34438	THERMOSTAT, 150 DEG, SPST
39.	34161	JUMPER ASM, WHITE, OVERTEMP
40.	34160	JUMPER ASM, BLUE, OVERTEMP (INCLUDES FUSE HOLDER)
40A.	35035	JUMPER ASM, BLUE, OVERTEMP (WITHOUT FUSE HOLDER)
41.	34272-2	FUSE, 15 AMP, 1/4 X 1 1/4, ABC10
42.	34678	TUBE, OVERTEMP THERMOSTAT
43.	34199	ROD, MULLER VALVE
44.	34810	HARNESS ASM, VALVES, HTW TANK
45.	00050	SCREW, 6-32 X 1, RH, SCP
46.	101S10-4	SCREW, 10-32 X 1/4, RH, M, SS
47.	24760-2	TUBE, OVERTEMP THERMOSTAT, 55 IN.
48.	34811	HARNESS ASM, HEATER, HTW TANK
48A.	34981	HARNESS ASM, HEATER, HTW TANK TUV
49.	33978	WASHER, LOCK #10, INT. STAR, SQUARE



TANK ASSEMBLY, HOT WATER - PROBE

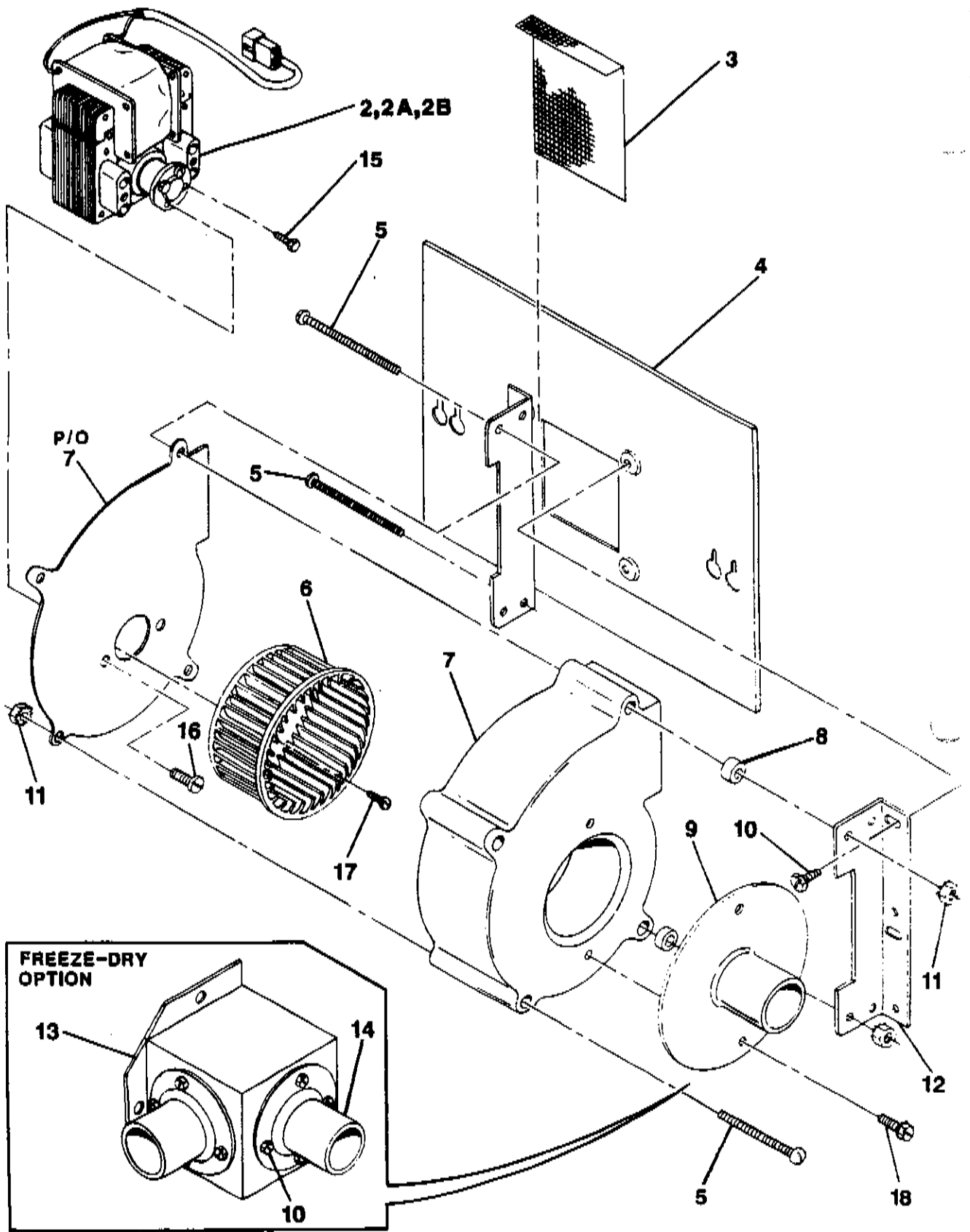
1.	34104	TANK ASSEMBLY, WELDED
2.	33758	JACKET ASM, HTW TANK, WELDED
3.	33275	COVER ASM, HTW TANK JACKET
4.	23999	SCREW, 8-32 X 3/4, HH, F, SD
5.	27934	LENS, RED
6.	33763	BRACKET, HTW TANK
7.	34205	RETAINER, VALVE, MULLER
8.	34206	BRACKET, VALVE, MULLER
9.	35276	PROBE ASM, LIQUID LEVEL CONTROL
10.	35281	HARNESS ASM, CABINET, TANK PROBE
11.	35283	HARNESS ASM, CABINET, TANK THERMOSTAT
12.	34811	HARNESS ASM, HEATER, HTW TANK
12A.	34981	HARNESS ASM, HEATER, HTW TANK, TUV
13.	24760-1	TUBE, OVERTEMP THERMOSTAT, 13 IN.
14.	12518	NUT, 1/4-20 KEP, SCP
15.	21916	WASHER, FLAT, 17/64 X 9/16, SCP
16.	32894	HEATER & GASKET, 220/240V, 1200W
17.	22262	GASKET (ONLY), HEATER (PART OF ITEM 16)
18.	24496	SCREW, 1/4-20 X 3/4, WELD, SS 2112ZP
19.	14488	CLAMP, EATON #18
20.	33552	TUBE, DRAIN, SILICONE, 3/4 ID X 1' OD, BROWN (BULK NO. PER INCH, 35 IN. PER UNIT)
21.	33553	PLUG, DRAIN HOSE
22.	08229	ADAPTER, BRASS, 1/4 MPT X 1/8 FPT
23.	14494-1	FAUCET & RINSE HOSE, 8 FT.
24.	17521	RING, RETAINING, E, 1 3/16, BCU
25.	34095	LID ASM, HTW TANK, WELDED
26.	380266	CONTROL, TEMPERATURE, HTW TANK
27.	33808	BRACKET, THERMOSTAT RETAINER
28.	24760-2	TUBE, OVERTEMP THERMOSTAT, 55 IN.
29.	101S10-4	SCREW, 10-32 X 1/4, RH, M, SS
30.	34810	HARNESS ASM, VALVES, HTW TANK
31.	34199	ROD, MULLER VALVE
32.	33859	BOOT
33.	22527	GASKET, HTW TANK (BULK NO. PER INCH)
34.	33800	FUNNEL, WATER-IN
35.	33789-1	TUBE, FILL
36.	17654	SCREW, 6-32 X 1, PH, F, TP
37.	26189	ELBOW, 1/4 TUBE, BRASS, UNION
38.	34438	THERMOSTAT, 150 DEG, SPST
39.	34161	JUMPER ASM, WHITE, OVERTEMP
40.	34160	JUMPER ASM, BLUE, OVERTEMP (INCLUDES FUSE HOLDER)
41.	34272-2	FUSE, 15 AMP, 1/4 X 1 1/4, ABC10
42.	34678	TUBE, OVERTEMP THERMOSTAT





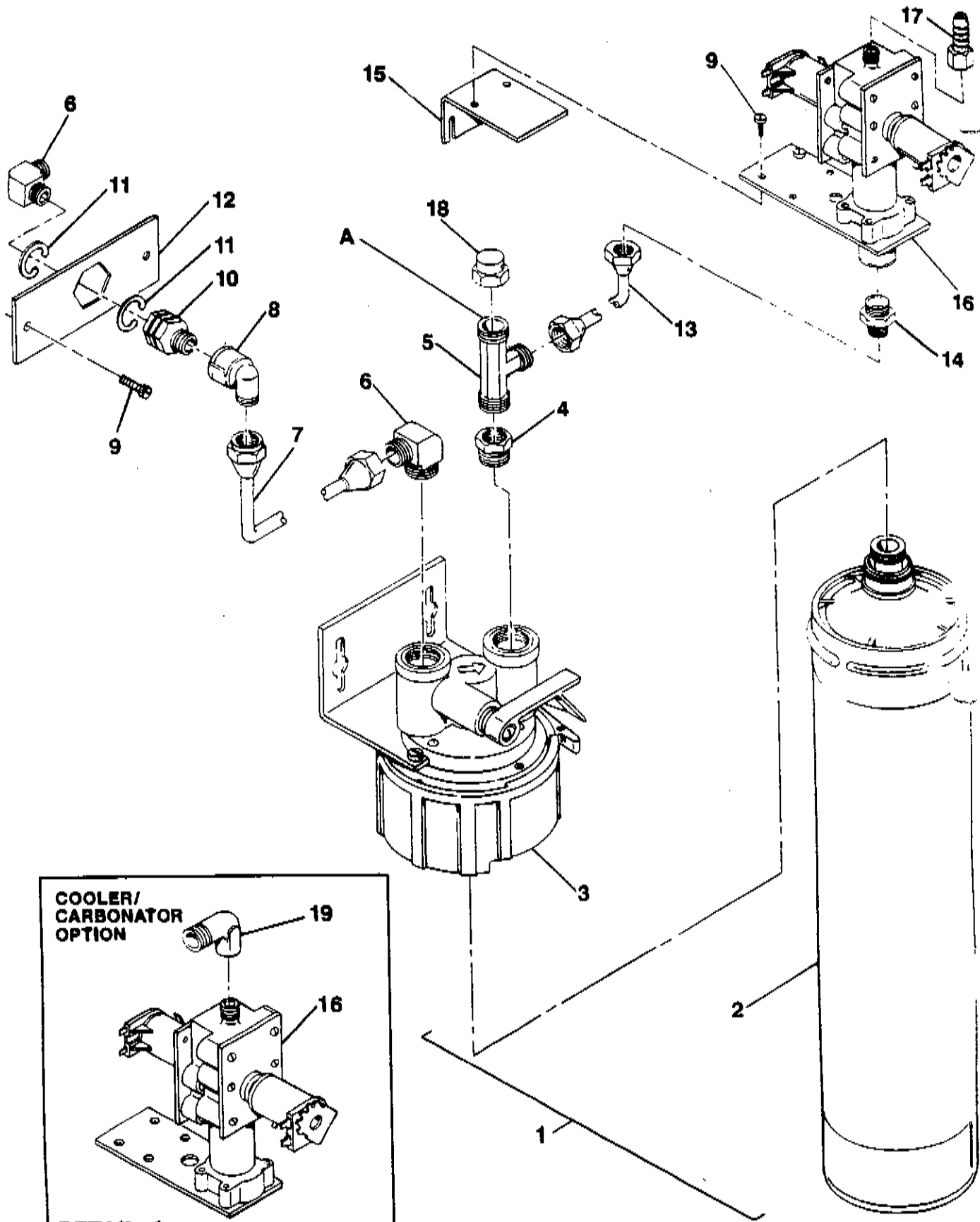
TANK VALVE AND RINSE HOSE ASSEMBLIES

1. 32972 VALVE, COMMODITY, MULLER, 110V, 60HZ.
2. 32943 PLUG, MULLER VALVE
3. 32944 NOZZLE, INLET WITH SEAL, MULLER VALVE
4. 27178 FAUCET (ONLY), RINSE HOSE
5. 14494 FAUCET AND RINSE HOSE ASSEMBLY - 4FT
5. 14494-1 FAUCET AND RINSE HOSE ASSEMBLY - 8FT
6. 23588 BRACKET, WATER SPOUT
7. 11749 NUT, 8-32 KEP, EXT LOCK WA, SCP
8. 14806 SCREW, 8-32 X 3/8, HH, SCP, F, SD WA
9. 14491 SCREW, 8-32 X 3/8, PH
10. 23903 SPOUT ASM, WATER
11. 33389 TUBE, SILICONE, 5/8 ID X 3/4 OD, BROWN  
(BULK NO. SOLD PER INCH, 3.5 IN. PER UNIT)
12. 32971 VALVE, BREWER, MULLER, 110V, 60HZ.
13. 33129 ADAPTER, COMMODITY VALVE
14. 33085 VALVE ASM, ADAPTED FD COFFEE (INCLUDES ITEMS 1,2,3 & 13)
15. 19033 TUBE, SILICONE, 5/16 ID X 1/2 OD X 3/32 WALL, BROWN (BULK NO. SOLD PER INCH)
16. 33430 BRACKET ASM. VALVE, MULLER
17. 33825 HARNESS ASM, FD WATER



MOTOR ASSEMBLY - EXHAUST BLOWER

- 1. 33598 MOTOR ASM BLOWER, COMPLETE, LG MODELS  
(INCLUDES ITEMS 1A, 3, 4, 10)
- 1A. 33597 MOTOR ASM BLOWER LESS PLATE, SCREEN & SCREWS, LG  
(INCLUDES ITEMS 2, 5, 8-12)
- 1B. 33893 MOTOR ASM BLOWER, COMPLETE, FD MODELS  
(INCLUDES ITEMS 1C, 3, 4, 10)
- 1C. 33892 MOTOR ASM BLOWER LESS PLATE, SCREEN & SCREWS, FD  
(INCLUDES ITEMS 2, 5, 8, 10-14)
- 2. 33596 MOTOR ASM BLOWER LESS INLET
- 2A. 34954 MOTOR ASM BLOWER LESS INLET - MOLEX 3 PIN
- 2B. 34979 MOTOR ASM BLOWER LESS INLET - TUV
- 3. 20942 SCREEN, BLOWER MOTOR
- 4. 21892 PLATE, BLOWER MOTOR
- 5. 22772 SCREW, 8-32 X 2 1/2, RH, PL
- 6. 29831 WHEEL, BLOWER MOTOR
- 7. 29832 HOUSING, BLOWER MOTOR
- 8. 19152 WASHER, NYLON
- 9. 18922 DUCT, "SQUIRREL CAGE", BLOWER MOTOR INLET (LG MODELS)
- 10. 14806 SCREW, 8-32 X 3/8, HH SCP F SD WA
- 11. 11749 NUT, 8-32 KEP, EXT LK WA, SCP
- 12. 24048 BRACKET, BLOWER MOTOR SIDE
- 13. 33337 BOX ASM, PLENUM EXHAUST (FD MODELS)
- 14. 32633 ADAPTER, VACUUM HOSE (FD MODELS)
- 15. SCREW (PART OF ITEM 2 - NOT SOLD SEPARATELY)
- 16. SCREW (PART OF ITEM 2 - NOT SOLD SEPARATELY)
- 17. SCREW (PART OF ITEM 2 - NOT SOLD SEPARATELY)
- 18. 21900 SCREW, 8-32 X 3/8, PH, PST, SCP



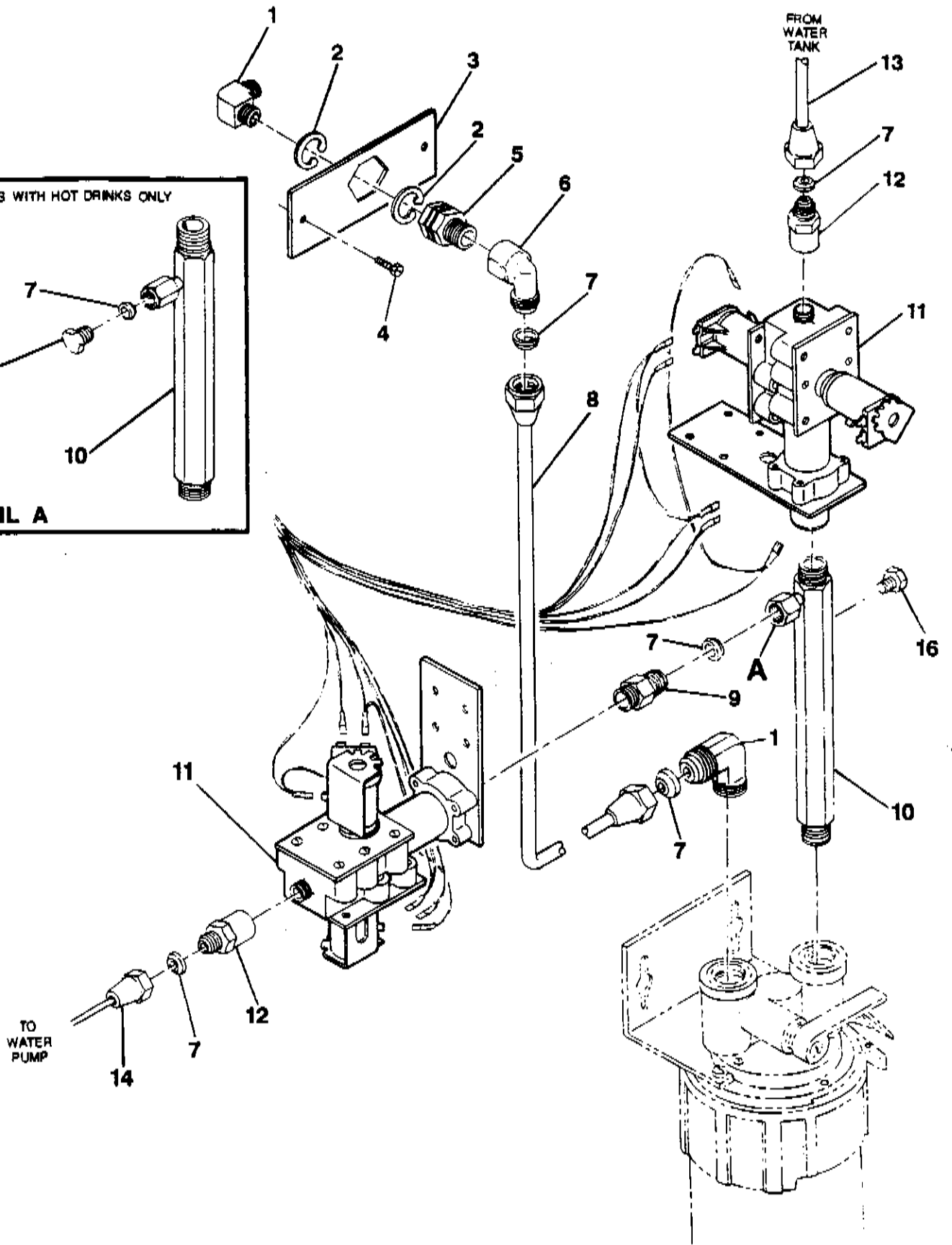
### WATER INLET AND FILTER ASSEMBLIES

1. 33348 FILTER ASM EVERPURE (INCLUDES ITEMS 2-6)
2. 16991 CARTRIDGE, EVERPURE FILTER
3. 23281 FILTER HEAD & RING ASM. WITH BRACKET
4. 24256 BUSHING, 3/8 MPT X 1/4 FPT
5. 13246 TEE, 1/4, BRASS
6. 06225 ELBOW, 3/8 MPT X 3/8 MFL
7. 18790 TUBE ASM, WATER INLET TO FILTER
8. 17357 ELBOW, 3/8 MFL X 3/8 NPT, BRASS
9. 14806 SCREW, 8-32 X 3/8, HH, SCP, F SD WA
10. 25886 ADAPTER, WATER INLET
11. 25888 RING, RETAINING, 15/16, WATER INLET
12. 26444 RETAINER, FITTING, WATER INLET
13. 33341 TUBE ASM, WATER INLET, HOT
14. 31326 CONNECTOR, 3/8 MPT X 1/4 MFL
15. 33340 BRACKET ASM, WATER VALVE
16. 22242 VALVE, WATER INLET, N-42
17. 30516 FITTING, HOSE BARB-FEMALE PIPE
18. 33342 CAP, END 1/4 PIPE (FOR UNITS WITH HOT DRINKS ONLY)
19. 06421 ELBOW, 1/4 MFL X 1/4 FPT, BRASS

NOTE: DETAIL A FOR UNITS WITH HOT AND COLD DRINKS ONLY

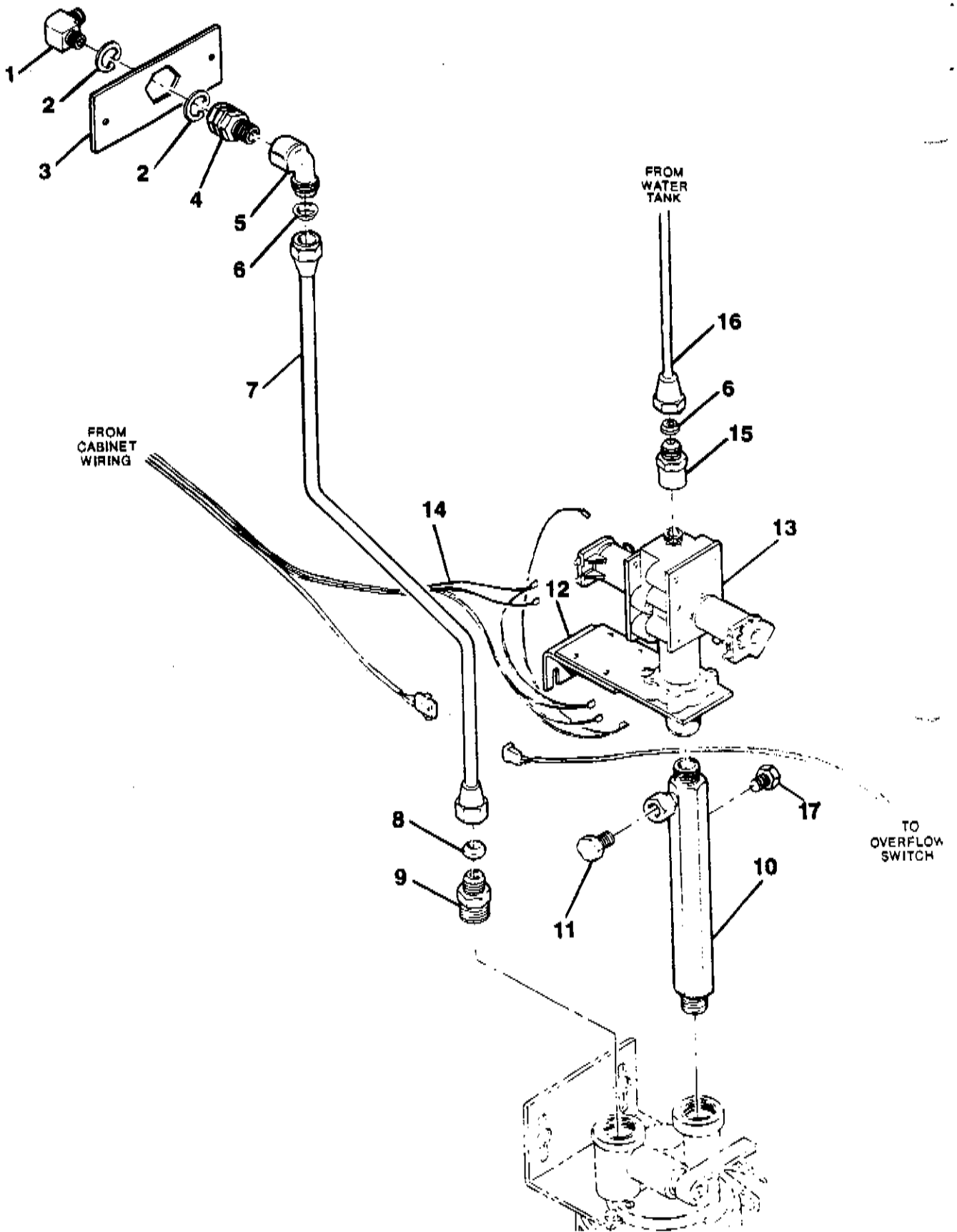
FOR UNITS WITH HOT DRINKS ONLY

**DETAIL A**



### WATER INLET ASSEMBLIES

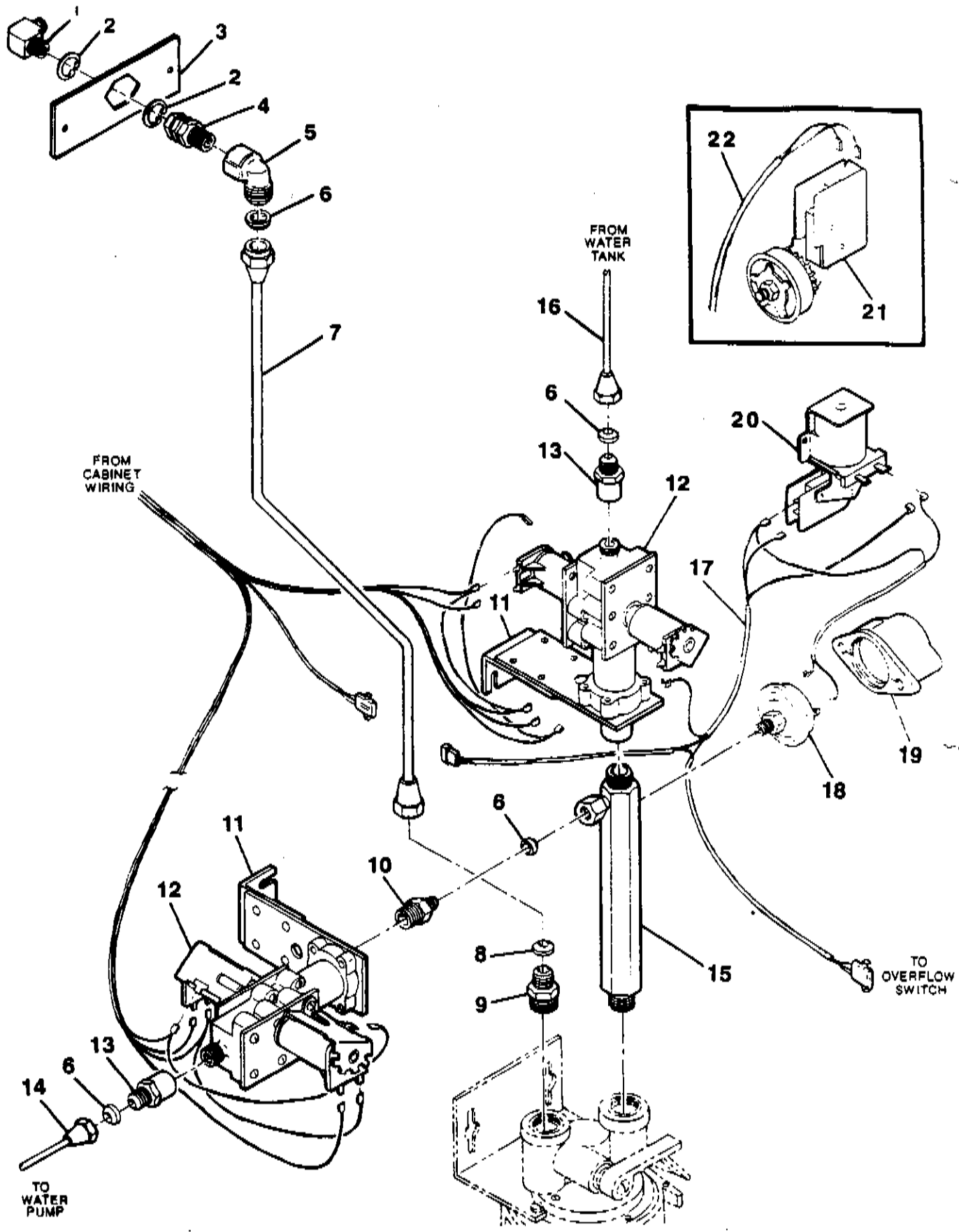
1. 06225 ELBOW, 3/8 MPT X 3/8 MFL
2. 17521-5 RING, RETAINING, 'E', 15/16
3. 26444 RETAINER, FITTING, WATER INLET
4. 14806 SCREW, 8-32 X 3/8, HH, SCP, F SD WA
5. 25886 ADAPTER, WATER INLET
6. 17357 ELBOW, 3/8 MFL X 3/8 NPT, BRASS
7. 34045 WASHER, 1/4 FLARE, NYLON
8. 18790 TUBE ASM, WATER INLET TO FILTER
9. 31326 CONNECTOR, 3/8 MPT X 1/4 MFL
10. 34504 TEE, 3/8 NPT X 1/4 SWIVEL FLARE, BRASS
11. 22242 VALVE, WATER INLET, N-42
12. 26979 ADAPTOR, BRASS, 1/4 FPT X 1/4 MFL
13. 34556 TUBE ASM, HTW TANK INLET
14. 34558 TUBE ASM, INLET, WATER PUMP
15. 34520 PLUG, 1/4 FLARE SEAL, BRASS (FOR UNITS WITH HOT DRINKS ONLY)
16. 24761 PLUG, 1/8 MPT





WATER INLET ASSEMBLY WITH EVERPURE FILTER  
UNITS WITH HOT DRINKS ONLY - NO PRESSURE SWITCH

- |     |         |  |
|-----|---------|--|
| 1.  | 06225   | ELBOW, 3/8 MPT X 3/8 MFL               |
| 2.  | 17521-5 | RING, RETAINING, 'E', 15/16            |
| 3.  | 26444   | RETAINER, FITTING, WATER INLET         |
| 4.  | 25886   | ADAPTER, WATER INLET                   |
| 5.  | 17357   | ELBOW, 3/8 MFL X 3/8 NPT, BRASS        |
| 6.  | 34045   | WASHER, 1/4 FLARE, NYLON               |
| 7.  | 34589   | TUBE ASM, WATER INLET TO FILTER        |
| 8.  | 34020   | WASHER, 3/8 FLARE, NYLON               |
| 9.  | 14923   | ADAPTOR, 3/8 MPT X 3/8 MFL, BRASS      |
| 10. | 34504   | TEE, 3/8 NPT X 1/4 SWIVEL FLARE, BRASS |
| 11. | 34520   | PLUG, 1/4 FLARE SEAL, BRASS            |
| 12. | 33340   | BRACKET ASM, WATER VALVE               |
| 13. | 360146  | VALVE, WATER INLET, N-42               |
| 14. | 34746   | HARNESS ASM, CABINET, MAIN             |
| 15. | 26979   | ADAPTOR, BRASS, 1/4 FPT X 1/4 MFL      |
| 16. | 34556   | TUBE ASM, HTW TANK INLET               |
| 17. | 24761   | PLUG, 1/8 MPT                          |

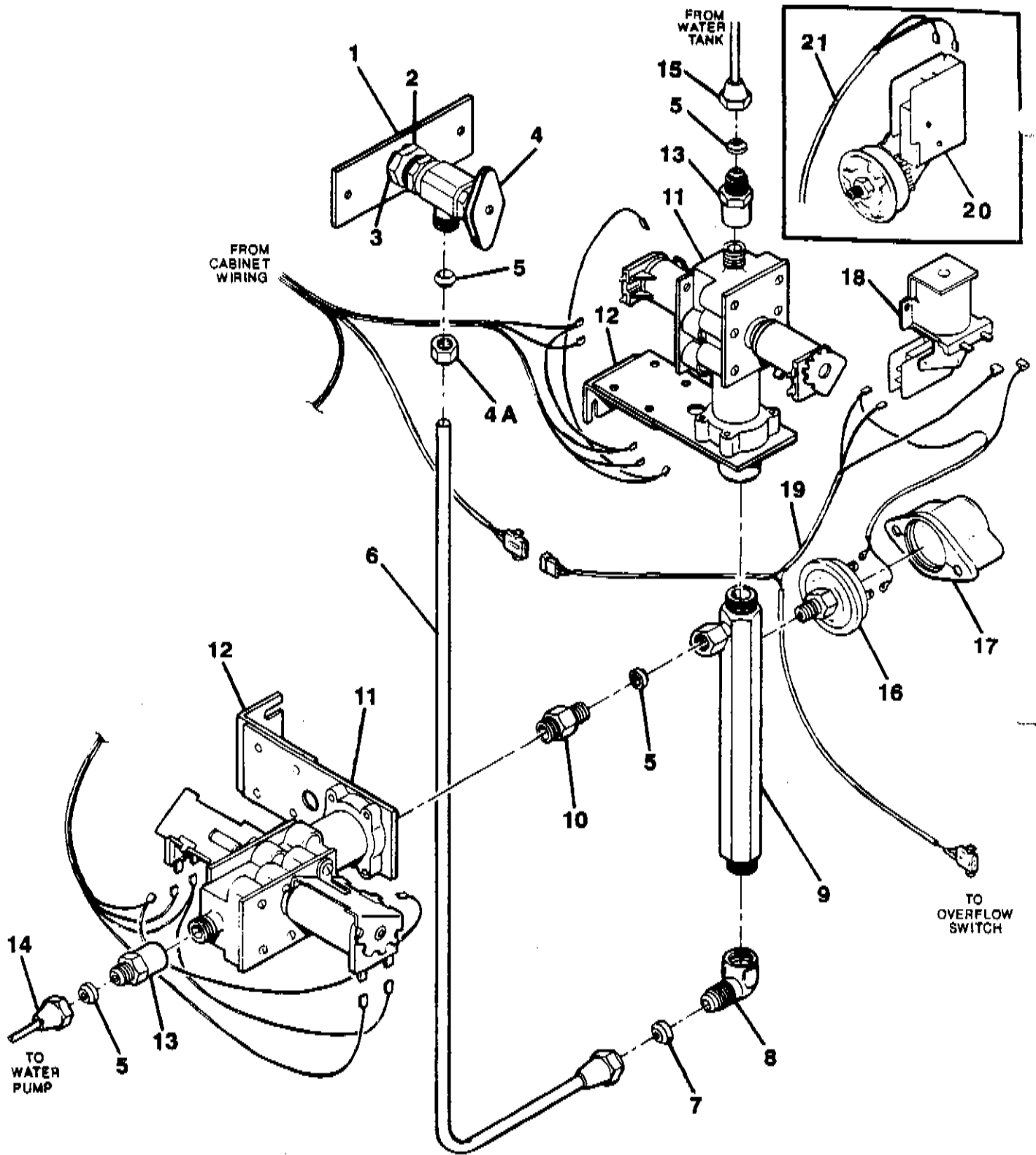


10.01C

WATER INLET ASSEMBLY WITH EVERPURE FILTER  
UNITS WITH HOT & COLD DRINKS - INCLUDES PRESSURE SWITCH

- |     |         |  |
|-----|---------|--|
| 1.  | 06225   | ELBOW, 3/8 MPT X 3/8 MFL                   |
| 2.  | 17521-5 | RING, RETAINING, 'E'. 15/16                |
| 3.  | 26444   | RETAINER, FITTING, WATER INLET             |
| 4.  | 25886   | ADAPTER, WATER INLET                       |
| 5.  | 17357   | ELBOW, 3/8 MFL X 3/8 NPT, BRASS            |
| 6.  | 34045   | WASHER, 1/4 FLARE, NYLON                   |
| 7.  | 34589   | TUBE ASM, WATER INLET TO FILTER            |
| 8.  | 34020   | WASHER, 3/8 FLARE, NYLON                   |
| 9.  | 14923   | ADAPTOR, 3/8 MPT X 3/8 MFL, BRASS          |
| 10. | 31326   | CONNECTOR, 3/8 MPT X 1/4 MFL, BRASS        |
| 11. | 33340   | BRACKET ASM, WATER VALVE                   |
| 12. | 360146  | VALVE, WATER INLET, N-42                   |
| 13. | 26979   | ADAPTOR, BRASS, 1/4 FPT X 1/4 MFL          |
| 14. | 34558   | TUBE ASM, WATER PUMP                       |
| 15. | 34504   | TEE, 3/8 NPT X 1/4 SWIVEL FLARE, BRASS     |
| 16. | 34556   | TUBE ASM, HTW TANK INLET                   |
| 17. | 34790   | HARNESS ASM, PRESSURE SWITCH W/POWER RELAY |
| 18. | 30956-1 | SWITCH, PRESSURE, 12 PSI                   |
| 19. | 34740   | BOOT, SWITCH, RUBBER                       |
| 20. | 27034   | RELAY, POWER                               |
| 21. | 34756   | SWITCH, PRESSURE                           |
| 22. | 34862   | HARNESS ASM, PRESSURE SWITCH               |

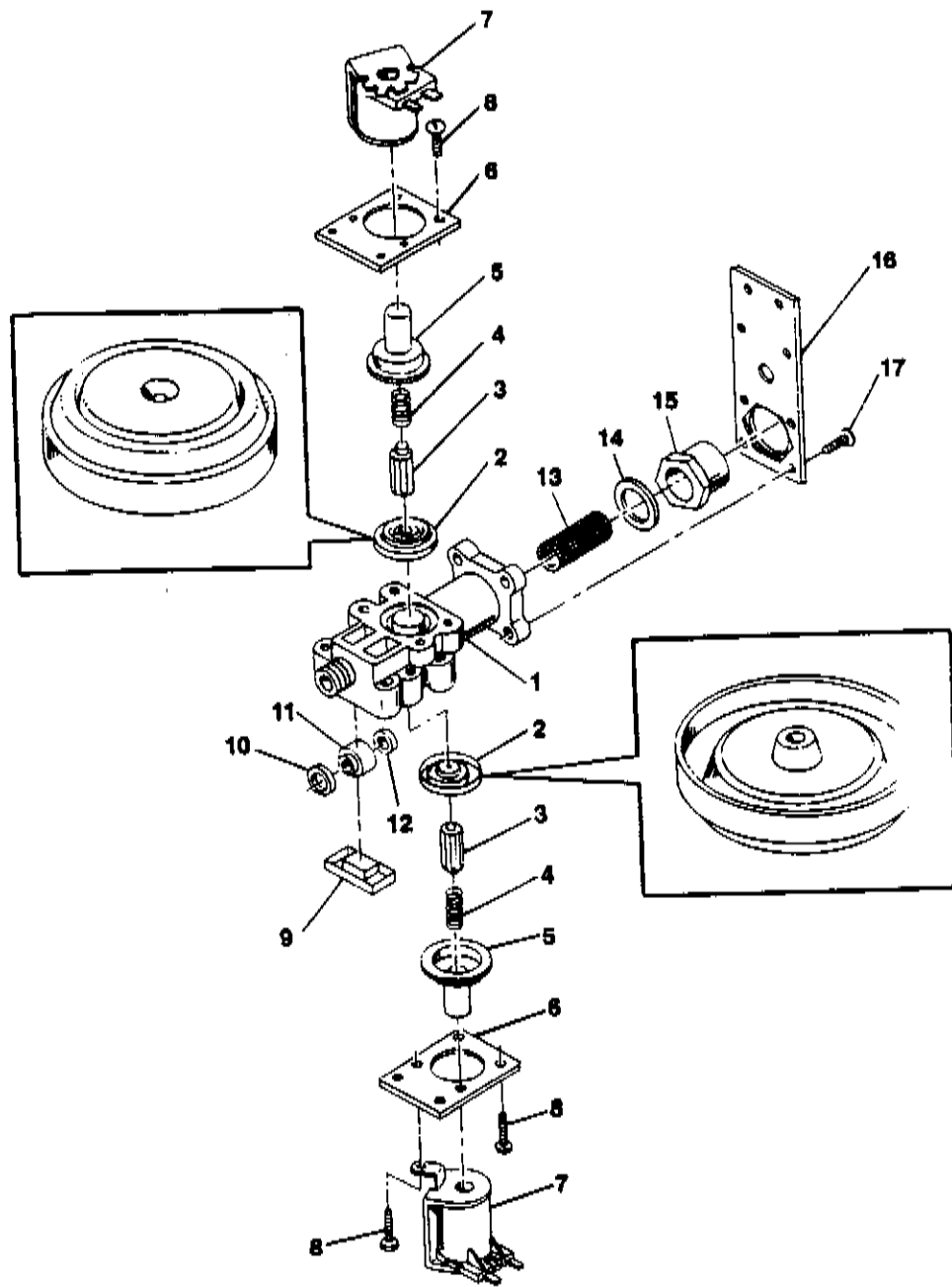
NOTE: ITEMS 21 & 22 REPLACED ITEMS 17 - 20 ON LATER UNITS:  
ORDER THE PARTS WHICH BEST RESEMBLE YOUR 402 UNIT.



WATER INLET ASSEMBLY WITH SHUT-OFF VALVE (NO FILTER)  
UNITS WITH HOT AND COLD DRINKS - INCLUDES PRESSURE SWITCH

1. 26444 RETAINER, FITTING, WATER INLET
2. 25886 ADAPTER, WATER INLET
3. 17521-5 RING, RETAINING, 'E', 15/16
4. 14924 VALVE, SHUT OFF
- 4A. NUT (PART OF ITEM 4 - NOT SOLD SEPARATELY)
5. 34045 WASHER, 1/4 FLARE, NYLON
6. 34624 TUBE ASM, WATER INLET
7. 34020 WASHER, 3/8 FLARE, NYLON
8. 17357 ELBOW, 3/8 MFL X 3/8 NPT, BRASS
9. 34504 TEE, 3/8 NPT X 1/4 SWIVEL FLARE, BRASS
10. 31326 CONNECTOR, 3/8 MPT X 1/4 MFL, BRASS
11. 360146 VALVE, WATER INLET, N-42
12. 33340 BRACKET ASM, WATER VALVE
13. 26979 ADAPTOR, BRASS, 1/4 FPT X 1/4 MFL
14. 34558 TUBE ASM, WATER PUMP
15. 34556 TUBE ASM, HTW TANK INLET
16. 30956-1 SWITCH, PRESSURE, 12 PSI
17. 34740 BOOT, SWITCH, RUBBER
18. 27034 RELAY, POWER
19. 34790 HARNESS ASM, PRESSURE SWITCH W/POWER RELAY
20. 34756 SWITCH, PRESSURE
21. 34862 HARNESS ASM, PRESSURE SWITCH

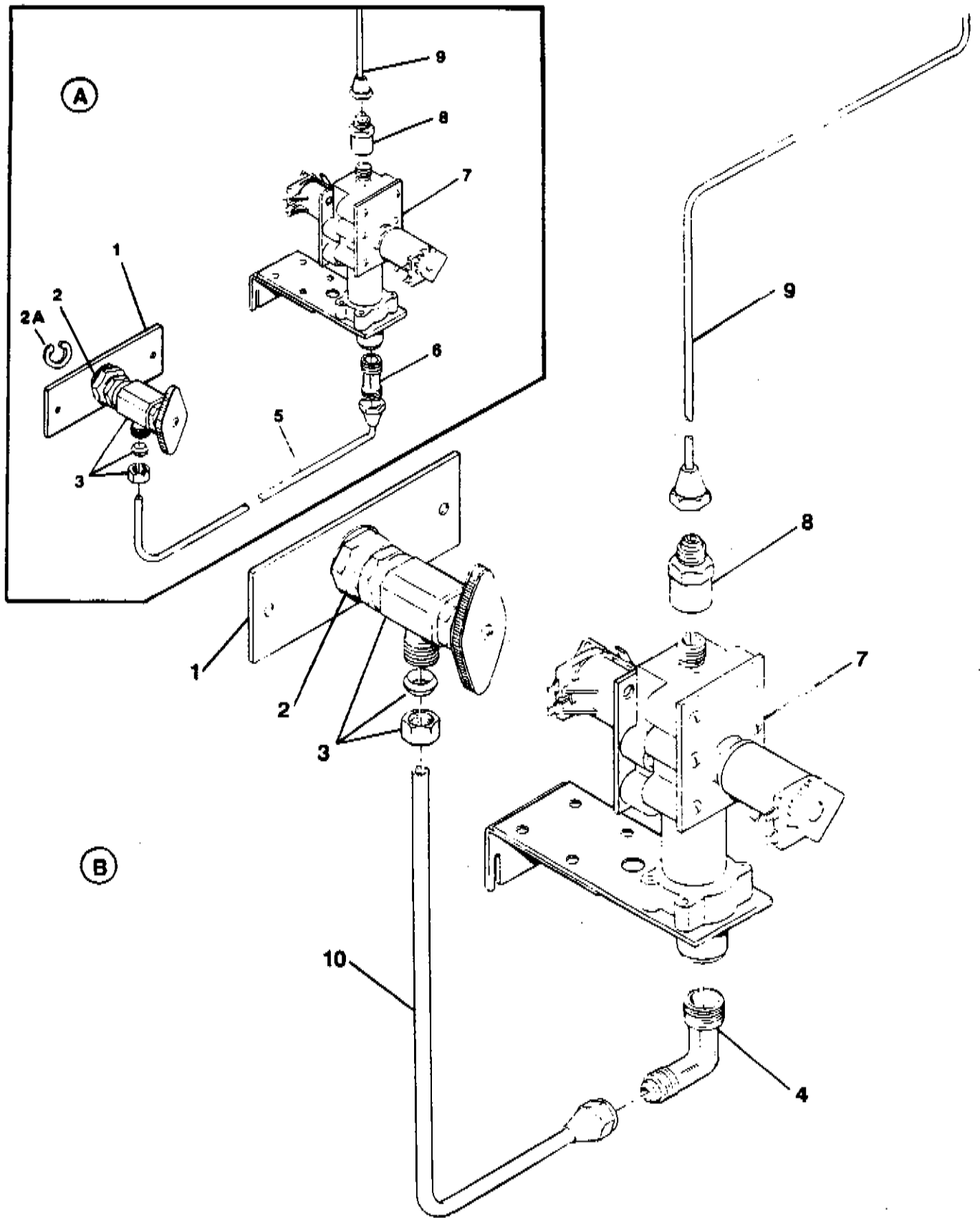
NOTE: ITEMS 20 & 21 REPLACED ITEMS 16 - 19 ON LATER UNITS:  
ORDER THE PARTS WHICH BEST RESEMBLE YOUR 402 UNIT.



10.02

VALVE ASSEMBLY, WATER INLET

- |     |       |  |
|-----|-------|--|
| 1.  | 16449 | BODY, VALVE  |
| 2.  | 22247 | DIAPHRAGM, LIFT  |
| 3.  | 16451 | ARMATURE   |
| 4.  | 16452 | SPRING   |
| 5.  | 16453 | GUIDE  |
| 6.  | 16471 | PLATE, HOLD-DOWN   |
| 7.  | 16472 | COIL, WHITE  |
| 8.  | 16493 | SCREW  |
| 9.  | 16474 | PLUG, SEAL   |
| 10. | 22771 | GASKET   |
| 11. | 19817 | INSERT, FLOW WASHER SEAT                                   |
| 12. | 34108 | WASHER, FLOW, AL-8004, IDENTIFICATION MARK 'CM', 75 GPM    |
| 13. | 16476 | SCREEN, INLET VALVE  |
| 14. | 16477 | GASKET   |
| 15. | 16478 | FITTING, INLET   |
| 16. | 16479 | PLATE, MOUNTING  |
| 17. | 16489 | SCREW, MOUNTING PLATE                                      |
| 18. | 22242 | VALVE ASM, WATER INLET N42, COMPLETE (INCLUDES ITEMS 1-17) |

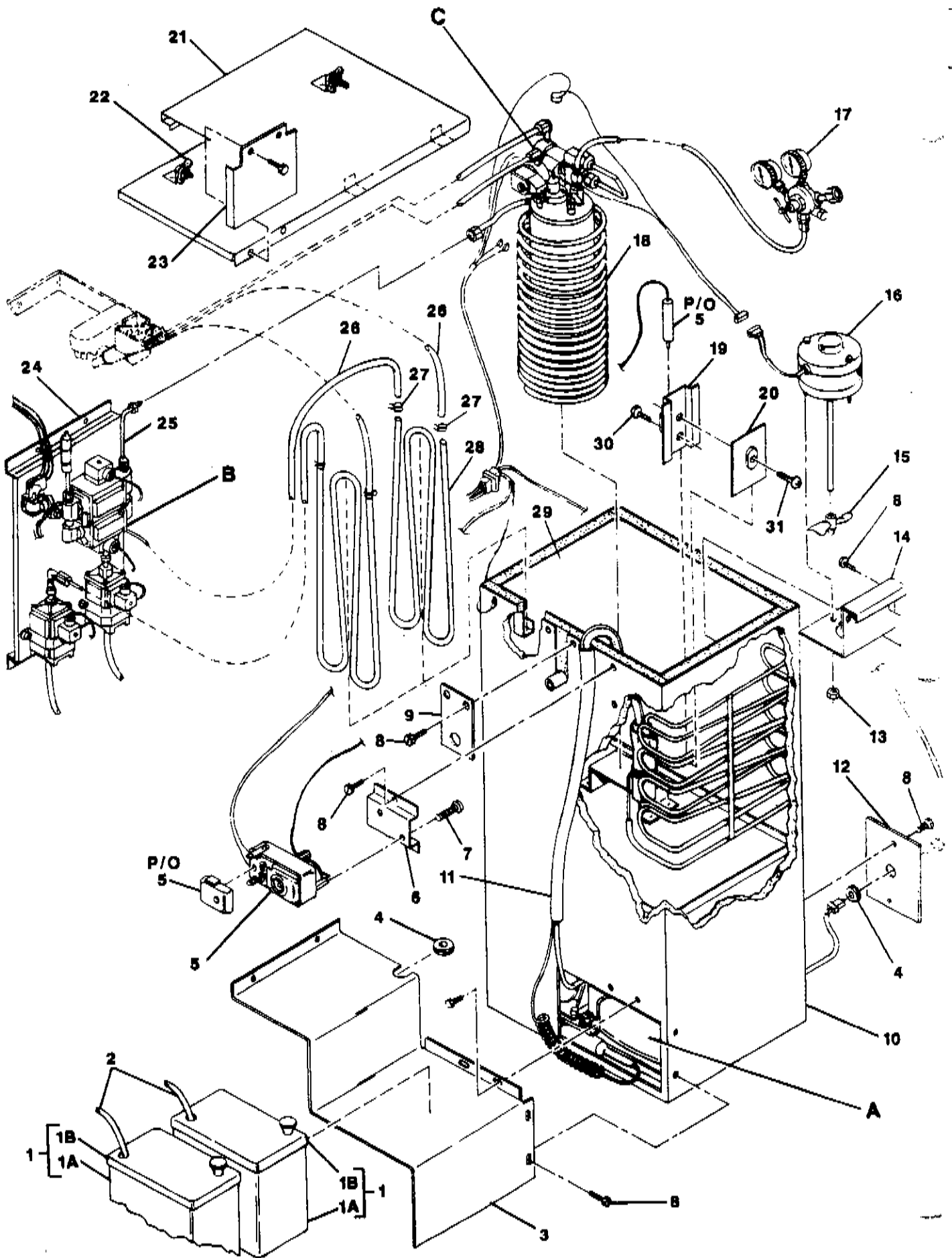




WATER INLET SHUT-OFF/FILTER BY-PASS KITS

- |     |         |                                      |
|-----|---------|--------------------------------------|
| 1.  | 26444   | RETAINER, FITTING, WATER INLET       |
| 2.  | 25888   | ADAPTER, WATER INLET                 |
| 2A. | 17521-5 | RING, RETAINER, 'E', 15/16, WATER IN |
| 3.  | 14924   | VALVE, SHUT-OFF/TANK DRAIN           |
| 4.  | 06225   | ELBOW 3/8 MPT X 3/8 MFL              |
| 5.  | 34643   | TUBE ASM, WATER INLET, SHUT-OFF      |
| 6.  | 14923   | ADAPTER, BRASS, 3/8 MPT X 3/8 MFL    |
| 7.  | 360146  | VALVE, WATER INLET                   |
| 8.  | 26979   | ADAPTER, BRASS, 1/4 FPT X 1/4 MFL    |
| 9.  | 34556   | TUBE ASM, HTW INLET                  |
| 10. | 34642   | TUBE ASM, WATER INLET, SHUT-OFF      |

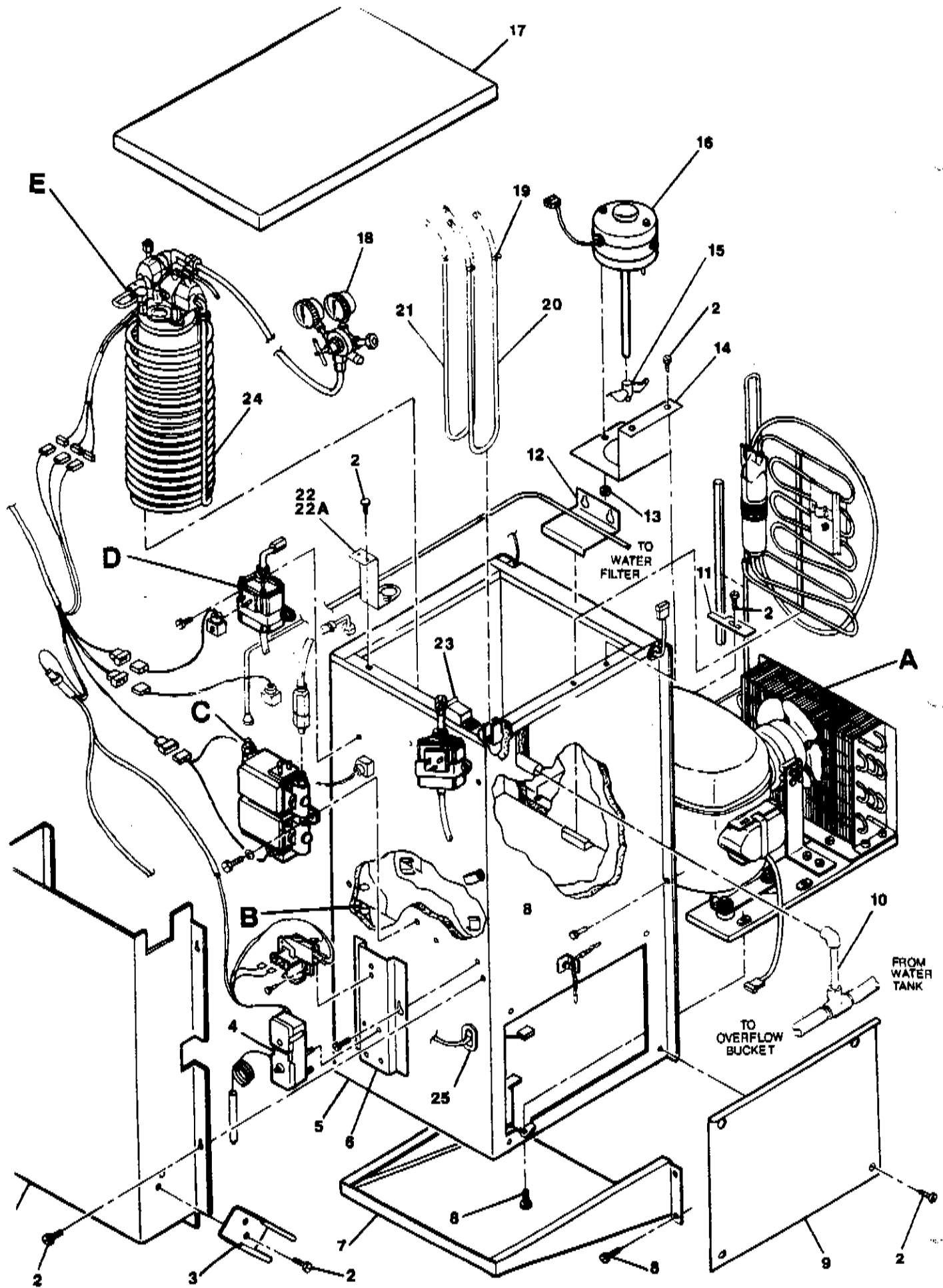
NOTE: DETAIL A WAS REPLACED BY 'B' ON LATER UNITS.  
ORDER THE PARTS WHICH BEST RESEMBLE YOUR 402 UNIT.



COOLER AND CARBONATOR ASSEMBLIES (COLD DRINK UNITS)

1.	33332	TANK ASM, SYRUP (INCLUDES ITEMS 1A & 1B)
1A.	33333	TANK (ONLY), SYRUP
1B.	33824	COVER, SYRUP TANK, WITH KNOB AND SCREW
2.	33853	TUBE, SYRUP DIP
3.	33334	BAFFLE ASM, AIR FLOW (INCLUDES ITEM 4)
4.	02083	GROMMET, 3/8 X 5/8
5.	33947	CONTROL, ICE BANK (INCLUDES CAP)
6.	33259	BRACKET, ICE BANK CONTROL
7.	16492	SCREW, 6-32 X 3/8, PH, M, AB, SS
8.	14806	SCREW, 8-32 X 3/8, HH, SCP, F, SD WA
9.	33398	COVER, OVERFLOW TUBE
10.	33310	HOUSING ASM, OUTER WATER BATH
11.	33521	HARNES ASM, WATER COOLER
12.	33397	COVER, ELECTRICAL ACCESS
13.	23788	NUT, 8-32 HH, SS
14.	32991	BRACKET, AGITATOR MOTOR
15.	33948	IMPELLOR, PLASTIC
16.	33826	MOTOR ASM, AGITATOR, WITH TERMINALS AND HOUSING
17.	33458	REGULATOR & GAUGE
18.		CARBONATOR AND RELATED ITEMS (SEE MANUAL PAGE 11.04)
19.	33993	MOUNT, ICE PROBE
20.	33949	PLATE, BACK
21.	33854	COVER ASM, WATER BATH, WELDED
22.	06888	NUT, 8-32 WING, ZINC WASHER BASE
23.	33481	COVER, SYRUP PUMP AND WATER PUMP MODULE
24.	32986	CHANNEL ASM, PUMP MOUNTING
25.	33303	PUMP ASM, WATER
26.	34001	TUBE, PVC, 1/4 ID X 3/8 OD, BEVERAGE (BULK NO. SOLD PER INCH; 80 IN. PER UNIT)
27.	33994	CLAMP, WIRE HOSE, 7/16, SS
28.	33967	COIL, SYRUP COOLING
29.	33311	HOUSING ASM, INNER WATER BATH
30.	100S10-20	SCREW, 10-32 X 1 1/4, RH, M, SS
31.	111S10R6	SCREW, 10-32 X 3/8, TH, M, SS

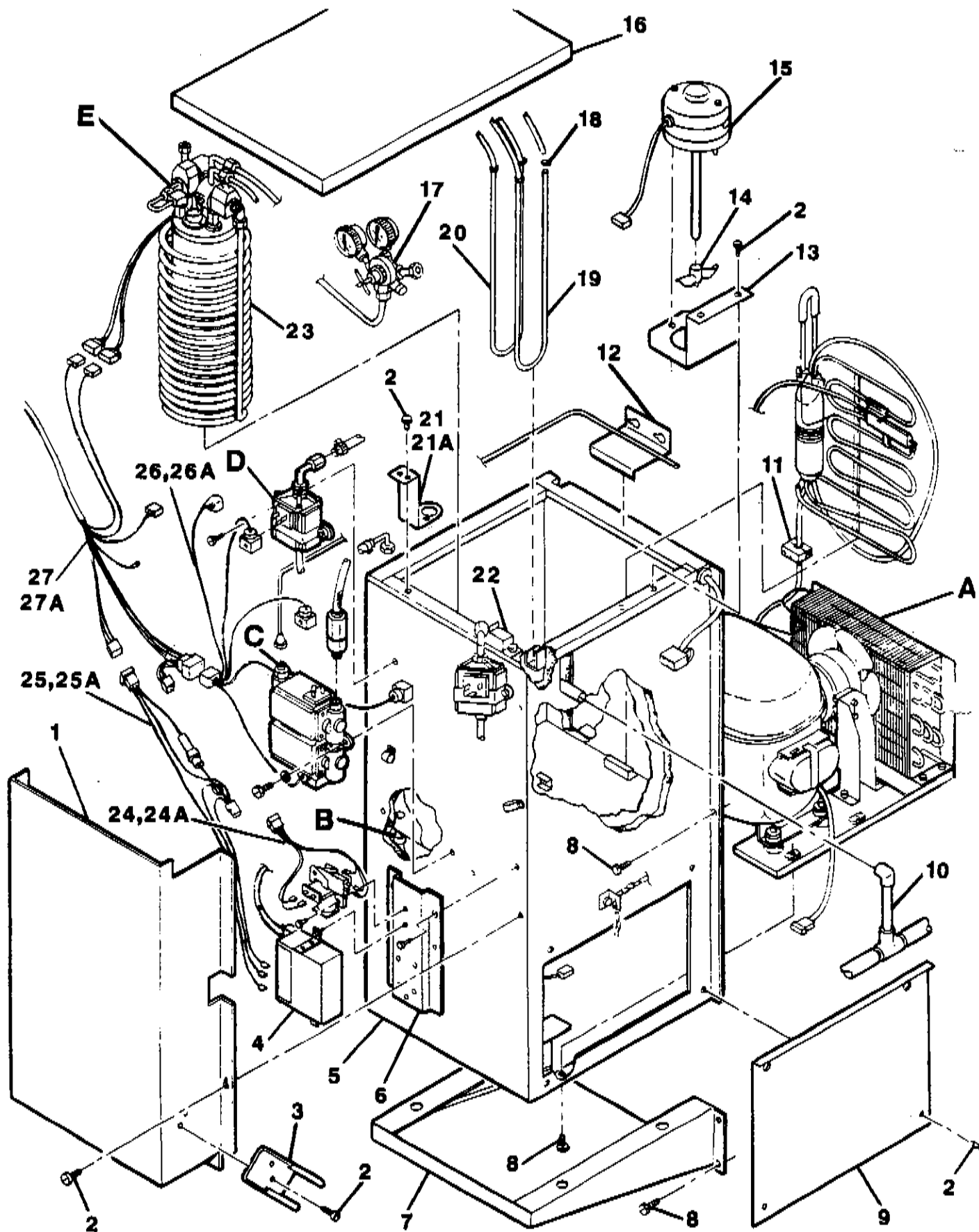
NOTE:           DETAIL A: SEE MANUAL PAGE 11.02  
                  DETAIL B: SEE MANUAL PAGE 11.03  
                  DETAIL C: SEE MANUAL PAGE 11.04



COOLER AND CARBONATOR ASSEMBLIES (COLD DRINK UNITS)

1.	34434	COVER, PUMPS, FRONT, COOLER
2.	14808	SCREW, 8-32 X 3/8, HH, SCP, F, SD WA
3.	34432	BRACKET, DRAIN TUBE, COOLER
4.	33947	CONTROL, ICE BANK (INCLUDES CAP)
5.	34599	COOLER ASM
6.	34440	BRACKET, ICE CONTROL
7.	34497	SHELF ASM, DUCT, COOLER
8.	10228	SCREW, 1/4-20 X 1/2, HH
9.	34446	COVER, COMPRESSOR, COOLER
10.	34590	TUBE ASM, DRAIN OVERFLOW
11.	34445	TAB, AIR CUT-OFF, COOLER
12.	34435	BRACKET, HOLD-DOWN, COOLER
13.	23788	NUT, 8-32 HH, SS
14.	34455	BRACKET, GUIDE, COOLER
15.	33948	IMPELLER, PLASTIC
16.	34609	MOTOR ASM, AGITATOR
17.	34429	COVER, TOP, COOLER
18.	33458	REGULATOR & GAUGE
19.	33994	CLAMP, WIRE HOSE, 7/16, SS
20.	34610	COIL ASM, SYRUP, NO. 1
21.	34611	COIL ASM, SYRUP, NO. 2
22.		BRACKET, CARBONATOR, LHD (SEE CARBONATOR, PAGE 11.04A)
22A.		BRACKET, CARBONATOR, RHD (SEE CARBONATOR, PAGE 11.04A)
23.	34456	CLAMP, HOSE, COOLER
24.		CARBONATOR AND RELATED ITEMS (SEE MANUAL PAGE 11.04)
25.	26498	GROMMET, 3/4 X 1 1/16

NOTE:           DETAIL A: SEE MANUAL PAGE 11.02A  
                  DETAIL B: SEE MANUAL PAGE 11.03A  
                  DETAIL C: SEE MANUAL PAGE 11.03A  
                  DETAIL D: SEE MANUAL PAGE 11.03B

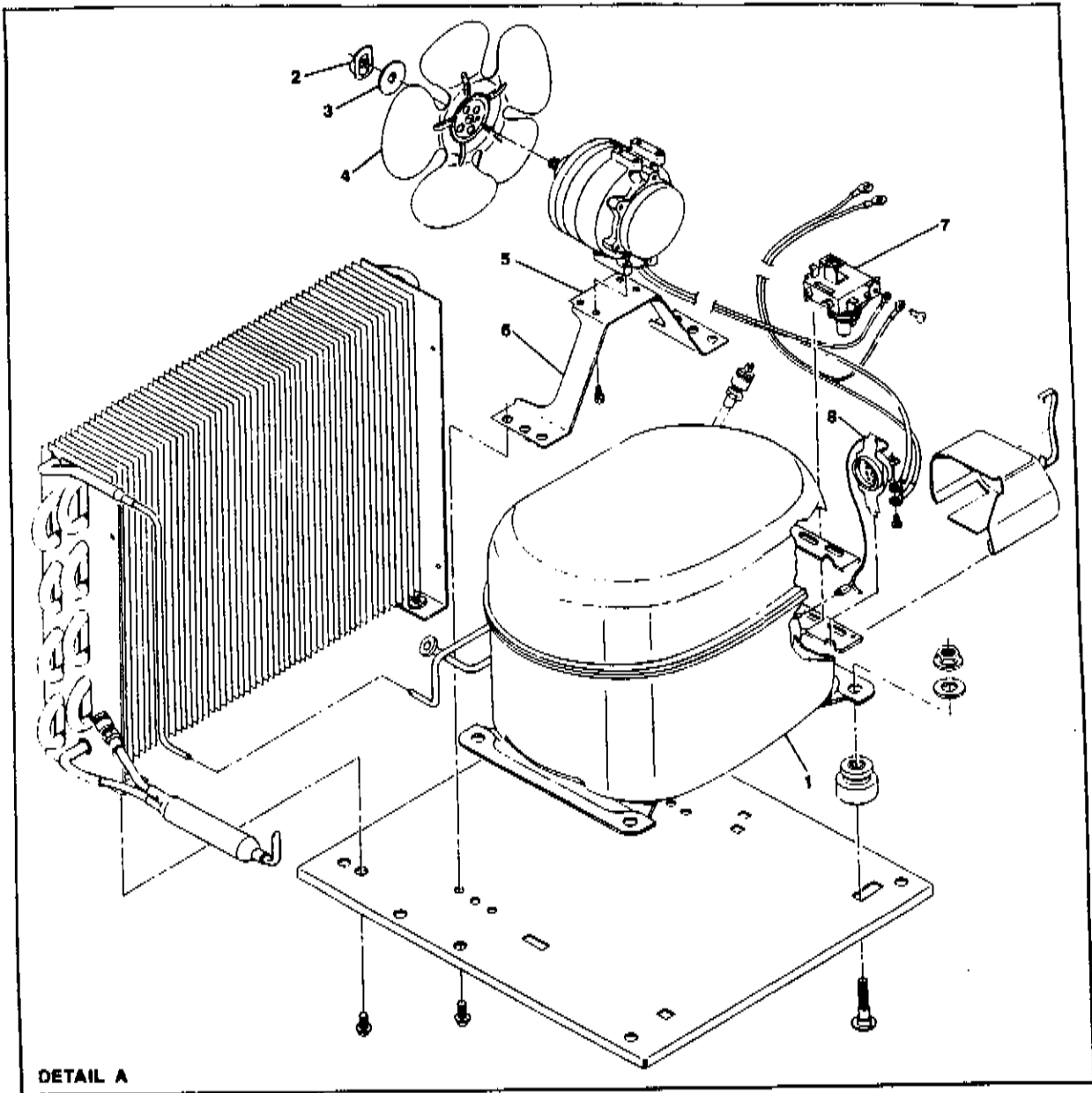


11.01B

COOLER AND CARBONATOR ASSEMBLIES (COLD DRINK UNITS)

1.	34434	COVER, PUMPS, FRONT, COOLER
2.	14806	SCREW, 8-32 X 3/8, HH, SCP, F, SD WA
3.	34432	BRACKET, DRAIN TUBE, COOLER
4.	34699	CONTROL, ICE BANK
5.	34599	COOLER ASM
6.	34440	BRACKET, ICE CONTROL
7.	34497	SHELF ASM, DUCT, COOLER
8.	10228	SCREW, 1/4-20 X 1/2, HH
9.	34446	COVER, COMPRESSOR, COOLER
10.	34590	TUBE ASM, DRAIN OVERFLOW
11.	34591	GROMMET, AIR CUT-OFF, COOLER
12.	34435	BRACKET, HOLD-DOWN, COOLER
13.	34455	BRACKET, GUIDE, COOLER
14.	33948	IMPELLER, PLASTIC
15.	34609	MOTOR ASM, AGITATOR
16.	34429	COVER, TOP, COOLER
17.	33458	REGULATOR & GAUGE
18.	33994	CLAMP, WIRE HOSE, 7/16, SS
19.	34610	COIL ASM, SYRUP, NO. 1
20.	34611	COIL ASM, SYRUP, NO. 2
21.		BRACKET, CARBONATOR, LHD (SEE CARBONATOR, PAGE 11.04A)
21A.		BRACKET, CARBONATOR, RHD (SEE CARBONATOR, PAGE 11.04A)
22.	34456	CLAMP, HOSE, COOLER
23.		CARBONATOR AND RELATED ITEMS (SEE MANUAL PAGE 11.04)
24.	34615	HARNESS ASM, POWER RELAY
24A.	34968	HARNESS ASM, POWER RELAY - TUV
25.	34794	HARNESS ASM, ELECT ICE CONTROL
25A.	34976	HARNESS ASM, ELECT ICE CONTROL -TUV
26.	34617	HARNESS ASM, PUMP PLUGS & CORD
26A.	34969	HARNESS ASM, PUMP PLUGS & CORD -TUV
27.	34618	HARNESS ASM, COOLER
27A.	34970	HARNESS ASM, COOLER - TUV

NOTE:           DETAIL A: SEE MANUAL PAGE 11.02B  
                  DETAIL B: SEE MANUAL PAGE 11.03A  
                  DETAIL C: SEE MANUAL PAGE 11.03A  
                  DETAIL D: SEE MANUAL PAGE 11.03B



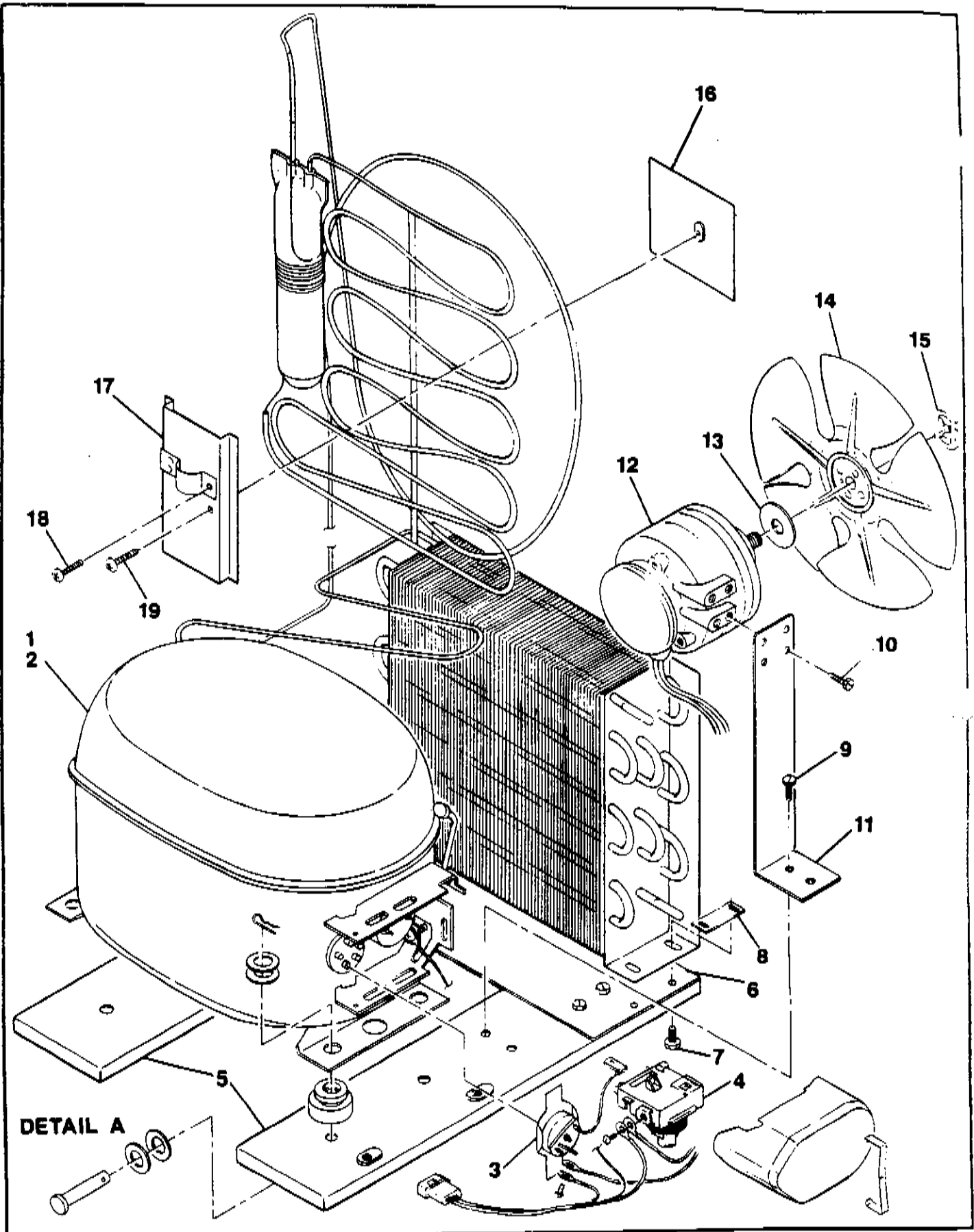
11.02



COMPRESSOR ASSEMBLY (COLD DRINK UNITS)

ITEM 1 IS THE COMPLETE UNIT - ONLY COMPONENTS SHOWN WITH RMI ITEM NUMBERS ARE STOCKED BY RMI - OTHERS ARE NOT AVAILABLE AS SEPARATE SPARE PARTS.

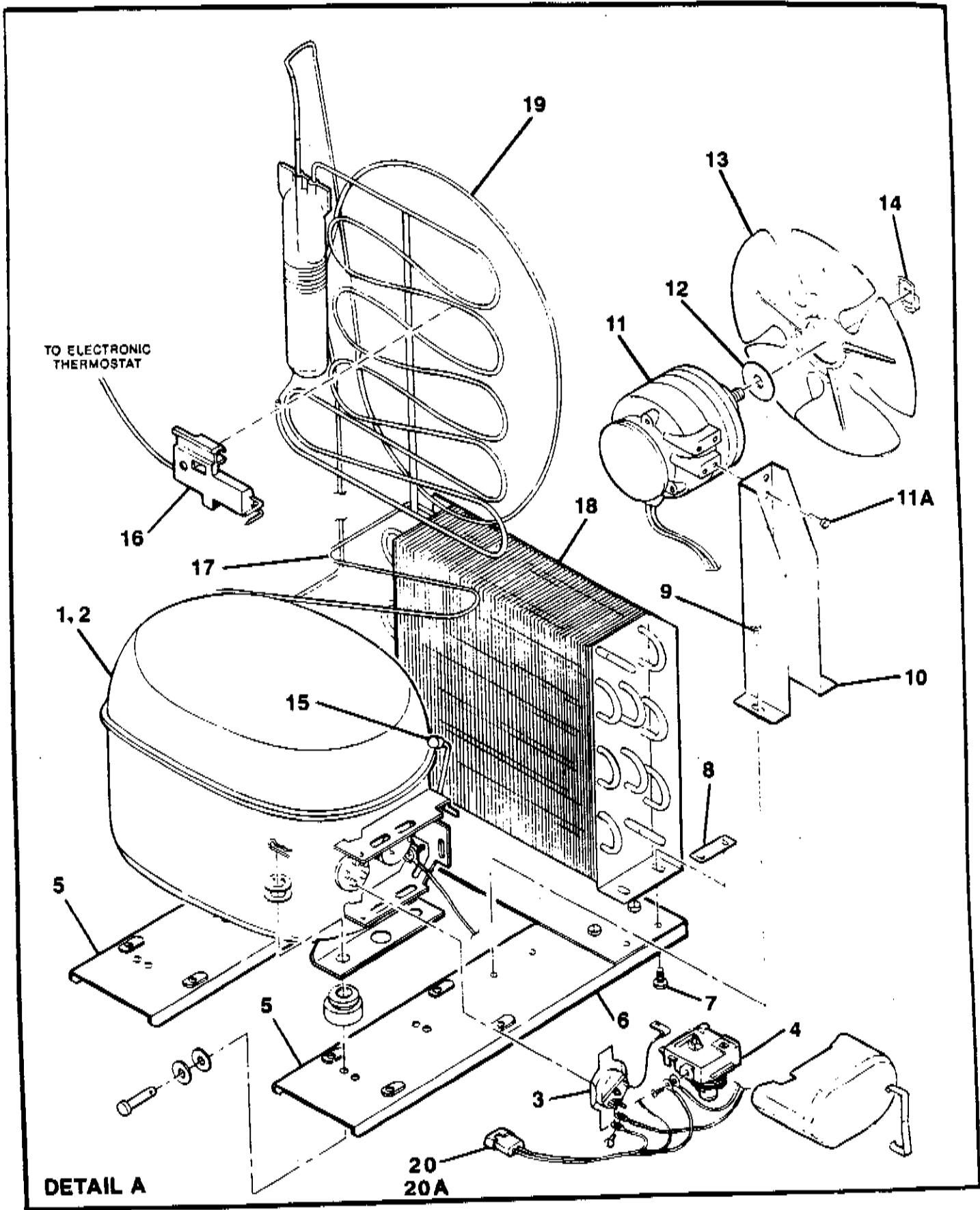
- |    |       |                              |
|----|-------|------------------------------|
| 1. | 34044 | CONDENSING UNIT ASM, WIRED   |
| 2. | 34011 | NUT, 1/4-20, SPEED           |
| 3. | 34012 | WASHER, CUSHION              |
| 4. | 34015 | BLADE, FAN                   |
| 5. | 34013 | MOTOR, 5W., 220-240V., 50HZ. |
| 6. | 34014 | BRACKET, FAN                 |
| 7. | 33833 | RELAY, START                 |
| 8. | 33834 | OVERLOAD                     |



COMPRESSOR ASSEMBLY (COLD DRINK UNITS)

ITEM 1 IS THE COMPLETE UNIT - ONLY COMPONENTS SHOWN WITH RMI ITEM NUMBERS ARE STOCKED BY RMI - OTHERS ARE NOT AVAILABLE AS SEPARATE SPARE PARTS.

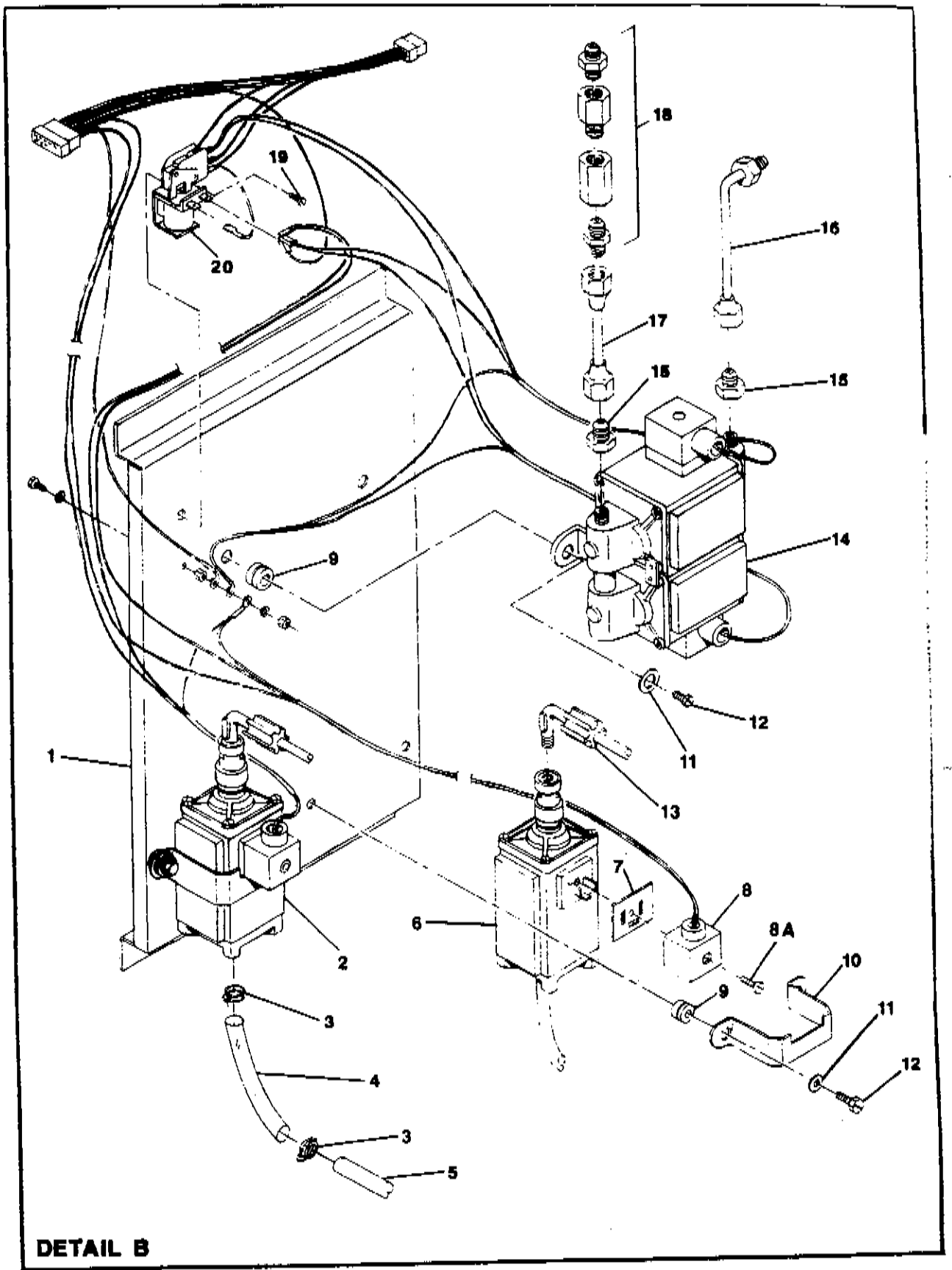
1. 34592 CONDENSING UNIT ASM, WIRED
2. 34552 COMPRESSOR (ONLY), 220V.
3. 33834 OVERLOAD (PART OF ITEM 2)
4. 33833 RELAY, START (PART OF ITEM 2)
5. 34502 BASE ASM, COMPRESSOR
6. 34447 PLATE, BASE CROSSING
7. 16318 SCREW, 6-32 X 3/4, PH, SCP
8. 01179 NUT, 6-32, TWIN-SPEED
9. 14806 SCREW, 8-32 X 3/8, HH, SCP, F, SD WA
10. 17415 SCREW, 1/4-20 X 1/2, HH, WA, M, SCP
11. 34464 BRACKET, FAN MOTOR
12. 34593 MOTOR ASM, FAN
13. 34012 WASHER, CUSHION
14. 34458 BLADE, FAN
15. 34011 NUT, 1/4-20, SPEED
16. 33949 PLATE, BACK
17. 33993 BRACKET, ICE PROBE MOUNT
18. 111S10R6 SCREW, 10-32 X 3/8, TH, SS
19. 100S10-20 SCREW, 10-32 X 1 1/4, RH, M, SS



COMPRESSOR ASSEMBLY (COLD DRINK UNITS)

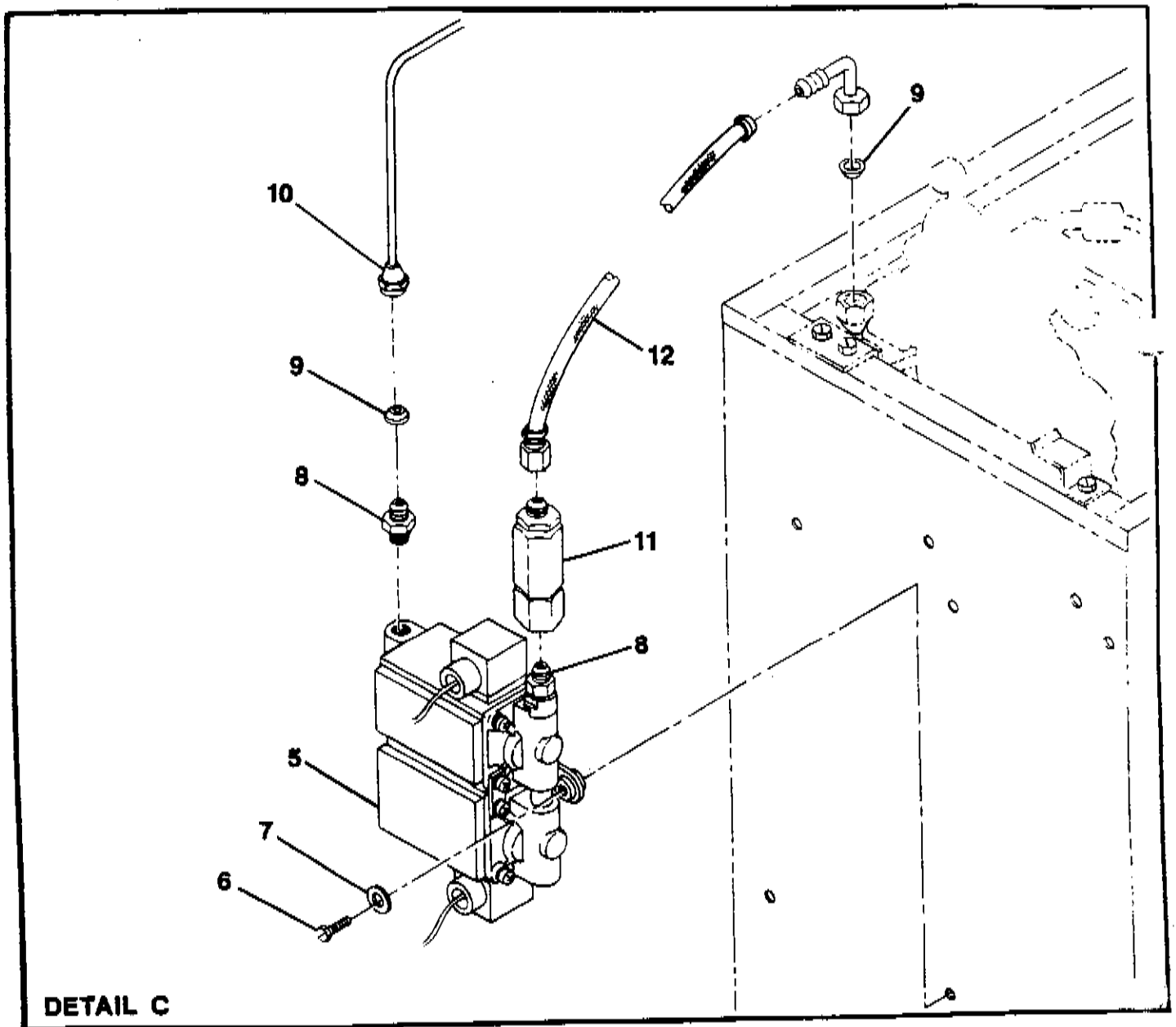
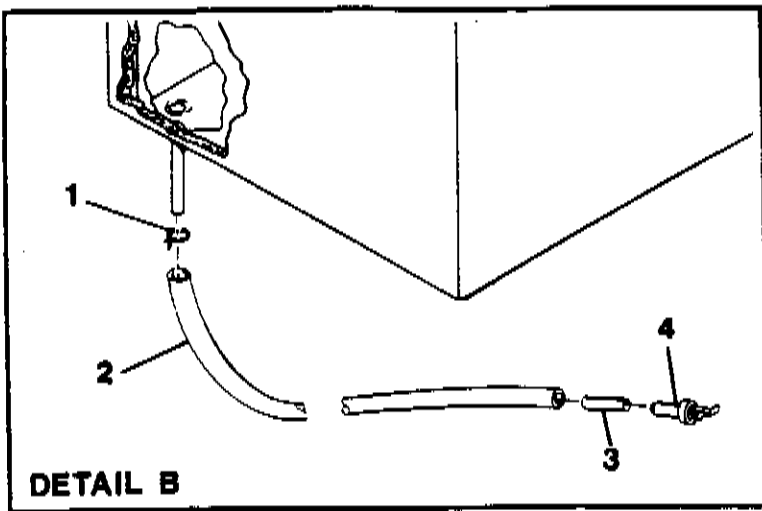
ITEM 1 IS THE COMPLETE UNIT - ONLY COMPONENTS SHOWN WITH RMI ITEM NUMBERS ARE STOCKED BY RMI - OTHERS ARE NOT AVAILABLE AS SEPARATE SPARE PARTS.

- 1. 34592 CONDENSING UNIT ASM, WIRED
- 2. 34552 COMPRESSOR (ONLY), 220V.
- 3. 33834 OVERLOAD (PART OF ITEM 2)
- 4. 33833 RELAY, START (PART OF ITEM 2)
- 5. 34769 BASE ASM, COMPRESSOR
- 6. 34447 PLATE, BASE CROSSING
- 7. 16318 SCREW, 6-32 X 3/4, PH, SCP
- 8. 01179 NUT, 6-32, TWIN-SPEED
- 9. 17415 SCREW, 1/4-20 X 1/2, HH, WA, M, SCP
- 10. 34767 BRACKET, FAN MOTOR
- 11. 34593 MOTOR ASM, FAN
- 11A SCREW, MOTOR (PART OF ITEM 11 - NOT SOLD SEPARATELY)
- 12. 34012 WASHER, CUSHION
- 13. 34458 BLADE, FAN
- 14. 34011 NUT, 1/4-20, SPEED
- 15. 32286 VALVE, SERVICE
- 16. 34826 PROBE, ICE CONTROL
- 17. 34595 TUBE, COMPRESSOR TO CONDENSER
- 18. 34460 CONDENSER
- 19. 34554 COIL ASM, EVAPORATOR
- 20. 34598 HARNESS ASM, COMPRESSOR
- 20A. 34967 HARNESS ASM, COMPRESSOR -TUV



PUMP ASSEMBLIES: SYRUP AND WATER (COLD DRINK UNITS)

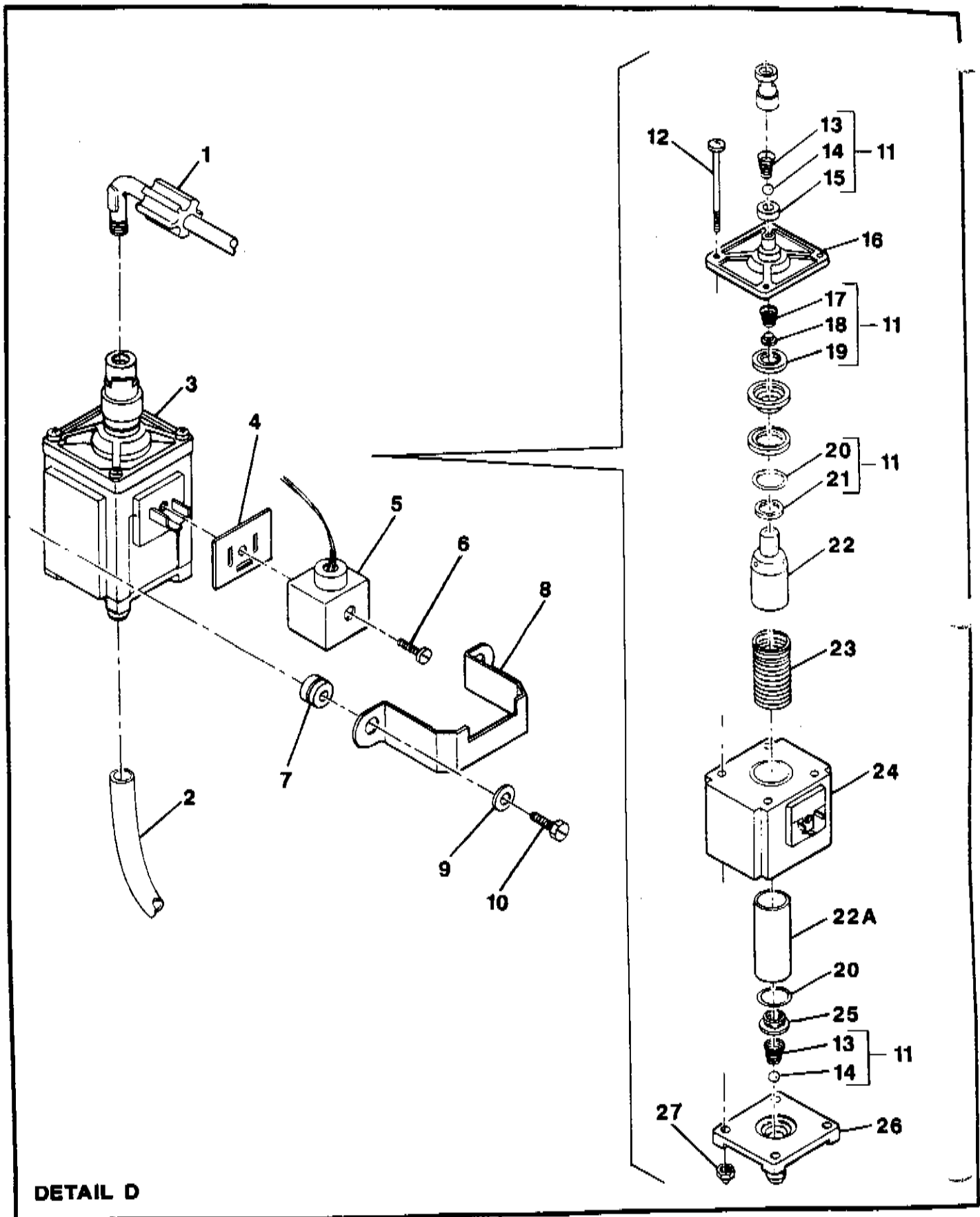
1.	32986	CHANNEL ASM, PUMP MOUNTING
2.	32356	PUMP ASM SYRUP
3.	33996	CLAMP, WIRE HOSE, 7/16
4.	22691	TUBE, PVC, 1/4 X 7/16, CLEAR (BULK NO. SOLD PER INCH; 36 INCHES PER UNIT)
5.	33853	TUBE, SYRUP DIP
6.	32780	PUMP, SYRUP, F.O.T.
7.	32764	SEAL, ELECTRIC PLUG, SYRUP PUMP
8.	32763	CABLE WITH PLUG, SYRUP PUMP
8A.	32510	SCREW, METRIC, 3MM X 30MM, PH, SD, SCP
9.	14089	SPACER, PUMPS
10.	32761	BRACKET, SYRUP PUMP
11.	32762	MOUNT, RUBBER, PUMP
12.	16335	SCREW, 8-32 X 5/8, PH, SCP
13.	33946	ELBOW, 1/8 MPT X 5/16, NY
14.	33300	PUMP, WATER
15.	33304	CONNECTOR, 3/8 MFL X 1/8 NPT
16.	33393	LINE ASM, WATER PUMP TO COIL
17.	33394	TUBE ASM, WATER INLET LINE
18.	33301	PREVENTER, BACK FLOW
19.	14806	SCREW, 8-32 X 3/8, HH, SCP, F, SD WA
20.	27034	RELAY, POWER





WATER PUMP ASSEMBLY AND DRAIN TUBE

1. 34318 CLAMP, WIRE HOSE
2. 22691 TUBE, PVC, 1/4 X 7/16, CLEAR (BULK NO. SOLD PER INCH)
3. 34567 TUBE, DRAIN, 1/2 OD X 1", COPPER
4. 34586 SEAL, ADJUST, 7/16 HOLE
5. 33300 PUMP, WATER
6. 16335 SCREW, 8-32 X 5/8, PH, SCP
7. 600-316 WASHER, FLAT, 3/16 BURR. CRS, PL
8. 34582 UNION, HALF, 1/8 MPT X 1/4 MFL, TP
9. 34045 WASHER, 1/4 FLARE, NYLON
10. 34558 TUBE ASM, INLET CARBONATOR WATER PUMP
11. 33301 PREVENTER, BACK FLOW
12. 34606 HOSE ASM, WATER COIL TO WATER PUMP

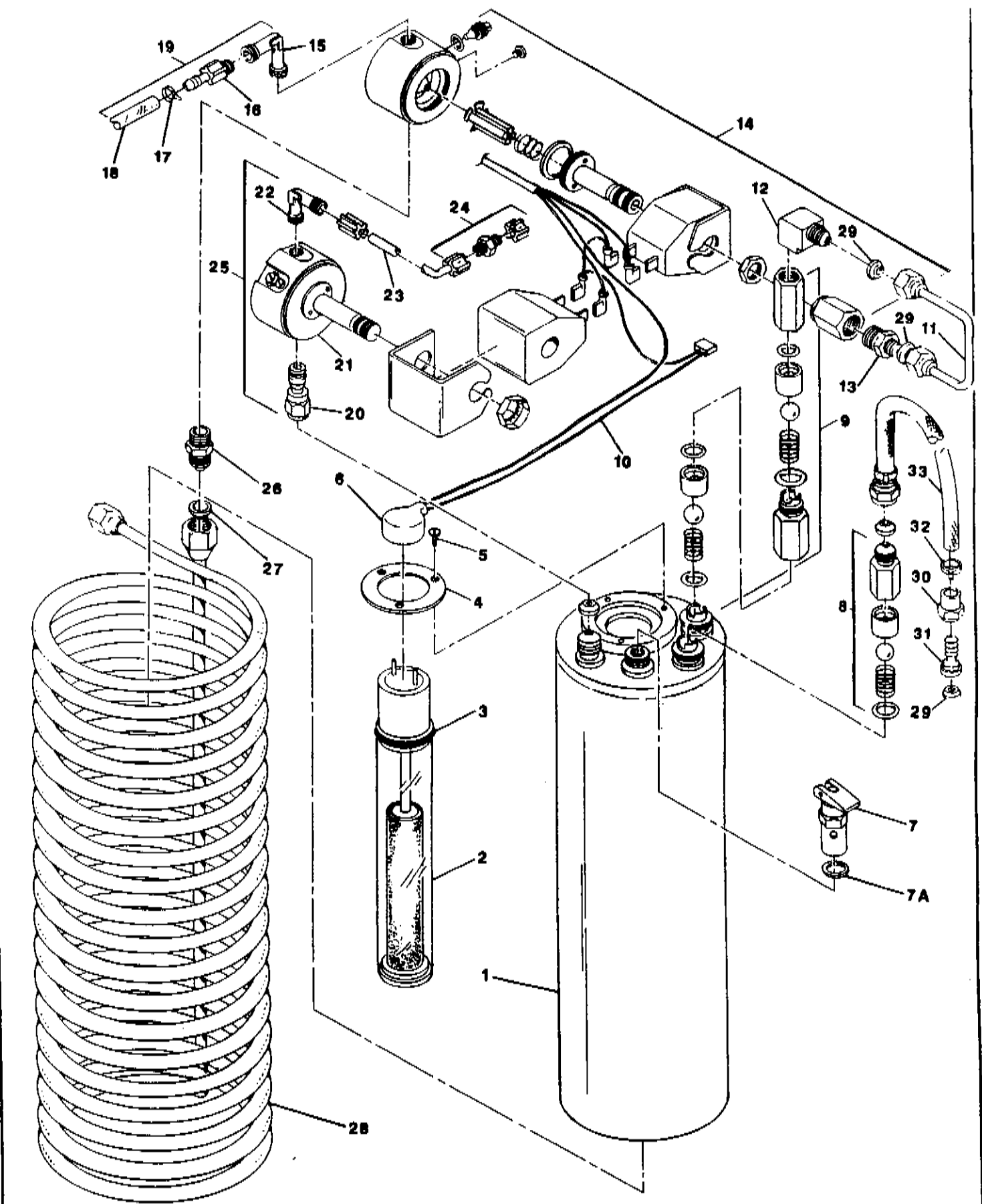


DETAIL D

### SYRUP PUMP ASSEMBLY

ONLY ITEMS SHOWN WITH RMI ITEM NUMBERS ARE STOCKED BY RMI - OTHERS ARE NOT AVAILABLE AS SEPARATE SPARE PARTS. ITEMS WITH NOTE "ORDER ITEM 11" ARE SOLD AS PART OF KIT 34340.

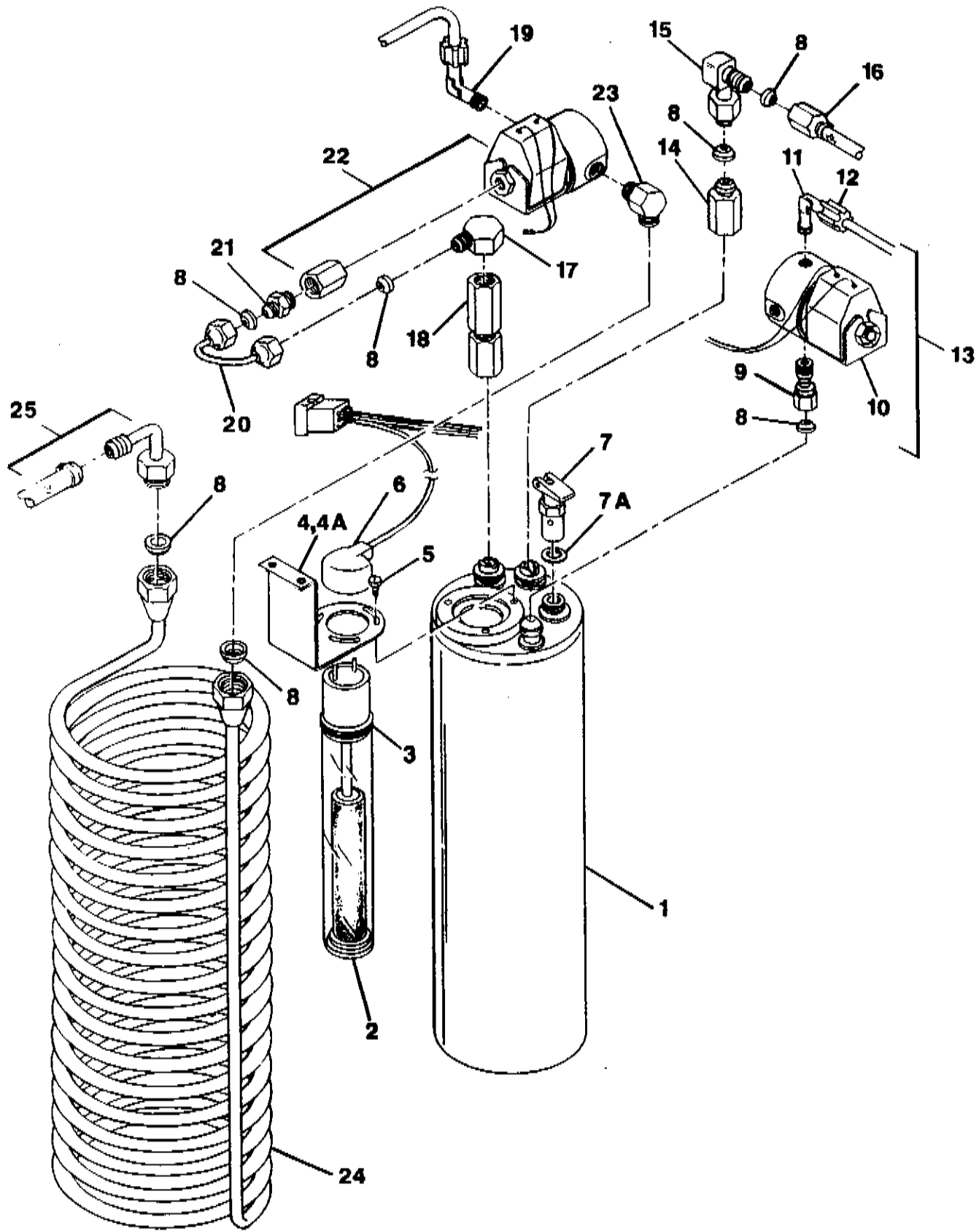
1.	33946	ELBOW, 1/8 MPT X 5/16, NY
2.	22691	TUBE, PVC, 1/4 X 7/16, CLEAR (BULK NO. SOLD PER INCH)
3.	32760	PUMP, SYRUP, F.O.T.
4.	32764	SEAL, ELECTRIC PLUG, SYRUP PUMP
5.	32763	CABLE WITH PLUG, SYRUP PUMP
6.	32510	SCREW, METRIC, 3MM X 30MM, PH. SD, SCP
7.	32762	MOUNT, RUBBER, PUMP
8.	32761	BRACKET, SYRUP PUMP
9.	14089	SPACER, PUMPS
10.	16335	SCREW, 8-32 X 5/8, PH, SCP
11.	34340	KIT, REBUILD SYRUP PUMP (INCLUDES ITEMS 13 - 15, 17 - 21)
12.	34324	BOLT, SYRUP PUMP
13.		SPRING, CHECK VALVE (ORDER ITEM 11)
14.		BALL, CHECK VALVE (ORDER ITEM 11)
15.		SEAL, OUTLET, CHECK VALVE (ORDER ITEM 11)
16.	34330	FLANGE, OUTLET
17.		SPRING, PRIME CHECK VALVE (ORDER ITEM 11)
18.		DOME, PRIME CHECK VALVE (ORDER ITEM 11)
19.		SEAL, PISTON (ORDER ITEM 11)
20.		RING, 'O' (ORDER ITEM 11)
21.		GASKET, IMPACT (ORDER ITEM 11)
22.	34336	TUBE, PISTON GUIDE
22A.		TUBE (PART OF ITEM 22 - NOT SOLD SEPARATELY)
23.	34326	SPRING, PISTON
24.	34337	COIL, 110V., 50/60 HZ.
25.	34338	BUSHING, SPRING GUIDE
26.	34339	FLANGE, INLET
27.	34325	NUT, SYRUP PUMP



DETAIL C

CARBONATOR ASSEMBLY (COLD DRINK UNITS)

1. 33298-1 CARBONATOR (LESS PLUG) (INCLUDES ITEMS 2-4 & 7-9)
2. 34008 PROBE, FLOAT
3. 34009 RING, 'O', FLOAT PROBE
4. 34010 RING, HOLD-DOWN PROBE
5. SCREW, PROBE (PART OF ITEM 1 - NOT SOLD SEPARATELY)
6. 33532 PLUG, CARBONATOR PROBE
7. 34006 FITTING, PRESSURE RELIEF
- 7A. RING, FITTING (PART OF ITEM 7 - NOT SOLD SEPARATELY)
8. 34007 VALVE, CHECK, CO2 GAS INLET
9. 34019 VALVE, DOUBLE BALL CHECK, WATER INLET
10. 33521 HARNESS ASM, WATER COOLER (INCLUDES ITEM 6)
11. 33950 TUBE ASM, 'U', COLD WATER BATH
12. 00359 ELBOW, 1/4 MFL X 1/4 MPT, BRASS
13. 22531 CONNECTOR, 1/4 FLR X 1/4 NPT, BRASS
14. 34000 VALVE, SOLENOID, 115V., 60HZ.
15. 33999 ELBOW, 1/4 MPT X 5/16, NYLON
16. 33998 BARB, HOSE, SS
17. 33997 CLAMP, WIRE HOSE, 3/8
18. 34001 TUBE, PVC, 1/4 ID X 3/8 OD, BEVERAGE  
(BULK NO. SOLD PER INCH; 24 INCHES PER UNIT)
19. 33316 VALVE ASM, SOLENOID, 3 WAY (INCLUDES ITEM 13-18)
20. 34002 FITTING, CO2 VALVE
21. 34003 VALVE, SOLENOID, 115V, 60HZ.
22. 34018 ELBOW, 1/4TU X 1/8 MPT
23. 33864 TUBE, SILICONE, 1/16 ID X 1/4 OD X 093  
(BULK NO. SOLD PER INCH; 20 IN. PER UNIT)
24. 34017 COUPLING, 1/4TU X 1/4TU, NYLON
25. 33315 VALVE ASM, SOLENOID, 2 WAY (INCLUDES ITEMS 20-24)
26. 27017 CONNECTOR, MALE, 1/4 MPT X 3/8 FL
27. 34020 WASHER, 3/8 FLARE FTG, NYLON
28. 33308 COIL ASM, WATER
29. 34045 WASHER, 1/4 FLARE
30. 34038 NUT, 1/4 NPT, FLARE
31. 34046 NIPPLE, .156 TUBE, SS
32. 34047 CLAMP, OETIKER, 7/16
33. 34048 TUBE, BEVERAGE, .156 ID, SS BRD  
(BULK NO. SOLD PER INCH; 36 INCHES PER UNIT)



DETAIL E

CARBONATOR ASSEMBLY (COLD DRINK UNITS)

1. 33298-1 CARBONATOR (LESS PLUG) (INCLUDES ITEMS 2-4 & 7-9)
2. 34008 PROBE, FLOAT
3. 34009 RING, 'O', FLOAT PROBE
4. 34585 BRACKET, CARBONATOR, LHD (ORDER ITEMS 4 & 4A)
- 4A. 34585-1 BRACKET, CARBONATOR, RHD (ORDER ITEMS 4 & 4A)
5. SCREW, PROBE (PART OF ITEM 1 - NOT SOLD SEPARATELY)
6. 33532 PLUG, CARBONATOR PROBE
7. 34006 FITTING, PRESSURE RELIEF
- 7A. RING, FITTING (PART OF ITEM 7 - NOT SOLD SEPARATELY)
8. 34045 WASHER, 1/4 FLARE
9. 34002 FITTING, CO2 VALVE
10. 34003 VALVE, SOLENOID, 115V, 60HZ.
11. 34018 ELBOW, 1/4TU X 1/8 MPT
12. 33884 TUBE, SILICONE, 1/16 ID X 1/4 OD X 093
13. 34604 VALVE ASM, SOLENOID, 2 WAY (INCLUDES ITEMS 9 - 12)
14. 34007 VALVE, CHECK, CO2 GAS INLET
15. 34579 ELBOW, 1/4 MFL X 1/4 FFL, SS
16. 33655 HOSE ASM, CO2
17. 34580 ELBOW, 1/4 MFL X 1/4 MPT, SS
18. 34019 VALVE, DOUBLE BALL CHECK, WATER INLET
19. 33999 ELBOW, 1/4 MPT X 5/16, NYLON
20. 33950 TUBE ASM, 'U', COLD WATER BATH
21. 25086 CONNECTOR, 1/4 MPT X 1/4 MFL, SS
22. 34515 VALVE ASM, SOLENOID, 115V., 60 HZ. (WITH 18' LEADS)
23. 34578 ELBOW, 1/4 MPT X 3/8 MFL, SS
24. 34553 COIL ASM, CARBONATOR, WATER COOLING
25. 34606 HOSE ASM, WATER COIL TO WATER PUMP

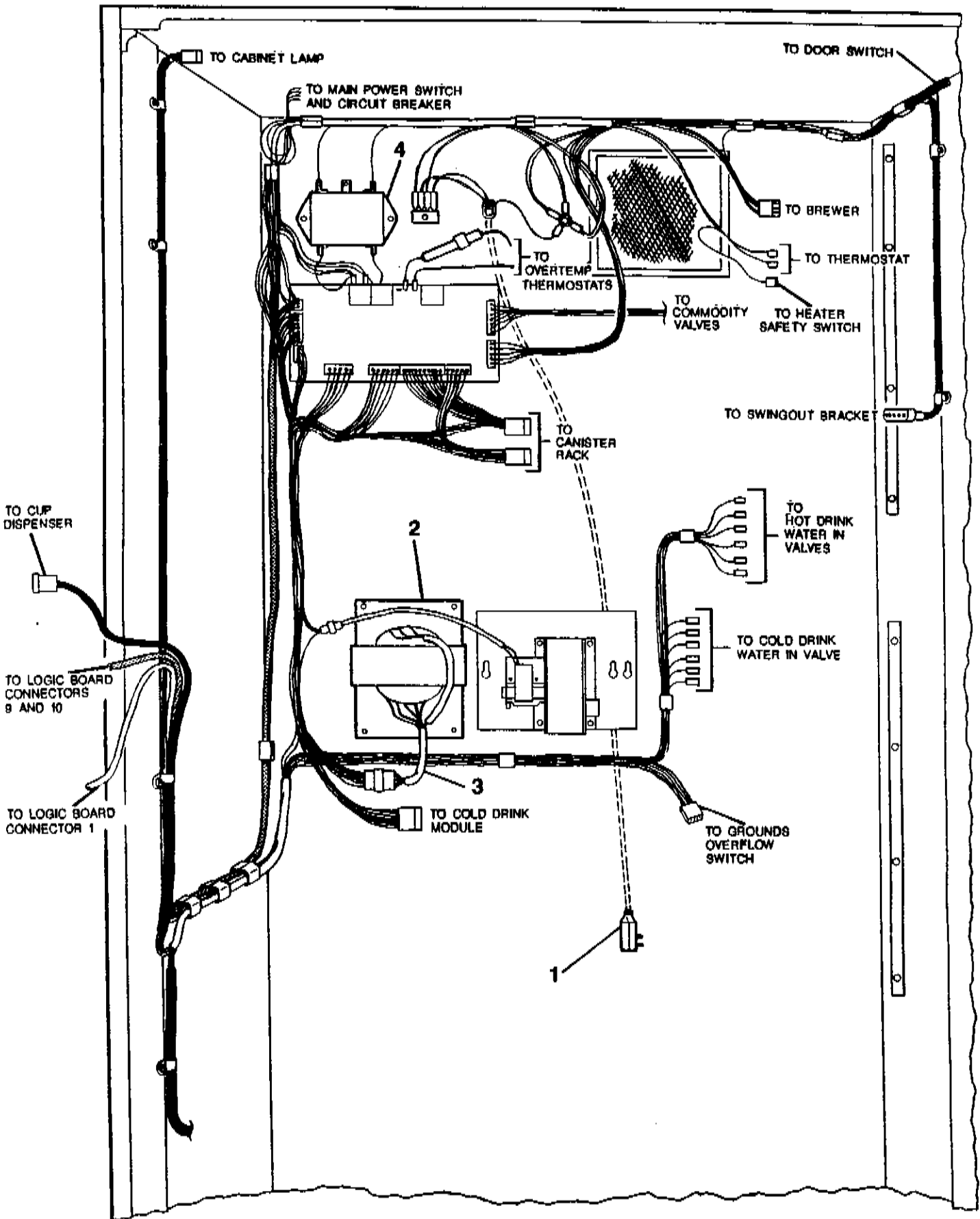




DIAGRAM: WIRING AND ELECTRICAL ITEMS INSIDE CABINET

1. 33520 HARNESS ASM, POWER CORD
2. 32118 TRANSFORMER, 240 VAC/50 HZ.
3. 33536 HARNESS ASM, TRANSFORMER (INCLUDES ITEM 2)
4. 29003 FILTER, EMI
5. 27897 STRIP, TERMINAL, 2 POSITION

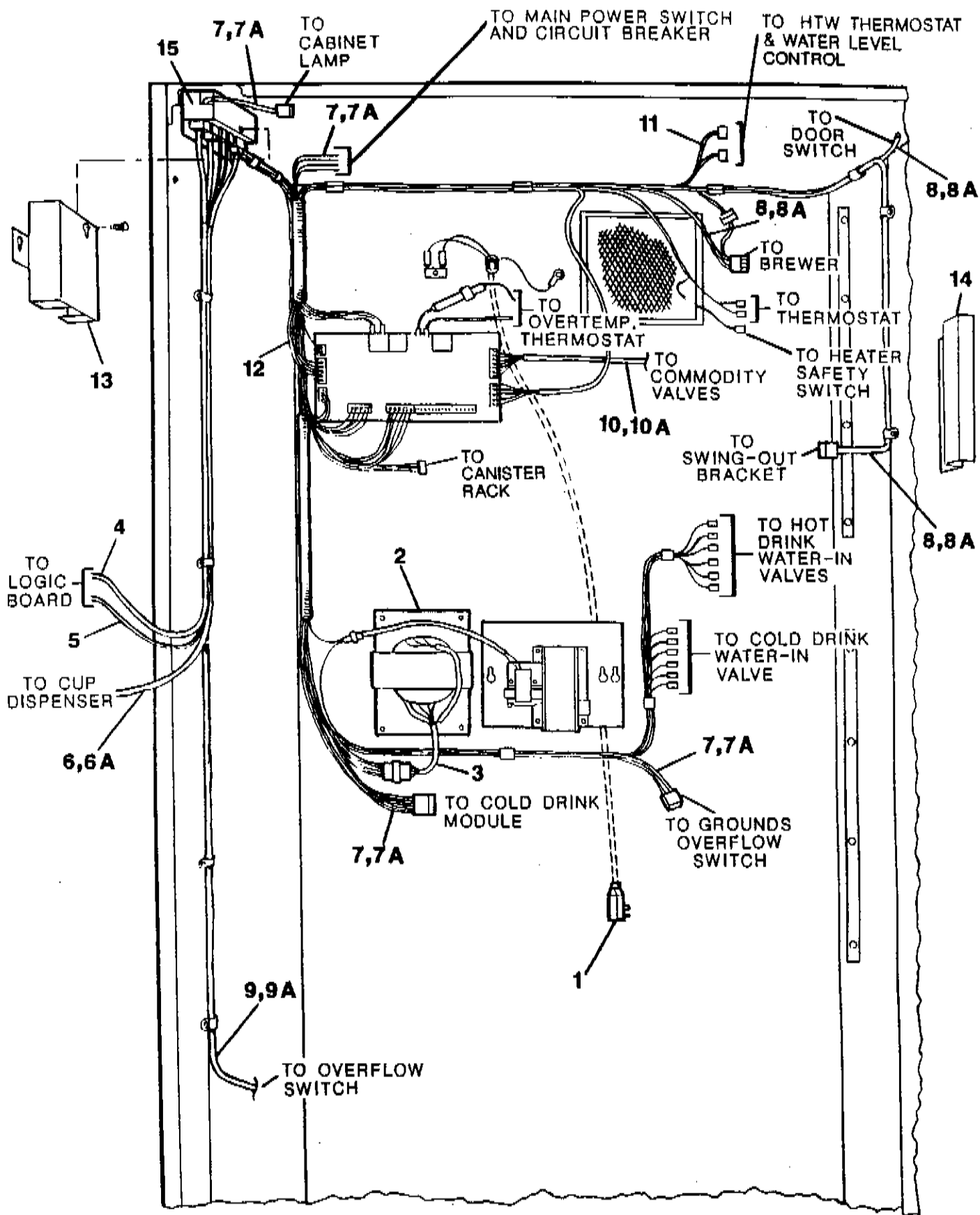
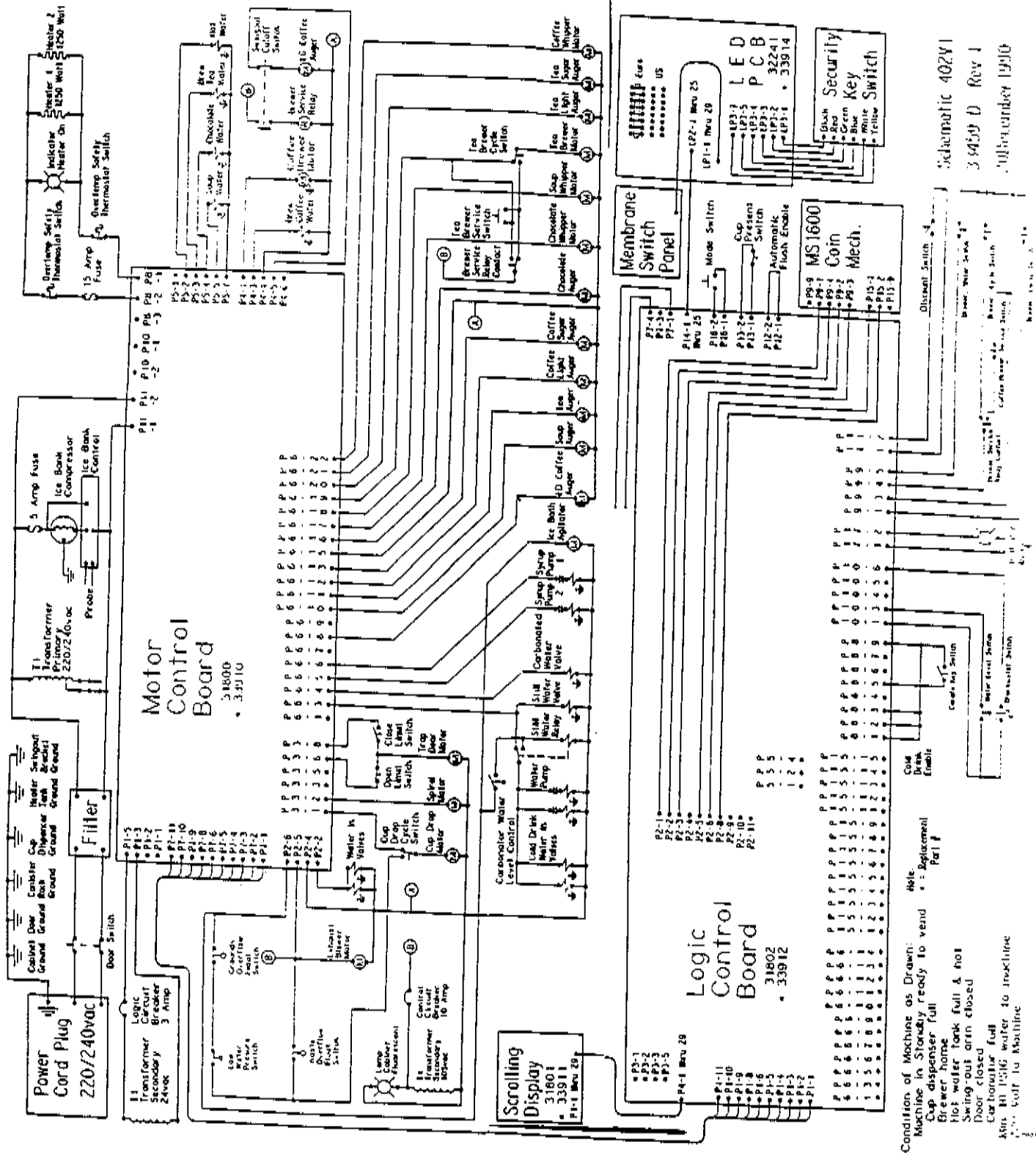


DIAGRAM: WIRING AND ELECTRICAL ITEMS INSIDE CABINET

1. 33520 HARNESS ASM, POWER CORD
2. 32118 TRANSFORMER, 240 VAC/50 HZ.
3. 33536 HARNESS ASM, TRANSFORMER (INCLUDES ITEM 2)
4. 34751 HARNESS ASM, DOOR CONTROL SWITCHES
5. 34750 HARNESS ASM, DOOR INTERCONNECT
6. 34770 HARNESS ASM, DOOR CUP DROP
- 6A. 34975 HARNESS ASM, DOOR CUP DROP -TUV
7. 34746 HARNESS ASM, CABINET, MAIN
- 7A. 34971 HARNESS ASM, CABINET, MAIN - TUV
8. 34749 HARNESS ASM, CABINET, BREWER
- 8A. 34972 HARNESS ASM, CABINET, BREWER - TUV
9. 34755 HARNESS ASM, WASTE SOLD OUT
- 9A. 34973 HARNESS ASM, WASTE SOLD OUT - TUV
10. 34810 HARNESS ASM, VALVES HWT
- 10A. 34980 HARNESS ASM, VALVES HWT - TUV
11. 34748 HARNESS ASM, CAB CONTROL SWITCHES
12. 34747 HARNESS ASM, CAB INTERCONNECT
13. 34900 COVER, PLUG CONNECTOR
14. 35108 COVER, PLUG, SWING-OUT BRACKET
15. 35094 BRACKET, PLUG MOUNTING

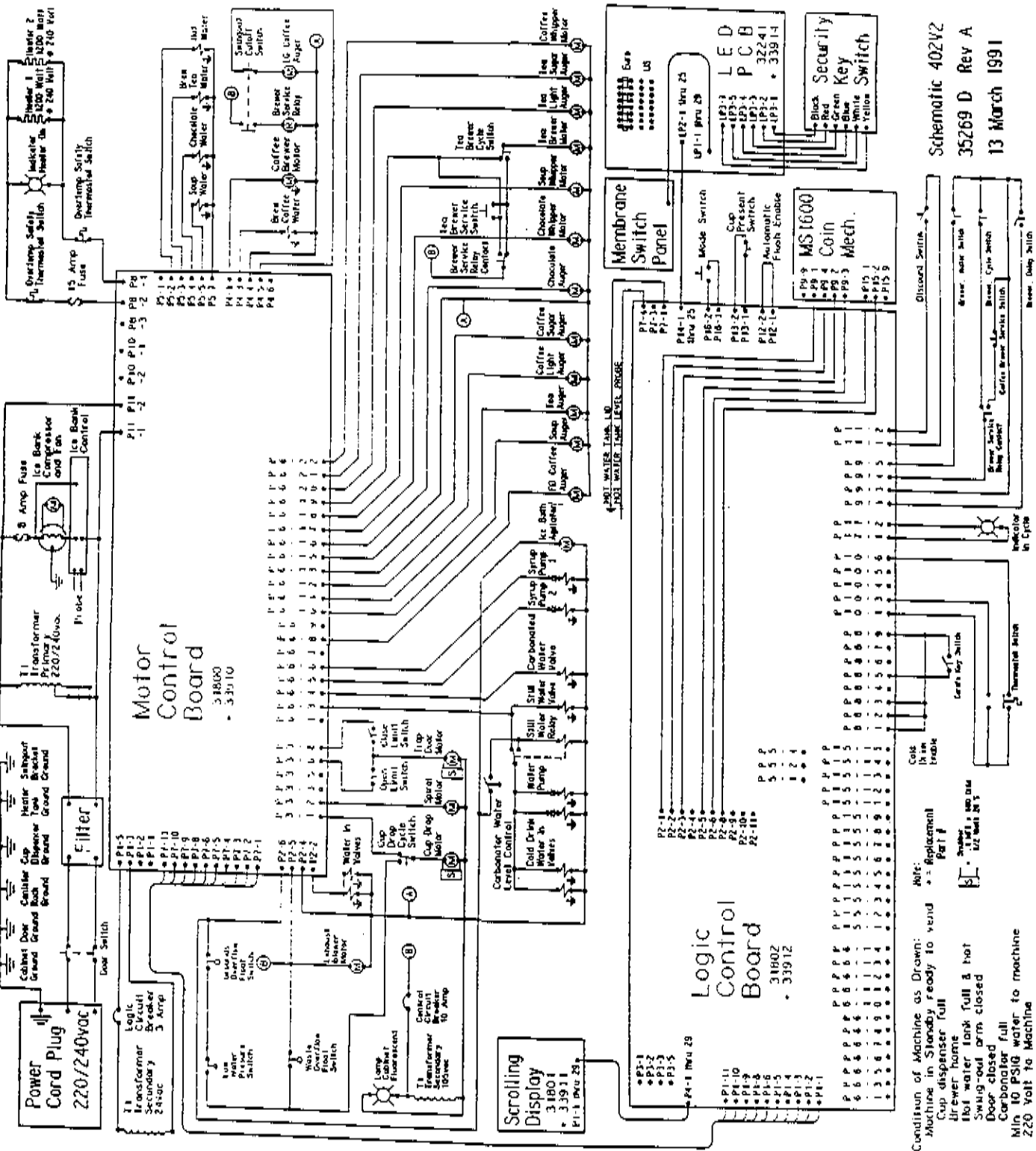


Schematic 402Y1  
3459 D Rev 1  
July/August 1990

Condition of Machine as Drawn: Note  
 Machine in Storage, ready to vend : : Appliance  
 Cup dispenser full Part #  
 Brewer home  
 Hot water tank full & hot  
 Swing out drain closed  
 Door closed full  
 Carbonator full  
 Min. fill water to machine  
 Full to machine

SCHEMATIC DIAGRAM - VERSION 1

FOR USE WITH FLOAT HEATER TANK LEVEL CONTROL.

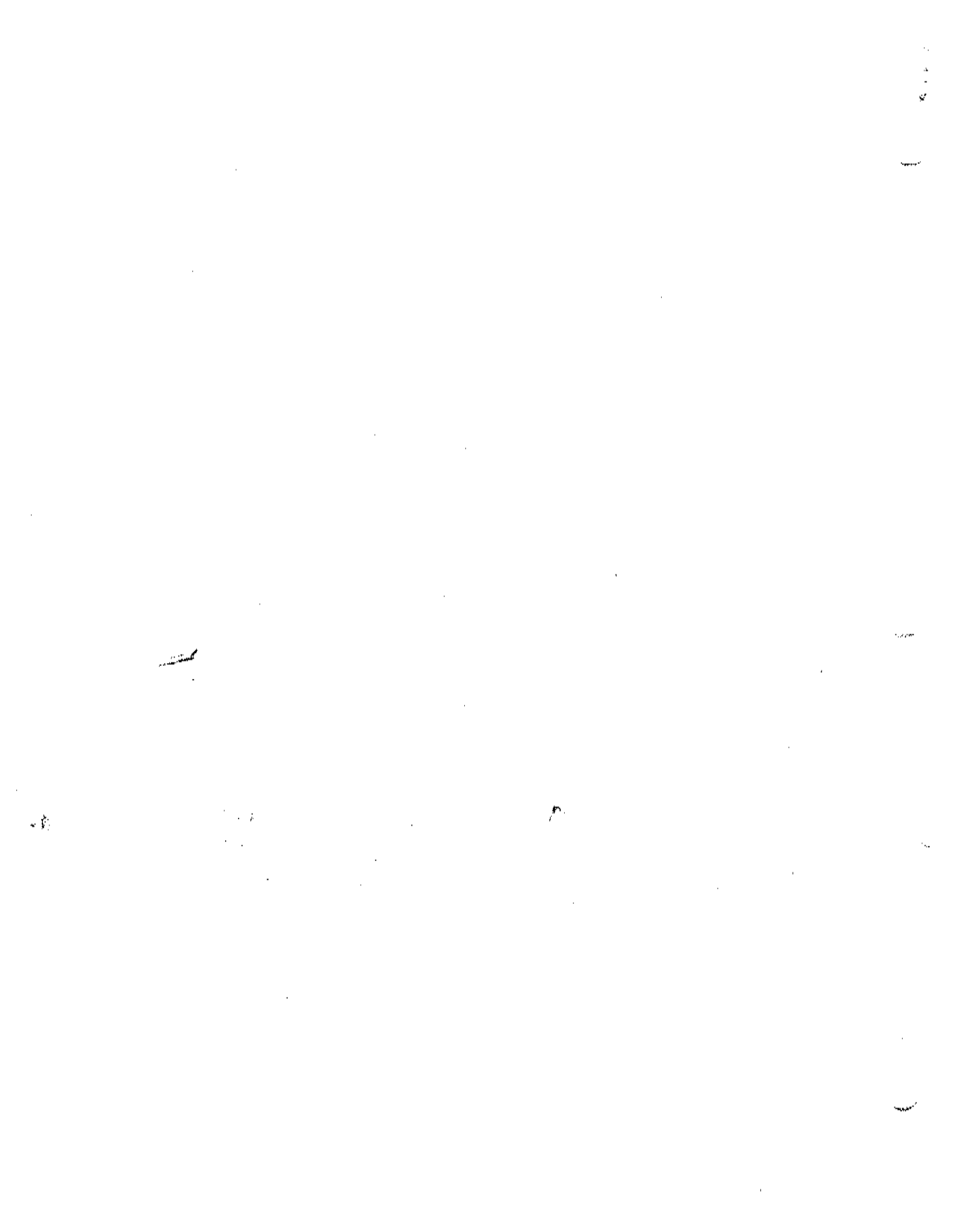


Schematic 40242  
 35269 D Rev A  
 13 March 1991

Condition of Machine as Drawn:  
 Machine in Standby ready to vend  
 Cup dispenser full  
 Brewer home  
 Hot water tank full & hot  
 Swing-out arm closed  
 Door closed  
 Carbonator full  
 Min 10 PSI water to machine  
 220 Volt to Machine

SCHEMATIC DIAGRAM - VERSION 2

FOR USE WITH ELECTRONIC PROBE HEATER TANK LEVEL CONTROL.



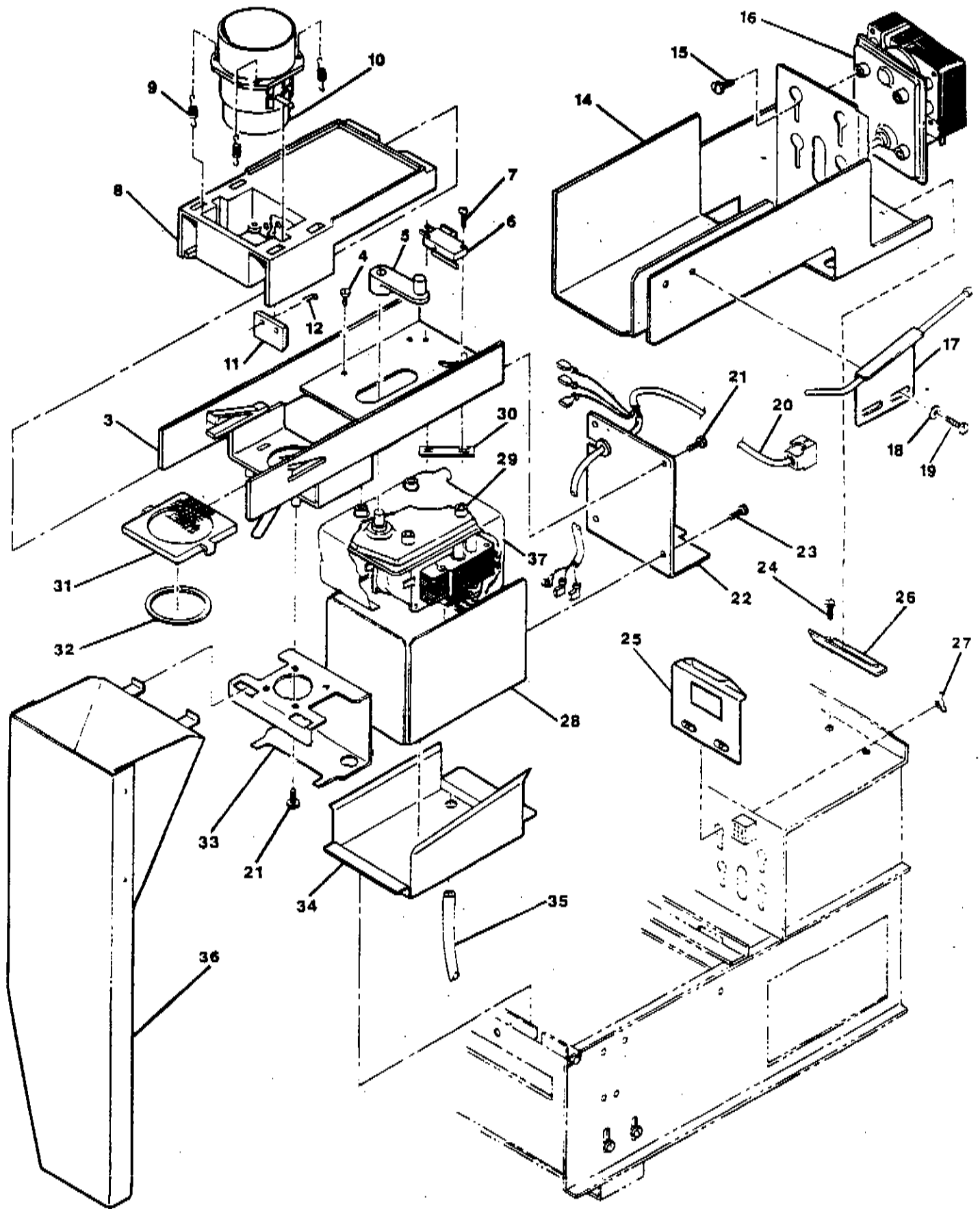


BREWER ASSEMBLY, TEA, WITH RELATED ITEMS

1. 32735 BREWER ASM, TEA, 9 OZ. COMPLETE
2. 32743 BASE ASM, TEA BREWER (INCLUDES ITEMS 3-7, 21-23, 33-35 & 38)
3. 32649 BASE, TEA BREWER
4. 25795 SCREW, 8-32 X 5/16, PH, SCP
5. 32741 ARM, CRANK, TEA BREWER
6. 32739 SWITCH, INDEX, TEA BREWER
7. 21193 SCREW, 4-40 X 3/4, RH, M
8. 32651 CARRIAGE, TEA BREWER
9. 33711 SPRING, EXTENSION, TEA BREW CAVITY
10. 32650 CAVITY, TEA BREWER, 9 OZ.
11. 32744 BLADE, WIPER, TEA BREWER
12. 06031 PIN, COTTER, 1/16 X 1/2, SS
13. 32745 CARRIAGE ASM, TEA BREWER (INCLUDES ITEMS 8-12)
14. 32733 BRACKET, TEA CANISTER AND MOTOR, WELDED
15. 14487 SCREW, 8-32 X 1/4, PH (QUANTITY 4 PER MOTOR ASM)
16. 22737 MOTOR ASM, 180 RPM, AUGER (INCLUDES ITEM 15)
17. 33873 TUBE ASM, TEA BREWER, 9 OZ.
18. 00167 WASHER, LOCK, #8 SPLIT, SCP
19. 09479 SCREW, 8-32 X 3/8, PH, M, SS
20. 33106 HARNESS ASM, TEA BREWER
21. 29942 SCREW, 6 X 3/8, HH, SD
22. 32736 CATCH, REAR, TEA BREWER
23. 25567 SCREW, 6-32 X 3/8, PH, M, SS
24. 14806 SCREW, 8-32 X 3/8, HH, SCP F, SD WA
25. 32731 CATCH, FRONT, TEA CANISTER
26. 32732 CATCH, REAR, TEA CANISTER
27. 06888 NUT, 8-32 WING, ZINC WA BASE
28. 32742 COVER ASM, MOTOR, TEA BREWER
29. 32738 MOTOR, TEA BREWER, 120V, 50/60 HZ.
30. 32740 NUT, 4-40, TWIN-SPEED
31. 32892 FILTER, MOLDED, TEA BREWER
32. 33538 SEAL, FILTER, TEA BREWER, BLACK
33. 33941 CATCH, FRONT, TEA BREWER
34. 32679 PAN, DRIP, TEA BREWER
35. 19033 TUBE, SILICONE, 5/16 ID X 1/2 OD, BROWN (BULK NO. SOLD PER INCH)
36. 33940 CHUTE ASM, TEA BREWER
37. 34204 BOOT, TEA BREWER MOTOR

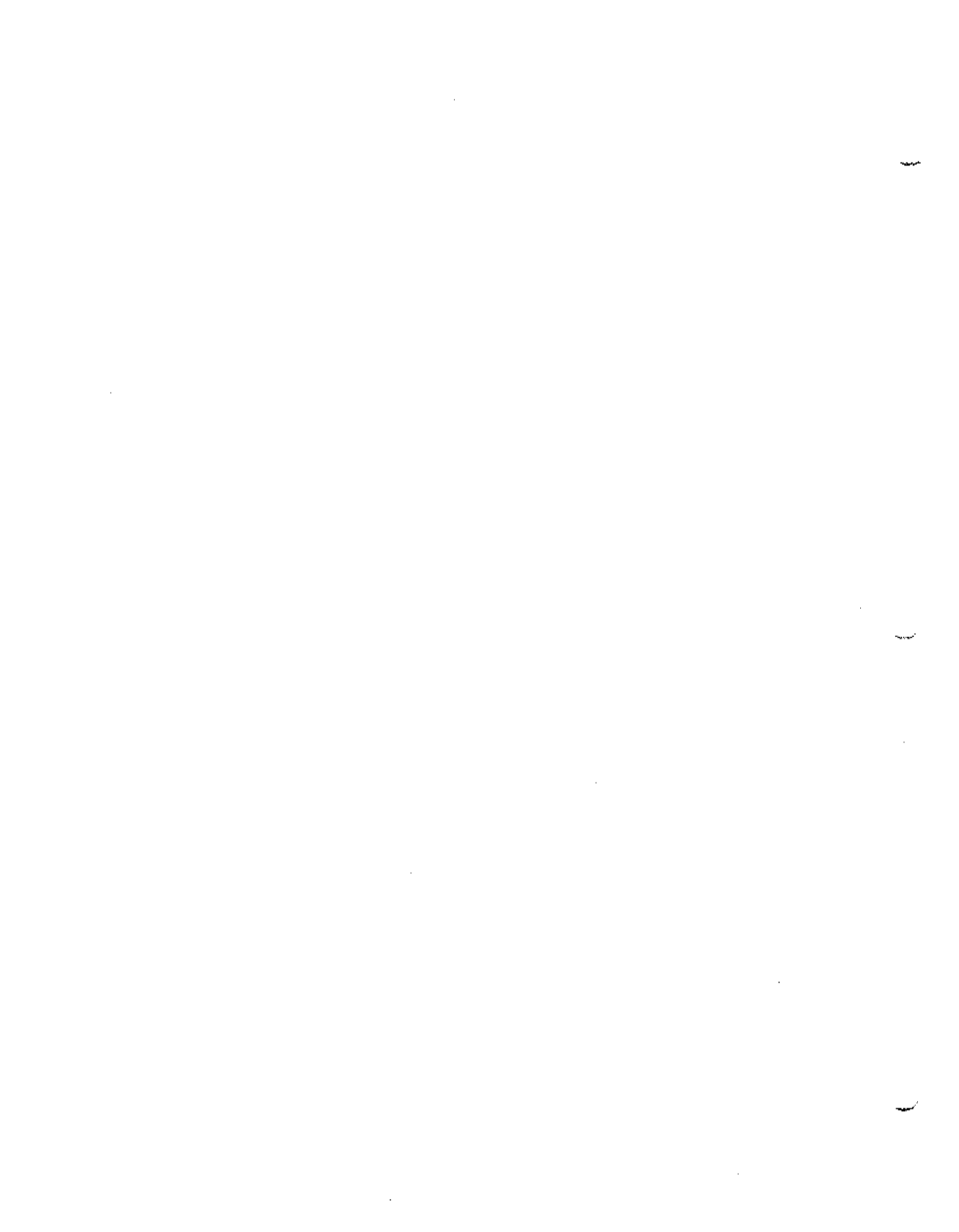
203





6.04A

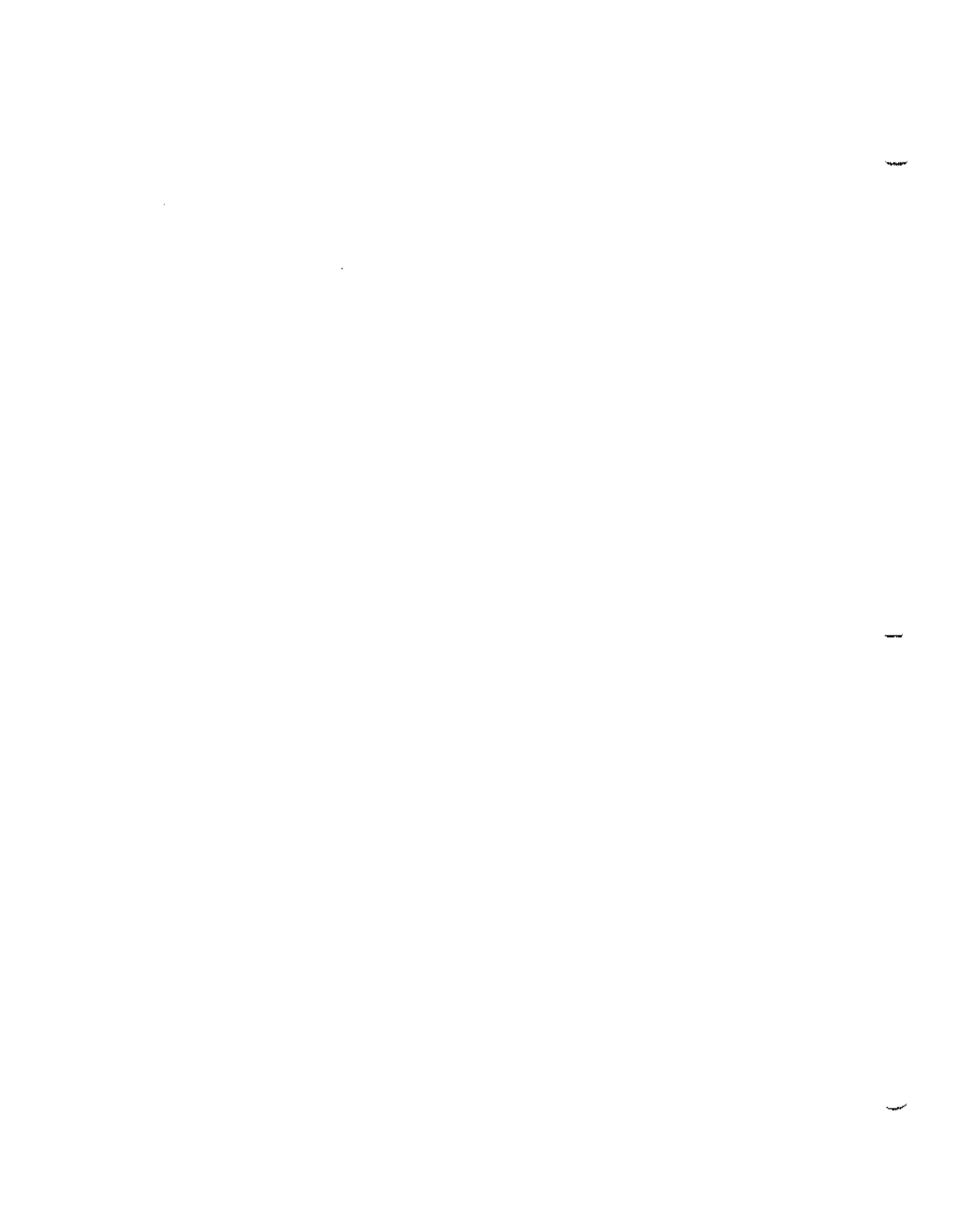
203

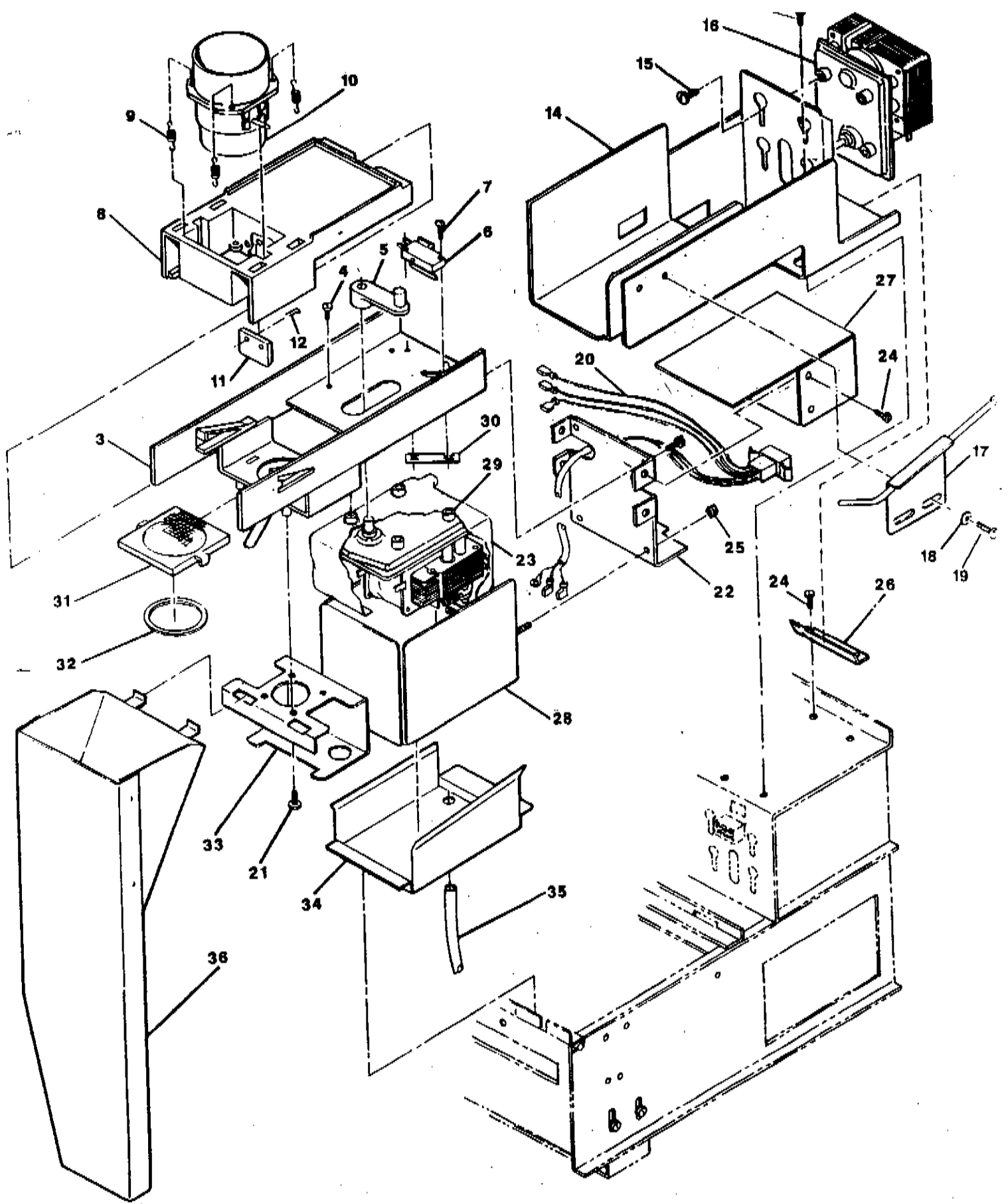


BREWER ASSEMBLY, TEA, WITH RELATED ITEMS, COMMON DESIGN

1. 35320 BREWER ASM, TEA, 9 OZ. COMPLETE
2. 35311 BASE ASM, TEA BREWER (INCLUDES ITEMS 3-7, 20-23, 25, 27-33)
3. 32649 BASE, TEA BREWER
4. 25795 SCREW, 8-32 X 5/16, PH, SCP
5. 32741 ARM, CRANK, TEA BREWER
6. 32739 SWITCH, INDEX, TEA BREWER
7. 21193 SCREW, 4-40 X 3/4, RH, M
8. 32651 CARRIAGE, TEA BREWER
9. 33711 SPRING, EXTENSION, TEA BREW CAVITY
10. 32650 CAVITY, TEA BREWER, 9 OZ.
11. 32744 BLADE, WIPER, TEA BREWER
12. 06031 PIN, COTTER, 1/16 X 1/2, SS
13. 32745 CARRIAGE ASM, TEA BREWER (INCLUDES ITEMS 8-12)
14. 32733 BRACKET, TEA CANISTER AND MOTOR, WELDED
15. 14487 SCREW, 8-32 X 1/4, PH (QUANTITY 4 PER MOTOR ASM)
16. 22737 MOTOR ASM, 180 RPM, AUGER (INCLUDES ITEM 15)
17. 33873 TUBE ASM, TEA BREWER, 9 OZ.
18. 00167 WASHER, LOCK, #8 SPLIT, SCP
19. 09479 SCREW, 8-32 X 3/8, PH, M, SS
20. 35030 HARNESS ASM, TEA BREWER
21. 29942 SCREW, 6 X 3/8, HH, SD
22. 35236 CATCH, REAR, TEA BREWER
23. 34204 BOOT, TEA BREWER MOTOR
24. 14806 SCREW, 8-32 X 3/8, HH, SCP F, SD WA
25. 09043 NUT, 8-32, HEX, SCP
26. 32732 CATCH, REAR, TEA CANISTER
27. 35235 BRACKET, PLUG, TEA BREWER
28. 35296 COVER ASM, MOTOR, TEA BREWER
29. 32738 MOTOR, TEA BREWER, 120V, 50/60 HZ.
30. 32740 NUT, 4-40, TWIN-SPEED
31. 32892 FILTER, MOLDED, TEA BREWER
32. 33538 SEAL, FILTER, TEA BREWER, BLACK
33. 35237 CATCH, FRONT, TEA BREWER
34. 32879 PAN, DRIP, TEA BREWER
35. 19033 TUBE, SILICONE, 5/16 ID X 1/2 OD, BROWN (BULK NO. SOLD PER INCH)
36. 35234 CHUTE ASM, TEA BREWER

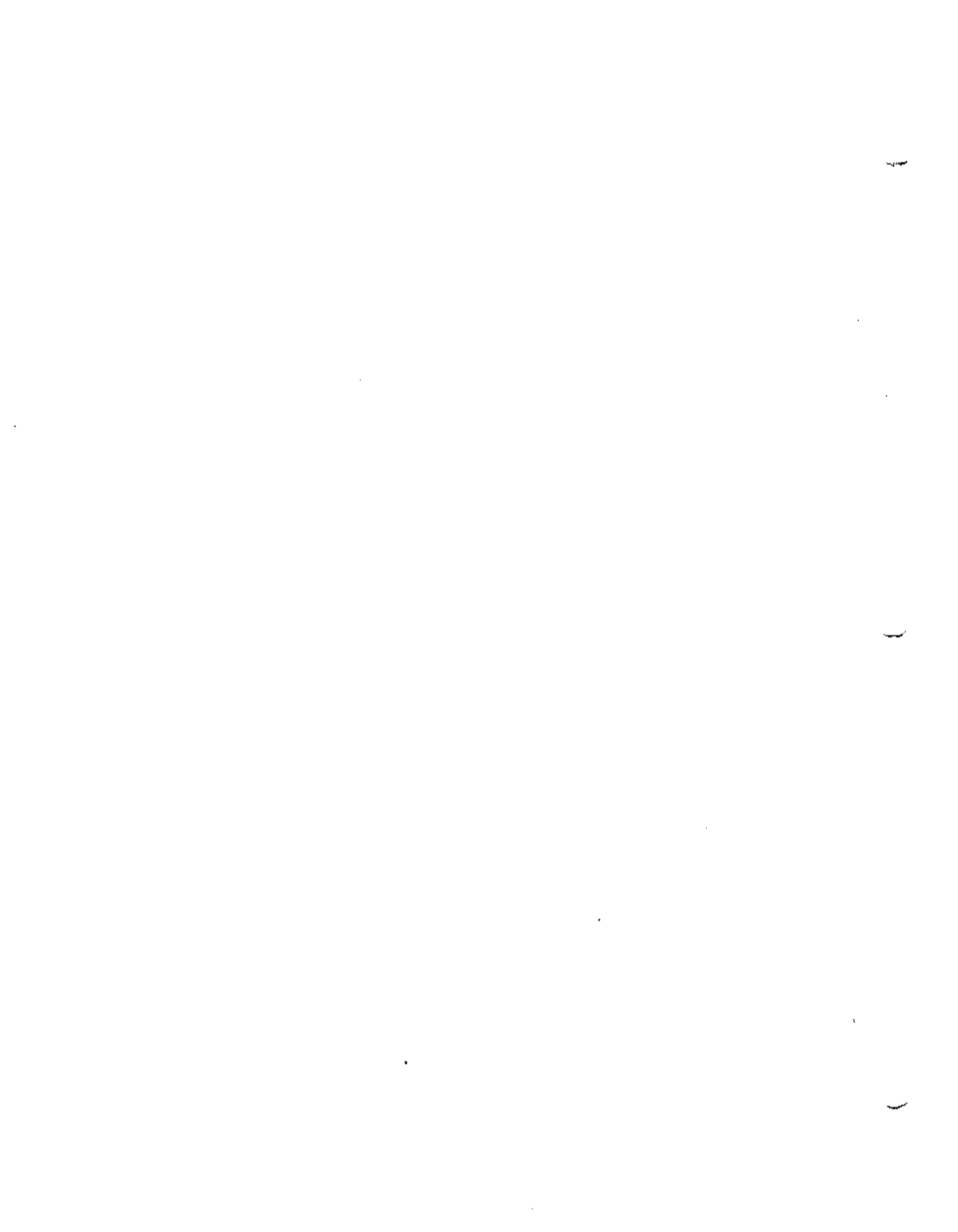
203-211



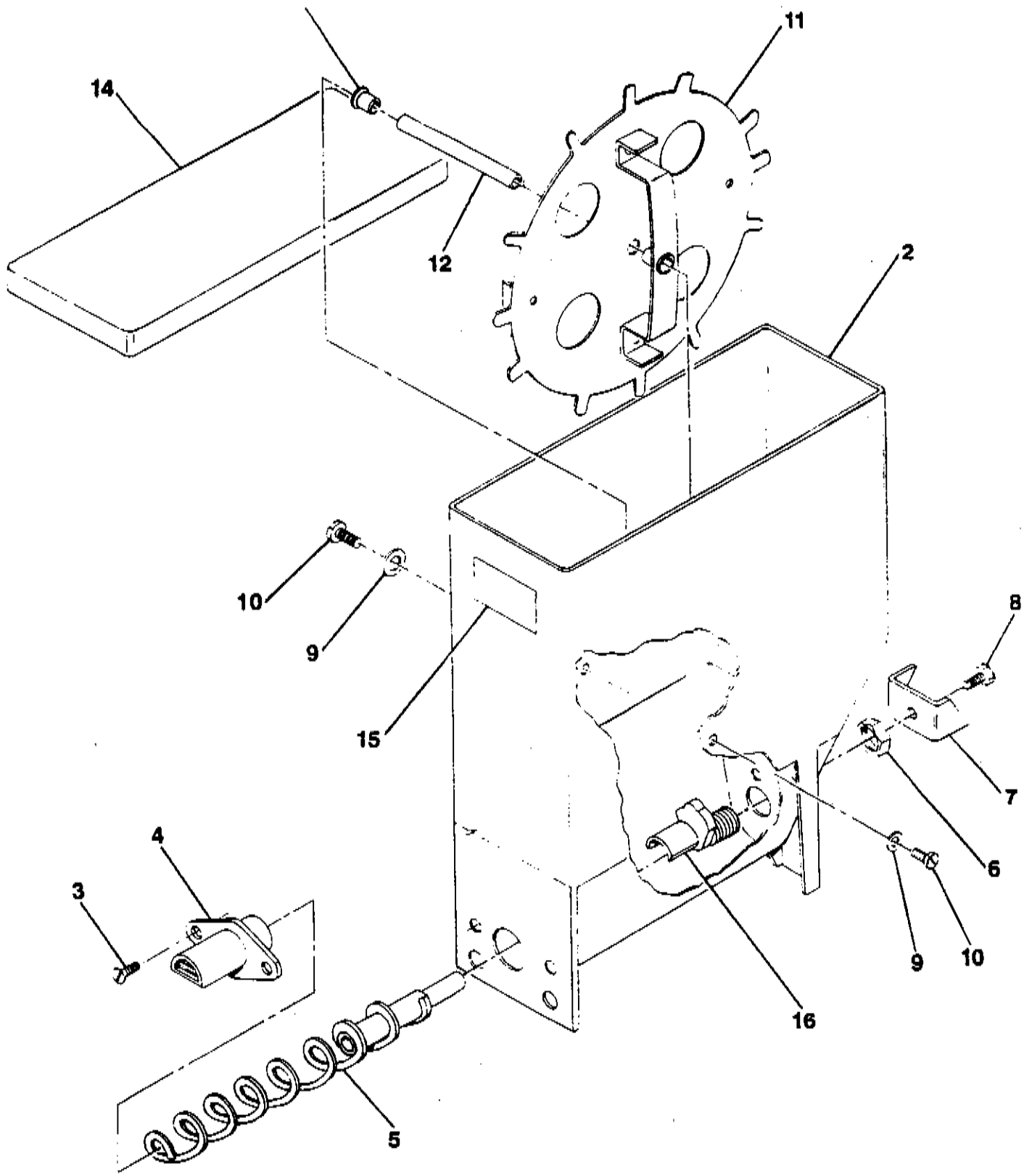


6.04B

203 - 211







6.08



CANISTER ASSEMBLY: FRESH-BREWED TEA

1. 33798 CANISTER ASM, FRESH-BREWED TEA (INCLUDES ITEMS 2-16)
2. 33797 CANISTER (ONLY), FRESH-BREWED TEA, PLASTIC
3. 08136 SCREW, 6-32 X 3/8 FH M BR
4. 14011 SPOUT, CANISTER (NO LOUVERS)
5. 14023 AUGER & SHAFT ASM,
6. 14190 NUT, 5/8 - 11, PAL
7. 25989 DRIVER, AUGER
8. 25970 SCREW, AUGER DRIVER
9. 00826 WASHER, FLAT #6, SCP
10. 00825 SCREW, 6-32 X 3/8 RH M BR
11. 14420 WHEEL ASM, COMMODITY
12. 14017 AXLE, WHEEL
13. 16058-11 NYLINER, 4L4FK
14. 06695 LID, CANISTER
15. 33079-7 DECAL, TEA
16. 14012 BEARING, REAR

34494 CHUTE COMM. 203 W/ TEA BWR.

