

**AUTOMATIC PRODUCTS international,**

**HOT BEVERAGE MERCHANDISER**

**MODEL 422 PARTS MANUAL**

**PLEASE**

**DO NOT REMOVE  
MANUAL FROM  
MACHINE**



A Higher Standard

300 Jacksonville Rd. ♦ Warminster, PA. ♦ 18974

# WARRANTY

Automatic Products international ltd. (APi) expressly warrants these automatic merchandisers (the "Unit"), manufactured by it, to be free under normal use and service from defects in material or workmanship for a period of two (2) years from the date of delivery of this Unit to the original purchaser. This warranty extends only to the original purchaser of the Unit. The exclusive remedy for this warranty is limited to the repair or replacement, at APi's sole option, of any part or parts of the Unit that are returned to APi or to the authorized dealer or distributor of APi from whom the unit was purchased with all transportation charges prepaid, and which, on APi's examination, shall, conclusively appear to have been defective. This warranty does not:

- a. extend to any Unit, or part thereof, that was subjected to misuse, neglect, or accident by other than APi after its delivery to the original purchaser;
- b. extend to any Unit, or part thereof, that was modified, altered, incorrectly wired or improperly installed by anyone other than APi or used in violation of the instructions provided by APi;
- c. extend to a Unit which has been repaired or altered by anyone other than APi or authorized dealer/distributor;
- d. extend to a Unit which has had the serial number removed, defaced or otherwise altered;
- e. extend to plastic or glass windows, lamps, fluorescent tubes and water contact parts;
- f. extend to any unit used outdoors
- g. extend to accessories used with the Unit that were manufactured by some person or entity other than APi.

**APi DISCLAIMS ALL OTHER WARRANTIES OF ANY KIND AS TO THE UNIT AND ALL WARRANTIES OF ANY KIND AS TO ANY ACCESSORIES. THIS DISCLAIMER OF WARRANTIES INCLUDES ANY EXPRESS WARRANTIES OTHER THAN THE LIMITED WARRANTY PROVIDED ABOVE AS TO THE UNIT AND ALL IMPLIED WARRANTIES OF MERCHANTABILITY AND FITNESS FOR A PARTICULAR PURPOSE AS TO THE UNIT AND ANY ACCESSORIES. UNDER NO CIRCUMSTANCES SHALL APi BE RESPONSIBLE FOR ANY INCIDENTAL, CONSEQUENTIAL OR SPECIAL DAMAGES, LOSSES OR EXPENSES ARISING FROM OR IN CONNECTION WITH THE USE OF, OR THE INABILITY TO USE, THE GOODS FOR ANY PURPOSE WHATSOEVER.** No representative of APi or any other person is authorized to assume for APi, or agree to on the behalf of APi, any other liability or warranty in connection with the sale of this Unit.

APi reserves the right to make any changes or improvements in its products without notice and without obligation, and without being required to make corresponding changes or improvements in Unit theretofore manufactured or sold.



A Higher Standard

300 Jacksonville Rd. ◆ Warminster, PA. ◆ 18974

Should you have any questions pertaining to this manual or the vendor, please contact your APi distributor or write directly to:

Technical Services Dept.  
Automatic Products int'l  
Warminster, PA. 18974 USA  
Phone 1 (215) 675-4200  
Fax 1 (215) 441-4234

© 2001 Automatic Products international, ltd

### HOW TO ORDER PARTS:

- 1) Locate the machines assembly description and page location in the table of contents.
- 2) Determine the part number(s) needed by referring to the drawing of the part. Locate the item number from the drawing and refer to the item number, part number and description.
- 3) **PLEASE NOTE:** all complete part assemblies are identified with lined arrows. Individual items are identified with a straight line.
- 4) Complete your parts order, double check part numbers and quantities. Include a call back phone number in the event there is a question regarding your order. Fax or mail your order to your authorized APi distributor or APi.
- 5) Specify how you would like your order to be shipped. If you do not specify, we will ship the most economical way. In the case of warranty replacements, we reserve the right to determine the method of shipment.



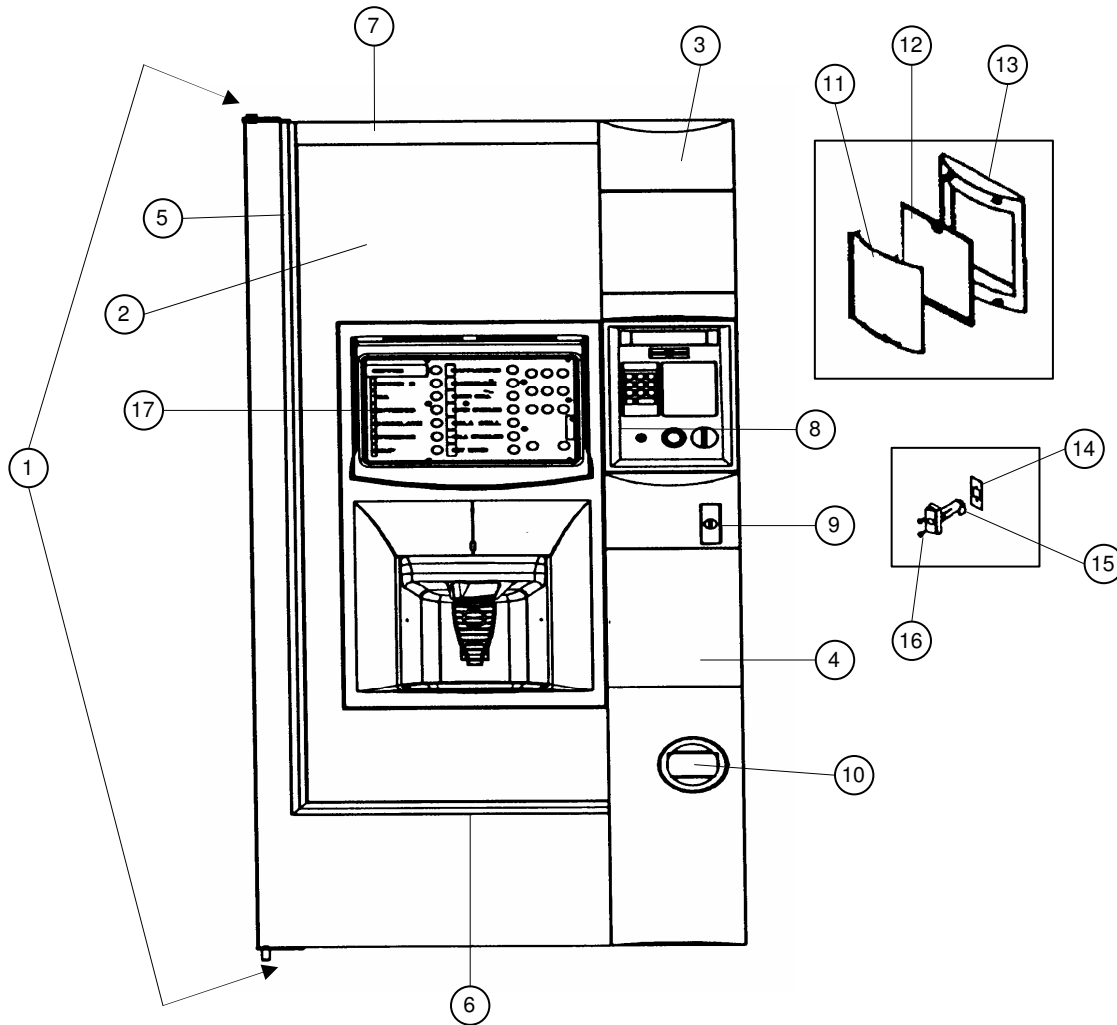
A Higher Standard

300 Jacksonville Rd. ◆ Warminster, PA. ◆ 18974

---

## table of contents

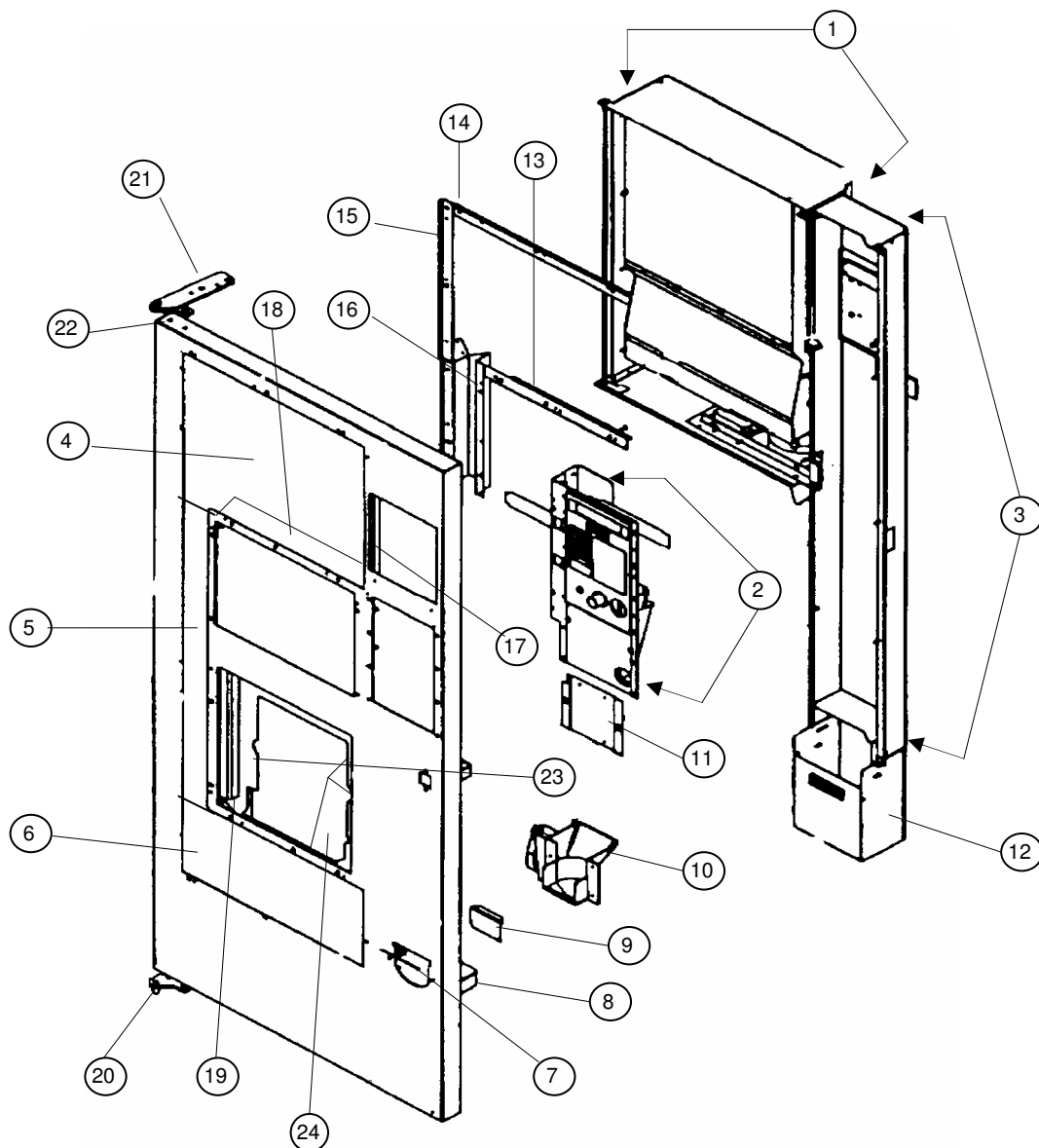
DOOR, EXTERIOR, ODYSSEY STYLE .....	100
DOOR, INTERIOR, ODYSSEY STYLE .....	101
SELECTOR PANEL / BUTTON ASSEMBLY .....	102
CUPWELL BEZEL ASSEMBLY .....	103
NUMERIC SELECTION / COIN ENTRY / DISPLAY ASSEMBLY .....	104
MMOL SERVICE PANEL / SWITCH LATCH PANEL .....	105
CUP DISPENSER ASSEMBLY .....	107
COFFEE CONTROL BOARD (CCB), HARNESSSES, AND COMPONENTS .....	109
COFFEE DRIVER BOARD (CDB), HARNESS, AND COMPONENTS .....	110
CABINET ASSEMBLY & COMPONENTS .....	201
POWER DISTRIBUTION PANEL .....	203
SPOUT ASSEMBLY .....	204
CANISTER RACK ASSEMBLY .....	301
CAINSTER ASSEMBLIES: CHOCOLATE .....	302
CAINSTER ASSEMBLIES: TOPPING, WHITENER .....	303
CANISTER ASSEMBLIES: SOUP, DECAF .....	304
CAINSTER ASSEMBLIES: SUGAR, LEMON TEA .....	305
FRESH BREW TEA BREWER ASSEMBLY .....	306
COMPLETE BREWER ASSEMBLY .....	401
BREWER BACK PANEL, FRONT CHANNEL & MAIN ASSEMBLIES .....	403
BREWER CYLINDER & PISTON ASSEMBLIES .....	404
COMPLETE BREWER BASE ASSEMBLY .....	405
HOT WATER TANK ASSEMBLY .....	501
SINGLE LOOSE GROUND SWING-OUT BRACKET ASSEMBLY .....	503
DUAL LOOSE GROUND SWING-OUT BRACKET ASSEMBLY .....	504
WATER INLET ASSEMBLIES .....	601
WATER INLET ASSEMBLY HOT & COLD WITH FILTER .....	601
WATER INLET ASSEMBLY HOT ONLY WITHOUT FILTER .....	601
WATER INLET ASSEMBLY HOT ONLY WITH FILTER .....	602
WATER INLET ASSEMBLY HOT & COLD WITHOUT FILTER .....	602



Item No.	Part No.	Description
1	26600224	ODYSSEY DOOR, COMPLETE (includes cup cabinet and service panel)
2	27409001	ARTWORK "C" SHAPE GRAPHICS
3	38355	COLUMN TOP VIEWER / POS
4	38342	COLUMN RHD BOTTOM
4a	38342-1	COLUMN RHD BOTTOM BLACK
5	38647	TRIM VERTICAL LHD
5a	38647-1	TRIM VERTICAL LHD BLACK
6	24409012	TRIM HORIZONTAL BTM
6a	24409012-1	TRIM HORIZONTAL BTM BLACK
7	24409011	TRIM HORIZONTAL TOP
7a	24409011-1	TRIM HORIZONTAL TOP BLACK
8	38527	BEZEL COIN INSERT

Item No.	Part No.	Description
8a	38527-1	BEZEL COIN INSERT BLACK
9	38332-1	LOCK ASM ODYSSEY STYLE
9a	38332-2	LOCK ASM ODYSSEY STYLE BLACK
10	38529	COIN CUP RETURN DOOR
11	38497	WINDOW POS/VIEWER
12	38499	PANEL BACK POS WINDOW
13	38498	ADAPTER POS WINDOW
14	22000190	SHIM LOCK
15	22000570	LATCH ASM ODYSSEY STYLE
16	17415	SCREW 1/4-20x1/2 HH
17		SELECTOR PANEL ASM (refer to pg. 102)

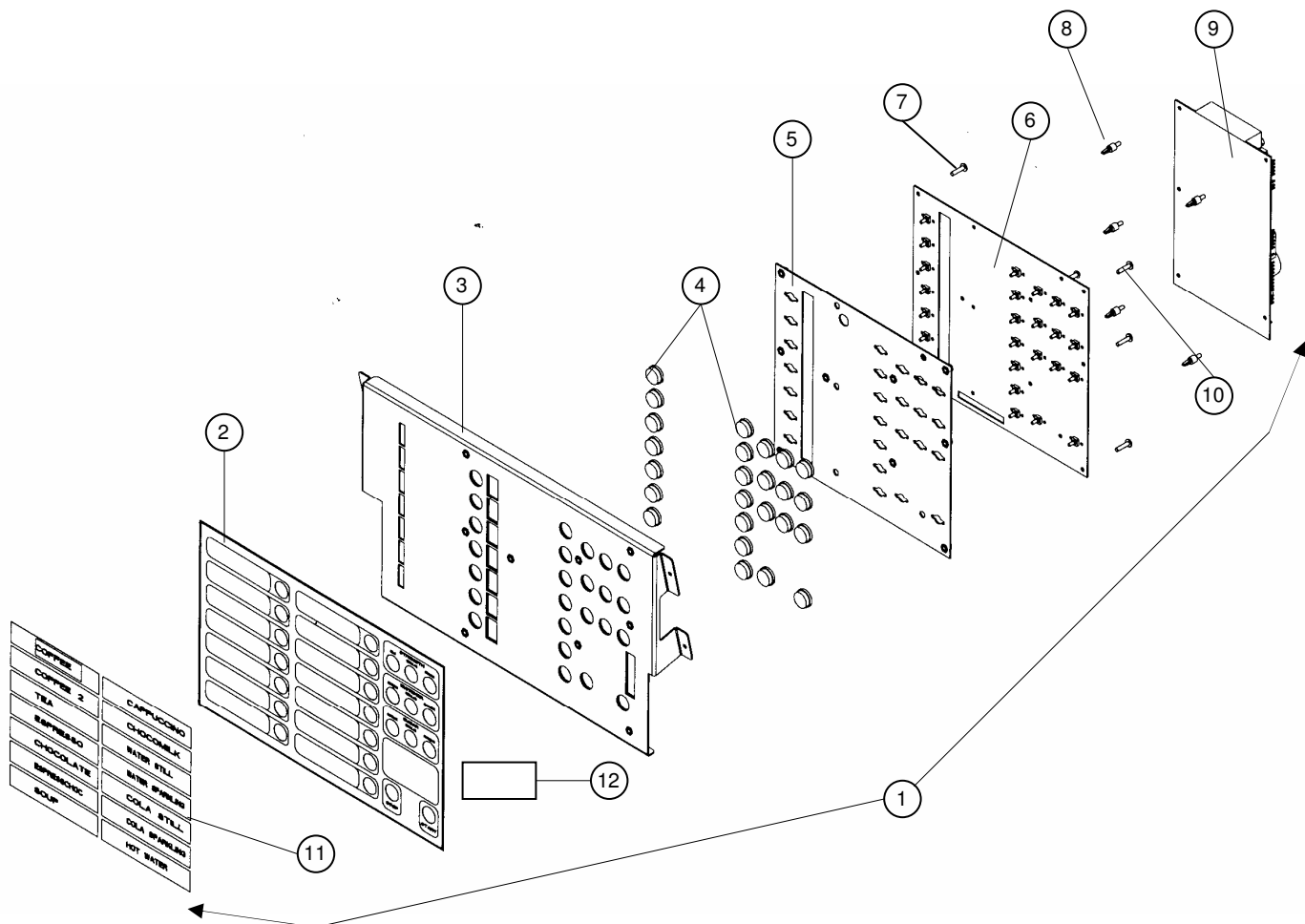
# odyssey style inner door



Item No.	Part No.	Description
1	26600226	WRAPPER ASM COMPLETE (refer to page 107-108 for individual breakdown)
2	26600227-02	MASTER MENU SELECTOR ASM (refer to page 104 for individual breakdown)
3	26600231	COVER ASM SERVICE (refer to page 105 for individual breakdown)
4	24400150	ARTWORK DIFFUSER TOP
5	24400151	ARTWORK DIFFUSER LH SIDE
6	24400152	ARTWORK DIFFUSER BTM
7	38530	AXLE COIN CUP DOOR
8	22000537	TOP CASH BOX
9	38529	DOOR, COIN RETURN
10	38528	WELL COIN RETURN
11	26400002	BRKT COIN MECH MOUNT

Item No.	Part No.	Description
12	26000105	BOX, CASH ASM
13	22000526	MOUNT GRPHC LTBX UPPER INNER
14	22000524	MOUNT GRAPHIC LTBX UPPER
15	22000525	MOUNT GRAPHIC LTBX RIGHT UPPER
16	26000191	MOUNT ASM WLD SEL PNL RHD
17	22000530	MOUNT GRAPHIC LTBX LEFT UPPER
18	24400016	DIFFUSER LIGHT SELECTION PANEL
19	26900003	BALLAST ASM
20	640157	PLATE ASM LOWER PIVOT
21	38495	UPPER DOOR HINGE ASM
22	420003-1	SCREW 1/4-20 X 1/2 FH SOCKET
23	26000130	COVER, LOWER INTERIOR DOOR
24	26000131	BRACKET ASM WLD DRIP CUP

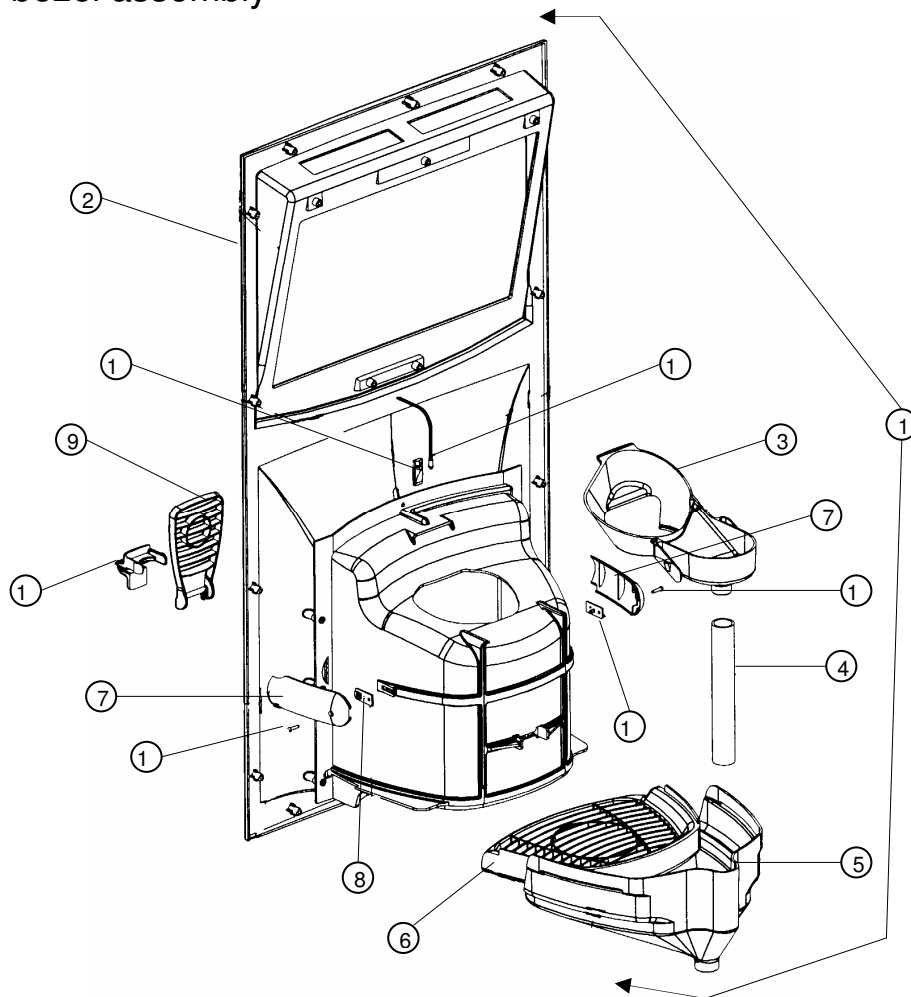
# selection panel



Item No.	Part No.	Description
1	26600228	PANEL ASM SELECTION-422 ENGLISH
1a	26600228-05	PANEL ASM SEL-422 ENGLISH BLK
1b	26600228-01	PANEL ASM SELECTION-422 DUTCH
1c	26600228-06	PANEL ASM SEL-422 DUTCH BLK
1d	26600228-04	PANEL ASM SEL-422 DUTCH/FRENCH
1e	26600228-09	PANEL ASM SEL-422 DUTCH/FR- BLK
2	27400037	PANEL OVERLAY 422-ENGLISH
2a	27400037-01	PANEL OVERLAY 422-DUTCH
2b	27400037-02	PANEL OVERLAY 422-FRENCH
2c	27400037-04	PANEL OVERLAY 422-DUTCH/FRENCH
3	26000157	PANEL ASM SELECTION FRONT 422
4	24400059	SELECTOR BUTTON
4a	24400059-1	SELECTOR BUTTON BLK
5	26000155	PANEL ASM SELECTION BACK
6	23600010	SELECTION BOARD
7	16335	SCREW 8-32 x 5/8 PH PHL MACH

Item No.	Part No.	Description
8	23100071	STAND-OFF PC BOARD
9	360274	LOGIC CONTROL BOARD
10	100Y8-10	SCREW RD HD 8-32 x 5/8 NYLON
11	27400048	SELECTION LABEL SET ENGLISH
11a	27400048-1	SELECTION LABEL SET DUTCH
11b	27400048-4	SELECTION LABEL SET DUTCH/FR
12	27400049	USER INSTRUCTION ENGLISH
12a	27400096	USER INSTRUCTION ENGLISH BLK
12b	27400049-01	USER INSTRUCTION DUTCH
12c	27400096-1	USER INSTRUCTION DUTCH BLK
12d	27400049-04	USER INSTRUCTION DUTCH/FRENCH
12e	27400096-4	USER INSTRUCTION DUTCH/FRENCH BLK
	27400084	DECAL SET PRICE UK
	27400105	DECAL SET PRICE AUTOBAR

## cupwell bezel assembly

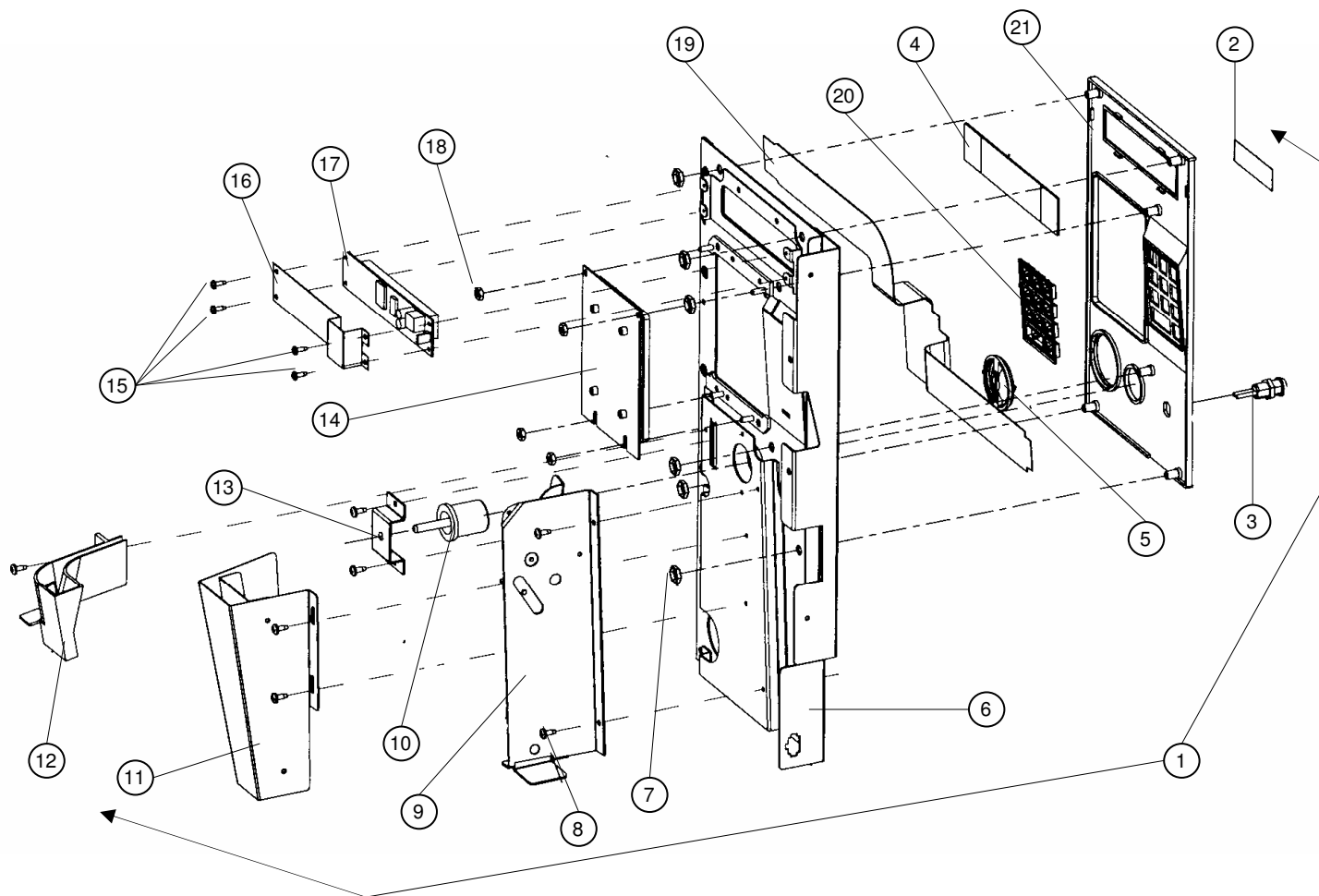


Item No.	Part No.	Description
1	26600453	CUPWELL ASM ENGLISH DARK GRAY
1a	26600453-01	CUPWELL ASM ENGLISH BLACK
1b	26600453-04	CUPWELL ASM FRENCH DARK GRAY
1c	26600453-05	CUPWELL ASM FRENCH BLACK
1d	26600453-06	CUPWELL ASM DUTCH DARK GRAY
1e	26600453-07	CUPWELL ASM DUTCH BLACK
1f	26600453-08	CUPWELL ASM DUTCH/FR DARK GRAY
1g	26600453-09	CUPWELL ASM DUTCH/FRENCH BLACK
2	26600445	CUPWELL ASM ENGLISH DRK GRAY
2a	26600445-01	CUPWELL ASM ENGLISH BLACK
2b	26600445-04	CUPWELL ASM FRENCH DARK GRAY
2c	26600445-05	CUPWELL ASM FRENCH BLACK
2d	26600445-06	CUPWELL ASM DUTCH DARK GRAY
2e	26600445-07	CUPWELL ASM DUTCH BLACK
2f	26600445-08	CUPWELL ASM DUTCH/FR DARK GRAY
2g	26600445-09	CUPWELL ASM DUTCH/FR BLACK
3	24400052	CUPWELL CATCH 422 7OZ TALL GR
3a	24400052-01	CUPWELL CATCH 422 7OZ SQUAT GR
3b	24400052-02	CUPWELL CATCH 422 7OZ TALL BLACK
3c	24400052-03	CUPWELL CATCH 422 7OZ SQUAT BLK

Item No.	Part No.	Description
4	27000010-03	TUBING, 3/4" I.D. GRAY SILICON
5	24400046	FUNNEL CUPWELL 422 DARK GRAY
5a	24400046-1	FUNNEL CUPWELL 422 BLACK
6	24400047	CUPWELL GRILL DARK GRAY
6a	24400047-1	CUPWELL GRILL BLACK
7	24400050	CUP SENSOR COVER DARK GRAY
7a	24400050-1	CUPWELL SENSOR COVER BLACK
8	360267	CUP SENSOR OPTO TRANSMITTER
9	24400049	CUP FLIP TRAY DARK GRAY
9a	24400049-1	CUP FLIP TRAY BLACK
10	24400048	CUP FLIP TRAY MOUNT DARK GRAY
10a	24400048-1	CUP FLIP TRAY MOUNT BLACK
11	38758	DRINK IN PROCESS LED INDICATOR
12	100-4-8	SCREW - RD HD MACH 4-40 x 1/2
13	360268	CUP SENSOR OPTO RECEIVER
14	24400006	LENS, BEZEL
	26800034	HARNESS CUPWELL INTERCONNECT. CONNECT POINT: HARNESS PART NUMBER 26800044



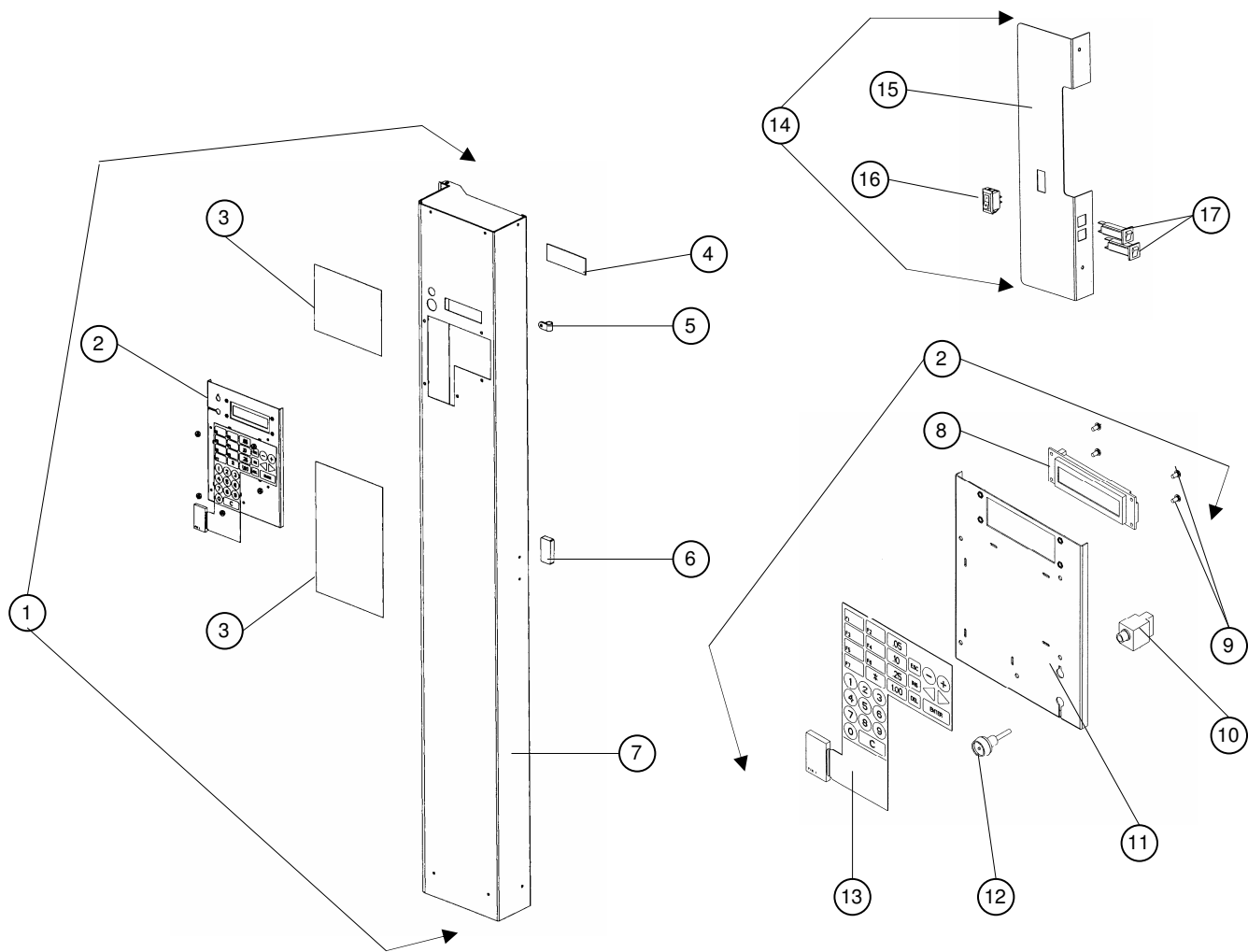
## numeric selection / coin entry / display panel



Item No.	Part No.	Description
1	26600227-02	MASTER MENU SELECTOR ASM DGRY/LGRY W/CARAFE KEY
1a	26600227-03	MASTER MENU SELECTOR ASM BLK/LGRY W/CARAFE KEY
1b	26600227-06	MASTER MENU SELECTOR ASM DGRY/LGRY WO/CARAFE KEY
1c	26600227-07	MASTER MENU SELECTOR ASM BLK/LGRY WO/CARAFE KEY
2	17400102-01	AP LOGO PLATE
3	26800091	KEY SWITCH CARAFE SMALL
4	440310	DISPLAY LENS
5	440445-5	COIN INSERT LIGHT GRAY
5a	440445	COIN INSERT DARK GRAY
6	26000162	PANEL ASM WELD CONTROL
7	18443	NUT, 1/4" SELF THREADING - PAL
8	276-8R6	SCREW 8 x 3/8 PH T-23
9	660582	RETURN ASM COIN
10	440289-5	COIN RETURN BUTTON

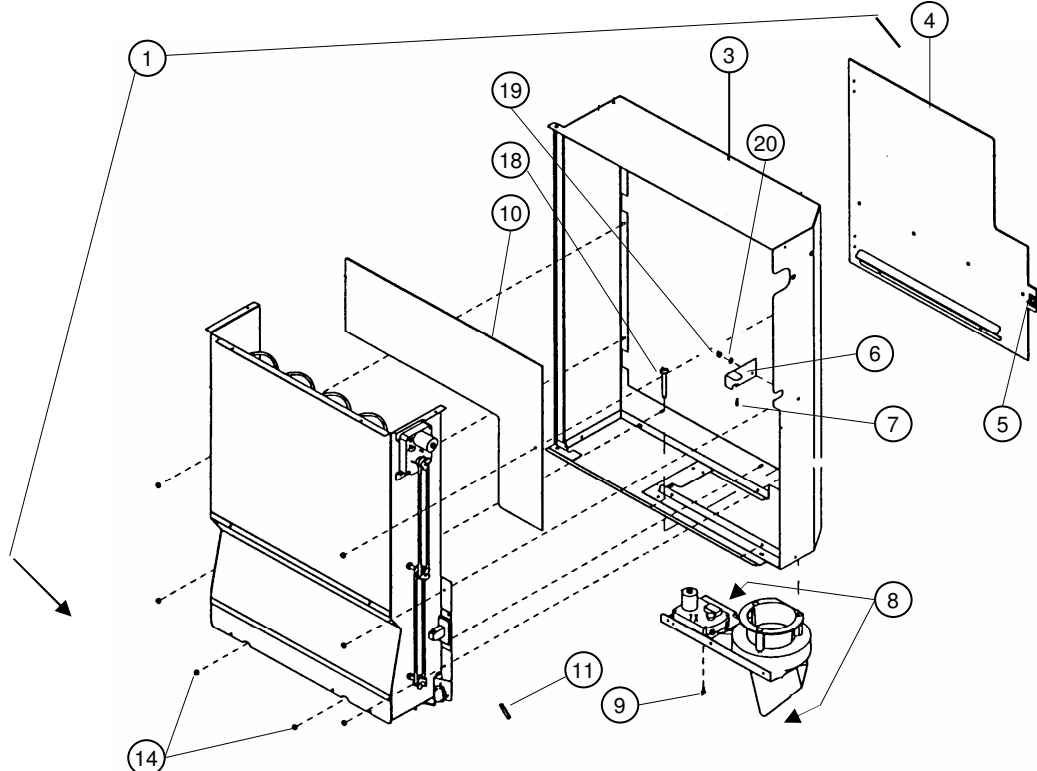
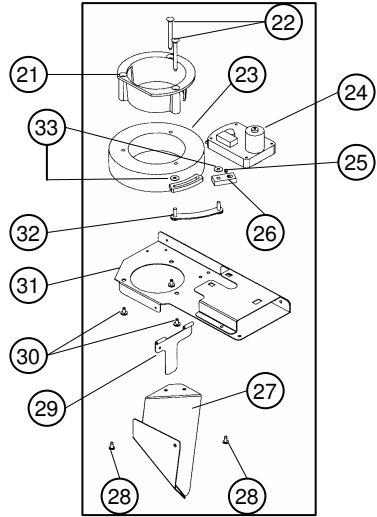
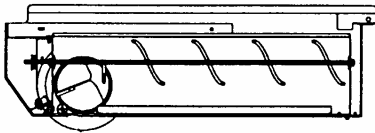
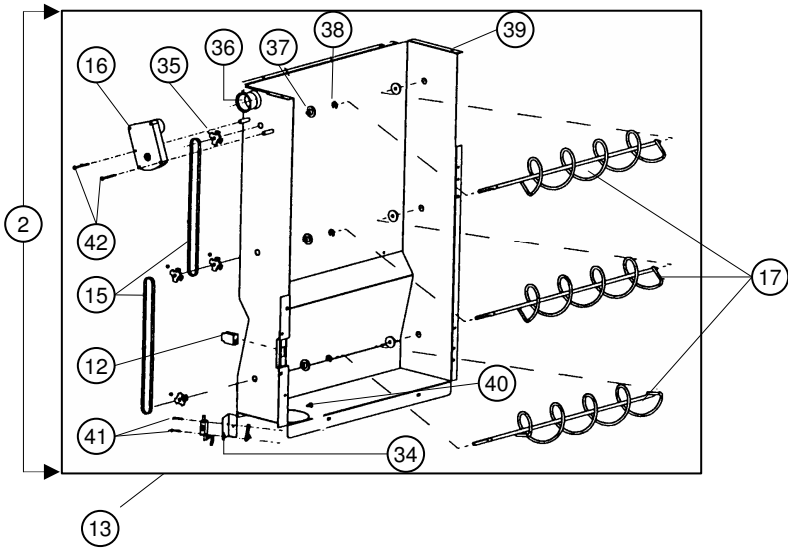
Item No.	Part No.	Description
11	26000085	CHUTE ASM WLD COIN
12	440311	COIN CHUTE
13	201660	COIN RETURN BRACKET
14	660580	VALIDATOR FILL ASSEMBLY BLK/LGRY
14a	660580-2	VALIDATOR FILL ASSEMBLY DRKGRY/LGRY
15	276-6R6	SCREW 6 x 3/8 PH
16	360256	DISPLAY BOARD INSULATION
17	360244	DISPLAY BOARD
18	438-8	8/32 KEPS NUT
19	23800012	MASTER MENU MEMBRANE
20	14400015-01	KEYPAD BRAILLE LIGHT GRAY
21	440442	BEZEL BLK/LGRY WO/CARAFE
21a	440442-2	BEZEL DGRY/LGRY- WO/CARAFE
21b	24400143	BEZEL BLK/LGRY W/CARAFE
21c	24400143-02	BEZEL DGRY/LGRY W/CARAFE

# mmol service panel / switch latch panel



Item No.	Part No.	Description
1	26600231	COVER ASM SERVICE
2	26600233	MASTER MENU SERVICE PANEL BRKT ASM
3	27400078	PROGRAMMING INSTRUCTION DECAL
4	24400076	LENS, LCD PROTECTOR
5	17588	P - CLAMP
6	420400	SWING PANEL MAGNET
7	26000106	COVER COIN MECH ASM WELD
8	23600005	LCD DISPLAY BOARD
9	116-6R4	SCREW 6/32 x .25 PH

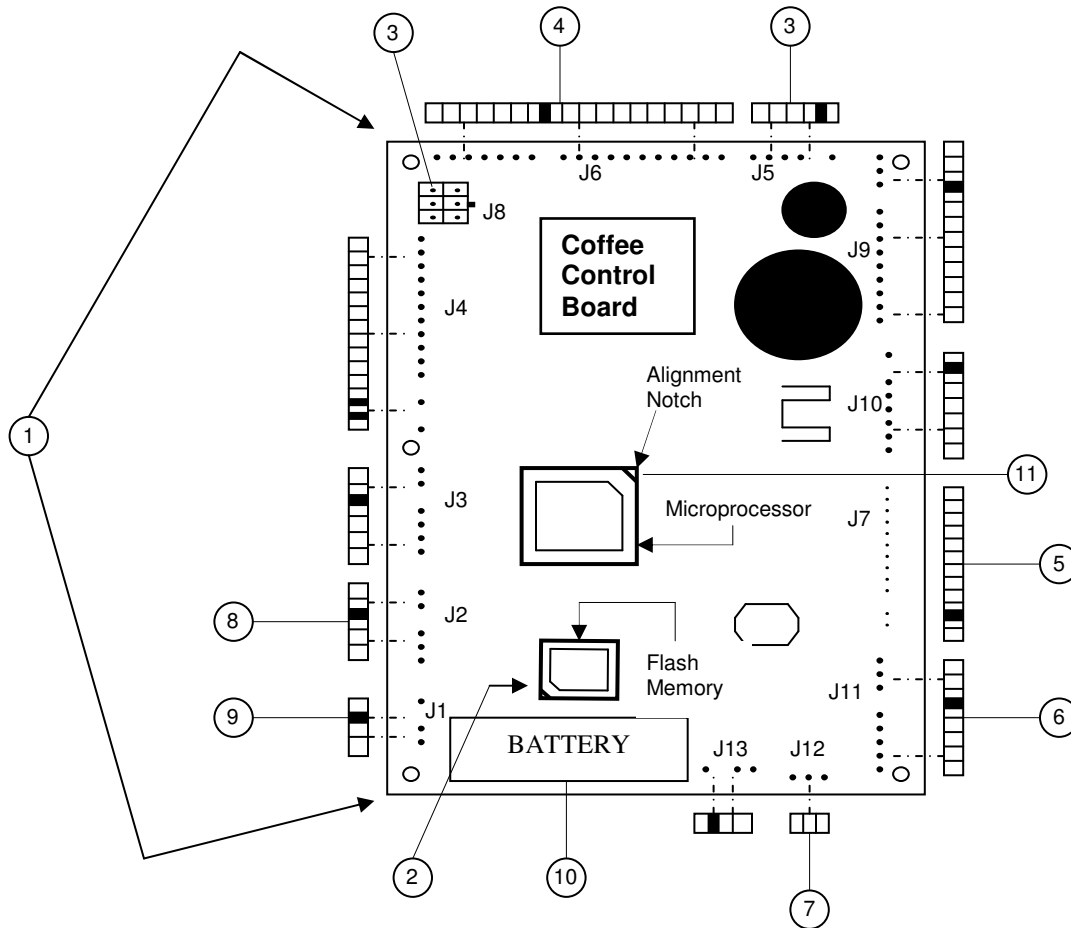
Item No.	Part No.	Description
10	16800044	DEX/UCS HARNESS
11	26000192	BRACKET WELD LCD PANEL
12	16800013	TOUCH MEMORY UNIT SOCKET & HARNESS
13	23800011	MASTER MENU KEYPAD MEMBRANE
14	26600232	BREAKER / FREE VEND SWITCH PANEL ASM
15	22000639	PLATE BRKT
16	23800007	FREE VEND SWITCH
17	380241	3 AMP CIRCUIT BREAKER



cup dispenser

Item No.	Part No.	Description
1	26600226	WRAPPER ASM COMPLETE
2	26600302	WRAPPER ASM CUP INNER COMP
3	26000104	WRAPPER ASM WELD OUTER
4	26600395	CLEAR DOOR ASM
5	24400063-02	TOUCH LATCH
6	22000577	LATCH CUP WRAPPER
7	14435	SPRING, LATCH
8	26600225	CUP DROP ASM COMP - TALL
8a	26600225-01	CUP DROP ASM COMP – SQUAT
8b	26600225-02	CUP DROP ASM COMP – 9oz SQUAT
9	276-8R6	SCREW 8 x 3/8 PH T-23
10	24400065	CLEAR UPPER DOOR, WRAPPER
11	23000004	PLATE TAP SOLDOUT SWITCH
12	24400063-01	TOUCH LATCH BASE
13	23800008	SWITCH CUP DISP SOLD OUT
14	11749	NUT 8/32 KEP
15	13795	SPIRAL DRIVE BELT 22"
16	26700027	MOTOR 24V SPIRAL 422
17	24000019	SPIRAL CUP DISP
18	217-12R40	SCREW 12 X 2 1/2 PH PHL TYPE B
19	21042	NUT 8/32 STOP
20	00961	WASHER FLAT #8
21	24400077	THROAT CUP DISP
22	203-12R40	SCREW 12 X 2 1/2 FH PHL TYPE B
23	20108	CUP RING 7oz (7C) TALL
23a	26600410	CUP RING 7oz (7H) SQUAT
24	26700030	CUP DROP MOTOR 24 VDC
25	03272	SCREW 8/32 x 3/16 NYLOCK SET
26	23200005	ARM, CUP DROP MOTOR
27	26000190	CUP DROP CHUTE ASM WELD
27a	26000247	CHUTE ASM WELD CUP 9OZ
28	276-8R6	SCREW 8 x 3/8 PH
29	22000698	FLAPPER CUP DROP ASM
30	37331	SCREW 12 x 3/8 PH PHL
31	26000129	BASE, CUP DROP ASM WELD
32	16657	CUP DROP LINKAGE ARM
33	04112	NUT 3/16 PUSH ON
34	22000584	MOUNTING PLATE CUP SWITCH WRPR
35	12493	PULLEY ASM CUP FEED w/ SET SCREW
36	24400185	CAP MOTOR WRAPPER SPIRAL
37	24400071	BUSHING SPIRAL CUP DISP
38	751-25	RETAINING RING 1/4"
39	26000173	WRAPPER INNER ASM WLD
40	23100115	SCREW 8-32X3/8 PH PHL T23 ZP
41	100-4-10	SCREW 4-40 X 5/8 RD HD MACH
42	276-6R24	SCREW 6-32 1.5 PH PHL T23

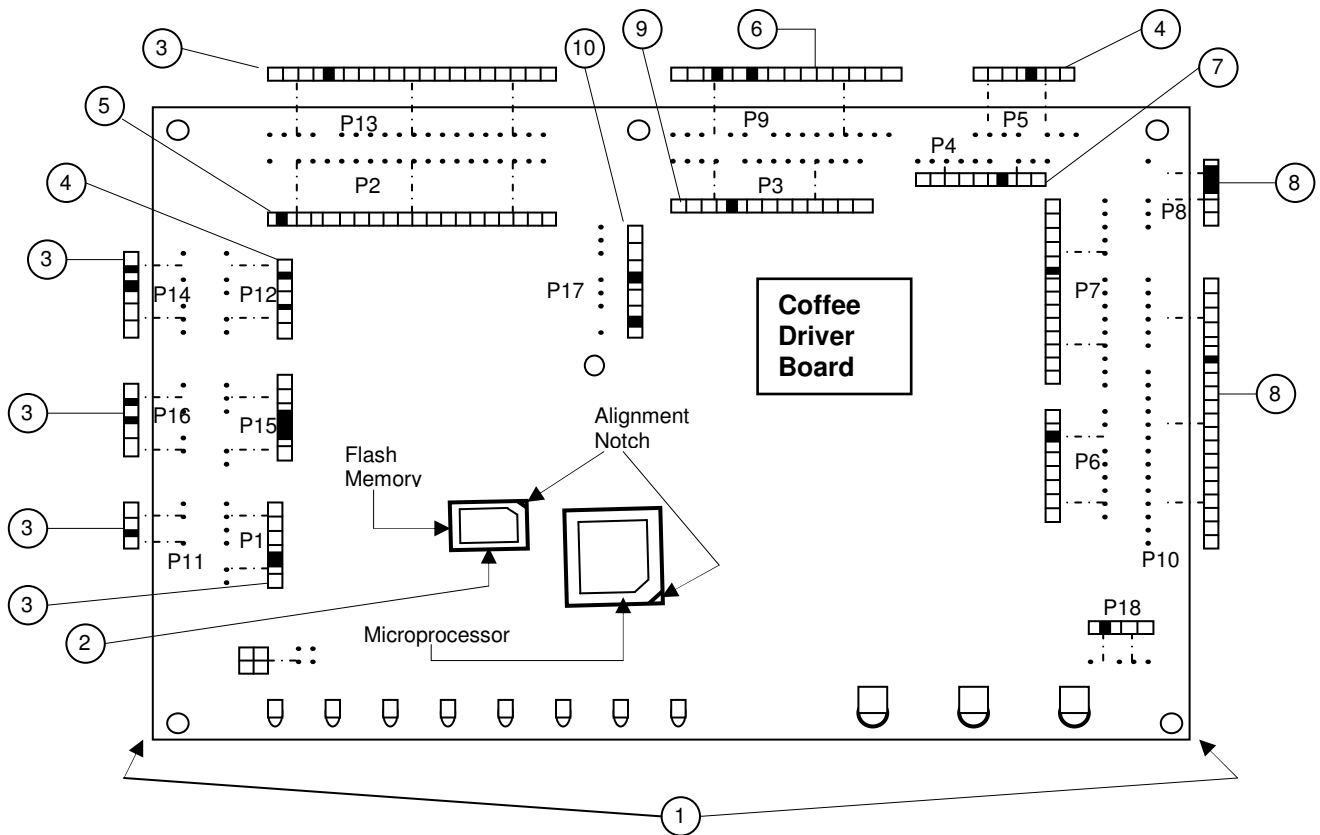
## coffee control board (CCB), harnesses, and components



Item No.	Part No.	Description
1	360274	COFFEE CONTROL BOARD SPECIFY SOFTWARE REVISION
2	23700001	COFFEE CONTROL BOARD FLASH CHIP SPECIFY SOFTWARE REVISION
3	26800044	HARNESS CONNECTION POINT ON CCB J8 & J5 MDB CONNECTOR. CONNECTS TO CDB P1, P11, P16, P13 & P14.
4	26800068	HARNESS COFFEE TO EXPANDER
4a	27500031	KIT, EXPANDER ADD ON
5	23800012	HARNESS SELECTION SWITCH EXTENSION CONNECTION POINT ON CCB J7

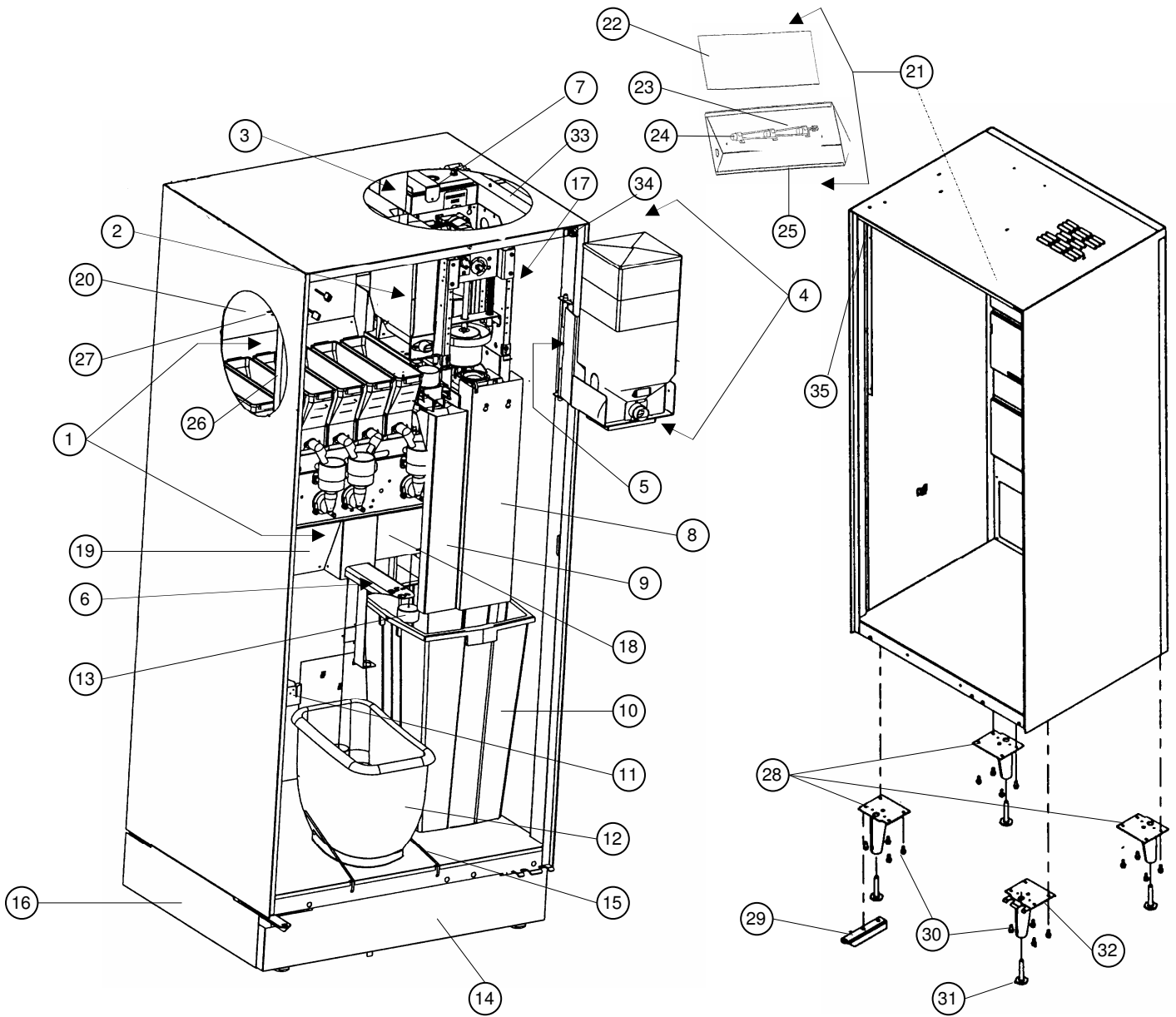
Item No.	Part No.	Description
6	26800065	HARNESS LCB TO SEL PANEL CONNECTION POINT ON CCB J11
7	26800066	HARNESS TO DISPLAY BOARD ON DOOR AND SERVICE PANEL. CONNECTION POINT ON CCB J12
8	16800044	HARNESS DEX/UCS PANEL MOUNT
9	16800013	HARNESS TOUCH MEMORY
10	360308	BATTERY, 3.6 V LITHIUM w/ HARNESS
11	360272	MICROPROCESSOR

# coffee driver board (CDB), harness, and components



Item No.	Part No.	Description
1	38772	COFFEE DRIVER BOARD (CDB) SPECIFY SOFTWARE REVISION
2	23700002	COFFEE CONTROL BOARD FLASH CHIP SPECIFY SOFTWARE REVISION
3	26800044	HARNESS CONNECTION POINT ON CDB P1, P11, P16, P13, & P14. ROUTES TO J8 & J5 ON CCB, CUP DROP, CUPWELL LIGHT, & CUP SENSOR.
4	26800042	HARNESS CONNECTION POINT ON CDB P12 & P5. ROUTES 24VDC TO PWR WTR-IN FLOATS, EXHAUST FAN, & SPOUT.
5	26800038	HARNESS CONNECTION POINT ON CDB P2. ROUTES TO CANISTER RACK.

Item No.	Part No.	Description
6	26800041	HARNESS CONNECTION POINT ON CDB P9. ROUTES TO WATER TANK VALVES.
7	26800043	HARNESS CONNECTION POINT ON CDB P4. ROUTES TO COFFEE REWER
8	26800046	HARNESS CONNECTION POINT ON CDB P8 & P10. ROUTES TO OVER-TEMP / FLOW SENSOR TUBE & WATER TANK PROBE
9	26800069	HARNESS CARBONATOR CONTROL & SWING-OUT. CONNECTION POINT ON CDB P3
10	26800071	HARN, 24V POWER. CONNECTION POINT ON CDB P17

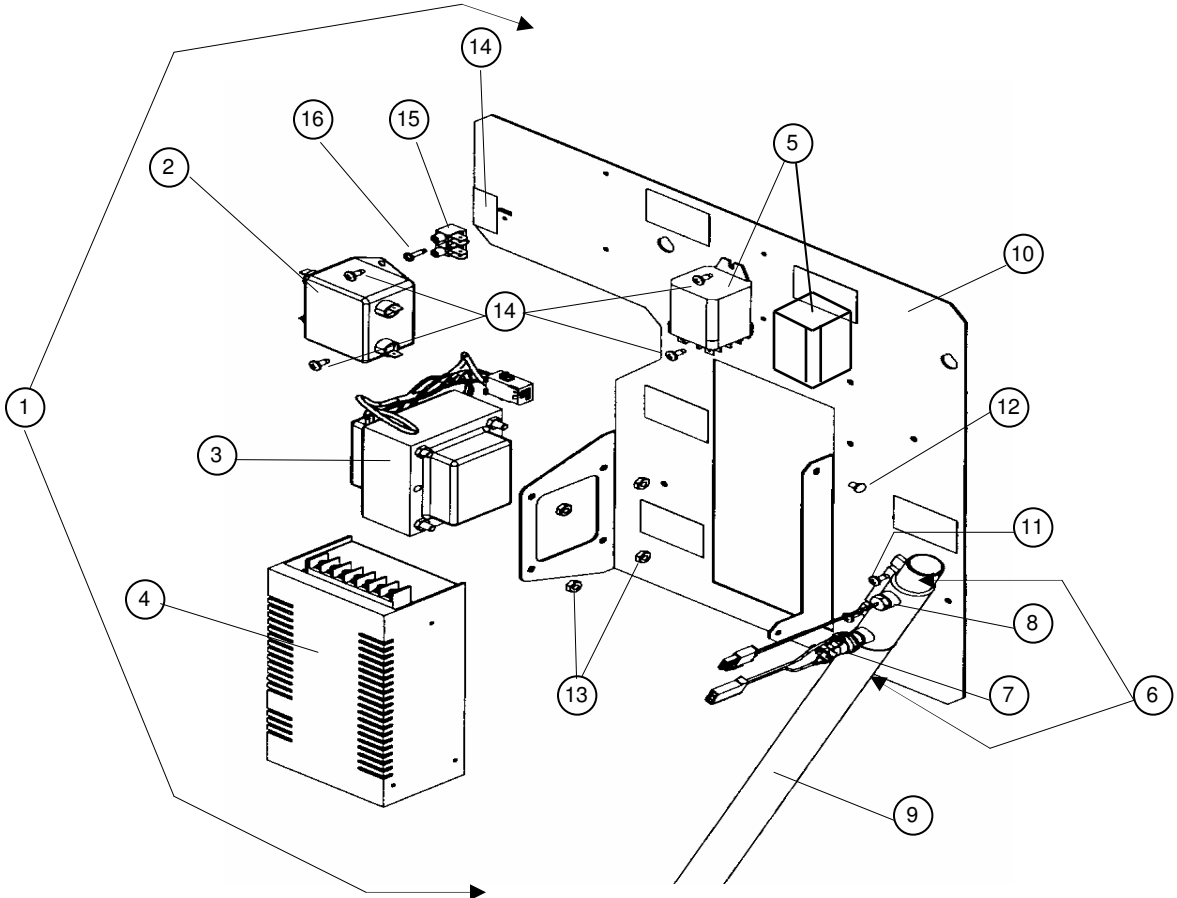


cabinet asm

Item No.	Part No.	Description
1		CANISTER RACK ASM's – Pgs 301-305
2		FRESH BREW TEA ASM – Pg 306
3		HOT WATER TANK ASM – Pgs 501-502
4		SWING-OUT BRACKET ASM's – Pgs 503-504
5	22000509	SWING-OUT MOUNTING HINGE BRACKET
6		MOTORIZED SPOUT ASM's – Pg 204
7	26000139	HOT WATER TANK HOLDING BRACKET
8	22000605	BREWER SPLASH GUARD
9	26000159	FRESH BREW TEA SPENT GRNDS CHUTE
10	30684	BUCKET, OVERFLOW, GROUNDS, BROWN
10a	22000734	BRACKET GRNDS BUCKET STRIP
11	38537	STRAP COOLER HOLDING
12	37757	BUCKET, OVERFLOW, WASTE, BROWN
13		GROUNDS BUCKET FLOAT ASM REFER TO CANISTER RACK – Pg 301
14	25000150	KICKPLATE FRONT OPT
15	24000018	SUPPORT WATER WASTE BUCKET
16	25000151	KICKPLATE FRONT AND SIDE OPT
17		BREWER ASM Pgs – 401-405
18	22000652	COVER CANISTER RACK LOWER RIGHT
19	22000651	COVER CANISTER RACK LOWER LEFT
20	26600368	COVER ASM CAN MOTORS & POWER DIST
21	26600189	LAMP ASM SERVICE
22	24400058	LENS SERVICE LAMP
23	26800048	HARNESS SERVICE LAMP
24	26900005	LAMP INCANDESCENT 7.2W 24 VOLT
25	22000220	BOX SERVICE LAMP
26	22000591	COVER LHD CAB DR WIRING
27	22000692	HANGER BRACKET RINSE HOSE
28	600195	LEG ASM WELD
29	22000626	BRACKET HINGE LOWER
30	420187	SCREW 5/16 X 3/4 HEX HD NYLOCK
31	300103	BOLT LEG LEVELER
32	600197	LEG ASM WLD FRONT LOCK SIDE
33	22000600	COVER UPPER RH HARN CAB
34	33476	SWITCH PNL INTRPT w/ BARRIER
34a	33645	KEY FOR SWITCH 33476
35	22000592	COVER LEFT UPPER DOOR WIRING HARNESS
	22001148	EXPANDER HARNESS COVER
	14400016	EXPANDER HARNESS MOUNTING PLATE
	26000357	TEA BREWER RINSE TRAY
	22001100	BRACKET MACHINE SPACER
	26700032	EXHAUST FAN



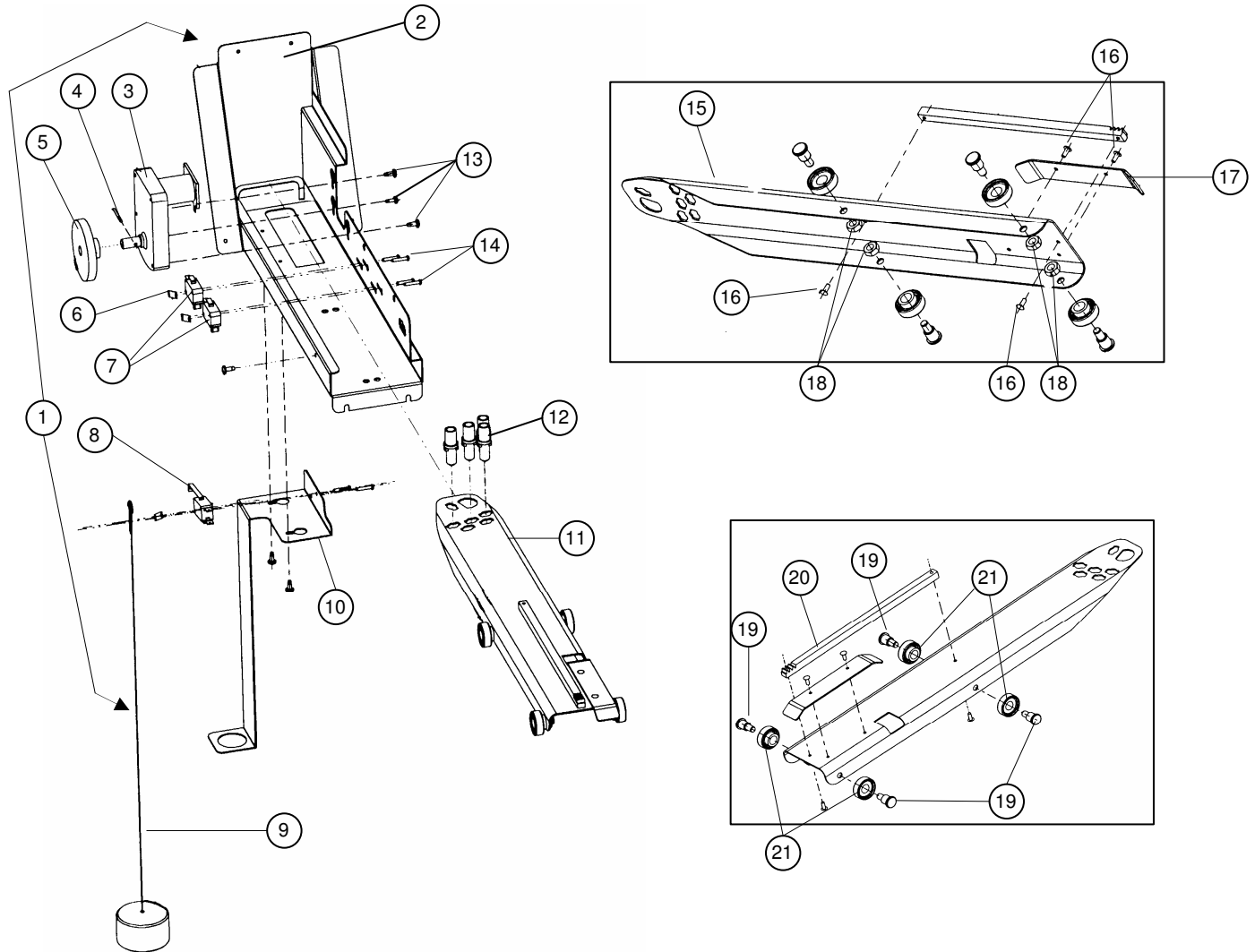
power distribution panel



Item No.	Part No.	Description
1	26600177	POWER SUPPLY PANEL ASM, OMP.
2	29003	EMI FILTER
3	23900003	230 VLT TRANSFORMER
4	38773	POWER SUPPLY, 24VDC 10A
5	26700016	RELAY, HEATER 16AMP
6	26600123	THERMOSTAT ASM OVERTEMP
7		RESETTABLE OVERTEMP THERMOSTAT
8		ELECTRONICAL OVERTEMP THERMOSTAT
9	27000010-04	TUBING, 3/4" ID GRAY SILICON
10	22000215	PLATE MTG ELECTRICAL
11	276-8R8	SCREW 8 x 1/2 PH

Item No.	Part No.	Description
12	23100063	SCREW MACH M4-0.7 x 6 PAN HD
13	404-8	HEX NUT 8/32
14	440065	NYLAR INSULATION
15	380285	TERMINAL BLOCK
16	276-6R8	SCREW 6 x 1/2 PH T-23
	26800036	HARNESS TO EMI FILTER & INTERLOCK POWER SWITCH
	26800087	HARNESS BLEEDER RESISTOR. CONNECTION POINT: ACROSS THE EMI FILTER.
	26800064	HARNESS TERM BLOCK TO FILTER
	26800090	RELAY HARNESS
	26800062	HEATER HARNESS
	26800046	OVERTEMP/FLOW HARNESS

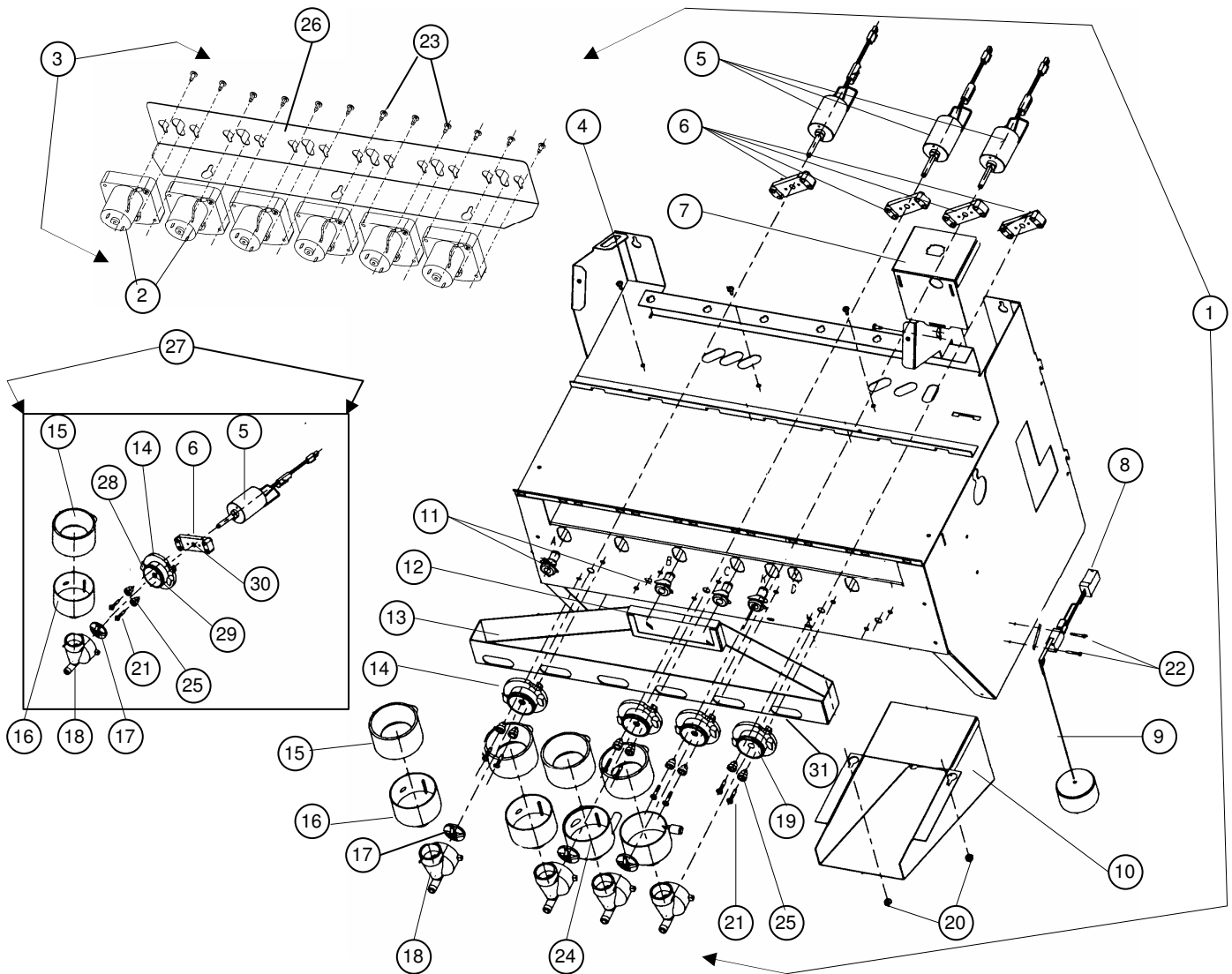
# spout assembly



Item No.	Part No.	Description
1	26600238	MOVING SPOUT ASM COMPLETE
2	26000138	BRACKET ASM WELD, MOVING SPOUT
3	26700028	MOTOR 24VDC SPOUT
4	13100002	SHEAR PIN 3/32 x 1"
5	24400078	GEAR MOVING SPOUT
6	32740	TWIN SPEED NUT, 4-40 SWITCH MOUNT.
7	380306	SPOUT STOP SWITCH
8	380273	SWITCH OVERFLOW, WASTE BUCKET
9	34106-2	FLOAT ASM RED w/LEAD
10	22000653	BRACKET FLOAT SWITCH
11	26600239	ARM, MOVING SPOUT

Item No.	Part No.	Description
12	24400069	NOZZLE LARGE DISPENSE SPOUT
12a	24400069-01	NOZZLE, DISPENSE SPOUT
13	276-8R6	SCREW 8 x 3/8 PH
14	100-4-10	SCREW RD HD MACH 4-40 x 5/8
15	22000655	SPOUT ARM
16	820-A43	RIVET OPEN END DOMED
17	22000654	SLIDE, SWITCHES MOVING SPT
18	437-41	NUT 1/4-28 KEP
19	300137	SHELF ROLLER SCREW
20	24400079	RACK GEAR MOVING SPOUT
21	440277	SHELF ROLLER

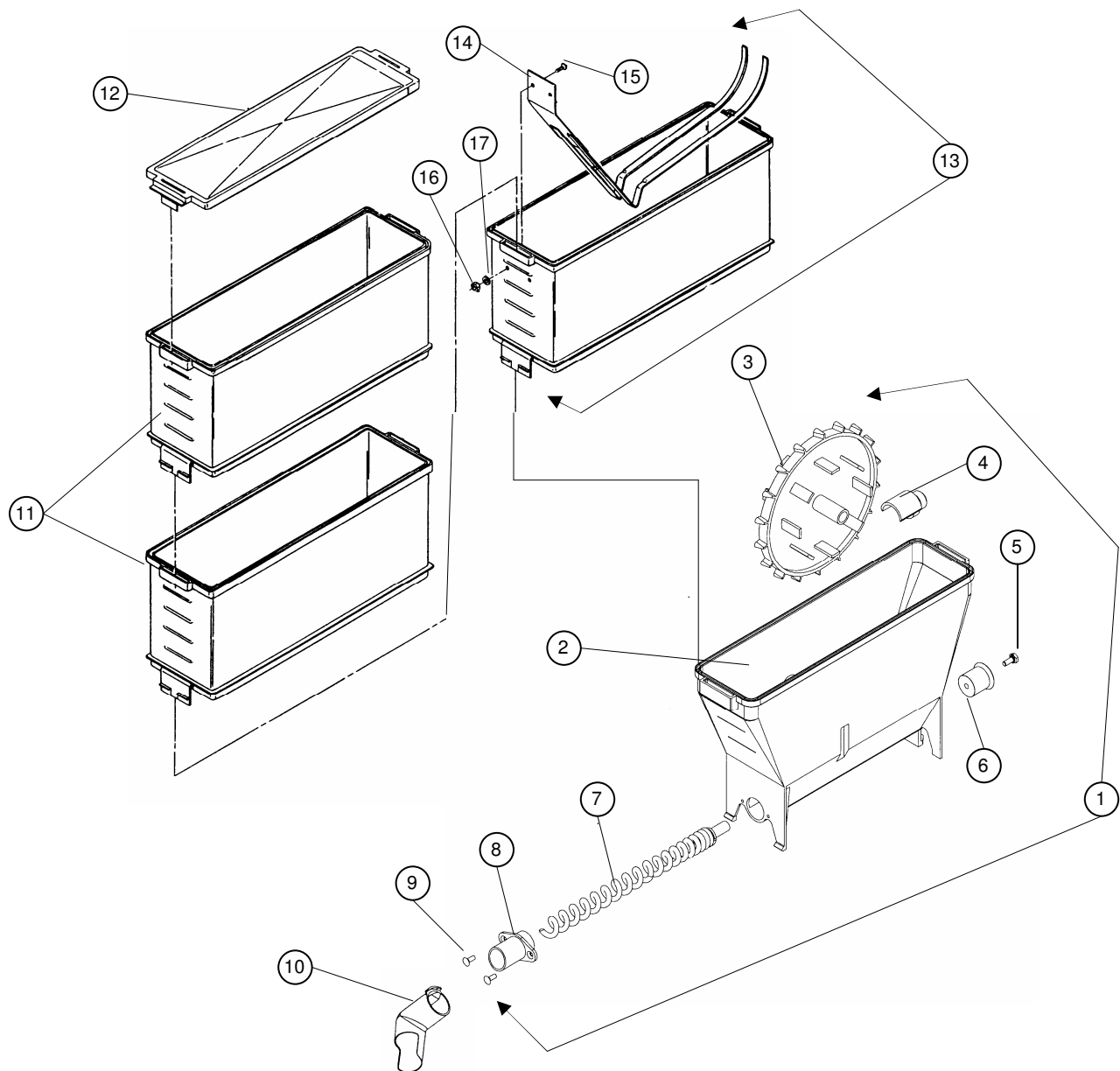
# canister rack assembly



Item No.	Part No.	Description
1	26600322	CANISTER RACK ASM TYPE 1
2	26600016	MOTOR 180 RPM
3	26600213	MOTOR BRACKET ASM
4	26000120	CANISTER RACK ASM WELD
5	26700025	MOTOR, WHIPPER 24VDC
6	24400103	BRACKET MTG. WHIPPER MOTOR
7	22000680	BRACKET MTG. TEA BREWER
8	26800072	OVERFLOW SWITCH
9	34106-5	FLOAT ASM RED w/LEAD
10	26000202	DUCT ASM REAR EXHAUST
11	24400088	ADAPTOR, PIPE, OUTLET
12	24400147	MESH FILTER SCREEN
13	26000201	EXHAUST BOX
14	24400211	BASE, WHIPPER
15	24400072-01	WHIPPER FUNNEL COVER
16	24400075	WHIPPER MIXING BOWL
17	24400121	WHIPPER IMPELLER (BLADE)
18	24400074	WHIPPER MIXING CHAMBER

Item No.	Part No.	Description
19	24400101	BASE, WHIPPER SOLID
20	11749	NUT 8/32 KEP
21	218-8R12	SCREW 8x 3/4 HI-LO PH
22	21193	SCREW 4-40 x 3/4 RH
23	23100115	SCREW 8 x 3/8 PH
24	24400144	WHIPPER MIXING BOWL (RIGHT SIDE WATER ENTRY)
25	24400091	WHIPPER BASE ATTACHMENT RING
26	22000636	AUGER MOTOR SUPPORT BRACKET
27	27500036	WHIPPER ASM KIT
28	24400201	"O"RING, WHIPPER BASE
29	24400212	WHIPPER BASE SEAL
30	24400104	RING SWING WHIPPER MOTOR
31	24400197	STEAM GROMMET
	26800039	CANISTER RACK HARNESS

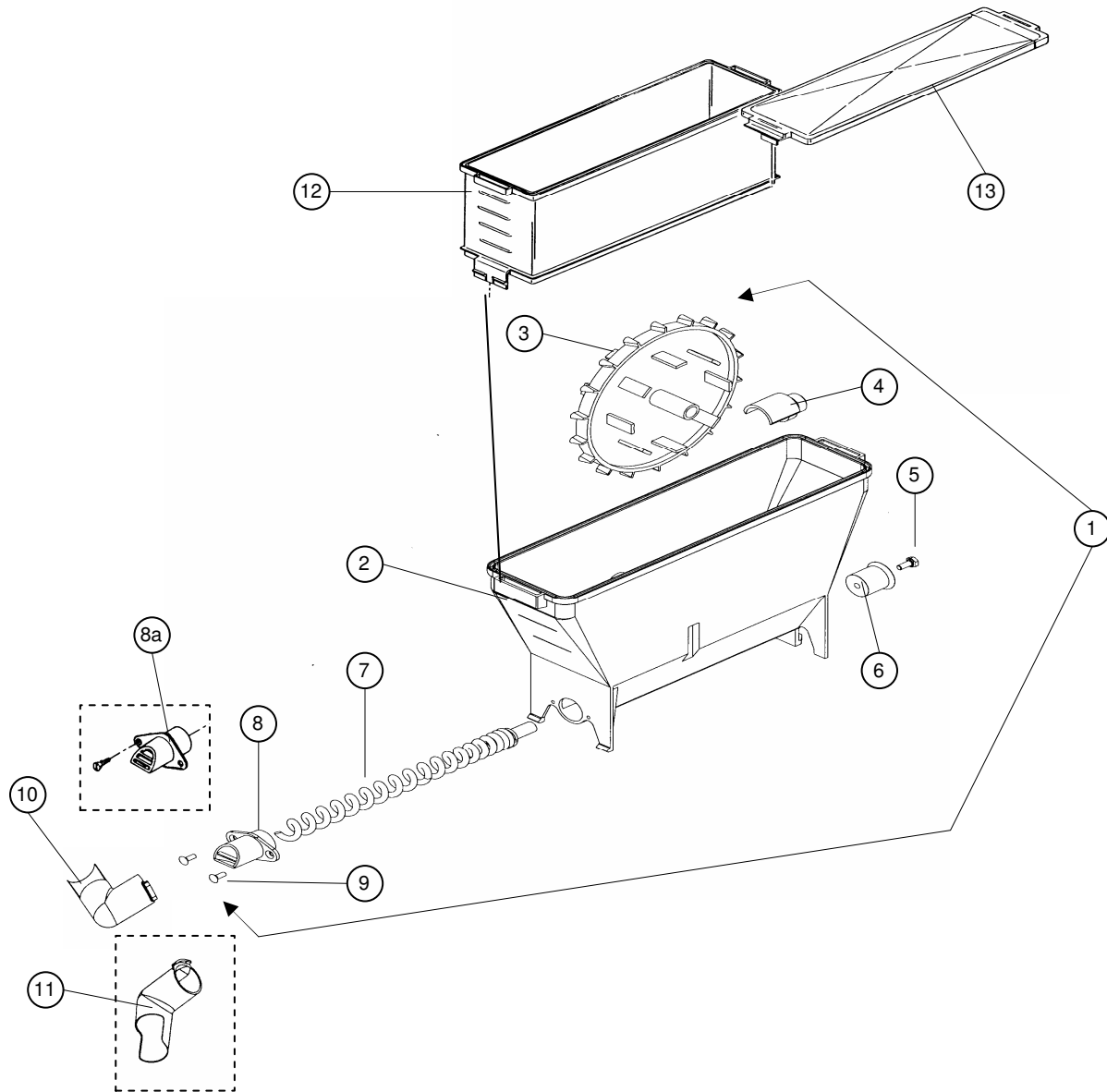
## canister assemblies: chocolate



Item No.	Part No.	Description
1	26600373	CANISTER ASM COMP. CHOC/TOPP/ WHT
2	20288	CANISTER BOTTOM BASIC
3	20311	CANISTER COMMODITY WHEEL
4	20263	CANISTER REAR BEARING
5	25970	SCREW, AUGER DRIVE 8/32 x 3/8 HH
6	36285	SOCKET DRIVE CANISTER MOTOR
7	20645-2	AUGER, COMMODITY ASM
8	30157	SPOUT CANISTER w/ 1 LOUVER
9	25970	SCREW, 6/32 x 1/4 FH PHIL

Item No.	Part No.	Description
10	24400112	SPOUT FUNNEL LEFT HAND
11	20290	CANISTER EXTENSION
12	20647	CANISTER COVER
13	23711	CANISTER EXTENSION w/ AGITATOR
14	23747	AGITATOR
15	24529	SCREW, 6/32 x 5/16
16	19927	NUT, 6/32 LK NY INSERT
17	00826	WASHER, FLAT #6, PL

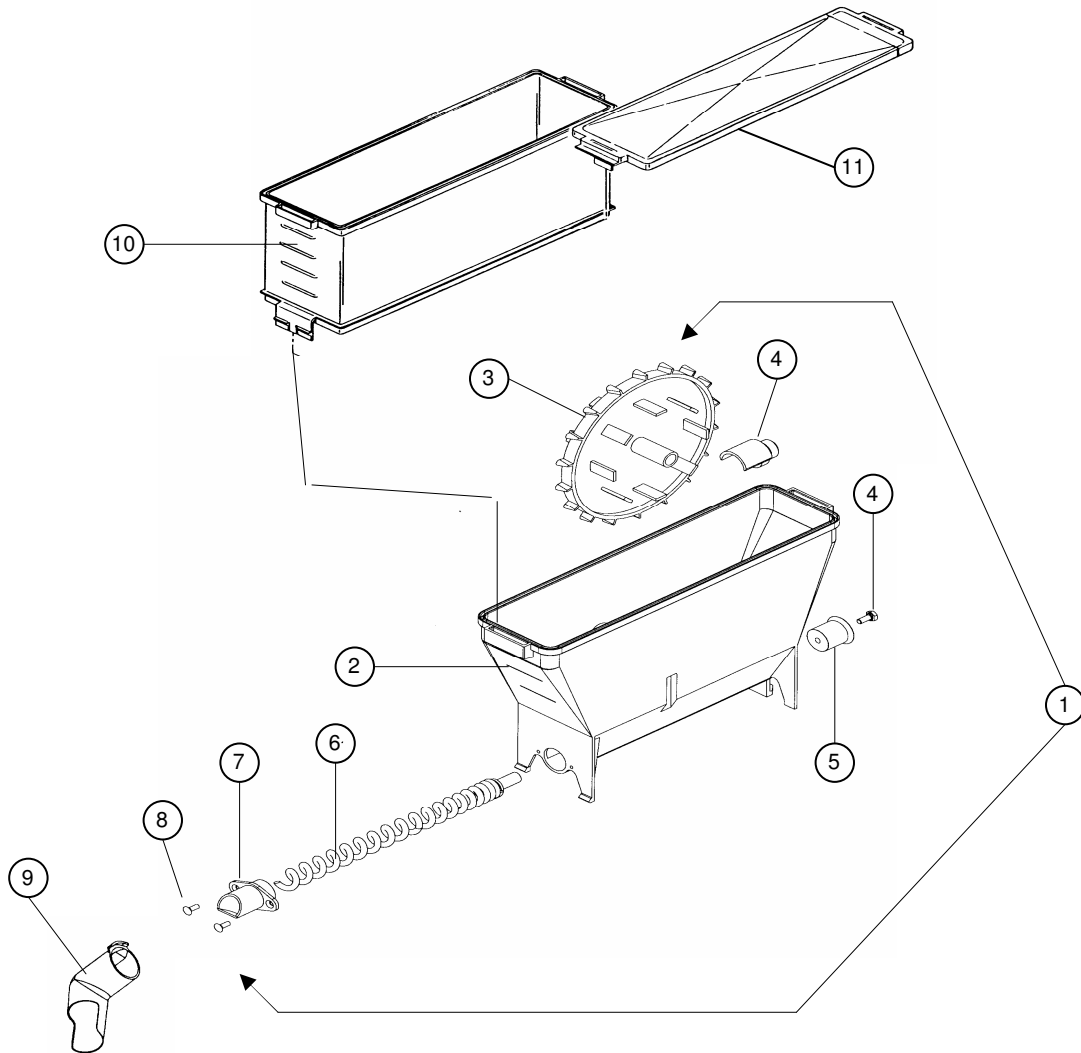
canister assemblies: topping, whitener



Item No.	Part No.	Description
1	26600372	CANISTER ASM COMP. SOUP/ FD COFFEE
2	20288	CANISTER BOTTOM BASIC
3	20311	CANISTER COMMODITY WHEEL
4	20263	CANISTER REAR BEARING
5	25970	SCREW, AUGER DRIVE 8/32 x 3/8 HH
6	36285	SOCKET DRIVE CANISTER MOTOR

Item No.	Part No.	Description
7	20645-2	AUGER, COMMODITY ASM
8	26643	SPOUT CANISTER NO LOUVER
9	25970	SCREW, 6/32 x 1/4 FH PHIL
10	24400113	SPOUT FUNNEL RH
11	24400112	SPOUT FUNNEL LH USED ON WHITENER
12	20290	CANISTER EXTENSION
13	20647	CANISTER LID

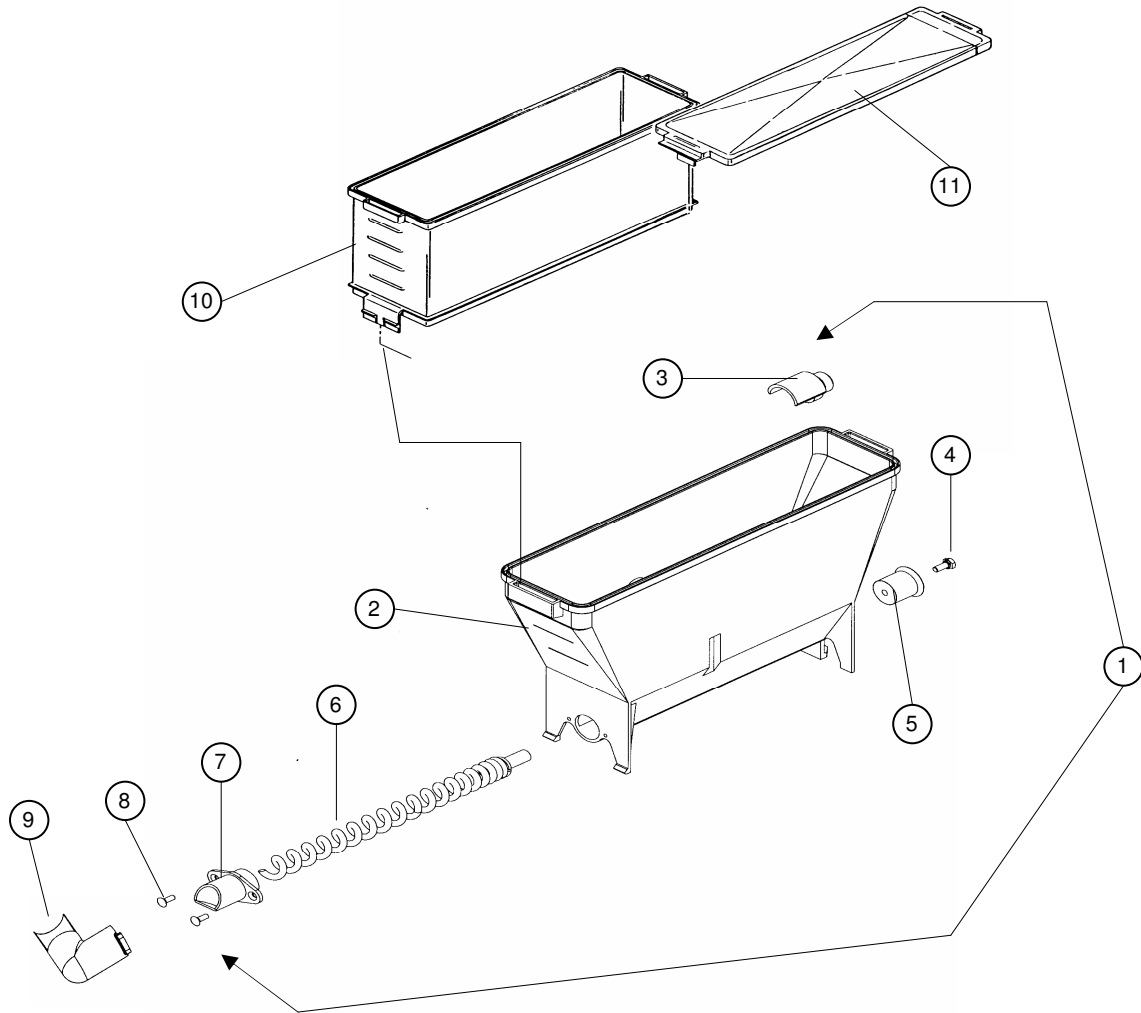
canister assemblies: soup, decaf



Item No.	Part No.	Description
1	26600379	CANISTER ASM COMP. SUGAR no LOUVER
2	20288	CANISTER BOTTOM BASIC
3	20263	CANISTER REAR BEARING
4	25970	SCREW, AUGER DRIVE 8/32 x 3/8 HH
5	36285	SOCKET DRIVE CANISTER MOTOR
6	20645-2	AUGER, COMMODITY ASM

Item No.	Part No.	Description
7	26643	SPOUT CANISTER NO LOUVER
8	25970	SCREW, 6/32 x 1/4 FH PHIL
9	24400112	SPOUT FUNNEL LH
10	20290	CANISTER EXTENSION
11	20647	CANISTER LID

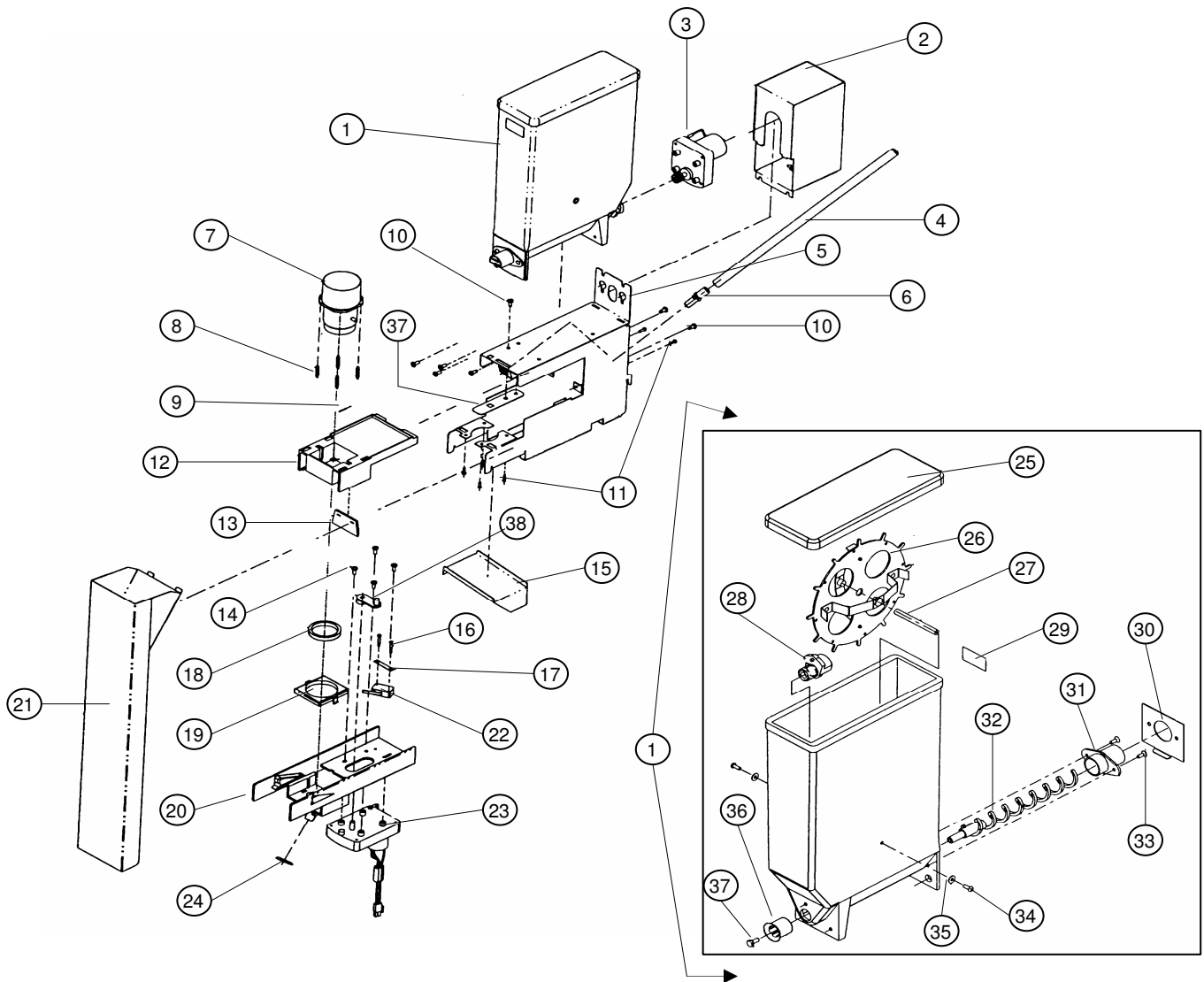
canister assemblies: sugar / lemon tea



Item No.	Part No.	Description
1	26600374	CANISTER ASM COMP. SUGAR no LOUVER
2	20288	CANISTER BOTTOM BASIC
3	20263	CANISTER REAR BEARING
4	25970	SCREW, AUGER DRIVE 8/32 x 3/8 HH
5	36285	SOCKET DRIVE CANISTER MOTOR
6	20645-2	AUGER, COMMODITY ASM

Item No.	Part No.	Description
7	30157	SPOUT CANISTER NO LOUVER
8	25970	SCREW, 6/32 x 1/4 FH PHIL
9	24400113	SPOUT FUNNEL RH
10	20290	CANISTER EXTENSION
11	20647	CANISTER LID

# fresh brew tea assembly

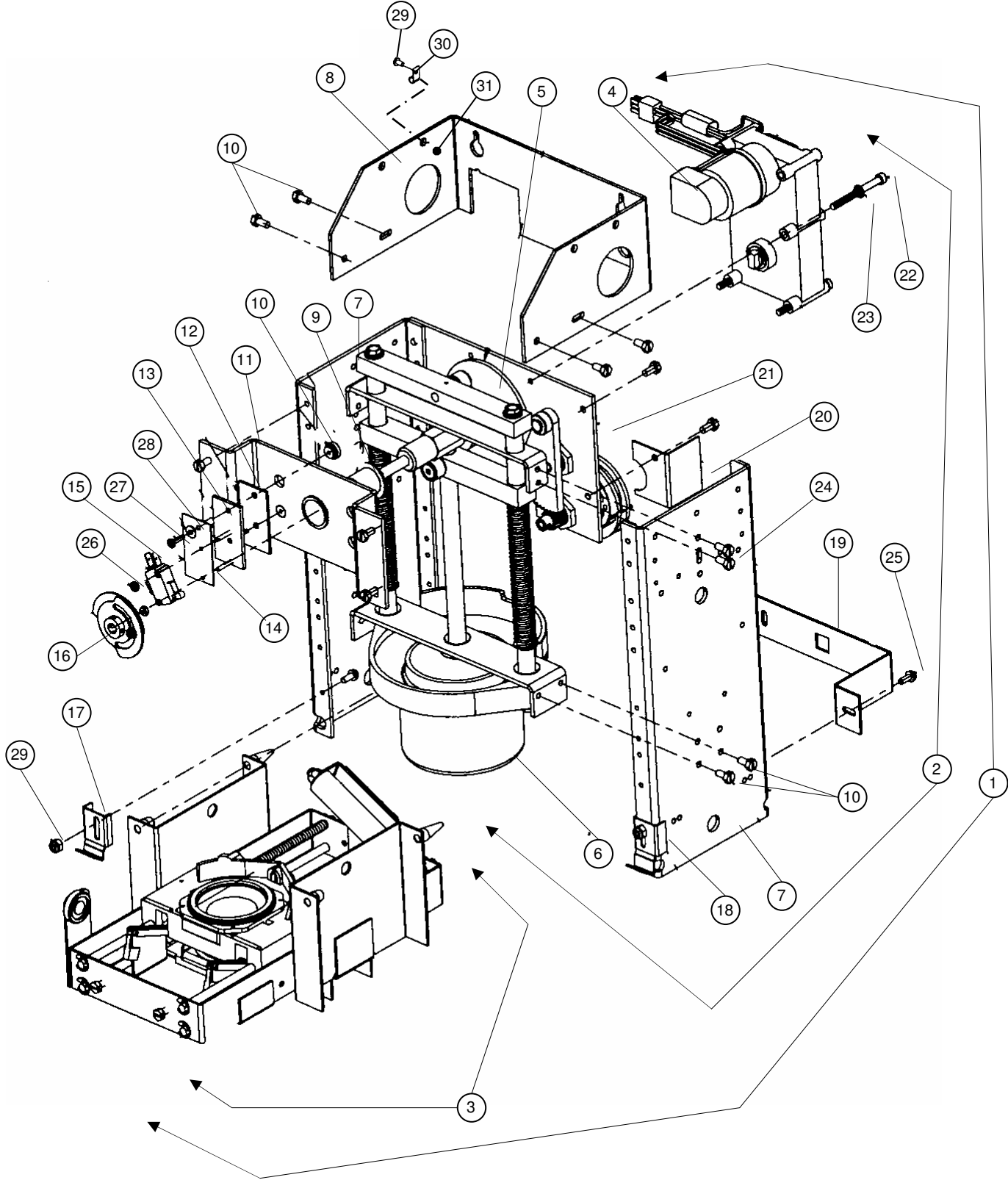


Item No.	Part No.	Description
1	26600266	FB TEA CANISTER ASM
2	26000154	COVER ASM WELD AUGER MOTOR
3	26600016	MOTOR ASM 180 RPM
4	27000023-05	TUBING, 5/16 ID GRY SIL 13.3
5	26000194	BRACKET TEA BREWER ASM
6	24400069	NOZZLE LARGE DISPENSE SPOUT
7	32650	CAVITY FB TEA BREWER 9 OZ
8	33711	SPRING EXT TEA BREW CAVITY
9	06031	PIN COTTER 1/16X1/2 SS
10	23100115	SCREW 8-32X3/8 PH PHL T23 ZP
11	29942	SCREW 6X3/8 HH PHL PST 48TWHX
12	32651	CARRIAGE FB TEA BRWR
13	32744	BLADE WIPER FB TEA BREWER
14	116-8R6	SCREW 8-32 X 3/8 PH MACH ZNWAX
15	22000708	PAN DRIP CATCH TEA BREWER 422
16	21193	SCREW 4-40X3/4 RH M PHL
17	32740	NUT 4-40 TWIN-SPEED
18	33538	SEAL FILTER TEA BRWR BLACK
19	32892	FILTER MOLDED BRWR TEA

Item No.	Part No.	Description
20	32649-1	BASE FB TEA BRWR
21	26000159	CHUTE ASM WELDED FBT
22	23800010	SWITCH TEA BREWER HOME
23	26700031	MOTOR TEA BREWER
24	420010-19	WASHER 1 1/16 X .510 X .03 BR
25	06695	LID CANISTER TALL PLASTIC
26	14420	WHEEL ASM FB TEA
27	14017	AXLE WHEEL PLTD
28	14012	BEARING REAR
29	33079-7	DECAL CAN TEA
30	22000699	BRACKET TEA CANISTER FRONT
31	14011	SPOUT, CANISTER LESS / LOUVERS
32	14023	AUGER & SHAFT ASM
33	25034	SCREW 6X3/8 FH PHILLIPS B PL
34	00825	SCREW 6-32X3/8 PHL RH M SCP
35	00826	WASHER FLAT #6 SCP
36	36285	SOCKET DRIVE CANISTER MOTOR
37	25970	SCREW AUGER DRIVE



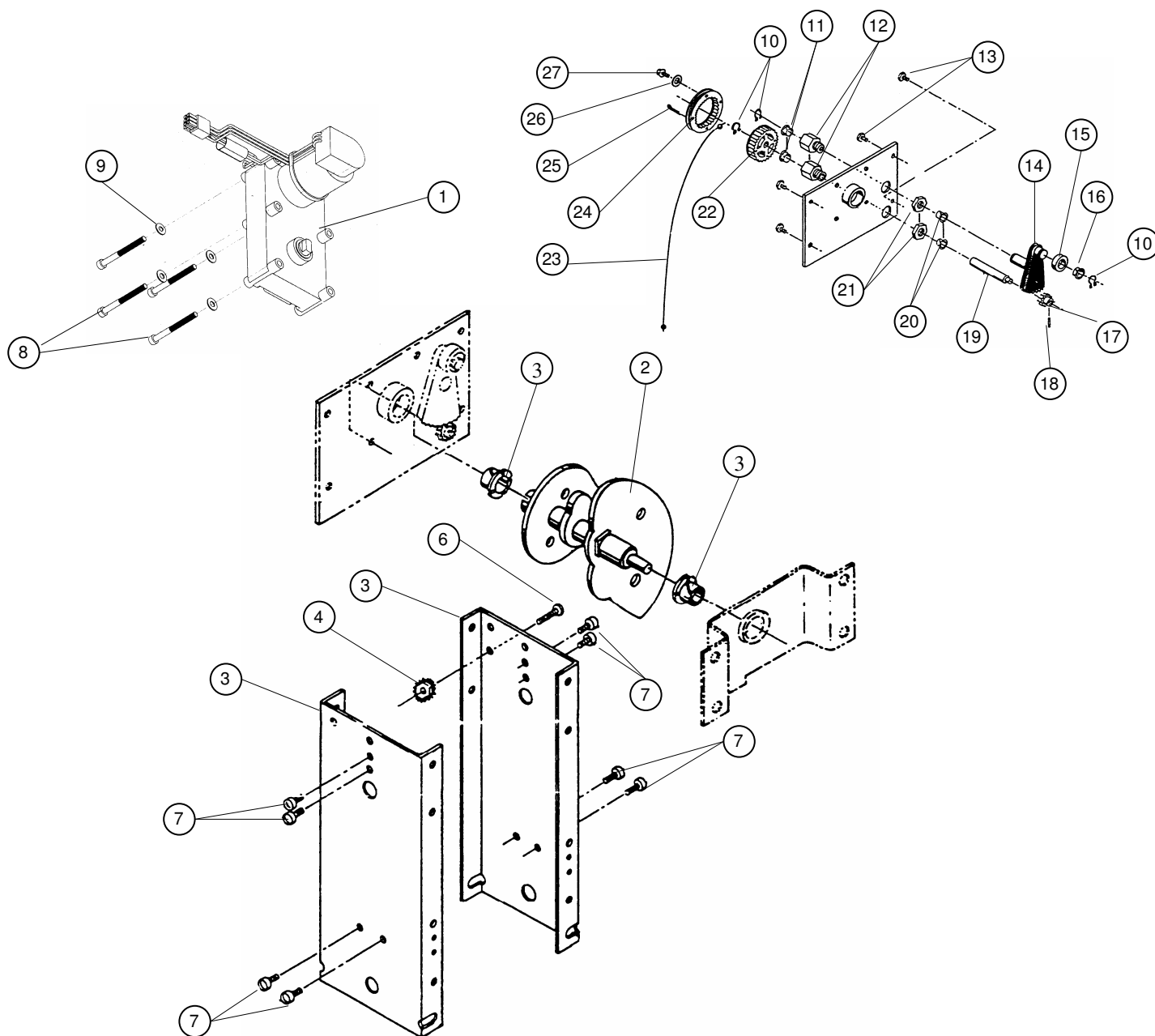
complete brewer assembly



# complete brewer assembly

Item No.	Part No.	Description
1	26600243	BEWER ASSEMBLY COMPLETE
2		UPPER BREWER ASSEMBLY COMPELETE
3	26600261	BREWER BASE ASSEMBLY COMPLETE
4	26700005	BREWER MOTOR
5	26000337	BREWER CAM ASSEMBLY (BLACK DRIVE CAM)
6	32714	BREWER CYLINDER (CLEAR)
7	17332	CHANNEL BREWER SIDE
8	33040	BRACKET BREWER MOUNTING
9	16058-5	BEARING, NYLINER
10	17848	INSULATOR BREWER SWITCH
11	18971	FRONT CHANNEL ASSEMBLY
12	23100104	SWITCH SPACER
13	26000215	BRACKET ASM SWITCH
14	27100013	INSULATOR SWITCH
15	23800014	CYCLE SWITCH
16	13147	CAM ASSEMBLY (SILVER CYCLE CAM)
17	32715	BRACKET LATCH LHD
18	32715-1	BRACKET LATCH RHD
19	33027	BRACKET BREWER SUPPORT (LOWER)
20	17356	BREWER CABLE GUARD
21	18970	BACK PLATE ASSEMBLY COMPLETE
22	17846	SCREW, BREWER MOTOR 8/32 x 1/4
23	17423	WASHER LOCK #10
24	14805	SCREW 10/32 x 3/8 HH
25	14806	SCREW 8/32 x 3/8 HH
26	22849	NUT, 4/40 KEP
27	276-6R8	SCREW 6 x 1/2 PH
28	00826	WASHER FLAT #6
29	117-10r6	SCREW 10-32 X 3/8 PH
30	34802-4	CLIP WIRE HARNESS
31	11750	NUT 10-32 KEP

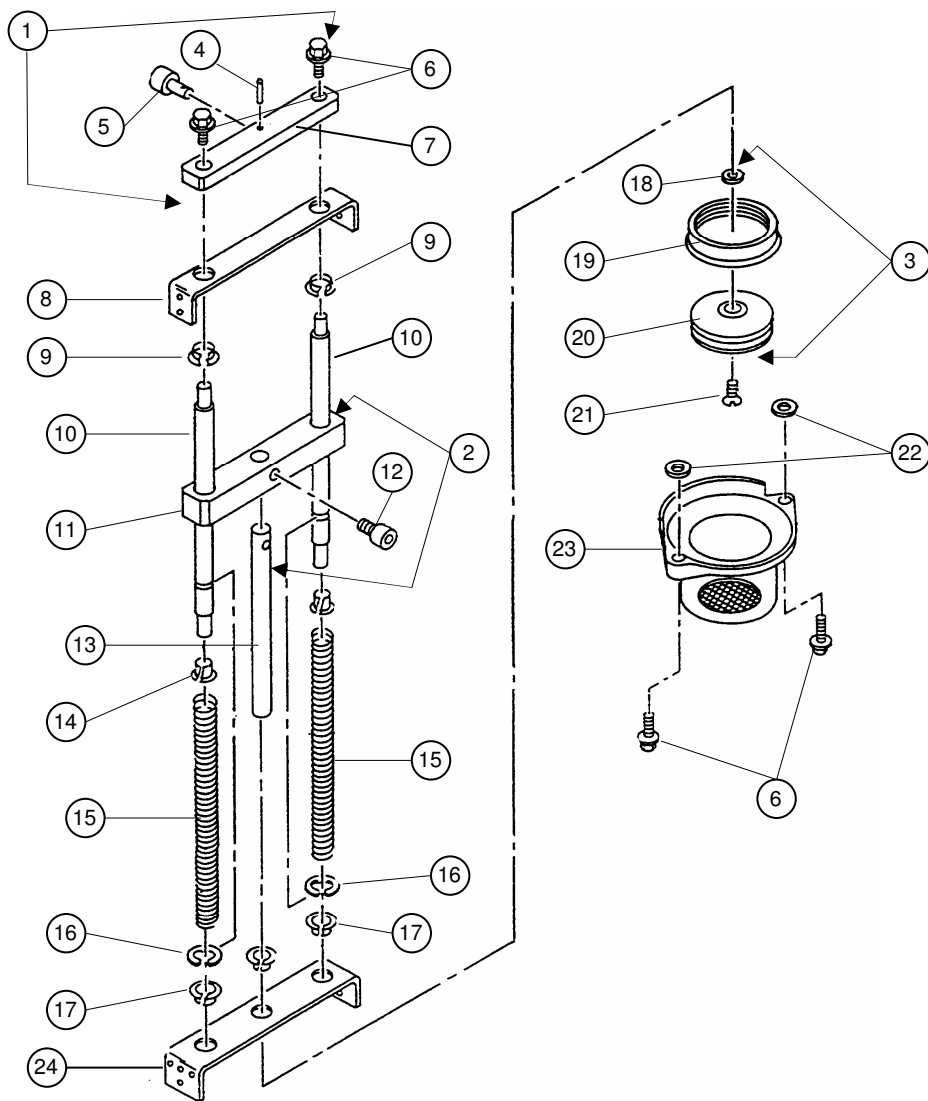
## brewer back panel / front channel & main assembly



Item No.	Part No.	Description
1	26600005	BREWER MOTOR 24VDC
2	26000337	CAM ASM, BREWER
3	17332	CHANNEL, BREWER SIDE
4	11749	NUT, 8-32 KEP, PL
5	16058-5	NYLINER, 12L12FGS
6	17413	SCREW, 8-32 x 1 1/4, RH, M
7	14805	SCREW, 10-32 x 3/8, HH, SD, CD
8	17846	SCREW, 10-32 x 2, SK CAP
9	17423	WASHER LOCK #10 INTERNAL STAR SCP
10	17521-7	RING, RETAINING, E 318 BLU
11	16058	NYLINER CAM FOLLOWER, SPECIAL
12	17683	SLEEVE BEARING
13	22220	SCREW, 10-32 x H.H.S.T. PLATED
14	15522	GEAR ASM SEGMENT

Item No.	Part No.	Description
15	15512	CAM FOLLOWER
16	16438	NYLINER CAM FOLLOWER
17	15520	PINION GEAR
18	00652	SCREW, #6-32x3/16 SCKT SET, CUP POINT
19	15521	SHAFT, PINION
20	16058	NYLINER 6L6F
21	00822	NUT, 5/8 x 3/16, HEX, BR
22	15554	SPOOL, HUB
23	17404-1	BREWER CABLE
24	15553	SPOOL
25	17412	PIN, COTTER, 1/16 x 3/4 SS
26	00961	WASHER, FLAT, #8 PLATED
27	14806	SCREW #8-32 x 3/8 S.T.H.H.

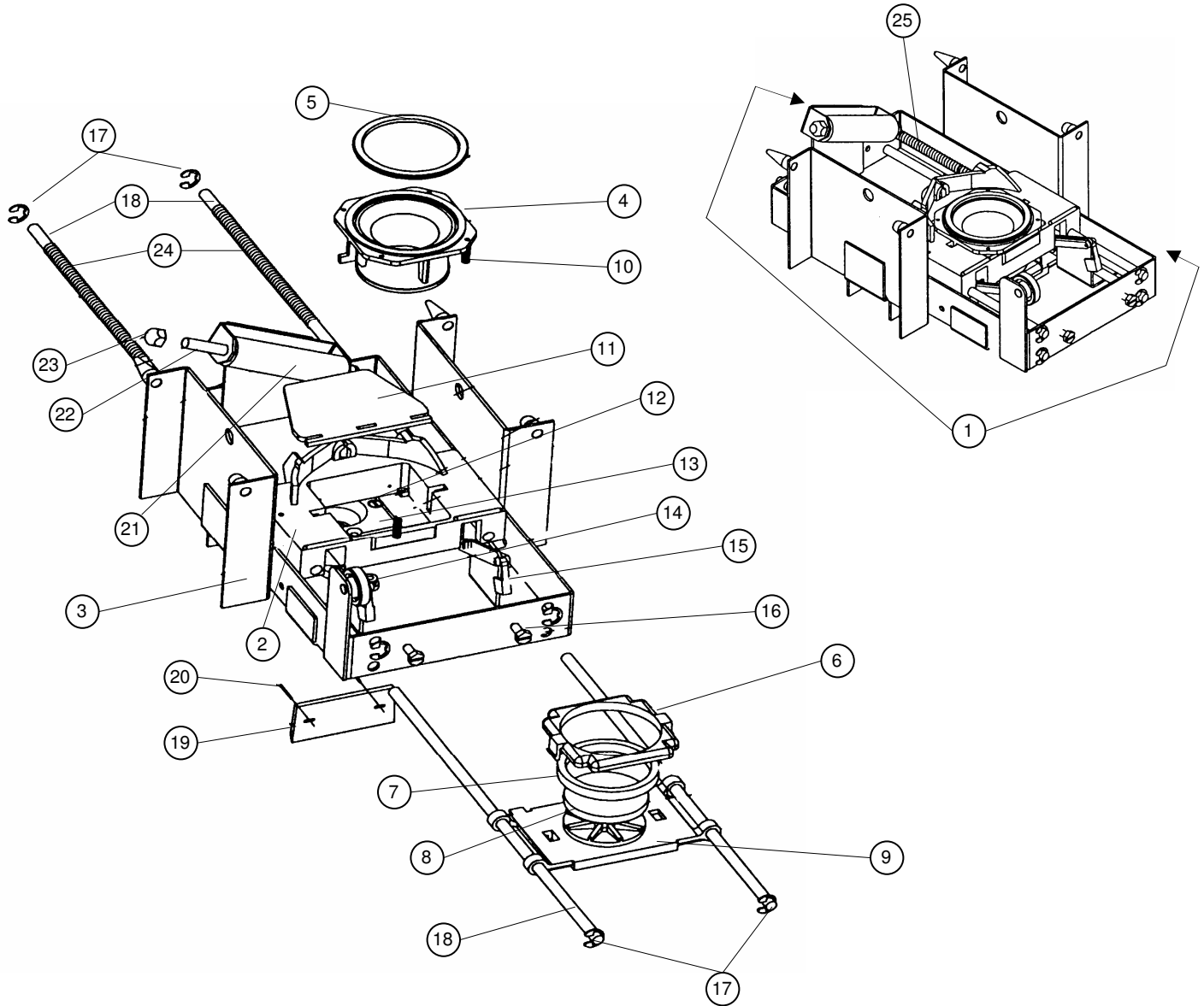
# brewer main frame assembly



Item No.	Part No.	Description
1	18996	BRIDGE ASM, CYLINDER (includes 4, 5, & 7)
2	26600400	BRIDGE ASM, PISTON (metric) (includes 11, 12, & 13) <b>prior to serial # 42201101001 use 18997</b>
3	29483-1	PISTON ASM COMP (for metric screw) (includes 18, 19, & 20) <b>prior to serial # 42201101001 use 29483</b>
4	14511	PIN, ROLL 3/32 x 1/2, SS
5	11947	FOLLOWER, CAM, SEALED
6	17415	SCREW, 1/4-20 x 1/2, HH, WASHER
7	17324	BRIDGE, CYLINDER
8	17326	BRACKET, GUIDE TOP
9	16058-17	NYLINER, 8L2FF
10	17322	ROD, CYLINDER
11	17323	BRIDGE, PISTON
12	11947	FOLLOWER, CAM, SEALED

Item No.	Part No.	Description
13	23000005	ROD, PISTON (metric) <b>prior to serial # 42201101001 use 17327</b>
14	16058-16	NYLINDER, 8L12F
15	11956	SPRING, PISTON RETURN
16	17521-10	RING, RETAINING, 7/16, SS
17	16058-17	NYLINER, 8L2FF
18	13085	GASKET, ROD SEAL
19	29482	SEAL, SILICONE WHITE
20	29481-1	PISTON, MOLDED, RED <b>prior to serial # 42201101001 use 29481</b>
21	23100114	SCREW, 1/4-20 x 1 1/4 FHST NYLOCK <b>prior to serial # 42201101001 use 12716</b>
22	13839	WASHER, SPECIAL CYLINDER
23	32714	CYLINDER BREWER
24	17325	BRACKET, GUIDE BOTTOM

brewer base assembly



Item No.	Part No.	Description
1	26600261	BREWER BASE ASM COMPLETE
2	35147-3	CARRIAGE BREWER
3	26000150	BASE ASM FRAME WELD
4	28406-1	CHAMBER BREW BASE DEEP CAVITY
5	12798	SEAL, BREW CAVITY
6	16721	FILTER, BREW CHAMBER
7	16724	SEAL RING, FILTER
8	16723	SCREEN FILTER, METAL SUPPORT
9	28020	SCREEN SUPPORT, MOLDED SCREEN
10	14435	SPRING, CHAMBER
11	27926	COVER FUNNEL BREW BASE
12	15022	SCREW 6-32 x 1/2 FH SS
13	17898	FUNNEL, BREWER

Item No.	Part No.	Description
14	04862	NUT 6-32 KN THUNMB
15	15019	PAWL'S PLASTIC
16	14805	SCREW 10-32 x 3/8 HHSCPSD
17	17521-3	RING RETAINING
18	14344	ROD, CARRIAGE AND FILTER SUPPORT
19	28526	BLADE, WIPER
20	06031	PIN, COTTER, 1/16 x 1/2 SS
21	14370	IDLER, ROLLER
22	16291	SHAFT IDLER
23	16419	NUT, PUSH 6-32
24	15528	SPRING, CARIAGE RETURN
25	14354	SPRING, FILTER RETURN

---

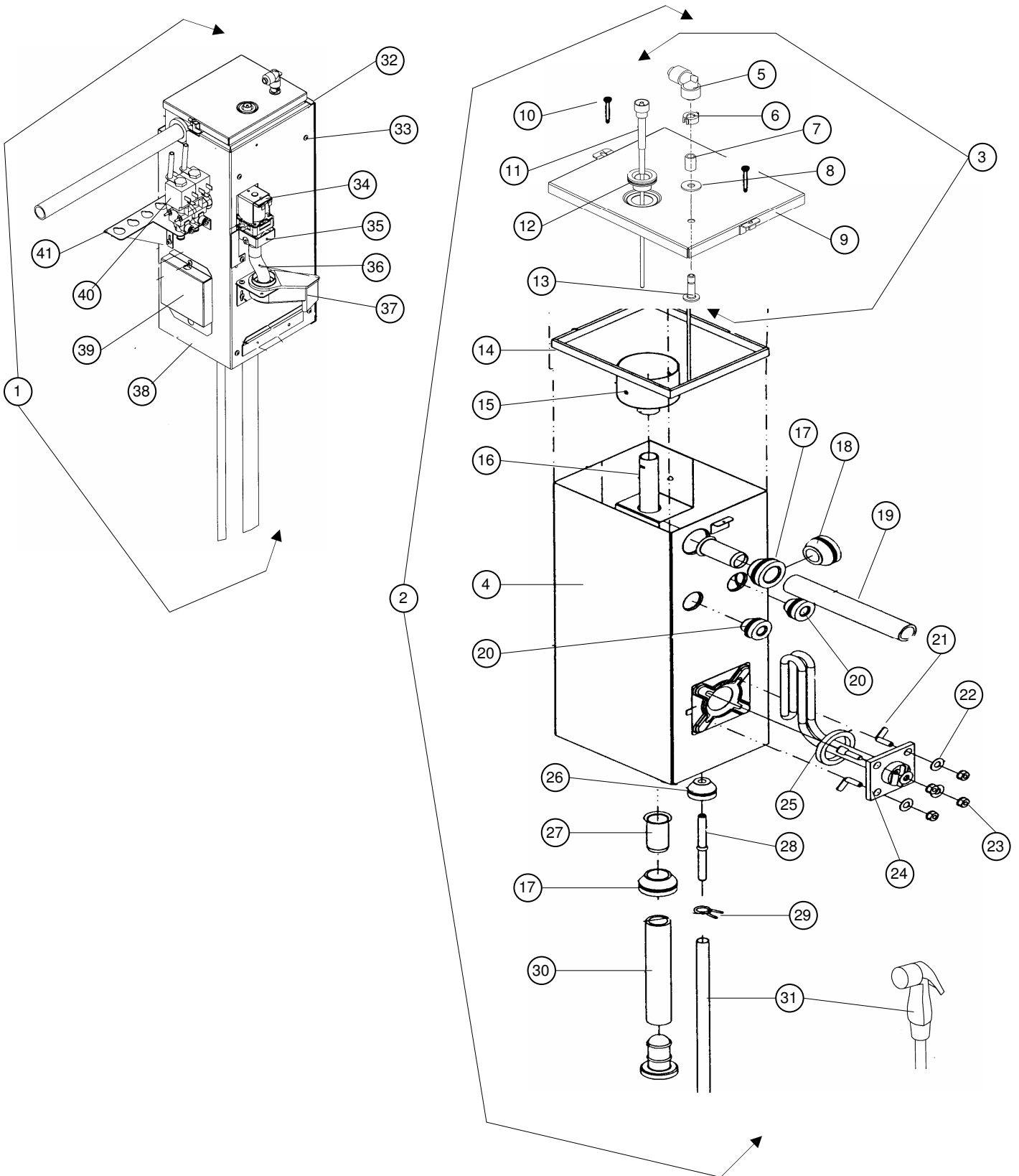
**THIS PAGE LEFT BLANK INTENTIONALLY**

**THIS PAGE LEFT BLANK INTENTIONALLY**

**THIS PAGE LEFT BLANK INTENTIONALLY**

# hot water tank assembly

(machines built before serial # 42202045019)



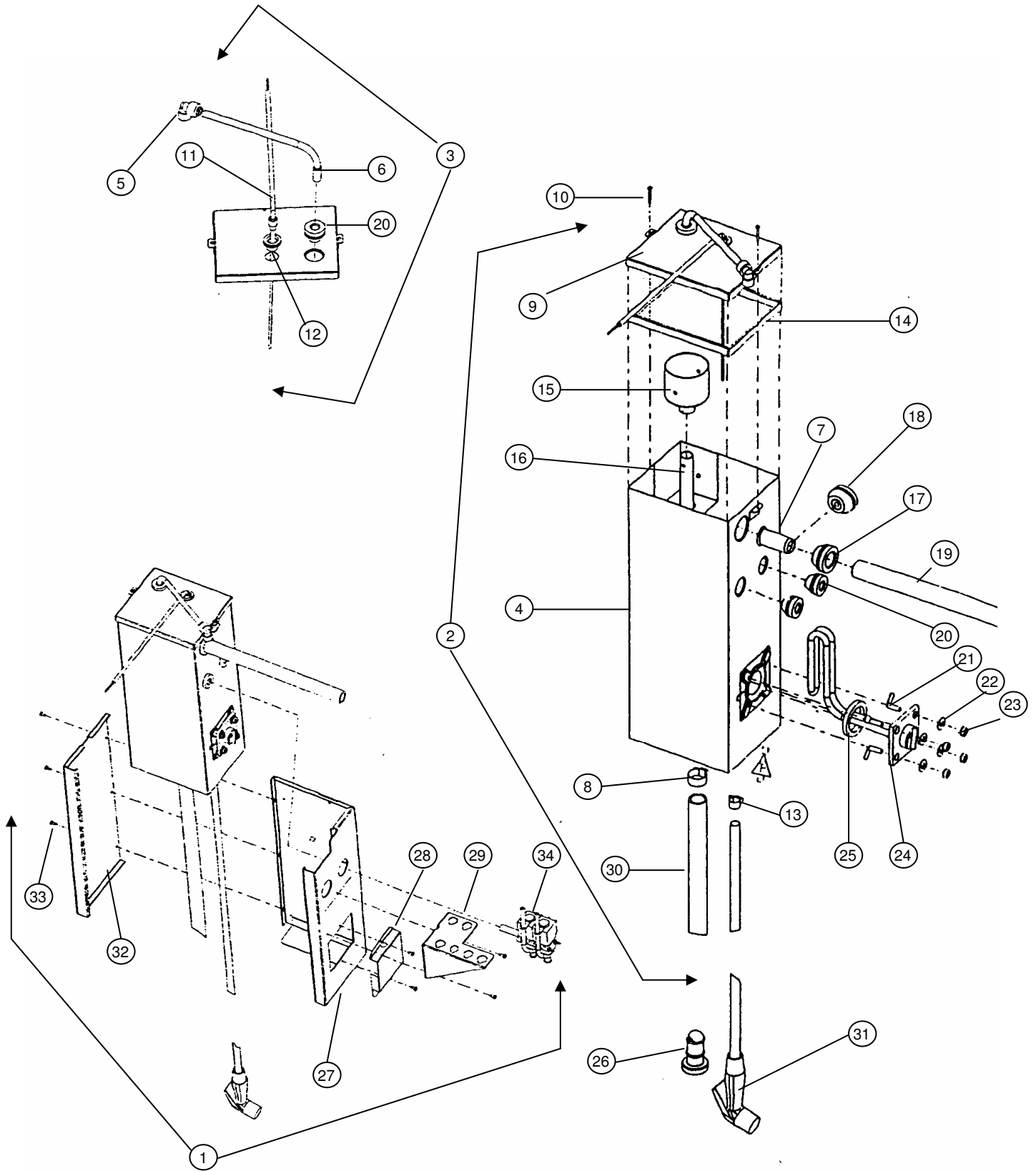
## hot water tank assembly

(machines built before serial # 42202045019)

Item No.	Part No.	Description
1	26600248	TANK ASM COMP 422 (includes jacket and valves)
2	26600240	WATER TANK ASM COMPLETE LESS VALVES
3	26600242	LID ASM HOT WATER TANK
4	26000140	WATER TANK ASM WELD
5	22100016	WATER INLET ELBOW 1/4 x 1/4 PLASTIC
6	38277-8	CLIP, LOCKING WATER INLET
7	22100022	TUBE 3/8 OD x 1/4 ID SILICONE
8	28521	NYLON WASHER 11/16 x 1/4 x 1/16
9	26000141	LID ASM WELD
10	17654	SCREW 6-32X1"
11	37635	PROBE, WATER TANK LEVEL / TEMPERATURE
12	33859	PROBE GROMMET (BOOT)
13	24400070	WATER INLET TUBE
14	23300011	GASKET HOT WATER (LID - 24")
15	33800	FUNNEL, WATER IN
16	28515-3	TUBE, FILL
17	24400066	GROMMET .87 DIA.
18	24400044	GROMMET .740 DIA.
19	27000010	TUBING, 3/4" ID GRAY SILICON
20	24400041	GROMMET .47 DIA.
21	24496	SCREW, 1/4-20 x 3/4 WELD
22	13959	WASHER SS
23	12518	NUT 1/4-20 KEP
24	23500004	HEATER ELEMENT 2000 WATT
25	36318	GASKET, HEATER
26	24400133	SLEEVE GROMMET .312 DIA
27	22100014	TUBE DRAIN HOSE
28	22100023	TUBE RINSE HOSE
29	23100080	RINSE HOSE CLAMP
30	27000010	TUBING, 3/4 " ID GRAY SILICONE
31	26600286	RINSE HOSE
32	22000503	BRACKET SIDE, JACKET
33	23100115	SCREW 8-32 x 3/8 PH
34	26700014	BREWER VALVE INVENSYS
35	22000656	BRACKET, BREWER VALVE
36	31323-3	TUBE SILICONE 1/2 ID 3/4 OD x 1/8
37	26600241	BREWER SPOUT ASM.
38	26000084	JACKET ASM WATER TANK (less item # 32)
39	22000657	COVER WATER TANK HEATER
40	26700023	COMMODITY 2 VALVE MANIFOLD ASM
40a	26700022	COMMODITY 3 VALVE MANIFOLD ASM
40b	26700037	COMMODITY 4 VALVE MANIFOLD ASM
41	22000504	BRACKET MOUNTING COMMODITY VALVES



hot water tank assembly  
(machines built after serial # 42202045019)

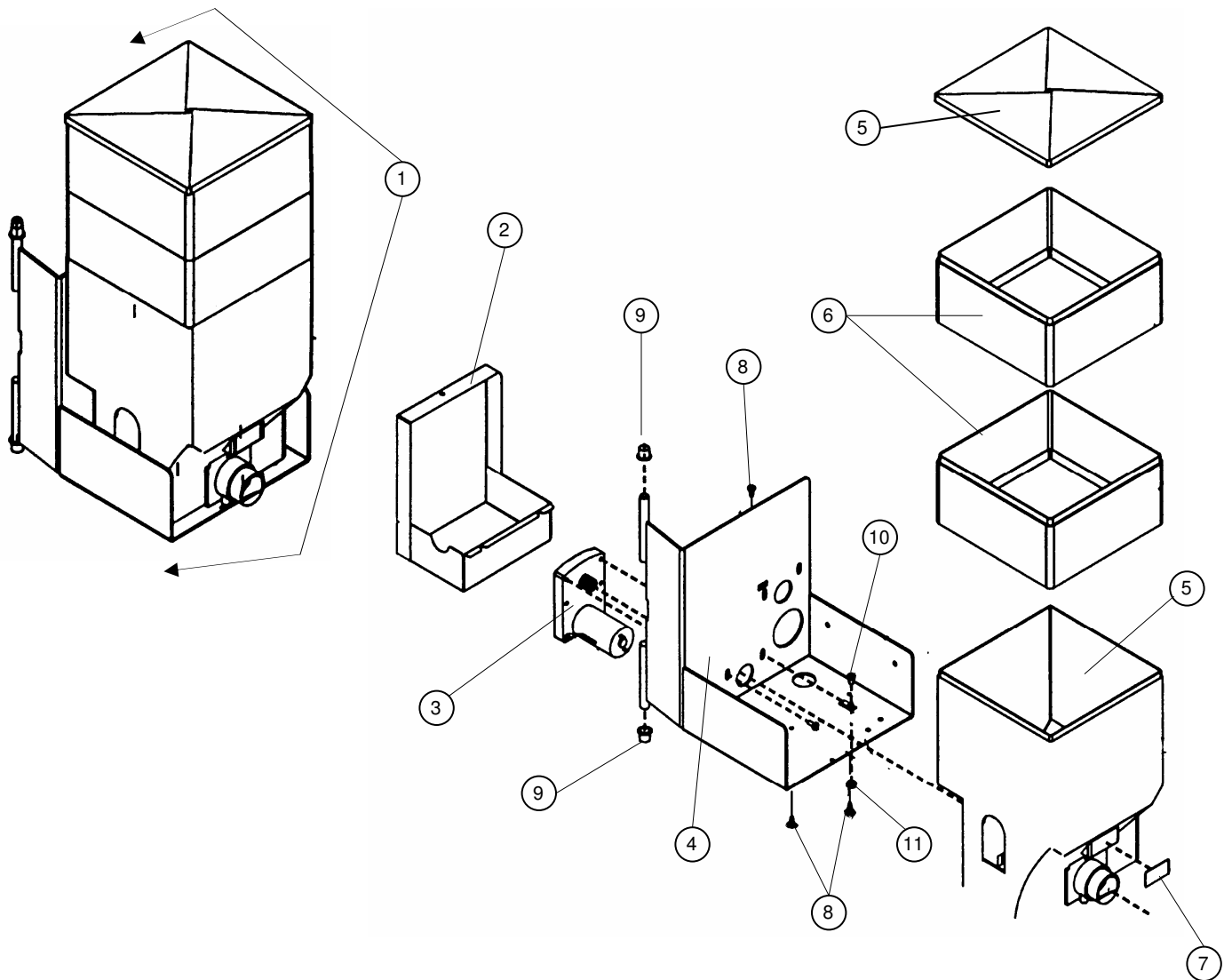


## hot water tank assembly

(machines built after serial # 42202045019)

Item No.	Part No.	Description
1	26600343	TANK ASM COMP 422 (includes jacket and valves)
2	26600342	WATER TANK ASM COMPLETE LESS VALVES
3	26600242	LID ASM HOT WATER TANK
4	26000140	WATER TANK ASM WELD
5	38277-35	WATER INLET ELBOW 1/4 x 3/8 PLASTIC
6	22100031	TUBE WATER INLET
7	22100014	TUBE DRAIN HOSE
8	34792-2	HOSE CLAMP
9	26000141	LID ASM WELD
10	276-6R16	SCREW 6-32X1"
11	37635	PROBE, WATER TANK LEVEL / TEMPERATURE
12	33859	PROBE GROMMET (BOOT)
13	34792	HOSE CLAMP
14	23300011	GASKET HOT WATER (LID - 24")
15	33800	FUNNEL, WATER IN
16	28515-3	TUBE, FILL
17	24400066	GROMMET .87 DIA.
18	24400067	GROMMET .87 DIA.
19	27000026-05	TUBING, 3/4" ID GRAY SILICON
20	24400041	GROMMET .47 DIA.
21	24496	SCREW, 1/4-20 x 3/4 WELD
22	13959	WASHER SS
23	12518	NUT 1/4-20 KEP
24	23500004	HEATER ELEMENT 2000 WATT
25	36318	GASKET, HEATER
26	33553	DRAIN PLUG
27	26000084	JACKET ASM WATER TANK (less item # 32)
28	22000657	COVER WATER TANK HEATER
29	22000504	BRACKET MOUNTING COMMODITY VALVES
30	27000026-04	TUBING, 3/4 " ID GRAY SILICONE
31	26600286	RINSE HOSE
32	22000503	BRACKET SIDE, JACKET
33	23100115	SCREW 8-32 x 3/8 PH
34	26700023	COMMODITY 2 VALVE MANIFOLD ASM
34a	26700022	COMMODITY 3 VALVE MANIFOLD ASM
34b	26700037	COMMODITY 4 VALVE MANIFOLD ASM

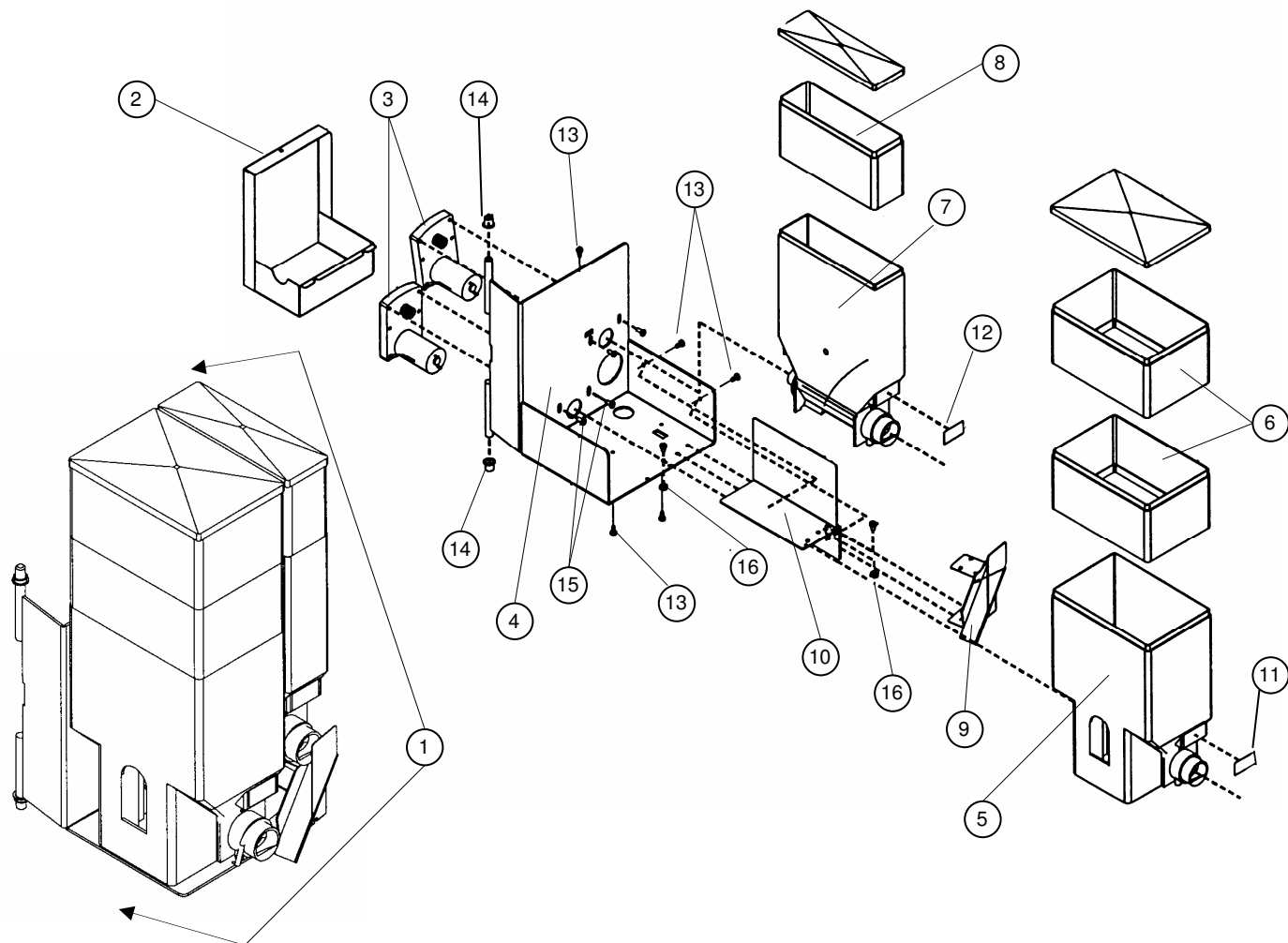
## swing-out bracket assembly single hopper



Item No.	Part No.	Description
1	26600245	SWING-OUT ASM COMPLETE
2	26000214	MOTOR COVER
3	26600250	AUGER MOTOR
4	26000142	SWING-OUT BRACKET ASM WELD
5	24400155	COFFEE HOPPER BASE COMP. (INCLUDES LID)

Item No.	Part No.	Description
6	24400086	COFFEE HOPPER EXTENSION
7	33079-2	DECAL CANISTER COFFEE
8	23100115	SCREW 8/32 x 3/8 PH
9	16058	BEARING, NYLINER
10	23100112	SCREW 10/32 x 1/4 PH
11	11750	NUT 10-32 KEP EXT LK WA SCP

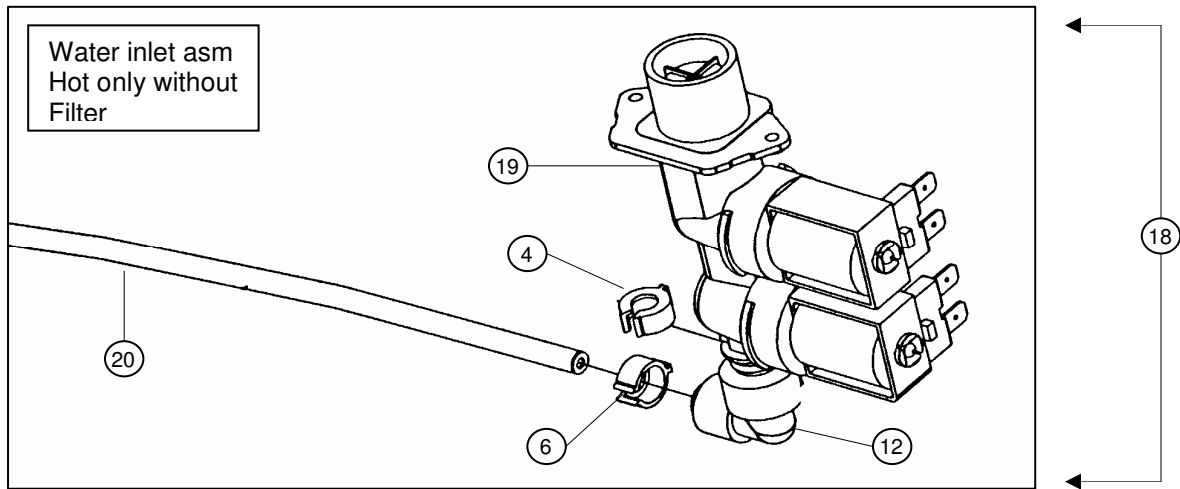
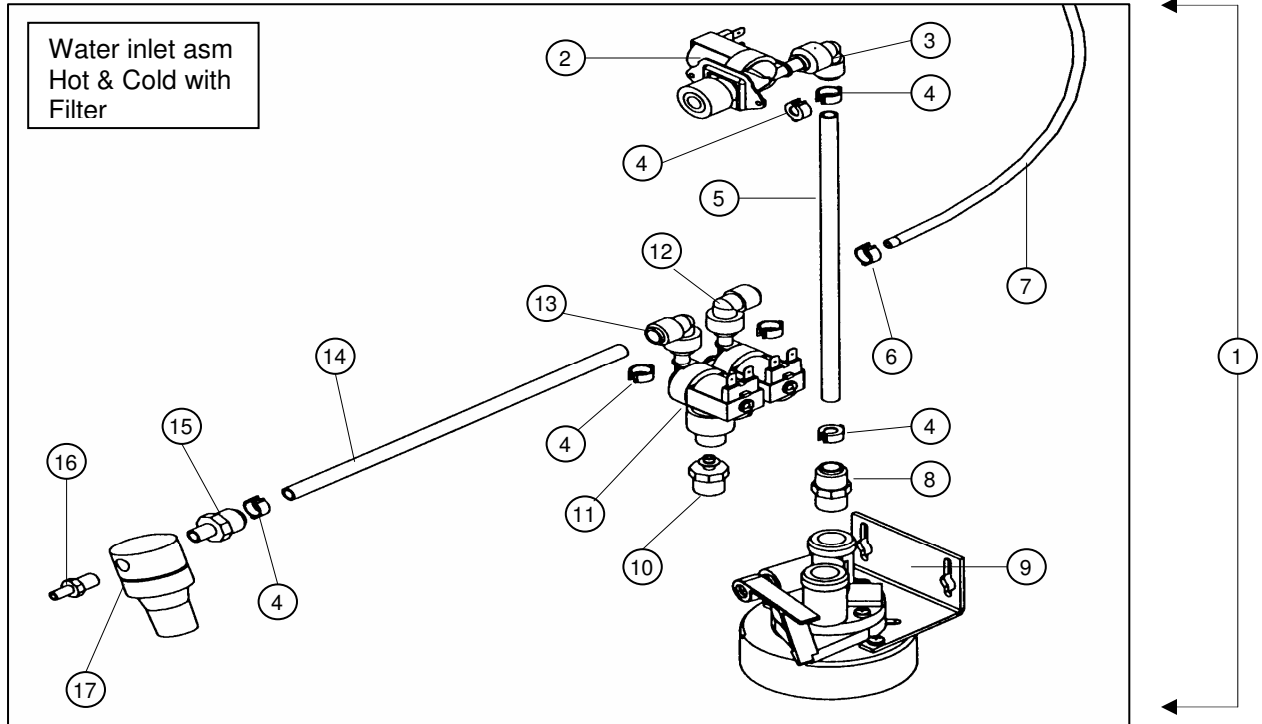
# swing-out bracket assembly dual hopper



Item No.	Part No.	Description
1	26600249	DUAL HOPPER SWING-OUT ASM COMPLETE
2	26000214	MOTOR COVER
3	26600250	AUGER MOTOR
4	26000142	SWING-OUT BRACKET ASM WELD
5	24400156	COFFEE HOPPER BASE COMP. (INCLUDES LID)
6	24400127	COFFEE HOPPER EXTENSIONS
7	24400157	DECAF COFFEE HOPPER BASE COMP. (INCLUDES LID)

Item No.	Part No.	Description
8	24400126	DECAF COFFEE HOPPER EXTENSION
9	26000212	DECAF COFFEE HOPPER CHUTE
10	26000236	BRACKET ASM WELD EXT. DUAL HOPPER
11	33079-2	DECAL, CANISTER COFFEE
12	33079-9	DECAL, DECAL CANISTER COFFEE
13	23100115	SCREW 8/32 x 3/8 PH
14	16058	BEARING, NYLINER
15	116-8R6	SCREW 8-32 X 3/8 PH
16	11750	NUT 10-32 KEP EXT LK WA SCP

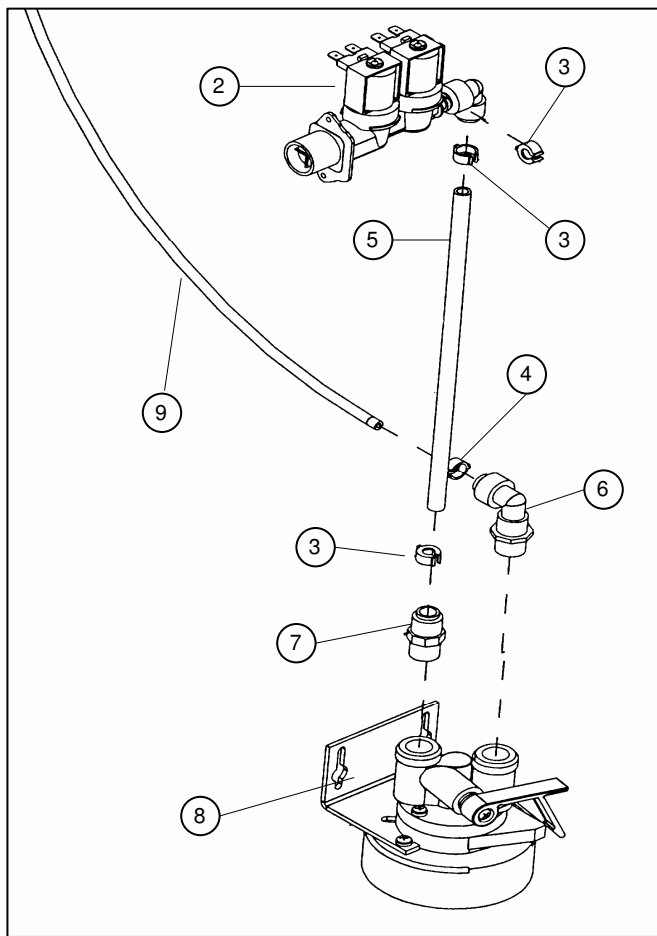
water inlet assemblies



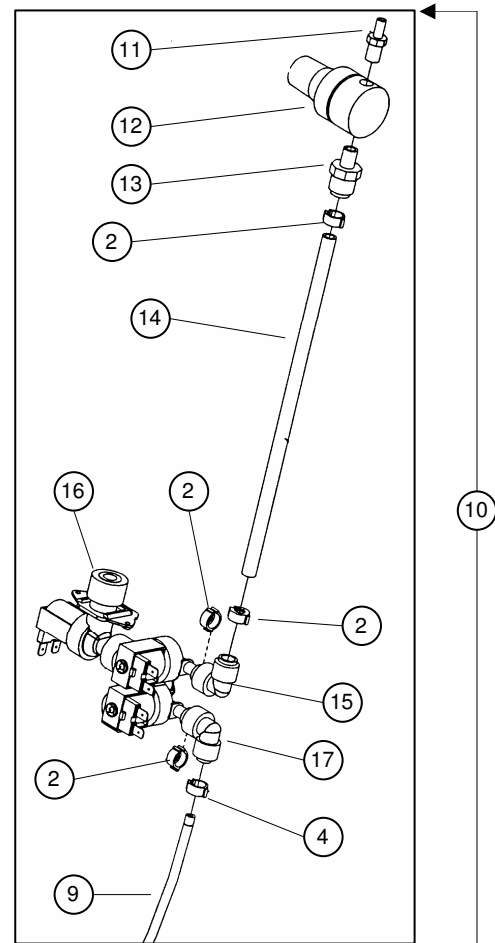
Item No.	Part No.	Description
1	26600347	WATER INLET ASM HOT-COLD w/ FILTER
2	26700350	VALVE ASM WATER SINGLE H & C w/ ELBOW
2a	26700033	VALVE ASM WATER SINGLE H & C w/out ELBOW
3	38277-36	MALE ELBOW SWIVAL 1/4 - 3/8
4	38277-4	CLIP LOCKING LC-6
5	38323-40	TUBE 3/8 POLYPRO WHT 10 IN
6	38277-8	CLIP LOCKING LC-4
7	38324-80	TUBE 1/4 TEFLON NAT 40 IN
8	38277-3	CONNECTOR MALE STRAIGHT TRUESL
9	23281	FILTER HEAD & RING ASM
10	38277-27	ADAPTOR TUBE STEM
11	26600351	VALVE ASM WATER SPLIT H & C w/ ELBOWS

Item No.	Part No.	Description
11a	26700035	VALVE ASM WATER SPLIT H & C w/out ELBOWS
12	38277-35	ELBOW UNION 1/4 X 3/8 TUBE
13	38277-26	ELBOW UNION 3/8 X 3/8 TUBE
14	38323-68	TUBE 3/8 POLYPRO WHT 17 IN
15	38277-39	MALE CONNECTOR 3/8 TUBE 1/4 PI
16	38277-38	1/4 MALE CONNECTING BRASS
17	38603	WTR PRESSURE REGULATOR HOT & COLD
18	26600345	WATER INLET ASM H-ONLY W/O FIL
19	26600292	VALVE ASM WATER INLET HOT ONLY w/ ELBOWS
19a	2670018	VALVE ASM WATER INLET HOT ONLY w/out ELBOWS
20	38324-64	TUBE 1/4 TEFLON NAT 32 IN
	22001099	BRACKET WATER INLET

# water inlet assemblies



Water inlet asm  
Hot only with  
Filter



Water inlet asm  
Hot & Cold  
without Filter

Item No.	Part No.	Description
1	26600346	INLET WTR ASM H-ONLY W/FIL
2	26600349	VALVE ASM WATER HOT ONLY w/ ELBOW
2a	26700018	WATER INLET VALVE-DUAL 3/4 BSP w/out ELBOW
3	38277-4	CLIP LOCKING LC-6
4	38277-8	CLIP LOCKING LC-4
5	38323-40	TUBE 3/8 POLYPRO WHT 10 IN
6	38277-36	MALE ELBOW SWIVAL 1/4 - 3/8
7	38277-3	CONNECTOR MALE STRAIGHT TRUESEAL
8	23281	FILTER HEAD & RING ASM
9	38324-80	TUBE 1/4 TEFLON NAT 40 IN

Item No.	Part No.	Description
10	26600348	WATER INLET ASM H&C W/O FILTER
11	38277-38	1/4" MALE CONNECTOR BRASS
12	38603	WTR PRESSURE REGULATOR HOT & COLD
13	38277-39	MALE CONNECTOR 3/8 TUBE 1/4 PI
14	38323-68	TUBE 3/8 POLYPRO WHT 17 IN
15	38277-35	ELBOW UNION 1/4 X 3/8 TUBE
16	26600352	VALVE ASM WATER H&C w/ ELBOWS
16a	26700034	24VDC 3/4 BSP INLET H&C w/out ELBOWS
17	38277-26	ELBOW UNION 3/8 X 3/8 TUBE
	22001099	BRACKET WATER INLET