

PARTS MANUAL

1400 SERIES

BEGINNING WITH SERIAL NUMBER 00001



REFRESHMENT MACHINERY INCORPORATED 300 JACKSONVILLE ROAD - WARMINSTER, PENNSYLVANIA 18974 (215) 675-4200

**6/82
Printed in U.S.A.**

SPECIFICATIONS

RMI 1400

CAPACITY

7 oz. cups

850 cups

DIMENSIONS

Height

72"

Width

32½"

Depth

28"

WEIGHT

Crated

460 lbs.

Net

415 lbs.

ELECTRICAL

Volts

120V

Amps

16 amps

WATER SYSTEM

Open

Yes

Min. Inlet Pressure

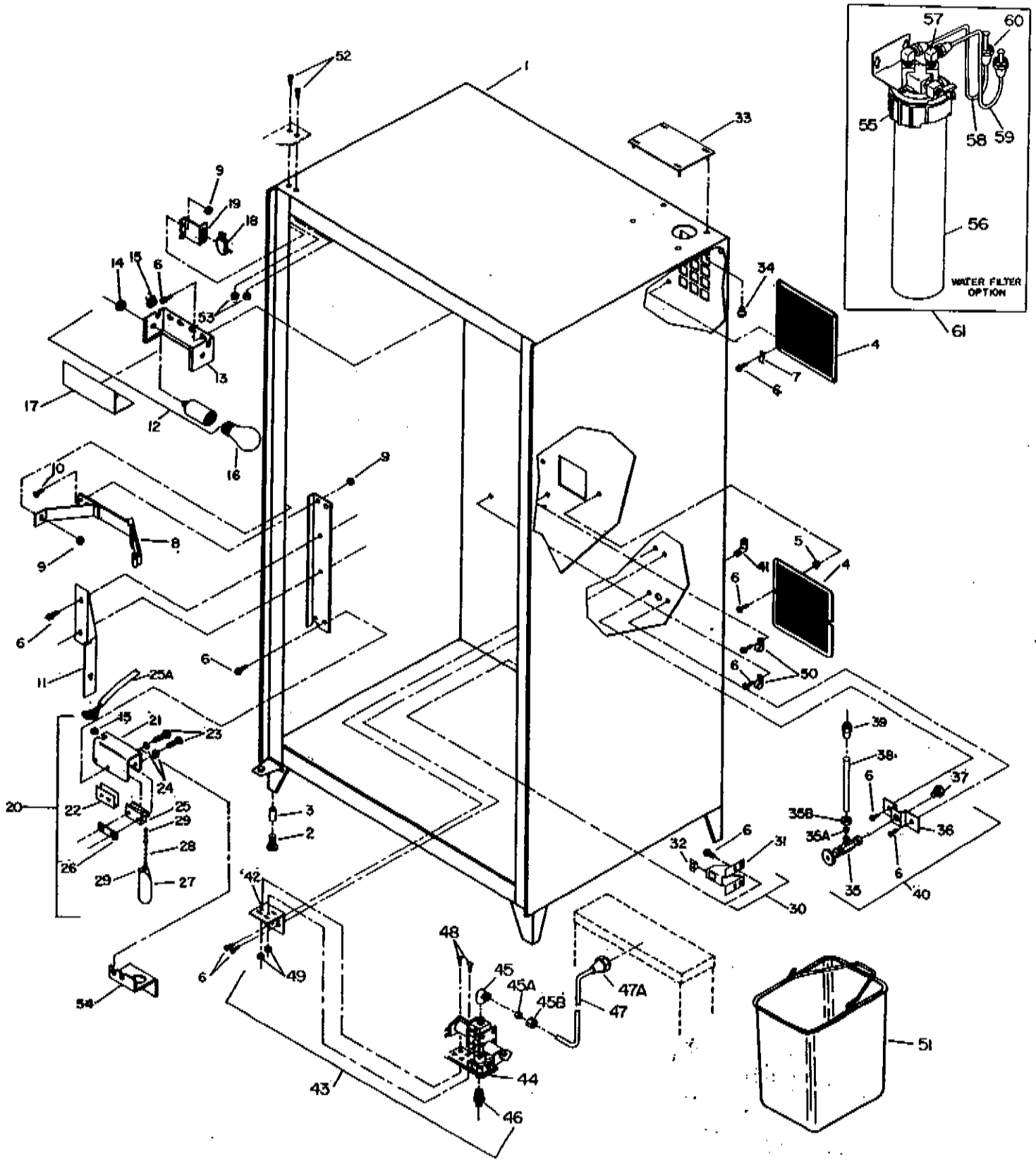
5 P.S.I.

INDEX

Miscellaneous Items Inside Cabinet	1
Interior Door, Shadow Box	3
Interior Door, Non-Shadow Box	5
Exterior Door, ARA	6
Exterior Door, Vendo	7
Exterior Door, Crown (Non-Shadow Box)	8
Exterior Door, Crown (Shadow Box)	9
Exterior Door, Furniture	10
Exterior Door, Award	11
Selector Switch	12
Cup Dispenser Cup Drop Assembly (Non-adjustable)	13
Cup Dispenser Cup Drop Assembly (Adjustable)	14
Cup Dispenser	15
Canister Assemblies	16
Canister Rack from Serial No. 00320	17
Canister Rack for Serial Nos. 00001 thru 00320	19
Hot Water Tank	21
Commodity Water Valve	23
Water Inlet Valve Assembly	24
Electrical Box	25
Wiring Diagram	26
Schematic Diagram	27

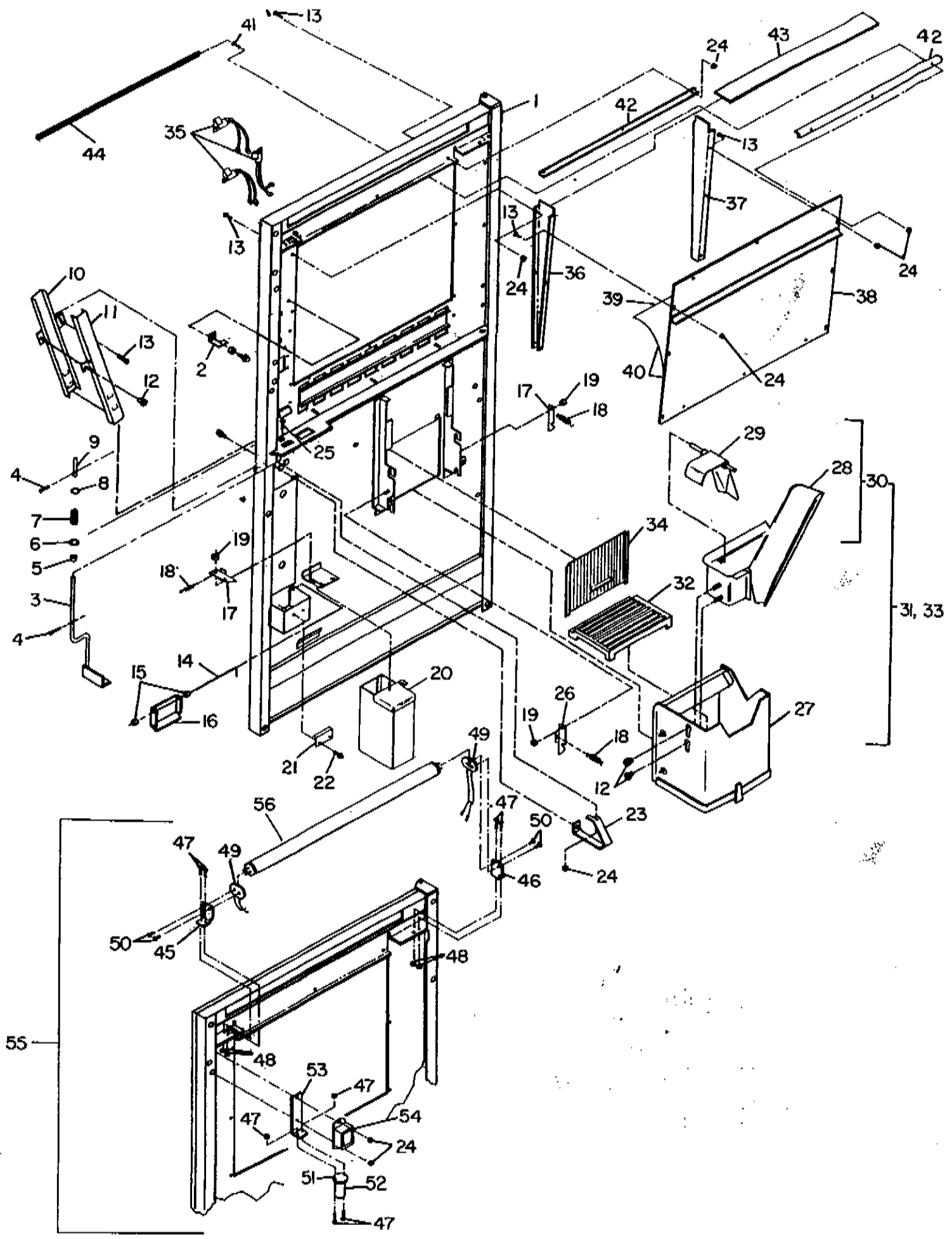
MISCELLANEOUS ITEMS INSIDE CABINET

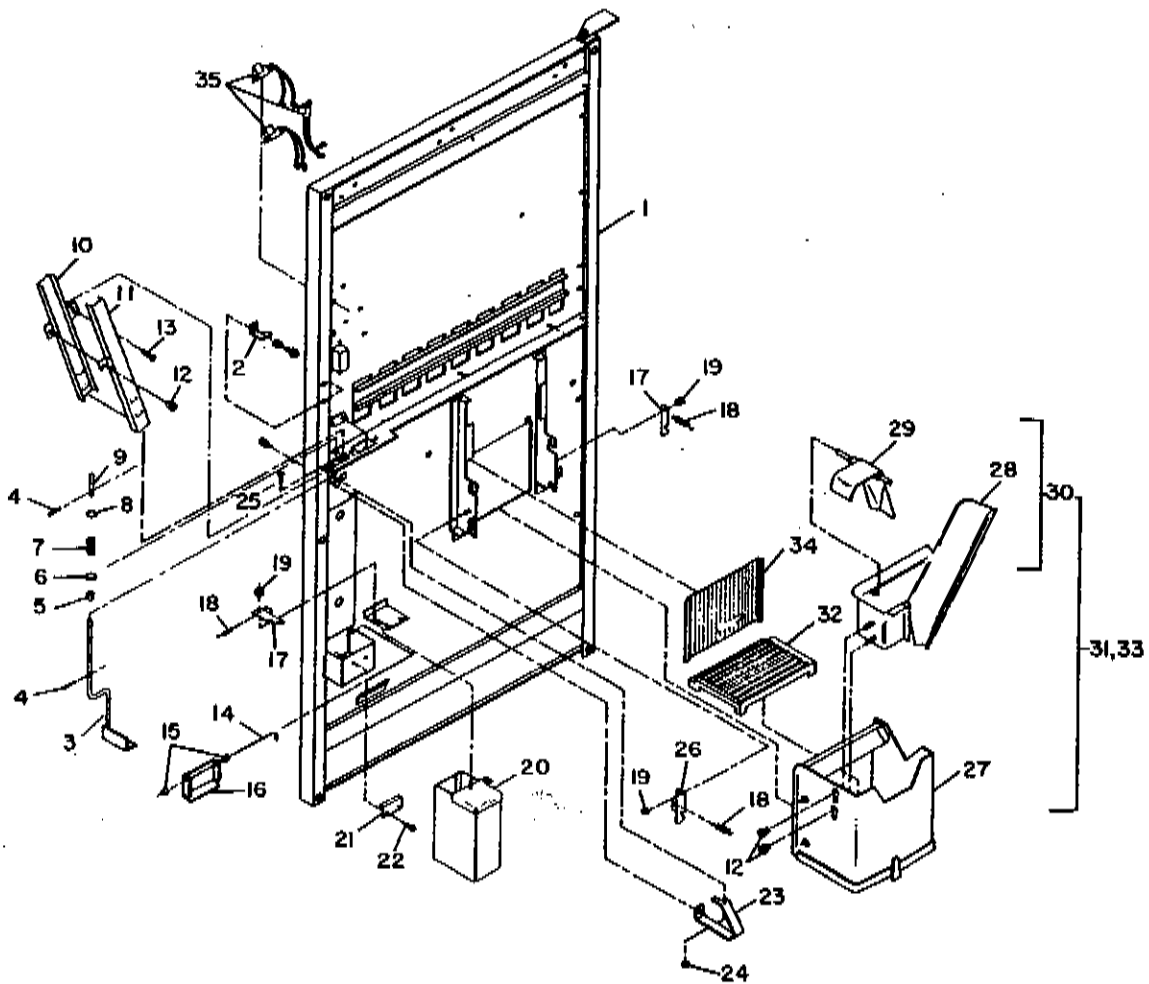
1. Cabinet (Incl. Items 2 & 3)	A21662	35B Nut, Compression	P13112
2. Leveler	P21194	36. Retainer	P19325
3. Cover, Leveler.	P21541	37. Adapter.	P19324
4. Screen.	P14189	38. Tube, Water Inlet	P22219
5. Eyelet, Flat Flange	P22360	39. Nut, Flare	P00049
6. Screw, # 8-32 x 3/8, H.H., Type "F".	P14806	40. Inlet Ass'y, Water (Incl. Items 35 thru 39)	A22600
7. Clamp	P17784	41. Elbow, 3/8 M.P.T. x 3/8 Flare	P06225
8. Bracket, Commodity Tubing	A21812	42. Bracket, Water Inlet Valve.	P14502
9. Nut, Kep, # 8-32	P11749	43. Valve Ass'y, Water Inlet (Incl. Items 44—46)	A22559
10. Screw, # 8-32 x 3/8, P.H., Type "F".	P14491	44. Valve, Water Inlet	A22242
11. Bracket, Cup Well Hanger	P22202	45. Elbow (Incl. Items 45A & 45B)	P14304
12. Light Assembly, Utility (Incl. Items 13, 14 & 15)	A18750	45A Sleeves, Compression.	P18682
13. Bracket, Utility Light.	P14119	45B Nut, Compression	P18683
14. Socket & Switch, Utility Light.	P14112	46. Adapter, 3/8 MPT to 3/8 Flare Tube.	P14923
15. Grommet, Rubber.	P02083	47. Tube Ass'y, Water Inlet (Incl. Item 47A)	A22489
16. Bulb, 40 Watt, 120 Volt	P14140	47A Nut, Flare	P01389
17. Lens, Utility Light.	P14094	48. Screw, # 8-32 x 1/2	P11073
18. Switch.	P15875	49. Nut, Kep, # 8-32	P11749
19. Bracket, Switch.	P22203	50. Clamp, Plastic (1" Dia.)	P17784
20. Switch & Bracket Ass'y, Overflow (Incl. 15 & 21—29)	A18764	51. Pail, Waste	P14560
21. Bracket, Overflow Switch	P21204	52. Screw, Weld, 1/4-20 x 5/8.	P18406
22. Insulator, Fishpaper.	P00784	53. Nut, Kep, 1/4-20	P12
23. Screw, # 6-32 x 1", R.H.	P00050	54. Bracket, Overflow Hose	P22
24. Washer Flat, # 6	P03562	55. Filter System, Everpure QC-4 (Incl. Mtg. Bkt. & Item 56)	P16986
25. Switch, Overflow.	P05844	56. Cartridge, Everpure 4-H	P16691
25A Harness Ass'y (Incl. Items 25 & 15)	A18748	57. Elbow, 3/8 MPT x 3/8 Flare Tube	P06225
26. Nut, Twin, # 6	P01179	58. Tube Ass'y.	A22217
27. Float.	P04732	59. Tube Ass'y.	A22218
28. Chain, Bead	P03654	60. Nut, 3/8 Flare	P00049
29. Sleeve	P03651	61. Water Filter Conversion Kit (Incl. 59—62)	A23374
30. Locking Ass'y, Screw Lock (Incl. Items 31 & 32)	A19426		
31. Bracket, Cage Nut	P18553	KICK PANELS (NOT ILLUSTRATED)	
32. Nut, Cage, 1/2-13	P17592	Kick Panel w/Hardware — Vendo & ARA.	A22211
33. Plate, Vent.	A18796	Kick Panel Only — Vendo & ARA	A22210
34. Nut, Knurled, # 8-32	P05625	Kick Panel w/Hardware — Crown	A22206
35. Valve, Gate (Incl. Items 35A & 35B).	P14924	Kick Panel Only — Crown	A22207
35A Sleeve, Compression.	P13113	Kick Panel w/Hardware — Award	A22496
		Kick Panel Only — Award	A22499



**INTERIOR DOOR
(Shadow Box)**

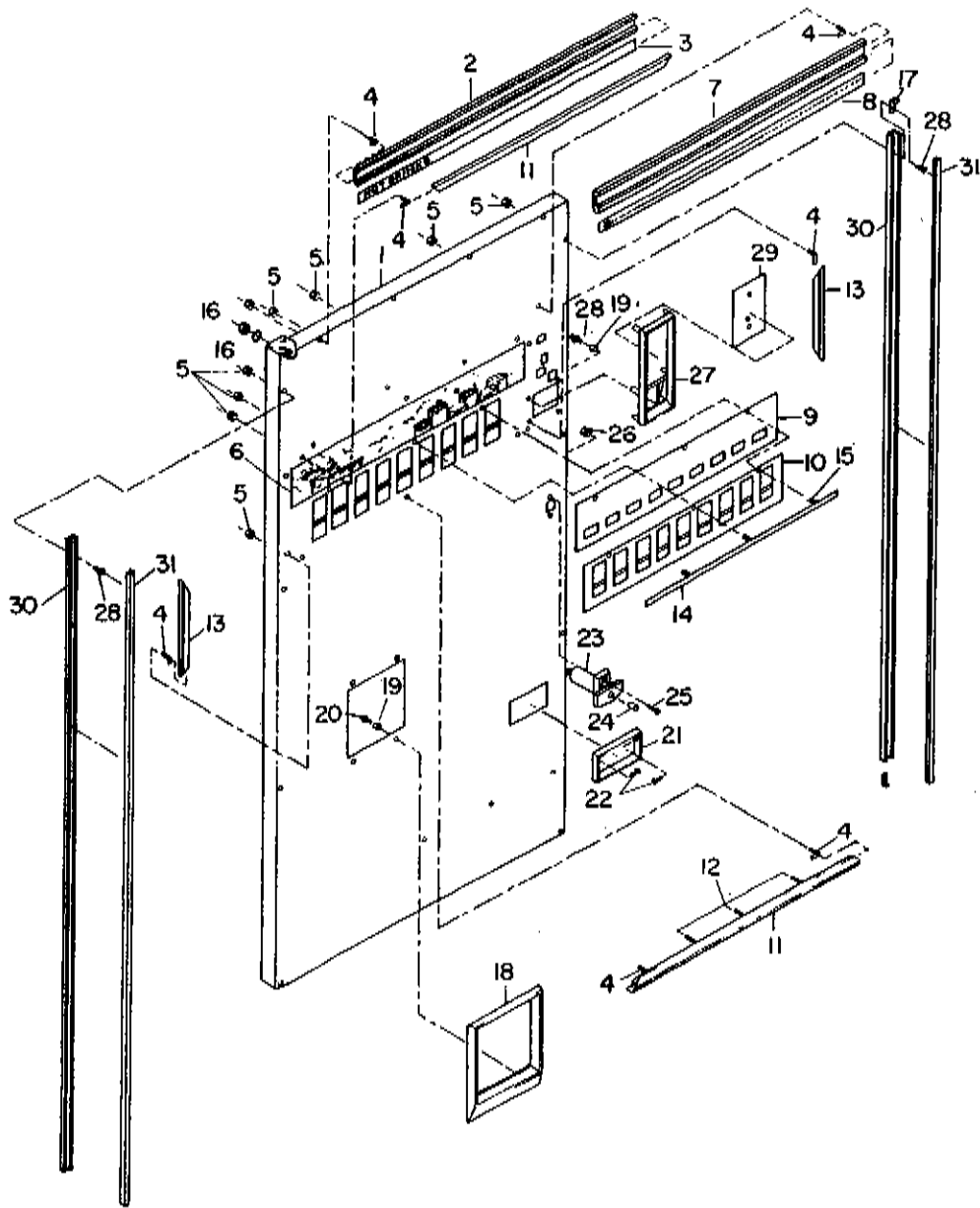
1. Door Only, Shadow Box	A22144	32. Grill, Cup Well	P19773
2. Bracket, Retaining, Coin Chute	P19945	33. Cup Well, Chute & Grill Ass'y (Incl. Items 31 & 32)	A19360
3. Rod, Reject	A18548	34. Door, Cup Well	P19290
4. Pin, Cotter	P16288	35. Light, Indicator, & Lens	P14531
5. Nyliner	P14412	36. Jamb, Shadow Box, L.H.	P22013
6. Washer, 5/16 I.D. x 11/16 O.D.	P10230	37. Jamb, Shadow Box, R.H.	P22011
7. Spring, Compression	P16159	38. Panel, Back	A22150
8. Washer, 17/64 I.D. x 9/16 O.D.	P21916	39. Artwork, Crown	P22155
9. Top, Reject Rod	P19022	39A Artwork, Furniture	P23337
10. Chute, Coin	A18450	40. Back Panel Ass'y w/Crown Artwork (Incl. 38 & 39)	A23338
11. Cover, Coin Chute	A18452	40A Back Panel Ass'y w/Furniture Artwork (Incl. 38 & 39A)	A23339
12. Nut, Knurled, #8-32	P05625	41. Screw, #8-32 x 1/4, Pan Hd.	P14487
13. Screw, #8-32 x 1/4, Pan Hd.	P11073	42. Clamp, Diffuser	P22147
14. Wire, Coin Return Well Door	P21272	43. Diffuser, Shadow Box	P22151
15. Spacer, Coin Return Well Door	P14132	44. Trim, Artwork, Top, 3/8	P22153
16. Door, Coin Return	P18552	45. Bracket, R.H., Lamp Socket	P18998
17. Catch, R.H.	P08805	46. Bracket, L.H., Lamp Socket	P19012
18. Spring, Catch	P09023	47. Screw, #6-32 x 3/8, Pan Hd.	P16492
19. Palnut, 1/4"	P05682	48. Nut, Keps, #6-32	P11745
20. Box, Cash	A19731	49. Socket, Fluorescent Lamp	P00935
21. Angle, Anti-Theft	P22249	50. Screw, #4-40 x 7/16, Type F., R.H.	P16187
22. Screw, #8-32 x 3/8", H.H., Type F.	P14806	51. Socket, Starter	P00944
23. Bracket, Lock Locator	P22182	52. Starter	P05074
24. Nut, Kep, #8-32	P11749	53. Bracket, Ballast & Starter Mounting	P22152
25. Screw, #8-32 x 3/8", P.H.	P14491	54. Ballast	P21956
26. Catch, L.H.	P08804	55. Wiring Ass'y, Fluorescent Lamp (Items 45-54)	A22024
27. Cup Well	A18740	56. Lamp, Fluorescent	P08676
28. Cup Chute	A16931		
29. Retarder, Cup	A12436		
30. Cup Chute & Retarder Ass'y (Incl. Items 28 & 29)	A23105		
31. Cup Well & Chute Ass'y (Incl. Items 12, 27 & 30)	A19359		





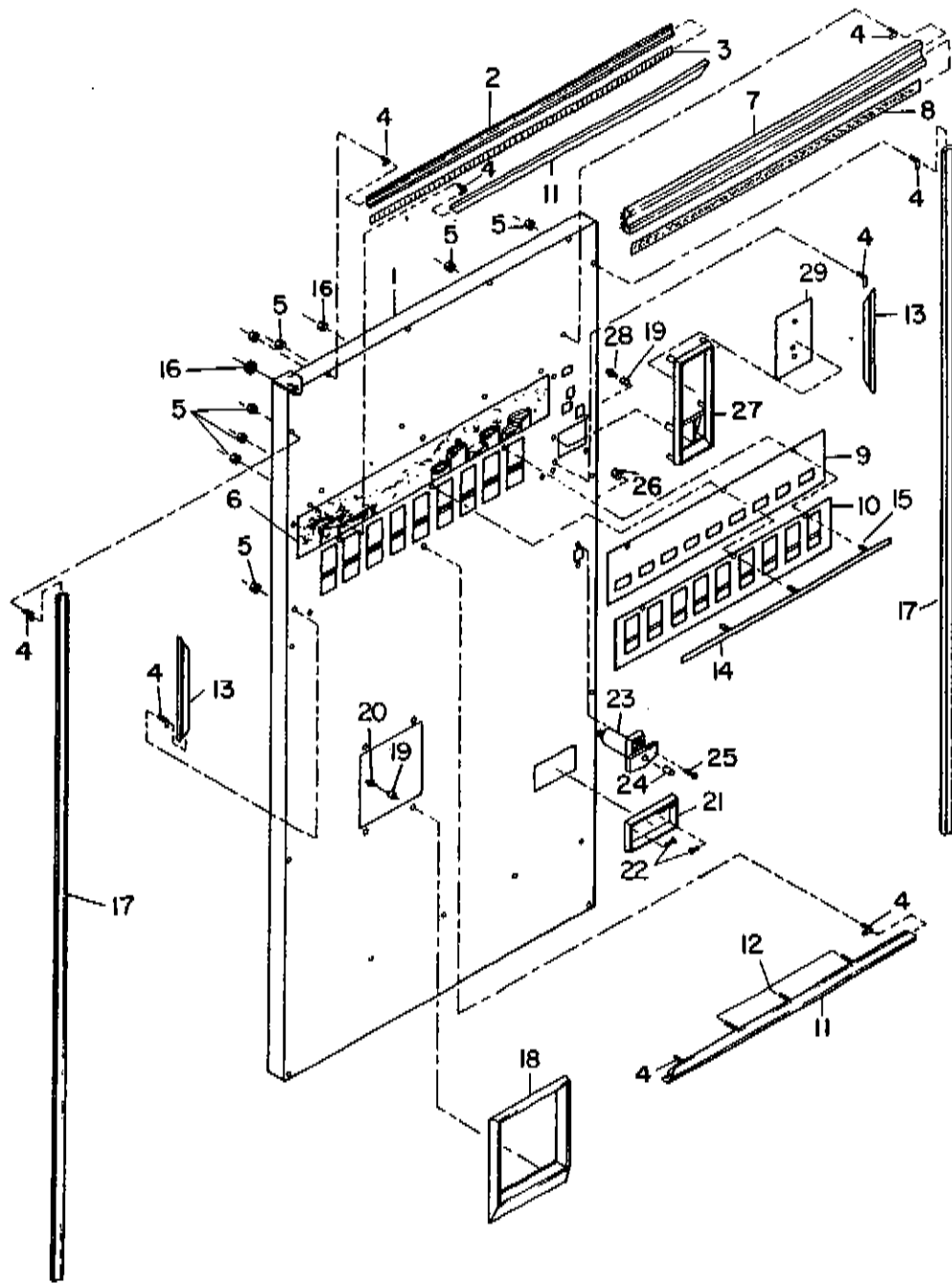
**INTERIOR DOOR
(Non-Shadow Box)**

1. Door Only, Crown or Furniture, Non-Shadow Box	A21755	18. Spring, Catch	P09023
1A Door, Only, Award	A21756	19. Palnut, 1/8"	P05682
1B Door Only, ARA/Vendo.	A21757	20. Box, Cash	A19731
2. Bracket, Retaining, Coin Chute	P19945	21. Angle, Anti-Theft	P22249
3. Rod, Reject	A18548	22. Screw, #8-32 x 3/8", H.H., Type F.	P14806
4. Pin, Cotter	P16288	23. Bracket, Lock Locator	P22182
5. Nyliner	P14412	24. Nut, Kep, #8-32	P11749
6. Washer, 5/16 I.D. x 11/16 O.D.	P10230	25. Screw, #8-32 x 3/8", P.H.	P14491
7. Spring, Compression	P16159	26. Catch, L.H.	P08804
8. Washer, 17/64 I.D. x 9/16 O.D.	P21916	27. Cup Well	A18740
9. Top, Reject Rod	P19022	28. Chute, Cup.	A16931
10. Chute, Coin	A18450	29. Retarder, Cup.	A12436
11. Cover, Coin Chute	A18452	30. Cup Chute & Retarder Ass'y (Incl. Items 28 & 29)	A23105
12. Nut, Knurled, #8-32	P05625	31. Cup Well & Chute Ass'y (Incl. Items 12, 27 & 30)	A19359
13. Screw, #8-32 x 1/4, Pan Hd.	P11073	32. Grill, Cup Well	P19773
14. Wire, Coin Return Well Door	P21272	33. Cup Well, Chute & Grill Ass'y (Incl. Items 31 & 32)	A19360
15. Spacer, Coin Return Well Door	P14132	34. Door, Cup Well	P19290
16. Door, Coin Return.	P18552	35. Light, Indicator, & Lens	P14531
17. Catch, R.H.	P08805		



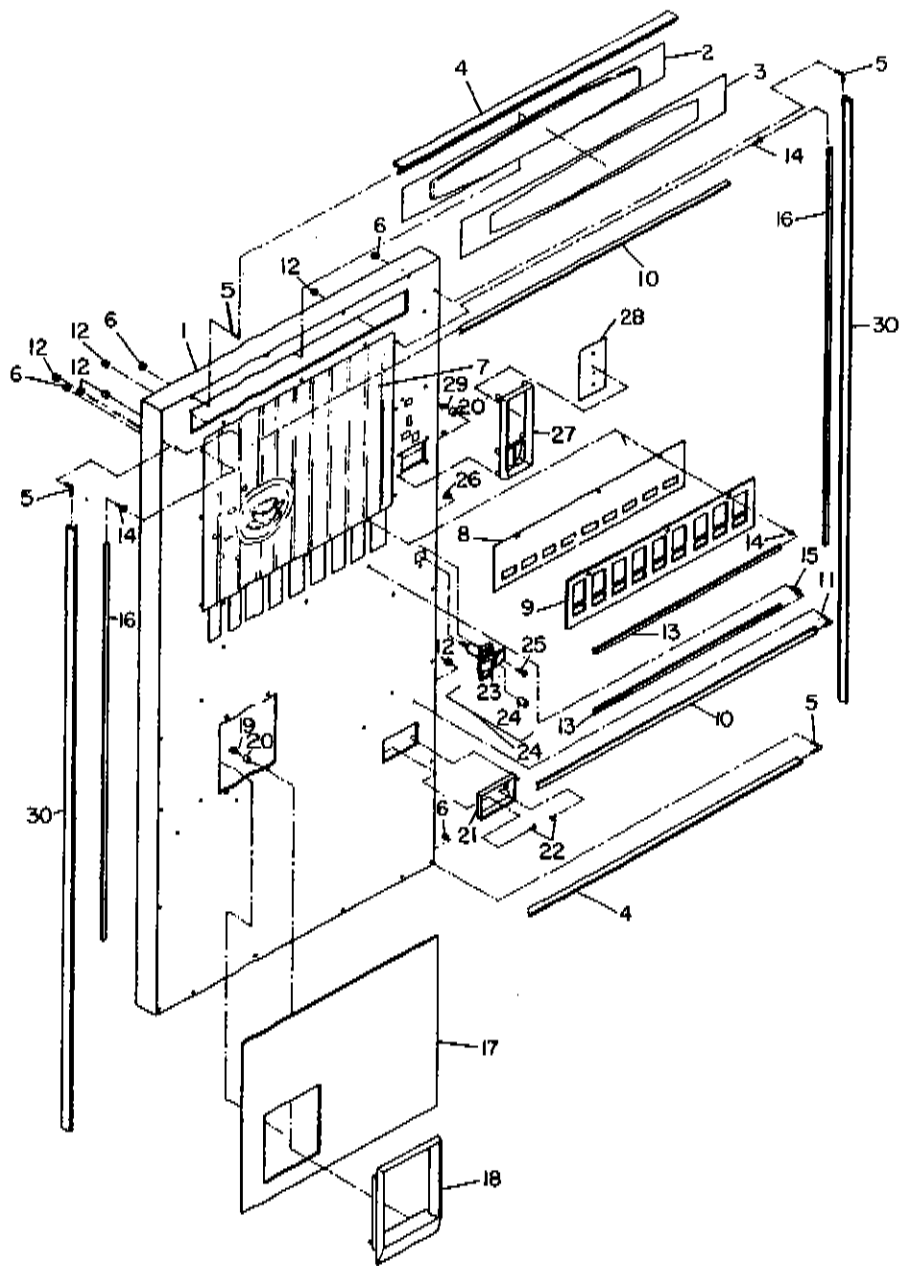
A.R.A. EXTERIOR DOOR

1. Door (Only)	A21757	17. End Cap	P18965
2. Extrusion, Top	P22199	18. Bezel, Cup Well	P17906
3. Insert Ass'y, Top	A22230	19. Ferrule	P19563
4. Screw, Weld, # 6-32 x 1/4"	P14832	20. Screw, # 8-32 x 5/16", P.H., Type F	P19713
5. Nut, Kep, # 6-32	P11745	21. Bezel, Coin Return Well	P17909
6. Artwork	P21781	22. Rivet, Pop	P16749
7. Trim, Center, Horizontal	P21782	23. Lock Ass'y, Screw Type (Less Item 24)	P23397
8. Insert, Center, Screened	P22239	24. Cylinder, Lock (With Key)	P23010
9. Cover & Guide, Selector Panel	P21787	25. Screw, # 10-32 x 3/8", Flat Head	P18448
10. Panel, Selector Button Trim	P21786	26. Nut, Kep # 10-32	P11750
11. Extrusion, Artwork, Top & Bottom	P21766	27. Bezel, Coin Insert & Reject	P17907
12. Screw, Weld, # 6-32 x 1/4"	P16506	28. Screw, # 8-32 x 3/8", H.H., Type F	P14806
13. Extrusion, Artwork, Sides	P18438	29. Label, Instruction	P21835
14. Trim, Center, 3/8"	P21780	30. Trim, Vertical	P18825
15. Screw, # 8-32 x 1/2, B.H.	P22995	31. Cap.	P18896
16. Nut, Kep, # 8-32	P11749		



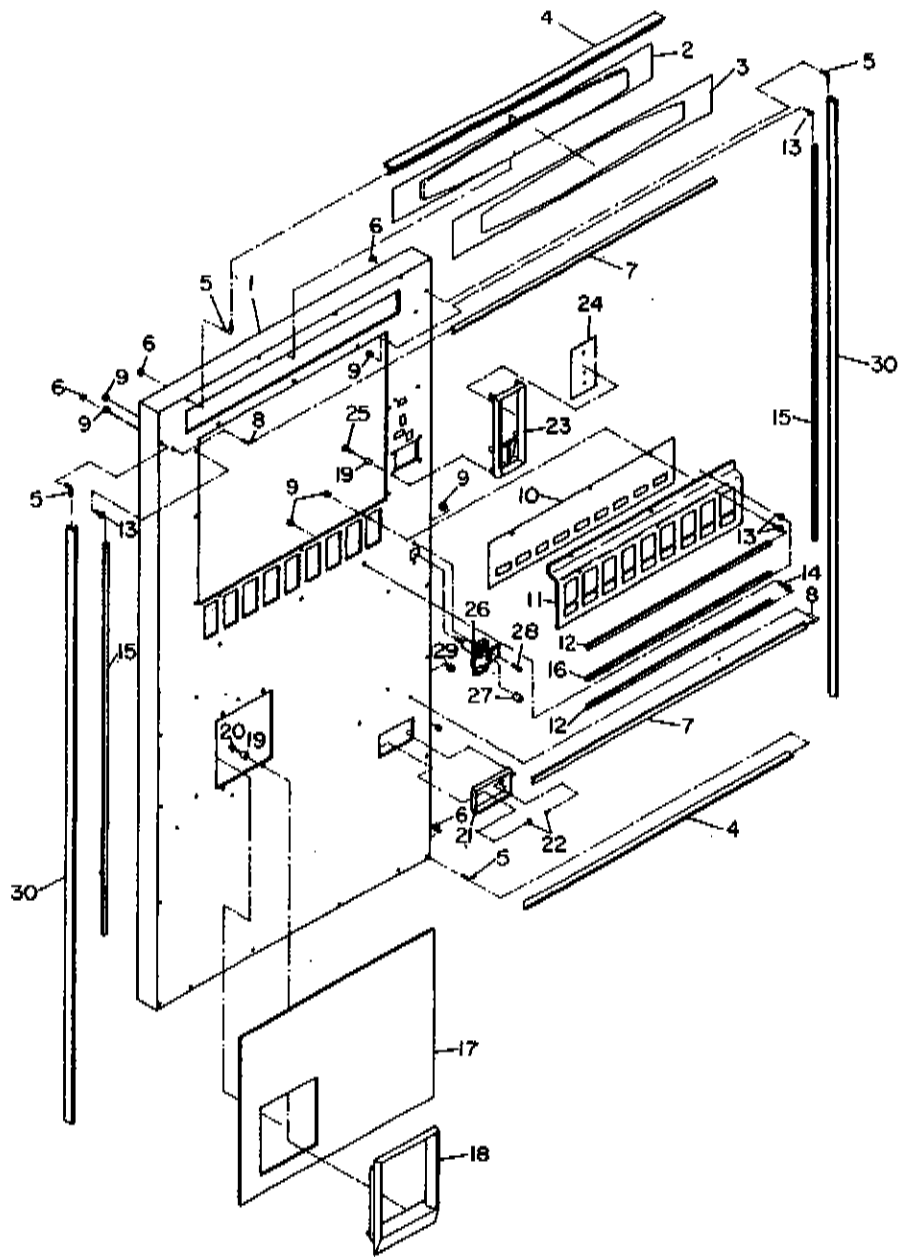
VENDO EXTERIOR DOOR

1. Door (Only)	A21757	16. Nut, Kep, # 8-32	P11749
2. Extrusion, Top	P21783	17. Trim, Side	P18444
3. Insert, Top	A21788	18. Bezel, Cup Well	P17906
4. Screw, Weld, # 6-32 x 1/2"	P14832	19. Ferrule	P19563
5. Nut, Kep, # 6-32	P11745	20. Screw, # 8-32 x 5/16, Pan Hd., Type F	P19713
6. Artwork	P21781	21. Bezel, Coin Return Well	P17909
7. Trim, Center Horizontal	A21782	22. Rivet, Pop	P16749
8. Insert, Center, Screened	P21785	23. Lock Ass'y, Screw Type (Less Item 24)	P23397
9. Cover & Guide, Selector Panel	P21787	24. Cylinder, Lock (With Key)	P23010
10. Panel, Selector Button Trim	P21786	25. Screw, # 10-32 x 3/8", F.H.	P18448
11. Extrusion, Artwork, Top & Bottom	P21766	26. Nut, Kep, # 10-32	P11750
12. Screw, Weld, # 6-32 x 1 1/4	P16506	27. Bezel, Coin Insert & Reject	P17907
13. Extrusion, Artwork, Sides	P18438	28. Screw, # 8-32 x 3/8, H.H., Type F	P14806
14. Trim, Center, 3/8"	P21780	29. Label, Instructions.	P21835
15. Screw, # 8-32 x 1/2, B.H.	P22995		



**CROWN EXTERIOR DOOR
(Non-Shadow Box)**

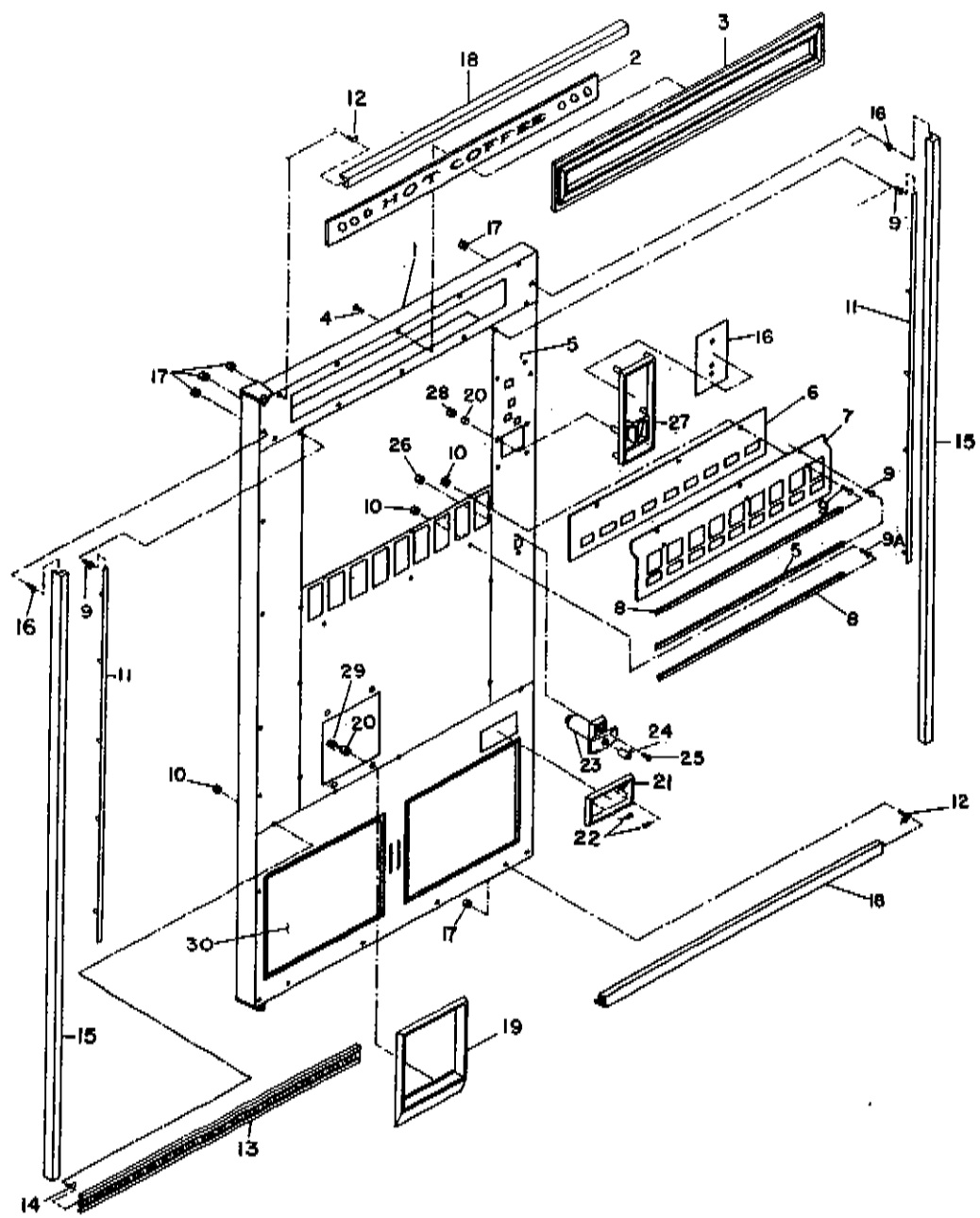
1. Door (Only) — Specify Color	A21755	16. Trim, Sides, Vertical, 3/8"	P18886
2. Sign, Coffee	P18040	17. Panel, Cup Well	P21820
3. Panel, Overlay	P21809	18. Bezel, Cup Well	P17906
4. Trim, Door, Top & Bottom	P21803	19. Screw, #8-32 x 5/16, Pan Hd., Type F	P19713
5. Screw, Weld, #8-32 x 1/2	P14832	20. Ferrule	P19563
6. Nut, Kep, #6-32	P11745	21. Bezel, Coin Return Well	P17909
7. Artwork	P21154 <i>18500</i>	22. Rivet, Pop	P16749
8. Cover & Guide, Selector Panel	P21808	23. Lock Ass'y, Screw Type (Less Item 24)	P23397
9. Panel, Selector	P21807	24. Cylinder, Lock (With Key)	P23010
10. Trim	P21784	25. Screw, #10-32 x 3/4, F.H.	P18448
11. Screw, Weld, #8-32 x 1/2	P16709	26. Nut, Kep, #10-32	P11750
12. Nut, Keps, #8-32	P11749	27. Bezel, Coin Insert	P17907
13. Trim, Center, 3/8"	P22092	28. Label, Instruction	P21837
14. Screw, #8-32 x 1/2, B.H.	P22995	29. Screw, #8-32 x 3/8, H.H., Type F	P14806
15. Screw, #8-32 x 1 1/4, B.H.	P22996	30. Trim, Sides, Vertical	P17902



CROWN SHADOW BOX EXTERIOR DOOR

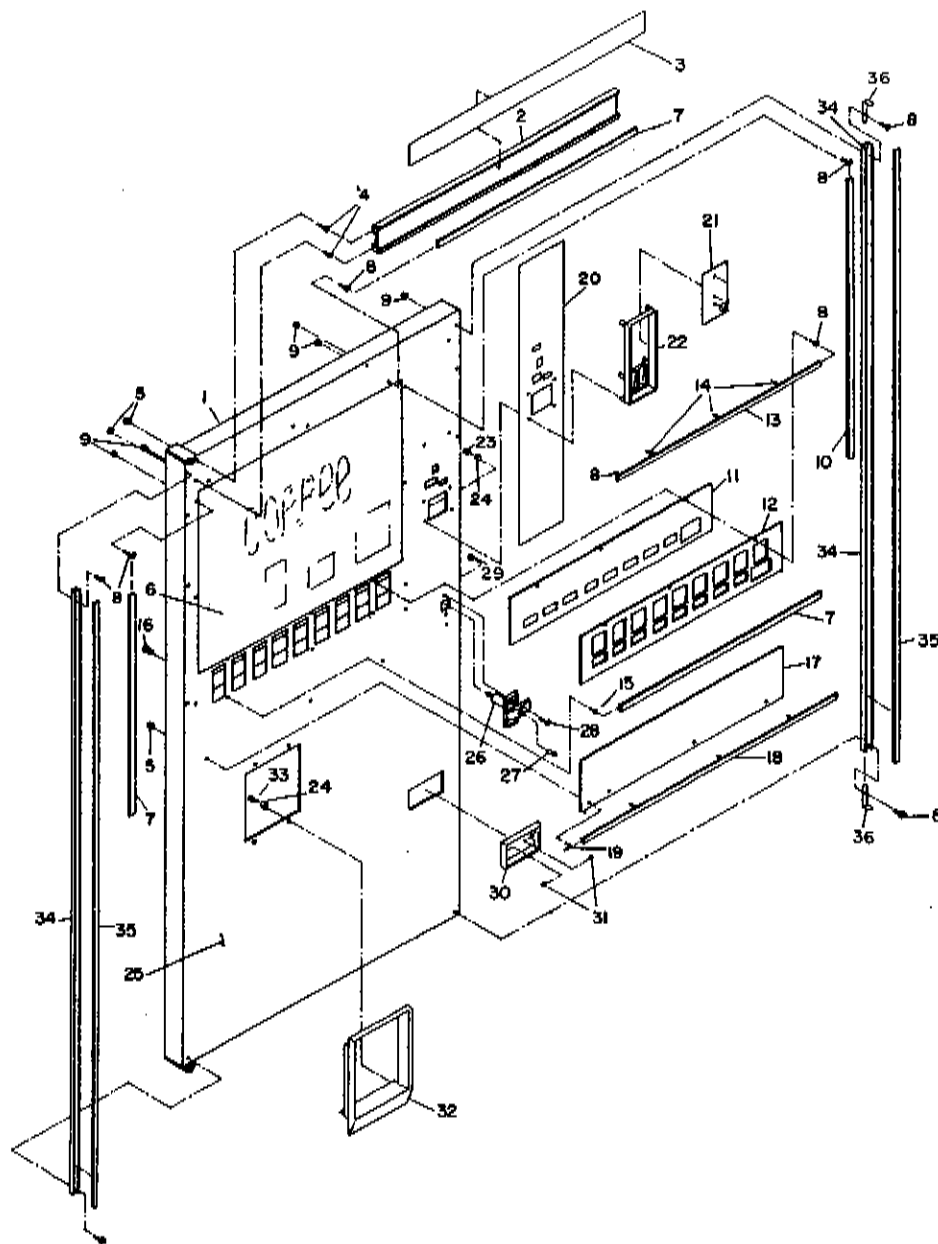
1. Door Only	A22144	16. Trim, Bottom of Artwork, 3/8"	P22153
2. Sign, Coffee	P18040	17. Panel, Cup Well	P21820
3. Panel, Overlay	P21809	18. Bezel, Cup Well	P17906
4. Trim, Door, Top & Bottom	P21803	19. Ferrule	P19563
5. Screw, Weld, #8-32 x 1/2"	P14832	20. Screw, #8-32 x 5/16", P.H., Type F	P19713
6. Nut, Kep, #8-32	P11745	21. Bezel, Coin Return Well	P17909
7. Trim	P21784	22. Rivet, Pop	P16749
8. Screw, Weld, #8-32 x 1/2"	P16709	23. Bezel, Coin Insert & Reject	P17907
9. Nut, Kep, #8-32	P11749	24. Label, Instruction	P21837
10. Cover & Guide, Selector Panel	P21808	25. Screw, #8-32 x 3/8", H.H., Type F	P14806
11. Panel, Selector	P22146	26. Lock Ass'y, Screw Type (Less Item 27)	P23397
12. Trim, Center, 3/8"	P22092	27. Cylinder, Lock (With Key)	P23010
13. Screw, #8-32 x 1/2", B.H.	P22995	28. Screw, #10-32 x 3/4", F.H.	P18448
14. Screw, #8-32 x 1 1/4", B.H.	P22996	29. Nut, Kep, #10-32	P11750
15. Trim, Center, Sides, 3/8"	P18886	30. Trim, Sides, Vertical	P17902

7552



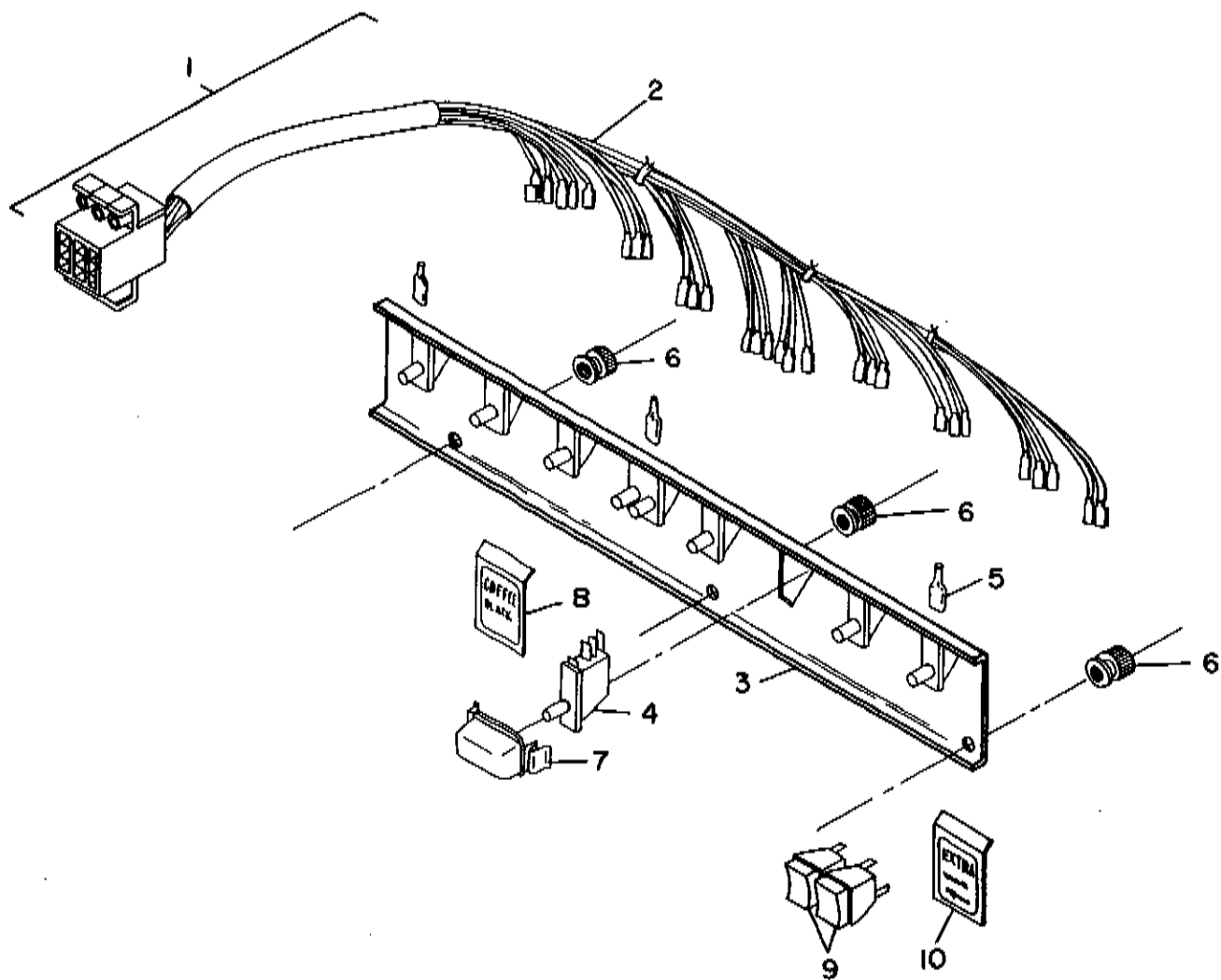
FURNITURE EXTERIOR DOOR

- | | | | |
|--|--------|--|--------|
| 1. Door Only | A21755 | 16. Label, Instruction | P21836 |
| 2. Sign, Coffee | P18488 | 17. Nut, Kep, # 6-32 | P11745 |
| 3. Trim Frame, Sign | P23375 | 18. Trim, Top & Bottom | P23387 |
| 4. Screw, # 8 x 1/2, Pan Hd., Type A | P20676 | 19. Bezel, Cup Well | P17906 |
| 5. Trim, Artwork, Bottom, 3/8" | P22153 | 20. Ferrule | P19563 |
| 6. Cover & Guide, Selector Panel | P21808 | 21. Bezel, Coin Return Well | P17909 |
| 7. Panel, Selector | P22146 | 22. Rivet, Pop | P16749 |
| 8. Trim, Center, 3/8" | P22092 | 23. Lock Assembly, Screw Type (Less Item 24) | P23397 |
| 9. Screw, # 8-32 x 1/2, B.H. | P22995 | 24. Cylinder, Lock (With Key) | P23010 |
| 9A. Screw, # 8-32 x 1/4, B.H. | P22996 | 25. Screw, # 10-32 x 3/4, F.H. | P18448 |
| 10. Nut, Kep, # 8-32 | P11749 | 26. Nut, Kep, # 10-32 | P11750 |
| 11. Trim, Sides, 3/8" | P18888 | 27. Bezel, Coin Insert | P17907 |
| 12. Screw, Weld, # 6-32 x 1/2 | P14832 | 28. Screw, # 8-32 x 3/8, H.H., Type "F" | P18406 |
| 13. Trim, Center Horizontal | A23386 | 29. Screw, # 8-32 x 5/16, P.H., Type "F" | P19713 |
| 14. Screw, Weld, # 8-32 x 1/2 | P16709 | 30. Panel, Bottom | A23209 |
| 15. Trim, Sides, Vertical | P18317 | | |



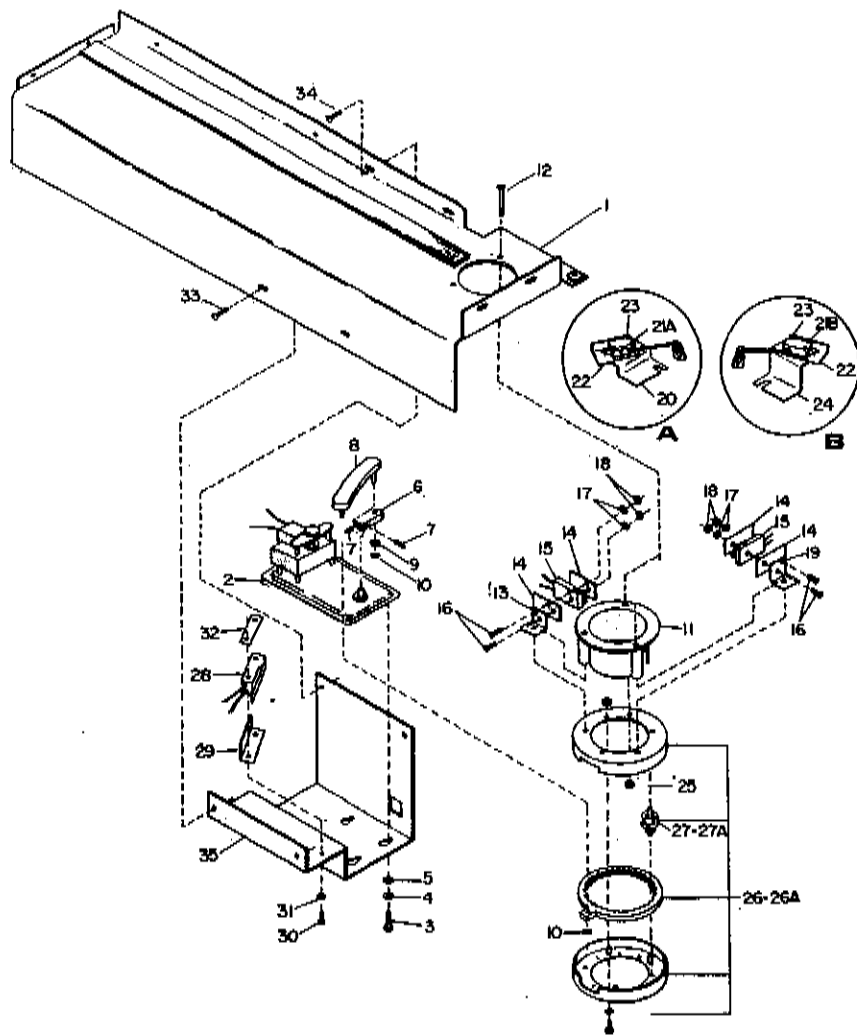
AWARD EXTERIOR DOOR

1. Door (Only) — Specify color	A21756	19. Screw, Weld, #6-32 x 1/2"	P14832
2. Extrusion, Top	P21102	20. Panel, Upper.	P21824
3. Vinyl, Rosewood, 33"x 3"	P22135	21. Label, Coin Insert Instruction	P21834
4. Screw, #6-32 x 3/8, Pan Head	P16492	22. Bezel, Coin Insert	P17907
5. Nut, Keps, #6-32	P11745	23. Screw, #8-32 x 3/8, H.H., Type F	P14806
6. Artwork	P18532	24. Ferrule	P19563
7. Extrusion, Artwork, L.H. Side, Bottom & Top	P18475	25. Vinyl, Rosewood (linear ft.)	P22283
8. Screw, #8-32 x 1/2, B.H.	P22995	26. Lock Ass'y, Screw Type (less item 27).	P23397
9. Nut, Keps, #8-32	P11749	27. Cylinder, Lock (with Key)	P23010
10. Extrusion, Artwork, R.H. Side	P20836	28. Screw, #10-32 x 1/4, Flat Hd.	P18448
11. Cover & Guide, Selector Panel	P21825	29. Nut, Keps, #10-32.	P11750
12. Panel, Selector	P21827	30. Bezel, Coin Return	P17909
13. Trim, 3/8" Wide	P18668	31. Rivet, Pop	P16749
14. Screw, #8-32 x 1/4, B.H.	P22995	32. Bezel, Cup Wall,	P17906
15. Screw, #8-32 x 1/4, B.H.	P22996	33. Screw, #8-32 x 5/16, Type F, Pan Hd.	P19713
16. Nut, Kep, #8-32	P11749	34. Extrusion, Door Sides	P18647
17. Panel, Center	P22258	35. Cap, Vinyl, Extrusion.	P18876
18. Extrusion.	P22101	36. Cap, End	P18965



SELECTOR SWITCH ASSEMBLY

- | | | | |
|--|--------|---|--------|
| 1. Selector Switch Ass'y (Incl. Items 2-5) | A23162 | Label Set, Selection (Crown Line) | A19471 |
| 2. Harness, Selector Switch. | A21715 | Label Set, Selection (ARA & Vendura Line) | A19472 |
| 3. Bracket, Switch Mounting. | P21832 | 9. Switches, Extra Creme & Sugar | P21181 |
| 4. Switch, Selector | P15675 | 10. Label, Extra Creme & Sugar (Award Line) | P20704 |
| 5. Cover, Terminal, .250 | A23161 | Label, Extra Creme & Sugar (Furniture Line) P20702 | |
| 6. Nut, Knurled, #8-32 | P05625 | Label, Extra Creme & Sugar (Crown Line) | P20701 |
| 7. Button, Selector | P20344 | Label, Extra Creme & Sugar | |
| 8. Label Set, Selection (Award Line) | A19470 | (ARA & Vendura Line) | P20703 |
| Label Set, Selection (Furniture Line) | A19469 | | |

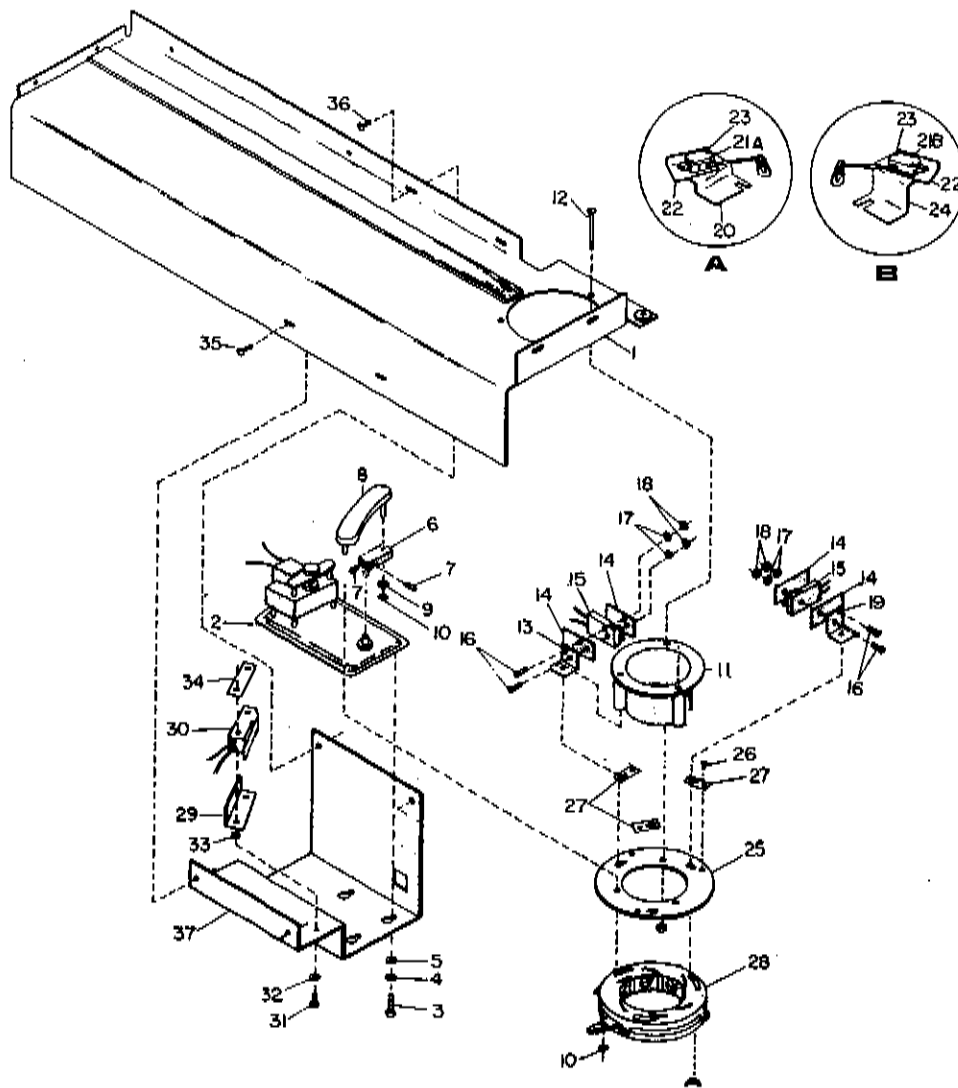


**CUP DISPENSER CUP DROP
Non-Adjustable**

- BASE ASS'Y, 7 oz.
Cup Ring with Item 15 switches. A21862
- BASE ASS'Y, 9 oz.
Cup Ring with Item 15 switches. A23392
- BASE ASS'Y, 7 oz.
Cup Ring with Items 21A & 21B switches . . . A23393
- BASE ASS'Y, 9 oz.
Cup Ring with Items 21A & 21B switches . . . A23394

- 1. Base Only A21858
- 2. Motor, Cup Separator. P16038
- 3. Screw, # 8-32 x 1/4, Pan Hd. P14487
- 4. Washer, Lock, #8 P00167
- 5. Washer, Flat, #8 P00961
- 6. Arm, Crank P15450
- 7. Screw, Set, #8-32 x 3/16 P03272
- 8. Rod, Connecting A16657
- 9. Washer, 1/4 I.D. x 5/8 O.D. P05170
- 10. Push-on P04112
- 11. Throat, Cup Dispenser P16701
- 12. Screw, # 10-32 x 2 1/4, Truss Hd. P16337
- 13. Bracket, Sold Out Switch P16660
- 14. Insulator, Fishpaper P12658
- 15. Switch. P16733
- 16. Screw, R.H.M.S., # 2-56 x 1/4 P16365

- 17. Washer, Lock, # 2 P11603
- 18. Nut, # 2-56. P16367
- 19. Bracket, Spiral Switch P16658
- 20. Bracket, Sold Out Switch (Insert A Style) . . . P22725
- 21A Switch, Sold Out (Insert A Style) A23371
- 21B Switch, Index (Insert B Style) A23370
- 22. Insulator, Fish Paper (Insert A & B Type) . . . P22728
- 23. Screw, 4-40 x 1/2, R.H. Slotted
(Insert A & B Type) P22730
- 24. Bracket, Spiral Switch (Insert B Style). P22724
- 25. Nut, Keps, # 10-32. P11750
- 26. Separator, Lisenr, 7 oz. P16012
- 26A Separator, Lisenr, 9 oz. P16013
- 27. Gear, Worm, Cup, 7 oz. P19362
- 27A Gear, Worm, Cup, 9 oz. P19361
- 28. Switch, Cup Drop Motor. P17081
- 29. Insulator, Fishpaper. P17049
- 30. Screw, # 6-32 x 1 1/4, Rd. Hd. P05688
- 31. Washer, Plated, #6. P00826
- 32. Nut, Tinnerman Twin, #6. P01179
- 33. Screw, # 8-32 x 1/4, Pan Hd. P14487
- 34. Screw, # 8-32 x 3/8, Pan Hd. P14491
- 35. Plate, Mounting. P16671

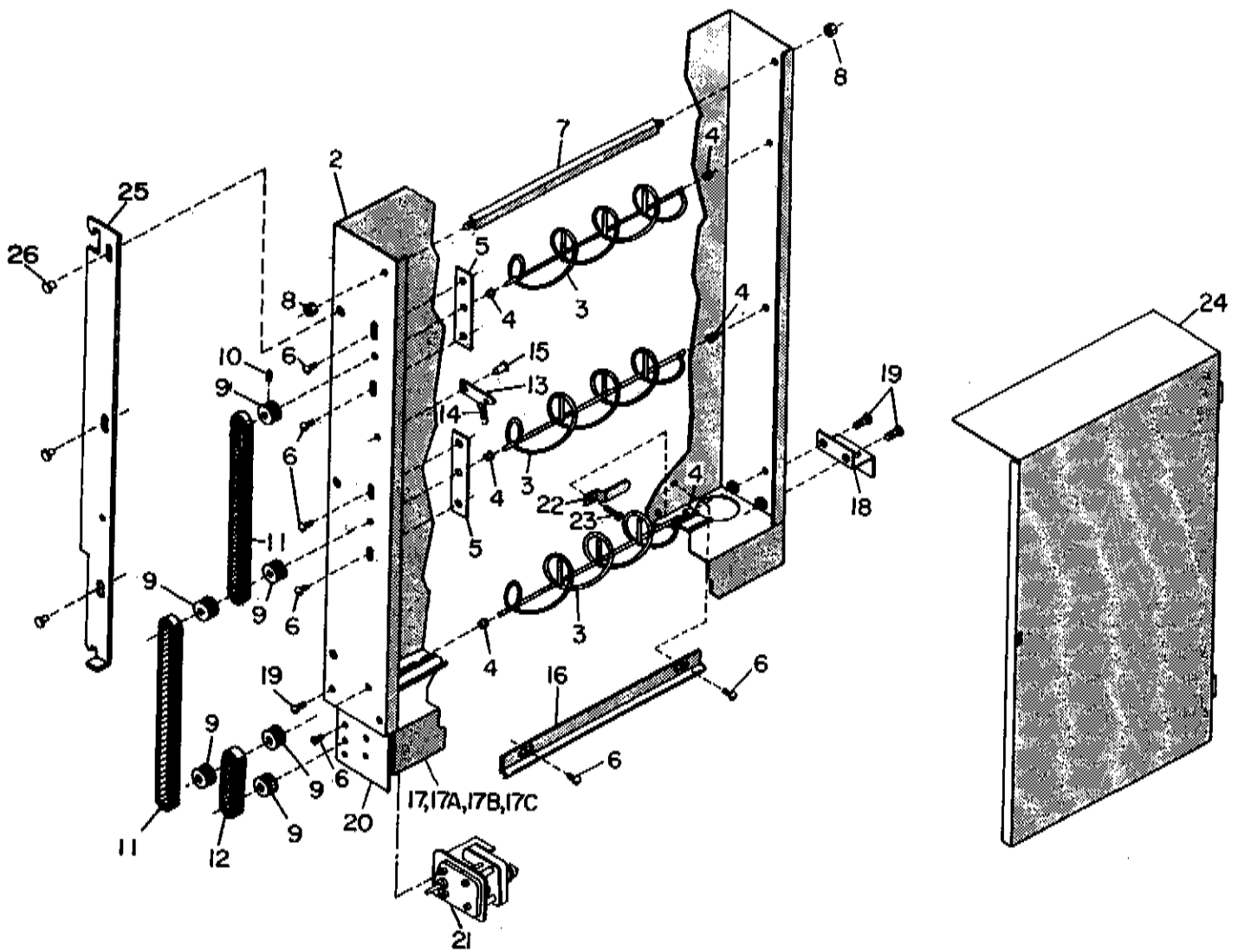


CUP DISPENSER CUP DROP Adjustable

BASE ASS'Y with Item 15 switches A23395
 BASE ASS'Y with Items 21A & 21B switches. A23396

- 1. Base Only A21854
- 2. Motor, Cup Separator. P16038
- 3. Screw, # 8-32 x 1/4, Pan Hd. P14487
- 4. Washer, Lock, # 8 P00167
- 5. Washer, Flat, # 8 P00961
- 6. Arm, Crank P15450
- 7. Screw, Set, # 8-32 x 3/16 P03272
- 8. Rod, Connecting A16657
- 9. Washer, 1/4 I.D. x 5/8 O.D. P05170
- 10. Push-on P04112
- 11. Throat, Cup Dispenser P16701
- 12. Screw, Truss Head, # 10-32 x 2 1/4 P16337
- 13. Bracket, Sold Out Switch P16660
- 14. Insulator, Fishpaper. P12658
- 15. Switch. P16733
- 16. Screw, R.H.M.S., # 2-56 x 1/2 P16365
- 17. Washer, Lock, # 2 P11603
- 18. Nut, # 2-56. P16367

- 19. Bracket, Spiral Switch P16658
- 20. Bracket, Sold Out Switch (Insert A Type) P22725
- 21A Switch, Sold Out (Insert A Type) A23371
- 21B Switch, Index (Insert B Type) A23370
- 22. Insulator, Fishpaper (Insert A & B Type) P22728
- 23. Screw, # 4-40 x 1/2, R.H. Slotted
(Insert A & B Type) P22730
- 24. Bracket, Spiral Switch (Insert B Type) P22724
- 25. Plate, Separator Mounting. P18901
- 26. Screw, Pan Head, # 8-32 x 1/4 P14487
- 27. Clip, Adjustable Screw P18902
- 28. Separator. P18904
- 29. Insulator, Fishpaper. P17049
- 30. Switch, Cup Drop P20825
- 31. Screw, # 6-32 x 1 1/4, Rd. Hd. P05688
- 32. Washer, Plated, # 6. P00826
- 33. Spacer, Nylon. P19152
- 34. Nut, Tinnerman Twin, # 6. P01179
- 35. Screw, # 8-32 x 1/4, Pan Hd. P14487
- 36. Screw, # 8-32 x 3/8, Pan Hd. P14491
- 37. Plate, Mounting. P16671

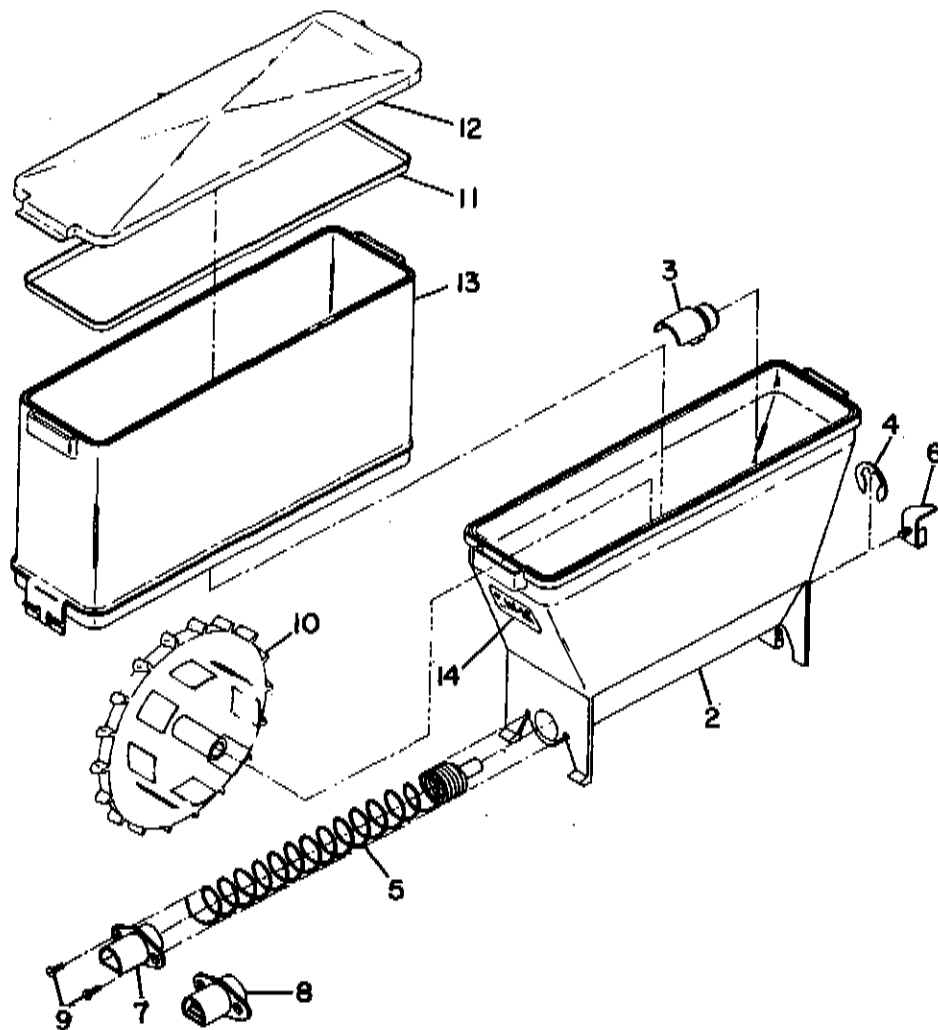


CUP DISPENSER

CUP DISPENSER ASS'Y, 7 OZ. (Incl. Items 1, 17 & 18-24)	A23379
CUP DISPENSER ASS'Y, 9 OZ. (Incl. Items 1, 17A & 18-24)	A23380
CUP DISPENSER ASS'Y, 7 OZ. (Incl. Items 1, 17B & 18-24)	A23381
CUP DISPENSER ASS'Y, 9 OZ. (Incl. Items 1, 17C & 18-24)	A23382
CUP DISPENSER ASS'Y (Incl. Items 1, 17D & 18-24)	A23383
CUP DISPENSER ASS'Y (Incl. Items 1, 17E & 18-24)	A23384

1. Spiral Ass'y, (Incl. Items 2-16)	A21861
2. Wrapper, Cup	A21859
3. Spiral, Cup	P18163
4. Nylon Liner	P09257
5. Plate, Adjusting, Spiral	P16659
6. Screw, #8-32 x 1/4, Pan Hd.	P14487
7. Support, Wrapper	A18557
8. Nut, Kep, #8-32	P11749
9. Ass'y, Pulley (Incl. Item 10)	A12493
10. Screw, Set, #8-32 x 1/4	P21459
11. Belt, Timing (22" Long)	P13795
12. Belt, Timing (10" Long)	P10213

13. Latch, Door	P16689
14. Spring, Door Latch	P14435
15. Rivet, Shoulder	P16769
16. Guide, Side, Cup	P18562
17. Ass'y, Base (7 oz. Cup Ring, Cemco Switches)	A21862
17A Ass'y, Base (9 oz. Cup Ring, Cemco Switches)	A23392
17B Ass'y, Base (7 oz. Cup Ring, Cherry Switches)	A23393
17C Ass'y, Base (9 oz. Cup Ring, Cherry Switches)	A23394
17D Ass'y, Base (Adjustable Cup Ring.) (Cemco Switches)	A23395
17E Ass'y, Base (Adjustable Cup Ring.) (Cherry Switches)	A23396
18. Bracket, Flush Switch	A16670
19. Screw, #8-32 x 3/8, Pan Hd.	P14491
20. Plate, Mounting, Spiral Motor	P16694
21. Motor, Spiral, 18 R.P.M.	P12203
22. Guide, Cup, Bottom	P18173
23. Screw, #8-32 x 1/4, Pan Hd.	P16748
24. Door, Cup Wrapper	A20144
25. Latch Bar, Wrapper	P17059
26. Rivet, Shoulder	P16769



CANISTER ASSEMBLIES

CANISTER ASS'Y, SUGAR (Incl. Items 1, 13 & 14E) (5-14 Select.)	A22568
CANISTER ASS'Y, CREME (Incl. Items 1A, 13 & 14D) (5-14 Select.)	A22562
CANISTER ASS'Y, TEA (Incl. Items 1A & 14C) (9, 10 & 14 Select.)	A22565
CANISTER ASS'Y, SANKA (Incl. Items 1A & 14G) (14 Select. Only)	A22566
CANISTER ASS'Y, COFFEE (Incl. Items 1B, (2) 13 & 14F) (5-14 Select.)	A22567
CANISTER ASS'Y, CHOCO. (Incl. Items 1B, (3) 13 & 14A) (5-14 Select.)	A22564
CANISTER ASS'Y, SOUP (Incl. Items 1B & 14B) (6, 10 & 14 Select.)	A22563
CANISTER ASS'Y, OPTIONAL SUGAR (Incl. Items 1, (2) 13 & 14E)	A22561

2. Canister, Bottom	P20288
3. Bearing, Rear	P20263
4. Ring, Retaining	P20646
5. Auger Ass'y, Commodity	A20645
6. Driver, Auger	P15419
7. Spout, Plain	P20262
8. Spout, Louvered	P20261
9. Screw, #6-32 x 3/8", Flat Hd.	P06136
10. Wheel, Commodity	P20311
11. Seal, Canister, Extruded	P22252
12. Cover, Canister	P20647
13. Extension, Canister	P20290
14. Set, Label (Incl. Items 14A-14G)	A20210
14A Label, Chocolate	P20191
14B Label, Soup	P20192
14C Label, Tea	P20193
14D Label, Light	P20194
14E Label, Sugar	P20197
14F Label, Coffee	P20198
14G Label, Sanka	P20199

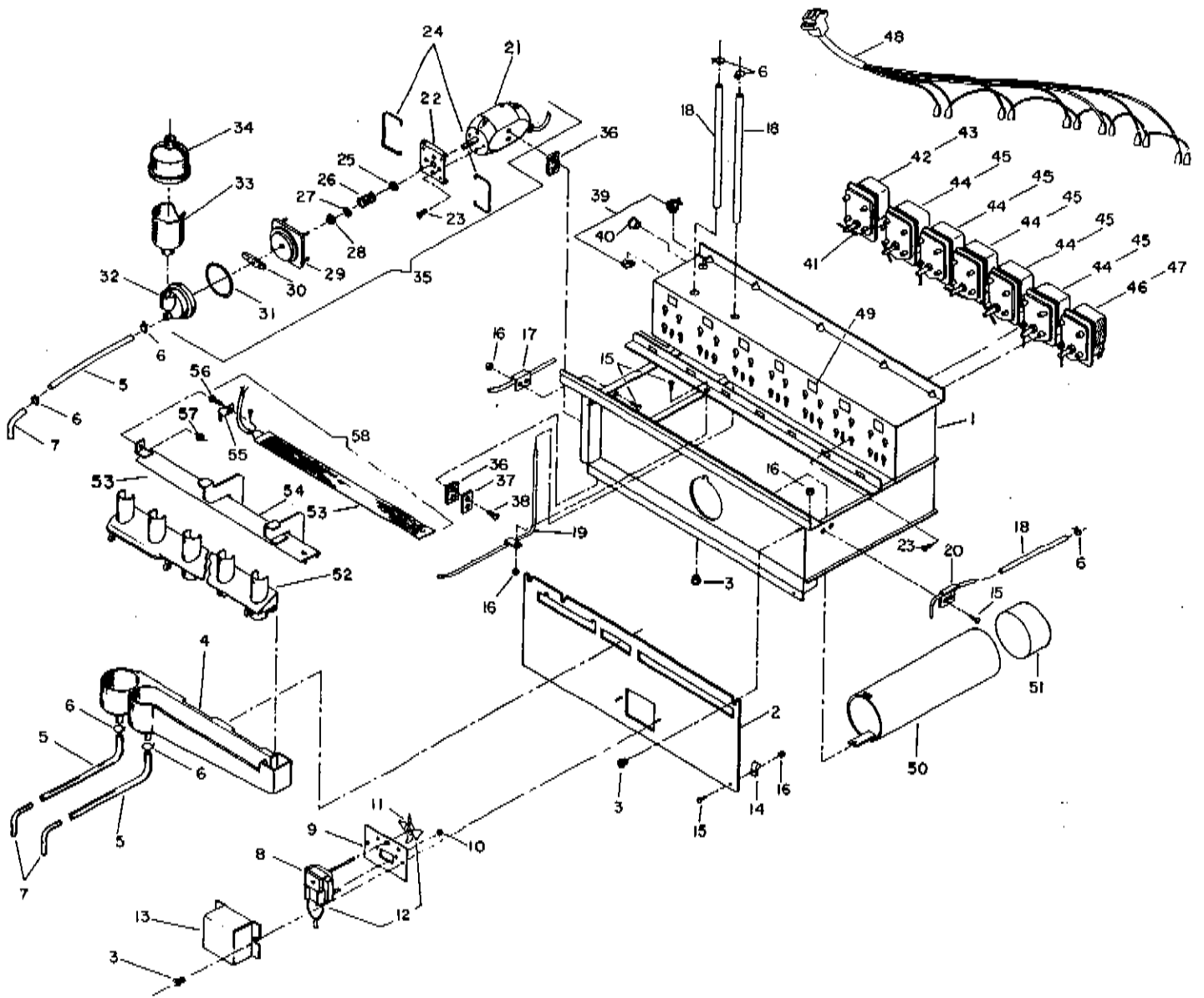
1. Canister Ass'y, Bottom Basic (Less Items 8, 10 & 13-14G)	A22460
1A Canister Ass'y, Bottom Basic (Less Items 7 & 13-14G)	A22470
1B Canister Ass'y, Bottom Basic (Less Items 8 & 13-14G)	A22480

CANISTER RACK

(After 4-1-77)

From Serial Number 00321

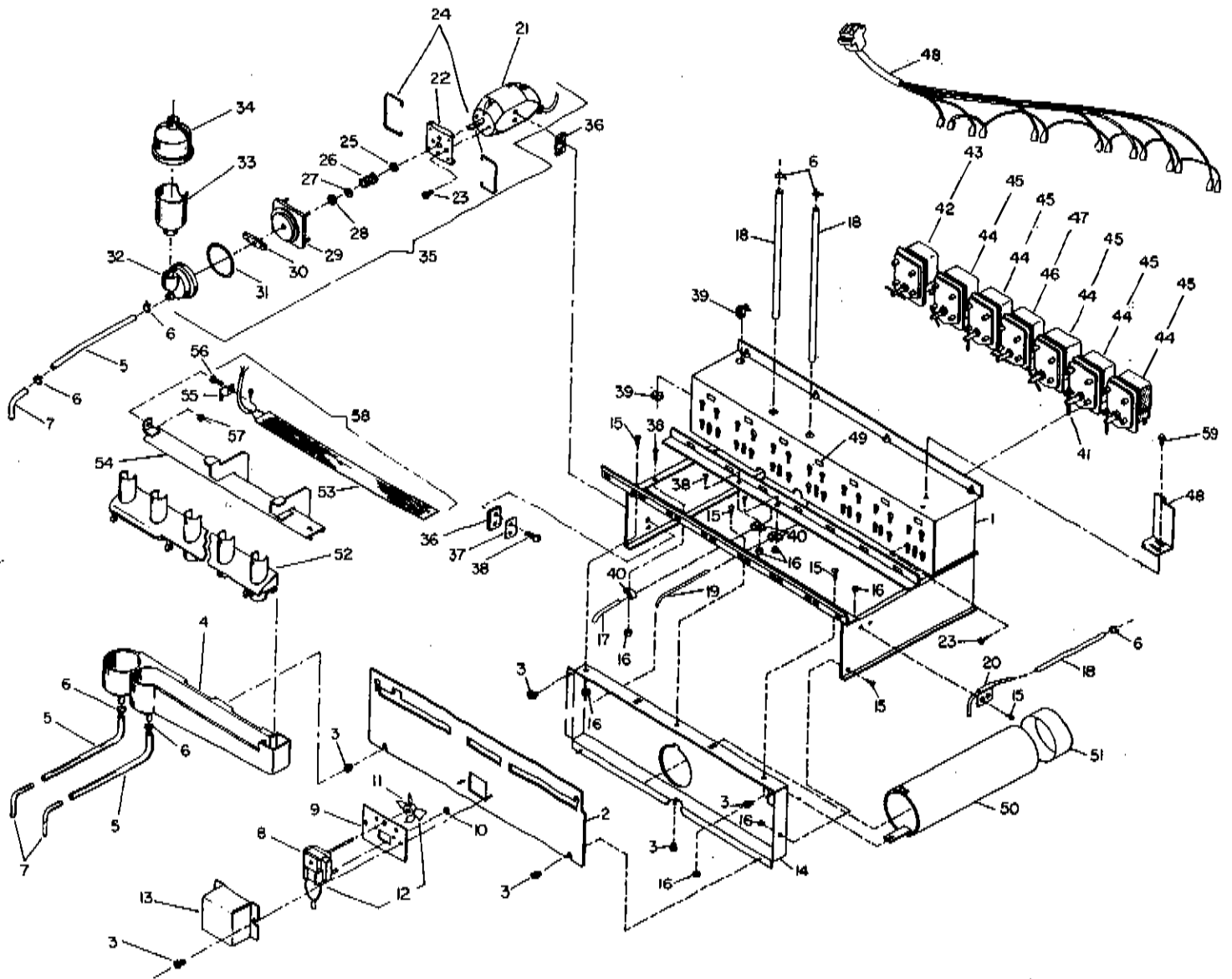
CANISTER RACK ASS'Y, 5 SELECTION (Less Items 53 thru 58)	A23142	31. Ring, "O" (2 1/4 I.D. x 1/8 C.S.)	P13919
CANISTER RACK ASS'Y, 6 SELECTION (Less Items 53 thru 58)	A23143	32. Housing, Outer	P13909
CANISTER RACK ASS'Y, 9 SELECTION (Less Items 53 thru 58)	A23144	33. Funnel, Bottom Entrance	P21203
CANISTER RACK ASS'Y, 10 SELECTION (Less Items 53 thru 58)	A23145	34. Funnel, Top Entrance	P14745
CANISTER RACK ASS'Y, 14 SELECTION (Less Items 53 thru 58)	A23146	35. Whipper Ass'y, Choc. (Incl. Items 21 thru 34)	A16521
1. Rack, Canister	A22648	36. Vibration Pad	P14180
2. Support & Front Plate Ass'y	A22647	37. Plate, Compression	P14181
3. Nut, #8-32, Knurled	P05625	38. Screw, #8-32 x 5/8, Pan Hd.	P16335
4. Trough, Commodity	P21192	39. Clamp, Strain Relief	P00253
5. Tube, Silicone (Choc., Soup, Coffee) (Per Foot)	P19033	40. Bushing, Hole	P22486
6. Clamp, Tubing	P08909	41. Pin, Roll	P15628
7. Spout, Cup Outlet	P18301	42. Motor, 180 RPM	P22731
8. Motor, Exhaust (Wired)	A22626	43. Motor Ass'y, 180 RPM, Choc. Auger (Incl. Items 41 & 42)	A22737
8A Motor, Exhaust (Unwired)	P21884	44. Motor, 100 RPM	P07311
9. Plate, Motor Mounting	P21798	45. Motor Ass'y, 100 RPM, Creme Auger (Incl. Items 41 & 44)	A13999
10. Nut, #10-32, Hex	P11750	Motor Ass'y, 100 RPM, Sugar Auger (Incl. Items 41 & 44)	A13999
11. Blade, Fan	P23121	Motor Ass'y, 100 RPM, Tea Auger (Incl. Items 41 & 44)	A13999
12. Motor Ass'y, Exhaust (Incl. Items 8 thru 11)	A22629	Motor Ass'y, 100 RPM, Soup Auger (Incl. Items 41 & 44)	A13999
13. Cover, Exhaust Motor	P21773	Motor Ass'y, 100 RPM, Sanka Auger (Incl. Items 41 & 44)	A13999
14. Cable Clamp, 3/8", Plastic	P17587	46. Motor, 51 RPM	P14453
15. Screw, #8-32 x 3/8, Pan Hd.	P14491	47. Motor Ass'y, 51 RPM, Coffee Auger (Incl. Items 41 & 46)	A14469
16. Nut, #8-32, Kep	P11749	48. Harness, Canister Rack	A21417
17. Tube Ass'y, Choc. Water	A22628	49. Label, Chocolate	P20191
18. Tubing, PVC (Choc., Soup, Coffee) (Per Foot)	P09146	Label, Soup (6, 10 & 14 Select. Only)	P20192
19. Tube Ass'y, Soup Water (6, 10 & 14 Select. Only)	A22621	Label, Tea (9, 10 & 14 Select. Only)	P20193
20. Tube Ass'y, Tea & Coffee Water	A22631	Label, Light	P20194
21. Motor Ass'y, Choc. Whipper (Wired)	A14001	Label, Sugar	P20197
21A Motor Ass'y, Choc. Whipper (Unwired)	P13913	Label, Coffee	P20198
22. Plate, Mounting	P13914	Label, Sanka (14 Select. Only)	P20199
23. Screw, #8-32 x 1/4, Pan Hd.	P14487	50. Duct Ass'y, Exhaust	A22000
24. Spring, Closing	P13915	51. Extension, Flexible	P22138
25. Slinger	P13918	52. Chute, Commodity	P21147
26. Spring, Seal	P13957	53. Strip, Heater (Wired)	A21709
27. Washer, Seal Retaining	P13959	54. Welded Ass'y, Bracket	A21679
28. Seal, Leather	P13958	55. Clamp, Cable	P00638
29. Housing, Inner	P13910	56. Screw, #6-32 x 3/8, Pan Hd.	P12503
30. Impellor	P13912	57. Nut, #6-32, Kep	P11745
		58. Ass'y, Dehumidity Bar (Incl. Items 53-57)	A21708



**CANISTER RACK
(Prior to 4-1-77)**

For Serial Number 00001 Thru 00320

1. Rack, Canister	A21957	36. Vibration Pad	P14180
2. Support & Front Plate Ass'y	A21983	37. Plate, Compression	P14181
3. Nut, #8-32, Knurled	P05625	38. Screw, #8-32 x 5/8, Pan Hd.	P16335
4. Trough, Commodity	P21192	39. Clamp, Strain Relief.	P00253
5. Tube, Silicone (Choc., Soup, Coffee) (Per Foot)	P19033	40. Clamp, Cable, Plastic, 1/2"	P17588
6. Clamp, Tubing	P08909	41. Pin, Roll	P15628
7. Spout, Commodity Outlet.	P18301	42. Motor, 180 RPM	P22731
8. Motor, Exhaust (Wired)	A22626	43. Motor Ass'y, 180 RPM, Choc. Auger (Incl. Items 41 & 42)	A22737
8A Motor, Exhaust (Unwired)	P21884	44. Motor, 100 RPM	P07311
9. Plate, Motor Mounting	P21798	45. Motor Ass'y, 100 RPM, Creme Auger (Incl. Items 41 & 44)	A13999
10. Nut, #10-32, Hex	P11750	Motor Ass'y, 100 RPM, Sugar Auger (Incl. Items 41 & 44)	A13999
11. Blade, Fan	P23121	Motor Ass'y, 100 RPM, Tea Auger (Incl. Items 41 & 44)	A13999
12. Motor Ass'y, Exhaust (Incl. Items 8 thru 11)	A22629	Motor Ass'y, 100 RPM, Soup Auger (Incl. Items 41 & 44)	A13999
13. Cover, Exhaust Motor	P21773	Motor Ass'y, 100 RPM, Sanka Auger (Incl. Items 41 & 44)	A13999
14. Housing, Duct & Fan	A21964	46. Motor, 51 RPM	P14453
15. Screw, #8-32 x 3/8, Pan Hd.	P14491	47. Motor Ass'y, 51 RPM, Coffee Auger (Incl. Items 41 & 46)	A14469
16. Nut, #8-32, Kep	P11749	48. Support, Commodity Valve	P21895
17. Tube, Choc. Water.	P21776	49. Label, Chocolate	P20191
18. Tubing, PVC (Choc., Soup, Coffee) (Per Foot)	P09146	Label, Soup	P20192
19. Tube, Soup Water	P22103	Label, Tea	P20193
20. Tube Ass'y, Tea & Coffee Water.	A22631	Label, Light	P20194
21. Motor Ass'y, Choc. Whipper (Wired)	A14001	Label, Sugar	P20197
21A Motor Ass'y, Choc. Whipper (Unwired)	P13913	Label, Coffee	P20198
22. Plate, Mounting.	P13914	Label, Sanka.	P20199
23. Screw, #8-32 x 1/4, Pan Hd.	P14487	50. Duct Ass'y, Exhaust.	A22000
24. Spring, Closing	P13915	51. Extension, Flexible	P22138
25. Slinger.	P13918	52. Chute, Commodity	P21147
26. Spring, Seal	P13957	53. Strip, Heater (Wired)	A21709
27. Washer, Seal Retaining	P13959	54. Bracket, Strip Heater	A21679
28. Seal, Leather	P13958	55. Clamp, Cable	P00638
29. Housing, Inner	P13910	56. Screw, #6-32 x 3/8, Pan Hd.	P12503
30. Impellor	P13912	57. Nut, #6-32, Kep	P11745
31. Ring, "O" (2 1/4 I.D. x 1/8 C.S.).	P13919	58. Ass'y, Dehumidity Bar (Incl. Items 53-57)	A21708
32. Housing, Outer	P13909	59. Screw, #8-32 x 3/8, Hex Hd., Type F., S.T.	P14806
33. Funnel, Bottom Entrance	P21203		
34. Funnel, Top Entrance	P14745		
35. Whipper Ass'y, Choc. (Incl. Items 21 thru 34)	A16521		



HOT WATER TANK

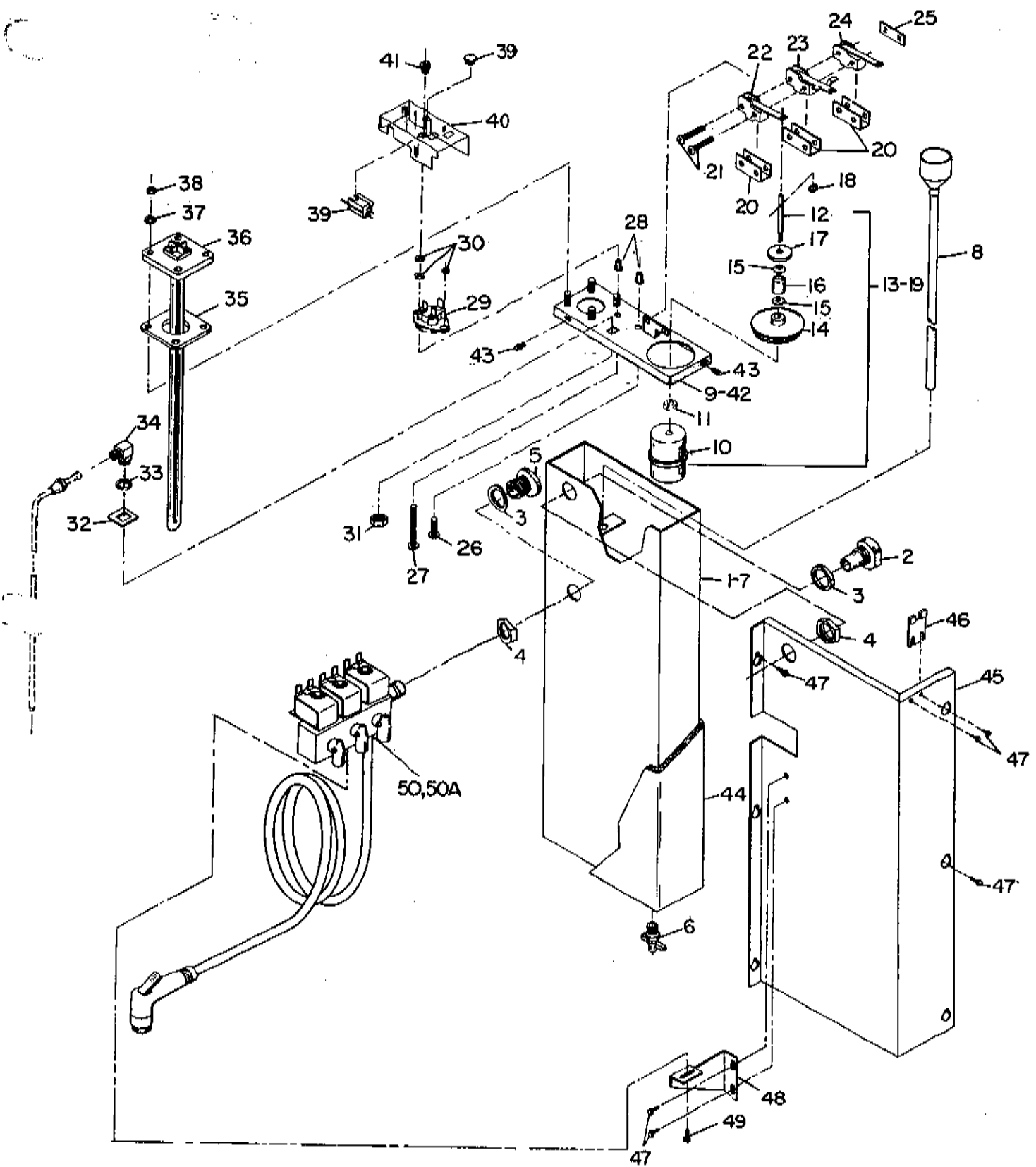
TANK ASS'Y, HOT WATER (6, 10 & 14 Select.) A22774
 TANK ASS'Y, HOT WATER (5 & 9 Select.) A23368

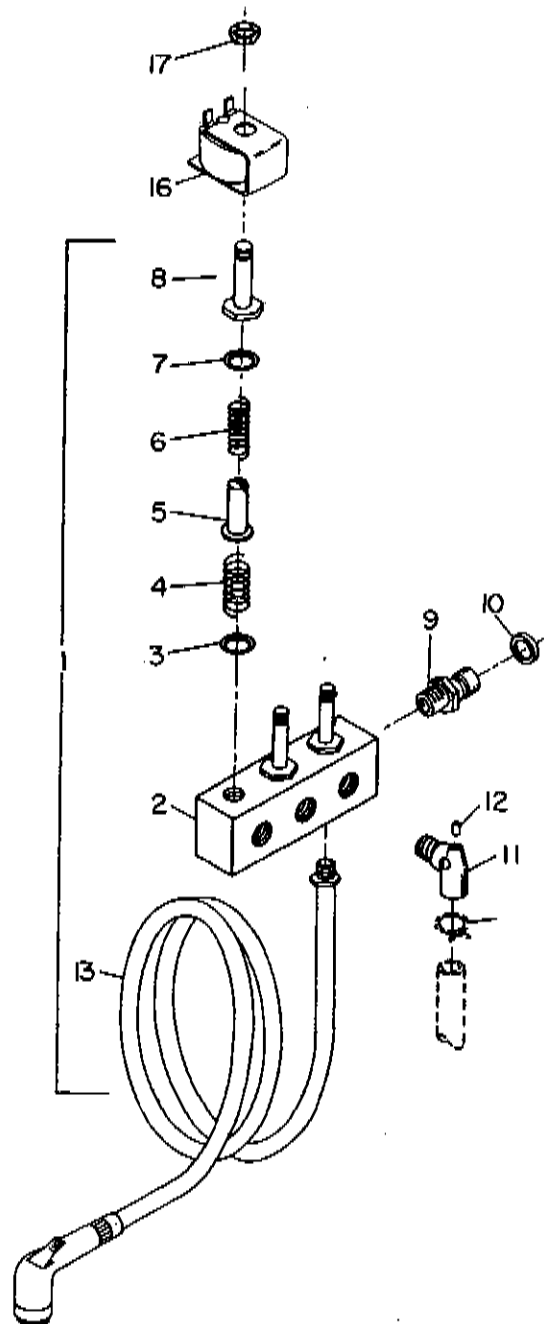
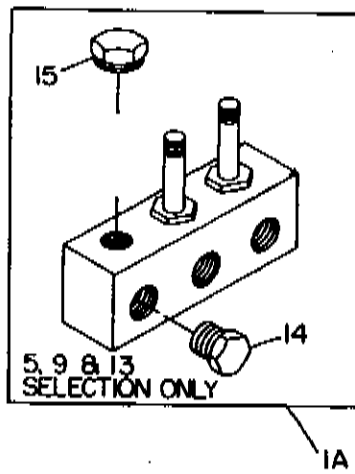
25387

- 1. Welded Ass'y, Tank A21479
- 2. Fitting, Overflow P21135
- 3. Gasket, Fitting P21138
- 4. Nut, Fitting P21137
- 5. Fitting, Adapter P21136
- 6. Petcock, 1/2" M.P.T. P00774
- 7. Tank Ass'y, Basic (Incl. Items 1 thru 6) A23072
- 8. Tube Ass'y, Fill. A22915
- 9. Lid, Tank A21866
- 10. Float P19041
- 11. Nut, Hex (Brass) #8-32 P00046
- 12. Rod, Float P21396
- 13. Ass'y, Float & Rod (Incl. Items 10 thru 12) A21877
- 14. Cover, Access, & Float Guide P19025
- 15. Tinnerman, Push-on P08665
- 16. Protector, Plastic P16079
- 17. Weight, Counter, Brass P20002
- 18. Ring, Cotter P22322
- 19. Float Ass'y, Complete
 (Incl. Items 13 thru 18) A21877
- 20. Insulator, Fishpaper P00784
- 21. Screw, #8-32 x 1 1/4", R.H. P17428
- 22. Switch, Low Water, Sold Out P05844
- 23. Ass'y, Water Inlet Switch A20001
- 24. Switch, Heater P19509

- 25. Nut, Twin, #6 P01179
- 26. Screw, #8-32 x 3/4", P.H. (Brass) P21143
- 27. Screw, #8-32 x 2", P.H. (Brass) P21142
- 28. Standoff P21390
- 29. Thermodisc, 180° P21899
- 30. Nut, Kep, #8-32 P11749
- 31. Nut, Jamb P11025
- 32. Gasket P06396
- 33. Washer, Nylon P19016
- 34. Fitting, Water Inlet P19015
- 35. Gasket P21684
- 36. Heater, Immersion, Flange Type
 (Incl. Item 35) P21801
- 37. Washer, 17/64 I.D. x 9/16 O.D. P21916
- 38. Nut, Kep, 1/4-20 P05682
- 39. Light, Indicator, & Lens P14531
- 40. Cover, Heater & Thermodisc P21829
- 41. Nut, Knurled, #8-32 P14928
- 42. Lid Ass'y, Tank (Incl. Items 9 & 19 thru 41) A23388
- 43. Screw, #8-32 x 3/8, P.H., Type F (410 S.S.) P21685
- 44. Insulation, Fiberglass P13516
- 45. Jacket, Hot Water Tank P21815
- 46. Support, Rinse Hose P21802
- 47. Screw, #8-32 x 3/8, H.H., Type F P14806
- 48. Bracket, Commodity Valve Support P22241
- 49. Screw, #8-32 x 1/4, P.H. P14487
- 50. Valve, Commodity (6, 10 & 14 Select. Only) A23399
- 50A Valve, Commodity, (5 & 9 Select. Only) A23400

11-5-65



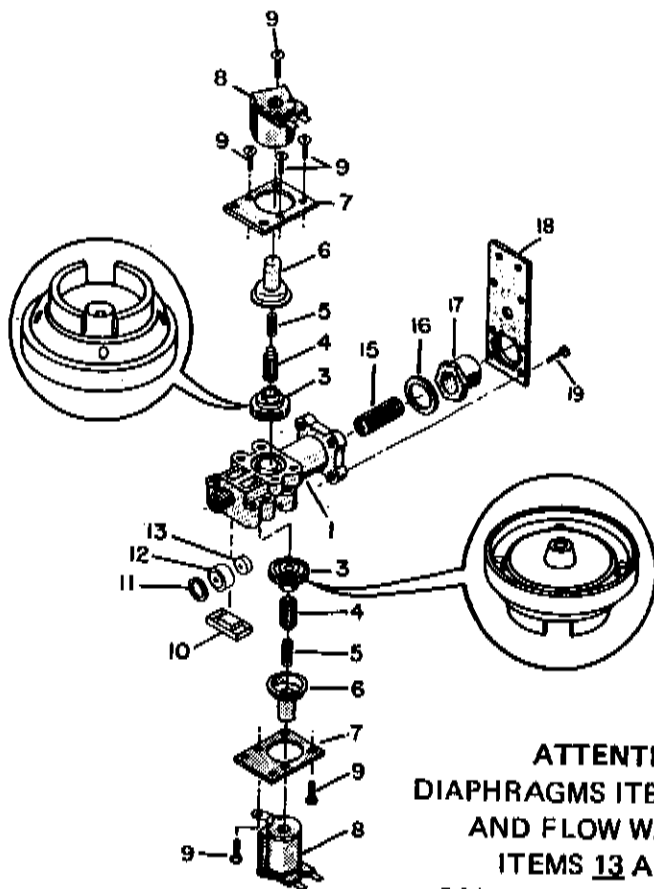


COMMODITY VALVE

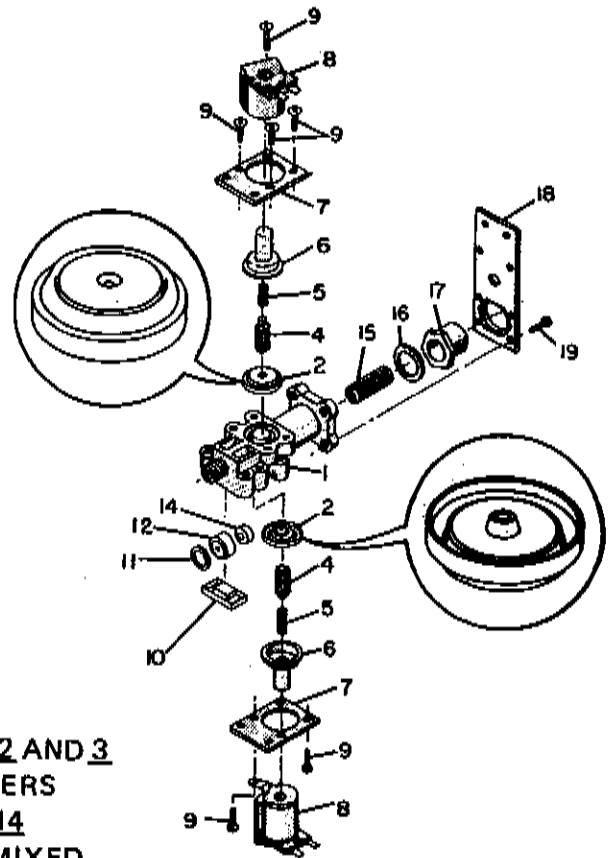
COMMODITY VALVE ASS'Y (6, 10 & 14 Select.)
 (Incl. Items 1, 15 & 16) A23399
 COMMODITY VALVE ASS'Y (5, 9 & 13 Select.)
 (Incl. Items 1A, 15 & 16) A23400

1. Valve Ass'y, Commodity (6, 10 & 14 Select.)
 (Incl. Items 2-13) A21176
 1A Valve Ass'y, Commodity (5, 9 & 13 Select.)
 (Incl. Items 2-15) A22801
 2. Body, Valve P21125
 3. "O" Ring, Plunger Seat P00522
 4. Spring, "O" Ring P00631
 5. Plunger P00632

6. Spring, Plunger P00255
 7. "O" Ring, Sleeve Seal P00519
 8. Sleeve A00240
 9. Adapter P16216
 10. "O" Ring, Adapter P14759
 11. Elbow, Vented (Less Inlet Restrictor) P22094
 12. Screw, Flow Control P22183
 13. Hose, Spray, Ass'y P14494
 14. Plug, 3/8 MPT P06594
 15. Plug, Top P22400
 16. Coil, 120 Volt P05530
 17. Nut, Pal, 1/2 P00247



NO-LIFT TYPE



LIFT TYPE

ATTENTION
 DIAPHRAGMS ITEMS 2 AND 3
 AND FLOW WASHERS
 ITEMS 13 AND 14
 CANNOT BE INTERMIXED

**VALVE ASSEMBLY ~ WATER IN
 120V 50/60 HZ**

COMPLETE ASS'Y "NO LIFT TYPE"
 Mounting Bracket (18) as shown . . . A17370

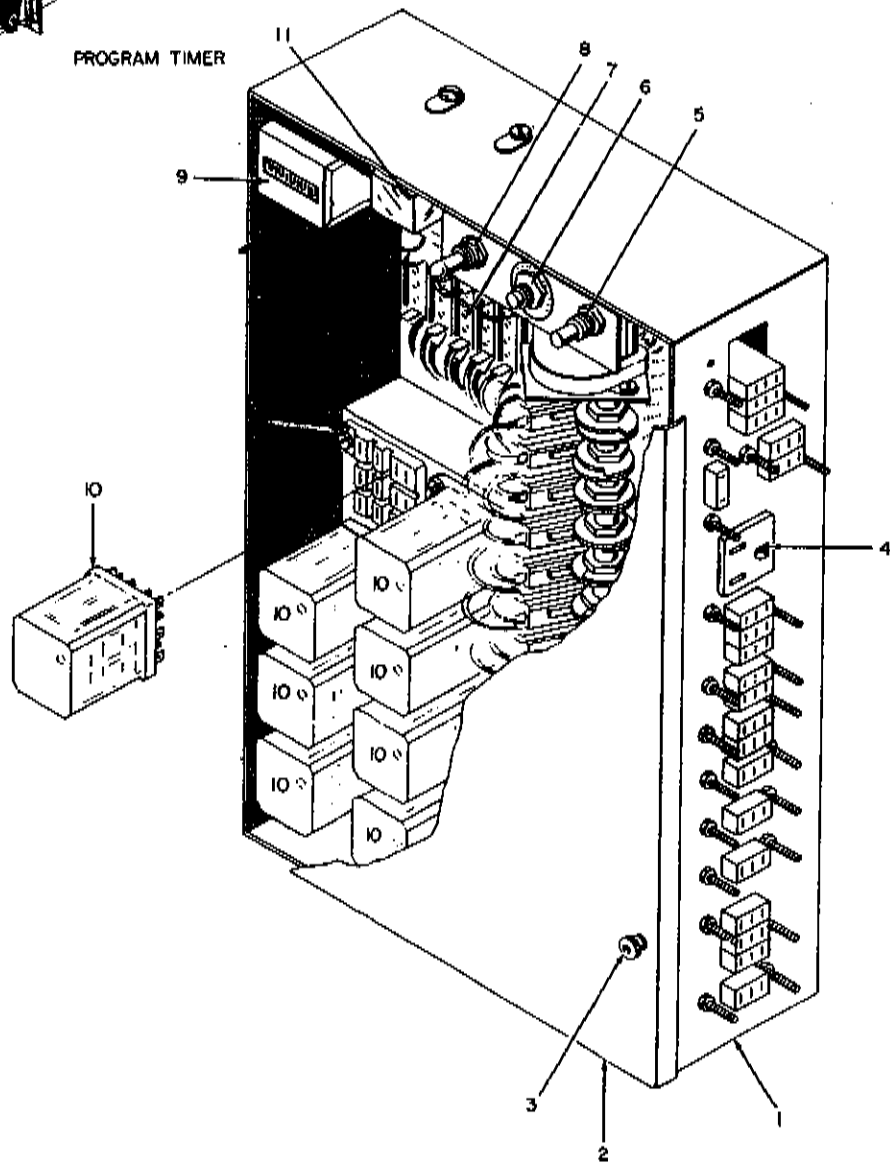
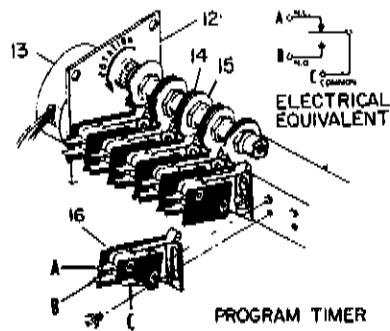
COMPLETE ASS'Y "NO LIFT TYPE"
 Mounting Bracket (18) reversed . . . A17370

- 1. Body, Valve. P16449
- 2. Diaphragm, Lift. P22247
- 3. Diaphragm, No Lift. P16450
- 4. Armature. P16451
- 5. Spring. P16452
- 6. Guide. P16453
- 7. Plate, Hold Down. P16471
- 8. Coil, White. P18116
- 9. Screw. P16493
- 10. Plug, Seal. P16474
- 11. Gasket. P22771

COMPLETE ASS'Y "LIFT TYPE"
 Mounting Bracket (18) as shown . . . A22245

COMPLETE ASS'Y "LIFT TYPE"
 Mounting Bracket (18) reversed . . . A22242

- 12. Insert Flow Washer Seat P19817
- 13. Washer, Flow, 1/16 hole
 Identification Mark "CJ"
 No Lift Type. P16473
- 14. Washer, Flow, 3/32 hole
 Identification Mark "CK"
 Lift Type. P22246
- 15. Screen, Inlet Valve P16476
- 16. Gasket. P16477
- 17. Fitting, Inlet. P16478
- 18. Plate, Mounting. P16479
- 19. Screw, Mounting Plate. P16489

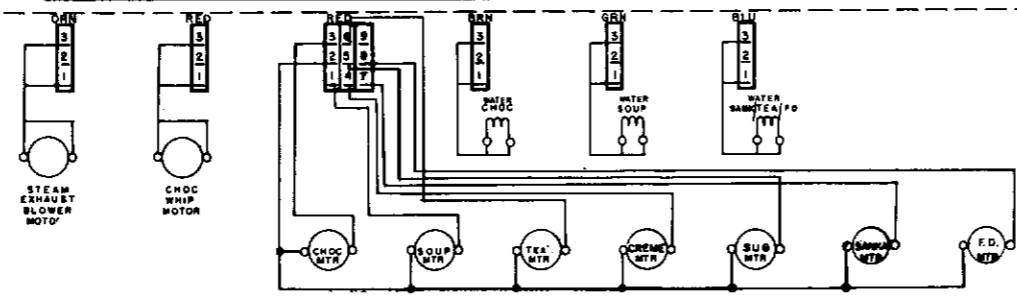
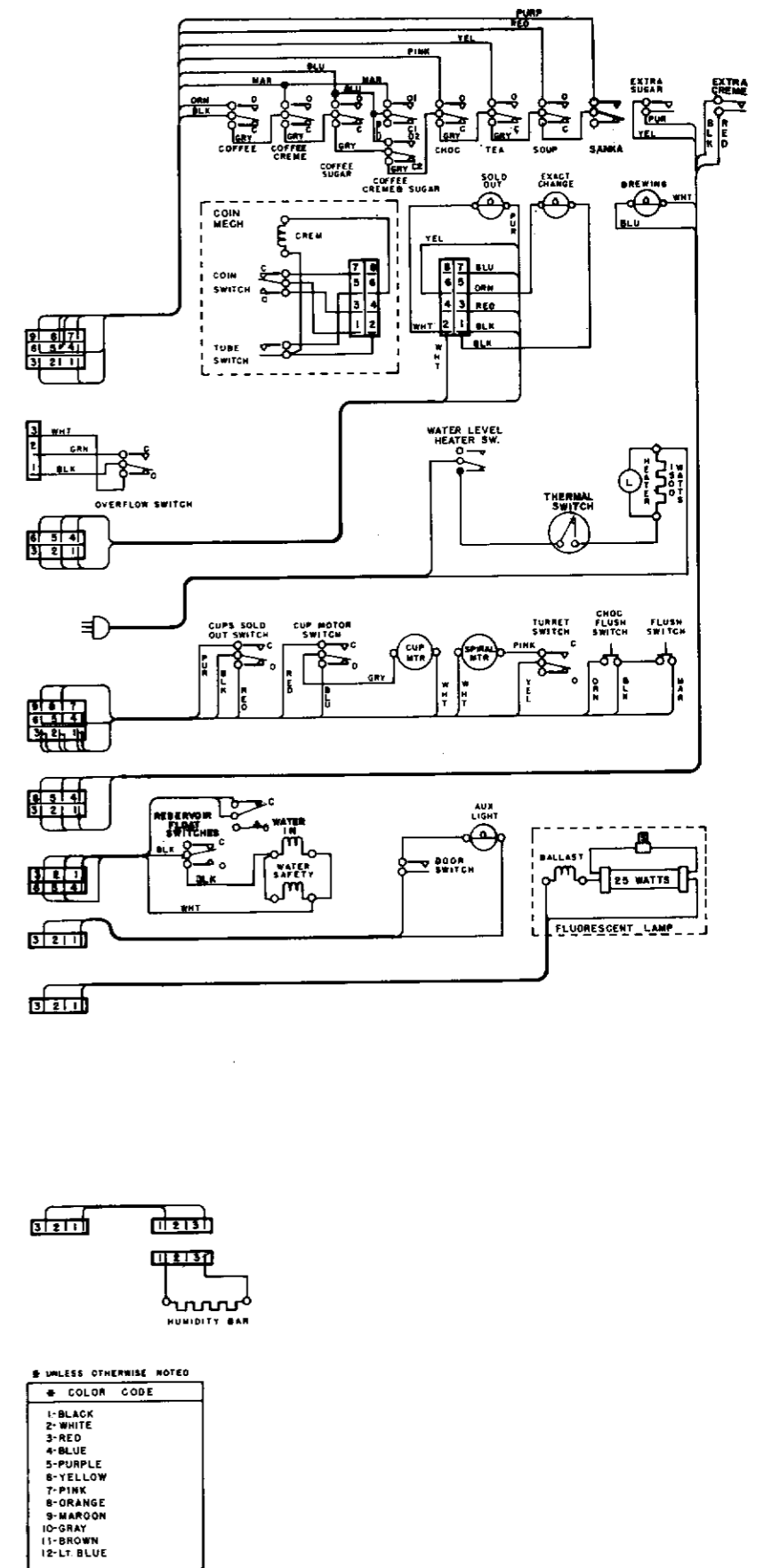
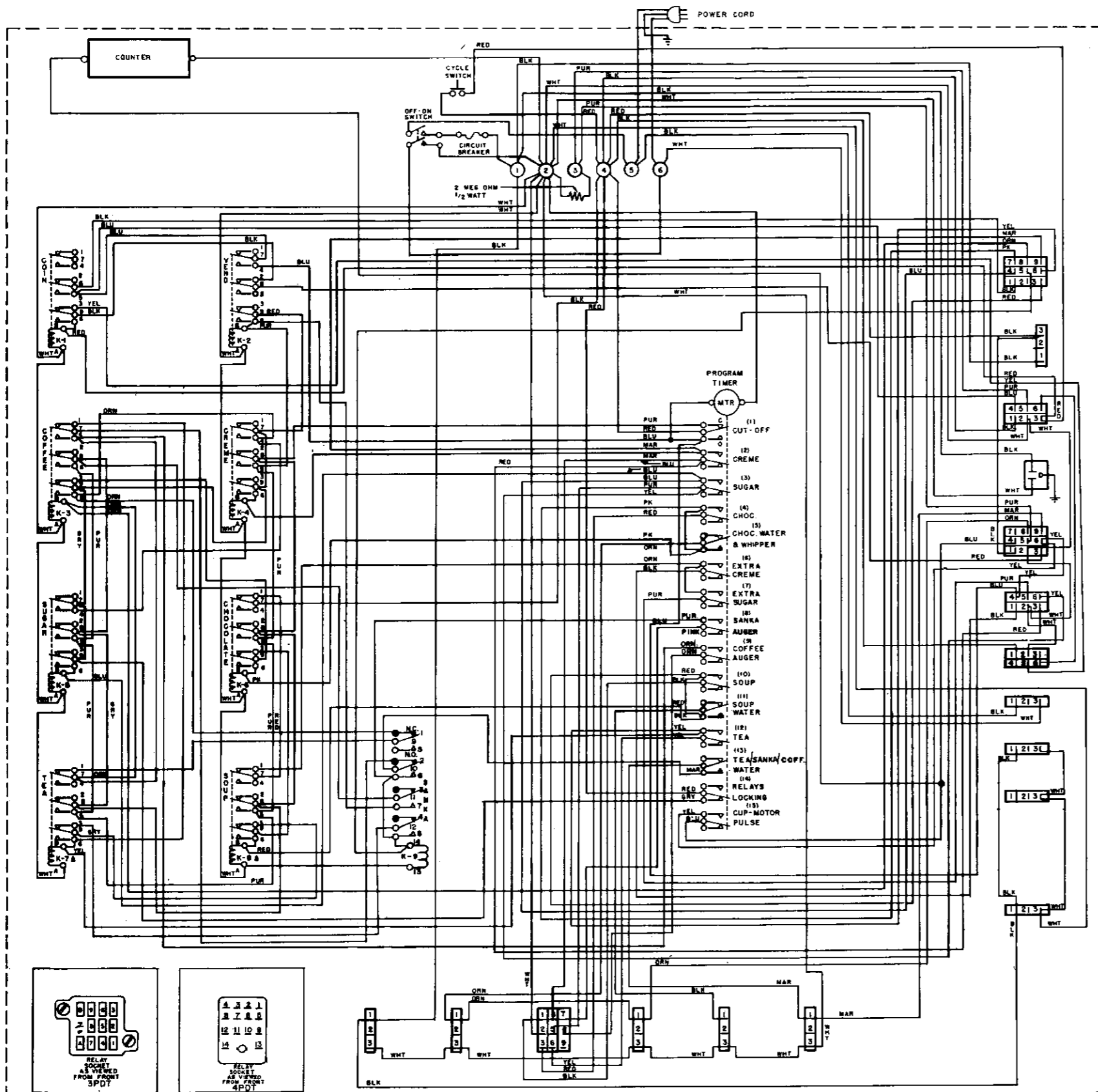


ELECTRICAL BOX

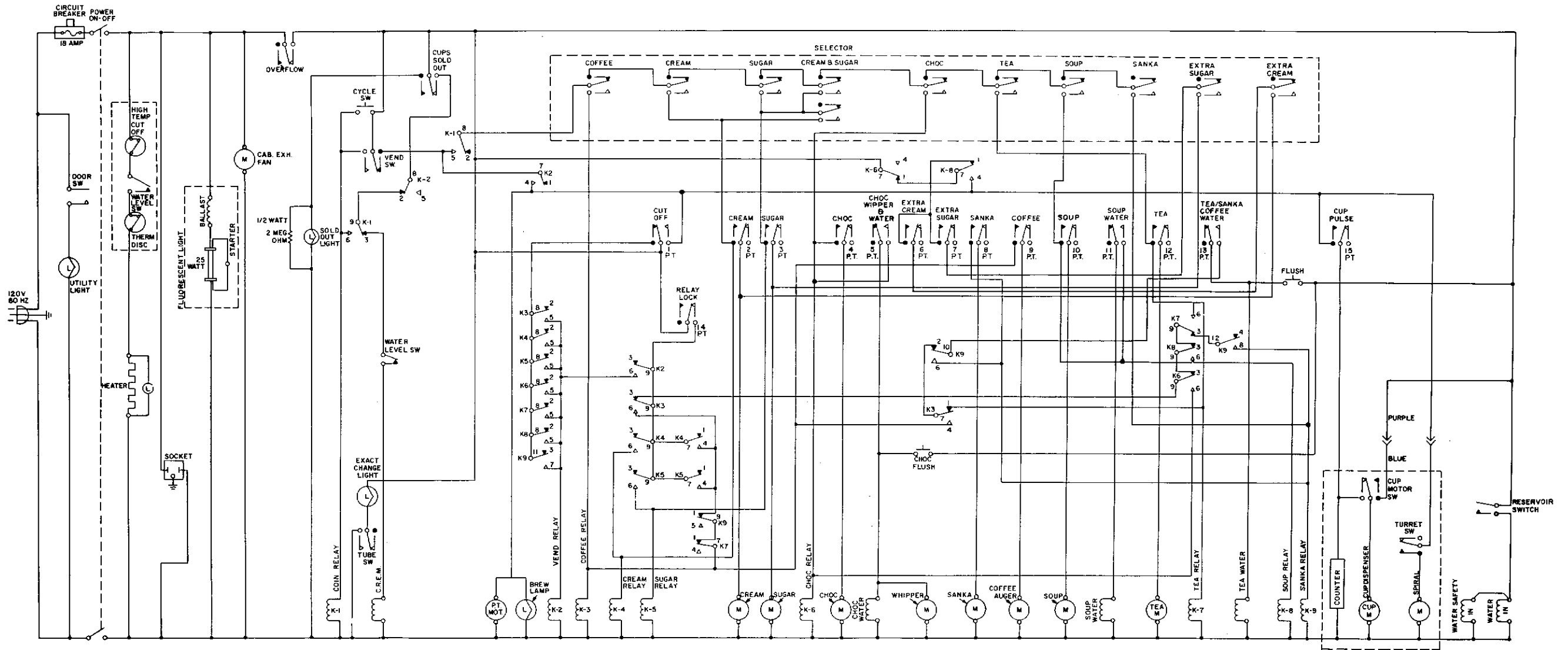
Electrical Box Ass'y (Incl. Items 1-12) A21710

- 1. Box, Electrical, Unwired A21652
- 2. Lid, Electrical Box, Screened A21831
- 3. Nut, Knurled, #8-32 P05625
- 4. Socket, Heater P14177
- 5. Switch, Cycle P14572
- 6. Breaker, Circuit P20174
- 7. Strip, Terminal P02488
- 8. Switch, Toggle P17462

- 9. Counter, 5 Digit P06569
- 10. Relay, 3 Pole A16759
- 11. Relay, 4 Pole P21601
- 12. Timer Ass'y, Program,
120V, 60 HZ, 10 Seconds A21872
- 13. Motor, 18 R.P.M., 120V, 60 HZ,
w/12 Tooth Gear. P17687
- 14. Cam, Black. P16502
- 15. Cam, White P16501
- 16. Switch Ass'y P16499



WIRING DIAGRAM
RMi 1400
10-1-77



SCHEMATIC DIAGRAM
LEGEND
 MODFL NUMBER: RMI 1400
SWITCHES
 ● NC
 ○ NO
 PT = PROGRAM TIMER

RELAY CONTACTS
 COM
 NO NC

RELAY IDENTIFICATION
 K-1 = COIN K-5 = SUGAR
 K-2 = VEND K-6 = CHOCOLATE
 K-3 = COFFEE K-7 = TEA
 K-4 = CREAM K-8 = SOUP
 K-9 = SANKA

SCHEMATIC DIAGRAM
Rm1 1400
10-1-77