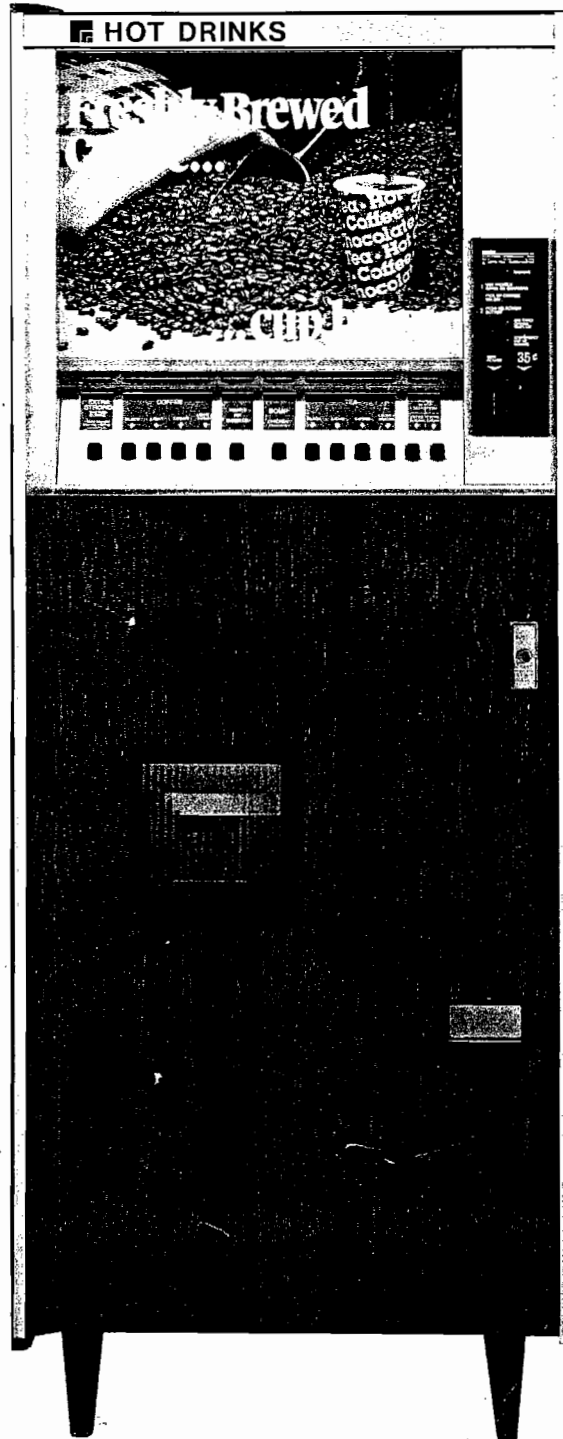
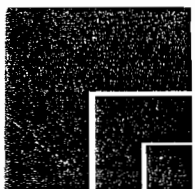


RMi 2000 Series



MANUAL



RMi 2000 Series

The Mid-Sized Choice is Yours

The Model 2000 LG provides cup-by-cup fresh brewed coffee in a new smaller sized cabinet. The Model 2000 FD offers the convenience of freeze dried in the same smaller cabinet. New economy for the smaller location.

Manufactured with Today's Technology

To assure accurate dispensing of commodities, the dispense time of each commodity and its sequence in the vend cycle is controlled by a microprocessor. Settings are made quickly by hand-held, plug-in module.

This series features an exclusive quick recovery, high capacity hot water system. A gravity water feed system with no pressure regulators, pumps or submerged metering devices. Thermostat and control switches are mounted on lid for simple replacement. Non-adjustable thermostat assures proper temperature at all times.

In-line cup dispensers, originated by RMi, are field proven for dependability. Complete visibility for quick cup inventory and ease in loading. Door mounted dispenser is out of the way for machine maintenance and servicing.

Easily Maintained

The RMi 2000 Series is designed for easy location maintenance. Stainless steel cupwell, rounded corners and easy cleaning features make sanitation quick and sure.

An open commodity rack, suspended product canisters and a minimum of horizontal surfaces allow ease in cleaning. Unique exhaust system assures complete vapor dispersal.

Stackable canisters. Quick disconnect "sections" control the level of soluble product inventory as required by individual machine locations. Auger-agitation system provides the most accurate and consistent product delivery. Hinged-lid assures sealed, dry products. Cabinet is 18 gauge steel with 16 gauge door.

Customer Convenience

Illuminated "Temporarily Out of Service" light avoids customer inconvenience.

Coffee offered four ways, with an extra strong feature; tea four ways; soup and chocolate.

The Model 2000 LG features a self-contained coffee brewing system which utilizes an exclusive built-in air piston system and an inexpensive disposable filter that delivers a consistent cup of freshly brewed coffee.

RMi 2000 Series Specifications

Dimensions: Height 72" Depth 28" Width 28"

Finishes:

Baked Brown Enamel and Presidential Walnut Vinyl Standard. Teak, Rosewood, Regency Walnut and Kashmir Walnut Vinyls are available.

Capacity:	2000FD	2000LG
Ground Coffee	—	6 lbs.
Freeze Dried		
Coffee	1 lbs.	—
Crema	2 lbs.	2 lbs.
Sugar	4 lbs.	4 lbs.
Chocolate	9 lbs.	9 lbs.
Soup	5 lbs.	5 lbs.
Tea	1.5 lbs.	1.5 lbs.
Cups	550	550

Weight: 320 lbs. 365 lbs.

Electrical: 120 volts; 60 HZ; 16 AMPS

Specifications subject to change without notice.

INDEX

Installation Instructions	1.01-1.04
Door, Exterior	2.01
Door, Interior	2.02
Shadow Box Asm, with Selector Switch Asm	2.03
Cup Dispenser Asm	3.01
Base Asm, Cup Dispenser	3.02
Cabinet Asm and Miscellaneous Items Inside	4.01
Valve Asm, Water Inlet	4.02
Exhaust Blower Motor Asms & Components	4.03
Canister Rack Asm – LG	5.01
Canister Rack Asm – FD	5.02
Canister Asms	6.01
Canister Asm Coffee Hopper – LG	6.02
Bracket Asm, Coffee Hopper Swing Out – LG	7.01
Tank Asm, Hot Water – LG	8.01
Tank Asm, Hot Water – FD	8.02
Valve Asm, Brewer, Eaton – LG	8.03
Valve Asm, Commodity, Eaton	8.04
Manifold & Commodity Valve Asm, Eaton	8.05
Brewer Asm – LG	9.01
Brewer Main Frame Asm – LG	9.02
Brewer Back Plate & Front Channel Asm – LG	9.03
Brewer Cylinder & Piston Asm – LG	9.04
Brewer Base Asm – LG	9.05
Brewer Motor – LG	9.06
Electrical Box Asm	10.01
Connecting Cables for Electrical Box	10.02
Filter Asm & Power Cord	10.03
Trouble Shooting Guide	11.01
Schematic Diagram	12.01

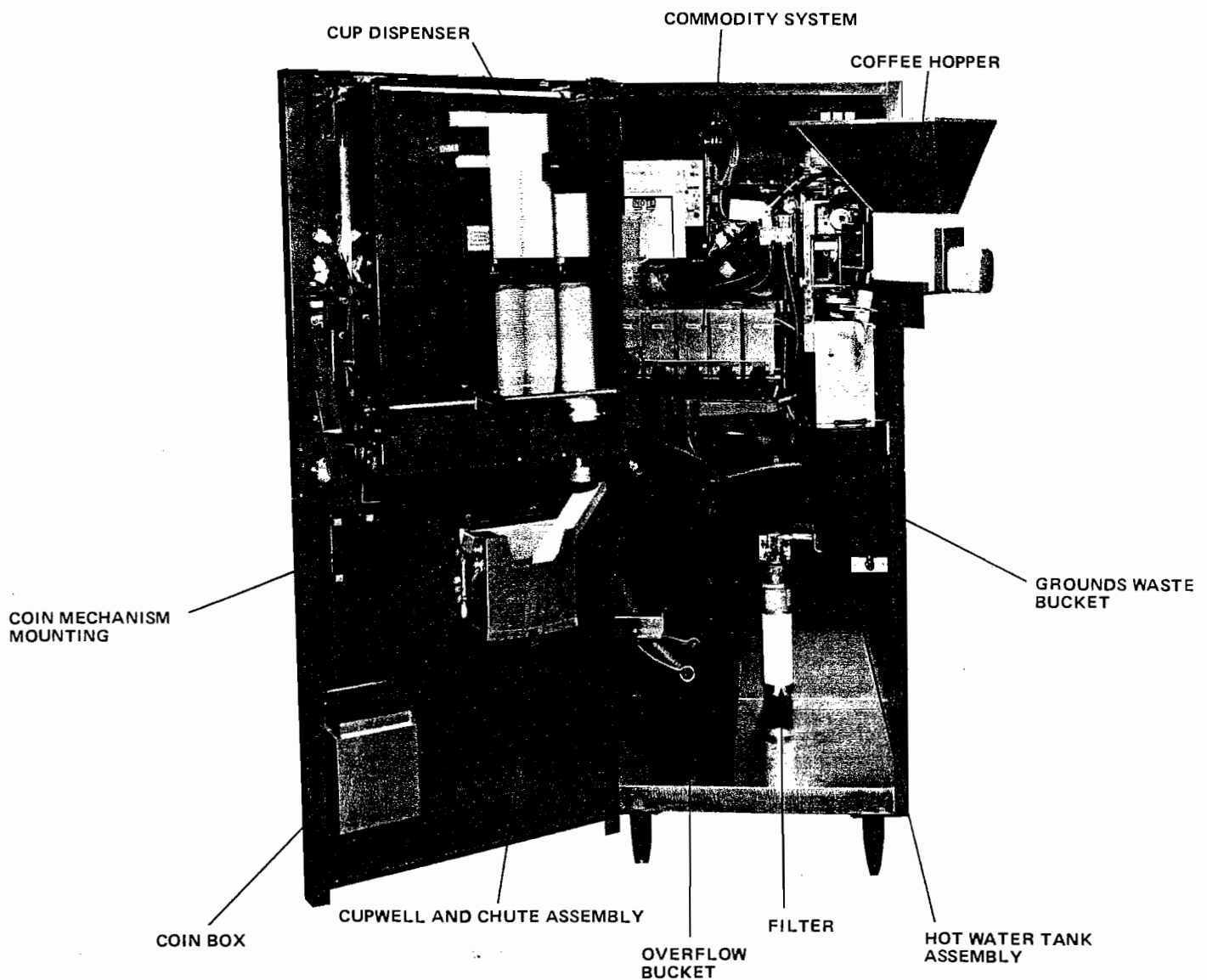
INSTALLATION INSTRUCTIONS

2000 LG - 2000 FD

INTRODUCTION

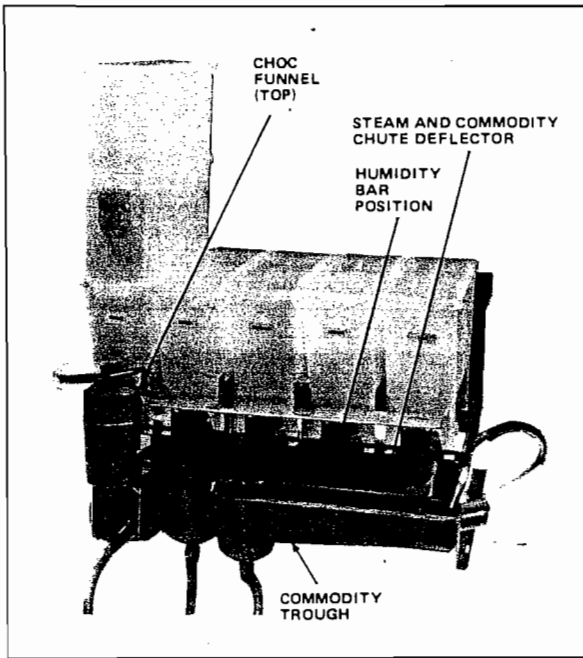
Installation for LG (loose grounds) and FD (freeze-dry) versions is essentially the same, except that there is no brewer in the FD version and the coffee canister is mounted on the canister rack instead of on a swing out bracket.

MAJOR COMPONENTS LOCATION

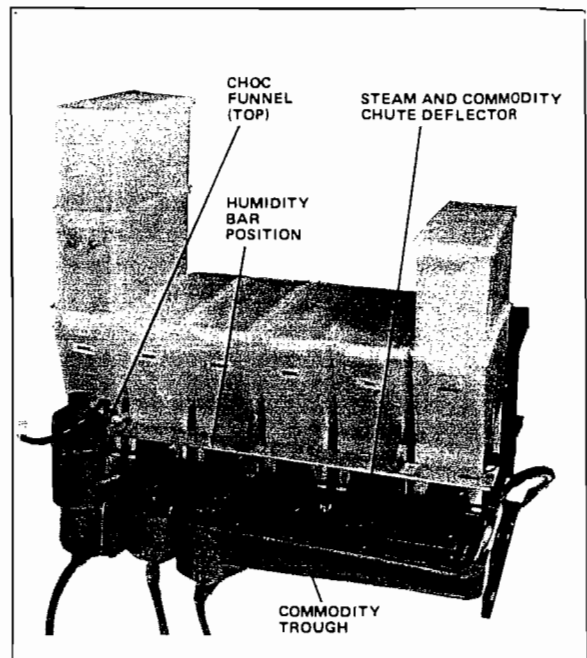


COMMODITY RACK & HUMIDITY BAR LOCATIONS

2000 LG



2000 FD



INSTALLATION

Unpack the vendor:

1. Remove shipping carton and plastic bag from vendor. Inspect exterior of cabinet for damage.
2. Remove keys from cup well and open front door. Inspect cabinet interior for evidence of damage.
3. Remove packing tape from coffee hopper support rack, cup dispenser door, commodity trough and steam deflector, overflow and ground waste floats.
4. Remove carton containing product canisters. On LG versions, remove coffee canister from floor of vendor.
5. Remove tape from coffee hopper cover.

LOCATION SITE REQUIREMENTS

The vendor requires an external source of water and electricity for operation. The minimum requirements for these utilities are as follows:

Water

The installation site must have a drinking water supply line that can be coupled permanently to the vendor. The water line should be one-half inch diameter minimum and be equipped with a manual shut-off valve no more than six feet from the vendor. Water pressure should be 5 psi minimum to 90 psi maximum. If water pressure exceeds 90 psi, install a pressure regulator in the line.

Electricity

An electrical outlet rated 120 volts, 60 cps., single-phase and capable of delivering 20 amperes must be made available within six feet of the vendor.

SET-UP INSTRUCTIONS

Set up the vendor at the location as follows:

1. Swing coffee hopper support rack out and install hopper. Be sure to engage auger driver with motor drive pin.
2. Install filter cartridge (vendors equipped with filter only).
3. Locate $\frac{1}{4}$ -20 shipping bolt holding the brewer latch; remove using a $\frac{3}{8}$ box or socket wrench.
4. Connect the vendor to the water supply line using $\frac{3}{8}$ inch O.D. soft copper tubing and necessary fitting. Use enough tubing to allow one complete coil approximately three feet in diameter between the water supply line and vendor to allow movement of the vendor for cleaning and to reduce noise due to water pressure surges.
5. Plug machine into electrical receptacle. Set main toggle switch on power panel to "ON" position. Check that tank starts to fill and that there are no leaks.
6. Snap off and remove chocolate top funnel entrance on left side of canister rack.
7. Remove ingredient canisters from shipping carton and install in their respective places on canister rack. Be sure auger driver and motor drive pin are engaged. The tabs on the back of the canisters fit in their corresponding slots and the front legs into their corresponding slots.
8. Install humidity bar (heater) on commodity rack so that the tabs on humidity bar fit into their respective slots in the commodity rack between the canisters.

9. Locate humidity bar harness in upper left hand corner of cabinet (to left of power panel), pull down and plug to humidity bar connector.
- J. Install and secure chocolate top funnel entrance.
11. Install brewer grounds splash shield over two screws on front of brewer. The shield's mounting screws should not be tightened. The shield is supposed to be able to swing a little as the grounds splash against it.
12. Install liner (supplied) in grounds waste bucket (large bucket). Install the dry grounds bucket on the bucket support rack mounted on the right hand side of the cabinet under the brewer. Place the bucket bottom on the rack and push down until the hook on the support bracket is through the eyelet of the bucket handle. Be sure the float is inside the bucket.
13. Slide overflow waste bucket into position on front side of cabinet floor. Be sure that float and overflow hose are inside bucket.
14. Fill canister assemblies with product.
15. Open cup dispenser door and load dispenser. Cup dispenser is set for 7 oz. or 8¼ oz. cups.
16. Install and price coin mechanism. Install price sign with desired price showing through window on front of door.
17. Adjust commodities for desired gram throw.
18. Advance service module to proper channel designated. (Set on stop time). Pushing the increase or/decrease button will raise or/lowe commodity quantity or function time of that channel.
19. Deposit coins and test vend each selection.

COMMODITATOR®

— COMMODITY MEMORY SYSTEM



SERVICE MODULE

The RMI Commodator[®] utilizes microcomputer technology to assure accuracy and simplicity in commodity dispensing. The dispense time of each commodity and its sequence in the vend cycle is controlled by the microcomputer. Precise time **adjusting controls** determine the exact amount of ingredients dispensed. This exact time sequence ability enables accuracy to 5/100ths of a second. The hand-held Service Module allows fast and accurate programming of the Commodity Memory System. Since there are no mechanical adjustments, the entire commodity dispensing and functioning requirements can be programmed or checked in minutes. Only personnel equipped with the Service Module determine the quantity of commodity dispensed.

L.E.D. Display — Provides digital readout of Channel number, Start Time and Stop Time.

Selector Knob — Allows access to desired modification of Channel, Start Time or Stop Time.

SELECTOR KNOB POSITIONS

Vend — enables "test" vend while service module is connected to control box.

Channel — allows selection of a designated channel (0-15) for the subsequent viewing of START TIME AND STOP TIME. Each channel controls a function within the vend cycle, i.e. sugar, soup, water, etc. These Channels replace the individual cams of the electromechanical program timer.

Start Time — In this position, the L.E.D. display will indicate the time **into** the vend cycle the designated channel begins functioning. Rarely will this be changed.

Stop Time — In this position the L.E.D. display will indicate the time into the vend cycle the designated channel completes its function. Modification of this setting allows for an increase or decrease in functioning time of a designated channel.

ADJUST BUTTONS

These are used to increase or decrease numerically the L.E.D. display when Selector Knob is in the CHANNEL, START TIME, or STOP TIME position.

Start Time Adjust Button — Must be depressed when modifying the Start Time.

Decrease Button — Lowers the numerical value indicated on the L.E.D. display. When selector knob is in Channel position, numerical value is decreased in increments of one. When selector knob is in Start or Stop time position, numerical value is decreased in increments of 0.05 seconds (five-hundredths of a second).

Increase Button — Raises the numerical value indicated on L.E.D. display. When selector knob is in Channel position, numerical value is increased in increments of one. When selector knob is in Start or Stop time position, numerical value is increased in increments of 0.05 seconds (five-hundredths of a second).

Service Module Connector — keyed connector plug, inserts into receptacle on upper left-hand side of control box.

SERVICE MODULE OPERATING PROCEDURES

STEP 1

Connect Service Module Connector into upper left-hand receptacle in control box.

STEP 2

Turn Selector Knob to "CHANNEL" position. Push increase or decrease buttons until L.E.D. display reads the number of the desired commodity or function channel. (See chart below)

STEP 3

In the "START TIME" position, the L.E.D. display will indicate the time each function or commodity begins within the vend cycle. These times are permanently stored to guarantee the correct sequence of operation.

STEP 4

The "STOP TIME" determines the duration within the vend cycle of the channel designated, in Step 2. Pushing the increase or decrease button will raise or lower the commodity quantity or function time of that channel.

NOTE: Operators can determine their own "STOP TIME" based on the specific commodity brands they use and the quantity desired dispensed.

STEP 5

Return service switch to "VEND".

SPECIAL NOTE: To make adjustments in light or sugar gram throw for the Tea or Decaffeinated Coffee channels without affecting your Coffee Extra Creme and Coffee Extra Sugar settings adjust the Start Time settings on Channels "0" and "1", utilizing the "Hold In To Adjust Start Time" button. By decreasing Start Time, you will increase the gram throw. By increasing the Start Time, you will decrease the gram throw. The lowest possible setting of the Start Time should not be lower than the Start Time of either Channels "7" or "8". Stop Time Channel "0" must be greater than Start Time Channel "8". Stop Time Channel "1" must be greater than Start Time Channel "7".

TIMING CHART

This chart reflects "STOP TIME" settings recommended by major commodity suppliers. To program machines to your individual dispensing requirements, weigh amount of commodity dispensed at these settings and adjust "STOP TIME" (STEP 4) accordingly. Once "STOP TIMES" are determined subsequent equipment will simply require "STOP TIME" modification.

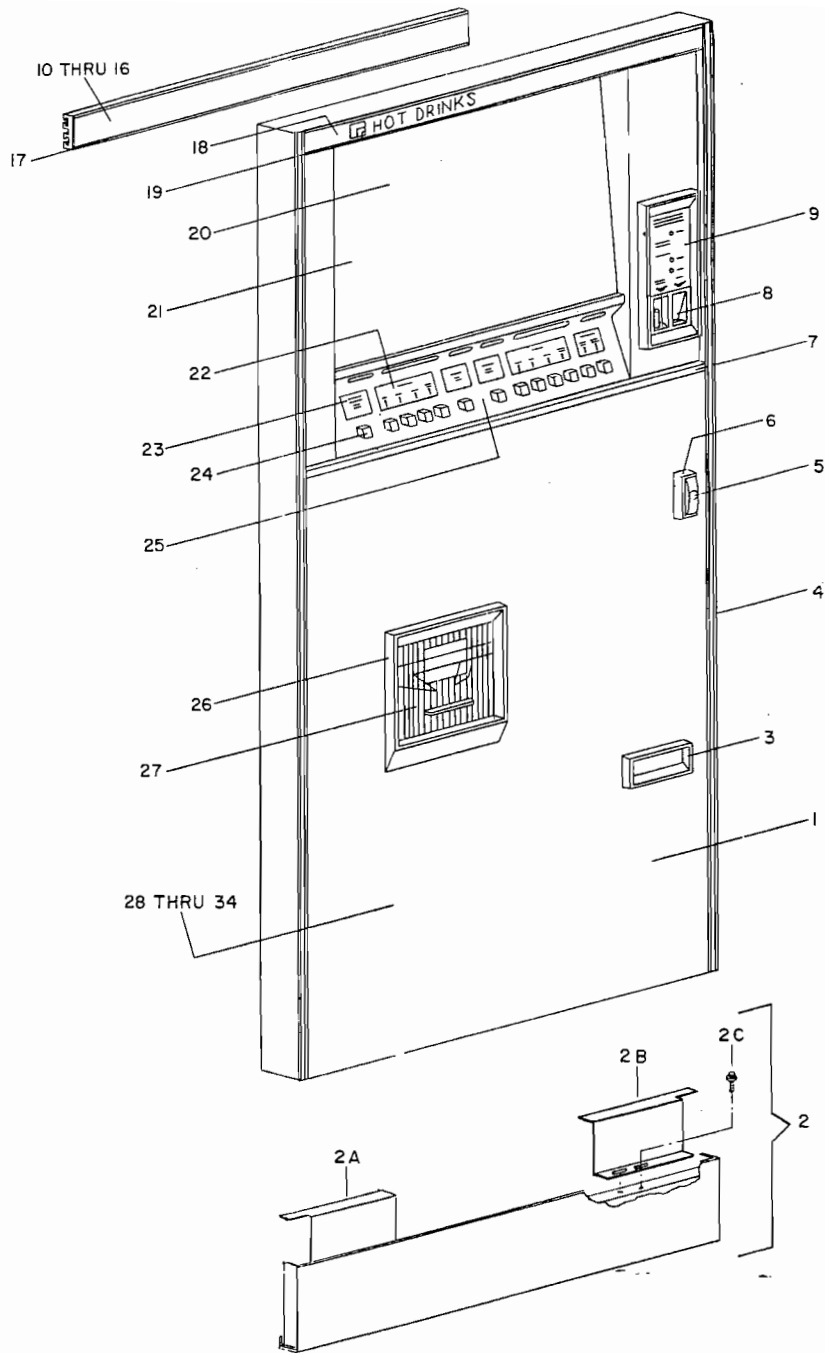
2000 LG JUMPER ON J1 - J2 OPEN					2000 FD JUMPER ON J1 - J2 OPEN						
CHAN NO.	CHANNEL DESCRIPTION	START TIME	STOP TIMES			CHAN NO.	CHANNEL DESCRIPTION	START TIME	STOP TIMES		
			7 OZ.	8 1/2 OZ.	9 OZ.				7 OZ.	8 1/2 OZ.	9 OZ.
*0	Extra Sugar	6.90	7.70	7.85	7.90	*0	Extra Sugar	5.70	7.90	8.30	8.50
*1	Extra Light	7.20	7.95	8.05	8.15	*1	Extra Light	6.00	7.20	7.40	7.50
2	Vend	0.00	19.00	19.00	19.00	2	Vend	0.00	10.00	10.50	11.00
3	Brewer Motor	0.00	15.00	15.00	15.00	3	Coffee Water	2.90	9.00	10.05	10.70
4	Cup Motor	1.40	2.80	2.80	2.80	4	Cup Motor	1.40	2.80	2.80	2.80
5	Coffee Motor	4.20	5.40	5.60	5.70	5	FD Motor	4.85	6.95	7.30	7.50
6	Brewer Delay	4.50	5.50	5.50	5.50	6	Extra Strong Coffee	4.80	5.90	5.90	5.90
*7	Light Motor	7.00	7.75	7.90	7.95	*7	Light Motor	5.50	6.70	6.90	7.05
*8	Sugar Motor	6.70	7.50	7.65	7.70	*8	Sugar Motor	5.20	7.40	7.80	8.00
9	Chocolate Motor	4.40	8.80	9.60	10.00	9	Chocolate Motor	4.40	8.80	9.60	10.00
10	Chocolate Water	2.90	9.00	10.00	10.70	10	Chocolate Water	2.90	9.00	10.05	10.70
11	Not Used	-	-	-	-	11	Not Used	-	-	-	-
12	Tea/Sanka Water	2.90	9.00	10.00	10.70	12	Tea/Sanka Water	2.90	9.00	10.05	10.70
13	Soup Motor	4.90	6.70	7.00	7.20	13	Soup Motor	4.90	6.70	7.00	7.20
14	Soup Water	2.90	9.00	10.00	10.70	14	Soup Water	2.90	9.00	10.10	10.70
15	Tea Motor	4.70	6.10	6.35	6.50	15	Tea Motor	4.70	6.10	7.15	7.35

2000LG * 180 RPM Motors

If add hot water feature is not desired, set stop time of channel - 3 to 5.00 and adjust water cam on brewer.

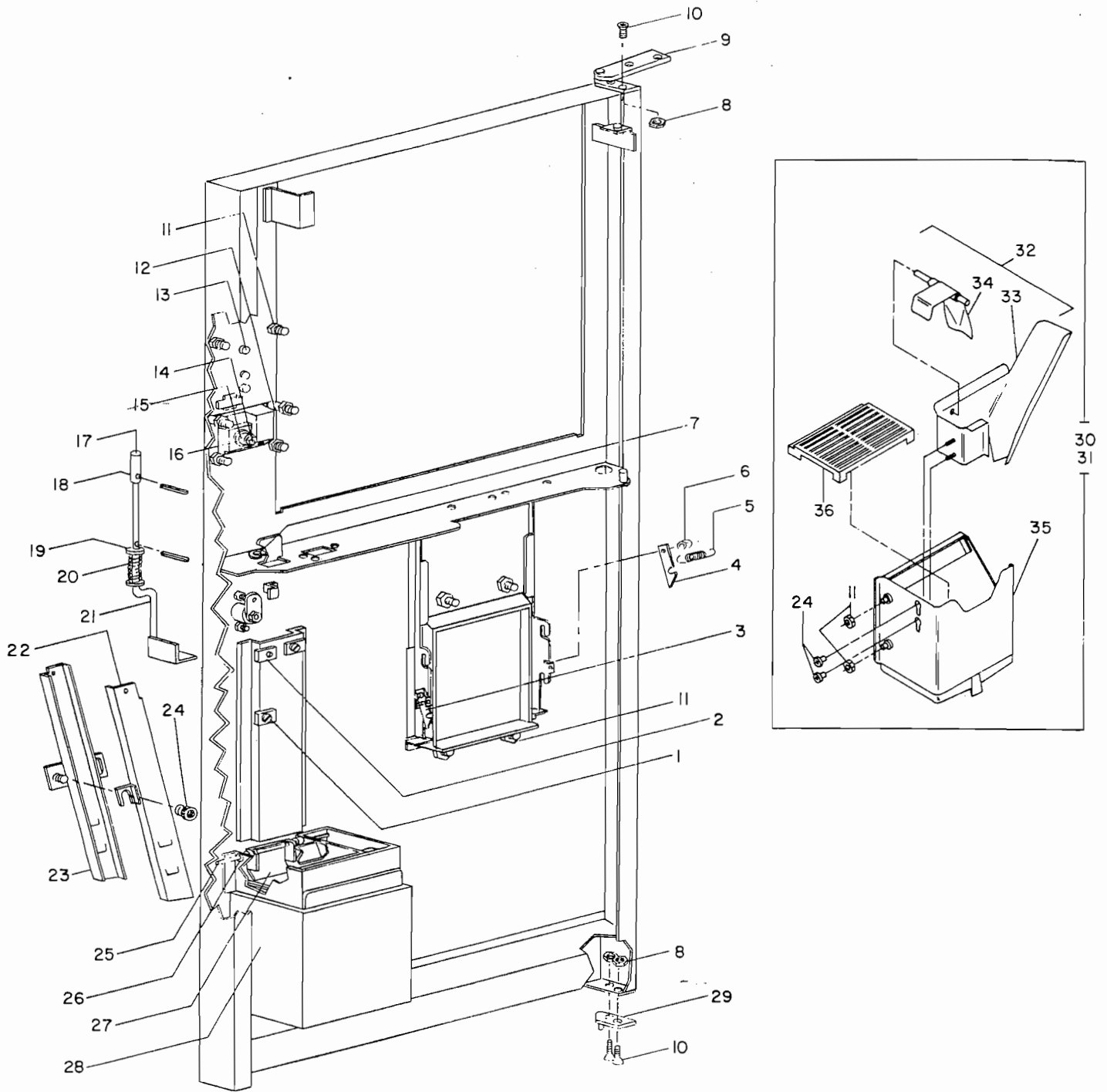
2000FD * 90 RPM Motors

To increase Extra Strong Coffee Decrease star time of Channel - 6. If time is decreased to less than 4.70, trough washout may be affected and other time adjustments may be required.



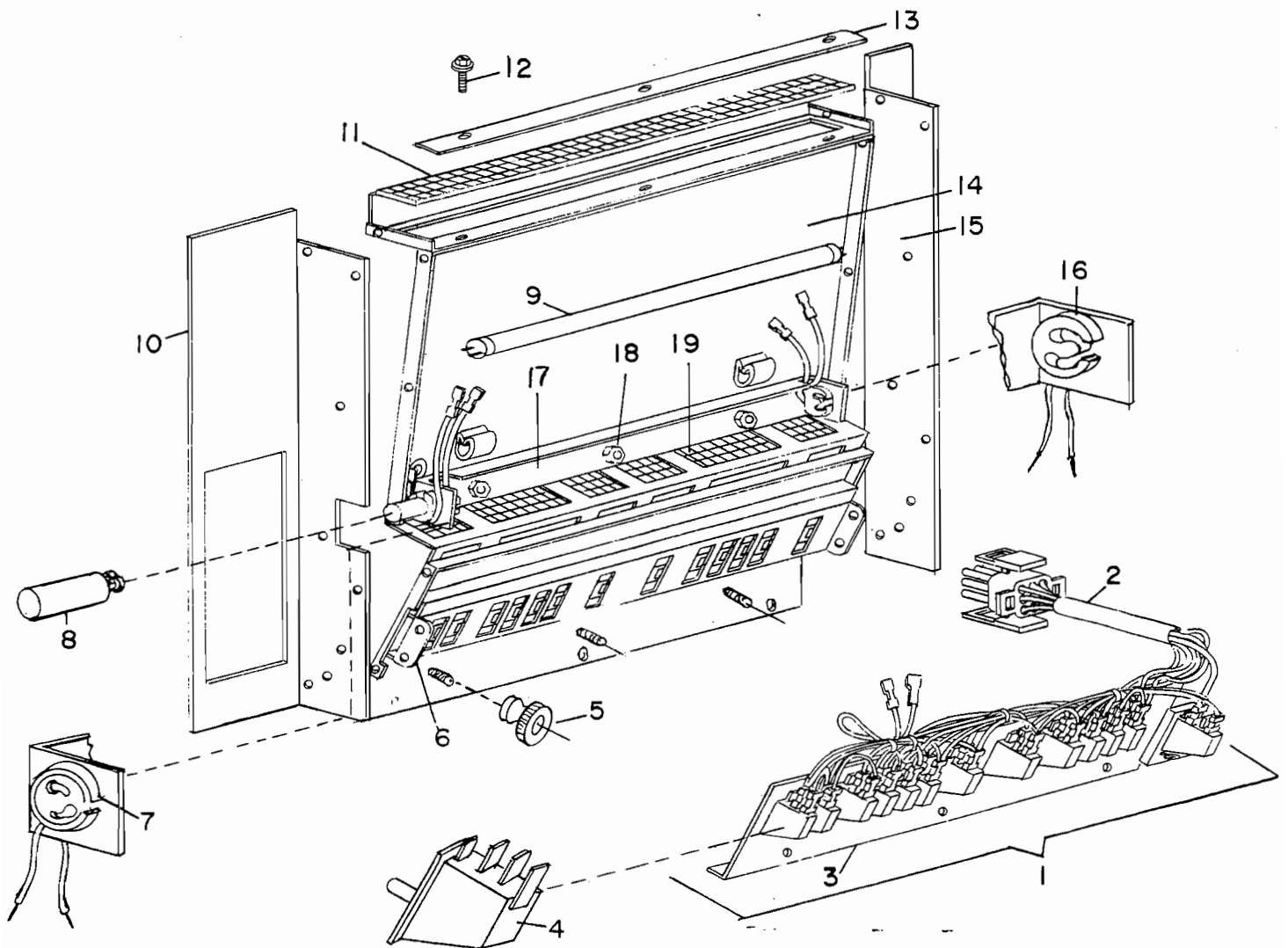
EXTERIOR DOOR — 2000

1. Door (only) Welded.	31208	17. Trim, Top Header (used with items 10-16).	31197
2. Panel, Kick, with Hardware	30490	18. Insert, Top, "Hot Drinks"	30451
2A Bracket, Kick Panel, LHD	20943	19. Trim, Top Header (used with item 18)	31196
2B Bracket, Kick Panel, RHD	20944	20. Artwork, Bean Picture w/Letters—LG	30557
2C Screw 8-32x½, HH, Type F, SCP	31333	21. Artwork, Bean Picture, no Letters—FD	30670
3. Bezel, Coin Return (Black)	23296	22. Cover & Guide, Selector Panel.	30279
4. Trim, Vertical, LHD & RHD.	29938	23. Labels, Selection, White (Set)	29298
5. Cylinder, Lock w/Key, Flex-Ace	17146	24. Button, Selection	28962
6. Lock & Cam Asm.	26895	25. Panel, Selector.	31098
7. Trim, Center, Horizontal.	31195	26. Bezel, Cupwell (Black)	23295
8. Bezel, Coin Insert (Black)	26835	27. Door, Cupwell.	19290
9. Label, Instructions (Plastic)	28356	28. Vinyl, Bottom, Presidential Walnut.	30449
10. Vinyl, Top Insert, Presidential Walnut	30525	29. Vinyl, Bottom, Regency Walnut	30519
11. Vinyl, Top Insert, Regency Walnut	30526	30. Vinyl, Bottom, Kashmir Walnut.	30520
12. Vinyl, Top Insert, Kashmir Walnut	30527	31. Vinyl, Bottom, Teak	30521
13. Vinyl, Top Insert, Teak	30528	32. Vinyl, Bottom, Spanish Oak	30522
14. Vinyl, Top Insert, Spanish Oak	30529	33. Vinyl, Bottom, Rosewood	30523
15. Vinyl, Top Insert, Rosewood	30530	34. Vinyl, Bottom, Hi-Tech	30524
16. Vinyl, Top Insert, Hi-Tech.	30881		



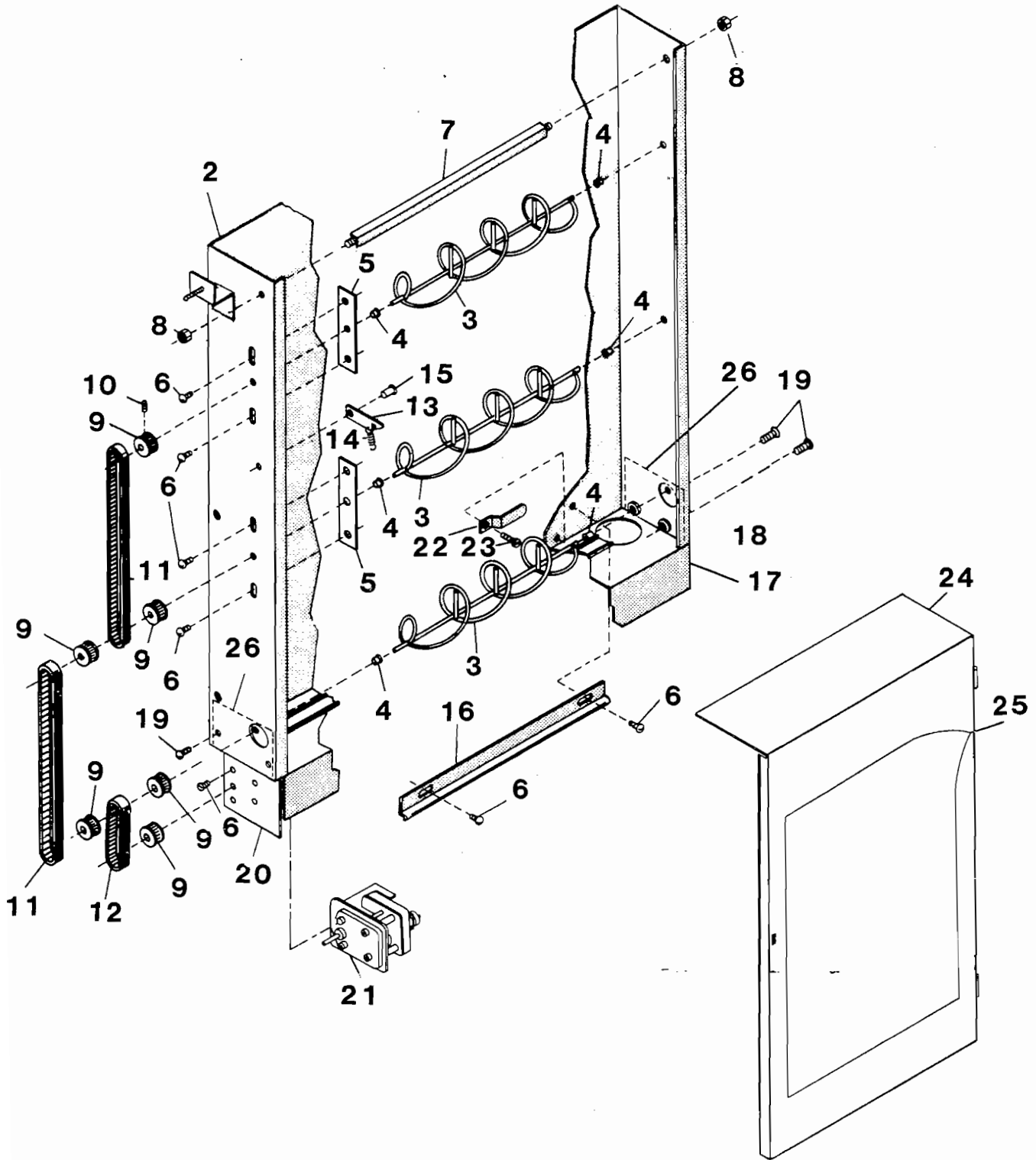
INTERIOR DOOR — 2000

1. Screw, 8-32x3/8, PH	14491	20. Spring, Compression	16159
2. Nut, 8-32, Speed, TNN, U-Type	28240	21. Rod Asm Reject	23446
3. Catch, Cupwell, LHD	08804	22. Cover Asm Coin Chute	27656
4. Catch, Cupwell, RHD	08805	23. Chute, Asm Coin	27654
5. Spring, Catch, Cupwell	09023	24. Nut, 8-32, Knurled, AL	05625
6. Nut, 1/4, Push-On	05682	25. Wire, Coin Return Door	20302
7. Nyliner, 6L2FF	14412	26. Spacer, Coin Return Well	14132
8. Nut, 1/4-20, KEP, SCP	12518	27. Door, Coin Return Well	18552
9. Hinge Asm, Welded, Top	24605	28. Box Asm Coin	27526
10. Screw, 1/4-20x5/8, HH, M, SK	22181	29. Hinge Asm, Welded, Bottom	18159
11. Nut, 1/4, S-T, PAL	18443	30. Cupwell & Chute Asm (incls. items 32 & 35)	19359
12. Spacer, Coin Insert & Reject Bezel	18661	31. Cupwell & Chute & Grill Asm (includes items 24, 32, & 35-36)	19360
13. Lens (Only), Red	27934	32. Cup Chute & Retarder Asm (incls. items 33-34)	23105
14. Screw, 8-32x3/8, HH, F, SCP	14806	33. Chute, Cup	16931
15. Ferrule	19563	34. Retarder Asm Cup Chute	12436
16. Washer, 3/8x11/16x1/16	13839	35. Cupwell Asm (incls. item 11)	18740
17. Rod, Reject, Top	19022	36. Grill, Cupwell	19773
18. Pin, Cotter, 1/16x1, SS	16288		
19. Washer, Flat, 1/4, CD	10229		



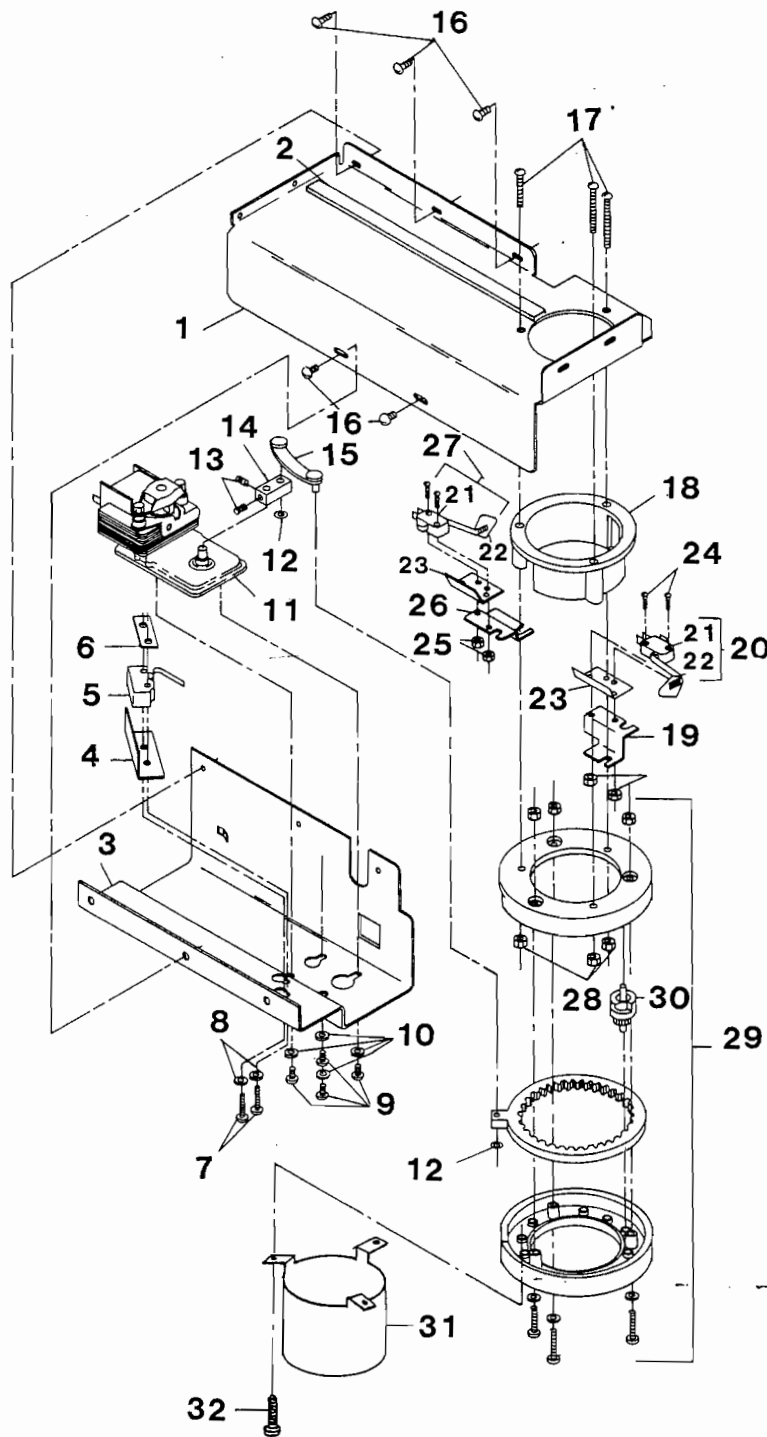
SHADOW BOX ASSEMBLY — 31211

1. Panel Asm, Selector Switch	30551	11. Diffuser, Shadow Box, Top	30283
2. Harness Asm, Selector Switch	30550	12. Screw, 8-32x3/8, HH, SCP	14806
3. Bracket, Selector Switch	30285	13. Bracket, Diffuser	30282
4. Switch, Selector	15675	14. Panel, Asm, Shadow Box, Back, Welded	31117
5. Nut, 8-32, Knurled, AL	05625	15. Jamb, Shadow Box, LHD	31184
6. Panel, Button Retainer	30286	16. Socket, Fluorescent Lamp	00935
7. Socket, Starter	00944	17. Bracket, Fluorescent Lamp	30278
8. Starter	00941	18. Nut, 10-32, Kep	11750
9. Lamp, Fluorescent	27165	19. Diffuser, Shadow Box, Bottom	30284
10. Jamb, Shadow Box, RHD	31185		



CUP DISPENSER

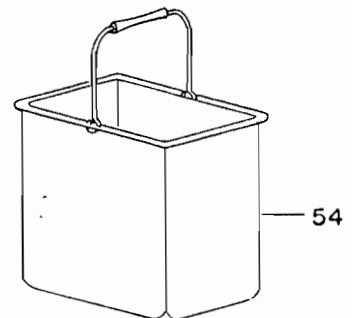
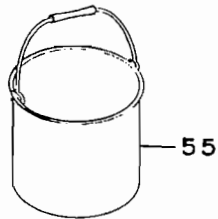
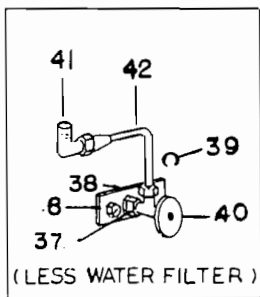
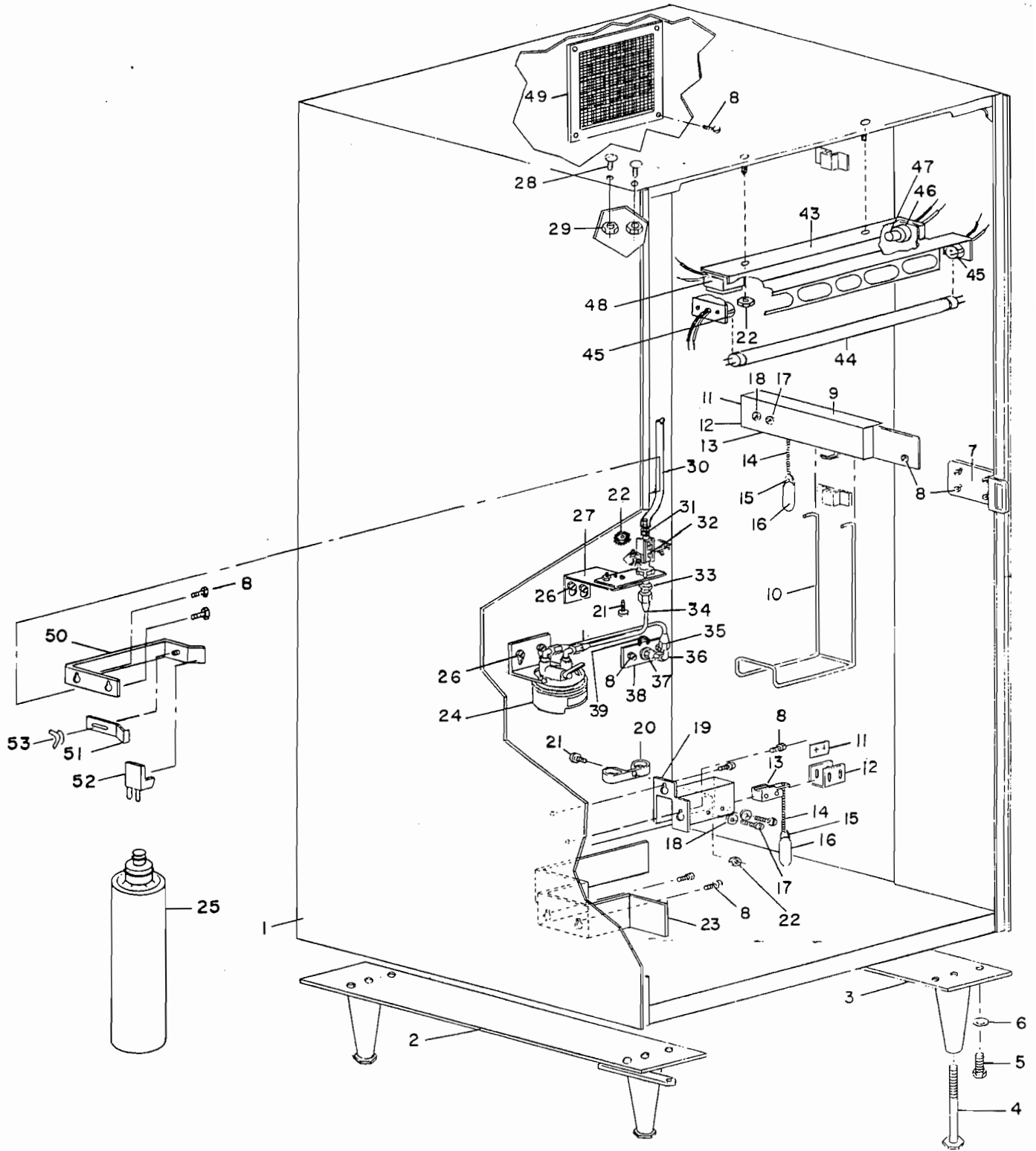
Cup Dispenser Asm, 7 oz (incl. Items 1, 18, & 19-24)	31180		
1. Spiral Asm (incl. Items 2-7)	31179	14. Spring, Door Latch	14435
2. Wrapper Only, Welded	31105	15. Rivet, Shoulder	16769
3. Spiral, Cup	31101	16. Guide, Cup	31177
4. Nyliner, 4L1FF	09257	17. Bar, Latch	17059
5. Plate, Adjusting	16659	18. Base Asm, 7 oz. Cup Ring	31178
6. Screw, #8-32 x 3/8 PHM.	14487	19. Screw, #8-32 x 3/8 PHM.	14491
7. Stiffener, Wrapper	31176	20. Bracket, Mounting, Spiral Motor	28470
8. Nut, Kep, #8-32	11749	21. Motor, Spiral	12203
9. Pulley Asm (incl. Item 10)	12493	22. Guide, Cup, Bottom	18173
10. Screw, Set, #10-32 x 3/16	14807	23. Screw, #8-32 x 3/8 PHM.	16748
11. Belt, Timing (22" Long)	13795	24. Door Only, Welded	31100
12. Belt, Timing (10" Long)	10213	25. Schematic & Notes	31131
13. Latch, Door	16689	26. Plate, Adapter	26060



BASE ASSEMBLY – CUP DISPENSER

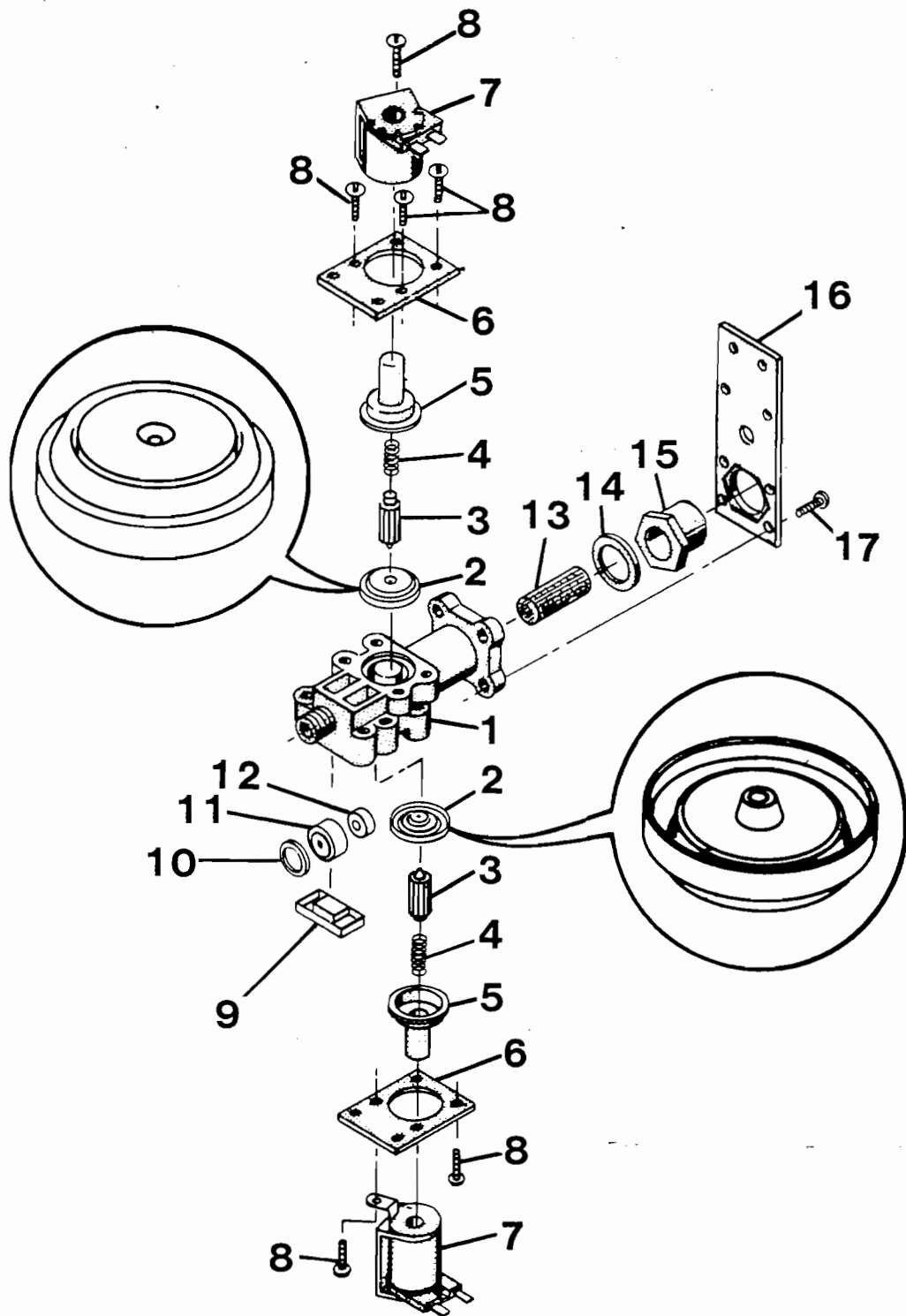
1. Base Asm, Welded.	31109	17. Screw, 10-32 x 2¼, SCP	16337
2. Track, Snap-on	31174	18. Throat, Cup	16701
3. Bracket, Cup Motor & Switch	16671	19. Bracket, Index Switch	25989
4. Insulation, Switch	17049	20. Switch Asm Index (Incl. Items 21 & 22).	23370
5. Switch, Cup Drop (Modified 09598)	17081	21. Switch (Sold only as part of Switch Asm)	22726
6. Nut, 6-32, Twin-Speed	01179	22. Actuator, Switch	22727
7. Screw, 6-32 x 1¼, RH, M	05688	23. Insulation, Index Switch	22728
8. Washer, Flat, #6, SCP	00826	24. Screw, 4-40x5/8, RH, M, Nylon	23406
9. Screw, 8-32x¼, PH	14487	25. Nut, 4-40, Kep	22849
10. Washer, Flat, #8, SCP	00961	26. Bracket, Sold-Out Switch	25990
11. Motor, Cup Drop, 30 RPM.	16038	27. Switch Asm, Sold-Out (incl. Items 21 & 22).	23371
12. Nut, 3/16, Push-On	04112	28. Nut, 10-32, Kep, Ext Lock-Washer	11750
13. Screw, 8-32 x 3/16, SK Set	03272	29. Dispenser, 7 oz. Cup Separator	16012
14. Arm, Motor	15450	30. Gear, Worm, 7 oz. Cup	19361
15. Rod, Connecting	16657	31. Chute, Cup, Anti-Theft.	23752
16. Screw, 8-32 x 3/8, PH, M	14491	32. Screw, # 14 x 3/8, PH, SD, Type F (3 required).	26572

CABINET AND MISCELLANEOUS ITEMS INSIDE



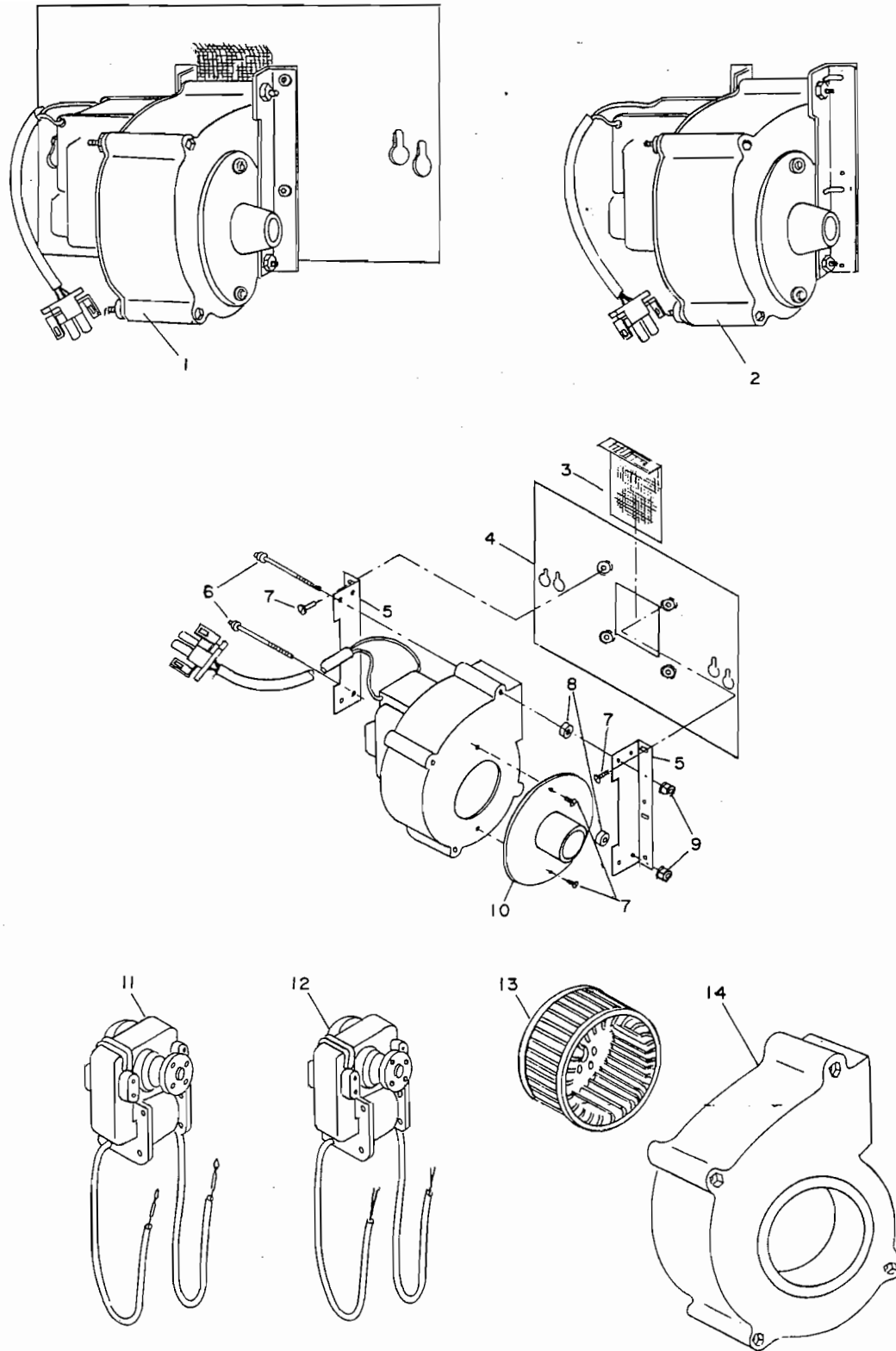
CABINET AND MISCELLANEOUS ITEMS INSIDE

1. Cabinet Asm, Welded	30375
2. Leg Asm LHD w/Hinge	18397
3. Leg Asm RHD	18408
4. Leveler, Leg	19039
5. Bolt, Leg	07444
6. Washer, Lock, 3/8, Split	05979
7. Latch, Door Lock	30459
8. Screw, 8-32 x 3/8, HH, SCP	14806
9. Bracket Asm Overflow, Grounds (LG)	30387
10. Hanger, Bucket (LG)	27607
11. Nut, 6-32, Twin-Speed	01179
12. Cover, Insulation	00784
13. Switch, Float	19509
14. Chain, Bead, Overflow Switch	03654
15. Sleeve, Chain	03651
16. Float, Overflow, Styrene	04732
17. Screw, 6-32 x 1, RH, SCP	00050
18. Washer, Flat #6, SCP	03562
19. Bracket, Overflow Switch	15573
20. Clamp, Cable, 1", Plastic	17784
21. Screw, 8-32 x 3/8, PH	14491
22. Nut, 8-32, Kep	11749
23. Bracket, Bucket	30973
24. Filter Head & Ring Asm (Everpure)	23281
24A Filter Asm Everpure (Not Shown)	31343
(Incl. Items 24, 25 & Qty. 2 of 41)	
25. Cartridge, Filter (Everpure)	16991
26. Screw, 8-32x½, HH, F, SCP	31333
27. Bracket, Valve, Water Inlet	30638
28. Bolt, 5/16-18 x 5/8	27931
29. Nut, 5/16, Kep	27932
30. Tube, PVC, 5/16x½, Clear (Sold per Foot)	09146
31. Fitting, Hose Barb - Female Pipe	30516
32. Valve, Water Inlet, N-42	22242
33. Adapter, Brass, 3/8 MPT x 3/8 MFL	14923
34. Tube Asm, Inlet to Filter	30642
35. Tube Asm, Inlet to Filter	18790
36. Elbow, 3/8 MFL x 3/8 MPT, Brass	17357
37. Adapter, Water Inlet	25886
38. Plate, Retainer	26444
39. Ring, Retaining, Water Inlet	25888
40. Valve, Shut-Off	14924
41. Elbow, 3/8 MPT x 3/8 MFL	06225
42. Tube Asm, Shut-Off to Water Inlet Valve	30644
43. Bracket, Fluorescent Lamp	30756
44. Lamp, Fluorescent	27165
45. Socket, Fluorescent Lamp	00935
46. Socket, Starter	00944
47. Starter	00941
48. Ballast, 25W	21956
49. Screen, Exhaust, Cabinet	14189
50. Bracket Asm, Commodity Tube	30317
51. Clip, Retainer, Tube Asm	26933
52. Spout Asm (3 Spout), Commodity Tube	22822
53. Nut, ¼-20, Wing	22836
54. Bucket, Grounds (LG)	06922
55. Bucket, Waste	21139



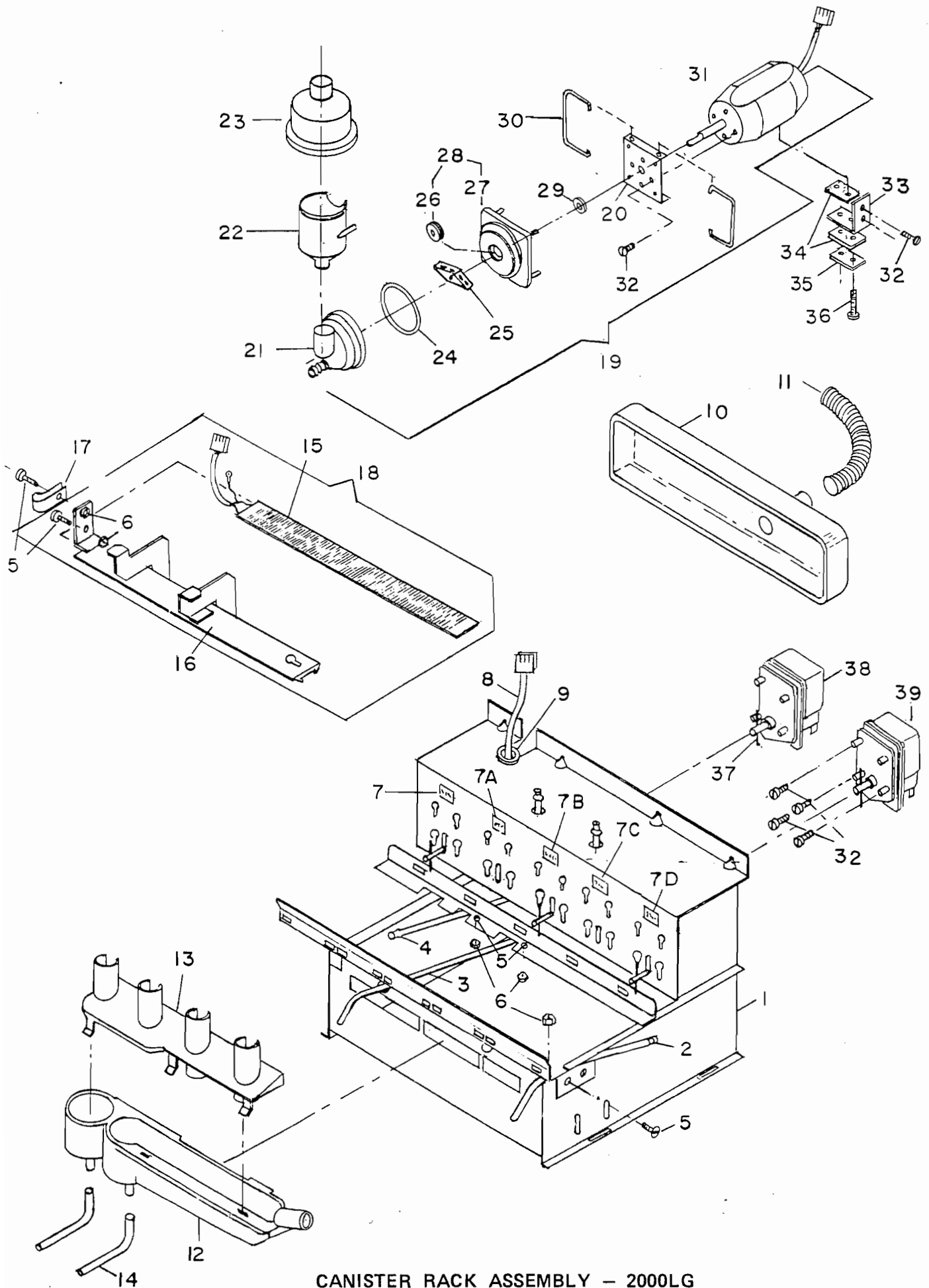
VALVE ASSEMBLY – WATER IN 120V 50/60 HZ

Valve Assembly Complete	22242	10. Gasket	22771
1. Body, Valve	16449	11. Insert Flow Washer Seat	19817
2. Diaphragm, Lift	22247	12. Washer, Flow, 3/32 Hole Identification Mark "CK"	22246
3. Armature.	16451	Lift Type	
4. Spring	16452	13. Screen, Inlet Valve	16476
5. Guide.	16453	14. Gasket	16477
6. Plate, Hold Down.	16471	15. Fitting, Inlet.	16478
7. Coil, White.	16472	16. Plate, Mounting	16479
8. Screw.	16493	17. Screw, Mounting Plate	16489
9. Plug, Seal	16474		



EXHAUST BLOWER MOTOR ASSEMBLIES AND COMPONENTS

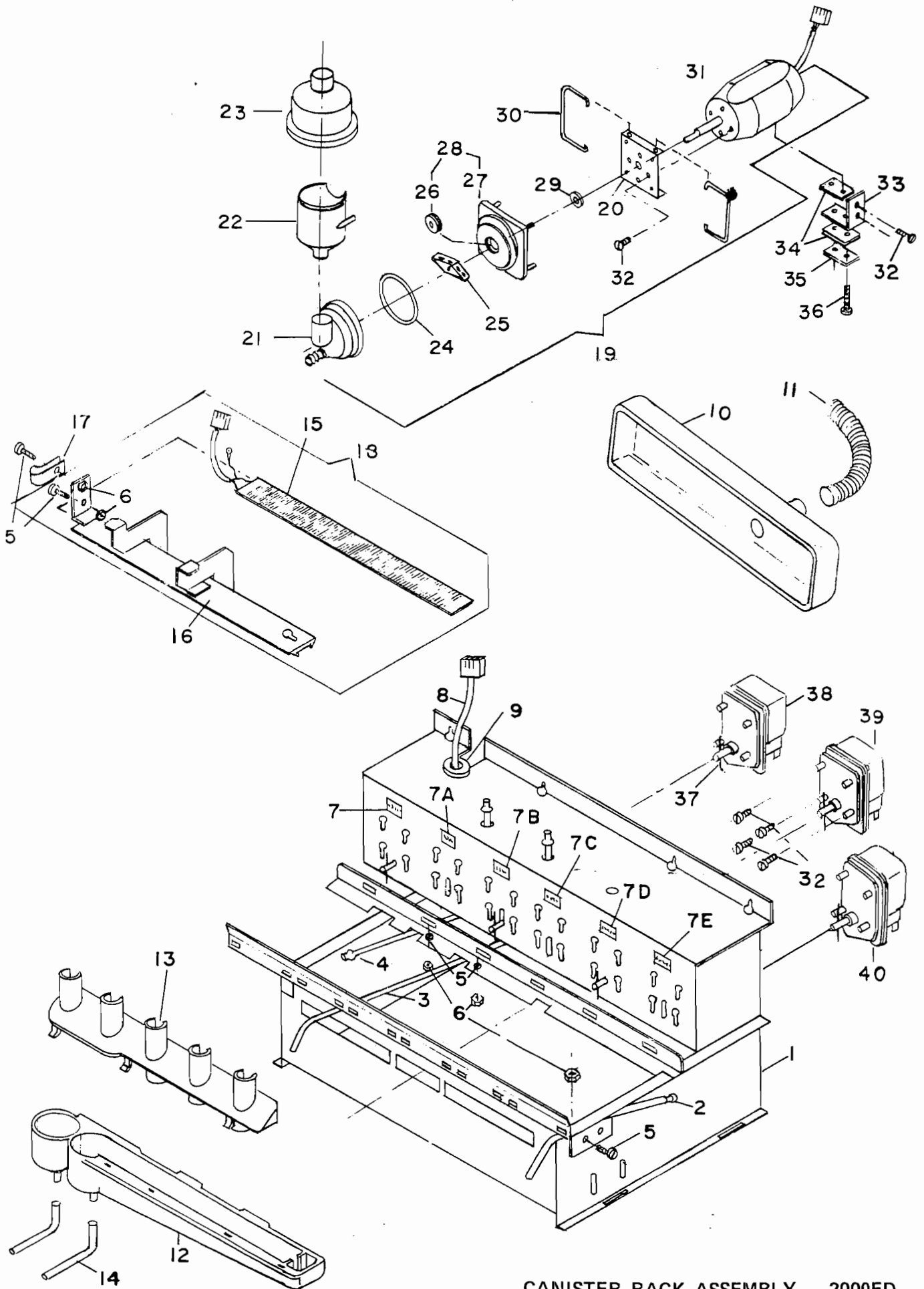
1. Motor Asm Blower with Adapter Plate	30303	8. Washer, Nylon	19152
2. Motor Asm Blower less Adapter Plate	30301	9. Nut, 8-32, Kep	11749
3. Screen, Blower Motor	20942	10. Duct, Blower Motor Inlet	18922
4. Plate, Blower Motor	21892	11. Motor Asm Blower with Mate-N-Lok Pins	31340
5. Bracket, Side, Blower Motor.	24048	12. Motor Asm Blower less Mate-N-Lok Pins.	29551
6. Screw, 8-32 x 2½, RH, PL	22772	13. Wheel, Blower Motor	29831
7. Screw, 8-32 x 3/8, HH, SCP	14806	14. Housing, Blower Motor	29832



CANISTER RACK ASSEMBLY - 2000LG

CANISTER RACK ASSEMBLY — 2000LG

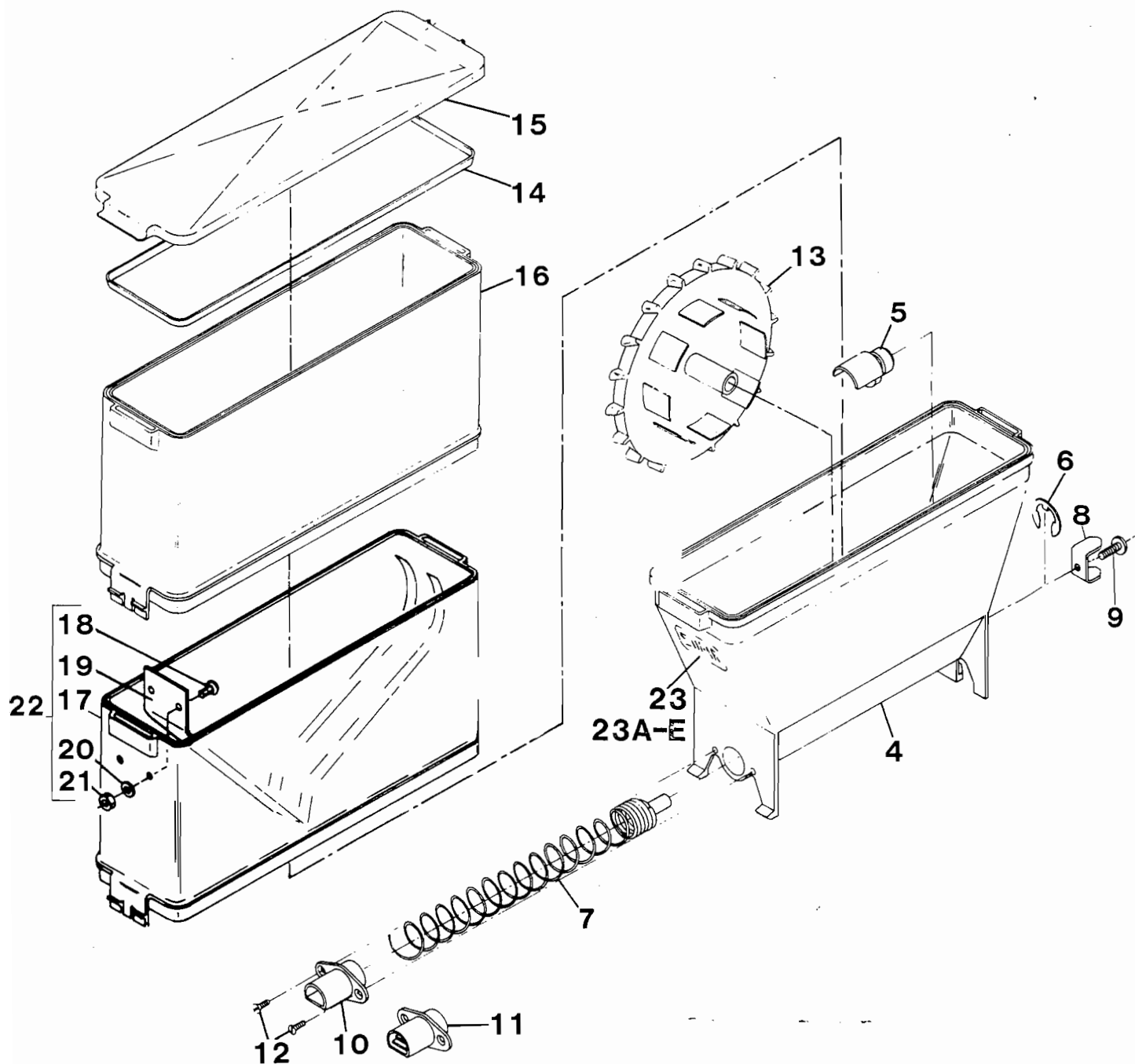
1:	Rack Asm Canister, Welded	30591
2.	Tube Asm, Tea Water.	22631
3.	Tube Asm, Soup Water.	28727
4.	Tube Asm, Chocolate Water	28725
5.	Screw, 8-32 x 3/8, PH	14491
6.	Nut, 8-32, Kep	11749
7.	Decal, Chocolate	20191
7A	Decal, Soup	20192
7B	Decal, Sugar	20197
7C	Decal, Light	20194
7D	Decal, Tea	20193
8.	Harness Asm, Canister Rack	30548
9.	Grommet, 3/4 x 1 (Part of Item 8)	26498
10.	Duct, Steam Exhaust	14003
11.	Hose, Exhaust (13290=1 Ft.)	13290
	(Hose Sold Only, in 6 Ft. Lengths)	
12.	Trough, Commodity, LG.	21190
13.	Chute, Commodity, LG	21145
14.	Tube, Silicone, 5/16 ID x 1/2 OD (Sold Per Foot)	19033
15.	Strip Asm Heater, Wired, LG	30563
16.	Bracket Asm, Heat Bar, LG	30324
17.	Clamp, 5/16, Plastic	25068
18.	Bar Asm Humidity, LG (Incl. Items 5-6, & 15-17)	30564
19.	Whipper Asm Chocolate (Incl. Items 20-32)	31342
20.	Plate, Whipper Mounting.	13914
21.	Housing, Front, Outer	13909
22.	Funnel, Chocolate Whipper with Tube	26839
23.	Funnel, Top Entrance, Whipper	14745
24.	"O" Ring, 2 1/4 x 2 1/4.	13919
25.	Impellor, Whipper.	13912
26.	Seal, Housing, Inner, Whipper.	27435
27.	Housing, Inner, Whipper	27421
28.	Housing & Seal Asm (Incl. Items 26 & 27).	13910
29.	Slinger	13918
30.	Spring, Retainer.	13915
31.	Motor Asm, Chocolate Whipper, Wired.	30329
32.	Screw, 8-32 x 1/4, PH	14487
33.	Bracket, Whipper Damping	28064
34.	Pad, Vibration	14180
35.	Plate, Compression	14181
36.	Screw, 8-32 x 5/8, PH, SCP	16335
37.	Pin, Roll, 1/8 x 1 1/2, SS.	15628
38.	Motor Asm, Auger, 180 RPM (Incl. Items 32 & 37) (3 Required — for Chocolate, Sugar, & Light)	28987
39.	Motor Asm, Auger, 100 RPM (Incl. Items 32 & 37) (2 Required — for Soup & Tea)	13999



CANISTER RACK ASSEMBLY - 2000FD

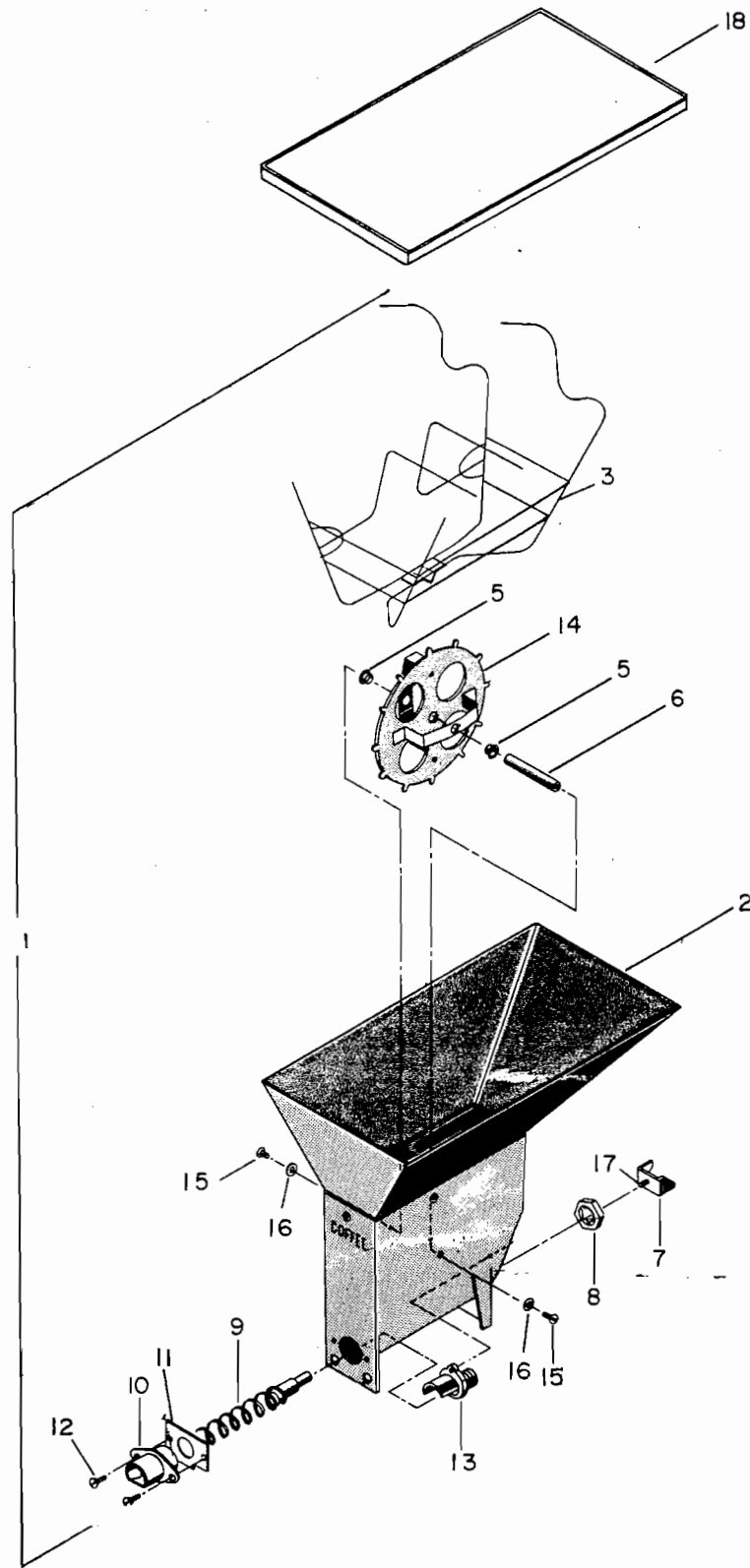
CANISTER RACK ASSEMBLY – 2000 FD

1.	Rack Asm Canister, Welded	30590
2.	Tube Asm, Tea & Coffee Water	22631
3.	Tube Asm, Soup Water.	28727
4.	Tube Asm, Chocolate Water.	28725
5.	Screw, 8-32 x 3/8, PH	14491
6.	Nut, 8-32, Kep	11749
7.	Decal, Chocolate	20191
7A	Decal, Soup	20192
7B	Decal, Sugar	20197
7C	Decal, Light	20194
7D	Decal, Tea	20193
7E	Decal, Coffee	20198
8.	Harness Asm, Canister Rack.	30548
9.	Grommet, ¼ x 1 (Part of Item 8)	26498
10.	Duct, Steam Exhaust	23895
11.	Hose, Exhaust (13290=1 Ft.)	13290
	(Hose Sold Only in 6 Ft. Lengths)	
12.	Trough, Commodity, FD.	22900
13.	Chute, Commodity, FD	21146
14.	Tube, Silicone, 5/16 ID x ½ OD (Sold Per Foot)	19033
15.	Strip Asm Heater, Wired, FD	30559
16.	Bracket Asm, Heat Bar, FD	22502
17.	Clamp, 5/16, Plastic	25068
18.	Bar Asm Humidity, FD (Incl. Items 5-6, & 15-17)	30560
19.	Whipper Asm Chocolate (Incl. Items 20-32)	31342
20.	Plate, Whipper Mounting.	13914
21.	Housing, Front, Outer	13909
22.	Funnel, Chocolate Whipper, with Tube	26839
23.	Funnel, Top Entrance, Whipper	14745
24.	"O" Ring, 2¼ x 2½.	13919
25.	Impellor, Whipper.	13912
26.	Seal, Housing, Inner, Whipper.	27435
27.	Housing, Inner, Whipper	27421
28.	Housing & Seal Asm (Incl. Items 26 & 27).	13910
29.	Slinger	13918
30.	Spring, Retainer.	13915
31.	Motor Asm, Chocolate Whipper, Wired.	30329
32.	Screw, 8-32 x ¼, PH	14487
33.	Bracket, Whipper Damping	28064
34.	Pad, Vibration.	14180
35.	Plate, Compression	14181
36.	Screw, 8-32 x 5/8, PH, SCP	16335
37.	Pin, Roll, 1/8 x 1½, SS.	15628
38.	Motor Asm, Auger, 180 RPM (Incl. Items 32 & 37) (1 Required – for Chocolate)	28987
39.	Motor Asm, Auger, 100 RPM (Incl. Items 32 & 37) (4 Required – for Soup, Sugar, Light & Tea)	13999
40.	Motor Asm, Auger, 51 RPM (Incl. Items 32 & 37) (1 Required – for FD Coffee).	14469



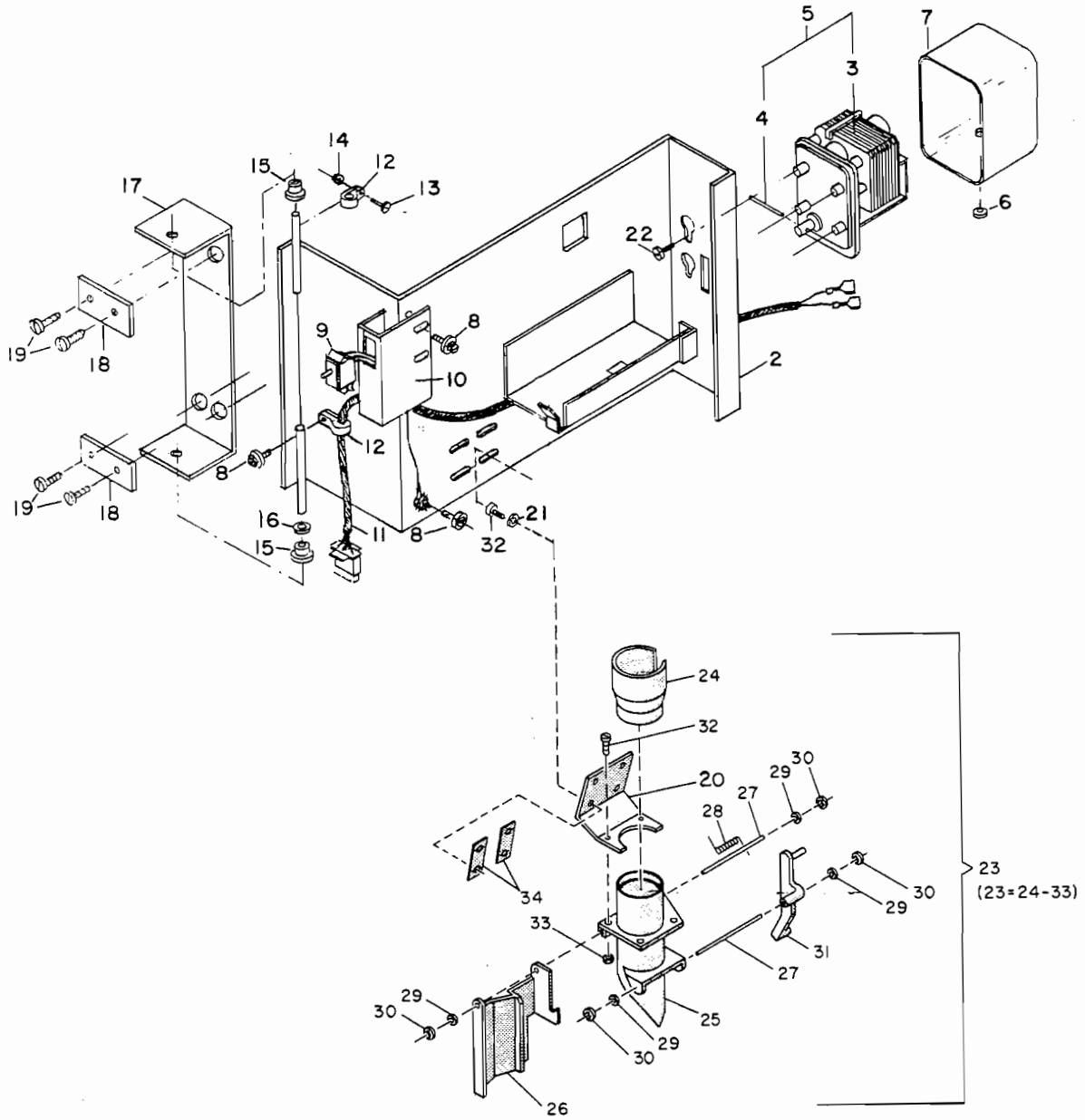
CANISTER ASSEMBLIES, SNAP TOGETHER

Canister Asm, Coffee (FD Model Only)	22572	10. Spout, Plain (No Louvers)	26643
(Incl. Items 3, 16 & 23)		11. Spout, Louvered	26642
Canister Asm, Sugar (Incl. Items 1 & 23A)	22569	12. Screw, #6 x 3/8 F.H., Type B.	25034
Canister Asm, Light (Incl. Items 2 & 23B)	22570	13. Wheel, Commodity	20311
Canister Asm, Chocolate (Incl. Items 3, 16, 22 & 23C)	22571	14. Seal, Canister	22252
Canister Asm, Soup (Incl. Items 3 & 23D)	22563	15. Cover, Canister	20647
Canister Asm, Tea (Incl. Items 2 & 23E)	22565	16. Extension, Canister	20290
1. Canister Asm, Sugar, Basic	22460	17. Extension, Canister, Chocolate Only	23711
(Incl. Items 4-10, 12, 14 & 15)		18. Screw, Weld, #6-32 x 5/16 SS.	24529
2. Canister Asm, Light & Tea, Basic	28485	19. Agitator Assembly	23757
(Incl. Items 4-9, 11-15)		20. Washer, Flat, #6	00826
3. Canister Asm, Coffee FD, Choc. & Soup.	28486	21. Nut, Nylock, #6-32.	19927
(Incl. Items 4-10, 12-15)		22. Extension Asm, Canister, Choc. (Incl. Items 17-21)	23731
4. Canister, Bottom, Basic	20288	23. Label, Coffee (FD Model Only)	20198
5. Bearing, Rear	20263	23A Label Sugar	20197
6. Ring, Retaining	20646	23B Label, Light	20194
7. Auger Asm, Commodity	20645	23C Label, Chocolate	20191
8. Driver, Auger	25969	23D Label, Soup	20192
9. Screw, Auger Driver	25970	23E Label, Tea	20193



CANISTER ASSEMBLY COFFEE 2000LG

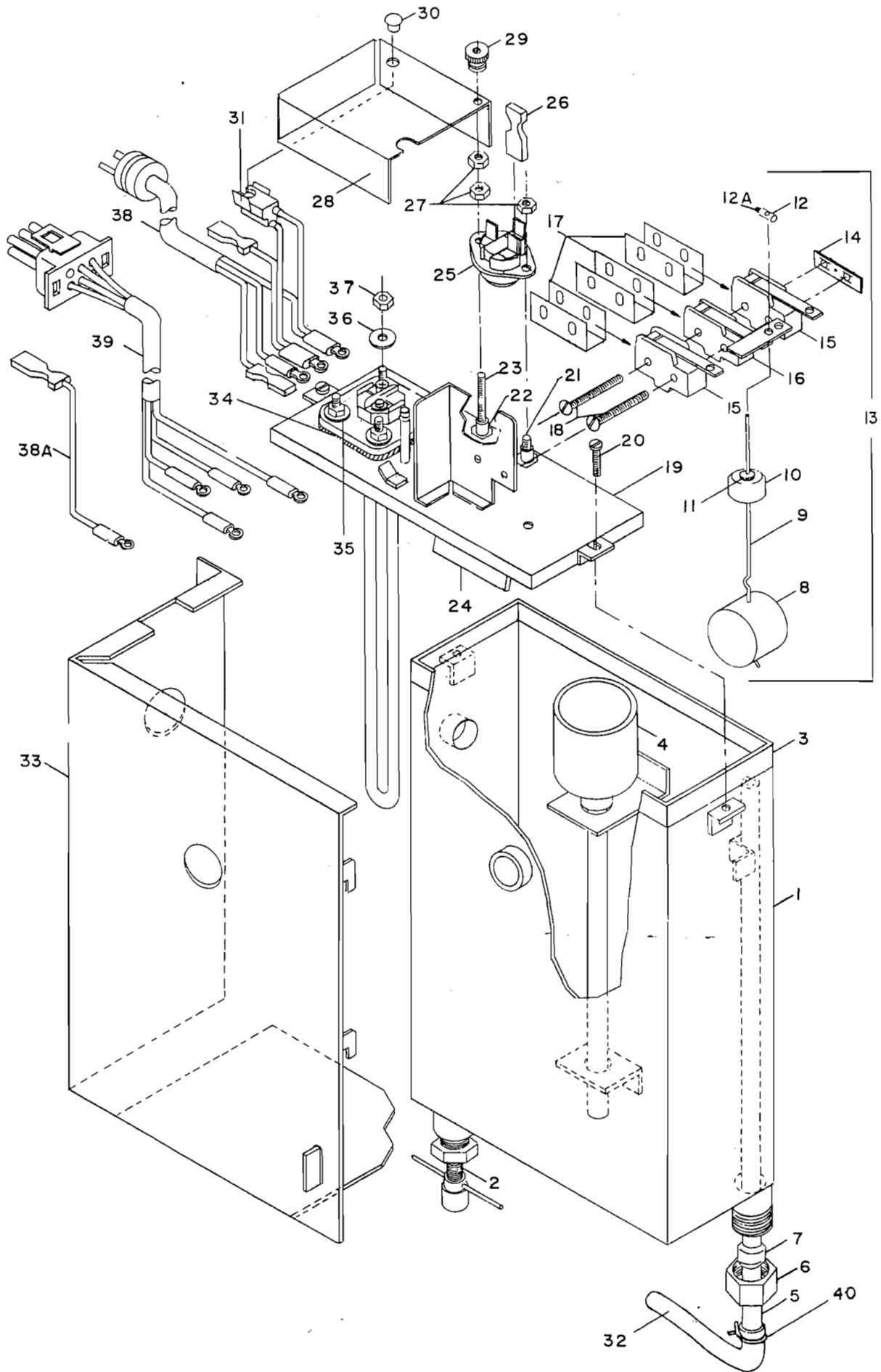
1. Canister Asm Coffee Complete (less Lid)	28974	9. Auger & Shaft Asm	14023
(incl. Items 2-17)		10. Spout, Canister, No Louvers	14011
2. Canister Asm Coffee (Plastic Canister)	23792	11. Spacer, Spout	17769
(with Attached Stainless Steel Hopper Only)		12. Screw, 6-32 x 3/8 FH, Type B, PL	25034
3. Agitator, Coffee Canister, Top	28034	13. Bearing, Rear	14012
4. Agitator, Coffee Canister, Bottom	28143	14. Wheel, Coffee Commodity	14419
(Not Shown—fits Inside Plastic Canister)		15. Screw, 6-32 x 3/8 PH, PL	12503
5. Nyliner, 4L4FK	14013	16. Washer, Flat #6, SCP	00826
6. Axle, Commodity Wheel	14017	17. Screw, Auger Drive	25970
7. Driver, Auger	25969	18. Lid, Coffee Canister (Sold Separately from Item 1)	23898
8. Nut, 5/8-11, PAL	14190		



BRACKET ASSEMBLY COFFEE HOPPER 2000LG

BRACKET ASSEMBLY COFFEE HOPPER 2000LG

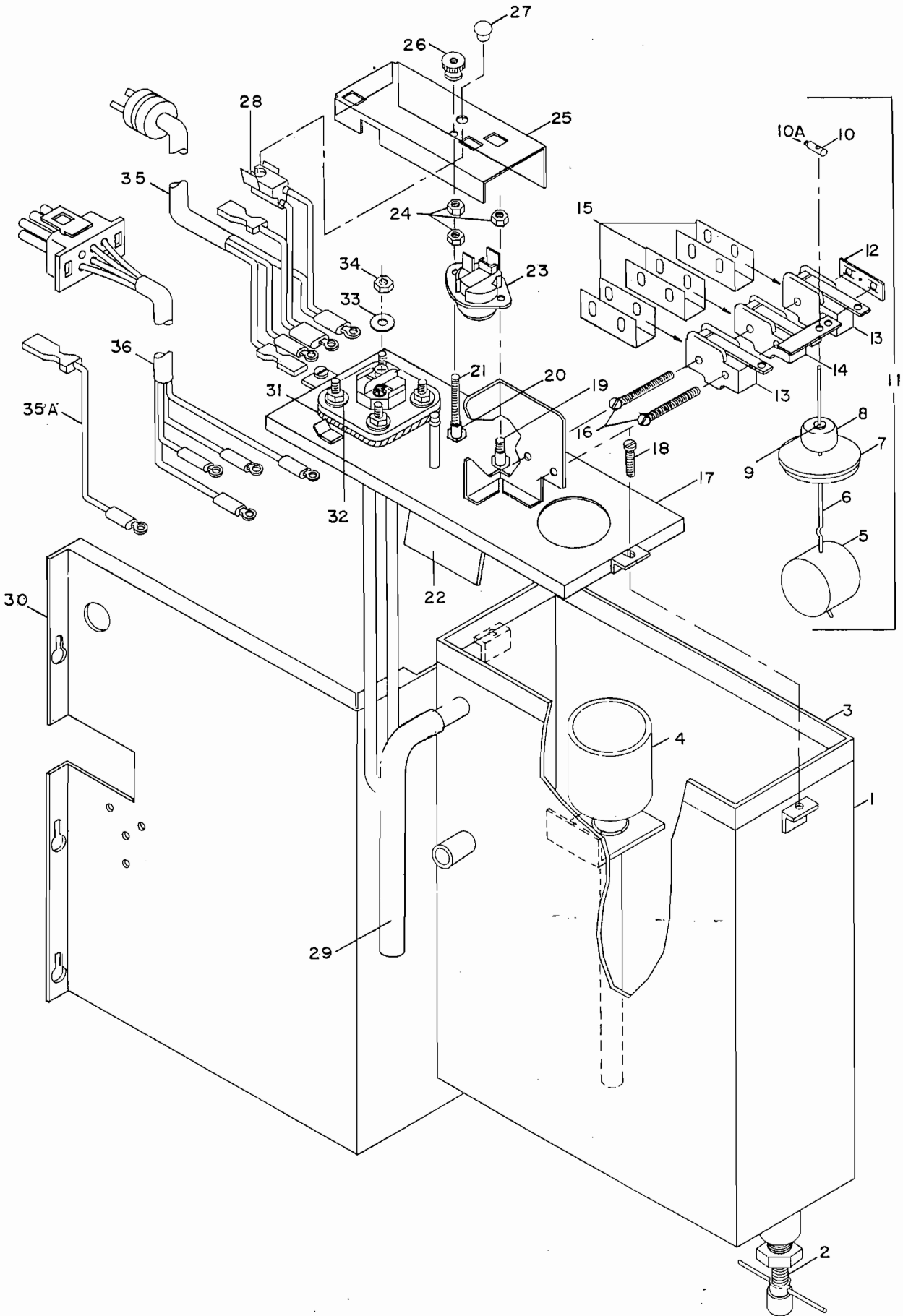
1. Bracket Asm, Coffee Hopper Swing-Out	30759
(Incl. Items 2-12 & 20-34)	
2. Bracket Asm, Coffee Hopper Swing-Out, Welded . . .	23352
3. Motor, Coffee Auger, 180 RPM	22731
4. Pin, Roll, 1/8 x 1 1/2 SS	15628
5. Motor Asm Coffee Auger (Incl. Items 3-4).	22737
6. Grommet, 3/8 x 15/32	03593
7. Cover, Motor	14426
8. Screw, 8-32 x 3/8 HH, SCP	14806
9. Switch, Coffee Hopper, Ucinite SPDT	15675
10. Bracket, Switch, Coffee Hopper.	22345
11. Harness Asm Swing-Out, Coffee Hopper	30753
12. Clamp, 1/4 P, Nylon	27604
13. Screw, 8-32 x 1/2 PH, M, PL	11073
14. Nut, 8-32 Kep	11749
15. Nyliner, 6L2FF	14412
16. Washer, 7/16 x 3/4	05049
17. Bracket, Swing-Out Coffee Hopper Mounting	22347
18. Plate, Keeper	22329
19. Screw, 8-32 x 1/2, HH, Type F, SCP	31333
20. Bracket, Coffee Chute	18365
21. Washer, Flat #6, SCP	00826
22. Screw, 8-32 x 1/4, PH	14487
23. Chute Asm Coffee (Incl. Items 24-33)	15332
24. Funnel, Coffee Chute.	14355
25. Chute, Coffee	14382
26. Door, Coffee Chute.	14377
27. Shaft, 1/8 x 3 1/16	16383
28. Spring, Coffee Chute	16384
29. Washer, 5/32x5/16 CD	14480
30. Ring, Retaining 1/8, BCU, CD.	14481
31. Tripper, Coffee Chute	14350
32. Screw, 6-32 x 3/8 PH, PL	22225
33. Nut, 6-32 Kep, LK WA, SCP.	11745
34. Nut, 6-32 Weld, TP1116, CRS.	17692



HOT WATER TANK 2000 LG

HOT WATER TANK 2000 LG

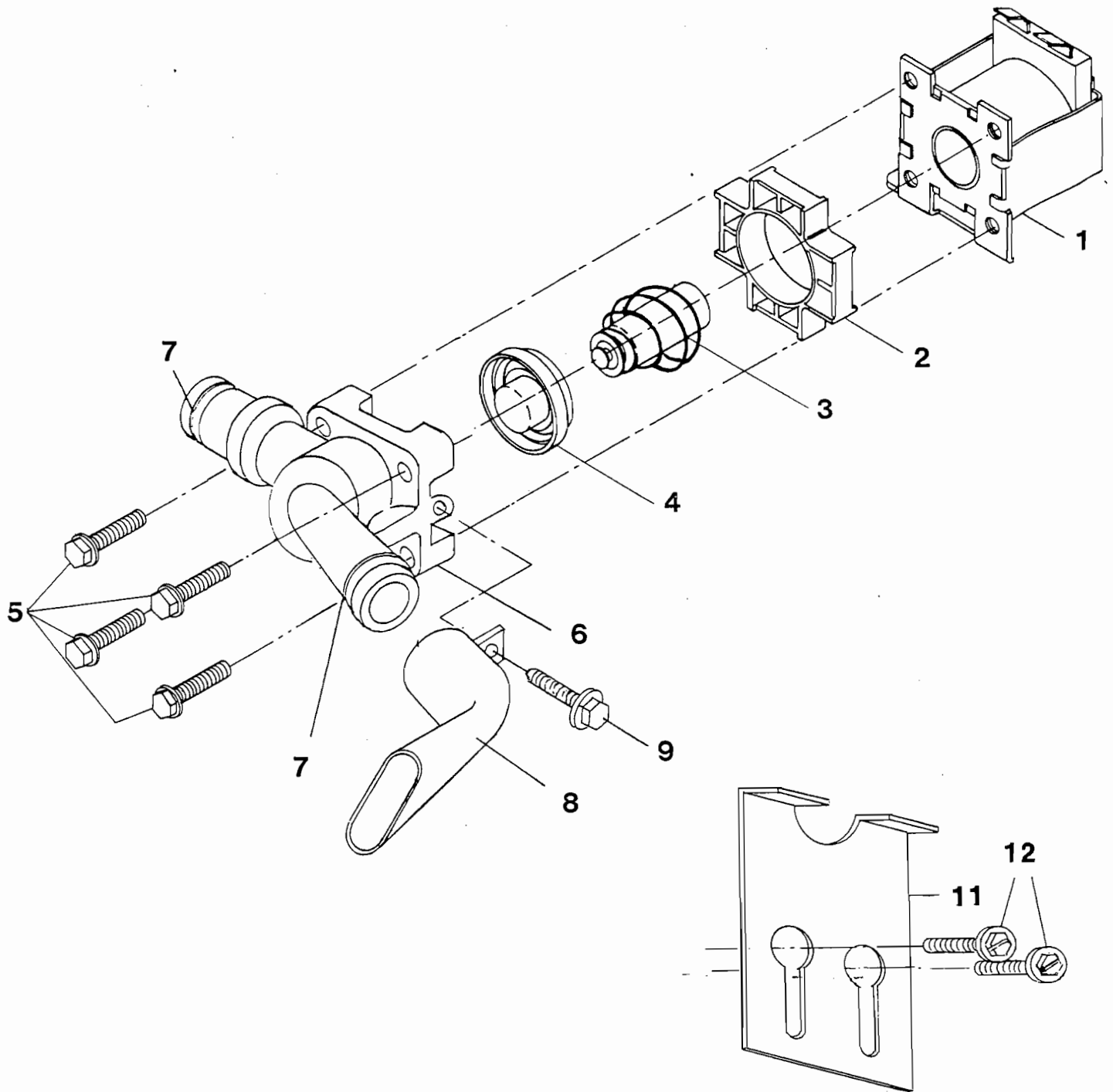
1. Tank Asm Welded	30655
2. Petcock Drain, Tank	00774
3. Gasket, HTW Tank	22927
4. Tube Asm Fill	22915
5. Tube, Overflow, LG	30062
6. Nut, 5/8 Compression	13109
7. Fitting, CMP 5/8 Imperial 60-F	13110
8. Float, Tank, Gray	29294
9. Rod, Float	30354
10. Cap, Float Rod	26363
11. Fastener, Push-On, TNN	29644
12. Stop, Float Rod	30197
12A Screw, 6-32 x 3/16 Allen Set	30355
13. Float & Rod Asm (Incl. Items 8-12A)	30658
14. Nut, 6-32 Twin-Speed	01179
15. Switch, Float	19509
16. Switch Asm Float	30438
17. Cover, Insulation	00784
18. Screw, 6-32 x 2 1/2 RH, SCP	20050
19. Lid Asm, HTW Tank, Welded	30659
20. Screw, 6-32 x 1 PH, F, TP	17654
21. Screw, 8-32 x 3/4 PH Brass	21143
22. Nut, 8-32 Stand-Off, AL	21390
23. Screw, 8-32 x 2 PH Brass	21142
24. Thermosink, Copper	23772
25. Thermostat 195° LG	30571
26. Terminal UFO-S .250 Pink	26837
27. Nut, 8-32 Kep	11749
28. Cover, Thermodisc	30657
29. Nut, 8-32 Knurled AL	05625
30. Lens (only) RED	27934
31. Lamp Asm Indicator Red (Incl. Item 30)	14531
32. Hose, Overflow (Bulk No. Per Ft., 6 Ft. Per Unit)	24759
33. Jacket Asm HTW Tank	31161
34. Gasket, Heater	21684
35. Heater & Gasket 120V, 1500W	21801
36. Washer, 3/8 x 7/8 CD	05170
37. Nut, 1/4-20 Kep, SCP	12518
38. Cable Asm Heater LG	30607
(Incl. Items 38A & 1 of Item 15)	
38A Jumper, Thermostat to Float Switch (Sold as Part of Item 38 Only)	
39. Harness Asm Water Inlet LG	30605
40. Clamp, Eaton R-14	13315



HOT WATER TANK 2000 FD

HOT WATER TANK 2000 FD

1.	Tank Asm Welded.	22897
2.	Petcock Drain, Tank	00774
3.	Gasket, HTW Tank	22927
4.	Tube Asm Fill	22915
5.	Float, Tank, Gray.	29294
6.	Rod, Float	30354
7.	Cover, Access	19025
8.	Cap, Float Rod	26363
9.	Fastener, Push-On, TNN	29644
10.	Stop, Float Rod.	30197
10A	Screw, 6-32 x 3/16 Allen Set	30355
11.	Float & Rod Asm (Incl. Items 5-10A)	30196
12.	Nut, 6-32 Twin-Speed	01179
13.	Switch, Float	19509
14.	Switch Asm Float.	30438
15.	Cover, Insulation	00784
16.	Screw, 6-32 x 2 1/2 RH, SCP.	20050
17.	Lid Asm, HTW Tank, Welded	30632
18.	Screw, 6-32 x 1 PH F TP.	17654
19.	Screw, 8-32 x 3/4 PH Brass	21143
20.	Nut, 8-32 Stand-Off, AL	21390
21.	Screw, 8-32 x 2 PH Brass.	21142
22.	Thermosink, Copper.	23772
23.	Thermostat 180°F FD	21899
24.	Nut, 8-32 Kep	11749
25.	Cover, Thermodisc	21829
26.	Nut, 8-32 Knurled AL	05625
27.	Lens (only) RED	27934
28.	Lamp Asm Indicator Red (Incl. Item 27)	14531
29.	Hose, Overflow (Bulk No. Per Ft., 6 Ft. Per Unit)	24759
30.	Cover HTW Tank FD	29909
31.	Gasket, Heater.	21684
32.	Heater & Gasket 120V, 1500W	21801
33.	Washer 3/8 x 7/8 CD	05170
34.	Nut 1/4-20 Kep SCP	12518
35.	Cable Asm Heater FD	30606
	(Incl. Items 35A & 1 of Item 13)	
35A	Jumper, Thermostat to Float Switch (Sold as Part of Item 35 Only)	
36.	Harness Asm Water Inlet FD.	30604

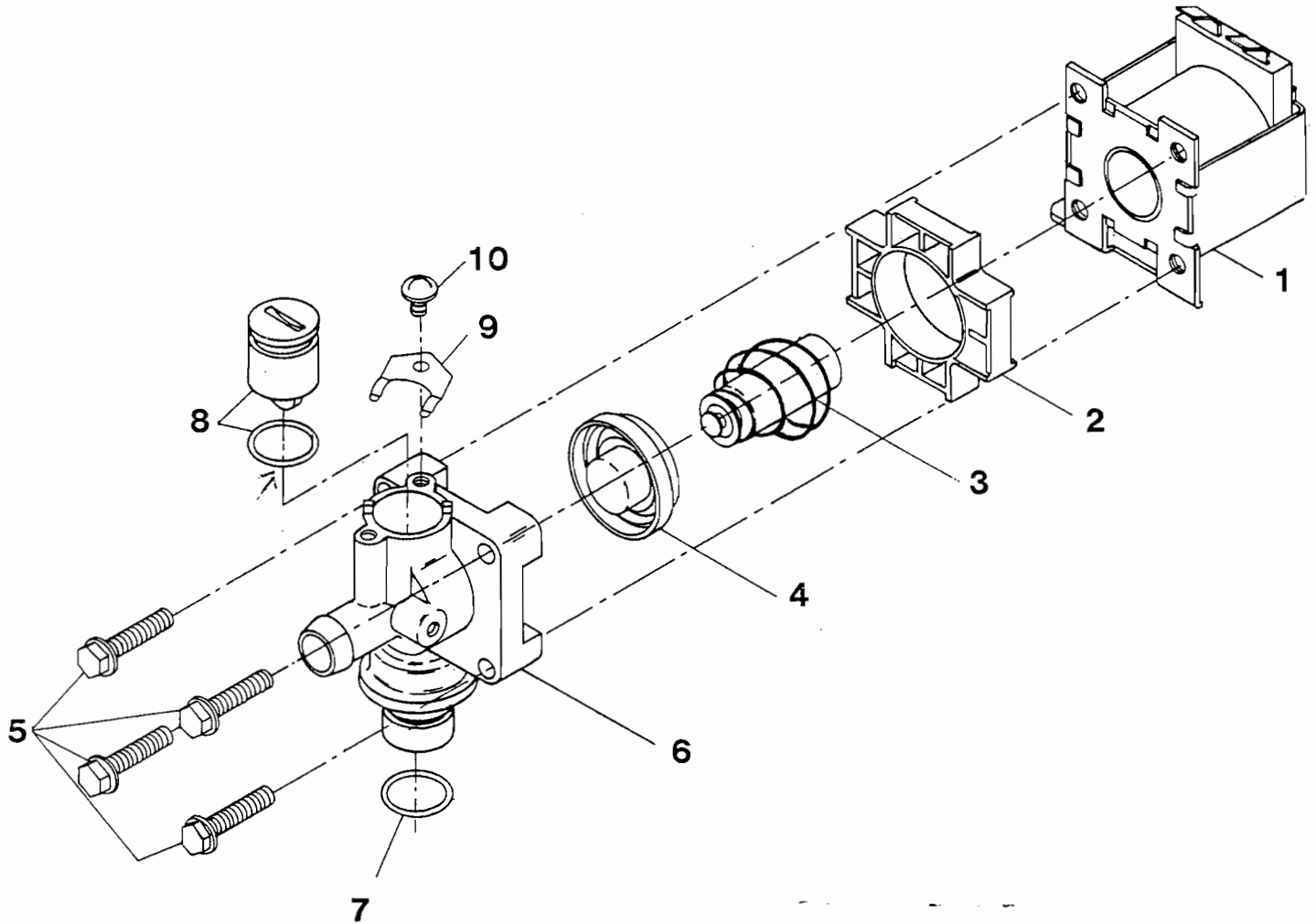


EATON BREWER VALVE ASSEMBLY

Items with Part Numbers are Stocked by RMI

1. Coil, Red	30596	8. Spout, Brewer Valve, Black	28733
2. Adapter	27787	9. Screw, 6 x 5/16, PH, Type 25, SCP	28825
3. Armature & Spring	30598	10. Valve Asm Brewer (Incl. Items 1-9).	30854
4. Diaphragm	27793	11. Bracket, Brewer Valve Retainer	28814
5. Screw, Valve Mounting		12. Screw, 8-32 x 3/8, HH, SCP	14806
6. Body, Brewer Valve, White	28732		
7. "O" Ring, 1/2 x 5/8	14759		

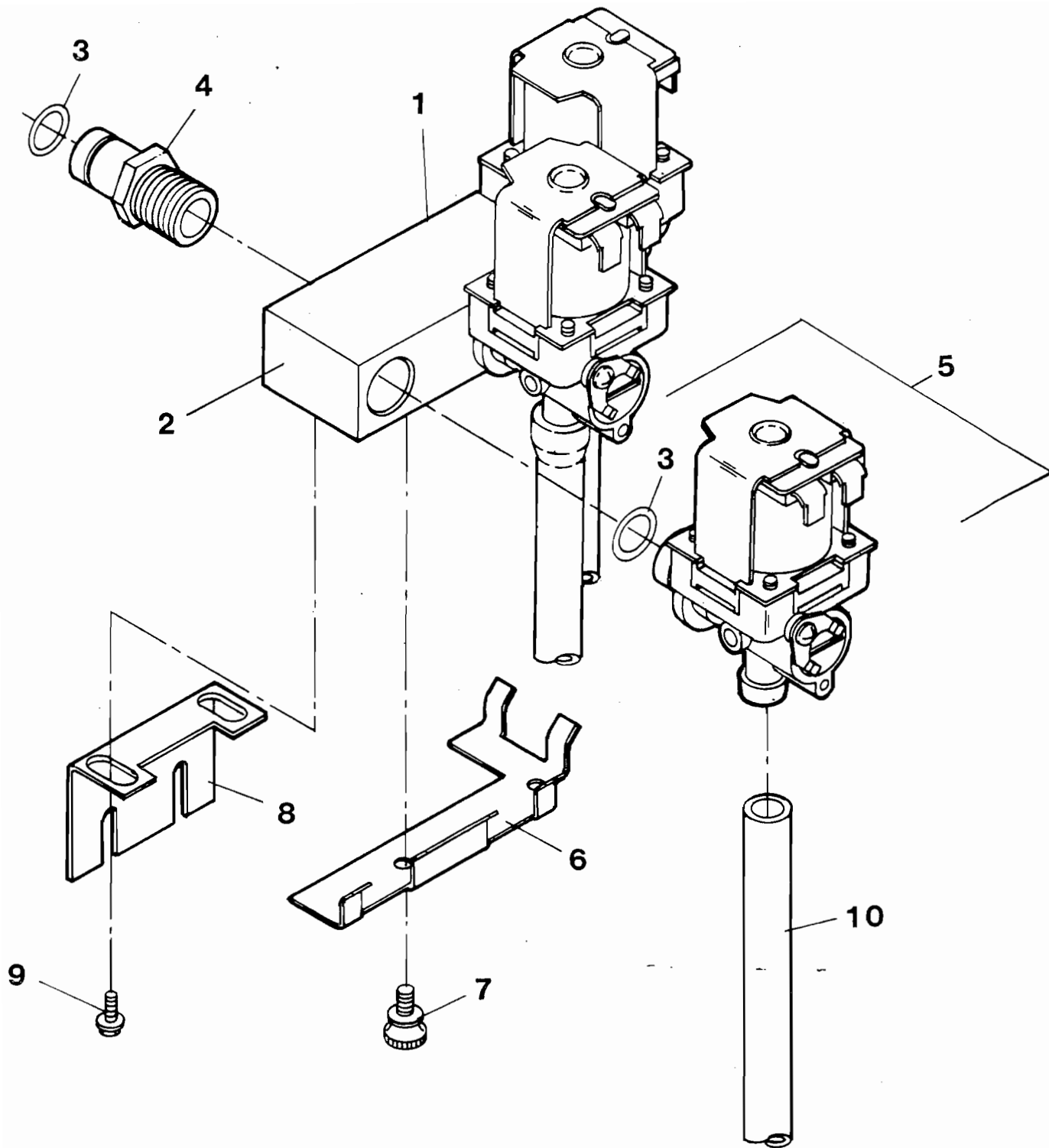
Note: Items 11 & 12 are Sold Separately from Valve Asm, Item 10



EATON COMMODITY VALVE ASSEMBLY — 30860

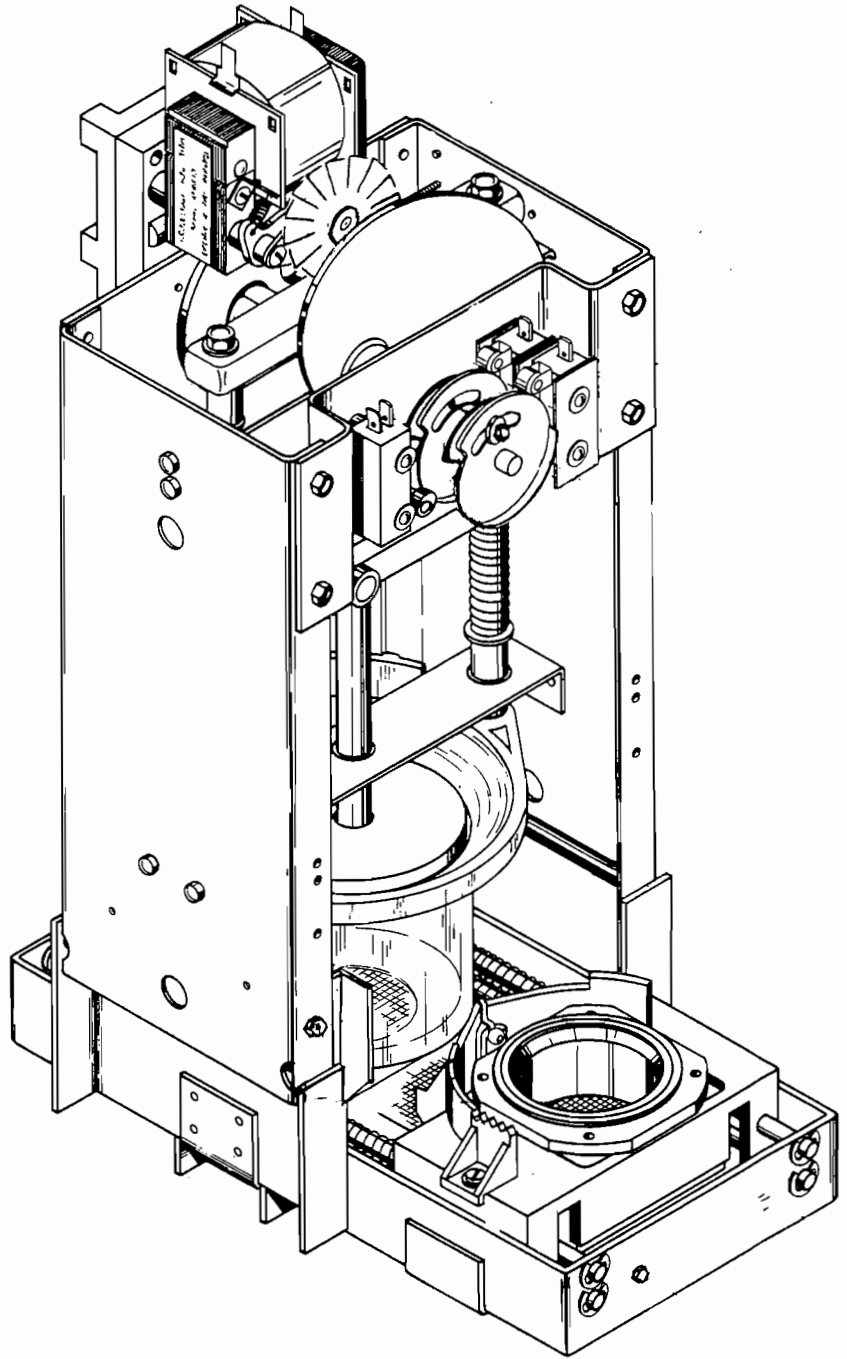
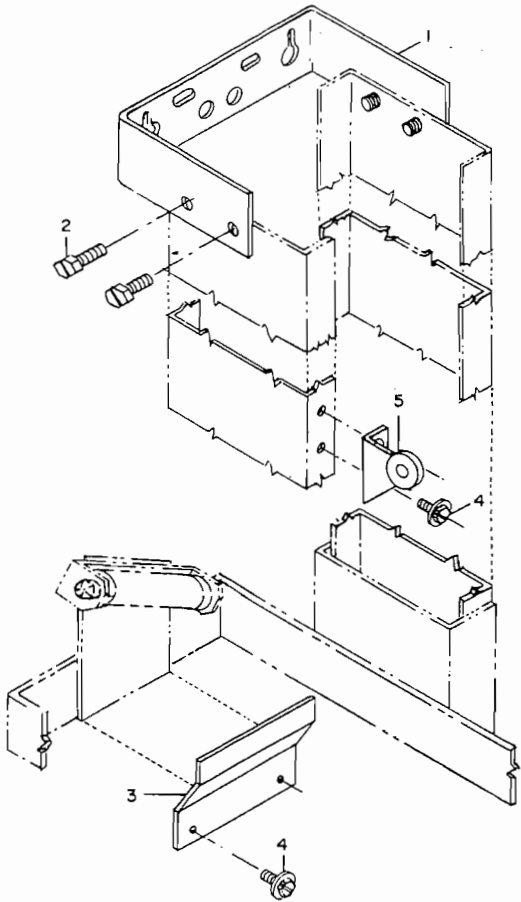
Items with Part Numbers are Stocked by RMI

1. Coil, RED	30596	7. "O" Ring, ½ x 5/8	14759
2. Adapter	27787	8. Adjusting Screw Asm (Incl. Item 7)	27788
3. Armature & Spring	30598	9. Clip	
4. Diaphragm	27793	10. Screw, Locking	
5. Screw, Valve Mounting		11. Valve Asm Commodity (Incl. Items 1-10)	30860
6. Body, Valve, White	27786		



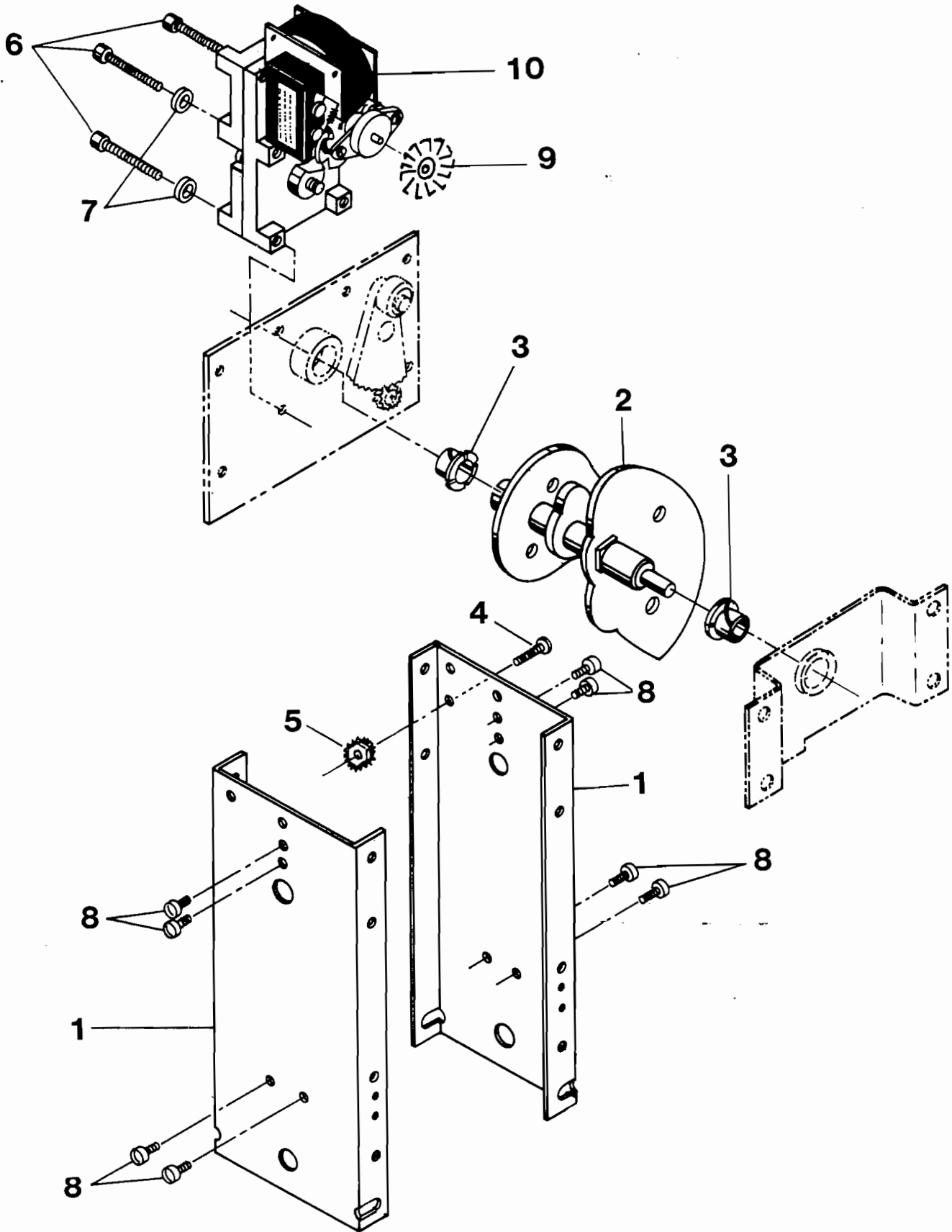
MANIFOLD & VALVE ASSEMBLY – EATON COMMODITY VALVES

1. Manifold & Valve Asm. (Incl. Items 1-7)	30861	6. Bracket, Valve Retainer	28667
2. Manifold, Block Only	28522	7. Screw, Bracket Retainer	29140
3. "O" Ring	14759	8. Bracket, Manifold Retainer	28614
4. Adapter	16216	9. Screw 8/32 x 3/8 HH ST	14806
5. Valve Asm Eaton	30860	10. Tube Silicone (Per Ft.)	19033



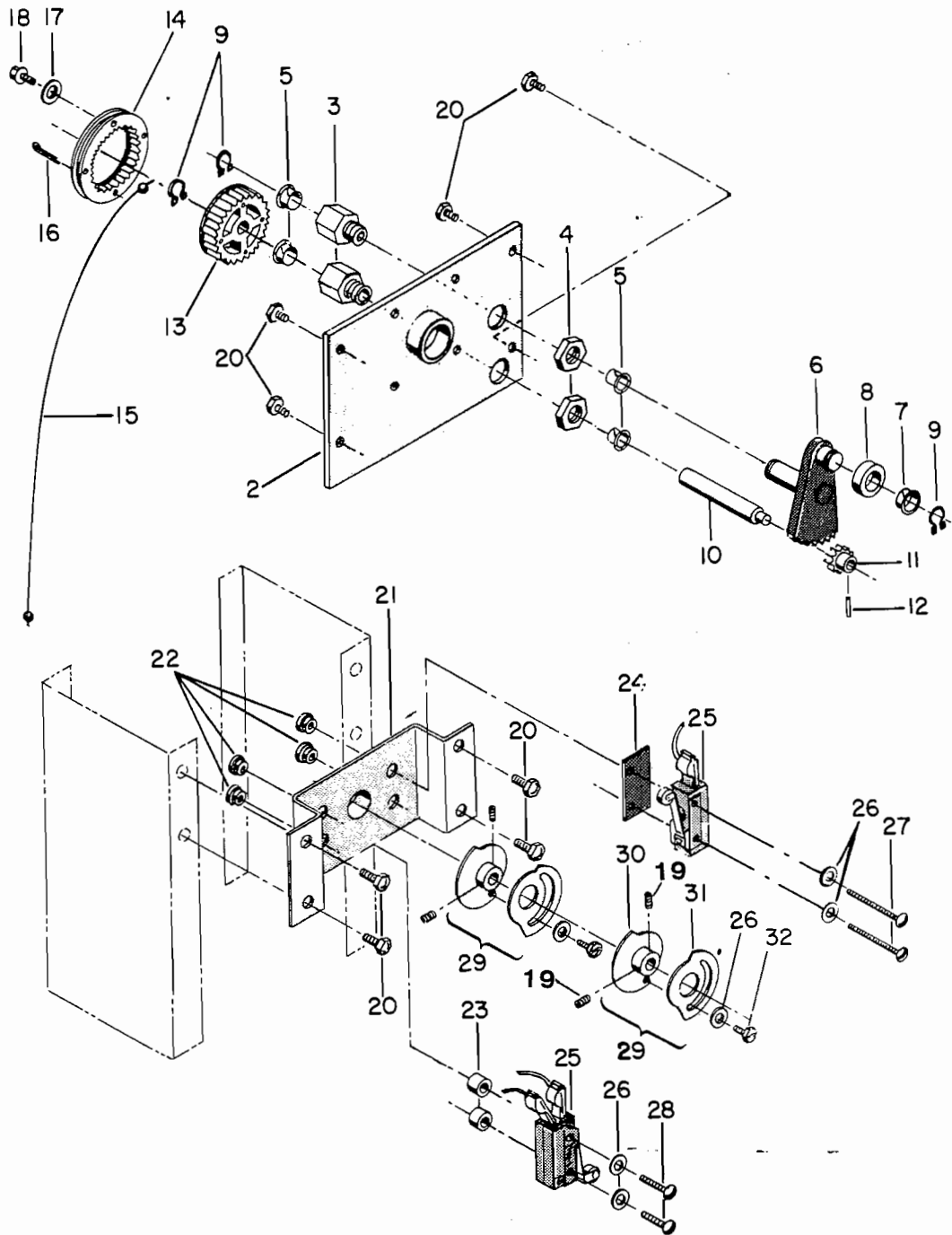
BREWER ASM 2000LG – 30570

1. Bracket, Brewer Hanger	17730
2. Screw, 10-32 x 3/8, HH, SD, CD	14805
3. Clip, Shipping, Brewer	18226
4. Screw, 8-32 x 3/8, HH, SCP	14806
5. Bracket Asm, Coffee Hopper Positioning	18853



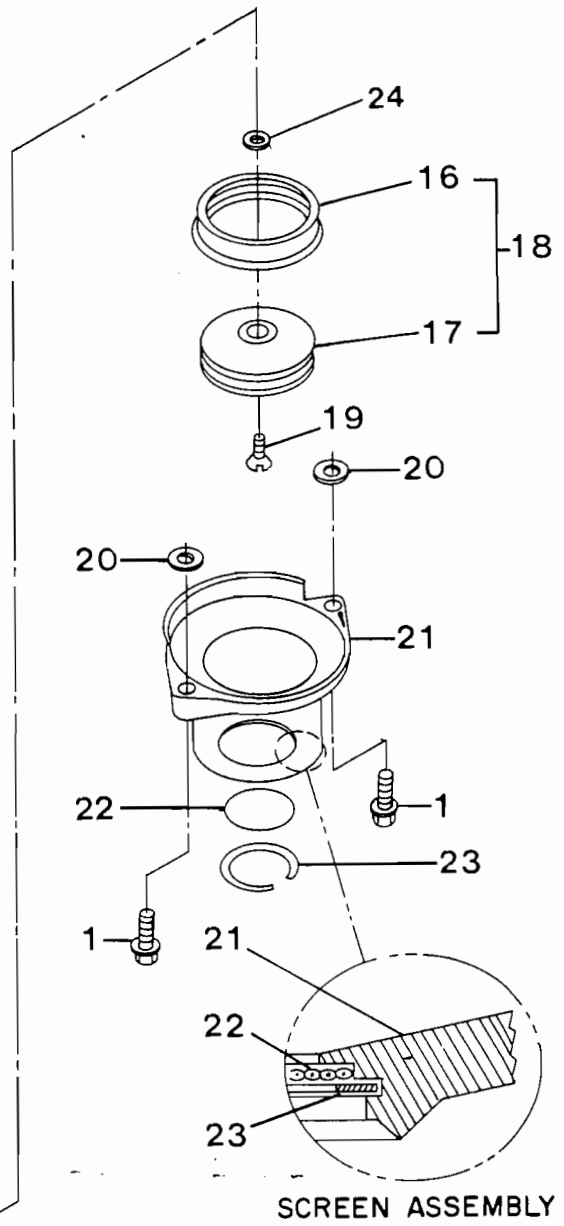
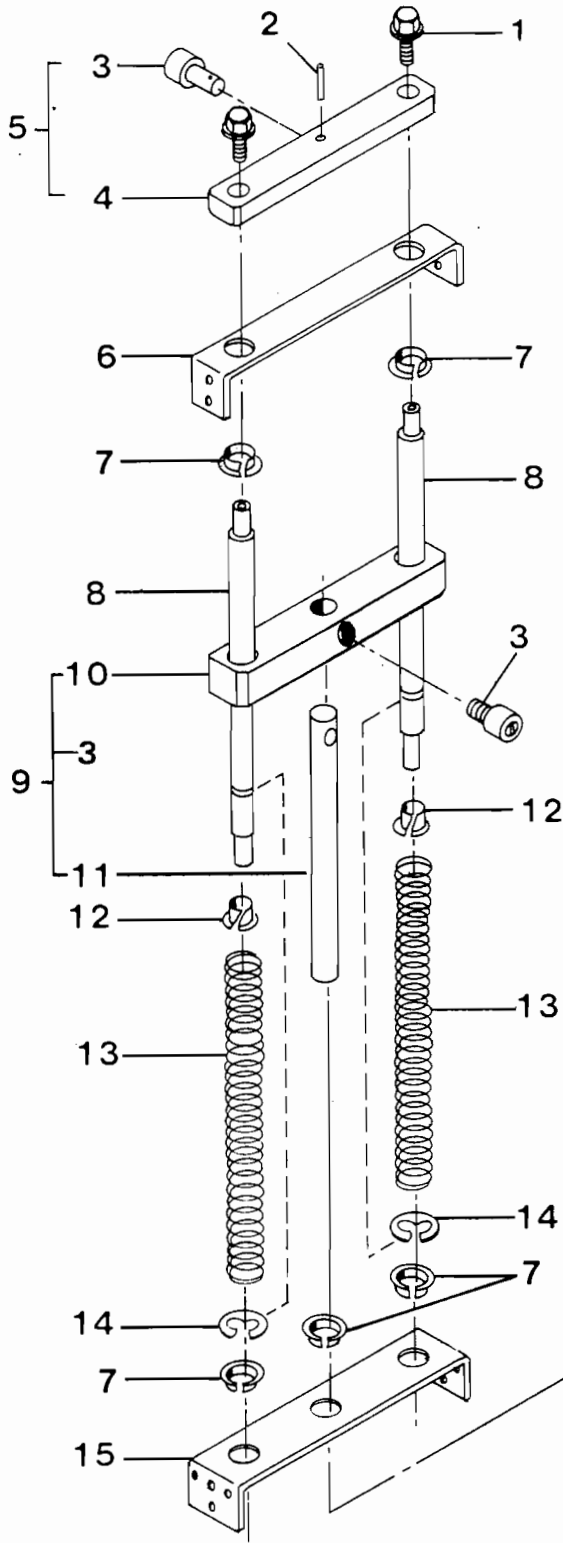
BREWER MAIN FRAME ASSEMBLY

1. Channel, Brewer Side.	17332	6. Screw, 10-32 x 2, SK, CAP	17846
2. Cam Asm, Brewer.	17519	7. Washer, Lock, #10, Internal Star, SCP.	17423
3. Nyliner, 12L12FGS.	17425	8. Screw, 10-32 x 3/8, HH, SD, CD	14805
4. Screw, 8-32 x 1 1/4, RH, M, PL	17413	9. Blade, Fan, 1 5/8 Dia.	17584
5. Nut, 8-32, KEP	11749	10. Motor, 120V, 60 Hz	17365



BACK PLATE & FRONT CHANNEL ASSEMBLY

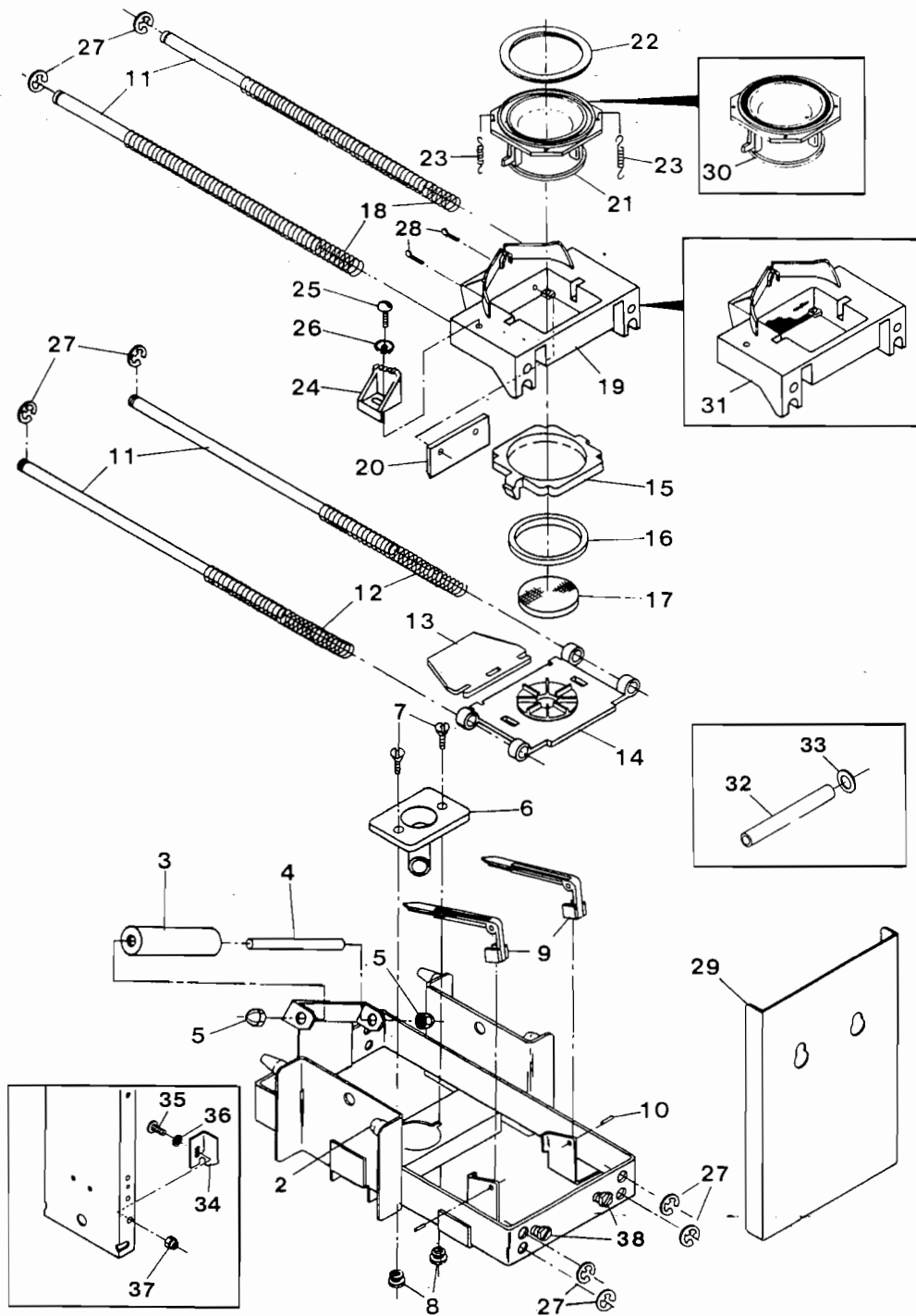
1. Panel Asm, Brewer, Back, Complete (Incl. Items 2-18)	18970	17. Washer, Flat, #8 Plated	00961
2. Panel, Back Asm	17531	18. Screw, #8-32 x 3/8 S.T.H.H.	14806
3. Sleeve, Bearing	17683	19. Screw, #6-32 x 3/16 Socket Set, Cup Point	00652
4. Nut, 5/8-18 x 3/16, HEX, BR	00822	20. Screw, #10-32 x H.H.S.T. Plated	14805
5. Nyliner, Bearing, 6L6F	16058	21. Channel Asm, Front Brewer	18971
6. Gear Asm, Segment	15522	22. Insulator, Threaded	17848
7. Nyliner, Cam Follower, Special	16438	23. Spacer, Nylon	17874
8. Cam Follower	15512	24. Insulator, Spacer	19557
9. Ring, Retaining, Waldes 5100-37MD	07296	25. Switch, Unimax, AA413A	17583
10. Shaft, Pinion	15521	26. Washer, Flat, #6, SCP	00826
11. Pinion, Gear	15520	27. Screw, #6-32 x 1 3/4 H.H. Plated	17428
12. Pin, Roll, 3/32 x 1/2 SS	14511	28. Screw, #6-32 x 1 1/2 R.H. Plated	17429
13. Spool, Hub	15554	29. Cam Asm, Complete	13147
14. Spool	15553	30. Cam w/Hub, Stationary	13151
15. Cable Asm, Slow Return	17404	31. Cam, Slotted	13152
16. Pin, Cotter, 1/16 x 3/4 SS	17412	32. Screw, #6-32 x 1/4 H.H.S.T. Plated	13154



SCREEN ASSEMBLY

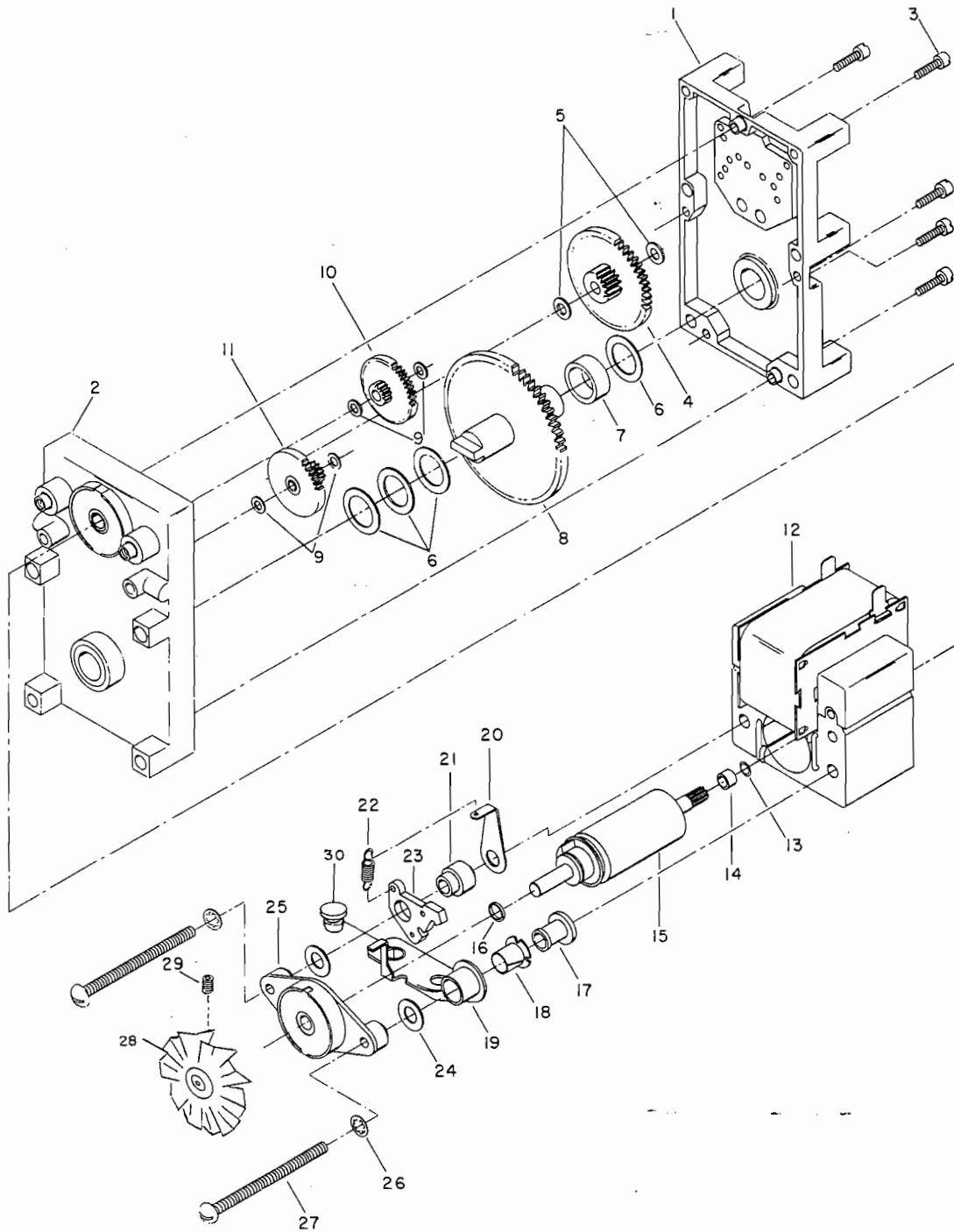
CYLINDER AND PISTON ASSEMBLY

1. Screw ¼-20 x ½ H.H. Washer Faced	17415	13. Spring, Piston Return.	11956
2. Pin, Spring 1/32 x ½ S.S..	14511	14. Ring, Retaining, 7/16 SS.	17426
3. Follower, Cam.	11947	15. Bracket, Bottom Guide	17325
4. Bridge, Cylinder.	17324	16. Seal, Silicone White.	29482
5. Bridge Asm, Complete (Incl. Items 2, 3 & 4)	18996	17. Piston, Molded, Red	29481
6. Guide Top Support.	17326	18. Piston Asm Complete (Incl. Items 16, 17 & 24).	29483
7. Nyliner, 8L2FF	17402	19. Screw ¼-20 x 1¼ FHST Nylock.	12716
8. Rod, Cylinder	17322	20. Washer, Special, Cylinder	13839
9. Bridge Asm, Piston (Incl. Items 3, 10 & 11)	18997	21. Cylinder	14394
10. Bridge, Piston	17323	22. Screen, Cylinder.	14395
11. Rod, Piston	17327	23. Ring, Retainer.	14543
12. Nyliner, 8L12F	17403	24. Gasket, Rod Seal	13085



BREWER BASE ASSEMBLY – WITH DEEP CAVITY BREW CHAMBER

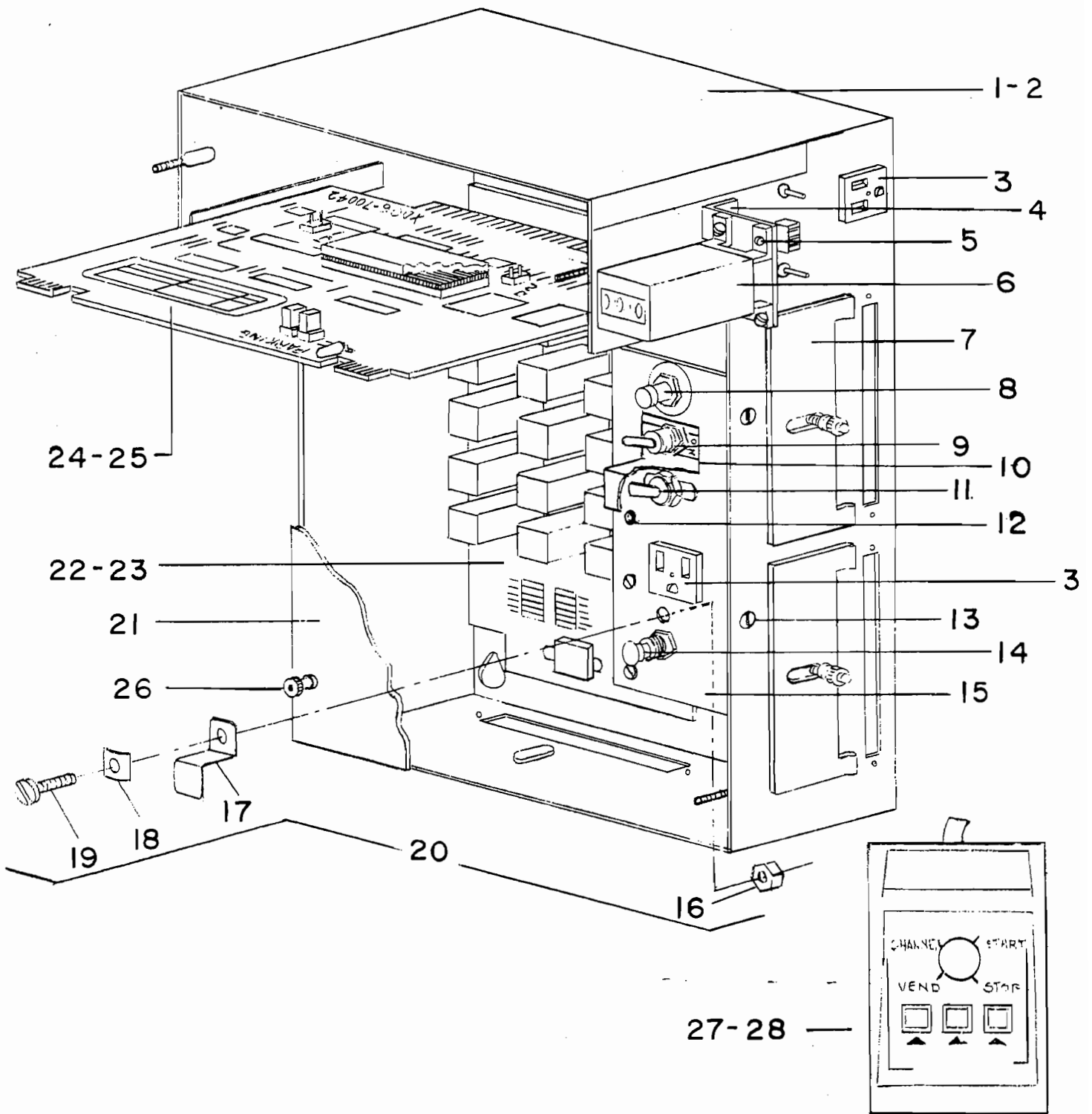
1. Base Asm. Complete (Incl. Items 1-31)	28534	20. Blade, Wiper	28526
2. Frame, Only	28531	21. Chamber, Brew	28406
3. Idler, Roller	14370	22. Seal, Brew Cavity	12798
4. Shaft, Idler.	16291	23. Spring, Brew Chamber	14435
5. Push Nut, Palnut	16419	24. Tripper, Ratchet	18237
6. Funnel	17898	25. Screw, #6-32 x 3/8 S.T. Pan, Plated	19856
7. Screw, #6-32x1/2 F.H.S.S.	15022	26. Washer, Lock, 1606 External	18246
8. Nut, Thumb, #6-32.	04862	27. Ring, Retaining	14499
9. Pawl	15019	28. Pin, Cotter, 1/16 x 1/2 S.S.	06031
10. Pin, 1/16 x 1/4 S.S.	14780	29. Guard, Splash, Brewer	30840
11. Rod, Carriage & Filter Support	14344	30. Chamber w/Seal Installed	29372
12. Spring, Filter Return	14354	31. Carriage, Brew, w/Wiper Installed.	29373
13. Cover, Funnel	27926	32. Tube, PVC, Brewer to Trough (Order per/Ft.)	11115
14. Support, Filter	28020	33. Ring, Drip	19047
15. Filter	16721	34. Bracket, Latch, Base Asm	27519
16. Seal, Ring Filter.	16724	35. Screw, #8/32 x 1/2 PH, M, PL	11073
17. Screen, Support, Filter	16723	36. Washer, Flat #8 SCP	00961
18. Spring, Carriage Return	15528	37. Nut, #8/32 Stop SCP.	21042
19. Carriage, Brew.	15018	38. Screw, #10/32 x 3/8 HEX Head	14805



BREWER MOTOR FOR 2000 LG – 17365

Items with part numbers are stocked by RMI

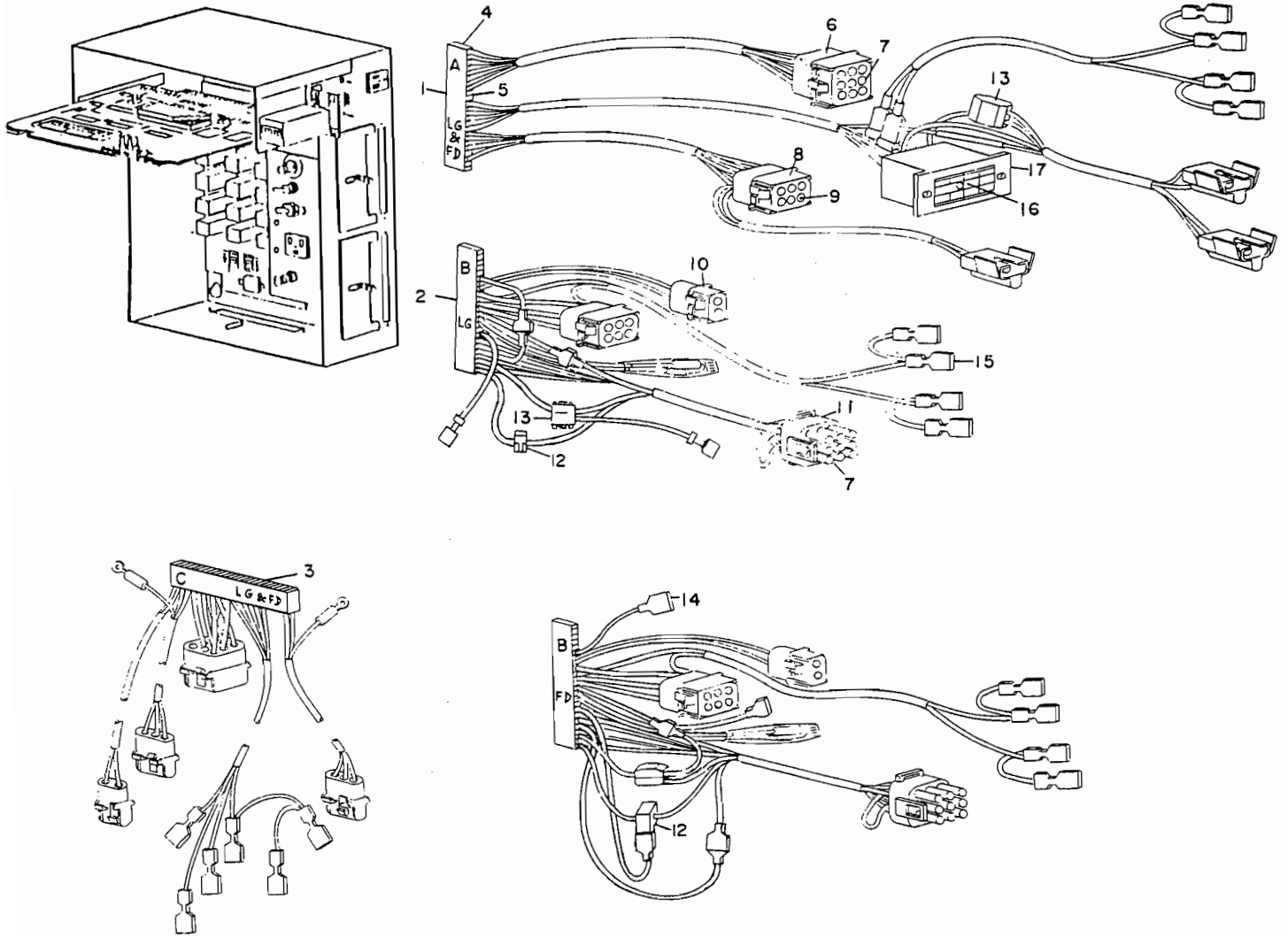
1. Gear Case Asm, Mounting Side		16. Spacer	
2. Gear Case Asm, Motor Side		17. Pivot, Armature Slide	
3. Screw, Cover		18. Bearing, Liner	
4. Gear & Pinion, 3rd Position	28417	19. Armature, Brewer Motor	22767
5. Washer, Spacer		20. Bracket, Spring	
6. Spacer, Output Shaft		21. Pivot, Pawl Side	
7. Spacer, Output Shaft		22. Spring, Brake	21495
8. Gear & Output Shaft Asm	28418	23. Arm, Brake, Plastic	21494
9. Washer, Spacer		24. Washer	
10. Gear & Pinion, 2nd Position	28416	25. Bearing & Bracket Asm.	22692
11. Gear & Pinion, 1st Position	28415	26. Washer, Internal Lock	
12. Stator & Coil Asm, 120V, 60HZ		27. Screw, 8-32 x 2½, RH	22772
13. Washer		28. Blade, Fan, 1 5/8 Dia.	17584
14. Spacer, Plastic		29. Screw, 8-32x3/16, Socket Set	03272
15. Rotor & Shaft Asm, 120V, 60HZ		30. Grommet, Silicone, Brake Pad.	29178



2000 ELECTRICAL BOX ASSEMBLY

1. Box Asm Electrical, Wired	29381	15. Bracket Asm, Switch & Breakers, Complete	24200
2. Box Asm Electrical, Welded	24894	16. Nut, 8-32 Stop, SCP	21042
3. Socket, Utility	14177	17. Bracket, Free Play	27358
4. Bracket, Counter	17209	18. Washer, Spring, Shakeproof	27360
5. Screw, 6-32 x 1/4, RH, M, SCP	09015	19. Screw, 8x1/2, PH A S-T	20676
6. Counter, 120V	17304	20. Bracket Asm Free Play (Incl. Items 16-19)	27359
7. Retainer, Edge Connector	28736	21. Lid Asm, Electrical Box	24287
8. Breaker, Circuit, 18 AMP, White	20174	22. Board, Control (Relay), XD06-70061 (New)	27175
9. Switch, Toggle, On-Off	17462	23. Board, Control (Relay), XD06-70061 (Repaired)	28762
10. Bracket for Switch & Breakers	24589	24. Board, Logic, XD06-70042 (New)	29137
11. Breaker, Circuit, 10 AMP, Black	20156	25. Board, Logic, XD06-70042 (Repaired)	29393
12. Lamp, Indicator, Red, Snap-In	21374	26. Nut, 8-32, Knurled, AL	05625
13. Screw, 8-32 x 1/4 PH	14487	27. Module, Service (New)	24002
14. Switch, Cycle	14572	28. Module, Service (Repaired)	27840

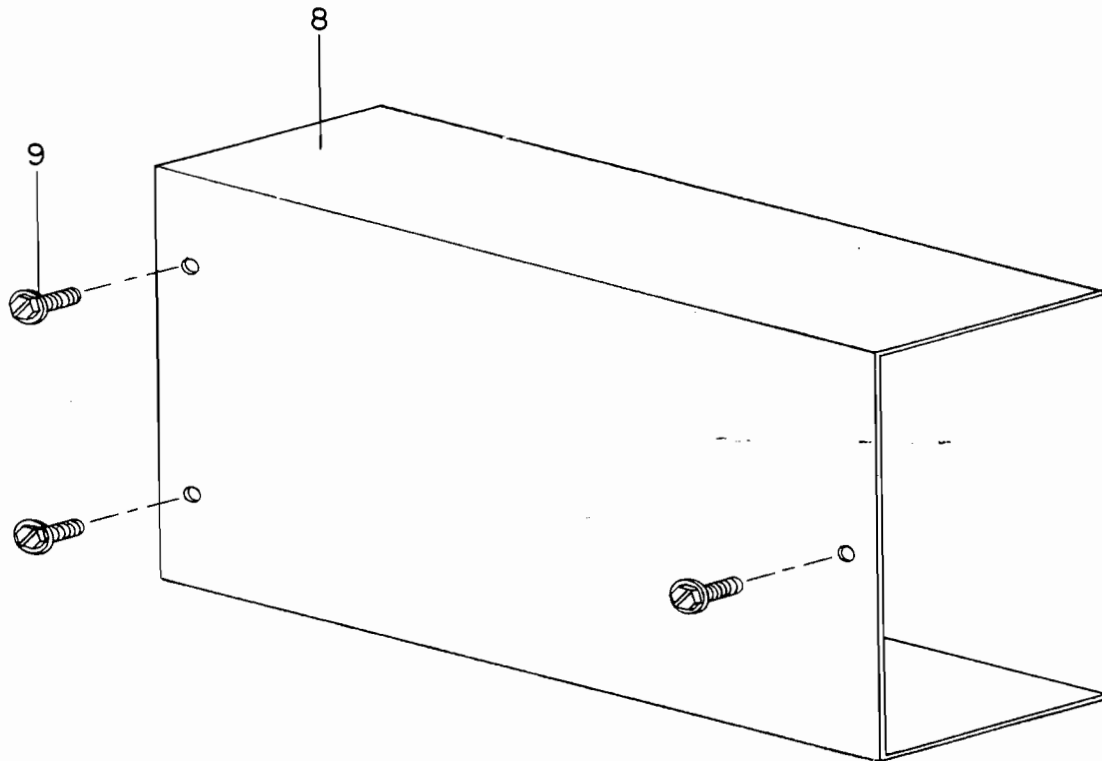
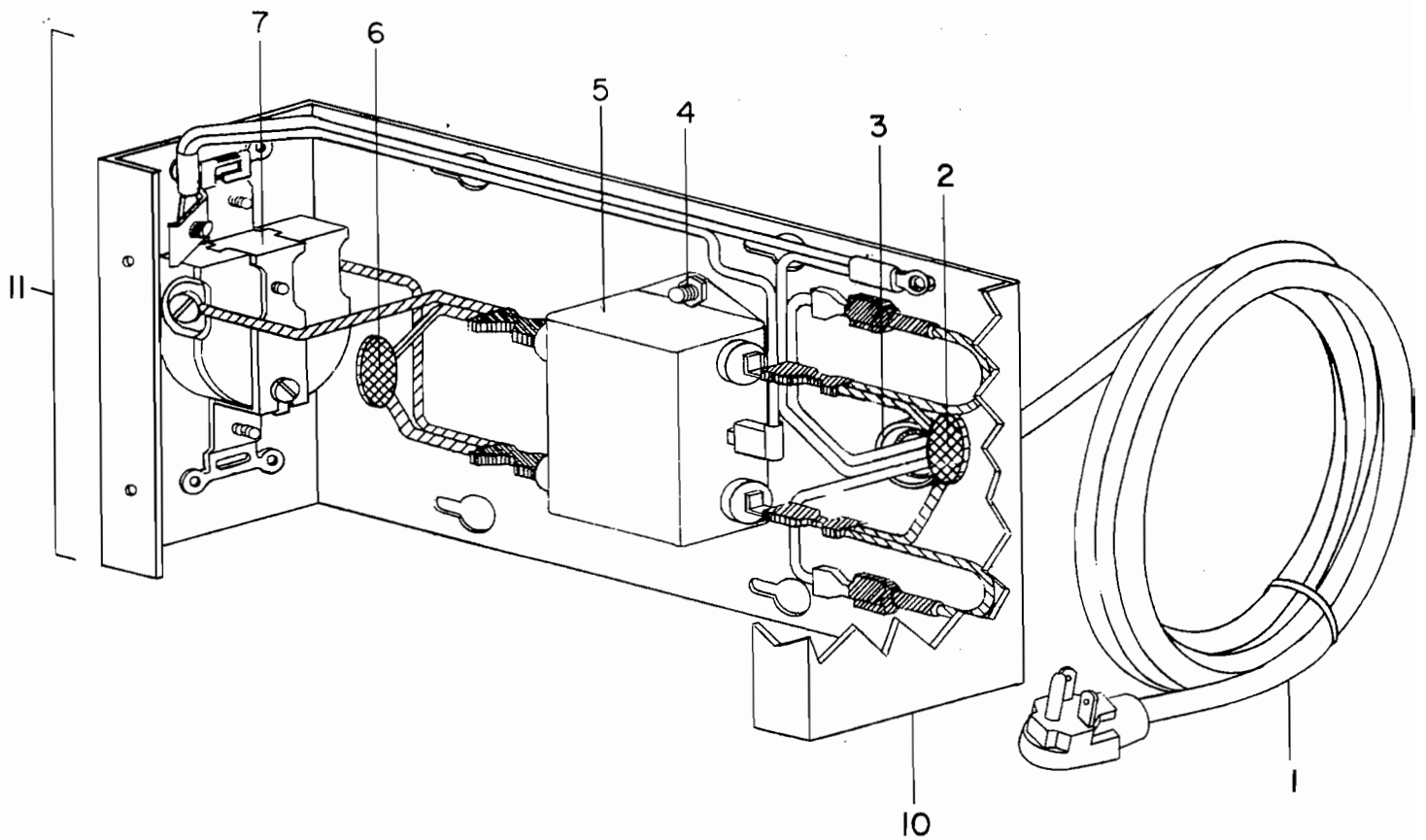
(Sold in Exchange for Repairable Module Only)



CONNECTING CABLES FOR ELECTRICAL BOX

1. Cable Asm "A" Connector (LG & FD)	30534	8. Cap, 6 Pin	28506
2. Cable Asm "B" Connector	30546	9. Terminal, Socket	28229
(Shown as Connected for 2000LG)		10. Cap, 2 Pin	28227
2A Cable Asm "B" Connector	30546	11. Plug, 9 Pin	27159
(Shown as Connected for 2000FD)		12. Splice, 3M, .250 T-Tap	28425
3. Cable Asm "C" Connector (LG & FD)	30540	13. Splice, Asm, Electro-Tap	23040
4. Connector, Edge	19496	14. Terminal, UFO-S, .250, Pink Tab	27408
5. Terminal, Edge Connector	19497	15. Terminal, UFO-D, .250, Blue	26838
6. Cap, 9 Pin	27155	16. Receptacle, Coin Mech	17020
7. Terminal, Socket	27156	17. Socket, Coin Mech	17018

For Electrical Box Asm. and Components, See Page 10.01



FILTER ASSEMBLY AND POWER CORD

1. Cord, Power	31058	7. Socket, Power, 20 AMP/120 Volt.	29980
2. Mov Asm, Filter Input	30892	8. Cover, Filter Box	29063
3. Clamp, Strain Relief, 3/8.	00253	9. Screw, 8-32 x 3/8, HH, SCP	14806
4. Nut, 6-32, Kep	11745	10. Box (Only), Filter.	29064
5. Filter, EMI.	29003	11. Box Asm Filter, Wired	30132
6. Mov Asm Input to Receptacle.	30057		

TROUBLE SHOOTING

PROBLEM	POSSIBLE CAUSE	REMEDY
NO POWER – COMPLETE MACHINE INCLUDING SERVICE LIGHT AND SERVICE OUTLET	Power cord unplugged Loose or broken wire in power cord Poor connection from power cord through in-line filter to electrical box (machines with in-line filters only) Power source breaker tripped No power coming from outlet	Plug in power cord Repair or replace Check all terminals Reset Check power source
MACHINE WILL NOT VEND OR ACCEPT MONEY	Power cord not plugged in Circuit breaker tripped On/Off switch open or defective Connectors on or wires going to On/Off switch defective Temporarily out of service light not lighting (sold out) – machine out of service Defective coin changer Defective logic board Defective relay board	Plug in power cord Reset or replace Replace Repair or replace Repair or replace light – service machine Replace Replace board Replace board
TEMPORARILY OUT OF SERVICE LIGHT ON (SOLD OUT)	CREM switch on the reservoir out of adjustment or defective Waste grounds bucket full of water Waste overflow bucket full of liquid Cup sold out switch out of adjustment or defective No cups in machine	Adjust or replace Empty bucket – look for cause of bucket filling Empty bucket – look for cause of bucket filling Adjust or replace Service
LOGIC BOARD LED CONTINUOUSLY LIT	Defective On/Off Switch Electronic Mode –Wired Defective logic board Defective relay board	Replace Plug in service module – reset if needed Replace Replace
TIMES CANNOT BE RESET	Defective Logic Board Defective Relay Board	Replace Logic Board or try retiming in another machine
NO WATER	Water supply turned off Clogged water filter Defective water in switch Defective water inlet valve If water is in machine and non dispensed from commodity valves	Turn on Replace Replace switch Repair or replace Check voltage to coil of valve. If OK, repair or replace valve

TROUBLE SHOOTING

PROBLEM	POSSIBLE CAUSE	REMEDY
EXCESSIVE AMOUNT OF LIQUID IN OVERFLOW WASTE BUCKET	Water in float switch out of adjustment or defective Defective float Commodity water valve leaking Water inlet valve leaking	Adjust or replace switch Replace float Repair or replace Repair or replace
LIGHTENER AND/OR SUGAR IN BLACK COFFEE	Clogged exhaust system Exhaust motor not running or defective Scratch or defective trough causing poor wash Timing light and/or sugar too early or late in trough – poor wash	Check steam exhaust (duct, hose, and fan). Clean as needed Replace Replace Check brewer for proper operation. If OK, retime lightener and/or sugar to drop after coffee is in the mixing trough. Use extra buttons when checking wash
WET GROUNDS DISPENSED FROM BREWER	Clogged filter Clogged support screen (coffee filter) Scored or cracked cylinder Worn or defective piston seal Clogged cylinder screen Improper grind of coffee Soft water causing excessive pressure	Replace Replace or clean Replace Replace Replace or clean Replace Contact RMI
WEAK AND/OR COLD COFFEE	Coffee water valve leaking Defective thermostat Defective heater Improper gram throw	Repair or replace valve Replace Replace Check and reset
CUP OCCASIONALLY OR FREQUENTLY NOT FULL (SHORT CUP)	Low voltage Reservoir float arm sticking or bent Float switch sticking or defective Brew water cycle switch defective Brew water valve opening late due to lime or mechanical defect Brewer cable not adjusted properly causing brewer leak Brewer motor coasting causing switch roller to be part way in water cam valley at start of next vend Commodity valves clogged with lime or defective Clogged water filter Low water supply	Use alternate power source Align or replace Replace Replace Repair or replace valve Adjust cable Inspect brewer motor brake. Inspect plastic brake stop attached to rotor of motor. Repair or replace valves Replace Use alternate water supply

TROUBLE SHOOTING

PROBLEM	POSSIBLE CAUSE	REMEDY
<p>WATER ONLY – NO COFFEE</p>	<p>Carriage wiper binding on brew filter</p> <p>Warped filter</p> <p>Bent filter support screen</p> <p>Brewer motor coasting</p> <p>Brewer double cycling due to defective or broken switch or loose cam</p> <p>Funnel and chute assembly door sticking open</p> <p>Faulty interlock switch</p> <p>No coffee in canister</p> <p>Coffee tunneling due to defective solenoid and/or agitator wheel</p> <p>Defective logic board</p> <p>Defective relay board</p>	<p>Clean brewer base assembly</p> <p>Replace</p> <p>Replace</p> <p>Check armature brake</p> <p>Check brake spring</p> <p>Check brake pad</p> <p>Check plastic brake stop attached to rotor of motor</p> <p>Replace switch or tighten cam</p> <p>Clean – Check spring</p> <p>Check for binding</p> <p>Replace</p> <p>Service</p> <p>Replace</p> <p>Replace</p> <p>Replace</p>
<p>WATER IN GROUNDS BUCKET</p>	<p>Coffee water valve leading</p> <p>Defective piston seal (wet grounds)</p> <p>Clogged coffee filter</p> <p>Brewer leading</p>	<p>Repair and replace valve</p> <p>Replace</p> <p>Replace</p> <p>Check for defective or worn parts – replace</p>
<p>BREWER LEAKING</p>	<p>Excessive amount of coffee grounds on brew base assembly</p> <p>Cracked or damaged cylinder</p> <p>Worn or damaged brew chamber seal</p> <p>Cracked or damaged brew chamber</p> <p>Worn seal ring or filter</p> <p>Cracked or damaged carriage</p> <p>Improper cable adjustment</p> <p>Soft water causing excessive pressure</p> <p>Base assembly – parts worn or broken (springs, pawls, etc.)</p>	<p>Clean</p> <p>Replace</p> <p>Replace</p> <p>Replace</p> <p>Replace</p> <p>Replace</p> <p>Adjust</p> <p>Contact RMI</p> <p>Replace parts</p>