

PARTS MANUAL

465A SERIES

BEGINNING WITH SERIAL NUMBER 46608



PARTS MANUAL

465A SERIES

BEGINNING WITH SERIAL NUMBER 46608



SPECIFICATIONS

RMI 465A

CAPACITY

7 oz. cups

465 cups

DIMENSIONS

Height

64"

Width

27"

Depth

25¼"

WEIGHT

Crated

265 lbs.

Net

228 lbs.

ELECTRICAL

Volts

120V

Amps

16 amps

WATER SYSTEM

Open

Yes

Min. Inlet Pressure

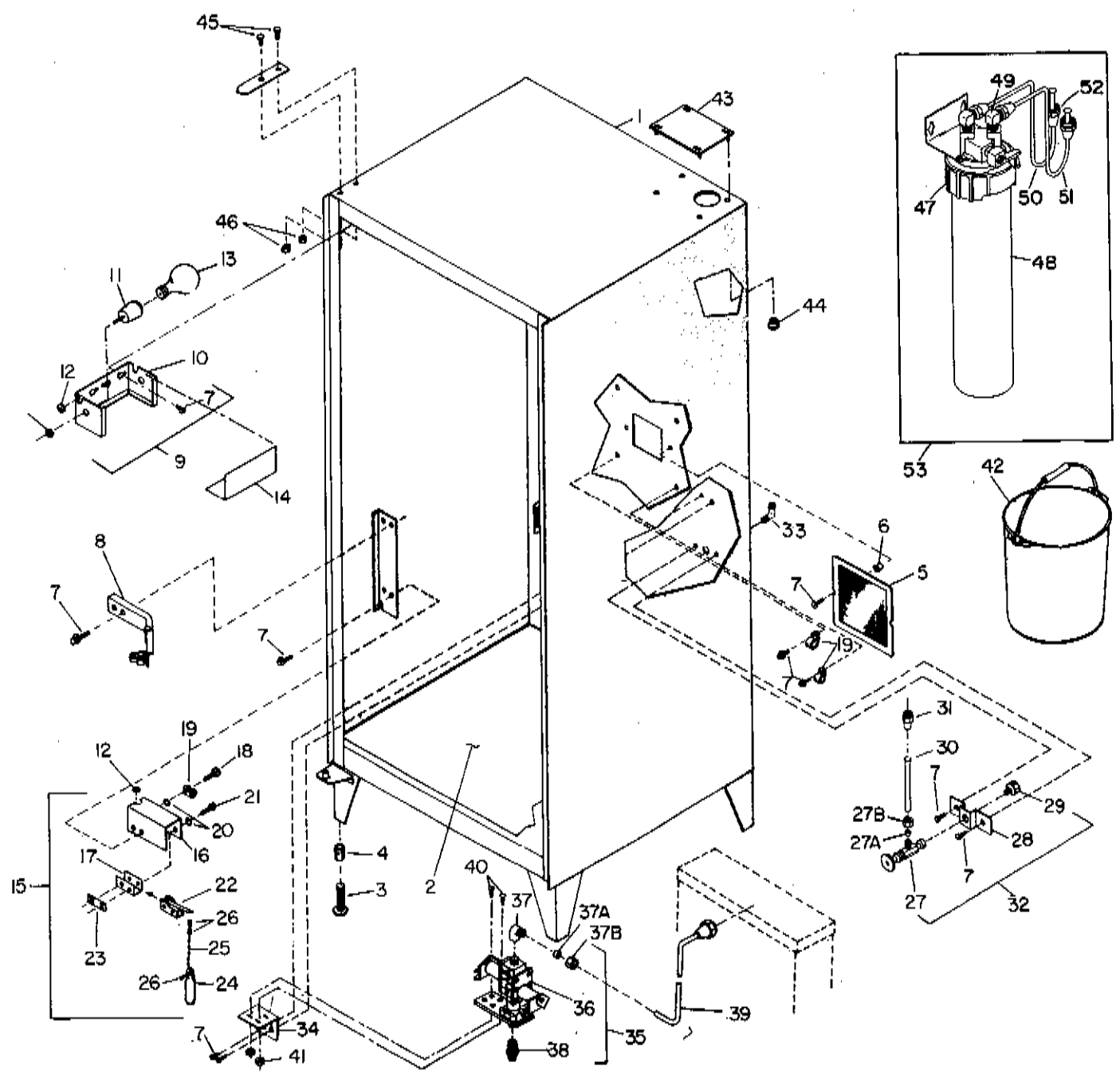
5 P.S.I.

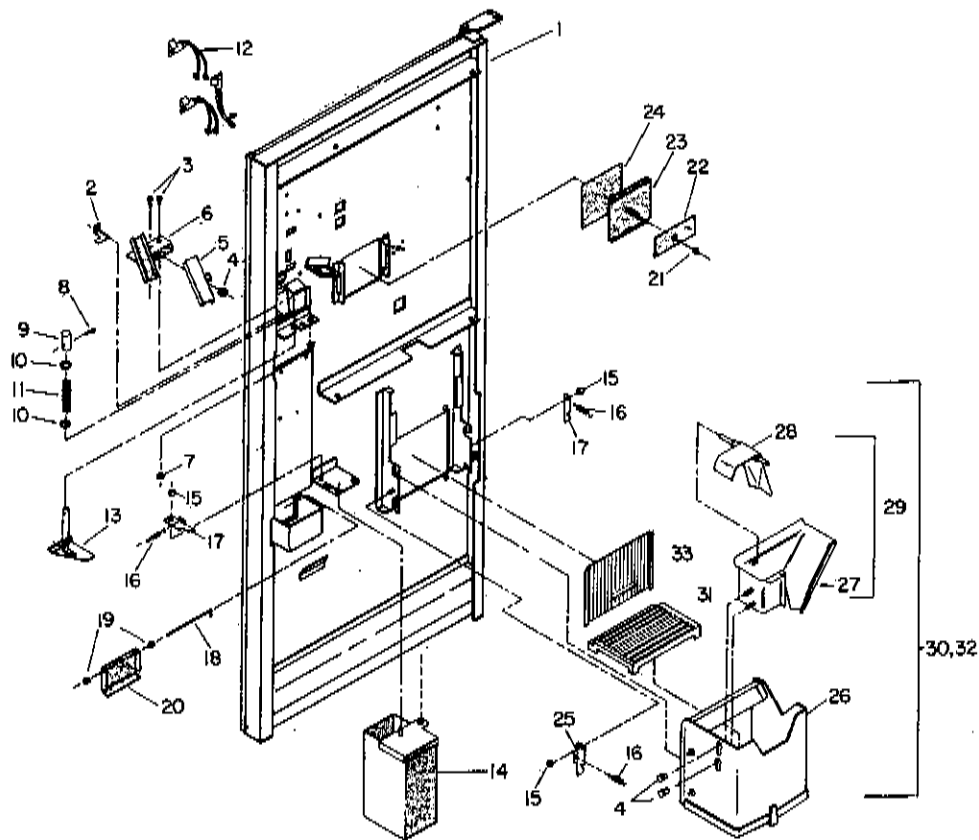
INDEX

Miscellaneous Items Inside Cabinet	1
Interior Door	3
Exterior Door	4
Cup Dispenser Cup Drop	5
Cup Dispenser	6
Canister Rack	7
Canister Assemblies	9
Water Inlet Valve Assembly	10
Hot Water Tank	11
Commodity Water Valve	13
Electrical Box	14
Wiring Diagram	17
Schematic Diagram	18

MISCELLANEOUS ITEMS INSIDE CABINET

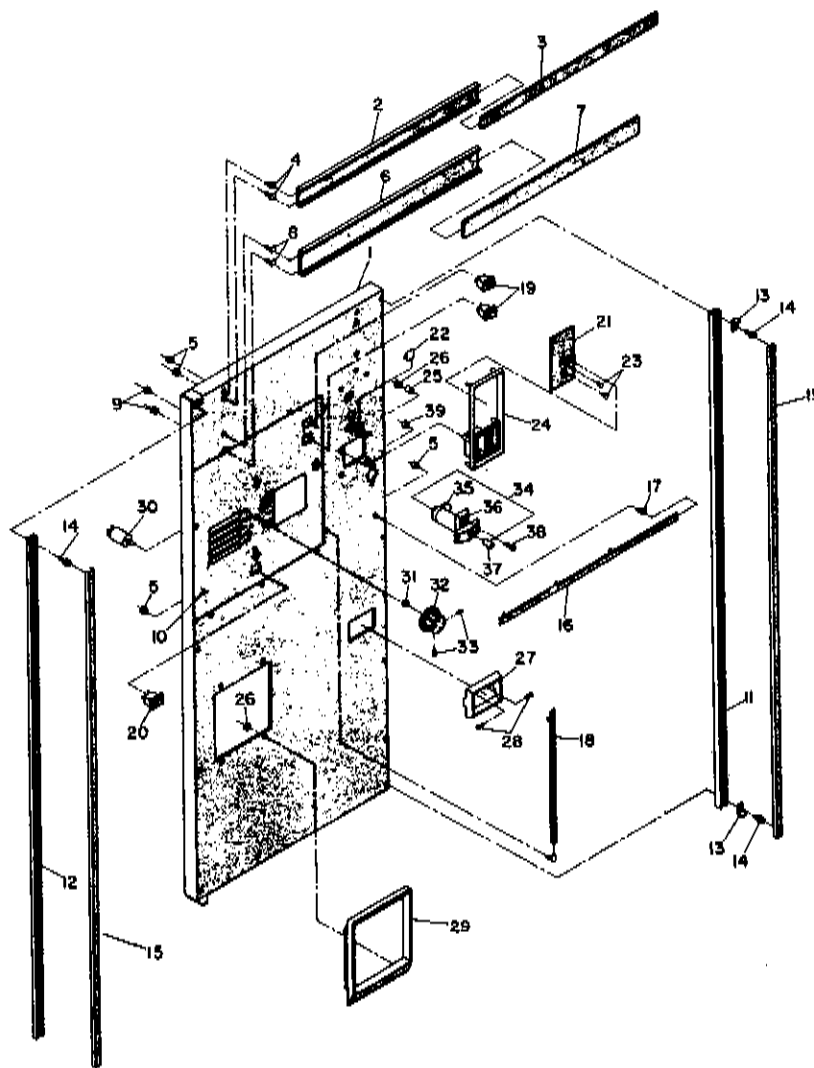
<p>1. Cabinet Ass'y, (Includes Items 2, 3 & 4) . . . A22030</p> <p>2. Covering, Floor. P22037</p> <p>3. Leveler P21194</p> <p>4. Cover, Leveler. P21541</p> <p>5. Screen. P14189</p> <p>6. Eyelet, Flat Flange P22360</p> <p>7. Screw, #8-32 x 3/8, H.H., Type F P14806</p> <p>8. Bracket, Commodity Tubing OBsolete A21149</p> <p>9. Light Assembly, Utility (Includes Items 10, 11 & 12) A18759 ²²³²¹ A18759</p> <p>10. Bracket, Utility Light. P14119</p> <p>11. Socket & Switch, Utility Light. P14112</p> <p>12. Grommet, Rubber P02083</p> <p>13. Bulb, 120 volt, 40 watt. P14140</p> <p>14. Lens, Utility Light. P14094</p> <p>15. Switch & Bracket Ass'y, Overflow (Incl. 12 & 16-26) A21259</p> <p>16. Bracket, Overflow Switch P21204</p> <p>17. Insulator, Fishpaper. P00784</p> <p>18. Screw, #6-32 x 1", R.H. P19126</p> <p>19. Clamp P17784</p> <p>20. Washer, Flat, #6 P03562</p> <p>21. Screw, #6-32 x 1", R.H. P00050</p> <p>22. Switch, Overflow. P05844</p> <p>23. Nut, Twin, #6 P01179</p> <p>24. Float. P04732</p> <p>25. Chain, Bead P03654</p> <p>26. Sleeve P03651</p> <p>27. Valve, Gate (Incl. 27A & 27B) P14924</p> <p>27A Sleeve, Compression. P13113</p> <p>8A BRACKET, COMMODITY TUBING. A22828</p>	<p>27B Nut, Compression P13112</p> <p>28. Retainer P19325</p> <p>29. Adapter. P19324</p> <p>30. Tube, Water Inlet P22219</p> <p>31. Nut, Flare P00049</p> <p>32. Inlet Ass'y, Water (Incl. Items 27 thru 31) A22600</p> <p>33. Elbow, 3/8 MPT x 3/8 P06225</p> <p>34. Bracket, Water Inlet Valve. P14502</p> <p>35. Valve Ass'y, Water Inlet (Incl. Items 36 thru 38) A22559</p> <p>36. Valve, Water Inlet (See Page 11) A22242</p> <p>37. Elbow, 1/4 FPT x 1/4 Tube (Includes Items 37A & 37B) P14304</p> <p>37A Sleeve, Compression. P18682</p> <p>37B Nut, Compression P18683</p> <p>38. Adapter, 3/8 MPT to 3/8 Flare Tube. P14923</p> <p>39. Tube Ass'y, Water Inlet OBsolete A22491</p> <p>40. Screw, #8-32 x 1/2, Pan Hd. P11073</p> <p>41. Nut, Kep, #8-32 P11749</p> <p>42. Pail, Waste P21139</p> <p>43. Plate, Vent. A18796</p> <p>44. Nut, Knurled, #8-32 P05625</p> <p>45. Screw, Weld, 1/4-20 x 5/8 P18406</p> <p>46. Nut, Kep, 1/4-20 P12518</p> <p>47. Filter System, Everpure QC-4 (Incl. Mtg. Brkt. & Item 56) P16986</p> <p>48. Cartridge, Everpure 4-H P16691</p> <p>49. Elbow, 3/8 MPT x 3/8 Flare Tube P06225</p> <p>50. Tube Assembly A22217</p> <p>51. Tube Ass'y. A22218</p> <p>52. Nut, 3/8 Flare. P00049</p> <p>53. Water Filter Conversion Kit (Incl. 47-52) A23374</p> <p>39. TUBING, WATER INLET 1 400 x 26" LONG A24682</p> <p>39A TUBING, SILICONE BRM. P25634</p> <p>39B CLAMP, TUBE, ER-7. P13894</p>
--	--





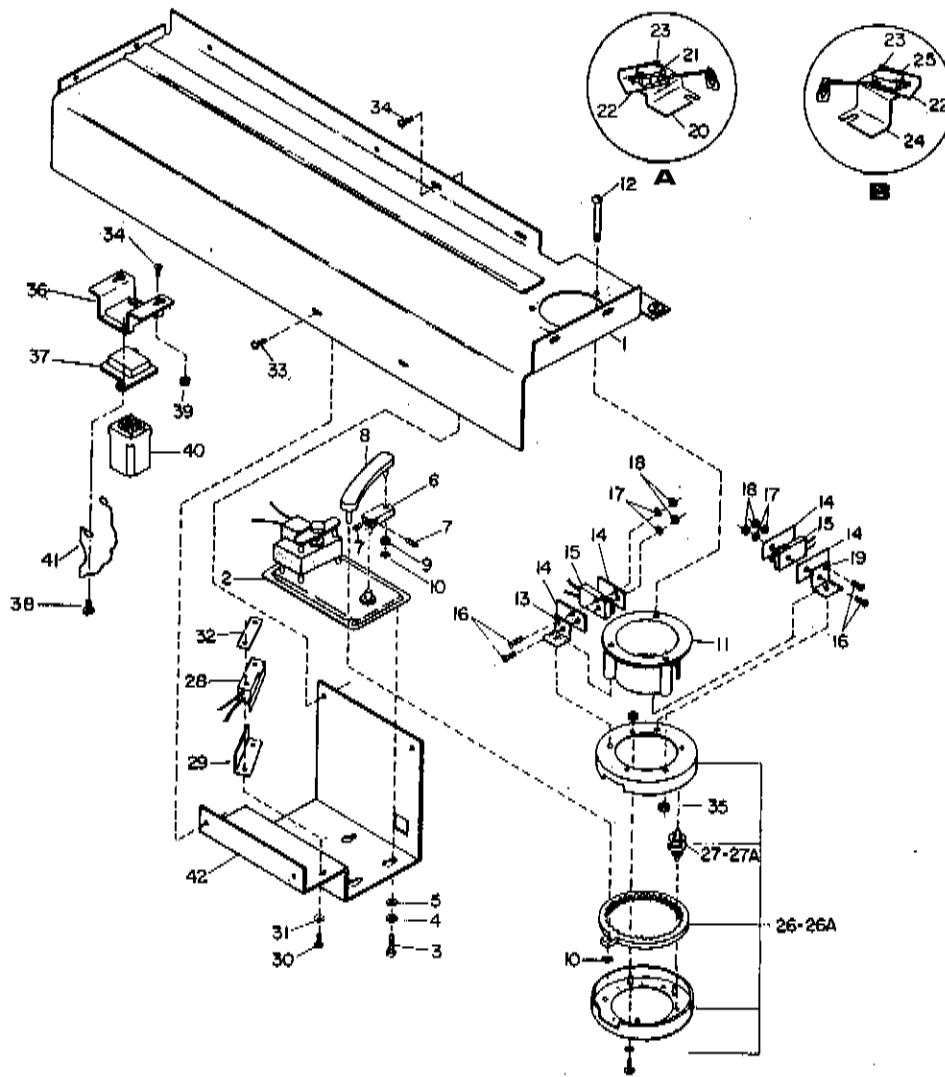
INTERIOR DOOR

1. Door Only, Welded, Painted	A22053		
2. Clip, Retaining	P21402		
3. Screw, #8-32 x 3/8, Pan Hd.	P14491		
4. Nut, Knurled, #8-32	P05625		
5. Cover, Coin Chute	A21311 23543		
6. Chute, Coin	A21308 23545		
7. Nut, Kep, #8-32	P11749		
8. Pin, Cotter, 1/16 x 1"	P16288		
9. Top, Reject Rod	P19022		
10. Washer, 17/64 I.D. x 9/16 O.D.	P21916		
11. Spring, Compression	P16159		
12. Light, Indicator & Lens	P14531		
13. Welded Ass'y, Reject Rod	A21332 23530		
14. Ass'y, Cash Box	A19731		
15. Nut, Pal, 1/4", Hex	P05682		
16. Spring, Catch	P09023		
17. Catch, R.H.	P08805		
18. Wire	P21272		
19. Spacer	P14132		
20. Door, Coin Return	P18552		
21. Nut, Kep, #6-32	P11745		
22. Plate, Lock	P21290		
23. Welded Ass'y, Label Retainer	A21284		
24. Label, Commodity, (Tea-Chicken)			
(10 Select. Only)	P21245		
25. Label, Commodity, (Tea-Beef)			
(10 Select. Only)	P21246		
26. Label, Commodity, (Sanka-Chicken)			
(10 Select. Only)	P21250		
27. Label, Commodity, (Sanka-Beef)			
(10 Select. Only)	P21251		
28. Label, Commodity, (Decaf-Chicken)			
(10 Select. Only)	P21254		
29. Label, Commodity, (Decaf-Beef)			
(10 Select. Only)	P21255		
30. Label, Commodity, (Tea) (9 Select. Only)	P22408		
31. Label, Commodity, (Beef) (6 Select. Only)	P22409		
32. Label, Commodity, (Chicken)			
(6 Select. Only)	P22410		
33. Label, Commodity (Blank) (5 Select. Only)	P22412		
34. Label, Commodity, (Sanka) (9 Select. Only)	P22411		
35. Label, Commodity, (Decaf) (9 Select. Only)	P22413		
36. Catch, L.H.	P08804		
37. Welded Ass'y, Cup Well	A18740		
38. Welded Ass'y, Chute	A19644		
39. Welded Ass'y, Retarder	A12436		
40. Ass'y, Cup Chute & Retarder			
(Incl. Items 27 & 28)	A19285		
41. Ass'y, Cup Well & Chute			
(Incl. Items 4, 26 & 29)	A23052		
42. Grill, Cup Well	P19773		
43. Ass'y, Cup Well, Chute & Grill			
(Incl. Items 30 & 31)	A23055		
44. Door, Cup Well	P19290		



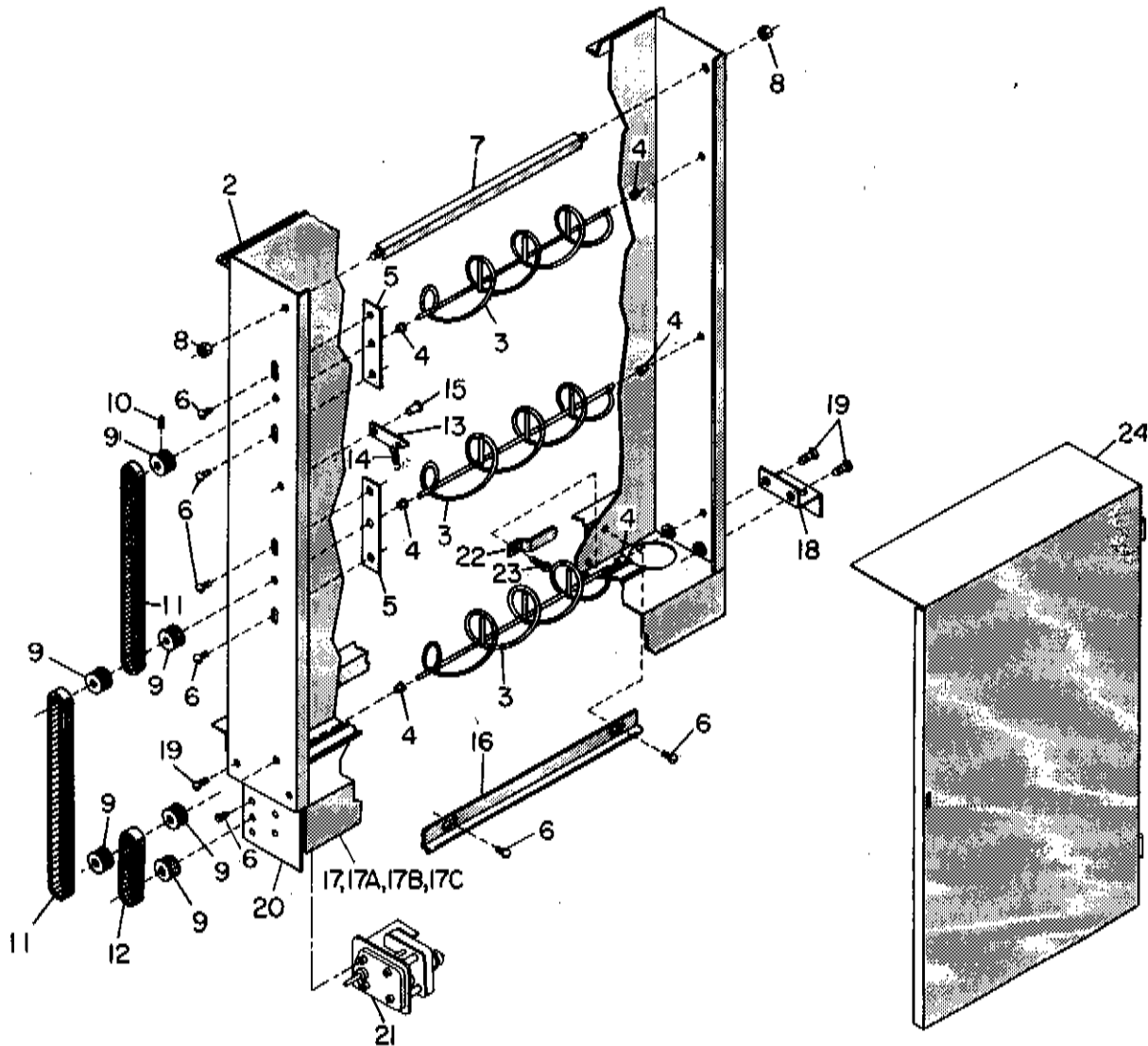
EXTERIOR DOOR

1. Door Only <i>COMPLETE, ARA COFF SYS 24920</i>	A22053	21. Label, Instructions	P22584
2. Extrusion, Top	P22041	22. Label, Price	P21253
3. Insert Assembly, Top	A22040	23. Indicator Light & Lens	P14531
4. Screw, Weld, #8-32 x 1/4	P16709	24. Bezel, Coin Insert	P22204 <i>2/12/17</i>
5. Nut, Kep, #8-32	P11749	25. Spacer	P18661
6. Extrusion, Center	P22046	26. Nut, Pal.	P18443
7. Insert, Center (ARA Services Only).	P22047	27. Bezel, Coin Return	P22296 <i>2/12/19</i>
7A Insert, Center (ARA Coffee Systems Only).	P22418	28. Rivet, Pop	P16749
8. Screw, Weld, #6-32 x 1/2	P14832	29. Bezel, Cup Well	P22295 <i>2/12/18</i>
9. Nut, Kep, #6-32	P11745	30. Switch, Selector, Unwired (Incl. Item 31)	P21105
10. Artwork (All Other 465A's)	P22224 <i>2/20/15</i>	30A Switch, Selector, Wired (Incl. Item 31)	P21256
11. Extrusion, R.H. Vertical	P21326	31. Nut, Selector	P21637
12. Extrusion, L.H. Vertical	P21327	32. Knob, Selector (Incl. Item 33)	P21206
13. Cap, End	P21101 <i>8/28/15</i>	33. Screw, Set, #10-32 x 3/8	P21496
14. Screw, Self Tap, #8-32 x 3/8.	P14806	34. Lock Ass'y, 1/4 Turn (Incl. Items 36 & 37)	P21131
15. Extrusion, Vinyl	P21329	35. Cam, Lock	P21640
16. Trim, Horizontal	P22042	36. Lock, w/Handle (Less Item 37, Incl. Item 35)	P21639
17. Screw, #8-32 x 1/4, P.H.	P14487	37. Cylinder, Lock (with Key)	P21638
18. Trim, Vertical	P21331	38. Screw, #10-32 x 1/2, Fl. Hd.	P01792
19. Switch, Extra Creme & Sugar	P21181	39. Nut, Kep, #10-32	P11750
20. Switch, Vend	P21180		



CUP DISPENSER CUP DROP

1. Base Only	A22264	23. Screw, #4-40 x 1/2, R.H. Slotted (Insert A & B Type)	P22730
2. Motor, Cup Separator	P16038	24. Bracket, Spiral Switch (Insert B Type)	P22724
3. Screw, #8-32 x 1/4, Pan Hd.	P14487	25. Switch, Index (Insert B Type)	A23370
4. Washer, Lock, #8	P00167	26. Separator, Lisern, 7 oz.	P16012
5. Washer, Flat, #8	P00961	26A Separator, Lisern, 9 oz.	P16013
6. Arm, Crank	P15450	27. Gear, Worm, Cup, 7 oz.	P19362
7. Screw, Set, #8-32 x 3/16	P03272	27A Gear, Worm, Cup, 9 oz.	P19361
8. Rod, Connecting	A16857	28. Switch, Cup Drop Motor.	P17081
9. Washer, 1/4 I.D. x 5/8 O.D.	P06170 11116	29. Insulator, Fishpaper.	P17049
10. Push-on	P04112	30. Screw, #6-32 x 1 1/4, Rd. Hd.	P05688
11. Throat, Cup Dispenser	P16701	31. Washer, Plated, #6.	P00826
12. Screw, #10-32, x 2 1/4, Truss Hd.	P16337	32. Nut, Tinnerman, Twin, #6	P01179
13. Bracket, Sold Out Switch	P16660 22725	33. Screw, #8-32 x 1/4, Pan Hd.	P14487
14. Insulator, Fishpaper.	P126582 22728	34. Screw, #8-32 x 3/8, Pan Hd.	P14491
15. Switch.	P16733 22726	35. Nut, Kep, #10-32	P11750
16. Screw, R.H.M.S., #2-56 x 1/4-3/4 x 5/8	P16366 22580	36. Bracket, Relay	P17195
17. Washer, Lock, #2	P11603	37. Socket, Relay	P16760
18. Nut, #2-56-4-40	P16367 22849	38. Screw, #6-32 x 3/8, Self Tap, Pan Hd.	P00802
19. Bracket, Spiral Switch	P16656 22724	39. Nut, Kep, #8-32	P11749
20. Bracket, Sold Out Switch (Insert A Type)	P22725	40. Relay	P16759
21. Switch, Sold Out (Insert A Type)	A23371	41. Spring, Relay Hold-down	P16762
22. Insulator, Fish Paper (Insert A & B Type)	P22728	42. Plate, Mounting.	P16671



CUP DISPENSER

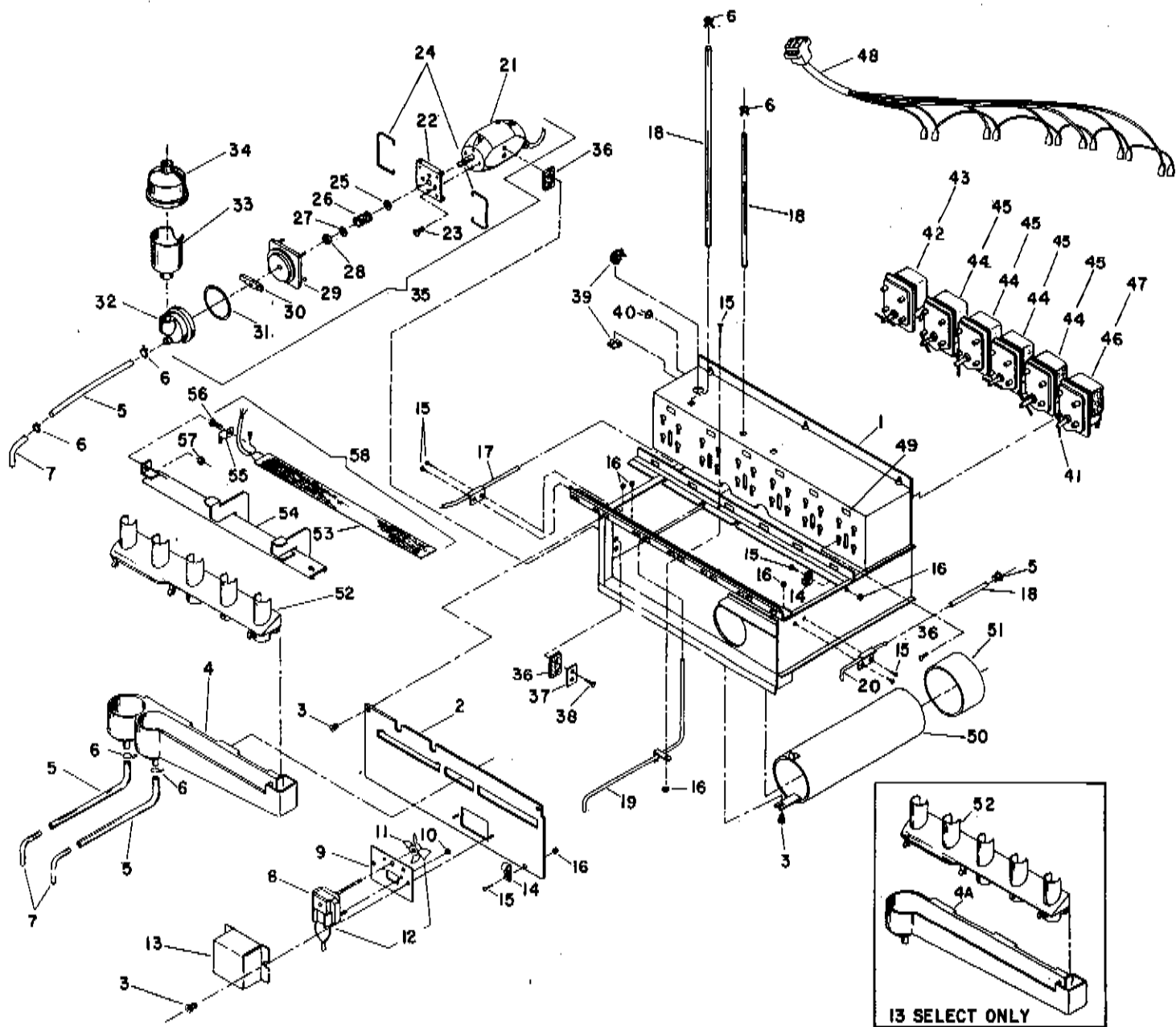
- CUP DISPENSER ASS'Y, 7 OZ.
(Incl. Items 1, 9, 17 & 18 thru 24) A21875
- CUP DISPENSER ASS'Y, 9 OZ.
(Incl. Items 1, 9, 17A & 18 thru 24) A21876
- CUP DISPENSER ASS'Y, 7 OZ.
(Incl. Items 1, 9, 17B & 18 thru 24) A23377
- CUP DISPENSER ASS'Y, 9 OZ.
(Incl. Items 1, 9, 17C & 18 thru 24) A23378

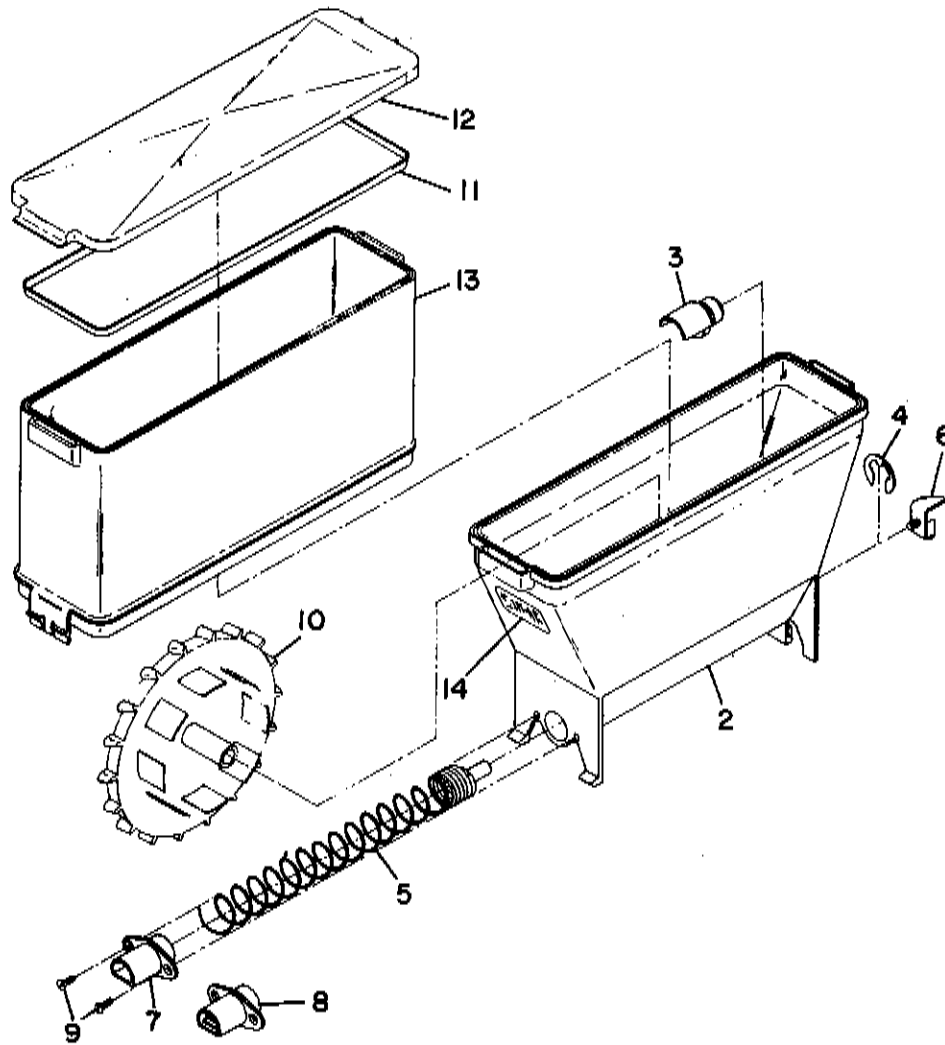
- 1. Spiral Ass'y (Incl. Items 2 thru 16) A21157
- 2. Welded Ass'y, Wrapper A21158
- 3. Spiral, Cup A19247
- 4. Nyliner P09257
- 5. Plate, Adjusting, Spiral P16659
- 6. Screw, # 8-32 x 1/4, Pan Hd. P14487
- 7. Stiffener, Wrapper A19251
- 8. Nut, Kap, # 8-32 P11749
- 9. Ass'y, Pulley (Incl. Item 10) A12493
- 10. Screw, Set, # 8-32 x 1/4 P21459
- 11. Belt, Timing (22" Long) P13795

- 12. Belt, Timing (10" Long) P10213
- 13. Latch, Door P16689
- 14. Spring, Door Latch P14435
- 15. Rivet, Shoulder P16789
- 16. Guide, Side, Cup P19252
- 17. Ass'y, Base
(7 oz. Cup Ring, Cemco Switches) A21446
- 17A Ass'y, Base
(9 oz. Cup Ring, Cemco Switches) A23389
- 17B Ass'y, Base
(7 oz. Cup Ring, Cherry Switches) A23390
- 17C Ass'y, Base
(9 oz. Cup Ring, Cherry Switches) A23391
- 18. Bracket, Flush Switch P19589
- 19. Screw, # 8-32 x 3/8, Pan Hd. P14491
- 20. Plate, Mounting, Spiral Motor P19250/16684
- 21. Motor, Spiral, 18 R.P.M. P12203
- 22. Guide, Cup, Bottom P18173
- 23. Screw, # 8-32 x 3/4, Pan Hd. P16748
- 24. Door, Cup Wrapper A21156

CANISTER RACK

CANISTER RACK ASS'Y, 5 SELECTION			
(Less Items 53 thru 58)	A23108	
CANISTER RACK ASS'Y, 6 SELECTION			
(Less Items 53 thru 58)	A23109	
CANISTER RACK ASS'Y, 9 SELECTION			
(Less Items 53 thru 58)	A23110	
CANISTER RACK ASS'Y, 10 SELECTION			
(Less Items 53 thru 58)	A23111	
CANISTER RACK ASS'Y, 13 SELECTION			
(Less Items 53 thru 58)	A23112	
1.	Rack, Canister	A21962	
2.	Support & Front Plate Ass'y	A22549	
3.	Nut, #8-32 Knurled	P05625	
4.	Trough, Commodity		
	(5, 6, 9 & 10 Selections)	P21191	
4A	Trough, Commodity (13 Selection Only)	P22519	
5.	Tube, Silicone (Choc, Soup, Coffee)		
	(Per Foot)	P19033	
6.	Clamp, Tubing	P08909	
7.	Spout, Cup Outlet	P18301	<i>OBSOLETE</i>
8.	Motor, Exhaust (wired)	A22626	
8A	Motor, Exhaust (Unwired)	P21884	
9.	Plate, Motor Mounting	P21798	
10.	Nut, #10-32 Hex	P11750	
11.	Blade, Fan	P23121	
12.	Motor Ass'y, Exhaust		
	(Includes Items 8 thru 11)	A22629	
13.	Cover, Exhaust Fan	P21773	
14.	Cable Clamp, 3/8, Plastic	P17587	
15.	Screw, #8-32 x 3/8, Pan Hd.	P14491	
16.	Nut, #8-32, Kep	P11749	
17.	Tube Ass'y, Choc. Water	A22628	
18.	Tubing, PVC (Choc, Soup, Coffee)		
	(Per Foot)	P09146	
19.	Tube Ass'y, Soup Water		
	(6 & 10 Selections Only)	A22621	
20.	Tube Ass'y, Tea & Coffee Water	A22631	
21.	Motor Ass'y, Choc. Whipper (Wired)	A14001	
21A	Motor, Choc. Whipper (Unwired)	P13913	
22.	Plate, Mounting	P13914	
23.	Screw, #8-32 x 1/4, Pan Hd.	P14487	
24.	Spring, Closing	P13915	
25.	Slinger	P13918	
26.	Spring, Seal	P13957	
27.	Washer, Seal Retaining	P13959	
28.	Seal, Leather	P13958	
29.	Housing, Inner	P13910	
30.	Impellor	P13912	
31.	Ring, "O" (2 1/4" I.D. x 1/8 C.S.)	P13919	
32.	Housing, Outer	P13909	
33.	Funnel, Bottom Entrance	P21023	
34.	Funnel, Top Entrance	P14745	
35.	Whipper Ass'y, Choc.		
	(Includes Items 21 thru 34)	A16521	
36.	Pad, Vibration	P14180	
37.	Plate, Compression	P14181	
38.	Screw, #8-32 x 5/8, Pan Hd.	P16335	
39.	Clamp, Strain Relief	P00253	
40.	Bushing, Hole	P22486	
41.	Pin, Roll (Stainless Steel)	P15628	
42.	Motor, 180 R.P.M.	P22731	
43.	Motor Ass'y, 180 R.P.M., Choc. Auger		
	(Incl. 41 & 42)	A22737	
44.	Motor, 100 R.P.M.	P07311	
45.	Motor Ass'y, 100 R.P.M., Creme Auger		
	(Incl. 41 & 44)	A13999	
	Motor Ass'y, 100 R.P.M., Sugar Auger		
	(Incl. 41 & 44)	A13999	
	Motor Ass'y, 100 R.P.M., Tea Auger		
	(Incl. 41 & 44)	A13999	
	Motor Ass'y, 100 R.P.M., Soup Auger		
	(Incl. 41 & 44)	A13999	
	Motor Ass'y, 100 R.P.M., Sanka Auger		
	(Incl. 41 & 44)	A13999	
46.	Motor, 51 R.P.M.	P14453	
47.	Motor Ass'y, 51 R.P.M., Coffee Auger		
	(Incl. 41 & 46)	A14469	
48.	Harness, Canister Rack	A21260	
49.	Label, Chocolate	P20191	
	Label, Soup (6 & 10 Select. Only)	P20192	
	Label, Tea (9, 10 & 13 Select. Only)	P20193	
	Label, Light	P20194	
	Label, Sugar	P20197	
	Label, Coffee	P20198	
	Label, Sanka (13 Select. Only)	P20199	
50.	Duct Ass'y, Exhaust	A22001	
51.	Extension, Flexible	P22138	
52.	Chute, Commodity	P21146	
53.	Strip, Heater (Wired)	A21618	
54.	Welded Ass'y, Bracket	A22502	
55.	Clamp, Cable	P00638	
56.	Screw, # 8-32 x 3/8, Pan Hd. <i>8-32 x 3/8</i>	P12503	<i>1A491</i>
57.	Nut, # 8-32 , Kep <i>8-32</i>	P11745	<i>11749</i>
58.	Dehumidity Bar Ass'y		
	(Incl. Items 53 thru 57)	A22510	



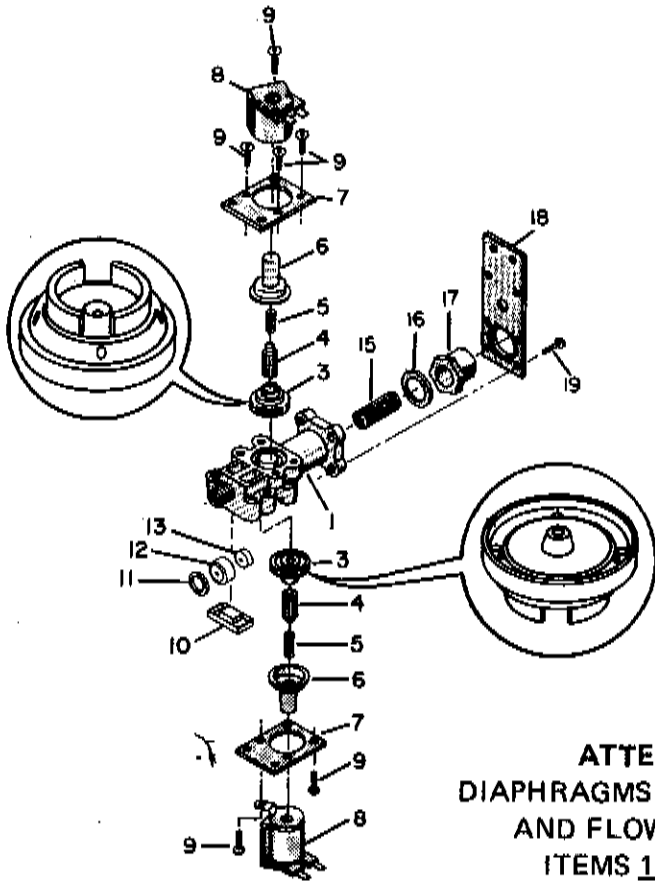


CANSITER ASSEMBLIES

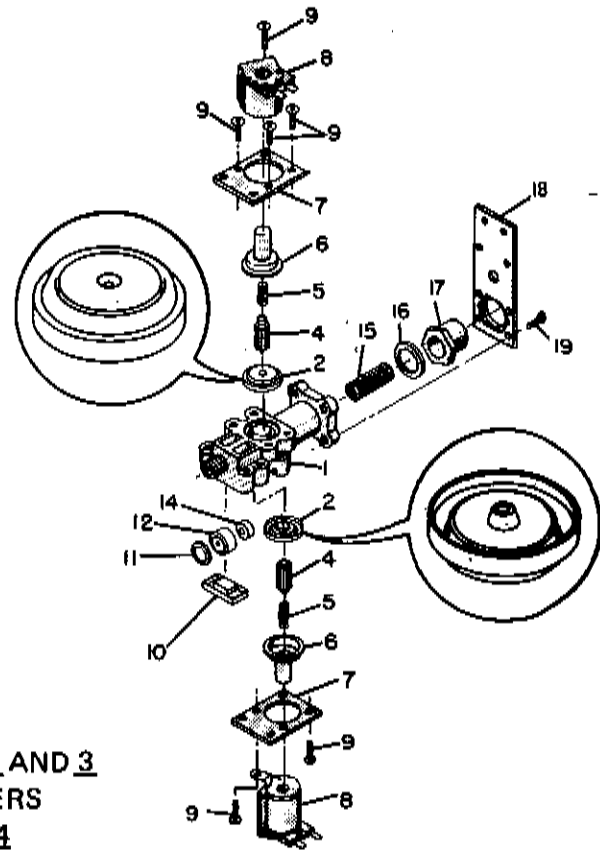
CANISTER ASS'Y, SUGAR (Incl. Items 1 & 14E) (5 thru 13 Select.)	A22569
CANISTER ASS'Y, CREME (Incl. Items 1A & 14D) (5 thru 13 Select.)	A22470
CANISTER ASS'Y, TEA (Incl. Items 1A & 14C) (9, 10, & 13 Select. Only)	A22565
CANISTER ASS'Y, SANKA (Incl. Items 1A & 14G) (13 Select. Only)	A22566
CANISTER ASS'Y, COFFEE (Incl. 1B, (1) 13 & 14F) (5 thru 13 Select.)	A22572
CANISTER ASS'Y, CHOCO. (Incl. 1B, (2) 13 & 14A) (5 thru 13 Select.)	A22571
CANISTER ASS'Y, SOUP (Incl. Items 1B & 14B) (6 & 10 select)	A22563

2. Canister, Bottom	P20288
3. Bearing, Rear	P20263
4. Ring, Retaining	P20646
5. Auger Ass'y, Commodity	A20645
6. Driver, Auger	P15419
7. Spout, Plain	P20262
8. Spout, Louvered	P20261
9. Screw, #6-32 x 3/8, Flat Hd.	P08136
10. Wheel, Commodity	P20311
11. Seal, Canister, Extruded	P22252
12. Cover, Canister	P20647
13. Extension, Canister	P20290
14. Set, Label (Incl. Items 14A thru 14G)	A20210
14A Label, Chocolate	P20191
14B Label, Soup	P20192
14C Label, Tea	P20193
14D Label, Light	P20194
14E Label, Sugar	P20197
14F Label, Coffee	P20198
14G Label, Sanka	P21199

1. Canister Ass'y, Bottom Basic (Less Items 8, 10 & 13 thru 14G)	A22460
1A Canister Ass'y, Bottom Basic (Less Items 7 & 13 thru 14G)	A22470
1B Canister Ass'y, Bottom Basic (Less Items 8 & 13 thru 14G)	A22480



NO-LIFT TYPE



LIFT TYPE

ATTENTION
DIAPHRAGMS ITEMS 2 AND 3
AND FLOW WASHERS
ITEMS 13 AND 14
CANNOT BE INTERMIXED

VALVE ASSEMBLY – WATER IN
120V 50/60 HZ

COMPLETE ASS'Y "NO LIFT TYPE"

Mounting Bracket (18) as shown . . . A17370

COMPLETE ASS'Y "NO LIFT TYPE"

Mounting Bracket (18) reversed . . . A17370

- 1. Body, Valve. P16449
- 2. Diaphragm, Lift. P22247
- 3. Diaphragm, No Lift. P16450
- 4. Armature. P16451
- 5. Spring P16452
- 6. Guide P16453
- 7. Plate, Hold Down P16471
- 8. Coil, White P18116
- 9. Screw P16493
- 10. Plug, Seal. P16474
- 11. Gasket. P22771

COMPLETE ASS'Y "LIFT TYPE"

Mounting Bracket (18) as shown . . . A22245

COMPLETE ASS'Y "LIFT TYPE"

Mounting Bracket (18) reversed . . . A22242

- 12. Insert Flow Washer Seat P19817
- 13. Washer, Flow, 1/16 hole
Identification Mark "CJ"
No Lift Type. P16473
- 14. Washer, Flow, 3/32 hole
Identification Mark "CK"
Lift Type. P22246
- 15. Screen, Inlet Valve P16476
- 16. Gasket. P16477
- 17. Fitting, Inlet P16478
- 18. Plate, Mounting. P16479
- 19. Screw, Mounting Plate. P16489

HOT WATER TANK

TANK ASS'Y, HOT WATER
(6 & 10 Selection Only) A23073

TANK ASS'Y, HOT WATER
(5, 9 & 13 Selection Only) A23074

- 1. Welded Ass'y, Tank A21478 ²³⁷⁵⁷
- 2. Fitting, Overflow P21135
- 3. Gasket, Fitting P21138
- 4. Nut, Fitting P21137
- 5. Fitting, Adapter P21136
- 6. Petcock, 1/4 M.P.T. P00774
- 7. Tank Ass'y, Basic (Incl. Items 1 thru 6) A29072 ²³⁷⁵
- 8. Tube Ass'y, Fill. A22915
- 9. Lid, Tank. OBSOLETE A21866
- 10. Float. P19041 ²⁵⁷⁷⁰
- 11. Nut, Hex (Brass), #6-32 P00046
- 12. Rod, Float P21396
- 13. Ass'y, Float & Rod (Incl. Items 10 thru 12) A21877
- 14. Cover, Access & Float Guide P19025
- 15. Push-on, Tinnerman P08665
- 16. Protector, Plastic P16079
- 17. Weight, Counter, Brass P20002
- 18. Ring, Cotter P22322
- 19. Float Ass'y, Complete
(Incl. Items 13 thru 18) A21877
- 20. Insulator, Fishpaper P00784
- 21. Screw, #6-32 x 1 1/4, R.H. P17428
- 22. Ass'y, Water Inlet Switch A20001
- 23. Switch, Heater P19509

9. LID, TANK

A22898

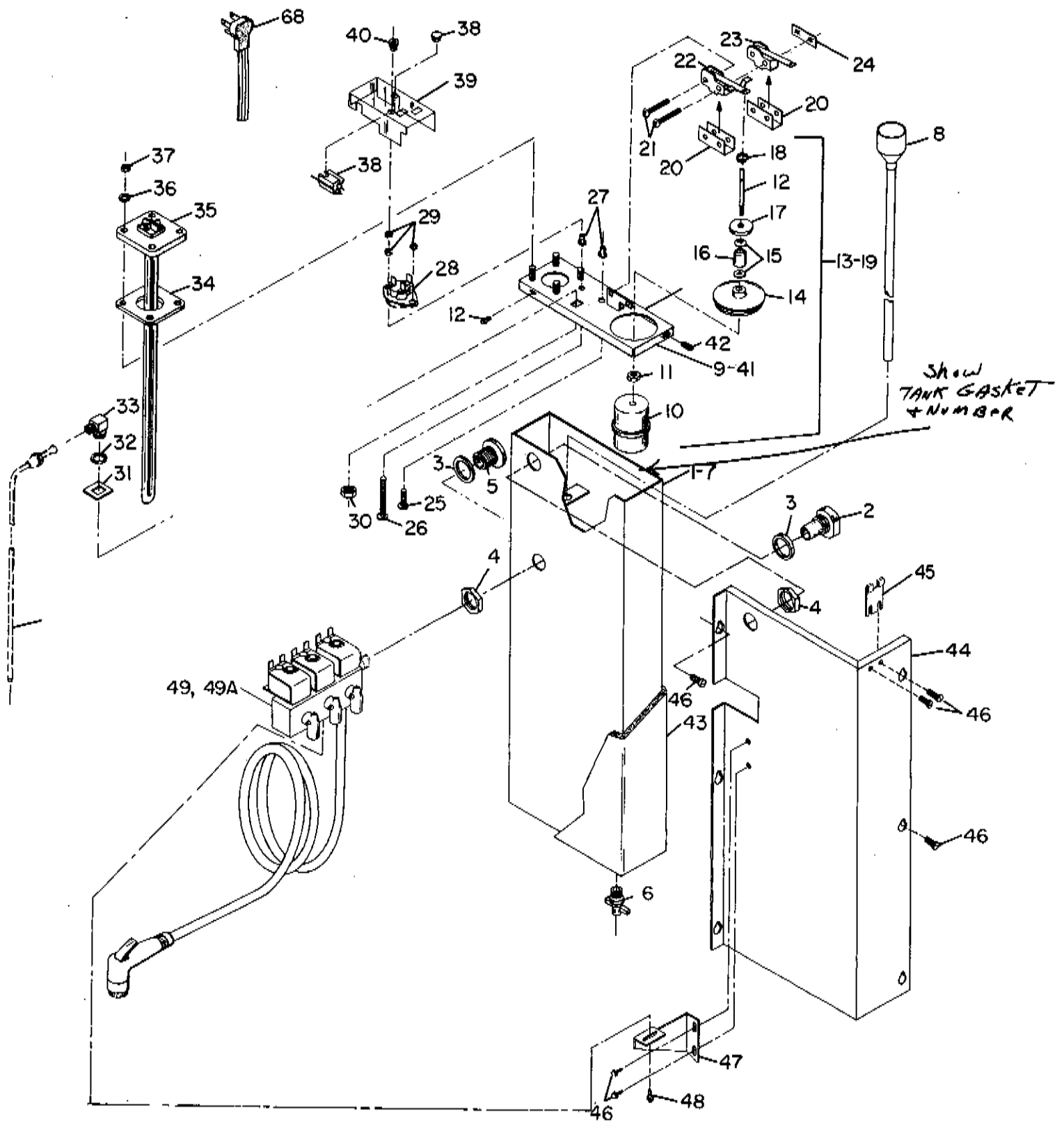
- 24. Nut, Twin, #6 P01179
- 25. Screw, #8-32 x 3/4, P.H. (Brass) P21143
- 26. Screw, #8-32 x 2", P.H. (Brass) P21142
- 27. Standoff P21390
- 28. Thermodisc, 180° P21899
- 29. Nut, Kep, #8-32 P11749
- 30. Nut, Jamb. OBSOLETE P11025
- 31. Gasket. OBSOLETE ^{P06396} ~~P09090~~
- 32. Washer, Nylon. OBSOLETE P19016
- 33. Fitting, Water Inlet. OBSOLETE P19015
- 34. Gasket. P21684
- 35. Heater, Immersion, Flange Type
(Incl. Item 34) P21801
- 36. Washer, Flat, #14 (17/64 I.D. x 9/16 O.D.) P21016 ^{08 120}
- 37. Nut, Kep, 1/4-20 P05682 ^{125 15}
- 38. Indicator and Lens. P14531
- 39. Cover, Heater & Thermodisc P21829
- 40. Nut, Knurled, #8-32 P14928
- 41. Lid Ass'y, Tank (Incl. Items 18 thru 40) A23308 ^{A23767}
- 42. Screw, #8-32 x 3/8, P.H., Type F (410 S.S.) P21685
- 43. Insulation, Fiberglass P13516
- 44. Jacket, Hot Water Tank P22000 ^{P21045}
- 45. Support, Rinse Hose P21802
- 46. Screw, #8-32 x 3/8, H.H., Type F P14806
- 47. Bracket, Commodity Valve Support P22241
- 48. Screw, #8-32 x 1/4", P.H. P14487
- 49. Valve, Commodity (6 & 10 Select.) A23399
- 49A Valve, Commodity (5, 9 & 13 Select. Only) A23400

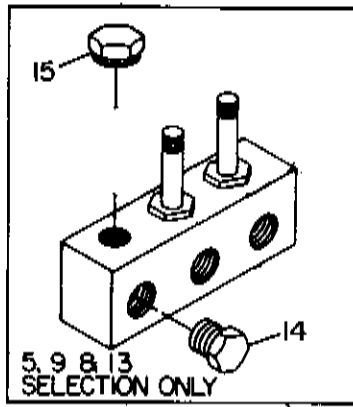
GASKET, TANK
(NOT SHOWN)

P 22927

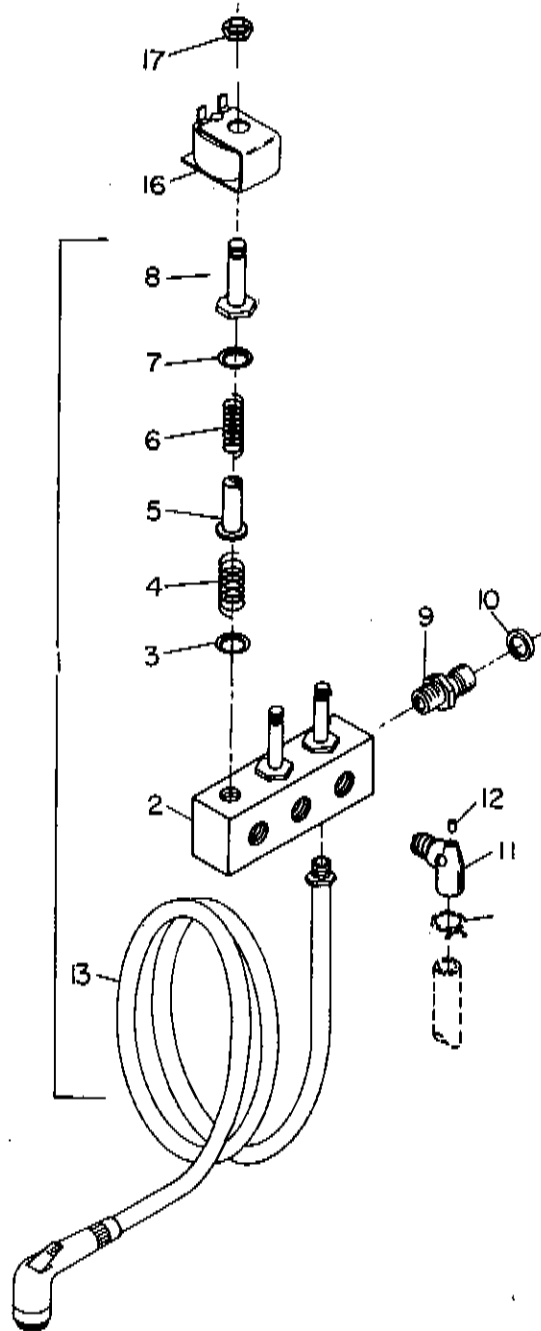
THERMO TRANSFER PLATE
(NOT SHOWN. PLACED UNDER
ITEMS 9 AND 27)

P 23772





1A

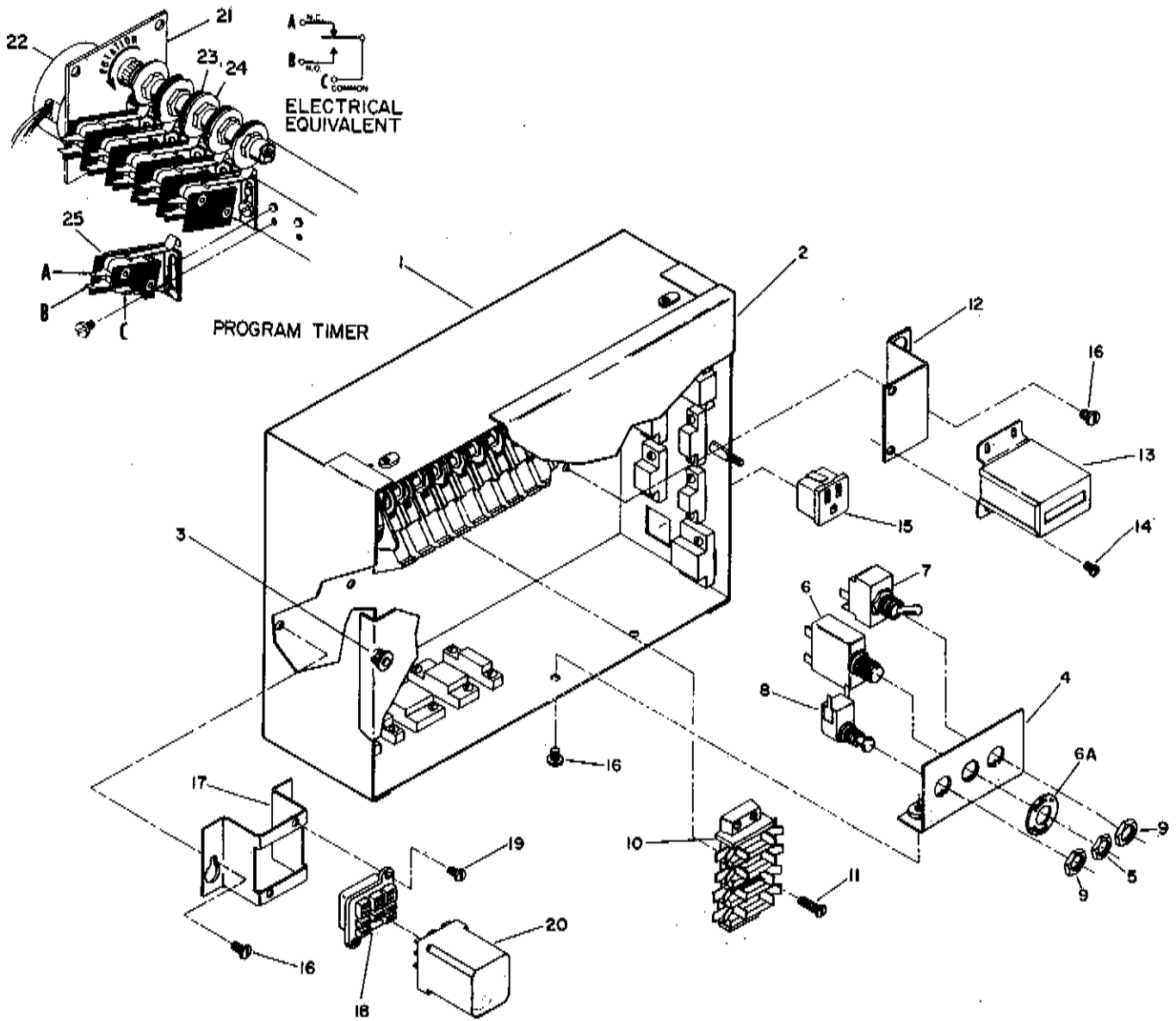


COMMODITY VALVE

COMMODITY VALVE ASS'Y (6,10 & 13 select)
 (Incl. Items 1, 16 & 17) A23399
 COMMODITY VALVE ASS'Y (5 & 9 select)
 (Incl. Items 1A, 16 & 17) A23400

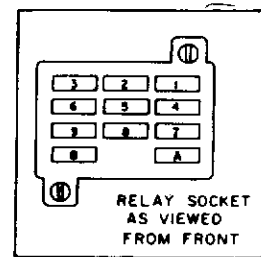
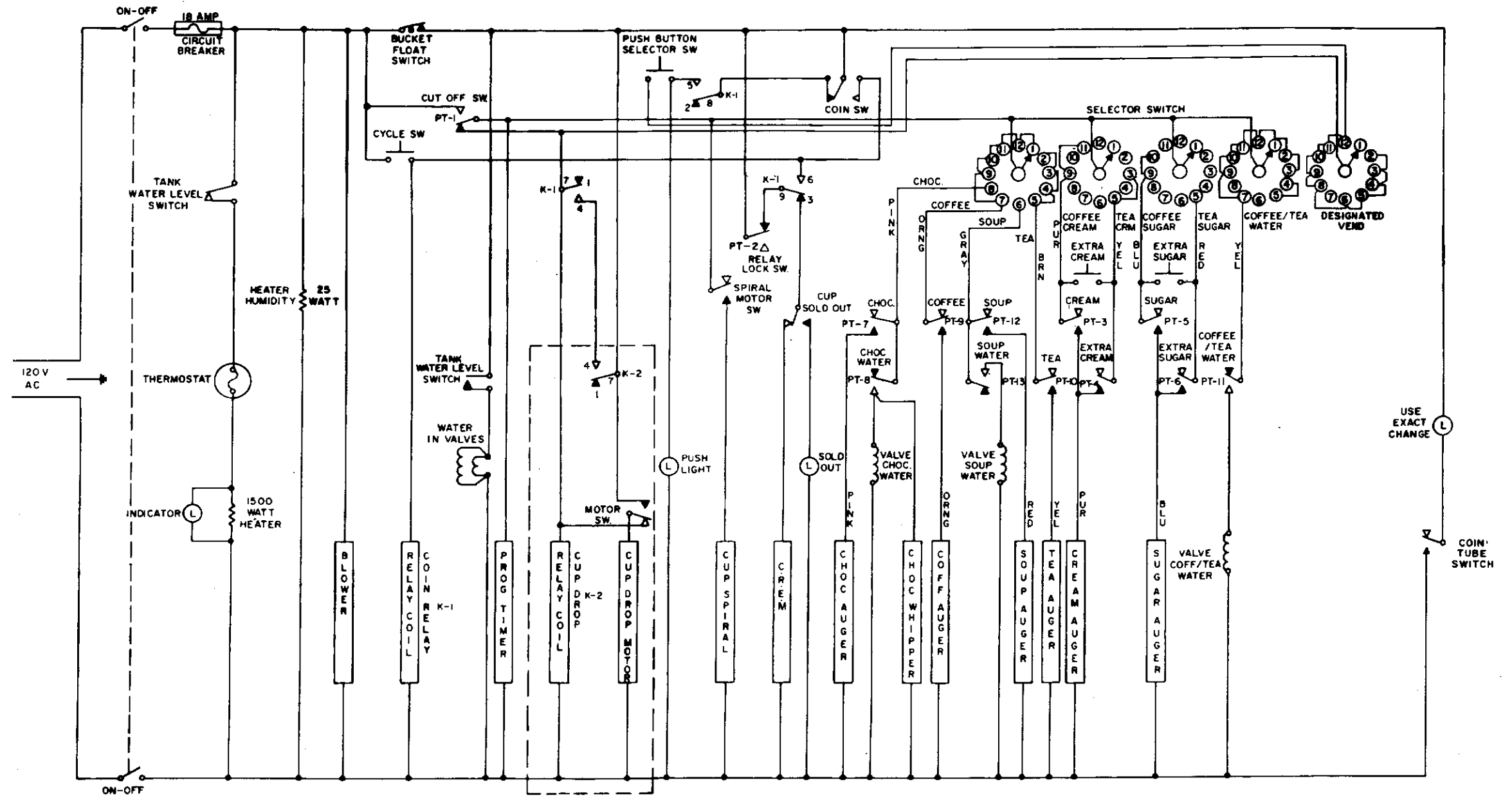
1. Valve Ass'y, Commodity (6, 10 & 13 select)
 (Incl. Items 2 thru 13) A21176
 1A Valve Ass'y, Commodity (5 & 9 select)
 (Incl. Items 2 thru 15) A22801
 2. Body, Valve P21125
 3. "O" Ring, Plunger Seat. P00522
 4. Spring, "O" Ring. P00631
 5. Plunger P00632

6. Spring, Plunger P00255
 7. "O" Ring, Sleeve Seal. P00519
 8. Sleeve A00240
 9. Adapter. P16216
 10. "O" Ring, Adapter P14759
 11. Elbow, Vented, Less Restrictor 42-49, 42 P22094
 12. Screw, Flow Control P22183
 13. Hose, Spray, Ass'y P14494
 14. Plug, 3/8 MPT. P06594
 15. Plug, Top. P22400
 16. Coil, 120 volt P05530
 17. Nut, Pal, 1/2. P00247



ELECTRICAL BOX

1. Box, Electrical, Wired.	A21118	14. Screw, #6-32 x 1/4, Round Hd.	P00054
2. Lid, Electrical Box.	P21070	15. Socket, Heater	P14177
3. Nut, Knurled, #8-32	P05625	16. Screw, #8-32 x 1/4, Pan Hd.	P14487
4. Bracket, Switch.	A21067	17. Bracket, Relay Mounting	P17195
5. Nut, Hex, #7/16-32.	P21644	18. Socket, Relay	P18760
6. Breaker, Circuit (6A, Nameplate, Part of 6) .	P21074	19. Screw, #6-32 x 3/8, Self Tapping	P11982
7. Switch, Power, On-Off	P17462	20. Relay, Plug-in	P16759
8. Switch, Cycle	P14572	21. Timer Ass'y, Program, 10 second.	A21117
9. Nut, Hex, 15/32-32	P15051	22. Motor, 18 R.P.M., w/12 Tooth Gear	P17687
10. Board, Terminal	P17722	23. Cam, Black.	P16502
11. Screw, #8-32 x 1/2, Pan Hd.	P11073	24. Cam, White	P16501
12. Bracket, Counter Mounting.	P21068	25. Switch Assembly.	P16499
13. Counter.	P17304		



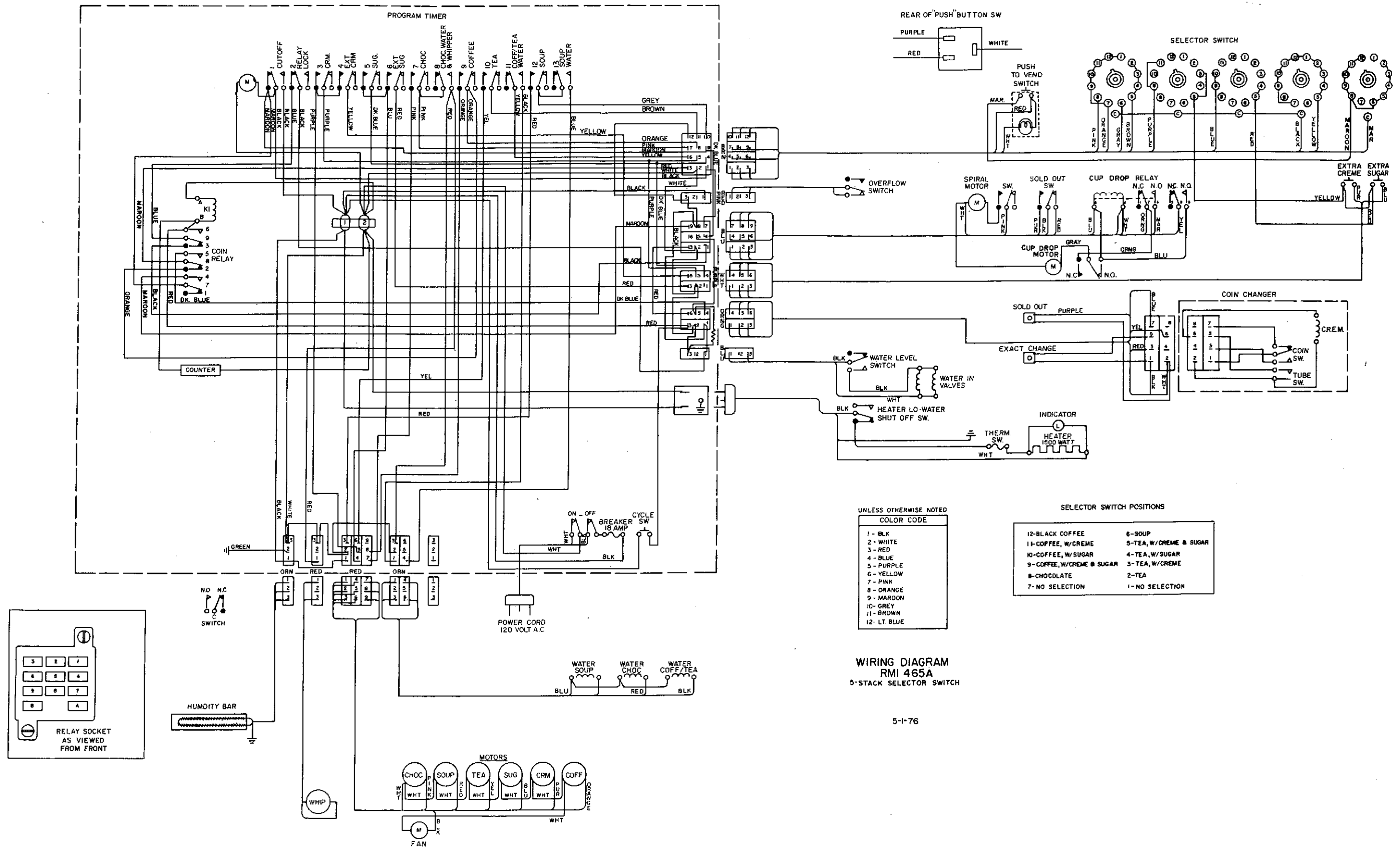
N.O.
 N.C.

SELECTOR SWITCH POSITIONS

1- NO SELECTION	6-SOUP
12-BLACK COFFEE	5-TEA, CREAM & SUGAR
11-COFFEE & CREAM	4-TEA & SUGAR
10-COFFEE & SUGAR	3-TEA & CREAM
9-COFFEE, CREAM & SUGAR	2-TEA
8-CHOC.	
7-NO SELECTION	

PT - PROGRAM TIMER SWITCH
 K - RELAY

465A SCHEMATIC DIAGRAM - 5 STACK SELECTOR SWITCH, 5-1-76



UNLESS OTHERWISE NOTED
COLOR CODE

1 - BLK
2 - WHT
3 - RED
4 - BLU
5 - PURPLE
6 - YELLOW
7 - PINK
8 - ORANGE
9 - MAROON
10 - GREY
11 - BROWN
12 - LT. BLUE

SELECTOR SWITCH POSITIONS

12-BLACK COFFEE	6-SOUP
11-COFFEE, W/CREME	5-TEA, W/CREME & SUGAR
10-COFFEE, W/SUGAR	4-TEA, W/SUGAR
9-COFFEE, W/CREME & SUGAR	3-TEA, W/CREME
8-CHOCOLATE	2-TEA
7-NO SELECTION	1-NO SELECTION

WIRING DIAGRAM
RMI 465A
5-STACK SELECTOR SWITCH

5-1-76

