

# **PARTS MANUAL**

## **465 SERIES**



# **PARTS MANUAL**

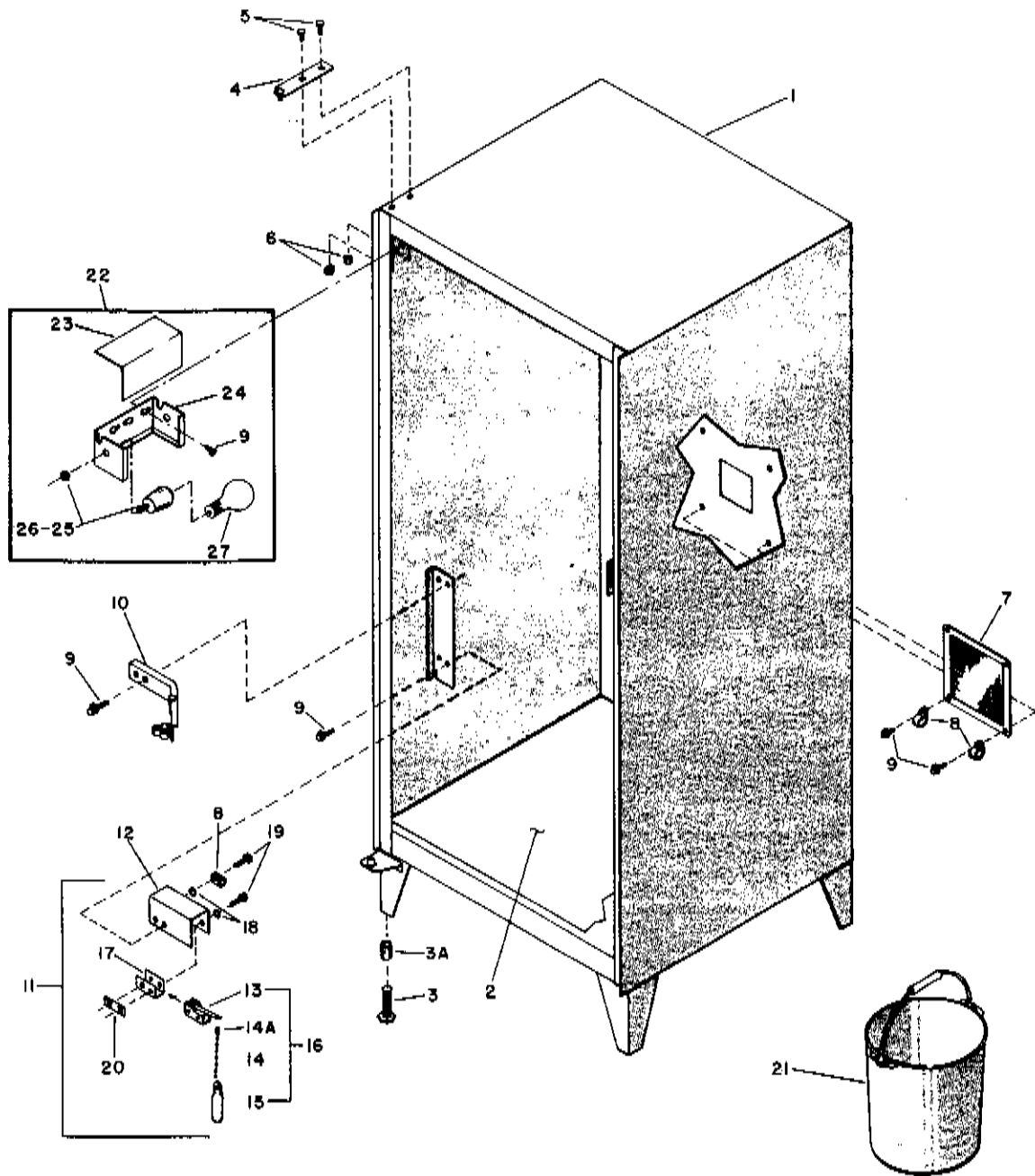
## **465 SERIES**





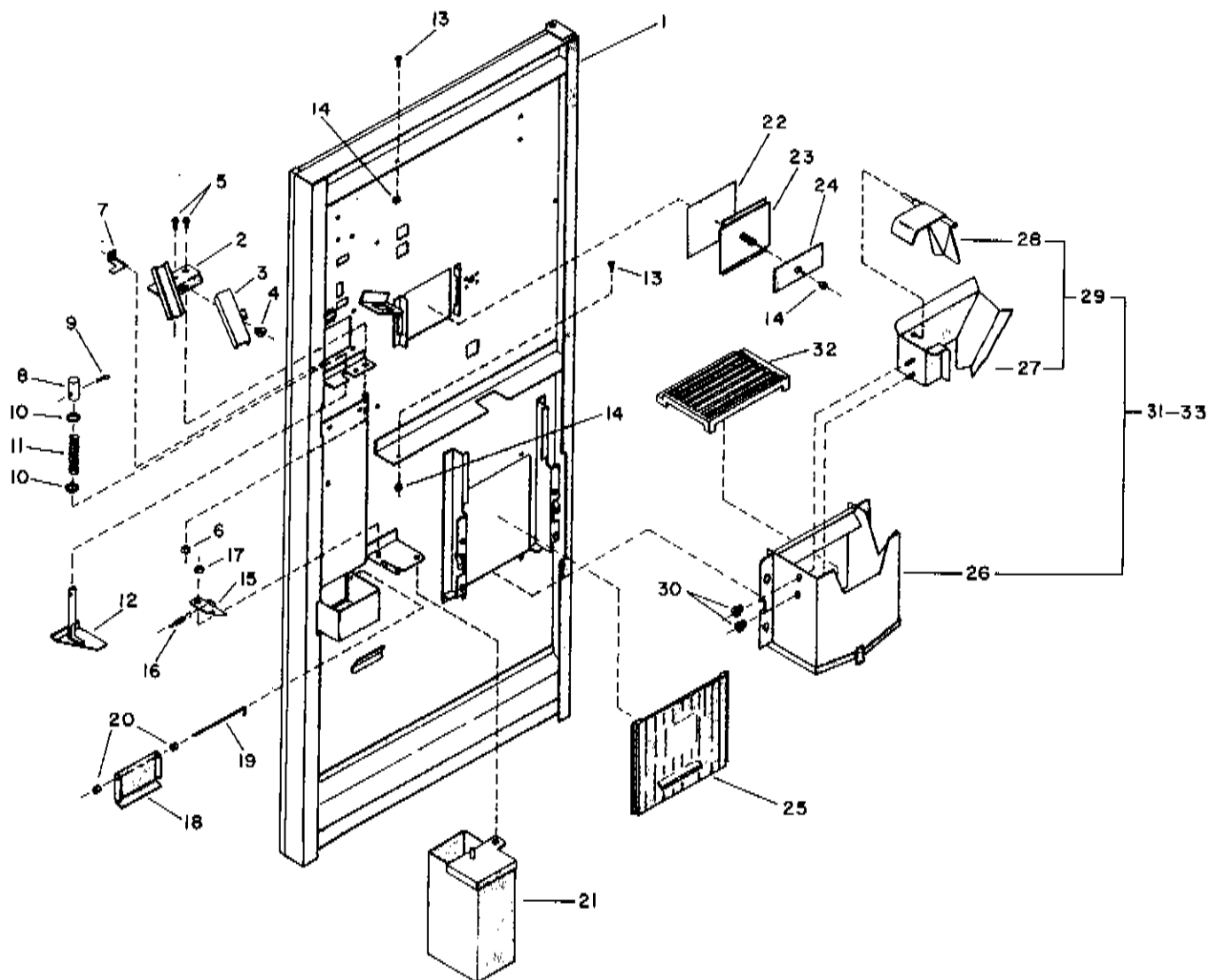
**INDEX**

	<b>Page</b>
Miscellaneous Items Inside Cabinet .....	1
Interior Door Assembly .....	2
Exterior Door Assembly .....	3
Electrical Box Assembly .....	4
Cup Dispenser Cup Drop Assembly .....	5
Spiral Cup Dispenser .....	6
Commodity System .....	7
Canister Assemblies .....	9
Canister Assemblies (Chocolate) .....	10
Water System .....	11
Wiring Diagram - 5 Stack Selector Switch .....	14
Schematic Diagram - 5 Stack Selector Switch .....	15
Wiring Diagram - 4 Stack Selector Switch .....	16
Schematic Diagram - 4 Stack Selector Switch .....	17



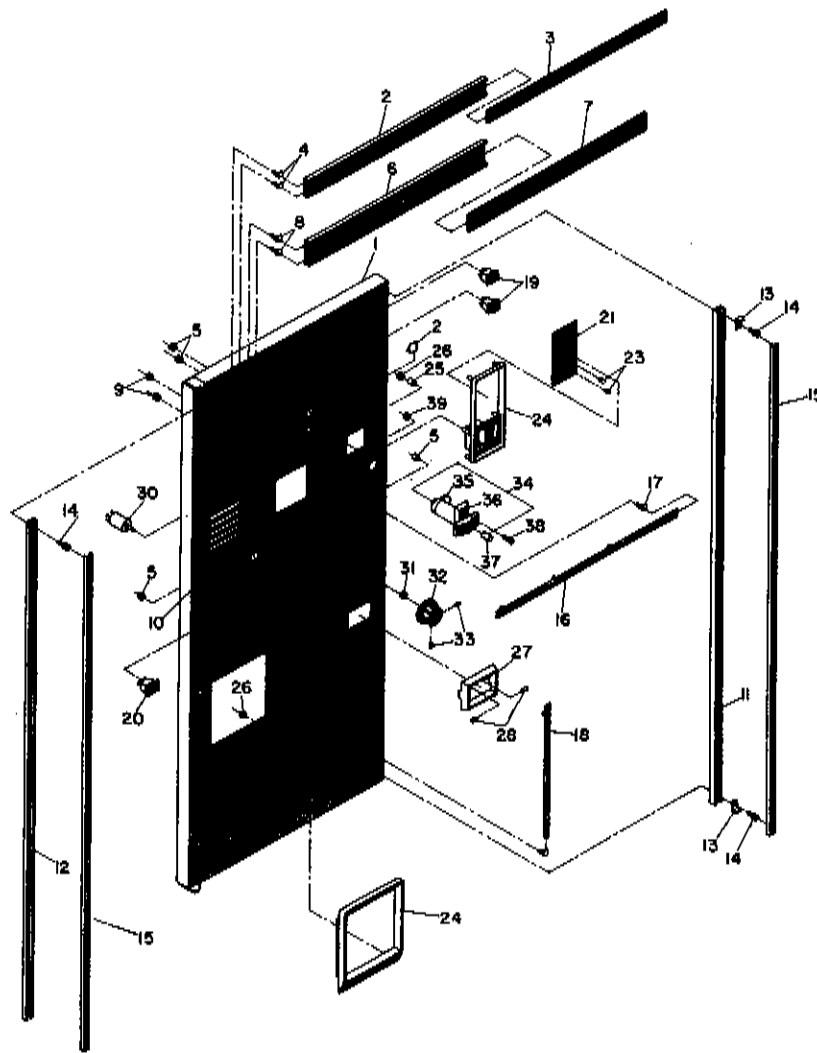
### MISCELLANEOUS ITEMS INSIDE CABINET

1. Cabinet (Items 1 - 4) Painted . . . . .	A21188	14. Chain, Overflow Float . . . . .	P03654
2. Covering, Floor . . . . .	P21340	14A. Sleeve, Chain . . . . .	P03651
3. Leveler . . . . .	P21194	15. Float . . . . .	P04732
3A. Cover, Leveler Leg . . . . .	P21541	16. Switch & Float, Overflow (Items 13 - 15) . . . . .	A21646
4. Bracket, Upper Hinge . . . . .	P21215	17. Insulator, Switch . . . . .	P00784
5. Weld Screw, 1/4-20 x 5/8 . . . . .	P18406	18. Washer, No. 6, Flat . . . . .	P03562
6. Nut-kep, 1/4-20 . . . . .	P12518	19. Screw, No. 6-32 x 1-1/4 . . . . .	P19126
7. Screen . . . . .	P14189	20. Nut, Twin, Tinnerman No. 6 . . . . .	P01179
8. Clamp, Plastic . . . . .	P17784	21. Pail, Overflow . . . . .	P21139
9. Screw, No. 8-32 x 3/8, Self Tap . . . . .	P14806	22. Utility Light Assembly (Items 23 - 27) . . . . .	A21645
10. Bracket, Commodity Tubing Support . . . . .	A21149	23. Lens, Utility Light . . . . .	P14094
11. Overflow Float Switch & Bracket Assembly - Wired (Items 12 - 20) . . . . .	A21259	24. Bracket, Utility Light . . . . .	P14119
12. Bracket, Overflow Switch . . . . .	P21204	25. Socket & Switch, Utility Light . . . . .	P14112
13. Switch, Overflow . . . . .	P05844	26. Utility Light Wired (Items 24 & 25) . . . . .	A18750
		27. Bulb, 120 Volt, 40 Watt . . . . .	P14140



### INTERIOR DOOR ASSEMBLY

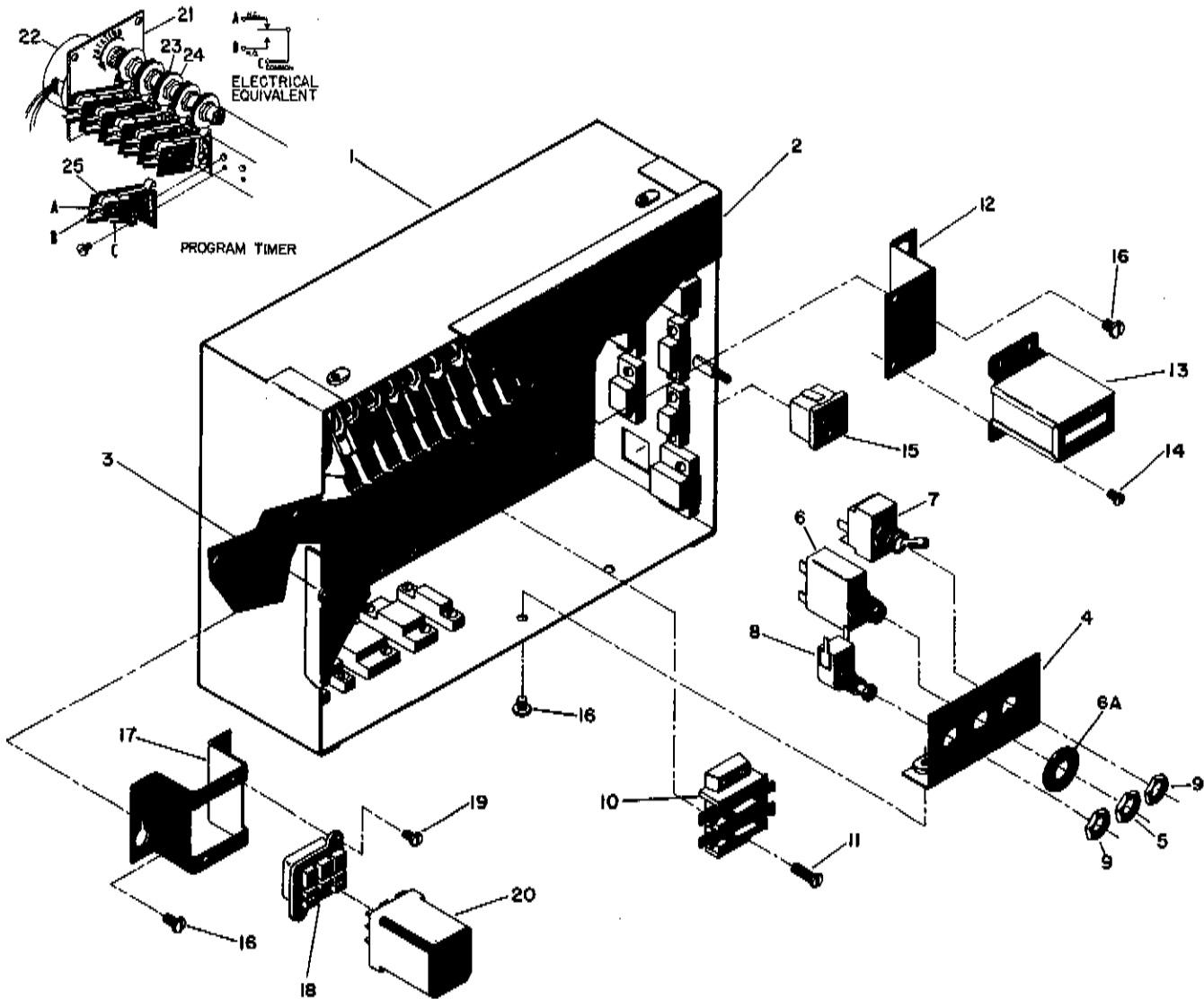
1. Door only, welded, painted . . . . .	A21320	20. Spacer . . . . .	P14132
2. Chute, coin . . . . .	A21308	21. Box, coin . . . . .	A19731
3. Cover, coin chute . . . . .	A21311	22. Label (4 teas, chicken) . . . . .	P21245
4. Nut, knurled, 8-32 . . . . .	P05625	22A. Label (4 teas, beef) . . . . .	P21246
5. Screw, 8-32 x 3/8, pan head . . . . .	P14491	22B. Label (4 Sankas, chicken) . . . . .	P21250
6. Nut, kep, 8-32 . . . . .	P11749	22C. Label (4 Sankas, beef) . . . . .	P21251
7. Clip, coin chute retaining . . . . .	P21402	22D. Label (4 Decafs, chicken) . . . . .	P21254
8. Top, reject rod . . . . .	P19022	22E. Label (4 Decafs, beef) . . . . .	P21255
9. Pin, cotter, 1/16 dia. x 1" . . . . .	P16288	23. Retainer assembly, label . . . . .	A21291
10. Washer, 5/16 I.D. x 11/16 O.D. . . . .	P10230	24. Plate, lock . . . . .	P21290
11. Spring . . . . .	P16159	25. Door, cupwell . . . . .	P19290
12. Rod, reject . . . . .	A21307	26. Cupwell . . . . .	A21322
13. Screw, 8-32 x 3/8, fill. hd. . . . .	P14019	27. Chute, cupwell . . . . .	A19644
14. Nut, kep, 6-32 . . . . .	P11745	28. Retarder, cup . . . . .	A12436
15. Catch, coin box . . . . .	P08805	29. Chute assembly (including 27 & 28) . . . . .	A19285
16. Spring, catch . . . . .	P09023	30. Nut, knurled, 8-32 . . . . .	P05625
17. Nut, pal, 1/4", hex . . . . .	P05682	31. Cupwell & chute assembly (26 through 30) . . . . .	A21632
18. Door, coin return . . . . .	P18552	32. Tray, cupwell . . . . .	P19773
19. Wire, coin return door . . . . .	P21272	33. Cupwell & chute assembly, w/tray (26 - 32) . . . . .	A21633



### EXTERIOR DOOR ASSEMBLY

DOOR ASSEMBLY COMPLETE w/VINYL      A21635  
 DOOR ASSEMBLY COMPLETE w/o VINYL      A21836

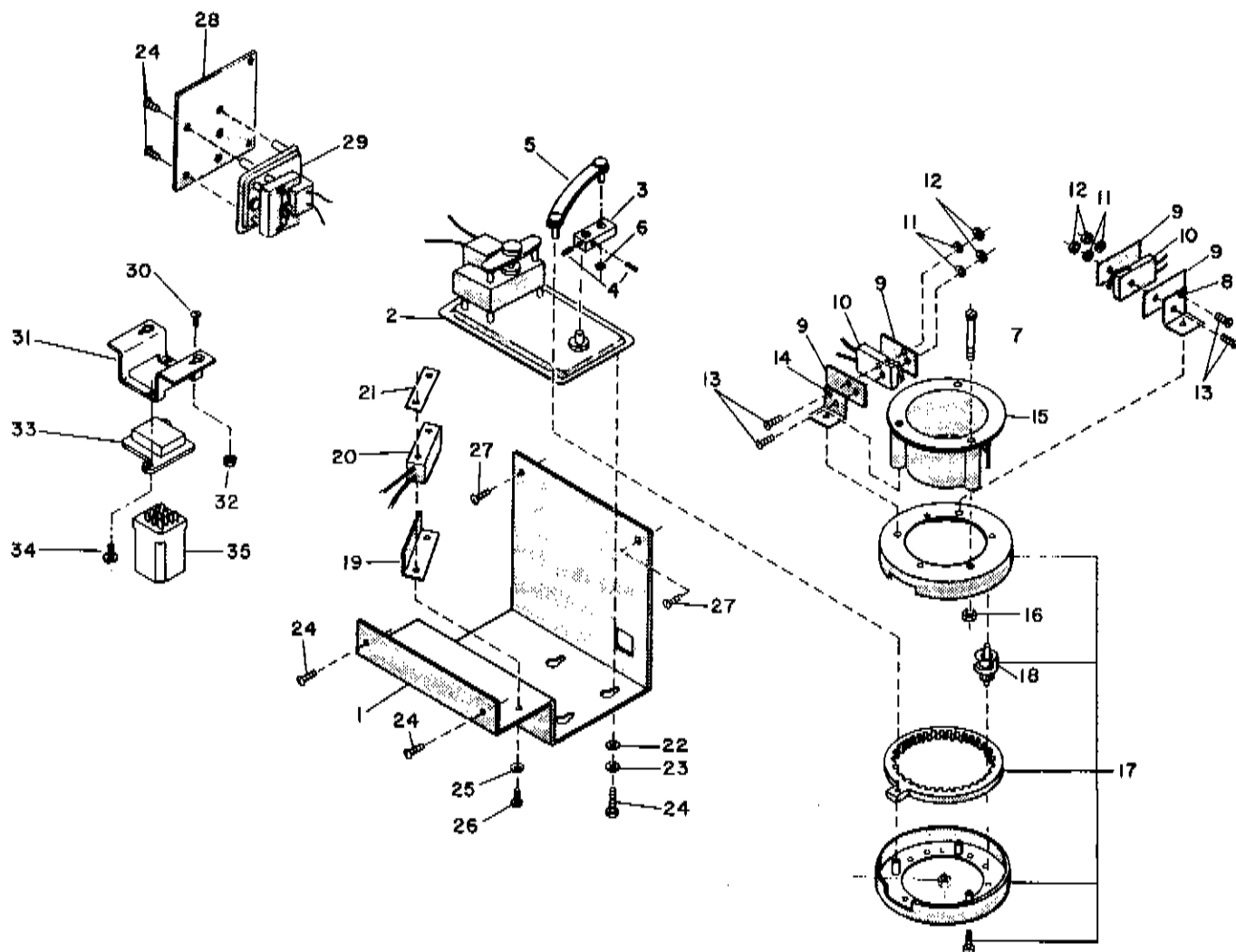
1. Door Only, Welded, Painted . . . . .	A21320	20. Switch, vend . . . . .	P21180
2. Extrusion, top, horizontal . . . . .	P21281	21. Panel, coin insert . . . . .	P21252
3. Insert, top. . . . .	A21299	22. Label, price . . . . .	P21253
4. Screw, 8-32 x 1/2, spade . . . . .	P16709	23. Indicator light & lens . . . . .	P14531
5. Nut, kep, 8-32 . . . . .	P11749	24. Bezel, coin insert . . . . .	P21217
6. Extrusion, center . . . . .	P21325	25. Spacer . . . . .	P18661
7. Insert, Center . . . . .	P21631	26. Nut, pal . . . . .	P18443
7A. Insert, Center (ARA Service Systems Option)	P21324	27. Bezel, coin return . . . . .	P21219
7B. Insert, Center (ARA Coffee Systems Option)	P21481	28. Rivet, pop, 5/32 dia. x 5/16 lg., crn. hd. . . .	P16749
8. Screw, 6-32 x 1/2 . . . . .	P14832	29. Bezel, cupwell . . . . .	P21218
9. Nut, keps, 6-32 . . . . .	P11745	30. Switch, selector (including 31) Unwired . . . .	P21195
10. Artwork . . . . .	P21244	30A. Switch, selector (including 31) Wired . . . . .	A21256
11. Extrusion, R.H., vertical . . . . .	P21326	31. Nut, selector . . . . .	P21637
12. Extrusion, L.H., vertical . . . . .	P21327	32. Knob, selector (including 33) . . . . .	P21206
13. Cap, end . . . . .	P21401	33. Screw, set, 10-32 x 3/8" . . . . .	P21496
14. Screw, 8-32 x 3/8, self tap . . . . .	P14806	34. Lock Assembly, 1/4 turn . . . . .	P21131
15. Extrusion, vinyl . . . . .	P21329	35. Cam, lock . . . . .	P21640
16. Trim, horizontal . . . . .	P21330	36. Lock w/handle (less item 37) . . . . .	P21639
17. Screw, 8-32 x 1/4, pan hd. . . . .	P14487	37. Plug, lock . . . . .	P21638
18. Trim, vertical . . . . .	P21331	38. Screw, 10-32 x 1/2, flt. hd. . . . .	P01792
19. Switch, extra (C. or S.) . . . . .	P21181	39. Nut, keps, 10-32 . . . . .	P11750



### ELECTRICAL BOX ASSEMBLY

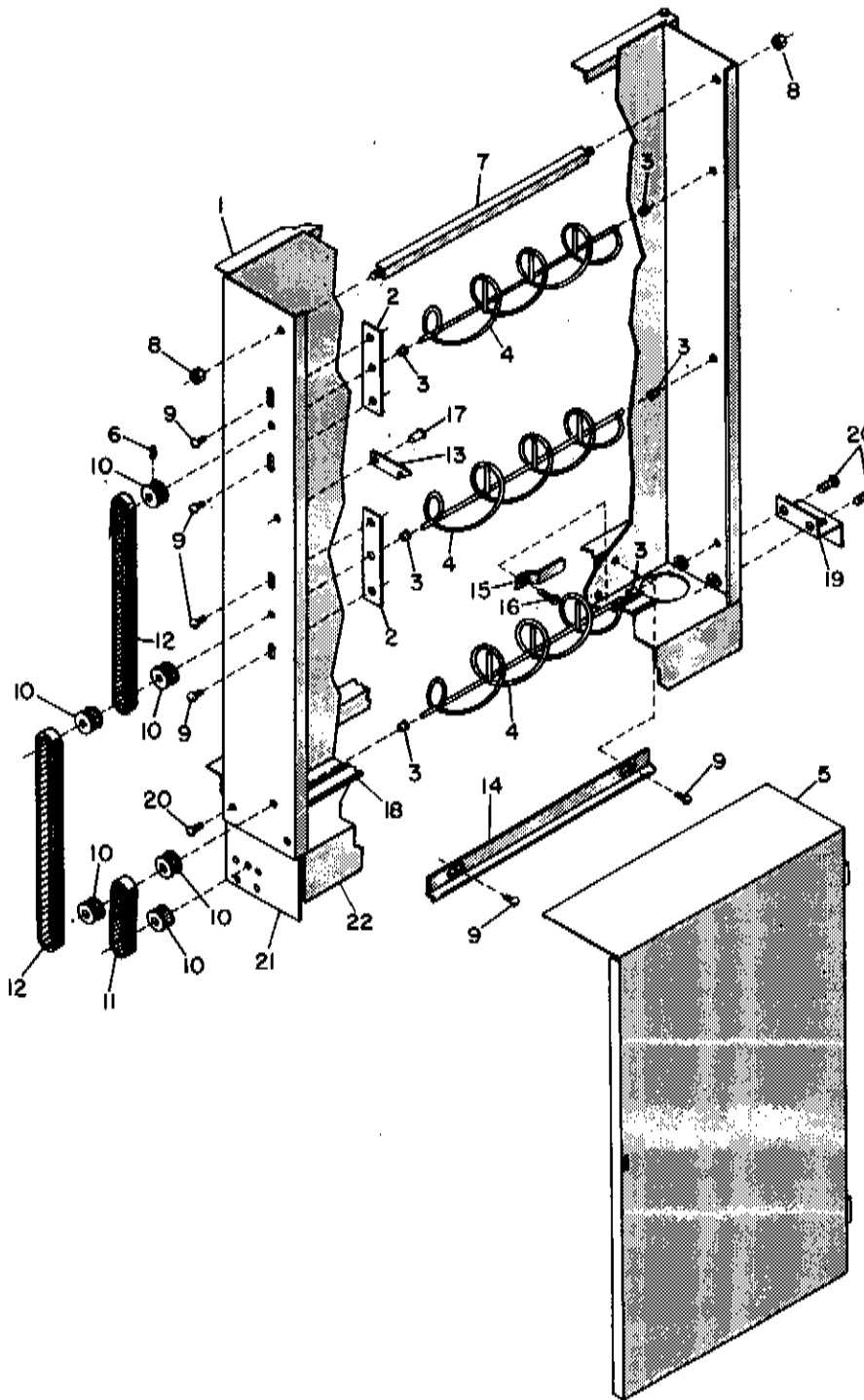
1. Electrical Box Wired . . . . .	A21118	14. Screw, 6-32 x 1/4, Round Head . . . . .	P00054
2. Lid, Electrical Box . . . . .	P21070	15. Socket, Heater . . . . .	P14177
3. Nut, Knurled, 8-32 . . . . .	P05625	16. Screw, 8-32 x 1/4", Pan Head . . . . .	P14487
4. Bracket, Switch . . . . .	A21067	17. Bracket, Relay Mount . . . . .	P17195
5. Nut, Hex, 7/16, 32 T.P.I. . . . .	P21644	18. Socket, Relay . . . . .	P16760
6. Breaker, Circuit (6A, Nameplate, Part of 6) . . . . .	P20174	19. Screw, 6-32 x 3/8" lg., Self Tapping . . . . .	P11982
7. Switch, Power, On-Off . . . . .	P17462	20. Relay, Plug-in . . . . .	P16759
8. Switch, Cycle . . . . .	P14572	21. Program Timer Assembly, 10 Seconds . . . . .	A21117
9. Nut, Hex, 15/32 - 32 T.P.I. . . . .	P15051	22. Motor, 18 rpm, w/12 tooth gear . . . . .	P17687
10. Board, Terminal . . . . .	P06807	23. Cam, Black . . . . .	P16502
11. Screw, 8-32 x 1/2" lg., Round Head . . . . .	P00163	24. Cam, White . . . . .	P16501
12. Bracket, Counter Mounting . . . . .	P21068	25. Switch Assembly . . . . .	P16499
13. Counter . . . . .	P17304		





### CUP DISPENSER CUP DROP ASSEMBLY

1. Plate, Mounting . . . . .	P16671	18A. Gear, Worm, Cup, 9 oz. . . . .	P19361
2. Motor, Cup Separator . . . . .	P16038	19. Insulator, Fishpaper . . . . .	P17049
3. Arm, Crank . . . . .	P15450	20. Switch, Cup Drop Motor . . . . .	P17081
4. Screw, Set, 8-32 x 3/16" . . . . .	P03272	21. Nut, Tinnerman Twin No. 6 . . . . .	P01179
5. Rod, Connecting . . . . .	A16657	22. Washer, Flat, No. 8 . . . . .	P00961
6. Push-on . . . . .	P04112	23. Washer, Lock, No. 8 . . . . .	P00167
7. Screw, Truss Head, 10-32 x 2-1/4" . . . . .	P16337	24. Screw, Pan Head, No. 8-32 x 1/4" . . . . .	P14487
8. Bracket, Spiral Motor Switch . . . . .	P16658	25. Washer, Plated, No. 6 . . . . .	P00826
9. Insulator, Fishpaper . . . . .	P12658	26. Screw, No. 6-32 x 1-1/4" Rd. Hd. . . . .	P05688
10. Switch . . . . .	P16733	27. Screw, No. 8-32 x 3/8" . . . . .	P14491
11. Washer, Lock, No. 2 . . . . .	P11603	28. Bracket, Spiral Motor Support . . . . .	P19250
12. Nut, Hex, No. 2-56 . . . . .	P16367	29. Motor, Spiral . . . . .	P12203
13. Screw, No. 2-56 x 1/2" Round Head . . . . .	P16365	30. Screw, 8-32 x 3/8", Pan Head . . . . .	P14491
14. Bracket, Sold-out Switch . . . . .	P16660	31. Bracket, Relay . . . . .	P17195
15. Throat, Cup Dispenser . . . . .	P16701	32. Nut, Kep, 8-32 . . . . .	P11749
16. Nut, Keps, No. 10-32 . . . . .	P11750	33. Socket, Relay . . . . .	P16760
17. Separator, Lisern, 7 oz. . . . .	P16012	34. Screw, 6-32 x 1/4, Self Tap, Flt. Hd. . . . .	P11982
17A. Separator, Lisern, 9 oz. . . . .	P16013	35. Relay . . . . .	P16759
18. Gear, Worm, Cup, 7 oz. . . . .	P19362		

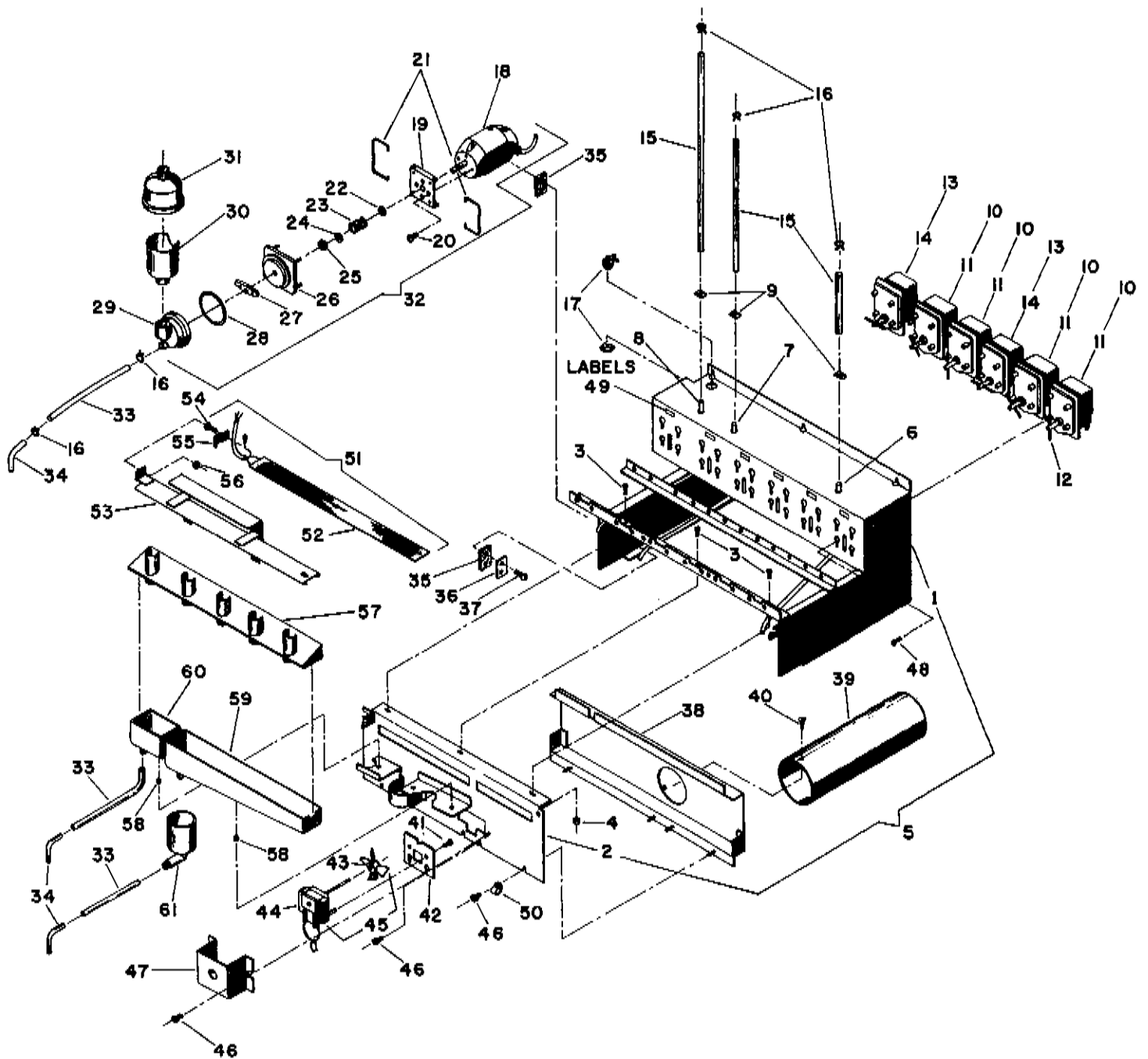


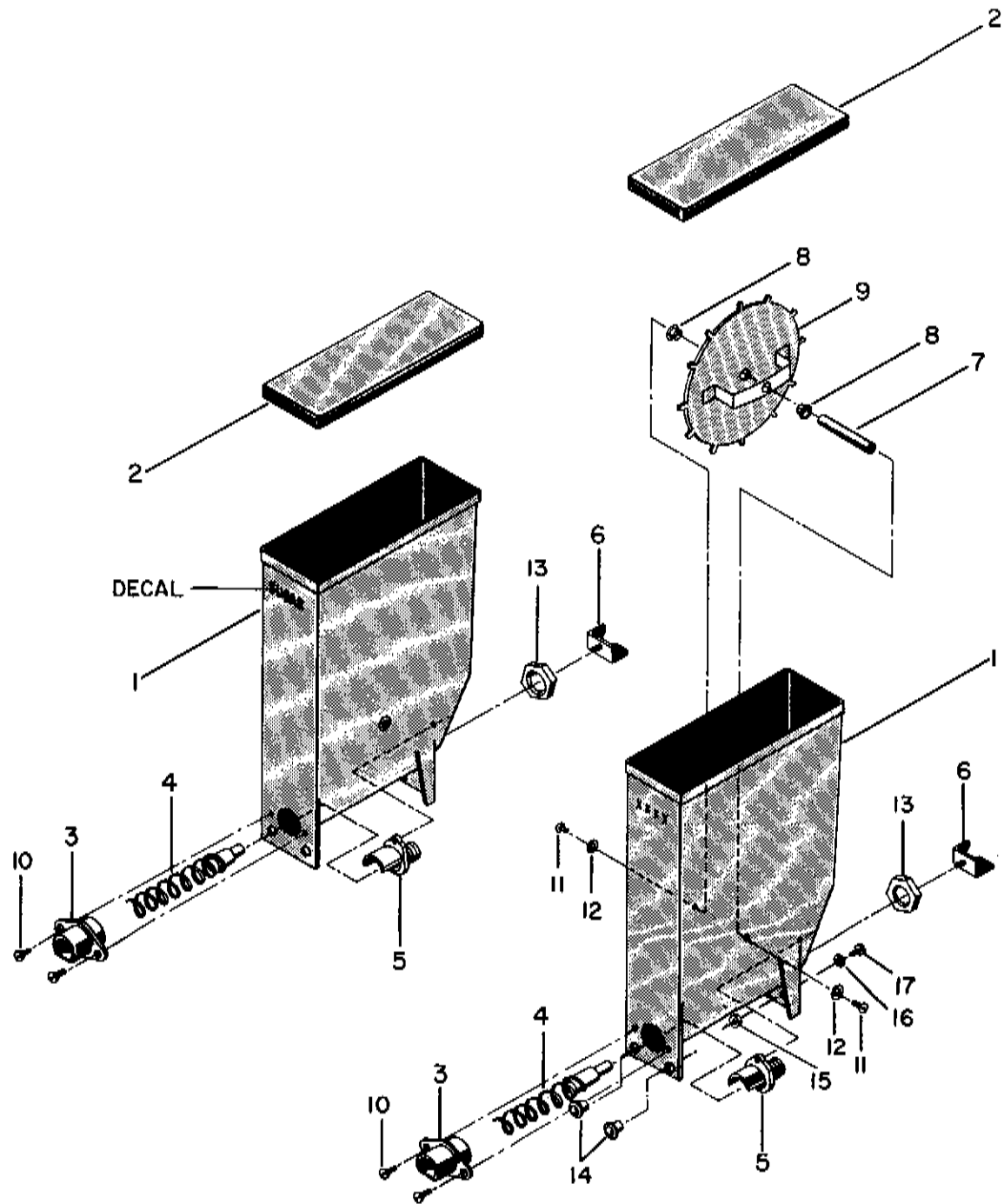
### SPIRAL ASSEMBLY, CUP DISPENSER

1. Wrapper . . . . .	A21158	13. Latch, Door . . . . .	P16689
2. Plate, Adjusting . . . . .	P16659	14. Guide, Cup Side . . . . .	P19252
3. Nyliner, No. 4L1-FF . . . . .	P09257	15. Guide, Cup Bottom . . . . .	P18173
4. Spiral, Cup . . . . .	A19247	16. Screw, Set, No. 8-32 x 3/4 . . . . .	P16748
5. Door . . . . .	A21156	17. Rivet, Shoulder . . . . .	P16769
6. Screw, Set, No. 8-32 x 1/4" . . . . .	P21459	18. Track, Snap-on . . . . .	P20239
7. Stiffener . . . . .	A19251	19. Bracket . . . . .	P19589
8. Nut, Kep, No. 8-32 . . . . .	P11749	20. Screw, Pan Head, No. 8-32 x 3/8" . . . . .	P14491
9. Screw, Pan Head, No. 8-32 x 1/4" . . . . .	P14487	21. Bracket Support, Spiral Motor . . . . .	P19250
10. Pulley Assembly (Includes 6 & 10A) . . . . .	A12493	22. Base Assembly . . . . .	A21154
10A. Pulley . . . . .	P10215		
11. Belt, Timing, 10" Long . . . . .	P10213	Spiral & Cup Drop Assembly, 7 oz. . . . .	A21875
12. Belt, Timing, 22" Long . . . . .	P13795	Spiral & Cup Drop Assembly, 9 oz. . . . .	A21876

## COMMODITY SYSTEM

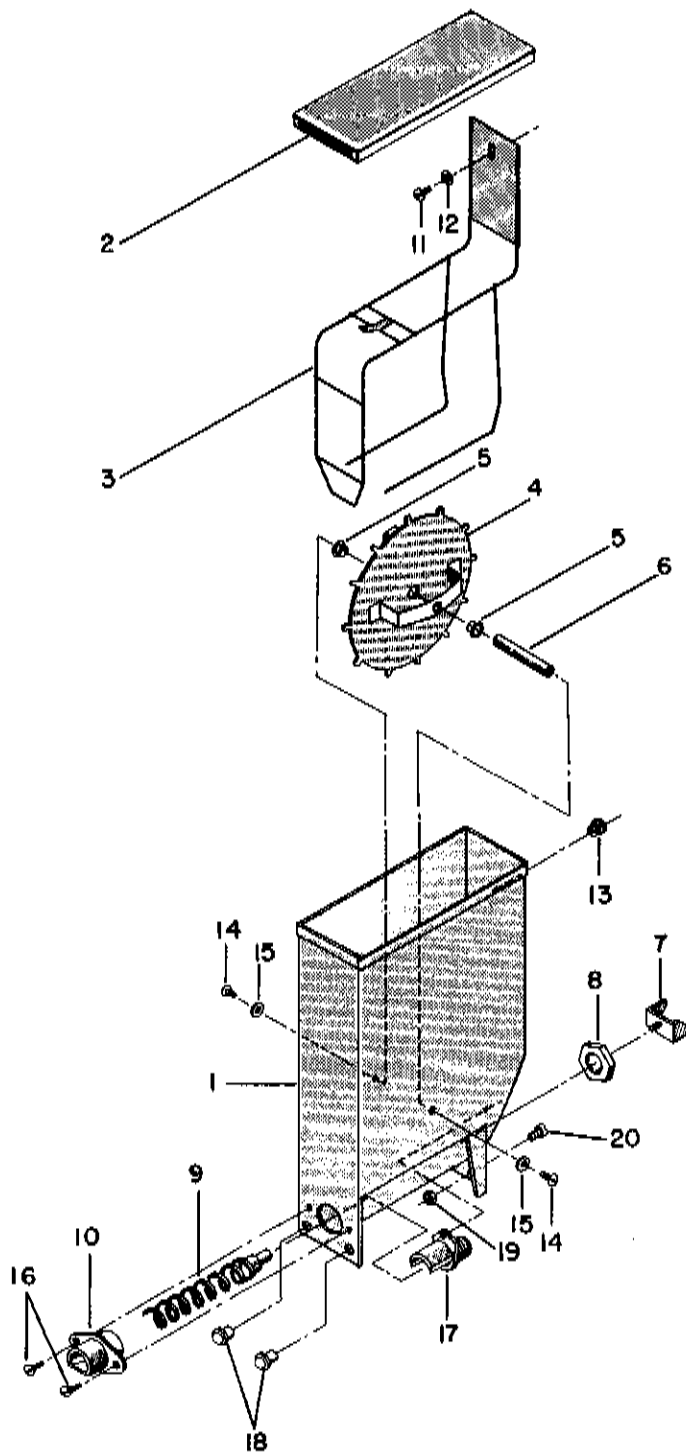
1. Rack, Canister (Less Items 2 - 4) . . . . .	A21164	34. Spout, Commodity Outlet . . . . .	P18301
2. Support Assembly, Trough . . . . .	A21182	35. Pad, Vibration . . . . .	P14180
3. Screw, No. 8-32 x 3/8, Pan Head . . . . .	P14491	36. Plate, Compression . . . . .	P14181
4. Nut, Kep, No. 8-32 . . . . .	P11749	37. Screw, No. 8-32 x 3/4, Pan Head . . . . .	P16748
5. Rack, Canister, w/Trough Support (Items 1-4) . . . . .	A21763	38. Housing, Duct and Fan . . . . .	A21270
6. Tube, Stainless Steel, Coffee-Tea Water . . . . .	P17625	39. Duct . . . . .	P21248
7. Tube, Stainless Steel, Soup Water . . . . .	P15740	40. Screw, No. 8-32 x 3/8, Self Tapping . . . . .	P14806
8. Tube, Stainless Steel, Chocolate Water . . . . .	P21486	41. Screw, No. 10-32 x 1/4, Pan Head . . . . .	P16434
9. Push-on, Tinnerman, 3/8 . . . . .	P14137	42. Bracket, Fan Motor Mounting . . . . .	P21242
10. Motor Assembly, 100 RPM (Incl. 11 & 12) Coffee - Creme - Tea - Soup . . . . .	A13999	43. Blade, Fan . . . . .	P21267
11. Motor, 100 RPM . . . . .	P07311	44. Motor, Exhaust . . . . .	P21268
12. Pin, Roll, 1/8 x 1-1/2 . . . . .	P15628	44A. Motor, Exhaust, Wired . . . . .	A21347
13. Motor Assembly, 170 RPM (Incl. 12 & 14) Chocolate - Sugar . . . . .	A13078	45. Motor and Fan, Unwired . . . . .	A21659
14. Motor, 170 RPM . . . . .	P06814	45A. Motor and Fan, Wired . . . . .	A21660
15. Tubing, PVC, 5/16 I.D. (per ft.) . . . . .	P09146	46. Nut, Knurled, No. 8-32 . . . . .	P14928
16. Clamp, Eaton, No. ER9 . . . . .	P08909	47. Cover, Exhaust Motor . . . . .	P21273
17. Clamp, Cable Strain Relief . . . . .	P00253	48. Screw, No. 8-32 x 1/4, Pan Hd. . . . .	P14487
18. Motor, Whipper, Wired . . . . .	A15409	49. Label Group, Canisters . . . . .	A20210
19. Plate, Motor Mounting . . . . .	P21447	50. Clamp, Cable . . . . .	P00638
20. Screw, No. 8-32 x 1/4, Pan Head . . . . .	P14487	51. Dehumidity Bar Assembly, Wired (Items 52 - 56) . . . . .	A21263
21. Spring, Closing . . . . .	P13915	52. Heater, Strip, Wired . . . . .	A21618
22. Slinger . . . . .	P13918	52A. Heater, Strip, Unwired . . . . .	P20878
23. Spring, Seal . . . . .	P13957	53. Bracket Assembly . . . . .	A20376
24. Washer, Seal Retainer . . . . .	P13959	54. Screw, No. 8-32 x 3/8, Pan Head . . . . .	P14491
25. Seal (Leather) . . . . .	P13958	55. Clamp, Cable . . . . .	P00638
26. Housing, Inner . . . . .	P13910	56. Nut, Kep, No. 8-32 . . . . .	P11749
27. Impellor . . . . .	P13912	57. Deflector, Steam & Commodity Chute . . . . .	P20225
28. Ring, "O", 2-1/4 ID x 1/8 Wall . . . . .	P13919	58. Clip, Tubular, Tinnerman . . . . .	P13380
29. Housing, Outer . . . . .	P13909	59. Trough, Coffee & Tea . . . . .	P13342
30. Entrance, Funnel, Bottom . . . . .	P14746	60. Trough, Soup . . . . .	P20224
31. Entrance, Funnel, Top (Snap-on) . . . . .	P14745	61. Funnel, Mixing Cup . . . . .	P13858
32. Whipper Assembly (Items 18 - 31) Wired . . . . .	A16521	<b>CANISTER RACK ASSEMBLY;</b>	
33. Tubing, Silicone, 5/16 I.D. x 1/2 O.D. (per ft) . . . . .	P19033	WIRED (incl. 1-38, 41-50) . . . . . A21762	





### CANISTER ASSEMBLIES

ASSEMBLY, CANISTER (COFFEE) . . . . .	A21151	5. Bearing, Rear . . . . .	P14012
ASSEMBLY, CANISTER (LIGHT) . . . . .	A16111	6. Driver, Auger . . . . .	P15419
ASSEMBLY, CANISTER (SUGAR) . . . . .	A16527	7. Axle, Wheel (not used on sugar) . . . . .	P14017
ASSEMBLY, CANISTER (TEA) . . . . .	A16528	8. Bearing, Nylon - 2 req'd (not used on sugar) . . . . .	P14013
ASSEMBLY, CANISTER (SOUP) . . . . .	A16529	9. Wheel Assembly, Commodity (not used on sugar) . . . . .	A19348
1. Canister Only . . . . .	P14006	10. Screw, Flat Head, S. T. No. 6-32 x 3/8 . . . . .	P21492
2. Lid, Canister . . . . .	P06695	11. Screw, 6-32 x 3/8 Lg., Pan Hd. (Not used on sugar) . . . . .	P00825
3. Spout & Bearing, Louverless (Coffee, Light, Sugar) . . . . .	P20830	12. Washer, Flat, No. 6 (not used on sugar) . . . . .	P00826
3A. Spout & Bearing, Louvered (Tea) . . . . .	P14010	13. Nut, Pal, 5/8-11 . . . . .	P14190
3B. Spout & Bearing, Louverless (Soup) . . . . .	P14011	14. Catch, Bullet . . . . .	P14129
4. Auger & Shaft Assembly (Coffee, Light, Sugar) . . . . .	A20834	15. Nut, Kep, 8-32 . . . . .	P11749
4A. Auger & Shaft Assembly (Tea, Soup) . . . . .	A14007	16. Washer, No. 8, Flat . . . . .	P00961
		17. Screw, 8-32 x 3/8, Round Head . . . . .	P17793



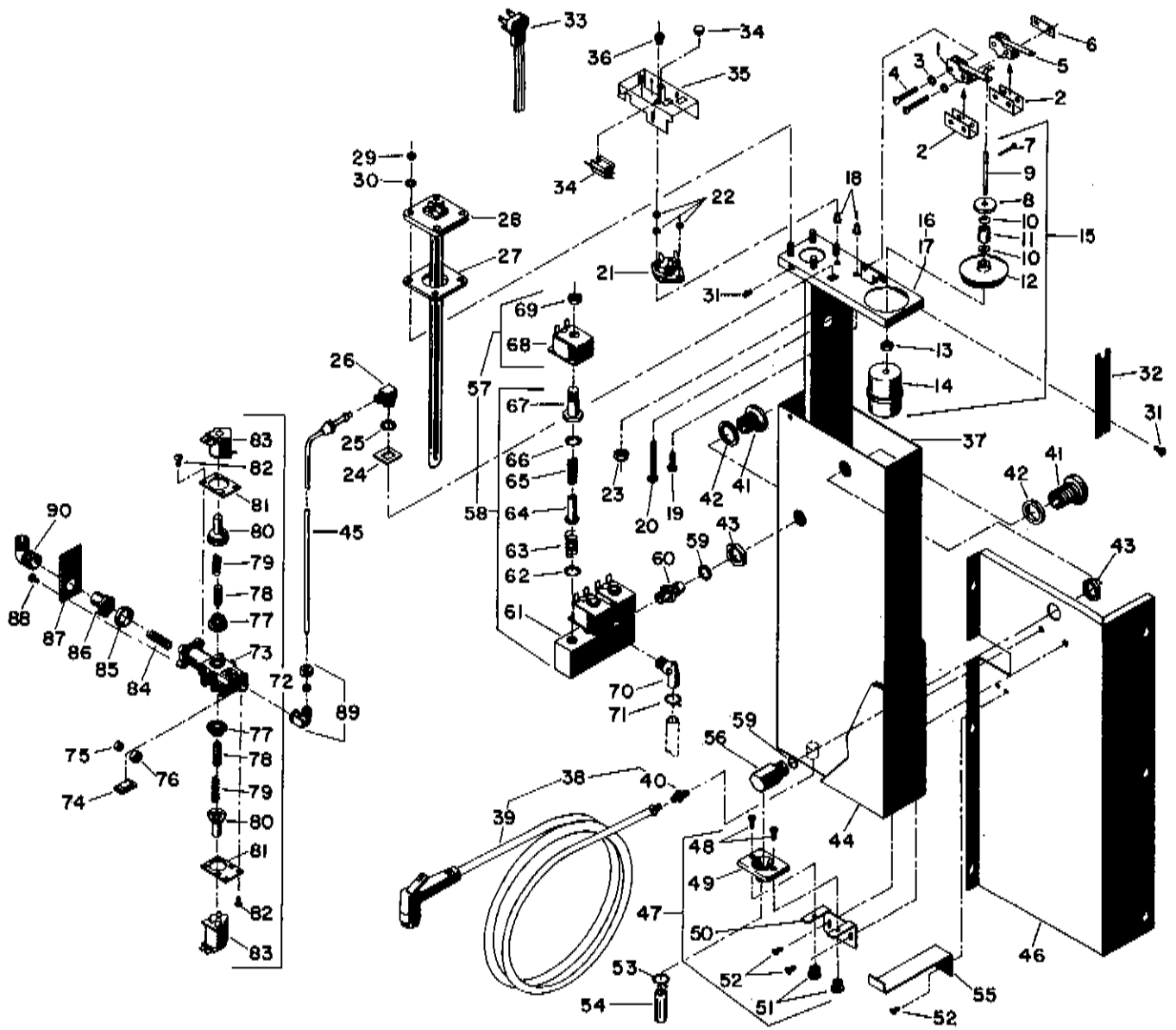
### CHOCOLATE CANISTER ASSEMBLY

Assembly, Canister (Chocolate) 5 lbs. . . . . A21150  
 Assembly, Canister (Chocolate) 7 lbs. . . . . A16431

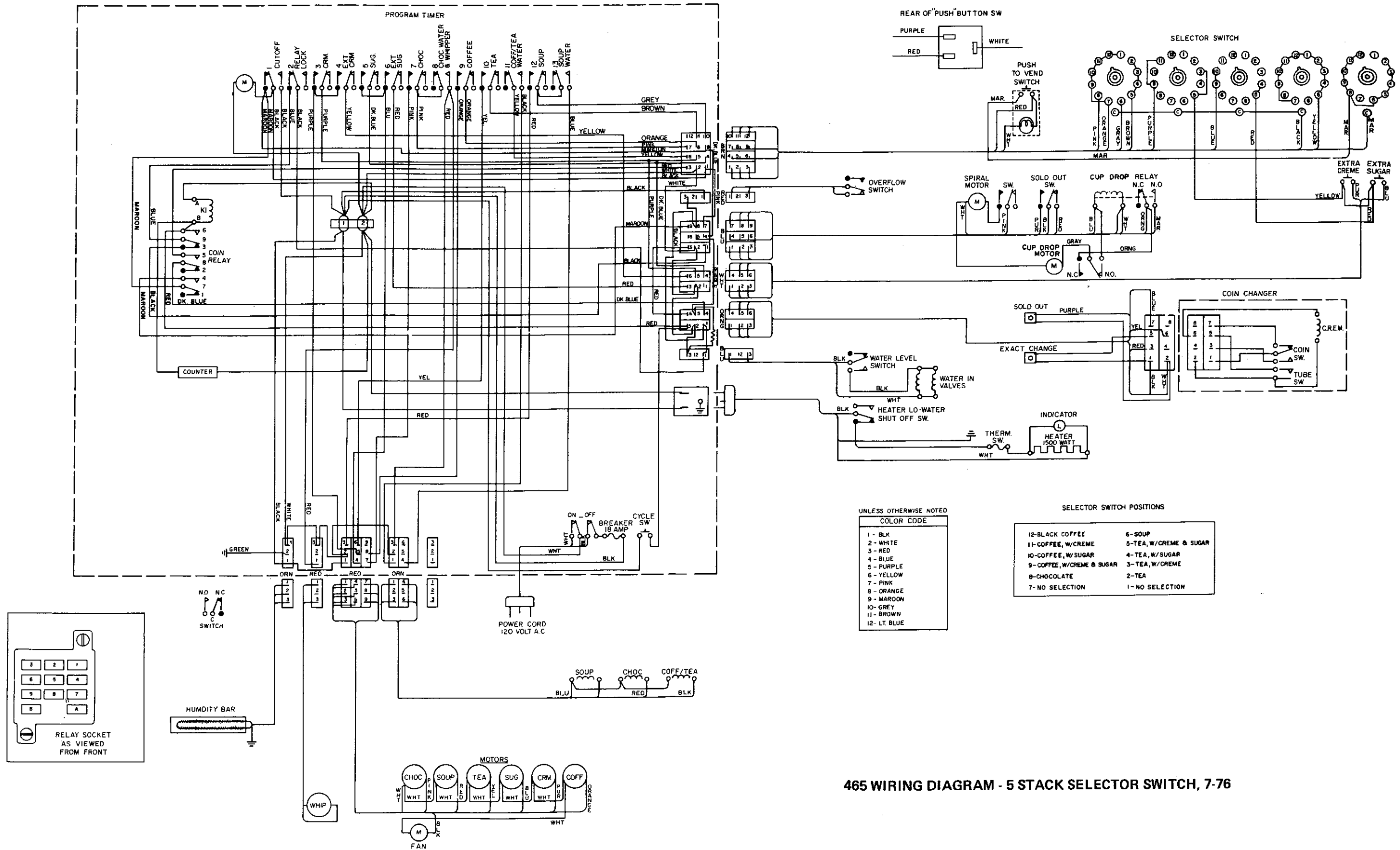
- |   |        |   |        |
|---|--------|---|--------|
| 1. Canister Only, Chocolate, 5 lbs. . . . .   | P14006 | 9. Assembly, Auger & Shaft . . . . .            | A14023 |
| 1A. Canister Only, Chocolate, 7 lbs. . . . .  | A19226 | 10. Spout & Bearing, Louverless . . . . .       | P14011 |
| 2. Lid, Canister, Chocolate . . . . .         | P06695 | 11. Screw, 6-32 x 1/2 LG., Round Head . . . . . | P00051 |
| 3. Agitator, Chocolate . . . . .              | A06803 | 12. Washer, Flat, No. 6 . . . . .               | P00826 |
| 4. Wheel, Commodity, Chocolate . . . . .      | A19348 | 13. Nut, Knurled, 6-32 . . . . .                | P04862 |
| 5. Bearing, Nyliner 4L4FK (2 req'd) . . . . . | P14013 | 14. Screw, 6-32 x 3/8 Pan Head . . . . .        | P00825 |
| 6. Axle, Wheel . . . . .                      | P14017 | 15. Washer, Flat, No. 6 . . . . .               | P00826 |
| 7. Driver, Auger . . . . .                    | P15419 | 16. Screw, 6-32 x 3/8, Flat Head . . . . .      | P21492 |
| 8. Nut, Pal, 5/8 - 11 . . . . .               | P14190 | 17. Bearing, Rear . . . . .                     | P14012 |
|   |        | 18. Catch, Bullet . . . . .                     | P14129 |
|   |        | 19. Nut, Kep, 8-32 Hex . . . . .                | P11749 |
|   |        | 20. Screw, 8-32 x 3/8, Round Head . . . . .     | P17793 |

## HOT WATER TANK ASSEMBLY

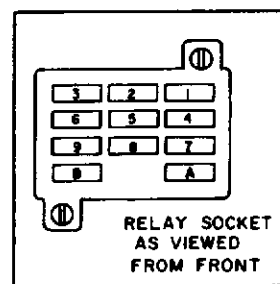
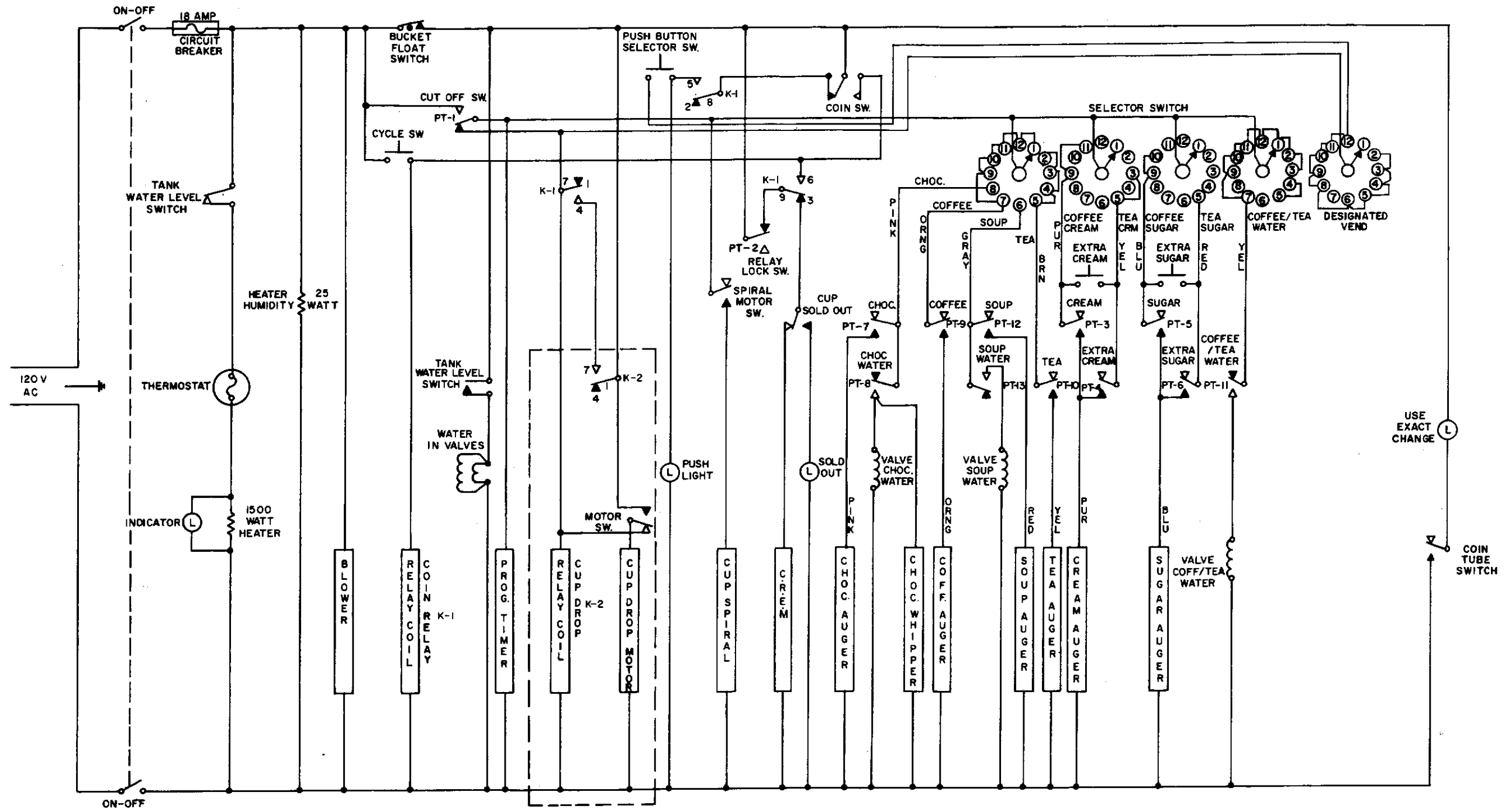
TANK ASSEMBLY, COMPLETE (Items 1 - 71) ..	A21770	45. Tube Assembly, Water Inlet .....	A21148
1. Switch .....	A20001	46. Cover, Hot Water Tank .....	P21172
2. Insulator .....	P00784	47. Overflow Funnel & Bracket Assembly	
3. Washer, Flat, No. 6 .....	P00826	(Items 48 - 51) .....	A21768
4. Screw, No. 6-32 x 1-3/4, Rd. Hd. ....	P17428	48. Screw, No. 6-32 x 1/2, Flt. Hd. ....	P15022
5. Switch .....	P05844	49. Funnel, Overflow .....	P18542
6. Nut, Twin, Tinnerman, No. 6 .....	P01179	50. Bracket, Overflow Funnel .....	P21395
7. Pin, Cotter, 1/16 Dia. x 1/2,		51. Nut, Knurled, No. 6-32 .....	P04862
Stainless Steel .....	P06031	52. Screw, No. 8-32 x 3/8, Self Tap .....	P14806
8. Weight .....	P21173	53. Ring, Clamp, Eaton ER-14 .....	P13315
9. Rod, Float .....	P21396	54. Tubing Neoprene, Overflow .....	P15618
10. Push-on, Tinnerman .....	P08665	55. Support, Commodity Water Valve .....	P21594
11. Protector .....	P16079	56. Fitting, Overflow .....	P21394
12. Cover, Access .....	P19025	57. Valve Assembly, Commodity w/Coils	
13. Nut, No. 6-32, Hex, Brass .....	P00046	(Items 59 - 69) .....	A21769
14. Float .....	P19041	58. Valve Assembly, Commodity Less Coils	
14A. Float & Rod Assembly (incl. 9, 13 & 14) ..	A21877	(Items 59 - 67) .....	A21176
15. Float, Rod & Access Cover Assembly		59. Ring, "O" .....	P14759
(Items 8 thru 14) .....	A21764	60. Adapter, Valve .....	P16216
16. Lid Assembly, Hot Water Tank		61. Body, Valve .....	P21125
(Items 17 - 30) .....	A21765	62. Ring "O" .....	P00522
17. Lid .....	A21174	63. Spring, "O" Ring .....	P00631
18. Spacer, Stand-off .....	P21390	64. Plunger, Valve .....	P00632
19. Screw, Brass, No. 8-32 x 3/4, Pan Hd. ....	P21143	65. Spring, Plunger .....	P00255
20. Screw, Brass, No. 8-32 x 2, Pan Hd. ....	P21142	66. Ring "O" .....	P00519
21. Thermostat .....	P21086	67. Sleeve Assembly .....	A00240
22. Nut, Keps, No. 8-32 .....	P11749	68. Coil .....	P05530
23. Nut, Jam .....	P11025	69. Nut, Pal, 1/2 .....	P00247
24. Gasket .....	P06396	70. Elbow, Vented, Water-out .....	P14470
25. Washer, Flat, Nylon .....	P19016	71. Clamp, Eaton, ER-9 .....	P08909
26. Fitting .....	P19015	72. Valve Assembly, Water Inlet	
27. Gasket, Heater .....	P21684	(Items 73 - 88) .....	A17370
28. Heater, 120 volt, 1500 watts .....	P21085	73. Body, Valve .....	P16449
29. Nut, 1/4-20, Hex .....	P07262	74. Plug, Seal .....	P16474
30. Washer .....	P00816	75. Washer, Flow .....	P16473
31. Screw, 8-32 x 3/8, Self Tap,		76. Insert, Flow Washer Seat .....	P19817
Stainless Steel .....	P21685	77. Diaphragm .....	P16450
32. Hanger, Rinse Hose .....	P15710	78. Armature .....	P16451
33. Cord & Plug, Heater (Includes Item 34) ....	A21712	79. Spring .....	P16452
34. Indicator, Neon & Lens .....	P14531	80. Guide .....	P16453
35. Cover, Thermostat .....	P21202	81. Plate, Hold Down .....	P16471
36. Nut, Knurled, No. 8-32 .....	P14928	82. Screw .....	P16493
37. Tank, Only, Hot Water .....	A21177	83. Coil, White .....	P18116
38. Hose, Spray, w/Adaptor (Items 39 & 40) ..	A21767	84. Screen, Inlet Valve .....	P16476
39. Hose, Spray (without adaptor) .....	P14494	85. Gasket .....	P16477
40. Adaptor, 1/4 MPT x 1/8 FPT .....	P08229	86. Fitting, Inlet .....	P16478
41. Fitting, Tank, Non-weld .....	P21136	87. Plate, Mounting .....	P16479
42. Gasket .....	P21138	88. Screw, Mounting Plate .....	P16489
43. Nut, Tank Non-weld Fitting .....	P21137	89. Elbow, 1/4 OD Tube x 1/4 FPT .....	P14304
44. Insulation, Fiberglass .....	P13516	90. Elbow, 90°, 3/8 MPT x 3/8 MFL .....	P00532







465 WIRING DIAGRAM - 5 STACK SELECTOR SWITCH, 7-76

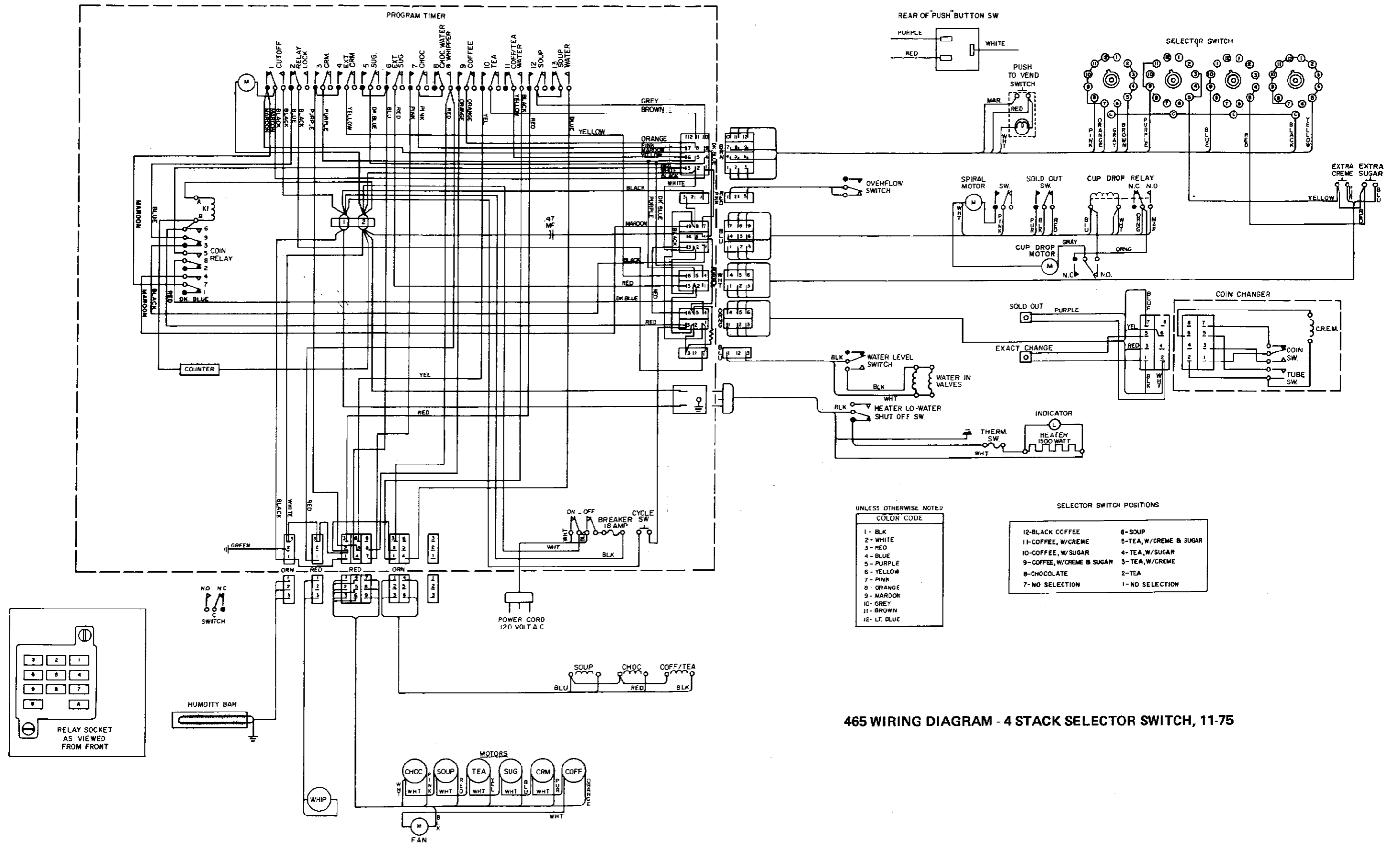


SELECTOR SWITCH POSITIONS

1-NO SELECTION	6-SOUP
12-BLACK COFFEE	5-TEA, CREAM & SUGAR
11-COFFEE & CREAM	4-TEA & SUGAR
10-COFFEE & SUGAR	3-TEA & CREAM
9-COFFEE, CREAM & SUGAR	2-TEA
8-CHOC.	
7-NO SELECTION	

PT - PROGRAM TIMER SWITCH  
K - RELAY

465 SCHEMATIC DIAGRAM - 5 STACK SELECTOR SWITCH, 7-76

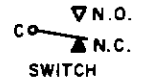
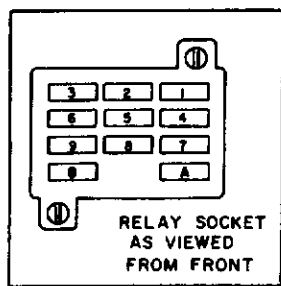
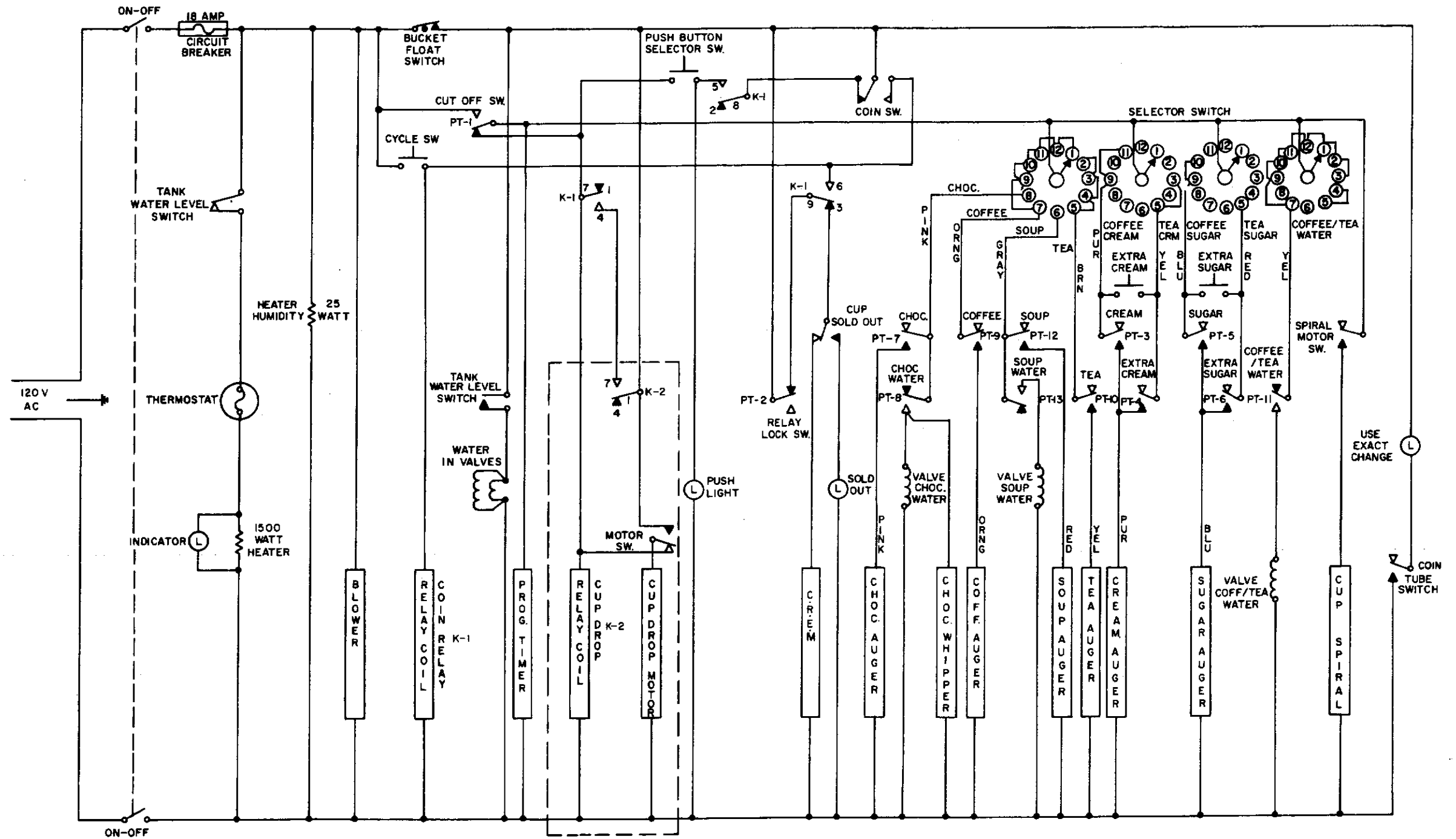


UNLESS OTHERWISE NOTED

COLOR CODE	
1 -	BLK
2 -	WHITE
3 -	RED
4 -	BLUE
5 -	PURPLE
6 -	YELLOW
7 -	PINK
8 -	ORANGE
9 -	MAROON
10 -	GREY
11 -	BROWN
12 -	LT. BLUE

SELECTOR SWITCH POSITIONS	
12 -	BLACK COFFEE
11 -	COFFEE, W/CREME
10 -	COFFEE, W/SUGAR
9 -	COFFEE, W/CREME & SUGAR
8 -	CHOCOLATE
7 -	NO SELECTION
6 -	SOUP
5 -	TEA, W/CREME & SUGAR
4 -	TEA, W/SUGAR
3 -	TEA, W/CREME
2 -	TEA
1 -	NO SELECTION

465 WIRING DIAGRAM - 4 STACK SELECTOR SWITCH, 11-75



SELECTOR SWITCH POSITIONS

1-BLACK COFFEE	6-SOUP
12-BLACK COFFEE	5-TEA, CREAM & SUGAR
11-COFFEE & CREAM	4-TEA & SUGAR
10-COFFEE & SUGAR	3-TEA & CREAM
9-COFFEE, CREAM & SUGAR	2-TEA
8-CHOC.	
7-BLACK COFFEE	

PT - PROGRAM TIMER SWITCH  
K - RELAY

465 SCHEMATIC DIAGRAM - 4 STACK SELECTOR SWITCH, 11-75

)

)

)