

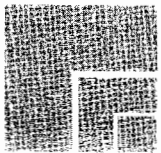
SERIES 850

SERIES 850

SERIES 850

replacement parts manual

REPLACEMENT PARTS



RMI Refreshment Machinery Industries

300 JACKSONVILLE RD. • WARMINSTER, PA 18974 • (215) 675-4200

Printed in U. S. A. Revised: 2/1985

SPECIFICATIONS

RMi 850

CAPACITY

7 oz. cups

850 cups

DIMENSIONS

Height

72"

Depth

27¼"

Width

35"

WEIGHT

Crated

490 lb.

223 kg.

ELECTRICAL

Voltage

120 V

Amperage

16 A

Frequency

60 Hz

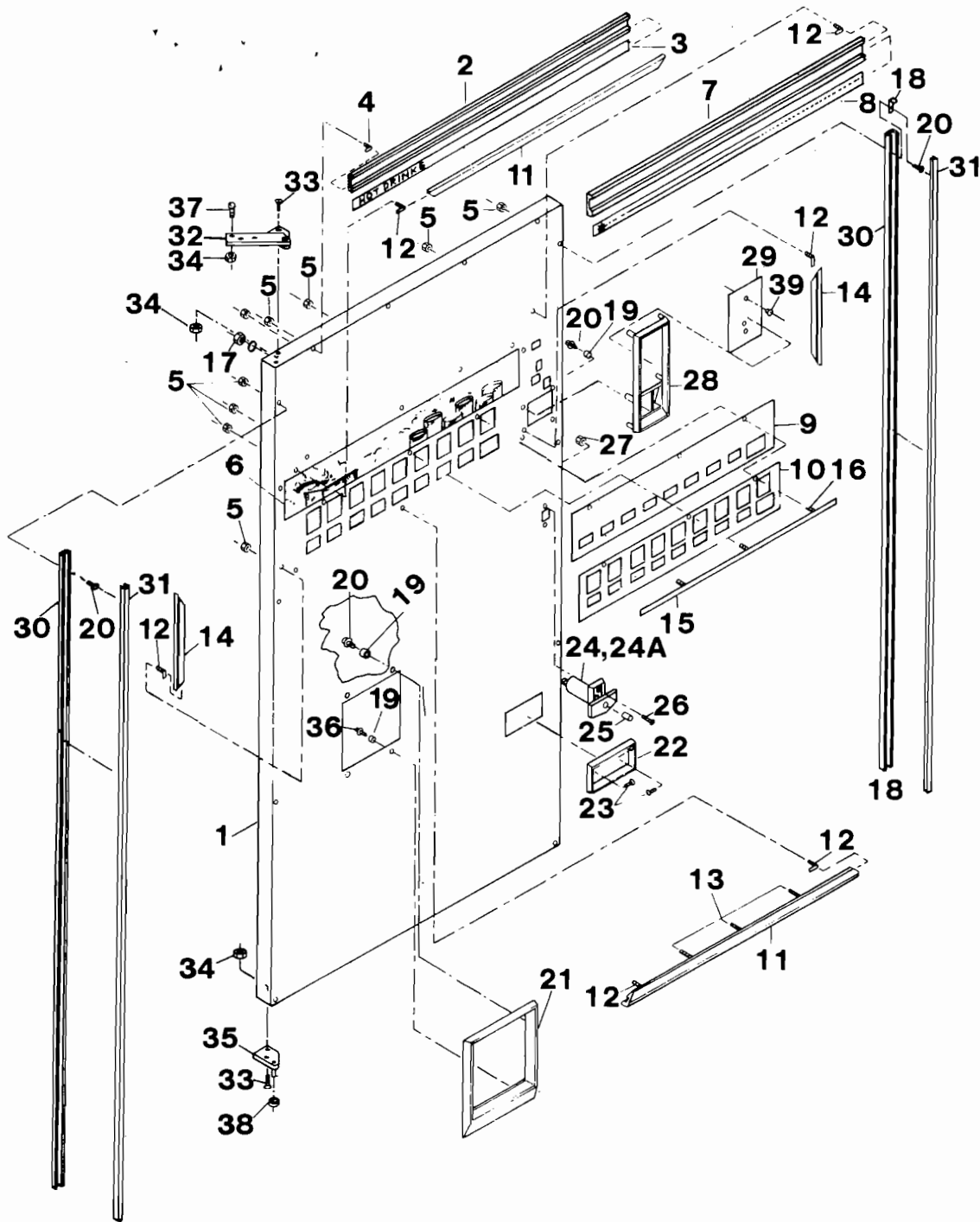
WATER SYSTEM

Water Pressure

5 psi Min.

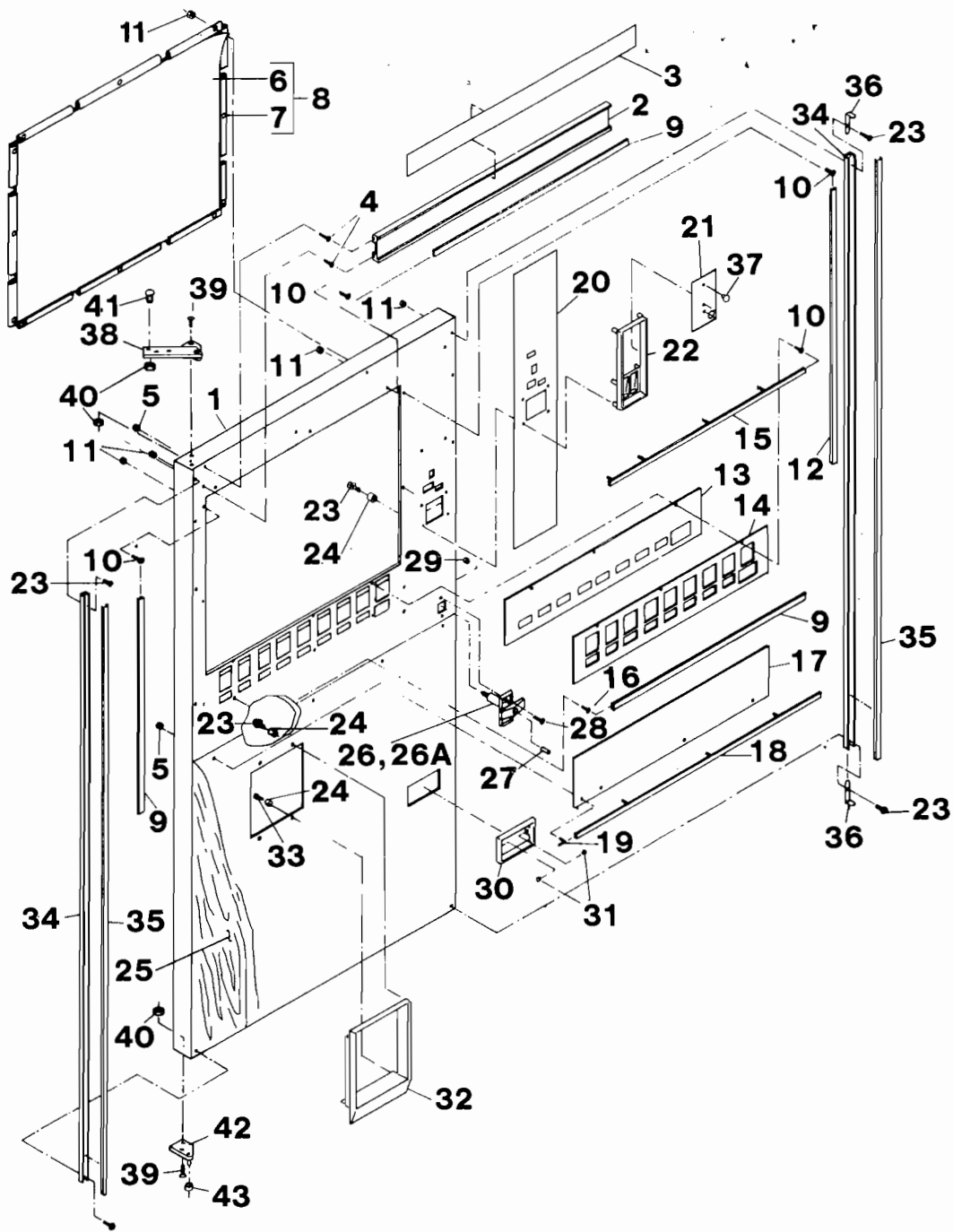
INDEX

Door, Exterior, ARA'	1.01
Door, Exterior, Award-Flat	1.02
Door, Exterior, Award-Shadow Box	1.03
Door, Exterior, Crown	1.04
Door, Exterior, Designer Series	1.05
Door, Exterior, Furniture	1.06
Door, Exterior, Golden II	1.07
Door, Exterior, Imperial Crown	1.08
Door, Exterior, Vendo/Versatile	1.09
Door, Exterior, Wheatstone-Flat	1.10
Door, Exterior, Wheatstone-Shadow Box	1.11
Door, Interior, ARA & Vendo/Versatile	2.01
Door, Interior, Award & Wheatstone-Flat	2.02
Door, Interior, Award & Wheatstone-Shadow Box	2.03
Door, Interior, Crown, Designer, Furniture, Golden II & Imperial Crown	2.04
Selector Switch Asm	3.01
Cabinet & Miscellaneous Items	4.01
Canister Rack Asm	5.01
Blower Asm Exhaust & Components	5.02
Reservoir Asm and Water Inlet System	6.01
Float & Float Rod Asm	6.01A
Valve Asm, Water-In	6.02
Hot Water Tank Asm	7.01
Valve Asm Brewer, Eaton	7.02
Canisters	8.01
Canister Asm, Coffee, 850LG	8.02
Canister Asm, Coffee, 850-LG-DH; With Lid; 9 Lb. & 6 Lb.	8.03
Canister Asm, Coffee, 850-LG-DH; With Lid; 11 Lb. & 4.5 Lb.	8.04
Cup Dispenser Assembly	9.01
Base Asm, Cup Dispenser, Non-Adjustable	9.02
Base Asm, Cup Dispenser, Adjustable	9.03
Thermostat Assembly, Reservoir System	10.01
Valve Asm, Commodity – RMI Style	11.01
Valve Asm, Commodity – Eaton Style	11.02
Valve Asm, Eaton	11.03
Manifold Valve Asm, Eaton	11.04
Valve Asm, Eaton, Less Attached Retainer on Coil	11.05
Coffee Hopper Support Bracket	12.01
Bracket Asm, Coffee Hopper	12.02
Brewer Swing-Out Mounting Brackets	13.01
Brewer Assembly	14.01
Brewer Back Plate and Front Channel	14.02
Brewer Cylinder and Piston	14.03
Brewer Main Frame Assembly	14.04
Brewer Base Assembly	14.05
Brewer Base Asm w/Deep Covered Brew Chamber	14.05A
Brewer Motor	14.06
Brewer Motor	14.07
Electrical Box Asm, 10 Selection with Printed Circuit Board	15.01
Electrical Box Asm, 14 Selection with Printed Circuit Board	15.02
Electrical Box Asm, 14 Selection, Hand Wired	15.03
Electrical Box Asm, Commoditator	15.04
Logic and Relay Boards; Commoditator Intro Pack Kits	15.05
Filter Asm & Power Cord	15.06
Relay Asm; 850-LG-DH	15.07
Relay Asm; 850-LG-W/XSTG	15.08
Relay Asm; 850 LG-DH–W/XSTG	15.09
Wiring Diagram, Commoditator, Below Serial No. 76127	16.01
Schematic Diagram, Commoditator, Below Serial No. 76127	16.02
Wiring Diagram, 14 Selection, PC & 10 Selection Above Serial No. 66760	16.03
Schematic Diagram, 14 Selection, PC & 10 Selection Above Serial No. 66760	16.04
Wiring Diagram, 10 Selection PC Below Serial No. 66760	16.05
Schematic Diagram, 10 Selection, PC Above Serial No. 66760	16.06
Schematic Diagram, Commoditator, Serial No. 76127 and Above	16.07
Wiring Diagram, Commoditator, Serial No. 76127 and Above	16.08



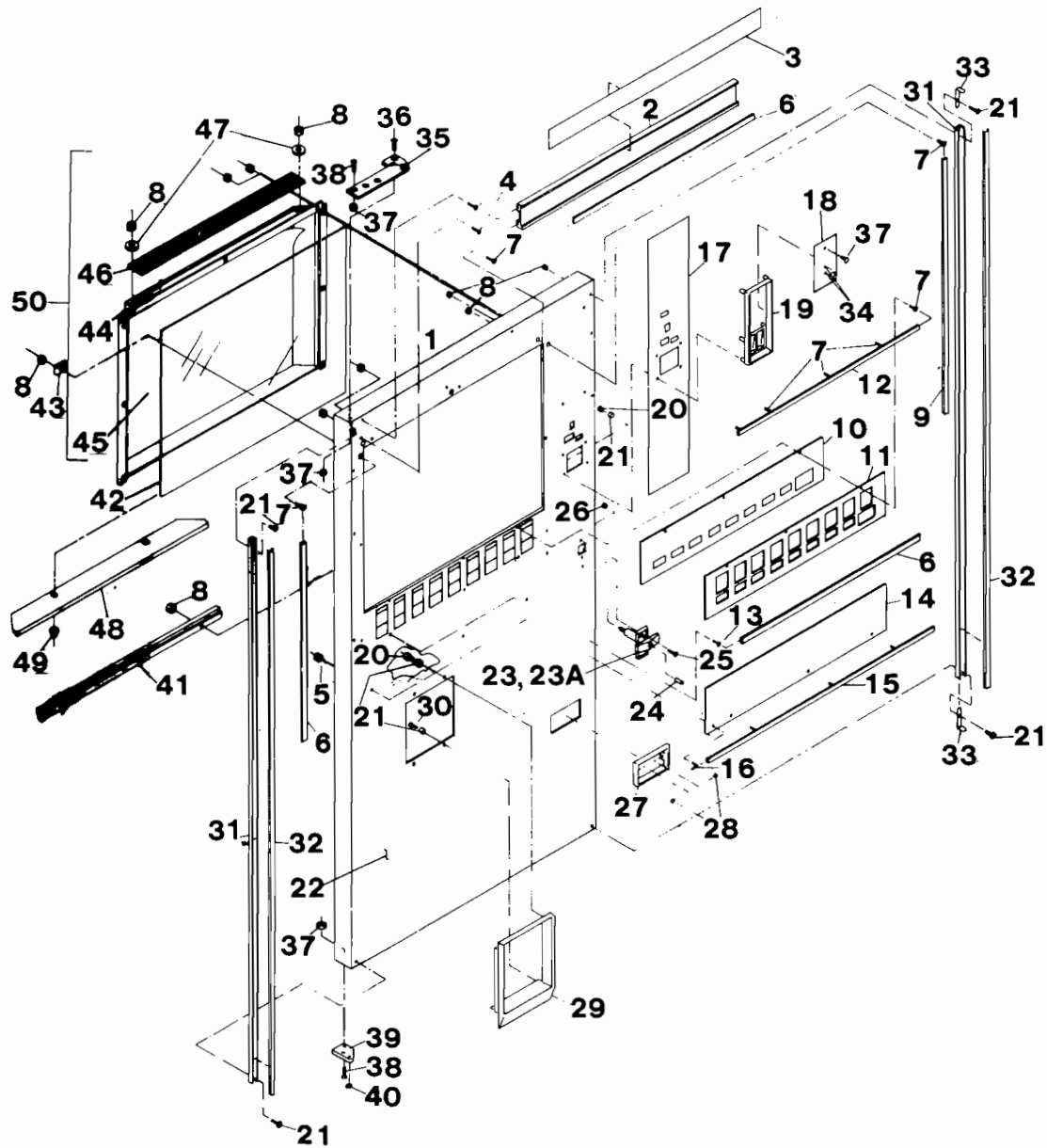
850 ARA EXTERIOR DOOR COMPLETE – A26503

1. Door Only, Welded	A26410	21. Bezel, Cupwell.	P17906
2. Trim, Top	P18935	22. Bezel, Coin Return	P17909
3. Insert, Top.	P18946	23. Rivet, Pop, 5/32 dia. x 5/16 long	P16749
4. Screw, #6-32x3/8 PHM	P16492	24. Lock, Screw Type, with Item 25	P19261
5. Nut, Kep, #6-32	P11745	24A. Lock, Screw Type, Less Item 25	P23397
6. Artwork	P18441	25. Cylinder, Lock, with RY-2 Key	P23010
7. Trim, Center, Horizontal.	P24125	26. Screw, #10-32 x 3/4 FHM.	P18448
8. Insert, Center	P20188	27. Nut, Kep, #10-32.	P11750
9. Panel, Selector, Cover & Guide	P21808	28. Bezel, Coin Insert & Reject	P17907
10. Panel, Selector.	P21612	29. Label, Instructions	P18670
11. Trim, Artwork, Top & Bottom	P18436	30. Trim, Door, Vertical L&R	P18647
12. Screw, Weld, #6-32 x 1/2	P14832	31. Cap, Trim, Door Side.	P18876
13. Screw, Weld, #6-32 x 1	P19516	32. Hinge, Top.	A24605
14. Trim, Artwork, Vertical	P18438	33. Screw, 1/4-20 x 5/8 HSFHM	P22181
15. Trim, 3/8 Center	P18459	34. Nut, Kep 1/4-20.	P12518
16. Screw, #8-32 x 1/2 BHM	P22995	35. Hinge, Bottom.	A18159
17. Nut, Kep, #8-32	P11749	36. Screw, #8 x 5/16 P.H., Type 'F'	P25795
18. Cap, End.	P18965	37. Screw, 1/4-20 x 5/8 STHM (attach. hinge to cabinet)	P24750
19. Ferrule	P19563	38. Washer, Flat	P27813
20. Screw, #8 x 3/8 H.H., Type 'F'	P14806	39. Lens, Indicator – Red	P27934



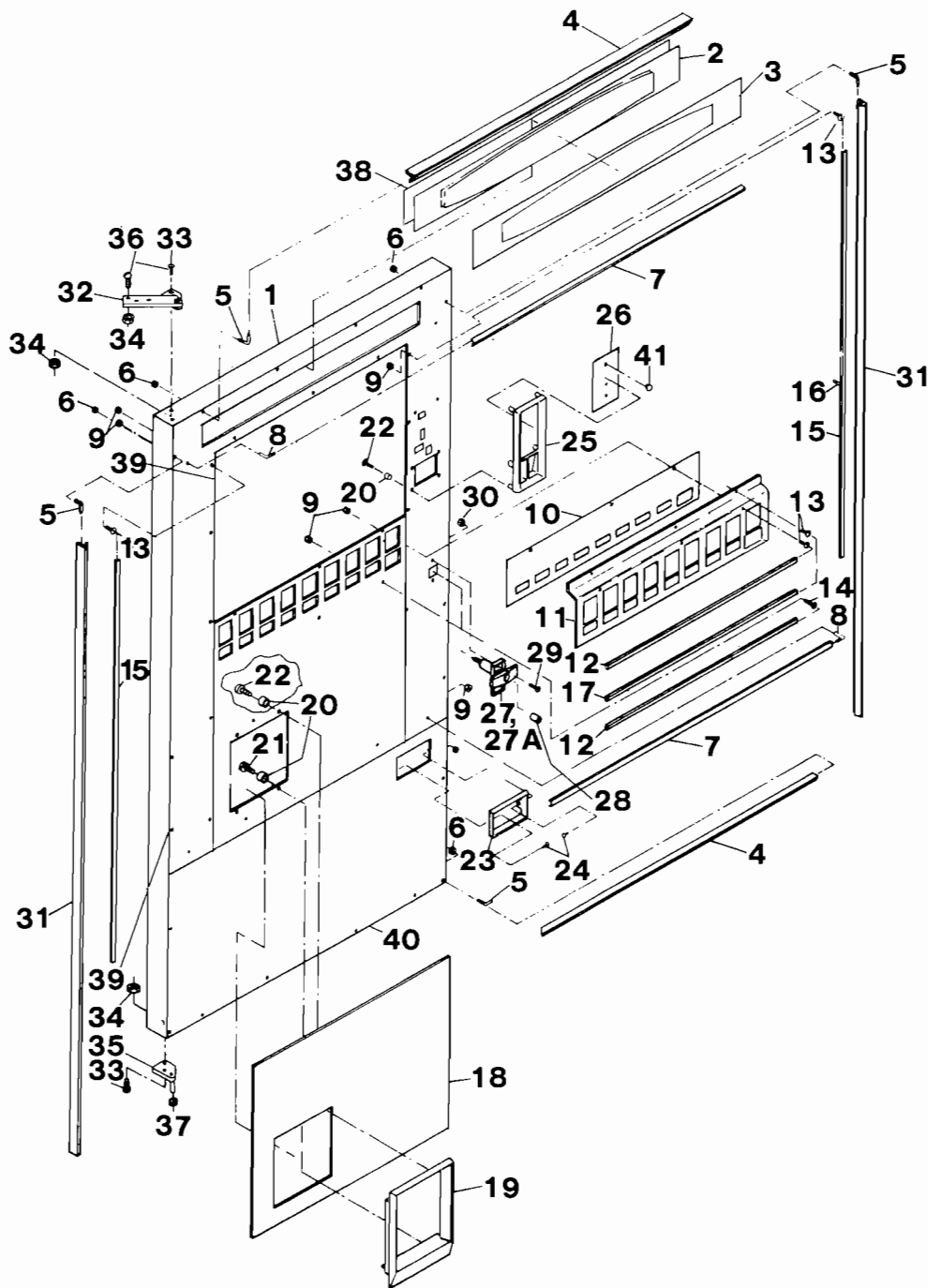
850 AWARD FLAT EXTERIOR DOOR COMPLETE — A26512

1. Door Only, Welded	A26493	23. Screw, #8-3/8 H.H., Type "F"	P14806
2. Trim, Top	P18937	24. Ferrule	P19563
3. Vinyl, Top, Insert, Rowswood	P23809	25. Vinyl, Door Bottom, Rowswood	P18799
4. Screw, #6-32 x 3/8 P.H.M.	P16492	26. Lock, Screw Type with Item 27.	A19261
5. Nut, Kep, #6-32	P11745	26A. Lock, Screw Type, Less Item 27	P23397
6. Artwork	P25209	27. Cylinder, Lock, with RY-2 Key	P23010
7. Panel, Back	P26492	28. Screw, #10-32 x 3/4 FHM.	P18448
8. Panel, with Artwork	A26501	29. Nut, Kep, #10-32.	P11750
9. Trim Top/Lhd/Btm-Artwork-Black.	P18475	30. Bezel, Coin Return	P17909
10. Screw, #8-32x½ BHMS	P22995	31. Rivet, Pop, 5/32 dia. x 5/16 long	P16749
11. Nut, Kep, #8-32	P11749	32. Bezel, Cupwell.	P17906
12. Trim Rhd Side-Artwork-Black.	P20836	33. Screw, #8 x 5/16 P.H., Type 'F'	P25795
13. Panel, Selector, Cover & Guide	P25607	34. Trim, Vertical, L&R	P18647
14. Panel, Selector.	P25599	35. Cap, Vinyl, Trim	P18876
15. Trim, Bottom, Artwork	P26470	36. Cap, End	P18965
16. Screw, #8-32 x 1¼ BHM.	P22996	37. Lens, Indicator - Red	P27934
17. Panel, Center	P26284	38. Hinge, Top.	A24605
18. Trim, Center.	P18673	39. Screw, ¼-20 x 5/8 HSFHM	P22181
19. Screw, Weld, #6-32x½	P14832	40. Nut, Kep, ¼-20	P12518
20. Panel, Upper R.H.	P24133	41. Screw, ¼-20 x 5/8 STHM (Attach Hinge to Cabinet)	P24750
21. Label, Instruction.	P18645	42. Hinge, Bottom.	A18159
22. Bezel, Coin Insert & Reject	P17907	43. Washer, Flat	P27813



850 AWARD SHADOW BOX EXTERIOR DOOR COMPLETE — A26513

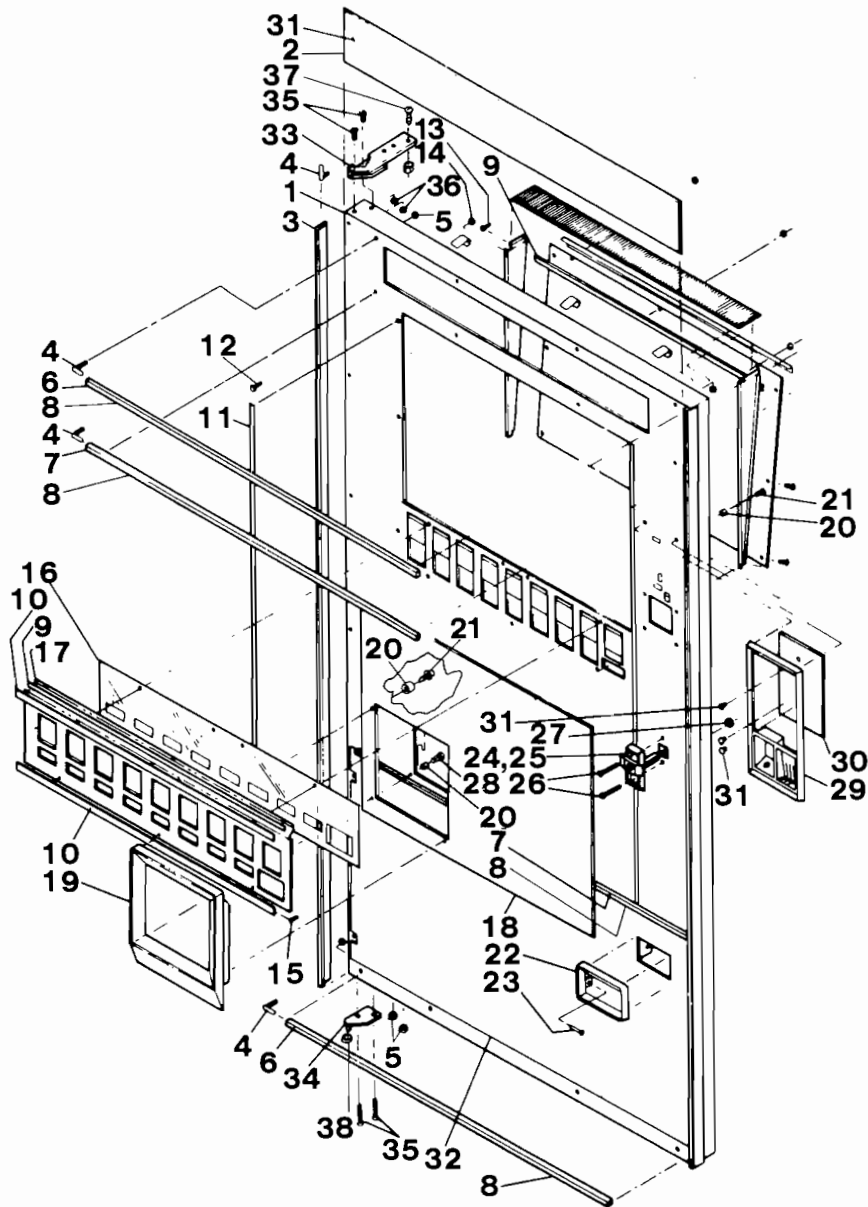
1. Door Only, Welded	A26493	26. Nut, Kep, #10-32.	P11750
2. Trim, Top	P18937	27. Bezel, Coin Return	P17909
3. Vinyl, Top, Insert, Rowswood	P23809	28. Rivet, Pop, 5/32 Dia. x 5/16 Long	P16749
4. Screw, #6-32 x 3/8 P.H.M.	P16492	29. Bezel, Cupwell.	P17906
5. Nut, Kep, #6-32	P11745	30. Screw, #8 x 5/16 P.H., Type "F".	P25795
6. Trim Top/Lhd/Btm-Artwork-Black	P18475	31. Trim, Vertical, L&R	P18647
7. Screw, #8-32 x 1/2 B.H.M.	P22995	32. Cap, Vinyl, Trim	P18876
8. Nut, Kep, #8-32	P11749	33. Cap, End	P18965
9. Trim Rhd Side-Artwork-Black	P20836	34. Lens, Indicator, Red	P27934
10. Panel, Selector, Cover & Guide	P25607	35. Hinge, Top.	A24605
11. Panel, Selector.	P25599	36. Screw, 1/4-20 x 5/8 H.S.F.H.M.	P22181
12. Trim, Bottom Artwork	P26470	37. Nut, Kep, 1/4-20	P12518
13. Screw, #8-32 x 1-1/4 B.H.M.	P22996	38. Screw, 1/4-20 x 5/8 S.T.H.M.	P24750
14. Panel, Center	P26284	39. Hinge, Bottom.	A18159
15. Trim, Center.	P18673	40. Washer, Flat	P27813
16. Screw, Weld, #6-32 x 1/2	P14832	41. Retainer, Glass, Bottom	P26147
17. Panel, Upper R.H.	P24133	42. Glass	P26392
18. Label, Instruction	P18645	43. Retainer, Glass, Sides.	P26398
19. Bezel, Coin Insert & Reject	P17907	44. Shadow Box	A26181
20. Screw, #8 x 3/8 H.H., Type "F"	P14806	45. Artwork	P26241
21. Ferrule	P19563	46. Diffuser	P26186
22. Vinyl, Door Bottom, Rowswood	P18799	47. Washer, Flat	P17530
23. Lock, Screw Type with Item 24.	A19261	48. Panel, Bottom	P26210
23A. Lock, Screw Type Less Item 24.	P23397	49. Nut, Knurled, #8-32	P05625
24. Cylinder, Lock, with RY-2 Key	P23010	50. Shadow Box Asm, w/Artwork (Incl. #8 & 44-49).	A26244
25. Screw, #10x3/4 F.H.M.	P18448	51. Extrusion, Black Vinyl for Glass (Not Shown)	P28160



850 CROWN SHADOW BOX EXTERIOR DOOR COMPLETE – A25205

1. Door Only, Welded	A26486	23. Bezel, Coin Return	P17909
2. Insert, Hot Coffee.	P18040	24. Rivet, Pop, 5/32 dia. x 5/16 long	P16749
3. Panel, Overlay.	P18498	25. Bezel, Coin Insert & Reject	P17907
4. Trim, Top & Bottom	P17903	26. Label, Instructions	P18672
5. Screw, Weld, #6-32 x 1/2	P14832	27. Lock, Screw Type, Less Item 28	P23397
6. Nut, Kep, #6-32	P11745	27A. Lock, Screw Type, with Item 28	P19261
7. Trim, Middle, Top & Bottom	P18502	28. Cylinder, Lock, with RY-2 Key	P23010
8. Screw, Weld, #8-32x1/2	P16709	29. Screw, #10-32 x 1/4 FHM	P18448
9. Nut, Kep #8-32.	P11749	30. Nut, Kep, #10-32.	P11750
10. Panel, Selector, Cover & Guide	P21808	31. Trim, Vertical, L&R	P17902
11. Panel, Selector.	P21546	32. Hinge, Top.	A24605
12. Trim, 3/8 Center	P18887	33. Screw, 1/4-20 x 5/8 HSFHM	P22181
13. Screw, #8-32 x 1/2 BHM.	P22995	34. Nut, Kep, 1/4-20	P12518
14. Screw, #8-32 x 1 1/4 BHM.	P22996	35. Hinge, Bottom.	A18159
15. Trim, Vertical, L&R	P22937	36. Screw, 1/4-20 x 5/8 STHM (Attach. Hinge to Cabinet)	P24750
16. Screw, #8-32 x 1/4 BHM	P22994	37. Washer, Flat, I.D.	P27813
17. Trim, 3/8 Shadow Box	P22017	38. (Between Bot. door Hinge & Cabinet)	
18. Panel, Cupwell.	P22980	38. Film	P23606
19. Bezel, Cupwell.	P17906	39. Vinyl, Door Side, Presidential Walnut	P20285
20. Ferrule	P19563	40. Vinyl, Door Bottom, Presidential Walnut	P20284
21. Screw, #8 x 5/16 P.H., Type "F"	P25795	41. Lens, Indicator, Red	P27934
22. Screw, #8 x 3/8 H.H., Type "F"	P14806		

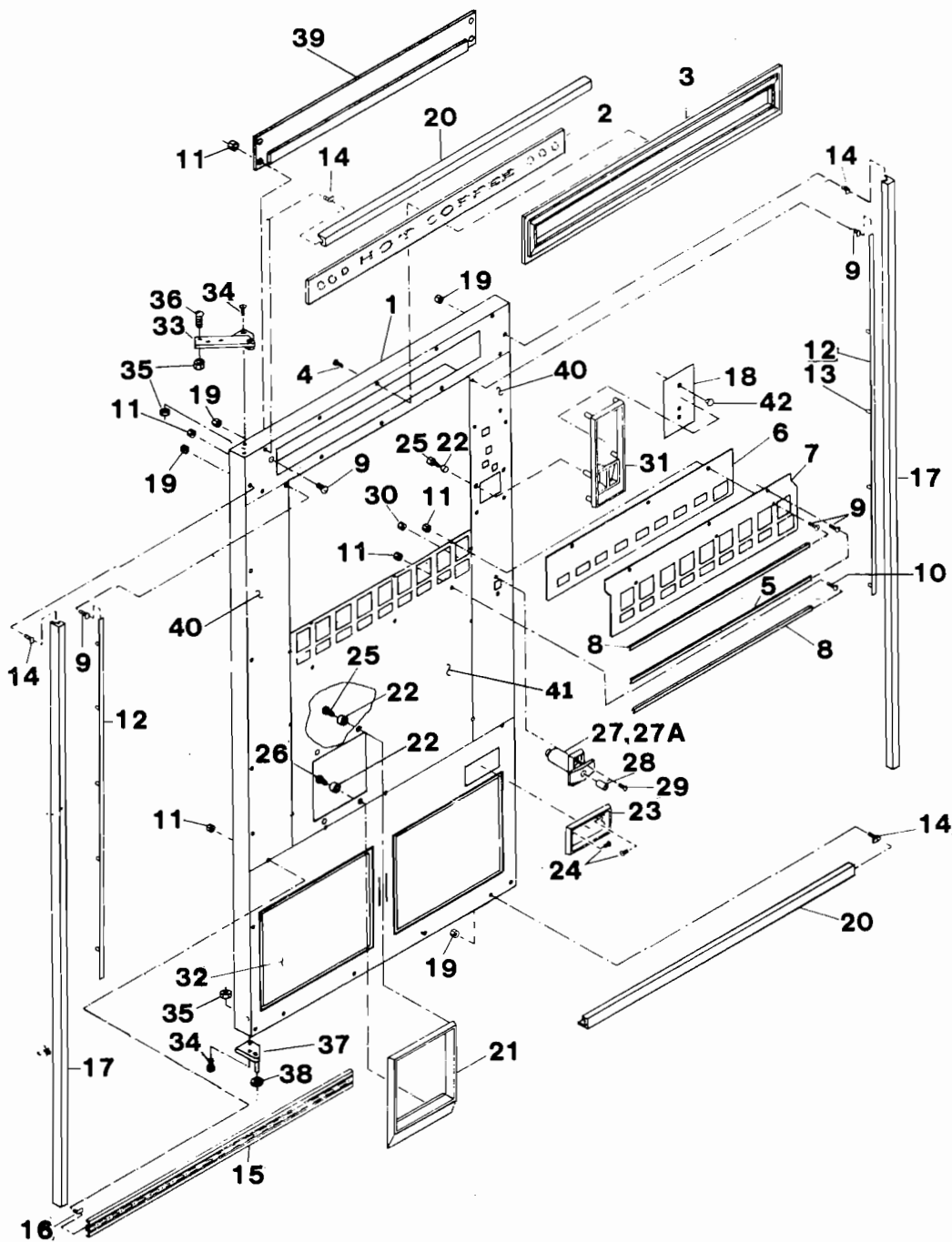
Artwork - Refer to Manual Page 2.04



850 DESIGNER SERIES SHADOW BOX EXTERIOR DOOR COMPLETE
A26510 – Complete Door Except Color Panels

1. Door Only, Welded	A26486	21. Screw, #8 x 3/8 H.H., Type F	P14806
2. Panel, Door, Top, Blue	P25729	22. Bezel, Coin Return	P17909
2A. Panel, Door, Top, Green	P25728	23. Rivet, Pop, 5/32 Dia. x 5/16 Long	P16749
2B. Panel, Door, Top, Yellow	P25727	24. Lock, Screw Type, Less Item 25	P23397
3. Trim, Vertical, L&R	P22790	25A. Lock, Screw Type, with Item 25	A19261
4. Screw, Weld, #6-32 x 1/2	P14832	25. Cylinder, Lock, with RY-2 Key	P23010
5. Nut, Kep, #6-32	P11745	26. Screw #10-32 x 3/4 FHM	P18448
6. Trim Asm, Top & Bottom	A23633	27. Nut, Kep, #10-32	P11750
7. Trim Asm, Center	A23634	28. Screw, #8 x 5/16 P.H., Type F	P25795
8. Tape, Vinyl, Black	P18447	29. Bezel, Coin Insert & Reject	P17907
9. Trim, 3/8, Top & Bottom Artwork	P22017	30. Label, Instructions	P23004
10. Trim, 3/8, Horizontal	P18887	31. Lens, Indicator – Red	P27934
11. Trim, 3/8, Vertical, L&R	P22969	32. Panel, Bottom, Blue	P25735
12. Screw, #8-32 x 1/2 BHM	P22995	32A. Panel, Bottom, Green	P25734
13. Screw, #8-32 x 1/4 BHM	P22994	32B. Panel, Bottom, Yellow	P25733
14. Nut, Kep, #8-32	P11749	33. Hinge, Top	A24605
15. Screw, #8-32 x 1 1/4 BHM	P22996	34. Hinge, Bottom	A18159
16. Panel, Selector, Cover & Guide	P21808	35. Screw, 1/4-20 x 5/8 FHSM	P22181
17. Panel, Selector	P21546	36. Nut, Kep, 1/4-20	P12518
18. Panel, Cupwell	P22980	37. Screw, 1/4-20 x 5/8 STHM	P24750
19. Bezel, Cupwell	P17906	38. Washer, Flat, I.D.	P27813
20. Ferrule	P19563		

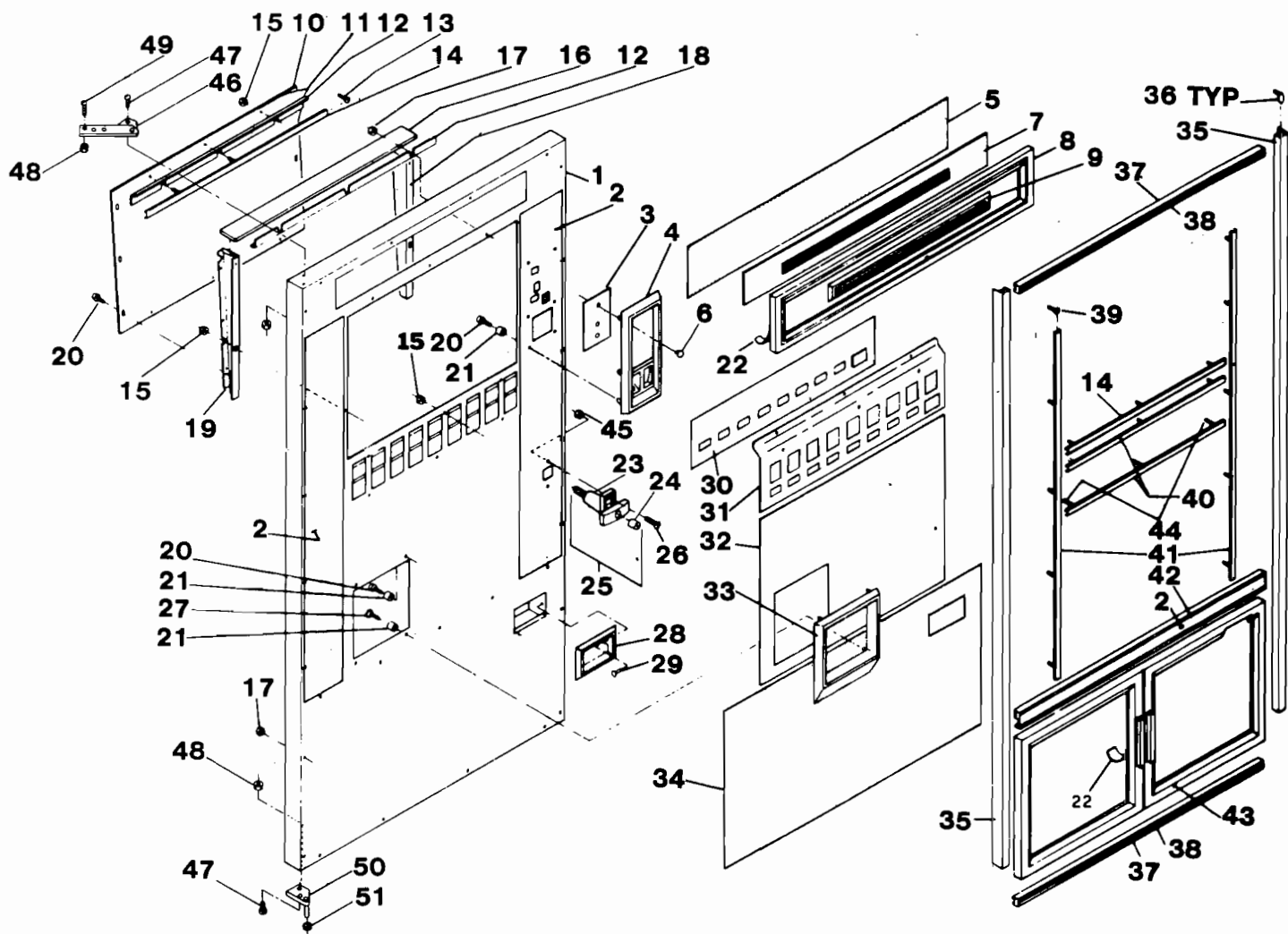
Artwork – Refer to Manual Page 2.04



850 FURNITURE SHADOW BOX EXTERIOR DOOR COMPLETE – A25206

1. Door Only, Welded	A26486	23. Bezel, Coin Return	P17909
2. Insert, Hot Coffee	P18488	24. Rivet, Pop, 5/32 dia. x 5/16 long	P16749
3. Trim, Frame Sign	P18429	25. Screw, #8 x 3/8 H.H., Type "F"	P14806
4. Screw, #8 x 1/2 P.H., Type "A"	P20676	26. Screw, #8 x 5/16 P.H., Type "F"	P25795
5. Trim, 3/8 Shadow Box	P22017	27. Lock, Screw Type, with Item 28	P19261
6. Panel, Selector, Cover & Guide	P21808	27A. Lock, Screw Type, Less Item 28	P23397
7. Panel, Selector	P21546	28. Cylinder, Lock, with RY-2 Key	P23010
8. Trim, 3/8 Center	P18887	29. Screw, #10-32 x 3/4 FHM	P18448
9. Screw, #8-32 x 1/2 BHMS	P22995	30. Nut, Kep, #10-32	P11750
10. Screw, #8-32 x 1 1/4 BHMS	P22996	31. Bezel, Coin Insert & Reject	P17907
11. Nut, Kep, #8-32	P11749	32. Panel Asm, Bottom, Silkscreened	A22979
12. Trim, 3/8 Vert, L&R	P22969	33. Hinge, Top	A24605
13. Screw, #8-32 x 1/4 BHM	P22994	34. Screw, 1/4-20 x 5/8 HSFHM	P22181
14. Screw, Weld, #6-32 x 1/2	P14832	35. Nut, Kep, 1/4-20	P12518
15. Trim, Center	A22034	36. Screw, 1/4-20 x 5/8 STHM (attach Hinge to Cabinet)	P24750
16. Screw, Weld, #8-32 x 1/2	P16709	37. Hinge, Bottom	A18159
17. Trim, Vertical, L&R	P18317	38. Washer, Flat	P27813
18. Label, Instruction	P18671	39. Plate, Backing	A18487
19. Nut, Kep, #6-32	P11745	40. Vinyl, Door Side, Presidential Wal	P18797
20. Trim, Top & Bottom	P18318	41. Vinyl, Door, Cupwell Area, Presidential Wal.	P18800
21. Bezel, Cupwell	P17906	42. Lens, Indicator – Red	P27934
22. Ferrule	P19563		

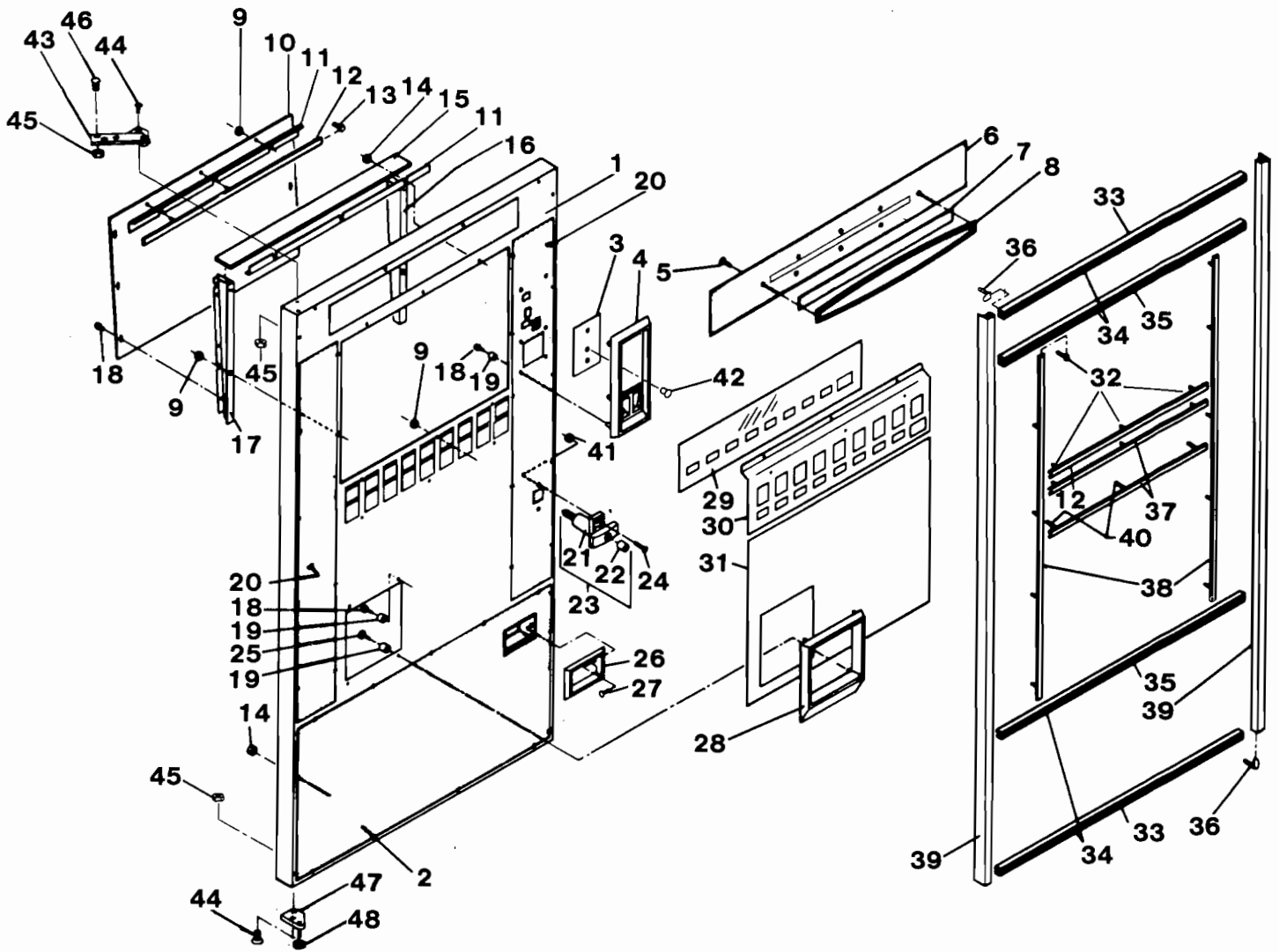
Artwork – Refer to Manual Page 2.04



850 GOLDEN II SHADOW BOX EXTERIOR DOOR COMPLETE – A26509

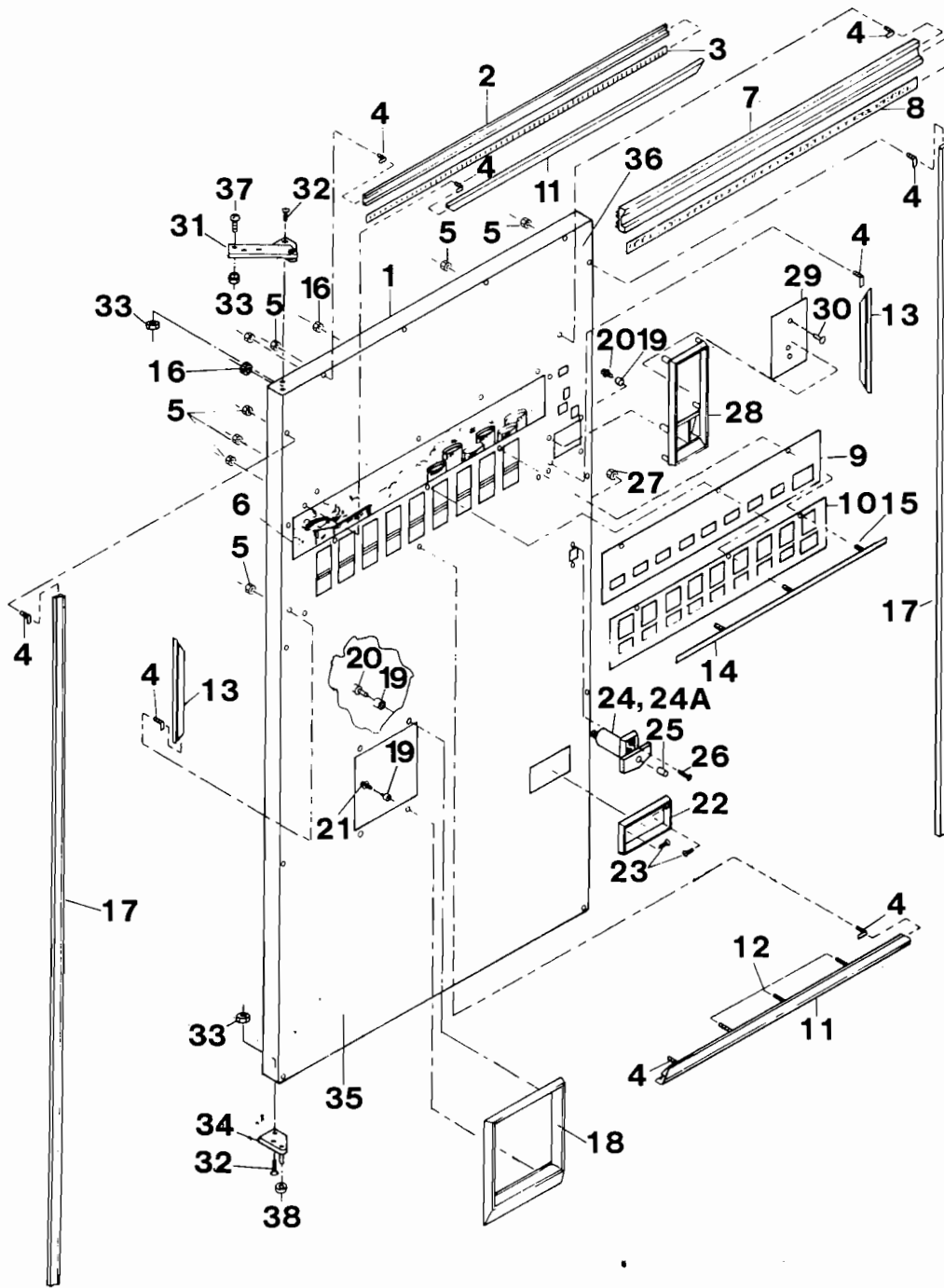
1. Door Only, Welded	A26486	26. Screw, #10-32 x 3/4 FHM.	P18448
2. Vinyl, Sides, Presidential Walnut	P18797	27. Screw, #8 x 5/16 P.H., Type "F".	P25795
3. Label, Instruction.	P23004	28. Bezel, Coin Return	P17909
4. Bezel, Coin Insert & Reject	P17907	29. Rivet, Pop, 5/32 dia. x 5/16 long	P16749
5. Panel, Top, with Canen Weave Vinyl	A23196	30. Panel, Selector, Cover & Guide	P21808
6. Lens, Indicator – Red	P27934	31. Panel, Selector.	P21546
7. Panel, Plexiglass	A23194	32. Panel, Cupwell.	P22980
8. Frame, Door Trim, Inner	P23835	33. Bezel, Cupwell.	P17906
9. Frame, Door Trim, Inner.	P23609	34. Panel, Bottom, with Canen Vinyl.	A24012
10. Panel, Back, with Artwork.	A23475	35. Trim, Vertical, L&R	P22791
10A Panel, Back	A22007	36. Screw, Weld, #6-32 x 1/2	P14832
11. Artwork	P23005	37. Trim, Top & Bottom	A23610
12. Clamp, Diffuser	P22020	38. Tape, Vinyl, Black (Not Sold by Spare Parts)	P18447
13. Screw, #8-32 x 1/4 BHM	P22994	39. Screw, #8-32 x 1/4 BHM	P22995
14. Trim, 3/8, Top & Bottom Artwork	P22017	40. Trim, 3/8, Center	P18887
15. Nut, Kep, #8-32	P11749	41. Trim, 3/8, L&R	P22969
16. Diffuser, Shadow Box	P22019	42. Trim, Center, with Presidential Walnut Vinyl	A23191
17. Nut, Kep, #6-32	P11745	43. Frame, Door Trim, Bottom	P23837
18. Jamb, Shadow Box, L.H.	P22013	44. Screw, #8-32 x 1 1/4 BHMS	A22996
19. Jamb, Shadow Box, R.H.	P22011	45. Nut, Kep, #10-32.	P11750
20. Screw, #8x3/8 H.H., Type "F".	P14806	46. Hinge, Top	A24605
21. Ferrule	P19563	47. Screw, 1/4-20x5/8 HSFHM	P22181
22. Tape, Double Sided.	-	48. Nut, Kep, 1/4-20	P12518
23. Lock, Screw Type, Less Item 24	P23397	49. Screw, 1/4-20x5/8 STHM (Attach. Hinge to Cabinet)	P24750
24. Cylinder, Lock, with RY-2 Key	P23010	50. Hinge, Bottom	A18159
25. Lock, Screw Type, with Item 24	A19261	51. Washer, Flat, I.D. (between Bot. Door Hinge & Cabinet)	P27813

Artwork – Refer to Manual Page 2.04



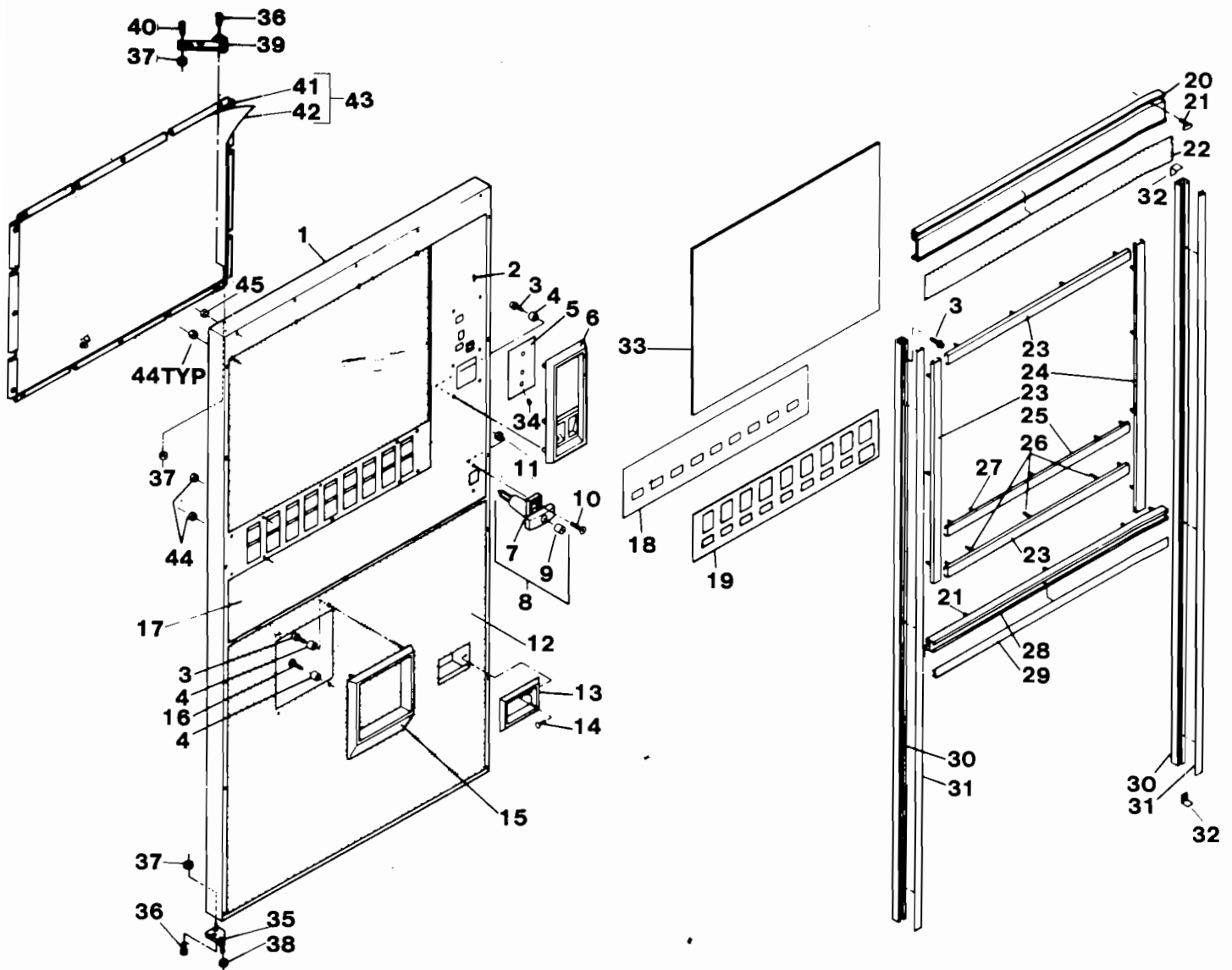
850 IMPERIAL CROWN SHADOW BOX EXTERIOR DOOR COMPLETE A26506

1. Door Only, Welded	A26486	24. Screw, # 10-32 x 3/4 FHM	P18448
2. Vinyl, Door Bottom, Presidential Walnut	P20284	25. Screw, #8 x 5/16 P.H., Type "F"	P25795
3. Label, Instruction	P23004	26. Bezel, Coin Return	P17909
4. Bezel, Coin Insert & Reject	P17907	27. Rivet, Pop, 5/32 dia. x 5/16 Long	P16749
5. Screw, #8-3/8 Phillips, P.H., Plastite	P21900	28. Bezel, Cupwell	P17906
6. Panel, Top, with Presidential Walnut Vinyl	A22982	29. Panel, Selector, Cover & Guide	P21808
7. Insert, Window, Top	A22793	30. Panel, Selector	P21546
8. Trim, Frame, Top	P22780	31. Panel, Cupwell	P22980
9. Nut, Kep, #8-32	P11749	32. Screw, #8-32x1/2 BHM	P22995
10. Panel, Back, with Artwork	A23475	33. Trim ASM., Top & Bottom	A23633
10A Panel, Back	A22007	34. Tape, Vinyl, Black (Not Sold by Spare Parts)	P18447
10B Artwork	P23005	35. Trim ASM., Center	A23634
11. Clamp, Diffuser	P22020	36. Screw, Weld, #6-32x1/2	P14832
12. Trim, 3/8, Top & Bottom Artwork	P22017	37. Trim, 3/8, Horizontal	P18887
13. Screw, #8-32x1/2 BHM	P22994	38. Trim, 3/8, Sides	P22969
14. Nut, Kep, #6-32	P11745	39. Trim, Door, Sides	P22790
15. Diffuser, Shadow Box	P22019	40. Screw, #8-32x1 1/4 BHM	P22996
16. Jamb, Shadow Box, Left Hand	P22013	41. Nut, Kep, #10-32	P11750
17. Jamb, Shadow Box, Right Hand	P22011	42. Lens, Indicator - Red	P27934
18. Screw, #8x3/8 H.H., Type "F"	P14806	43. Hinge, Top	A24605
19. Ferrule	P19563	44. Screw, 1/4-20 x 5/8 HSFHM	P22181
20. Vinyl, Door Sides, Port Au Prince	P22796	45. Nut, Kep, 1/4-20	P12518
21. Lock, Screw Type, Less Item 22	P23397	46. Screw, 1/4-20 x 5/8 STHM (attach Hinge to Cabinet)	P24750
22. Cylinder, Lock, with RY-2 Key	P23010	47. Hinge, Bottom	A18159
23. Lock, Screw Type, with Item 22	A19261	48. Washer, Flat	P27813



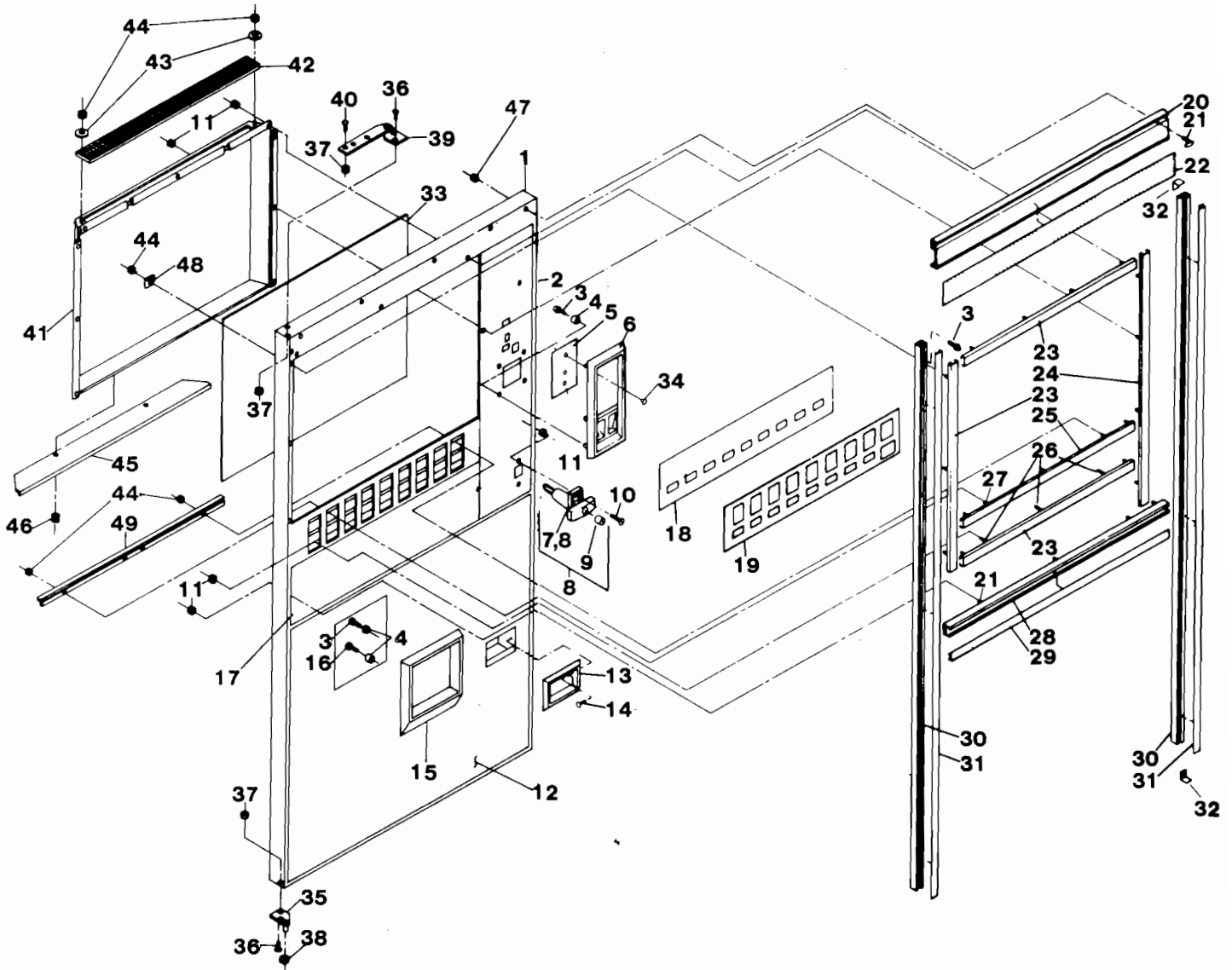
850 VERSATILE EXTERIOR DOOR COMPLETE — A26146

1. Door Only, Welded	A26410	21. Screw, #8 x 5/16 P.H., Type "F"n.	P25795
2. Trim, Top	P18431	22. Bezel, Coin Return	P17909
3. Insert, Top, Trim	P18947	23. Rivet, Pop, 5/32 dia x 5/16 long	P16749
4. Screw, Weld, #6-32 x 1/2	P14832	24. Lock, Screw Type, with Item 25	A19261
5. Nut, Kep, #6-32	P11745	24A Lock, Screw Type, Less Item 25	P23397
6. Artwork	P18441	25. Cylinder, Lock, with RY-2 Key	P23010
7. Trim, Center, Horizontal.	P18432	26. Screw, #10-32 x 3/4 FHM.	P18448
8. Insert, Center	P20221	27. Nut, Kep, #10-32.	P11750
9. Panel, Selector, Cover & Guide	P21808	28. Bezel, Coin Insert & Reject	P17907
10. Panel, Selector.	P21612	29. Label, Instructions	P18670
11. Trim, Artwork, Top & Bottom	P18436	30. Lens, Indicator — Red	P27934
12. Screw, Weld, #6-32 x 1	P19516	31. Hinge, Top.	A24605
13. Trim, Artwork, Vertical, L&R.	P18438	32. Screw, 1/4-20 x 5/8 HSFHM	P22181
14. Trim, 3/8 Center	P18459	33. Nut, Kep, 1/4-20	P12518
15. Screw, #8-32 x 1/2 BHM	P22995	34. Hinge, Bottom.	A18159
16. Nut, Kep, #8-32	P11749	35. Vinyl, Door, Bottom, Teak	P18795
17. Trim, Vertical L&R.	P18444	36. Vinyl, Door, Top, Teak	P18794
18. Bezel, Cupwell.	P17906	37. Screw, 1/4-20x5/8 STHM (attach. Hinge to Cabinet)	P24750
19. Ferrule	P19563	38. Washer, Flat	P27813
20. Screw, #8 x 3/8 H.H., Type "F"	P14806		



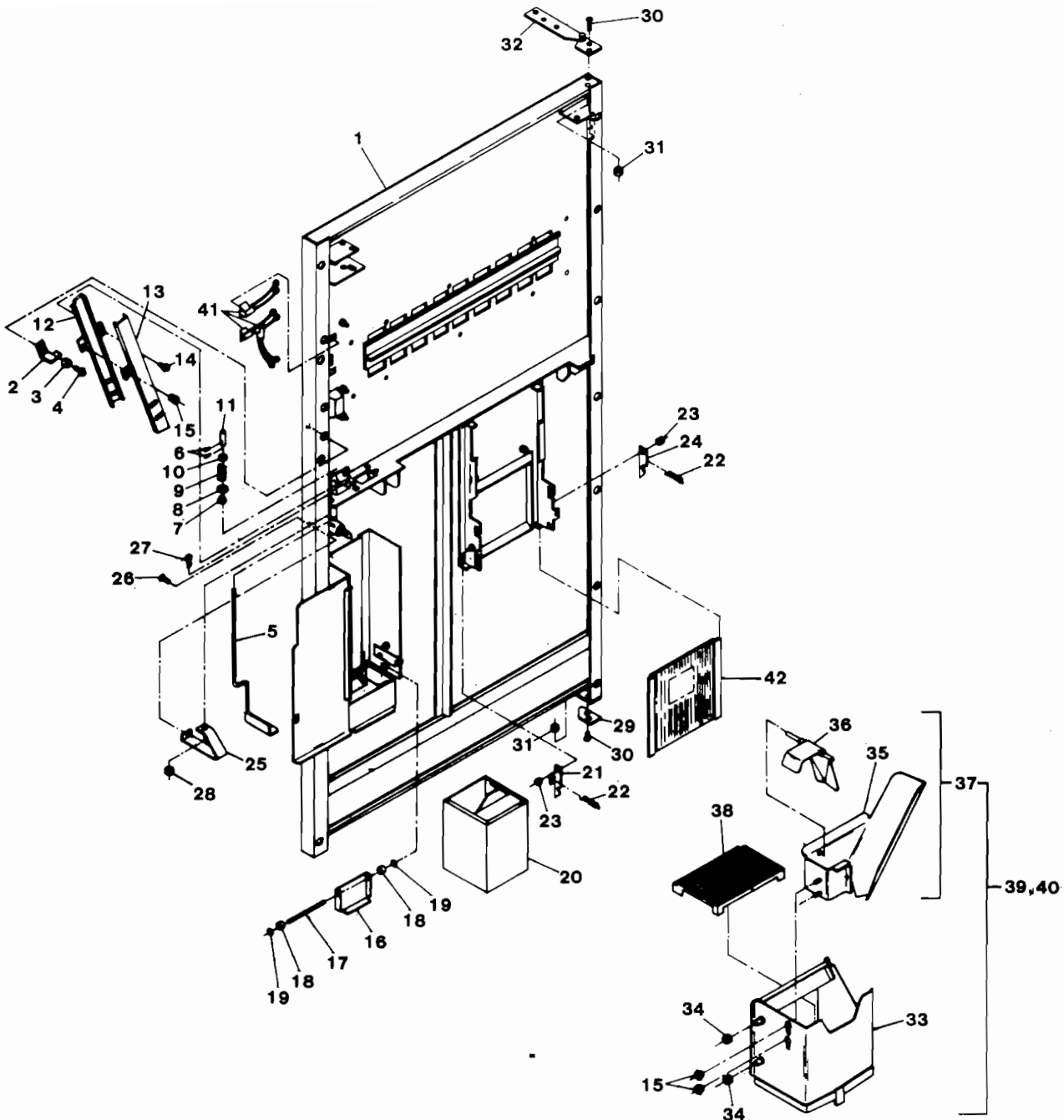
850 WHEATSTONE FLAT EXTERIOR DOOR COMPLETE — A26504

1. Door Only, Welded	A26493	24. Trim, R. Side	P20836
2. Vinyl, Side, R.H., Bronze	P21970	25. Trim, Bottom Artwork	P26470
3. Screw #8 x 3/8 H.H., Type "F"	P14806	26. Screw, #8-32 x 1 1/4 BHM	P22996
4. Ferrule	P19563	27. Screw, #8-32 x 1/2 BHM	P22995
5. Label, Instruction	P18671	28. Trim, Center	P21976
6. Bezel, Coin Insert & Reject	P17907	29. Cap, Vinyl, Center	P21977
7. Lock, Screw Type, Less Item 9	P23397	30. Trim, Door Side	P21979
8. Lock, Screw Type, with Item 9	A19261	31. Cap, Vinyl, Center	P21978
9. Cylinder, Lock, with RY-2 Key	P23010	32. Cap, End	P18965
10. Screw, #10-32 x 3/4 FHM	P18448	33. Glass, Hot Drinks	P23814
11. Nut, Kep, #10-32	P11750	34. Lens, Indicator - Red	P27934
12. Vinyl, Bottom, Golden Leather	P21972	35. Hinge, Bottom	A18159
13. Bezel, Coin Return	P17909	36. Screw, #10-20 x 5/8 HSFHM	P22181
14. Rivet, Pop, 5/32 P.H., Type "F"	P16749	37. Nut, #10-20 Kep	P12518
15. Bezel, Cupwell	P17906	38. Washer, Flat	P27813
16. Screw, #8 x 5/16 P.H., Type "F"	P25795	39. Hinge, Top	A24605
17. Vinyl, Door Center, Bronze	P21971	40. Screw, #10-20 x 5/8 STHM (attach Hinge to Cabinet)	P24750
18. Panel, Selector, Cover & Guide	P25607	41. Panel, Back	P26492
19. Panel, Selector	A26179	42. Artwork, Vinyl, Golden Leather	P26500
20. Trim, Top	P21973	43. Panel, Back, with Artwork	A26502
21. Screw, Weld, #6-32 x 3/8	P16492	44. Nut, Kep, #8-32	P11749
22. Insert, Top, Golden Leather	P21600	45. Nut, Kep, #6-32	P11745
23. Trim, Top & L. Side	P18475		



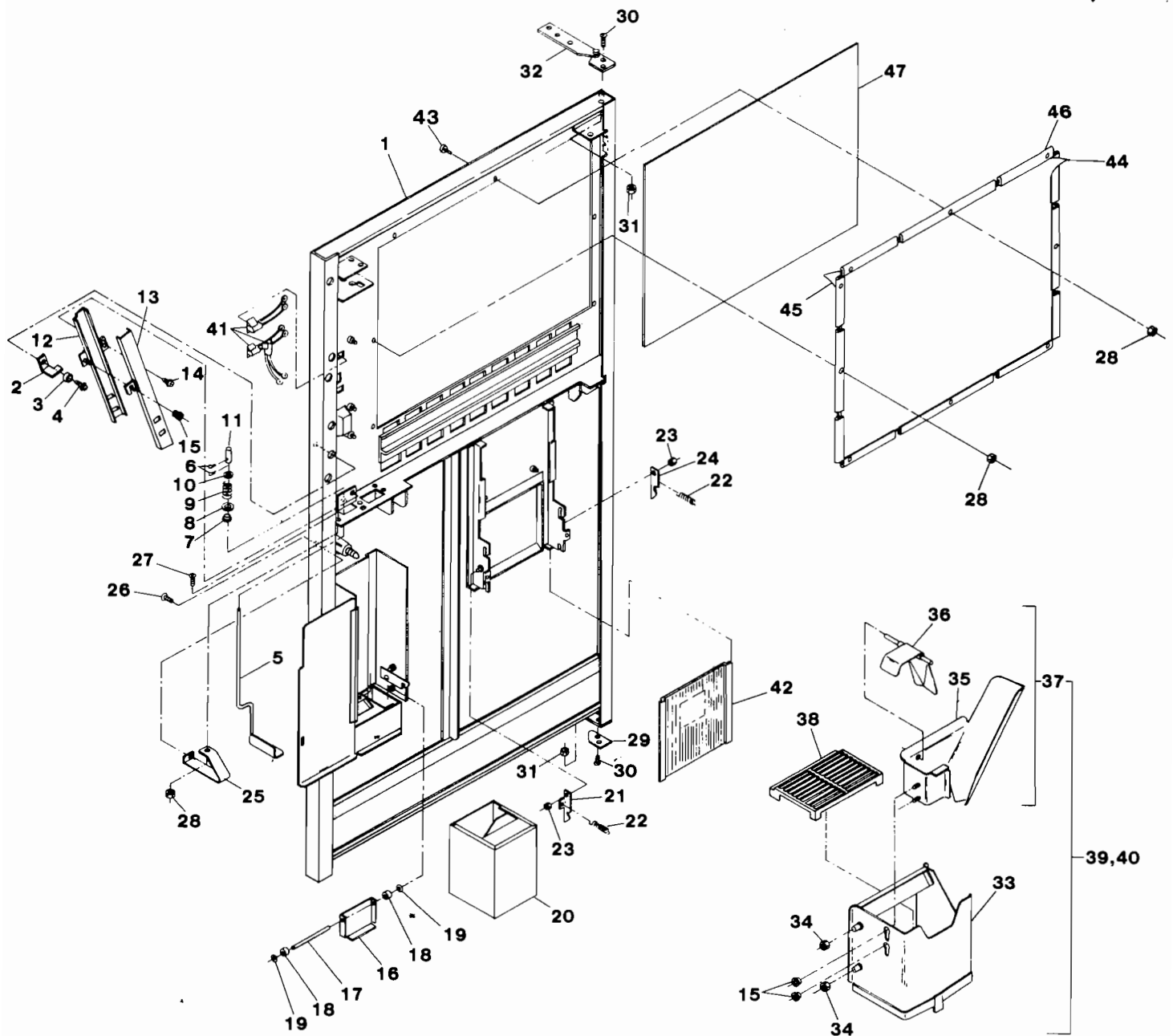
850 WHEATSTONE SHADOW BOX EXTERIOR DOOR COMPLETE — A26513

1. Door Only, Welded	A26493	26. Screw, #8-32 x 1 1/4 BHM.	P22996
2. Vinyl, Side, R.H. Bronze.	P21970	27. Screw, #8-32 x 1/2 BHM	P22995
3. Screw, #8 x 3/8 H.H., Type "F"	P14806	28. Trim, Center	P21976
4. Ferrule	P19563	29. Cap, Vinyl, Center	P21977
5. Label, Instructions	P18671	30. Trim, Door Side	P21979
6. Bezel, Coin Insert & Reject	P17907	31. Cap, Vinyl, Vertical.	P21978
7. Lock Screw Type, Less Item 9	P23397	32. Cap, End	P18965
8. Lock, Screw Type, with Item 9	A19261	33. Glass	P23814
9. Cylinder, Lock, with RY-2 Key	P23010	34. Lens, Indicator — Red	P27934
10. Screw, #10-32 x 3/4 FHM.	P18448	35. Hinge, Bottom	A18159
11. Nut, Kep #10-32	P11750	36. Screw, 1/4-20 x 5/8 HSFHM	P22181
12. Vinyl, Bottom, Golden Leather	P21972	37. Nut, Kep 1/4-20.	P12518
13. Bezel, Coin Return	P17909	38. Washer, Flat	P27813
14. Rivet, Pop 5/32 Dia. x 5/16 Long.	P25795	39. Hinge, Top.	A24605
15. Bezel, Cupwell.	P17906	40. Screw, 1/4-20 x 5/8 STHM (Attach. Hinge to Cabinet)	P24750
16. Screw, #8 x 5/16 P.H., Type "F"	P25795	41. Shadow Box with Golden Leather	A26242
17. Vinyl, Door Center, Bronze	P21971	42. Diffuser	P26186
18. Panel, Selector, Cover & Guide	P25607	43. Washer, Flat	P17530
19. Panel, Selector.	A26179	44. Nut, Kep, #8-32	P11749
20. Trim, Top	P21973	45. Panel, Bottom	P26185
21. Screw, Weld, #6-32 x 3/8	P16492	46. Nut, Knurled, #8-32	P05625
22. Insert, Top, Golden Leather	P21600	47. Nut, Kep, #6-32	P11749
23. Trim, Top & L. Side	P18475	48. Retainer, Glass, Sides.	P26398
24. Trim, R. Side	P20836	49. Retainer, Glass, Bottom	P26147
25. Trim, Bottom Artwork.	P26470	50. Extrusion, Black Vinyl for Glass (Not Shown)	P28160



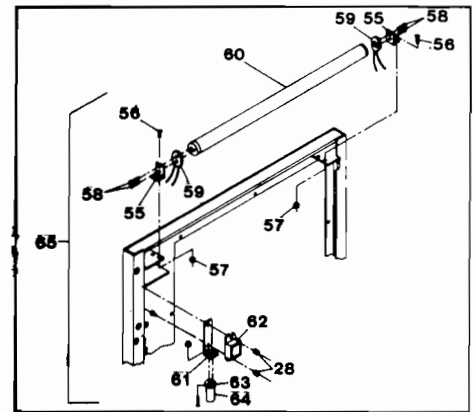
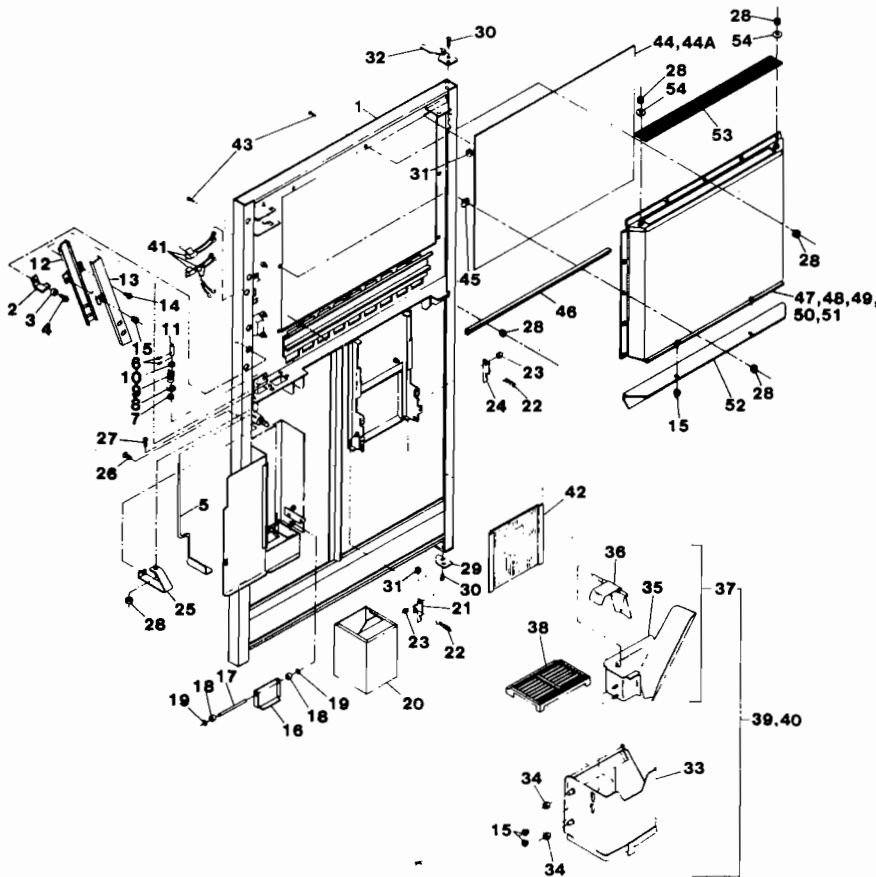
850 INTERIOR DOOR, VENDURA & ARA

1. Door Only, Welded	A26410	21. Catch, R.H.	P08805
2. Bracket, Retaining, Coin Chute	P19945	22. Spring, Tension	P09023
3. Ferrule	P19563	23. Nut, Pal, 1/4	P05682
4. Screw, #8 x 3/8 H.H., Type "F"	P14806	24. Catch, L.H.	P08804
5. Rod, Reject	A23446	25. Bracket, Lock Locator	P26860
6. Pin, Cotter	P16288	26. Screw, #10-32 x 3/4, FHM	P18448
7. Nyliner	P14412	27. Screw, #8-32 x 3/8, PHM	P11073
8. Washer, Flat, 5/16 I.D. x 7/8 O.D.	P10229	28. Nut, Kep, #8-32	P11749
9. Spring, Compression	P16159	29. Hinge, Bottom.	A18159
10. Washer, Flat, 17/64 I.D. x 9/16 O.D.	P21916	30. Screw, 1/4-20 x 5/8 FSHM	P22181
11. Top, Reject Rod	P19022	31. Nut, Kep, 1/4-20	P12518
12. Chute Asm, Coin	A23450	32. Hinge, Top.	A24605
13. Cover Asm, Coin Chute	A23448	33. Cupwell (Incl. Item 34)	A18740
13A Coin Chute & Cover Asm (Not Shown)	A23451	34. Nut, Pal, 1/4	P18443
(Includes Items 12, 13 & 15)		35. Chute, Cup.	A16931
14. Screw, #8-32 x 1/2, PHM	P11073	36. Retarder Asm, Cup Chute	A12436
15. Nut, Knurled, #8-32n	P05625	37. Cup Chute & Retarder	A23105
16. Door, Coin Return	P18552	38. Grill, Cupwell	P19773
17. Wire, Coin Return Well Door	P20302	39. Assembly, Cupwell & Chute	A19359
18. Spacer, Door.	P14132	40. Assembly, Cupwell, Chute & Grill	A19360
19. Retainer	P21127	41. Lamp & Indicator Lens - Red	P14531
20. Box Asm, Coin (from mid - 5/81)	A27526	42. Door, Cupwell	P19290



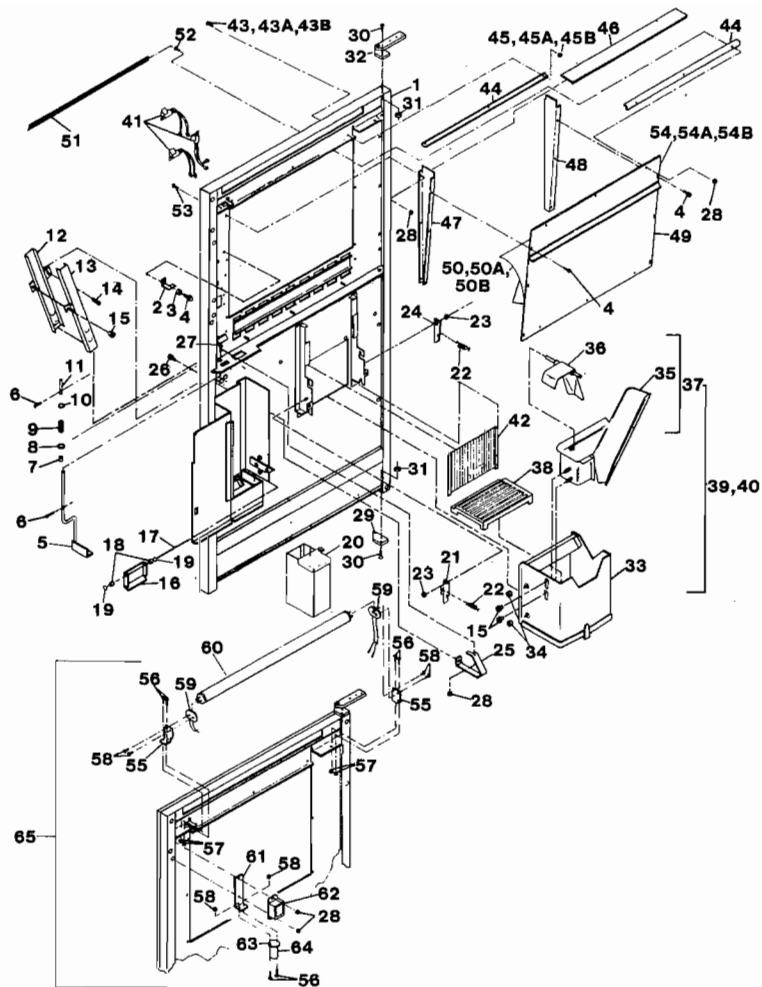
850 INTERIOR DOOR, AWARD & WHEATSTONE FLAT

1. Door Only, Welded	A26493	24. Catch, L.H.	P08804
2. Bracket, Retaining, Coin Chute	P19945	25. Bracket, Lock Locator	P26860
3. Ferrule	P19563	26. Screw, #8-32 x 3/8 FHM	P18448
4. Screw, #8 x 3/8 H.H., Type "F"	P14806	27. Screw, #8-32 x 3/8 PHM	P11073
5. Rod, Reject	A23446	28. Nut, Kep, #8-32	P11749
6. Pin, Cotter	P16288	29. Hinge, Bottom.	A18159
7. Nyliner	P14412	30. Screw, 1/4-20 x 5/8 FSHM	P22181
8. Washer, Flat, 5/16 I.D. x 7/8 O.D.	P10229	31. Nut, Kep, 1/4-20	P12518
9. Spring, Compression	P16159	32. Hinge, Top.	A24605
10. Washer, Flat, 17/64 I.D. x 9/16 O.D.	P21916	33. Cupwell (Incl. Item 34)	A18740
11. Top, Reject Rod	P19022	34. Nut, Pal, 1/4	P18443
12. Chute Asm, Coin	A23450	35. Chute, Cup.	A16931
13. Cover Asm, Coin Chute	A23448	36. Retarder Asm, Cup Chute	A12436
13A Coin Chute & Cover Asm (Not Shown)	A23451	37. Cup Chute & Retarder	A23105
(Includes Items 12, 13 & 15)		38. Grill, Cupwell	P19773
14. Screw, #8-32 x 1/2 PHM	P11073	39. Assembly, Cupwell & Chute	A19359
15. Nut, Knurled, #8-32	P05625	40. Assembly, Cupwell, Chute & Grill	A19360
16. Door, Coin Return	P18552	41. Lamp & Indicator Lens - Red	P14531
17. Wire, Coin Return Well Door	P20302	42. Door, Cupwell.	P19290
18. Spacer, Door.	P14132	43. Screw, 8-32 x 1/2 BHM	P22995
19. Retainer	P21127	44. Artwork, Wheatstone	P26500
20. Box Asm, Coin (from mid - 5/81)	A27526	45. Artwork, Award.	P25209
21. Catch, R.H.	P08805	46. Panel, Back	P26492
22. Spring, Tension	P09023	47. Glass (on Wheatstone Door only)	P23814
23. Nut, Pal, 1/4	P05682		



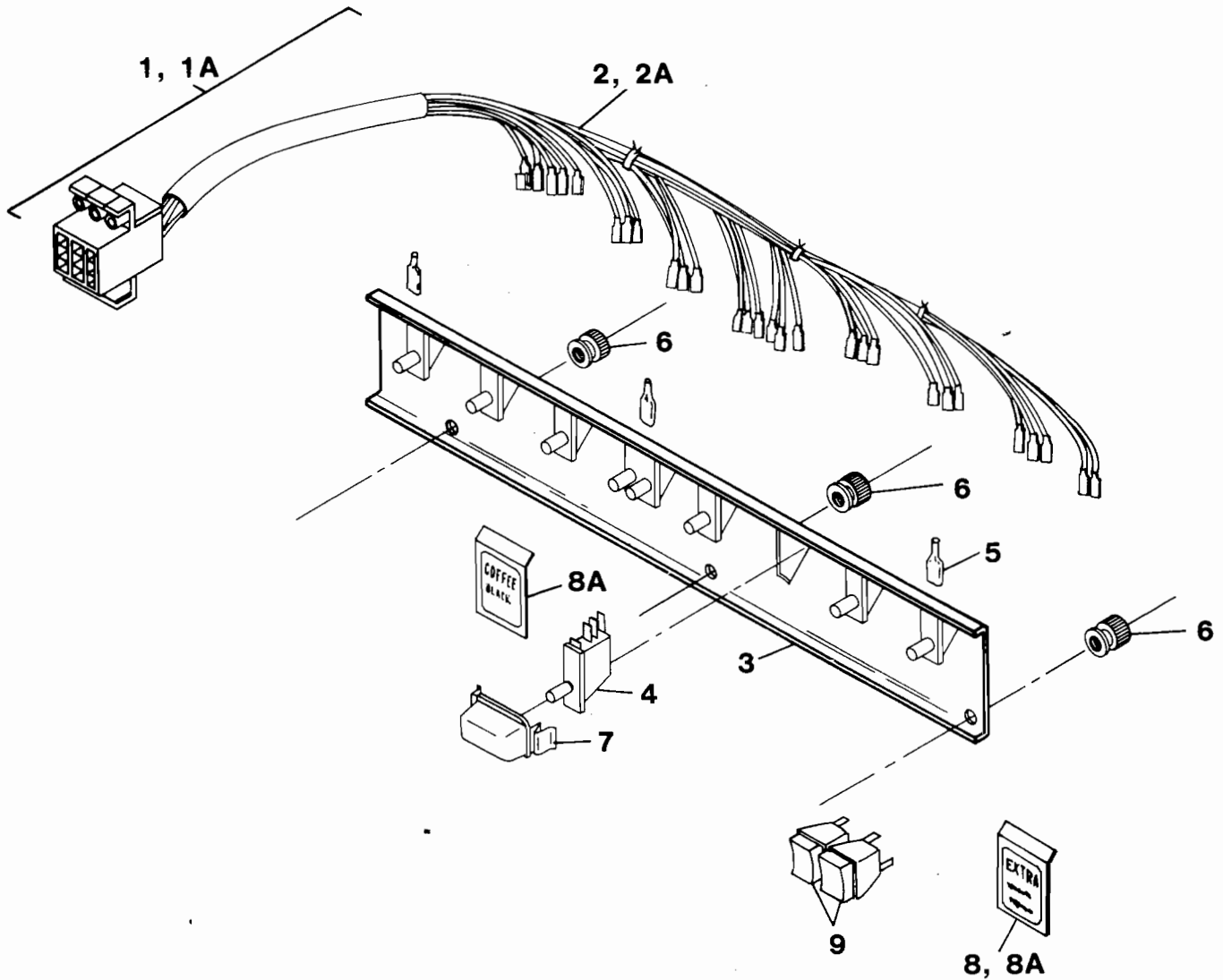
850 INTERIOR DOOR, AWARD & WHEATSTONE, SHADOW BOX

1. Door Only, Welded	A26493	34. Nut, Pal, ¼.	P18443
2. Bracket, Retaining Coin Chute	P19945	35. Chute, Cup.	A16931
3. Ferrule	P19563	36. Retarder Asm, Cup Chute	A12436
4. Screw, #8 3/8 H.H., Type "F"	P14806	37. Cup Chute & Retarder	A23105
5. Rod, Reject	A23446	38. Grill, Cupwell	P19773
6. Pin, Cotter	P16288	39. Assembly, Cupwell & Chute	A19359
7. Nyliner	P14412	40. Assembly, Cupwell & Chute & Grill	A19360
8. Washer, Flat, 5/16 I.D. x 7/8 O.D.	P10229	41. Lamp, Indicator, Red.	P27956
9. Spring, Compression	P16159	42. Door, Cupwell	P19290
10. Washer, Flat 17/64 I.D. x 9/16 O.D.	P21916	43. Screw, #8-32 x ½ BHM	P22995
11. Top, Reject Rod	P19022	44. Glass, Award.	P26392
12. Chute Asm, Coin	A23450	44A Glass, Wheatstone.	P23814
13. Cover Asm, Coin Chute	A23448	45. Retainer, Glass, Sides.	P26398
13A Coin Chute & Cover Asm (Not Shown) (Includes Items 12, 13 & 15)	A23451	46. Retainer, Glass, Bottom	P26147
14. Screw, #8-32 x ½ PHM	P11073	47. Shadow Box	A26181
15. Nut, Knurled, #8-32	P05625	48. Shadow Box w/Award Artwork	A26243
16. Door, Coin Return	P18552	49. Artwork, Award.	P26241
17. Wire, Coin Return Well Door	P20302	50. Shadow Box w/Wheatstone Artwork	A26242
18. Spacer, Door.	P14132	51. Artwork, Wheatstone.	P25810
19. Retainer	P21127	52. Panel, Bottom	P26185
20. Box Asm, Coin (from mid - 5/81)	A27526	53. Diffuser	P26186
21. Catch, R.H.	P08805	54. Washer, Flat	P17530
22. Spring, Tension	P09023	55. Bracket, Light Socket	P26485
23. Nut, Pal, ¼.	P05682	56. Screw, #4-40 x 3/8 RHM	P00856
24. Catch, L.H.	P08804	57. Nut, Kep, #4-40	P22849
25. Bracket, Lock Locator	P26860	58. Screw, #4 x 7/16, R.H., Type "F"	P16187
26. Screw, #10-32 x ¾ FHM	P18448	59. Socket, Fluorescent Light	P00935
27. Screw, #8-32 x 3/8 PHM	P11073	60. Light, Fluorescent	P20049
28. Nut, Kep, #8-32	P11749	61. Bracket, Transformer & Starter	P22152
29. Hinge, Bottom.	A18159	62. Ballast	P21956
30. Screw, ¼-20 x 5/8 FSHM	P22181	63. Socket, Starter	P00944
31. Nut, Kep, ¼-20	P12518	64. Starter	P00941
32. Hinge, Top.	A24605	65. Harness, Fluorescent Light.	A26734
33. Cupwell (Incl. Item 34)	A18740	(Incl. Items 58, 60, 61, 62 & 63)	



850 INTERIOR DOOR, CROWN, FURNITURE, IMPERIAL, GOLDEN II, & DESIGNER

1. Door Only, Welded	A26486	38. Grill, Cupwell	P19773
2. Bracket, Retaining, Coin Chute	P19945	39. Assembly, Cupwell & Chute	A19359
3. Ferrule	P19563	40. Assembly, Cupwell, Chute & Grill	A19360
4. Screw, #8-3/4 H.H., Type "F"	P14806	41. Lamp, Indicator, Red	P27956
5. Rod, Reject	A23446	42. Door, Cupwell	P19290
6. Pin, Cotter	P16288	43. Screw, Weld, #6-32 x 1/2 (Imperial & Designer)	P14832
7. Nyliner	P14412	43A Screw, Weld, #8-32 x 1/2 (Crown)	P16709
8. Washer, Flat, 5/16 I.D. x 7/8 O.D.	P10229	43B Screw, #8-32 x 1/2, BHM (Golden II)	P22995
9. Spring, Compression	P16159	44. Clamp, Diffuser	P22020
10. Washer, Flat, 17/64 I.D. x 9/16 O.D.	P21916	45. Nut, Kep, #6-32 (Imperial & Designer)	P11745
11. Top, Reject Rod	P19022	45A Nut, Kep, #8-32 (Crown & Golden II)	P11749
12. Chute Asm, Coin	A23450	45B Screw, #8-1/2 P.H., Type "A" (Furniture)	P20676
13. Cover Asm, Coin Chute	A23448	46. Diffuser	P22019
13A Coin Chute & Cover Asm (Not Shown)	A23451	47. Jamb, R.H.	P22011
(Includes Items 12, 13 & 15)		48. Jamb, L.H.	P22013
14. Screw, #8-32 x 1/2 PHM	P11073	49. Panel, Back	P22007
15. Nut, Knurled, #8-32	P05625	50. Artwork, Crown	P22014
16. Door, Coin Return	P18552	50A Artwork, Imperial, Golden II & Designer	P23005
17. Wire, Coin Return Well Door	P20302	50B Artwork, Furniture	P22026
18. Spacer, Door	P14132	51. Trim, 3/8, Horizontal	P22017
19. Retainer	P21127	52. Screw, #8-32 x 1/4, BHM	P22994
20. Box Asm, Coin (From Mid-5/81)	A27526	53. Screw, #8-32 x 1/2, BHM	P22995
21. Catch, R.H.	P08805	54. Panel, Back, w/Crown Artwork	A23473
22. Spring, Tension	P09023	54A Panel, Back, w/Imperial, Golden II & Designer Artwork	A23475
23. Nut, Pal, 1/4	P05682	54B Panel, Back, w/Furniture Artwork	P23474
24. Catch, L.H.	P08804	55. Bracket, Light Socket	P26485
25. Bracket, Lock Locator	P26860	56. Screw, #4-40 x 3/8 RHM	P00856
26. Screw, #10-32 x 1/4 FHM	P18448	57. Nut, Kep, #4-40	P22849
27. Screw, #8-32 x 3/8 PHM	P11073	58. Screw, #4 x 7/16, R.H., Type "F"	P16187
28. Nut, Kep, #8-32	P11749	59. Socket, Fluorescent Light	P00935
29. Hinge, Bottom	A18159	60. Light, Fluorescent	P20049
30. Screw, 1/4-20 x 5/8 FSHM	P22181	61. Bracket, Transformer & Starter	P21152
31. Nut, Kep, 1/4-20	P12518	62. Ballast	P21956
32. Hinge, Top	A24605	63. Socket, Starter	P00944
33. Cupwell, Incl. Item 34	A18740	64. Starter	P00941
34. Nut, Pal, 1/4	P18443	65. Harness, Fluorescent Light	A26734
35. Chute Asm, Cup	A16931	(Incl. Items 58, 60, 61, 62, & 63)	
36. Retarder Asm, Cup Chute	A12436		
37. Cup Chute & Retarder	A23105		



850 SELECTOR SWITCH ASSEMBLY

- | | |
|--|---|
| 1. Switch Asm, Selector for Electro Mech. Box A23162
(Incl. Items 2 thru 5) | 8. Label Set, Selection – For Mach. with Electro Mech.
Electr. Box |
| 1A Switch Asm, Selector – For Commoditator Box A24228
(Incl. Items 2A thru 5) | For Award Style (White) A19470 |
| 2. Harness Asm, Selector – for Electro Mech. Box A21715 | For Crown & Imperial Style (Blue) A19471 |
| 2A Harness Asm, Selector – for Commoditator Box A24227 | For Furniture, Golden II, Imperial, Designer &
Wheatstone Style (Brown) A19469 |
| 3. Bracket, Switch Mounting P27060 | For Versatile & ARA Style (Avocado) A19472 |
| 4. Switch P15675 | 8A Label Set, Selection – For Mach. with Commoditator
Electr. Box |
| 5. Cover, Terminal, .250 A23161 | For Award Style (White) A25776 |
| 6. Nut, Knurled, #8-32 P05625 | For Crown & Imperial Style (Blue) A25777 |
| 7. Button, Selector. P20344 | For Furniture, Golden II, Imperial, Designer &
Wheatstone Style (Brown) A25778 |
| | For Versatile & ARA Style (Avocado) A25793 |
| | 9. Switch, Extras. P24575 |

850 Cabinet and Miscellaneous Items

1.	Cabinet Asm.	A26461
2.	Leg Asm RH.	A18408
3.	Leg Asm LH.	A18397
4.	Washer, Split Lock # 8	P05979
5.	Bolt, Hex Head 3/8 – 16 x 1"	P07444
6.	Leveler	P19039
7.	Screw, #8-32 x 3/8 Self Tapping	P14806
8.	Screen, Cabinet Exhaust	P14189
9.	Bracket, Door Lock Cagenut	P18553
10.	Nut, Floating ½ – 13	P17592
11.	Bracket Asm, Door Lock Cagenut.	A19426
12.	Bracket, Lamp	P14119
13.	Socket, Lamp	P14112
14.	Bulb, Lamp	P14140
15.	Lens, Lamp	P14094
16.	Lamp Asm	A19427
17.	Commodity Spout Asm, Complete	A22830
17A.	Support, Spout	P23712
17B.	Nut, Wing, ¼-20	P22836
17C.	Spout Asm (3 Spout)	P22822
17D.	Washer, Flat #8 S.S.	P06981
17E.	Clip Retaining	A22829
17F.	Bracket, Support	A25180
18.	Float & Switch Asm, Bucket	A18764
18A	Switch, Overflow.	P05844
18B	Float, Spend Grounds	P04732
18C	Chain, Overflow Switch Asm	P03654
18D	Cover, Insulation.	P00784
18E	Bracket, Grounds Bucket	P15573
19.	Bracket, Bucket	P15459
20.	Bracket, Cupwell.	P19177
21.	Nut, Knurled, #8-32	P14928
22.	Cover Asm, Hot Water Tank	A22142
23.	Cover Asm, Canister.	A22776
24.	Cover, Electrical Cable	A25656
25.	Bucket, Waste, Overflow.	P06922
26.	Bucket, Waste, Grounds	A14560
27.	Bracket	P14725
28.	Overflow Asm, Grounds	A17014

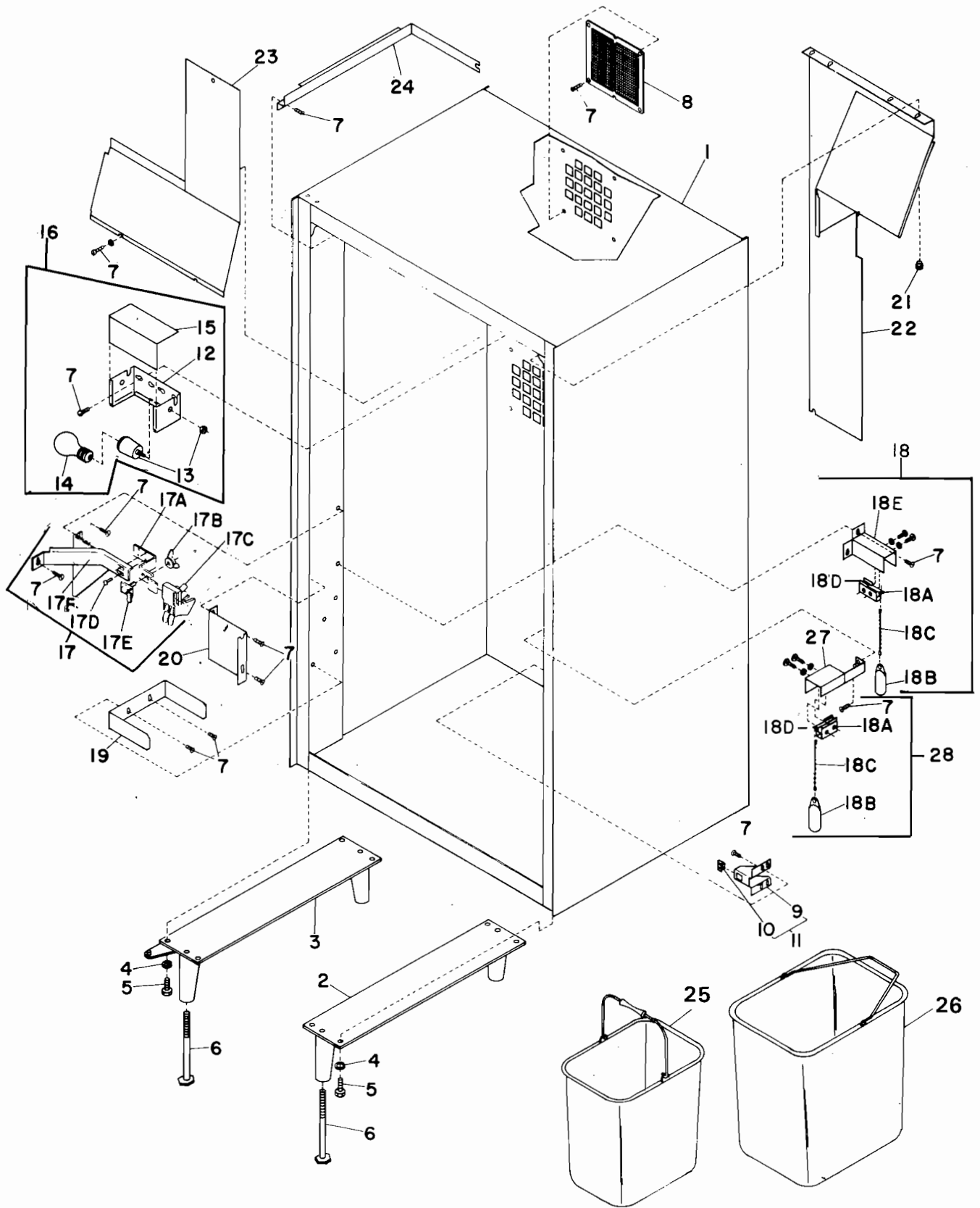
MISCELLANEOUS PARTS NOT ILLUSTRATED

Bag, Coffee Grounds (Carton Only) 5/600	P16060
Bag, Coffee Grounds (Less Carton)	A14581
Bar Asm, Humidity	A22510
Bracket, Humidity (Only)	P22502
Strip, Heater (Only)	P21618
Cartridge, Filter Refill (Everpure HQC4)	A16991
Filter Asm (Everpure HQC4)	A16986

KICK PANELS

Panel, Kick w/Hardware – Crown.	A20971
Panel, Kick Only – Crown	A20970
Panel, Kick w/Hardware – Furniture.	A20973
Panel, Kick Only – Furniture	A20972
Panel, Kick w/Hardware – Award.	A20975
Panel, Kick Only – Award	A20974
Panel, Kick w/Hardware – AR/GLDII.	A20978
Panel, Kick Only – AR/GLDII	A20977
Panel, Kick w/Hardware – Versatile	A20969
Panel, Kick Only – Versatile	A20968

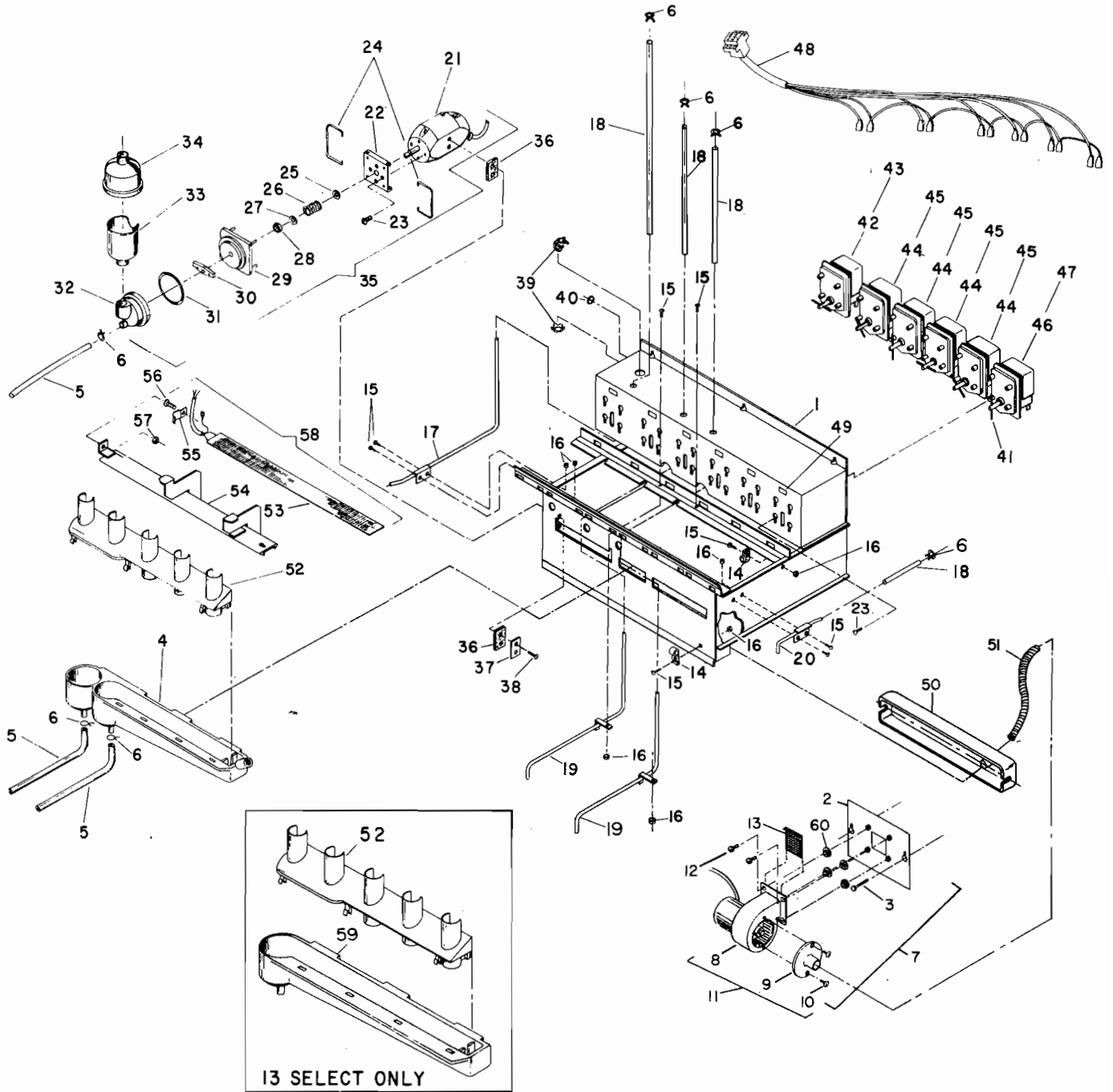
850 Cabinet and Miscellaneous Items

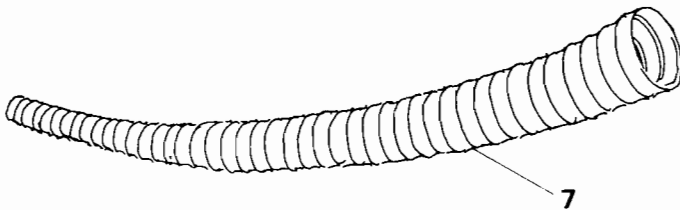
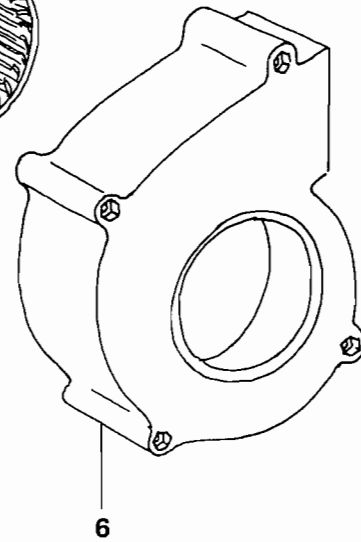
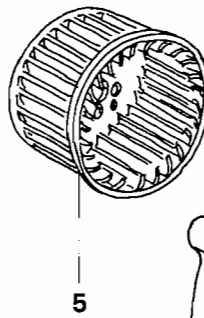
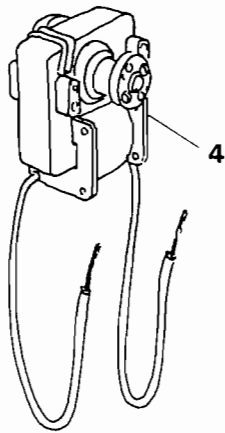
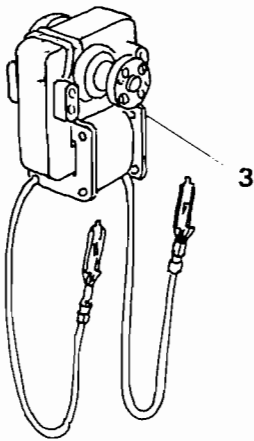
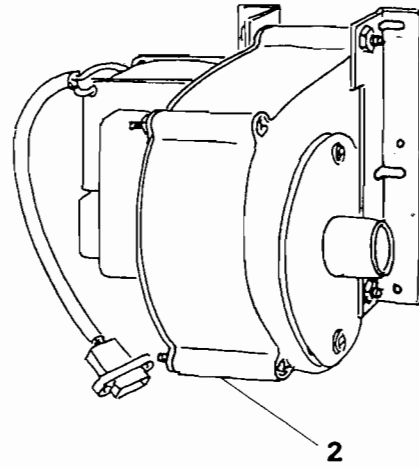
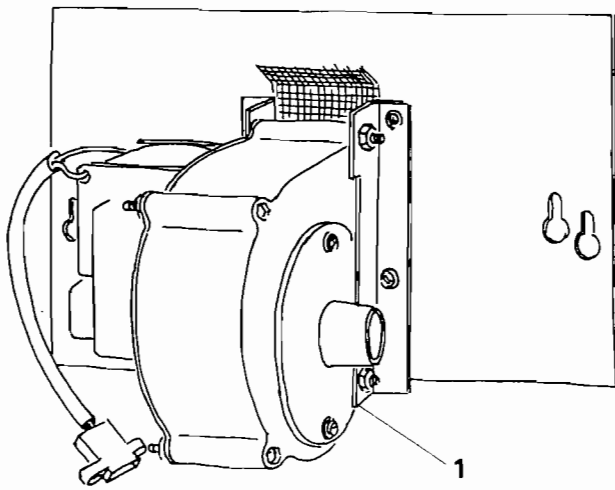


850 Canister Rack

Rack Asm, Canister, 5 Selections LG	A24040	34. Funnel, Top Entrance	P14745
(Less Items 48-53)		35. Whipper Asm, Chocolate (Incl. Items 21-34)	A16521
Rack Asm, Canister, 6 Selections LG	A24041	36. Pad Vibration	A14180
(Less Items 48-53)		37. Plate, Compression	P14181
Rack Asm, Canister, 9 Selections LG	A24042	38. Screw, # 8-32 x 5/8 P.H.	P11325
(Less Items 48-53)		39. Clamp, Strain Relief.	P00253
Rack Asm, Canister, 10 Selections LG	A24043	40. Bushing, Hole	P22486
(Less Items 48-53)		41. Pin, Roll	P15628
Rack Asm, Canister, 13 Selections LG	A24044	42. Motor, 180 RPM	P22731
(Less Items 48-53)		43. Motor Asm, Chocolate Auger 180 RPM . . .	A22737
Rack Asm, Canister, 14 Selections LG	A24045	(Incl. Items 41 & 42)	
1. Rack, Canister	A24024	44. Motor, 100 RPM	P07311
2. Plate Adaptor, Blower Motor	A21893	45. Motor Asm, Light Auger, 100 RPM.	A13999
3. Screw, #8 x 3/8 S.T. Type "F"	P14806	(Incl. Items 41 & 44)	
4. Trough, Commodity	P21744	Motor Asm, Sugar Auger, 100 RPM	A13999
5. Tube, Silicone (Chocolate, Soup, Coffee) . . .	P19033	(Incl. Items 41 & 44)	
6. Clamp, Tubing	P08909	Motor Asm, Tea Auger, 100 RPM.	A13999
7. Exhaust Motor Asm	A22338	(Incl. Items 41 & 44)	
8. Motor Asm (order item 11)	A24058	Motor Asm, Soup Auger, 100 RPM.	A13999
9. Inlet	P18920	(Incl. Items 41 & 44)	
10. Screw, #8 x 1/4 R.H.S. Type B, S.M.S.	P19349	Motor Asm, Sanka Auger, 100 RPM	A13999
11. Blower Asm Motor, Wired.	A24068	46. Motor, 51 RPM.	P14453
12. Screw, # 8-32 x 3/4 P.H.	P09259	47. Motor Asm, Coffee Auger, 51 RPM	A14469
13. Screen	P20942	(Incl. Items 41 & 46)	
14. Cable Clamp, Plastic, 3/8	P17587	48. Harness Asm, Canister Rack	A21714
15. Screw, # 8-32 x 3/8 P.H.	P14491	49. Decal, Chocolate	P20191
16. Nut, Kep, # 8-32	P11749	Decal, Soup (6, 10 & 14 Selection)	P20192
17. Tube Asm, Chocolate Water	A23742	Decal, Tea (9, 10 & 14 Selection)	P20193
18. Tube, PVC, (Chocolate, Soup, Coffee)	P09146	Decal, Light	P20194
19. Tube Asm, Soup (6, 10 & 14 Selection Only)	A23740	Decal, Sugar	P20197
20. Tube Asm, Tea & Coffee Water	A22631	Decal, Coffee	P20198
21. Motor Asm, Chocolate Whipper (Wired)	P14001	Decal, Sanka (14 Selection Only)	P20199
21A Motor Asm, Chocolate Whipper (Unwired) . .	P13913	50. Duct, Steam Exhaust	P23895
22. Plate, Mounting.	P13914	51. Hose, Exhaust (Bulk # per foot)	P13290
23. Screw, # 8-32 x 1/4 P.H.	P14487	52. Chute, Commodity	P21146
24. Spring, Closing	P13915	53. Strip, Heater Wired	A21618
25. Slinger.	P13918	54. Bracket, Welded Asm	P22502
26. Spring, Seal	P13957	55. Clamp, Cable	P00638
27. Washer, Seal Retaining	P13959	56. Screw, # 6-32 x 1/4 P.H.	P00054
28. Seal, Leather	P13958	57. Nut, Kep, # 6-32	P11745
29. Housing, Inner	P13910	58. Bar Asm, Humidity	A22156
30. Impeller.	P13912	59. Trough, 13 Select	A22519
31. Ring, "O", (2 1/4 ID x 1/8 C.S.)	P13919	60. Spacers, When Item #2 is not used	P21017
32. Housing, Outer	P13909		
33. Funnel, Bottom Entrance	P21023		

850 Canister Rack





Blower Assembly Exhaust and Components

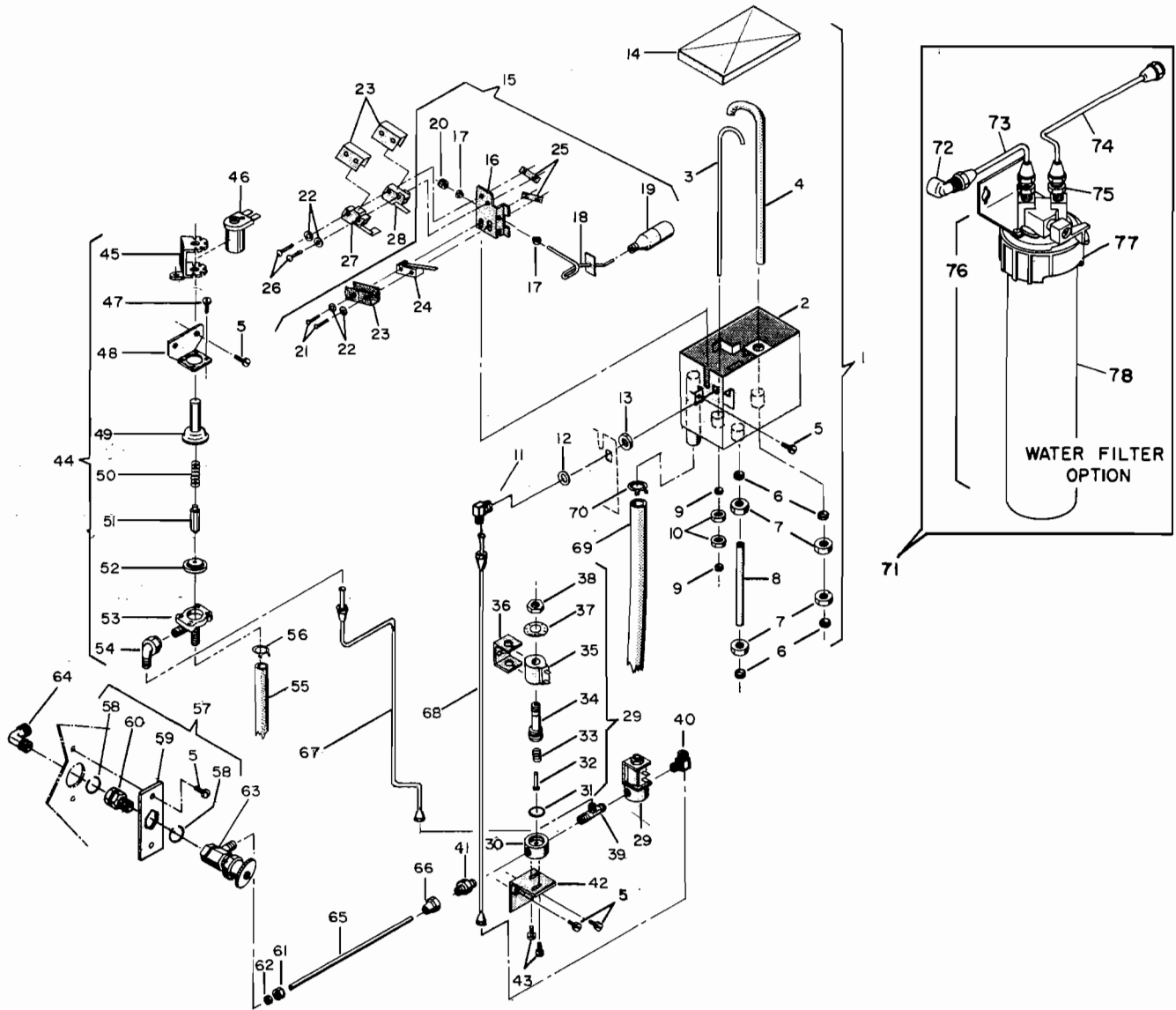
1.	Blower Asm. Exhaust With Adaptor Plate	A22338	5.	Wheel, BlowerP29831
2.	Blower Asm. Exhaust Less Adaptor Plate .	A24068	6.	Housing, Blower, PlasticP29832
3.	Motor Exhaust With Fastin PinsP29830	7.	Hose Exhaust (By Ft. in 6' Lengths).P26550
4.	Motor Exhaust Less Fastin PinsP29551			

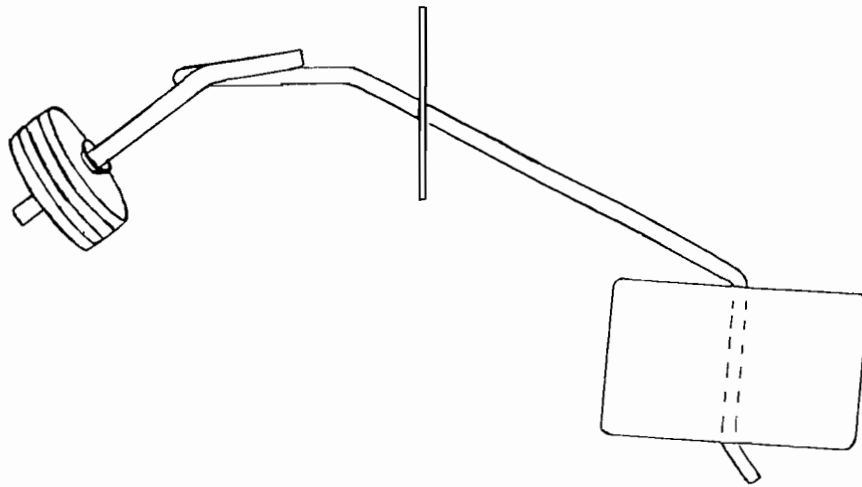
NOTE: For Additional Parts Not Shown Refer To Page 5.01 Of This Manual.

850 Reservoir Assembly and Water Inlet System

1.	Reservoir, Float, & Float Switch Asm	A13987			
	(Incl. Items 2–26)				
2.	Reservoir	A13900			
3.	Tube, Vent 3/8"	P14063			
4.	Tube, Vent 5/8"	P13991			
5.	Screw, #8-32 x 3/8 S.T. Type "F"	P14806			
6.	Sleeve, Compression, 5/8"	P13110			
7.	Nut, Compression, 5/8"	P13109			
8.	Tube, Filler Transfer, 5/8"	P14400			
9.	Sleeve, Compression, 3/8"	P13113			
10.	Nut, Compression, 3/8"	P13112			
11.	Elbow, 90°	P00359			
12.	Washer, Nylon	P19016			
13.	Nut, Jam 1/4 NPT	P11025			
14.	Lid, Reservoir	P13253			
15.	Float & Float Switch Asm	A13989			
	(Incl. Items 16-25)				
16.	Bracket, Switch	P16249			
17.	Nyliner	P16298			
18.	Rod, Float Asm	A16294			
19.	Float	P25770			
20.	Push-On	P16299			
21.	Screw, #6-32 x 1 LG, R.H.	P00552			
22.	Washer, #6 Flat	P00826			
23.	Insulation, Switch	P00784			
24.	Switch, Float	P09598			
25.	Nut, Twin No. 6	P01179			
26.	Screw, #6-32 x 1 1/4 LG R.H.	P17428			
27.	Switch, Heater Safety	A19547			
28.	Switch, Low Water Coin Return	P05844			
29.	Valve Asm, Water In & Safety	A17135			
	(Incl. Items 30–38)				
30.	Body, Valve, Skinner	P17129			
31.	Ring, "O"	P00020			
32.	Plunger, Skinner	P17125			
33.	Spring, Plunger, Skinner	P17124			
34.	Guide, Plunger, Skinner	P07727			
35.	Coil, Skinner	P17130			
36.	Yoke, Skinner	P17128			
37.	Nameplate, Skinner	P17126			
38.	Nut, Hex	P17127			
39.	Tee, 1/4 MPT x 1/4 MPT x 1/4 MFL	P13246			
40.	Elbow, 90°, 1/4 MPT x 1/4 MFL	P00359			
41.	Elbow, 45°, 1/4 MPT x 3/8 MFL	P18932			
42.	Bracket, Water In	P14502			
43.	Screw, #10-32 x 1/4	P16434			
44.	Valve Asm, Cold Water (Incl. Items 45–54)	A23709			
45&46	Yoke & Coil Asm	P23923			
47.	Screw	P17101			
48.	Bracket, Mounting	P23919			
49.	Guide, Solenoid	P23922			
50.	Spring, Armature	P23921			
51.	Armature	P23920			
52.	Diaphragm	P23918			
53.	Body, Valve	P23917			
54.	Elbow, 90°, 1/4 F.P.T. x 1/4 Fl.	P06421			
55.	Tube, P.V.C.	P20177			
56.	Ring	P08909			
57.	Water In Asm (Incl. Items 58–60)	A25885			
58.	Ring, Retaining	P25888			
59.	Retainer	P26444			
60.	Fitting, 3/8 MPT x 3/8 FPT	P25886			
61.	Nut, Compression	P13112			
62.	Ring, Compression	P13113			
63.	Gate, Valve, 3/8 FPT x 3/8 Tube	P14924			
64.	Elbow, 90°, 3/8 FPT x 3/8 MFL	P06225			
65.	Tube, 3/8, Water In Asm	A18964			
66.	Nut, Flare, 3/8	P00049			
67.	Tube, 1/4, Cold Water Shot, SS	A20293			
68.	Tube, 1/4, Reservoir, SS	A19179			
69.	Overflow, Reservoir	P27579			
70.	Ring, ER-18	P14488			
71.	Water Filter, Complete (Incl. Tubing)	A26106			
72.	Elbow, 90°, 3/8 FPT x 3/8 MFL	P16500			
73.	Tube, Inlet to Filter	P18790			
74.	Tube, Filter to Water In	P18791			
75.	Connector, 3/8 MPT x 3/8 MFL	P14923			
76.	Filter System	P16986			
	(Incl. Mtg. Bkt Head & Cartridge)				
77.	Filter Head & Ring Asm	P23281			
78.	Cartridge, Everpure 4H	P16991			

850 Reservoir Assembly and Water Inlet System



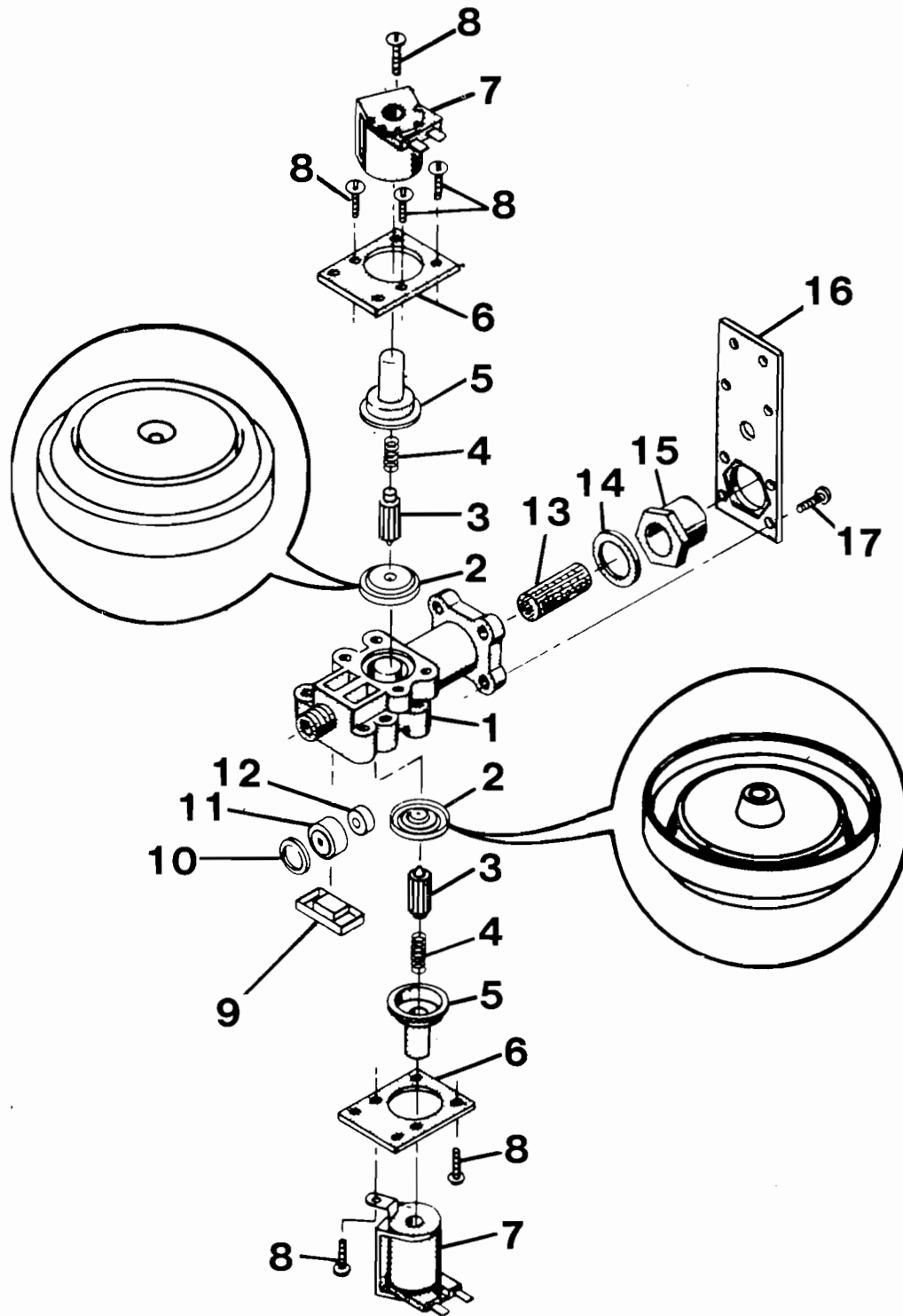


FLOAT AND FLOAT ROD ASSEMBLY – A29557

Beginning with the following model and serial numbers, the new type Float and Float Rod Assembly will be used in production.

850-LG serial number – 88691
850-DH serial number – 94199
850-FD serial number – 74756

This Float and Float Rod Asm. will retrofit all 850 series machines and can be ordered from RMI's parts department.



LIFT TYPE

850 VALVE ASSEMBLY – WATER IN 120V 50/60 HZ

Valve Assembly Complete	A22242	10. Gasket	P22771
1. Body, Valve	P16449	11. Insert Flow Washer Seat	P19817
2. Diaphragm, Lift	P22247	12. Washer, Flow, 3/32 Hole Identification Mark "CK"	P22246
3. Armature.	P16451	Lift Type	
4. Spring	P16452	13. Screen, Inlet Valve	P16476
5. Guide.	P16453	14. Gasket	P16477
6. Plate, Hold Down	P16471	15. Fitting, Inlet.	P16478
7. Coil, White.	P16472	16. Plate, Mounting	P16479
8. Screw.	P16493	17. Screw, Mounting Plate	P16489
9. Plug, Seal.	P16474		

850 Hot Water Tank, Reservoir System

After 10/15/76

Tank Asm, Complete A27930

(incl. items 1-4, 34-35, 37-37B, 38-39, 49A, 50-50B, 56-57)

Tank Asm, Basic A27927

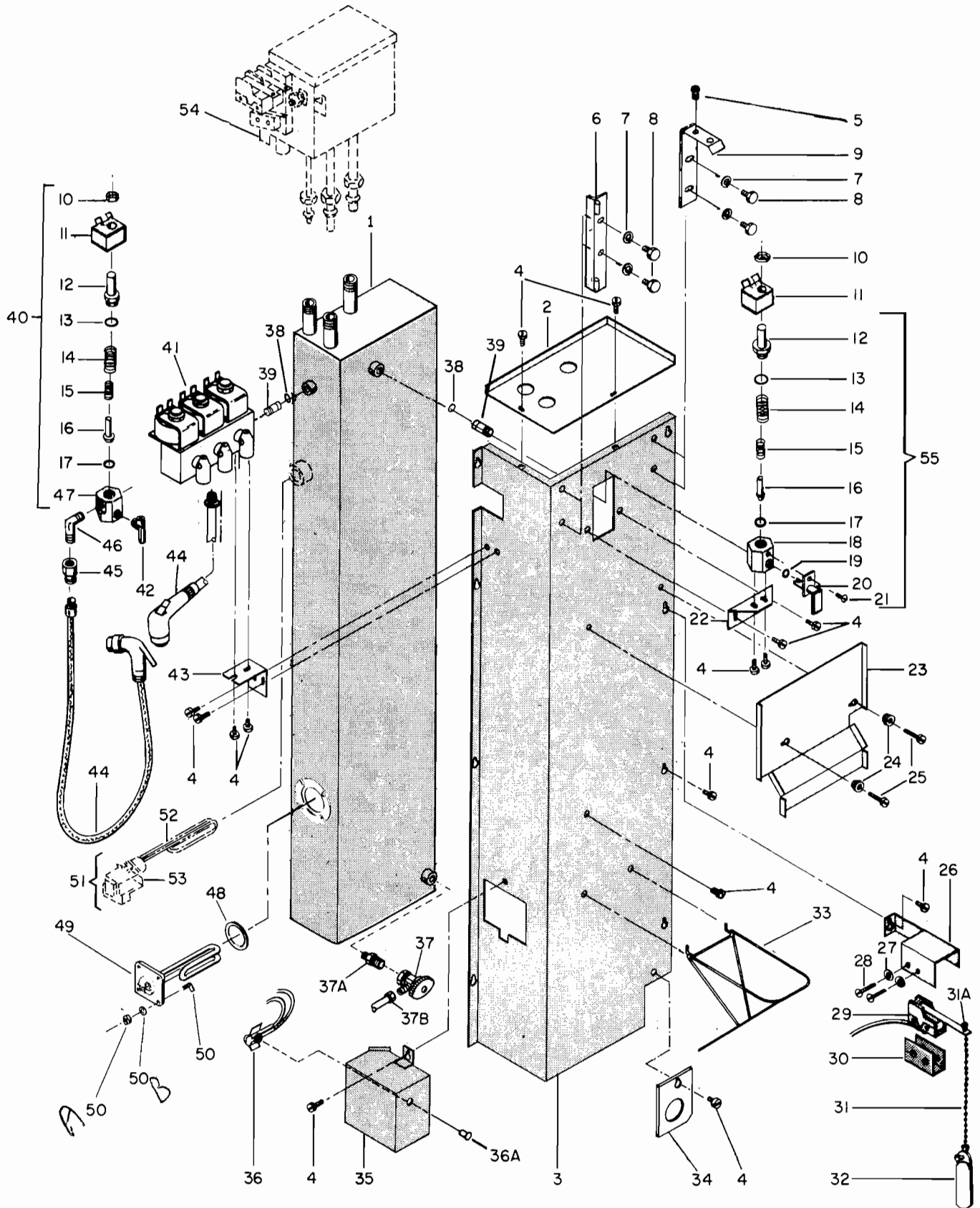
(Incl. items 1, 37-37B, 49A, 50-50B, 56-57)

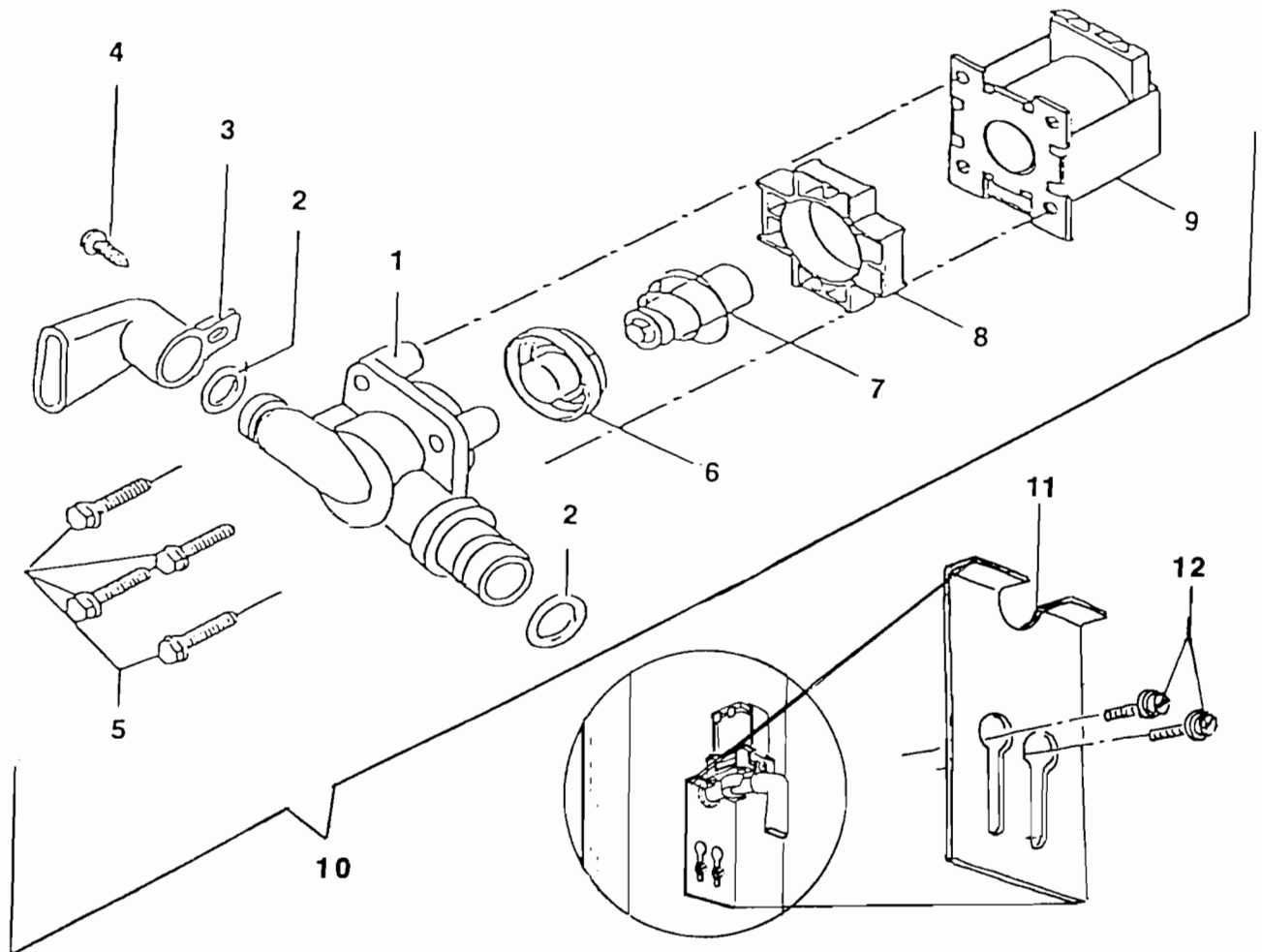
- 1. Tank Asm, Water Only (Single Heater) A22130
- 1A Tank Asm, Water Only (Dual Heater) A22254
- 2. Cover, Tank Top P14041
- 3. Cover, Tank Side P22134
- 3A Cover, Tank Side — Dual Heater P22255
- 4. Screw, # 8-32 x 3/8 H.H.S.T. P14806
- 5. Screw, Socket, # 10-32 x 1/2 P12714
- 6. Bracket, Brewer L.H. A16646
- 7. Washer, Split Lock 1/4 P00624
- 8. Screw, Cap, 1/4-20 x 1/2 P10228
- 9. Bracket, Brewer, R.H. A16641
- 10. Nut, Pal, 1/2 P00247
- 11. Coil P05530
- 12. Sleeve, Valve, P00240
- 13. Ring, "O" 3/4 x 15/16 P00519
- 14. Spring, "O" Ring. P00631
- 15. Spring, Plunger P00255
- 16. Plunger P00632
- 17. Ring, "O", 1/2 x 11/16. P00522
- 18. Valve, Body, Brewer P13960
- 19. Ring, "O", Spout Seal P11639
- 20. Spout, Brewer. P13961
- 21. Screw, # 8-32 x 1/4 P.H. P14487
- 22. Bracket, Valve, Brewer P14503
- 23. Deflector, Spent Grounds P14726
- 24. Nut, Knurled, # 8-32 P05625
- 25. Screw, # 8-32 x 3/4 P.H. P13802
- 26. Bracket, Float, Spent Grounds. P14725
- 27. Washer, Flat, # 6 P00826
- 28. Screw, # 6-32 x 1 R.H. P00050
- 29. Switch. P05844
- 30. Cover, Insulator P00784
- 31. Chain, Overflow Switch Asm P03654
- 31A Sleeve, Chain ~~P03654~~
- 32. Float, Spent Grounds. P04732
- 33. Bracket, Bucket Grounds P19735

- 34. Coverplate, Drain P14173
- 35. Cover, Heat (2 required for Dual Heater) P14764
- 36. Lamp, Indicator & Lens — Red P14531
- 37. Valve, Drain Tank P14924
- 37A Nipple, Reducing, 1/4 MPT x 3/8 MPT P17359
- 37B Tube, 3/8 Copper P19536
- 38. Ring, "O" P14759
- 39. Adapter. P16216
- 40. Valve Asm, w/Coil (Incl. Items 10-17 & 52) A13028
- 40A Valve Asm, less Coil (Incl. Items 12-17 & 52) A13240
- 41. Valve Asm, w/Coils A24787
(Incl. Items 41, 42, 45 & 49)
- 42. Elbow, Vented, Water Out A21675
- 43. Bracket, Water Outlet Valves P14503
- 44. Hose, Spray P14494
- 45. Reducer, Brass, 1/4 FPT x 1/8 FPT. P14496
- 46. Elbow, Brass 90°, 3/8 x 1/4 MPT P14495
- 47. Body, Valve, Commodity (5 Select) P06644
- 48. Gasket. P22262
- 49. Heater (order item 49A) P22289
- 49A Heater & Gasket Asm (Incl. 48 & 49) P21449
- 50. Screw, Spotwell, 1/4-20 x 1/4 P21917
- 50A Nut, Kep, 1/4-20 P12518
- 50B Washer, Flat, #14 P21916
- 51. Heater & Thermostat Asm, 1500W A25619
- 52. Heater, 1500W (Spare Part Only) P22852
- 53. Thermostat Asm (Not Available) A25618
- 53A Switch, Thermostat P16238
- 53B Element, Power. P06837
- 54. Reservoir Asm A13987
- 55. Valve Asm, Brewer, less Coil, w/Spout. A13962
(Incl. Items 12—21)
- 55A Valve Asm, Brewer, w/Coil, w/Spout. A19645
(Incl. Items 10—21)
- 55B Valve Asm, Brewer, w/Coil, less Spout. A19836
(Incl. Items 10—18)
- 55C Valve Asm, Brewer, less Coils, less Spout A19837
(Incl. Items 12—18)
- 56. Ring "O", 3 1/8 OD (not shown) P22414
- 57. Insulation — Installed (not shown) P13516

NOTE: Dual Heater Parts not Available

850 Hot Water Tank, Reservoir System
After 10/15/76





VALVE ASSEMBLY BREWER, EATON — A28818

Beginning with the following serial numbers, the "Eaton" Brewer Valve will be used in production.

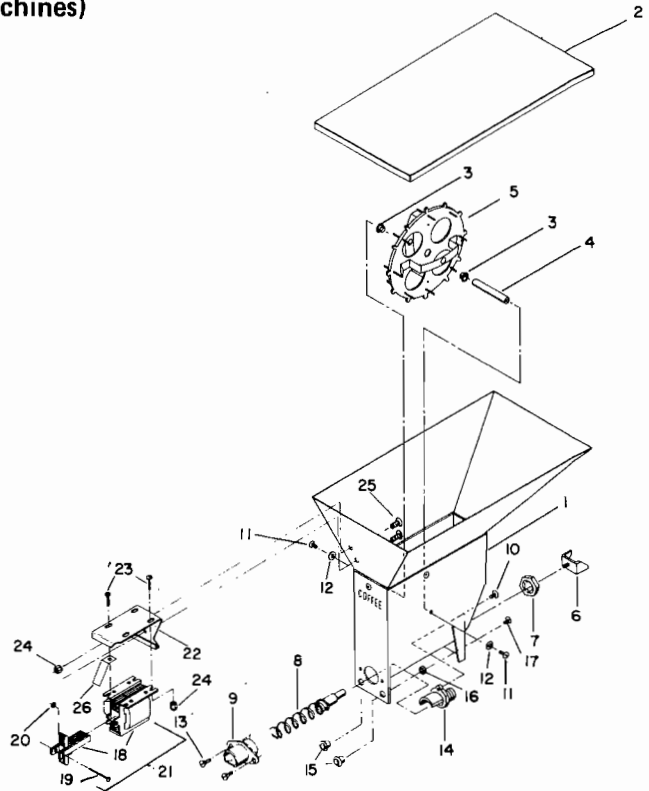
Model 850-LG serial number 88358

Model 850-DH serial number 93564

1.	Body Valve	A28732	7.	Armature Asm	P22789
2.	"O" Ring	P14759	8.	Adapter	P27787
3.	Spout Brewer Valve	P28733	9.	Coil	P27790
4.	Screw 6 x 5/16 — PH	P28825	10.	Valve Asm. Inc. Items 1-10	P28818
5.	Screw Mounting	P27791	11.	Bracket, Mounting	P28814
6.	Diaphragm	P27793	12.	Screw, 8/32 x 3/8 HHST.	P14806

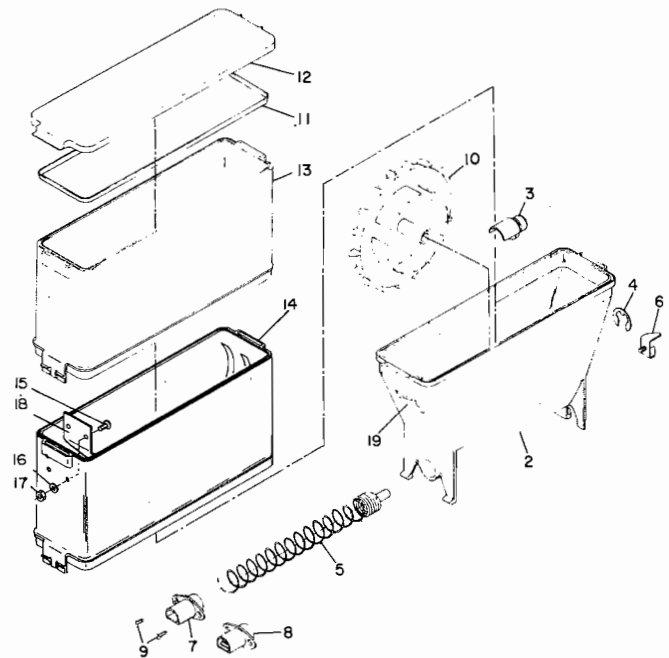
**850 Canister Assembly, Coffee – LG (Single Hopper Machines)
A21038 (Complete With Lid)**

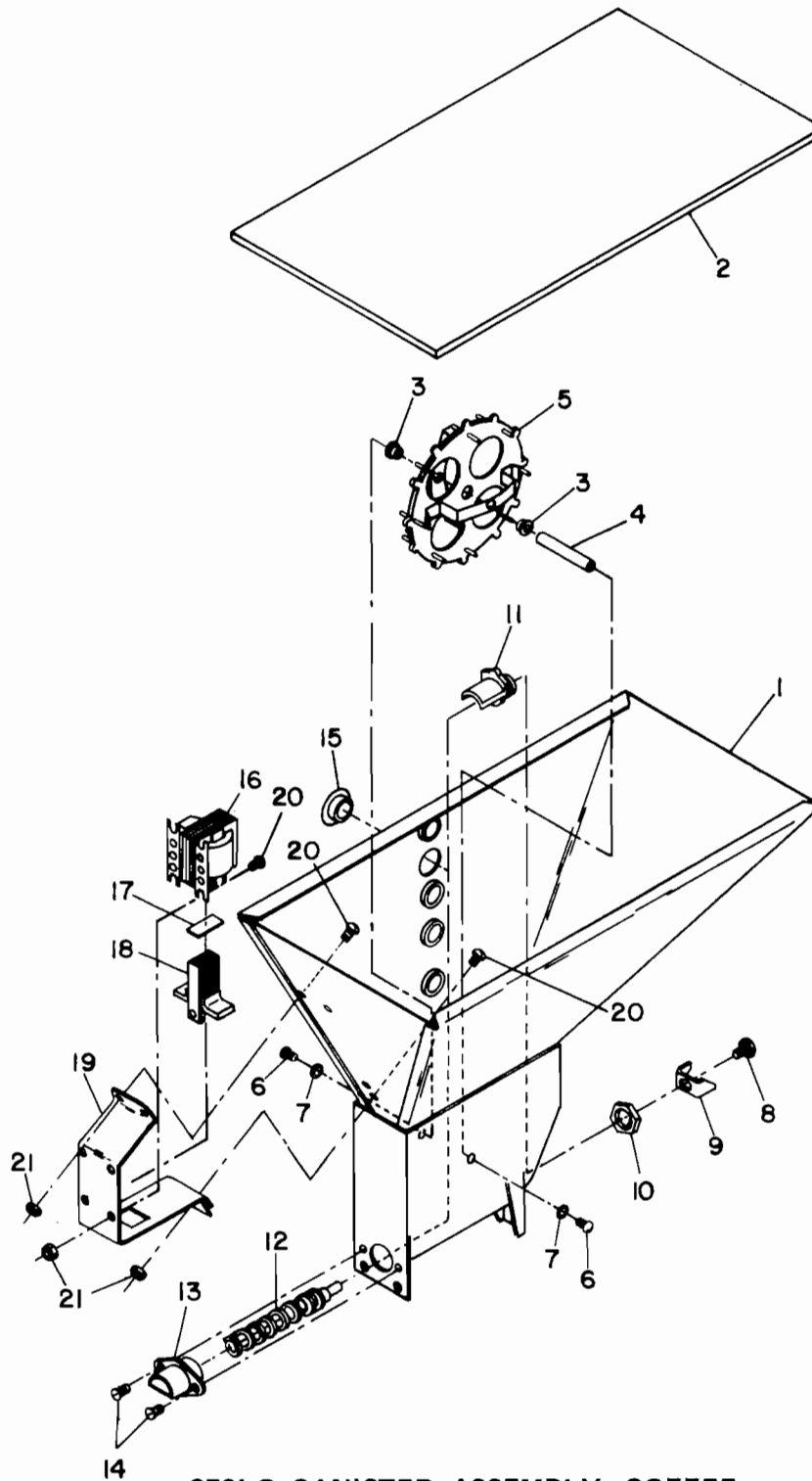
1. Canister Only; Coffee (Plastic Bottom) . . .	P14006
2. Lid, Canister Coffee	P18516
3. Nyliner	P14013
4. Axle, Wheel	P14017
5. Wheel, Commodity	P21034
6. Driver, Auger	P25969
7. Nut, Pal	P14190
8. Auger & Shaft Asm	P14023
9. Spout & Bearing, Louver	P14011
10. Screw, #8-32 x 1/4 P.H.	P14487
11. Screw, #6-32 x 3/8 P.H.	P00825
12. Washer, Flat, #6	P00826
13. Screw, #6-32 x 3/8 Fl. Hd. Type B	P25034
14. Bearing, Rear	P14012
15. Catch, Bullet	P14129
16. Nut, Hex Kep, #8	P11749
17. Screw, Fillister Head, #8-32 x 3/8	P14019
18. Solenoid & Plunger	P21040
19. Pin, Spring, St. Stl.	P23973
20. Nut, Lock, #6-32	P19927
21. Solenoid Asm, Items 18 thru 20	A21237
22. Bracket, Solenoid Mounting	P21039
23. Screw, #8-32 x 3/8 P.H.	P14491
24. Nut, Esna, #8	P21042
25. Screw, #8-32 x 3/8 Truss, Head, Slotted, St. Stl.	P00681
26. Spring, Solenoid	P21372
27. Clip, Spring (not shown)	P26483



850 Canister Assemblies, Snap To-Gether

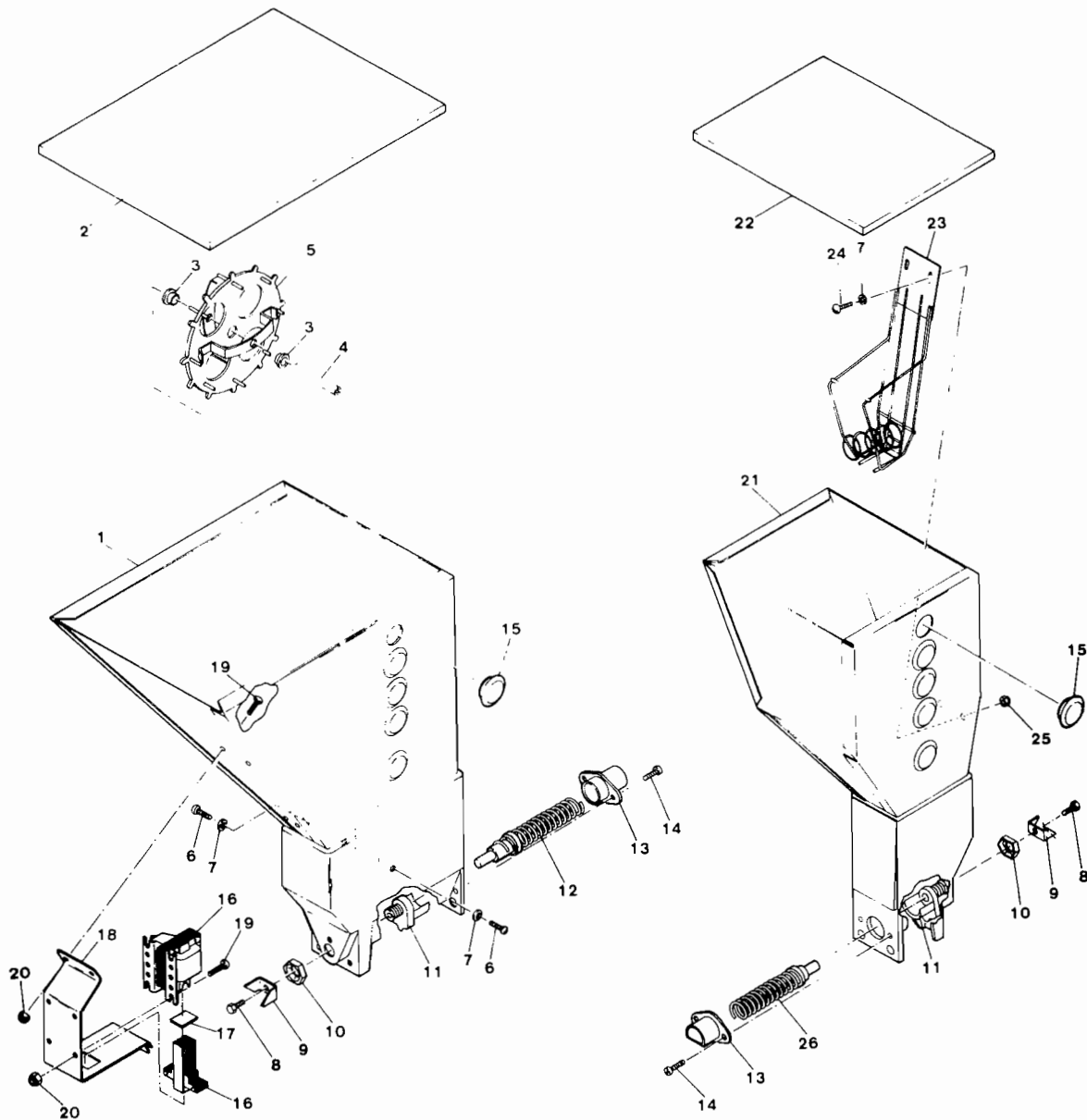
Canister Asm Coffee, FD (850 FD Models Only)	A22567
Canister Asm, Sugar (Incl. Items 1A, 13 & 19E)	A22568
Canister Asm, Light (Incl. Items 1A, 13 & 19D)	A22562
Canister Asm, Tea (Incl. Items 1A & 19C)	A22565
Canister Asm, Sanka (Incl. Items 1A & 19G)	A22566
Canister Asm, Chocolate	A22564
(Incl. Items 1B, 13, 14, 18, & 19A)	
Canister Asm, Soup (Incl. Items 1B & 19B)	A22563
1. Canister Asm, Sugar, Basic Bottom	A22460
(Less Items 8, 10, 13 & 19G)	
1A Canister Asm, Light, Teas, Sanka	A22470
Basic Bottom (Less Items 7, 13 & 19G)	
1B Canister Asm, Choc., Soup, Coffee	A22480
Basic Bottom (Less Items 8, 13 & 19G)	
2. Canister, Bottom	P20288
3. Bearing, Rear	P20263
4. Ring, Retaining	P20646
5. Auger Asm, Commodity	A20645
6. Driver, Auger	P15419
7. Spout, Plain	P26643
8. Spout, Louvered	P26642
9. Screw – F.H., 6-32 x 3/8, Type B	P25034
10. Wheel Commodity	P20311
11. Seal, Canister Extruder	P22252
12. Lid, Canister	P20647
13. Extension, Canister	P23711
14. Extension, Canister Agitator Asm	A23731
15. Screw, Weld, #6-32 x 5/16	P24529
16. Washer, #6	P00826
17. Nut, Kep, #6-32	P19927
18. Agitator Asm, Chocolate	A23757
19. Decals, Set, (Incl. Items 19A & 19G)	A20210
19A Decal, Chocolate	P20191
19B Decal, Soup	P20192
19C Decal, Tea	P20193
19D Decal, Light	P20194
19E Decal, Sugar	P20197
19F Decal, Coffee	P20198
19G Decal, Sanka	P20199





**850LG CANISTER ASSEMBLY, COFFEE
A21038 (Updated)**

1. Canister Asm, Coffee	A21038	12. Auger and Shaft Asm.	P14023
2. Lid, Canister, Coffee	P18516	13. Spout, Canister	P14011
3. Nyliner.	P14013	14. Screw 6-32 x 3/8 FH TP SCP	P21492
4. Axle, Wheel	P14017	15. Plug, Hole	P17627
5. Wheel, Commodity	P21034	16. Solenoid and Plunger	P21040
6. Screw 6-32 x 3/8 PH PL	P12503	17. Pad, Shock, Solenoid	P27940
7. Washer, Flat 6 SCP	P00826	18. Plunger (Not sold separately – part of item 16)	
8. Screw, Auger Drive	P25970	19. Bracket, Solenoid	P27935
9. Driver, Auger	P25969	20. Screw 8-32 x 3/8 PH	P14491
10. Nut, 5/8 – 11 Pal.	P14190	21. Nut 8-32 Stop SCP	P21042
11. Bearing, Rear	P14012		

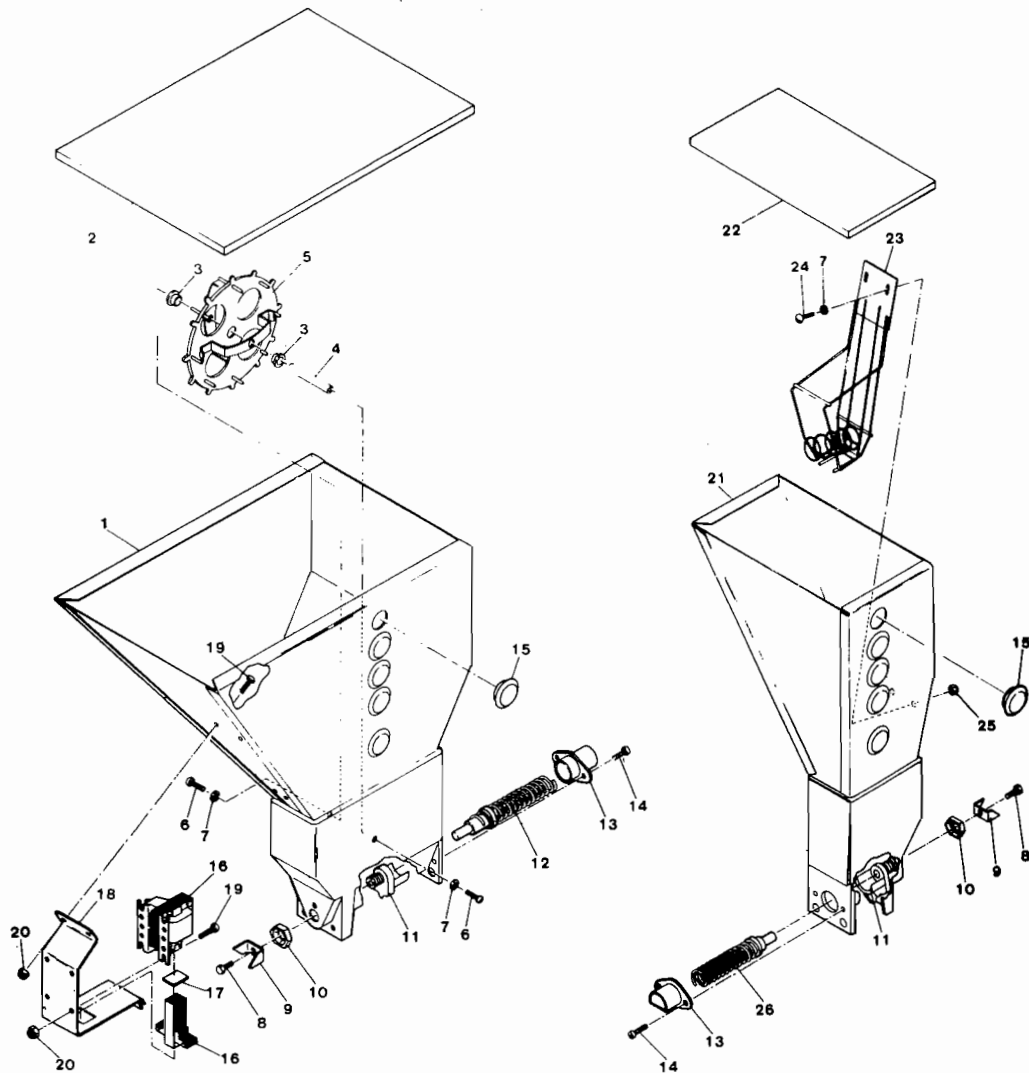


850-LG-DH Canister Assemblies, Coffee

Canister Assembly Coffee with Lid (9 Lb.) - A28889

Canister Assembly Coffee Decaf with Lid (6 Lb.) - A28934

1.	Canister Only (Bottom & Extension 9 Lb.)	P28886	14.	Screw 6/32 x 3/8 FH TP SCP	P21492
2.	Lid Canister Coffee	P28898	15.	Plug, Hole	P17627
3.	Nyliner, Bearing	P14013	16.	Solenoid Asm. Inc. Item 17	A28375
4.	Axle, Wheel.	P14017	17.	Pad, Shock, Solenoid	P27940
5.	Wheel, Commodity	P21034	18.	Bracket, Solenoid	P27935
6.	Screw 6/32 x 3/8 PH PL	P12503	19.	Screw 8/32 x 3/8 PH	P14491
7.	Washer, Flat 6 SCP	P00826	20.	Nut 8/32 Nylock	P21042
8.	Screw, Auger Driver	P25970	21.	Canister Only (Bottom & Extension 6 Lb. Decaf)	P28907
9.	Driver, Auger	P25969	22.	Lid Canister, Coffee, Decaf.	P28908
10.	Nut 5/8 x 11 Pal	P14190	23.	Agitator Asm. Decaf Canister Only	P28921
11.	Bearing, Rear	P14012	24.	Screw 6/32 x 5/16 TH SD	P22194
12.	Auger and Shaft Asm	P14023	25.	Nut 6/32 Nylock	P19927
13.	Spout, Canister	P14011	26.	Auger and Shaft Asm. (Decaf Canister).	P28912

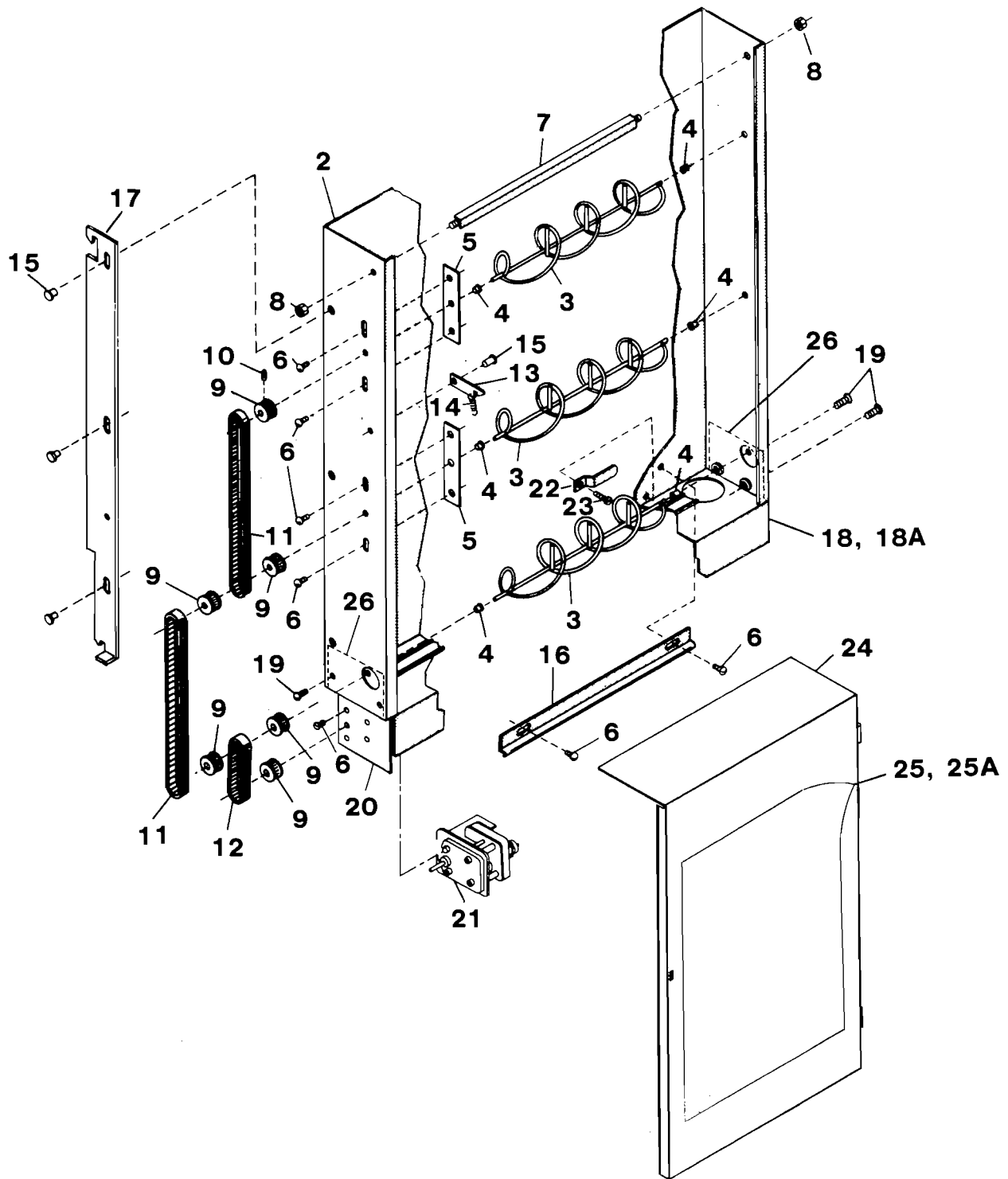


850-LG-DH Canister Assemblies, Coffee

Canister Assembly Coffee with Lid (11 Lb.) - A29409

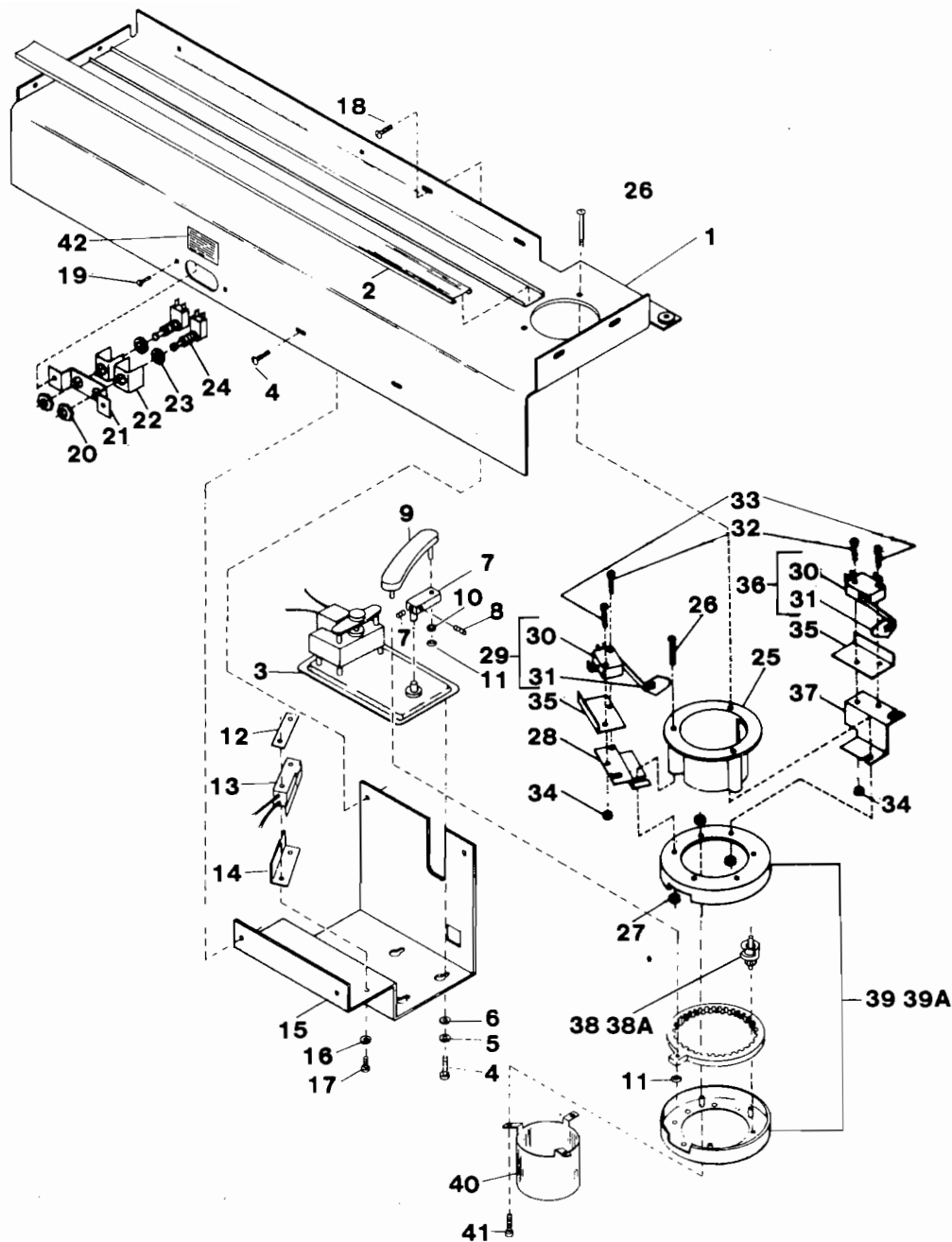
Canister Assembly Coffee Decaf with Lid (4.5 Lb.) - A29410

1.	Canister Only (Bottom & Extension 11 Lb.)	A29399	14.	Screw 6/32 x 3/8 FH TP SCP	P21492
2.	Lid Canister Coffee	P29403	15.	Plug, Hole	P17627
3.	Nyliner, Bearing	P14013	16.	Solenoid Asm. Inc. Item 17	A28375
4.	Axle, Wheel.	P14017	17.	Pad, Shock, Solenoid	P27940
5.	Wheel, Commodity	P21034	18.	Bracket, Solenoid	P27935
6.	Screw 6/32 x 3/8 PH PL	P12503	19.	Screw 8/32 x 3/8 PH	P14491
7.	Washer, Flat 6 SCP	P00826	20.	Nut 8/32 Nylock	P21042
8.	Screw, Auger Driver	P25970	21.	Canister Only	
9.	Driver, Auger	P25969		(Bottom & Extension 4.5 Lb. Decaf)	P29404
10.	Nut 5/8 x 11 Pal	P14190	22.	Lid Canister, Coffee, Decaf	P29408
11.	Bearing, Rear	P14012	23.	Agitator Asm. Decaf Canister Only	P28921
12.	Auger and Shaft Asm	P14023	24.	Screw 6/32 x 5/16 TH SD	P22194
13.	Spout, Canister	P14011	25.	Nut 6/32 Nylock	P19927
			26.	Auger and Shaft Asm. (Decaf Canister).	P28912



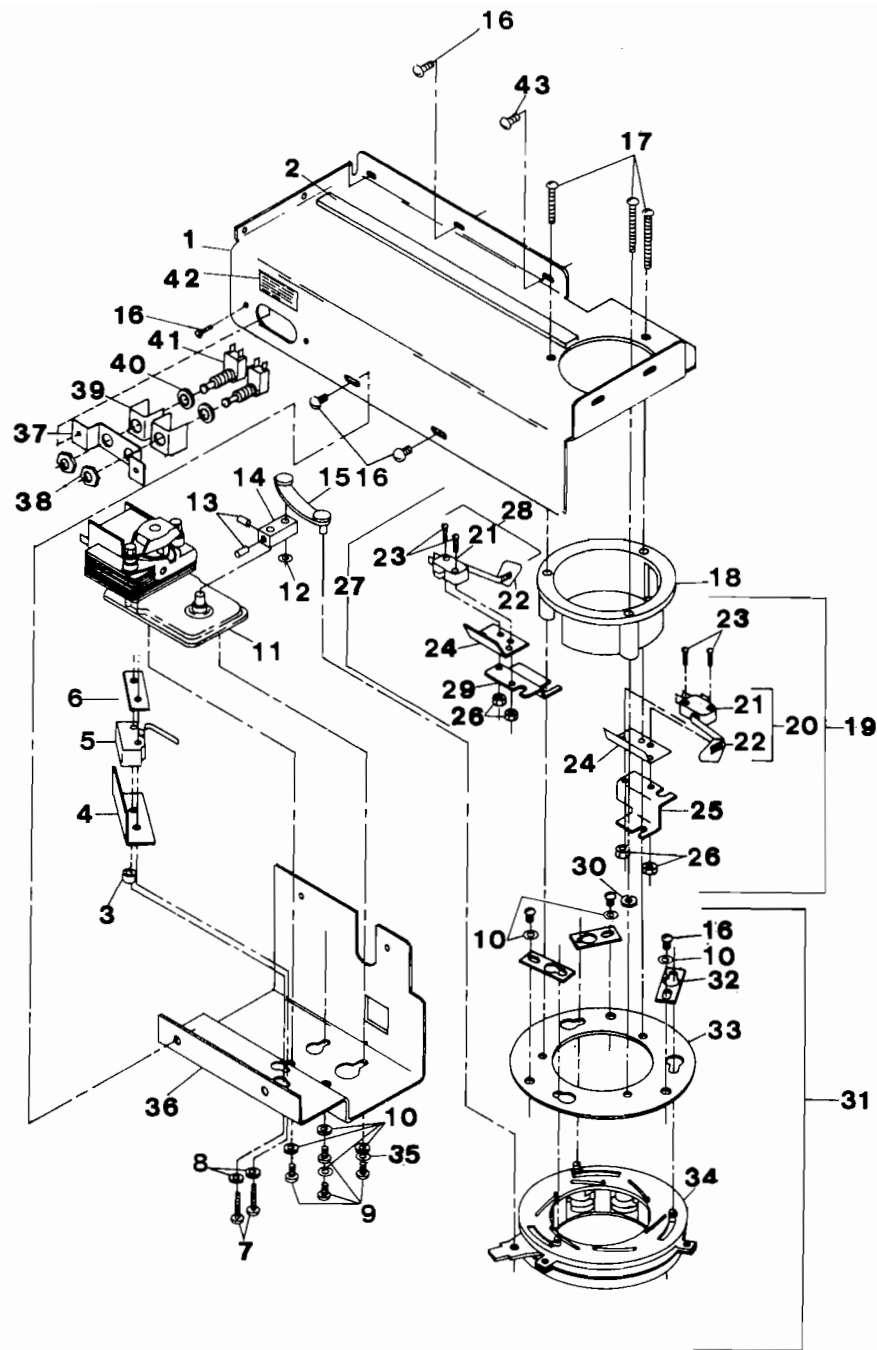
850 CUP DISPENSER ASM

Cup Dispenser Asm, 7 oz (Incl. Items 1, 18 & 19-24)	A23381	14. Spring, Door Latch	P14435
Cup Dispenser Asm, 9 oz (Incl. Items 1, 18A & 19-24)	A23382	15. Rivet, Shoulder	P16769
1. Spiral Asm (Incl. Items 2 thru 7)	A26331	16. Guide, Cup	P18562
2. Wrapper Only, Welded	A26329	17. Bar, Latch	P17059
3. Spiral, Cup	P18163	18. Base Asm, 7 oz Cup Ring	A23393
4. Nyliner	P09257	18A Base Asm, 9 oz Cup Ring	P23394
5. Plate, Adjusting	P16659	19. Screw, #8-32 x 3/8 PHM	P14491
6. Screw, #8-32 x 1/4 PHM	P14487	20. Bracket, Mounting, Spiral Motor	P16694
7. Stiffener, Wrapper	A18557	21. Motor, Spiral	P12203
8. Nut, Kep, #8-32	P11749	22. Guide, Cup, Bottom	P18173
9. Pulley Asm (Incl. Item 10)	A12493	23. Screw, #8-32 x 3/4 PHM	P16748
10. Screw, Set, #10-32 x 3/16	P14807	24. Door Only, Welded	A20144
11. Belt, Timing (22" Long)	P13795	25. Schematic & Notes (Electro-Mechanical)	P26746
12. Belt, Timing (10" Long)	P10213	25A Schematic & Notes (Commoditator)	P25791
13. Latch, Door	P16689	26. Plate, Adapter	P26060



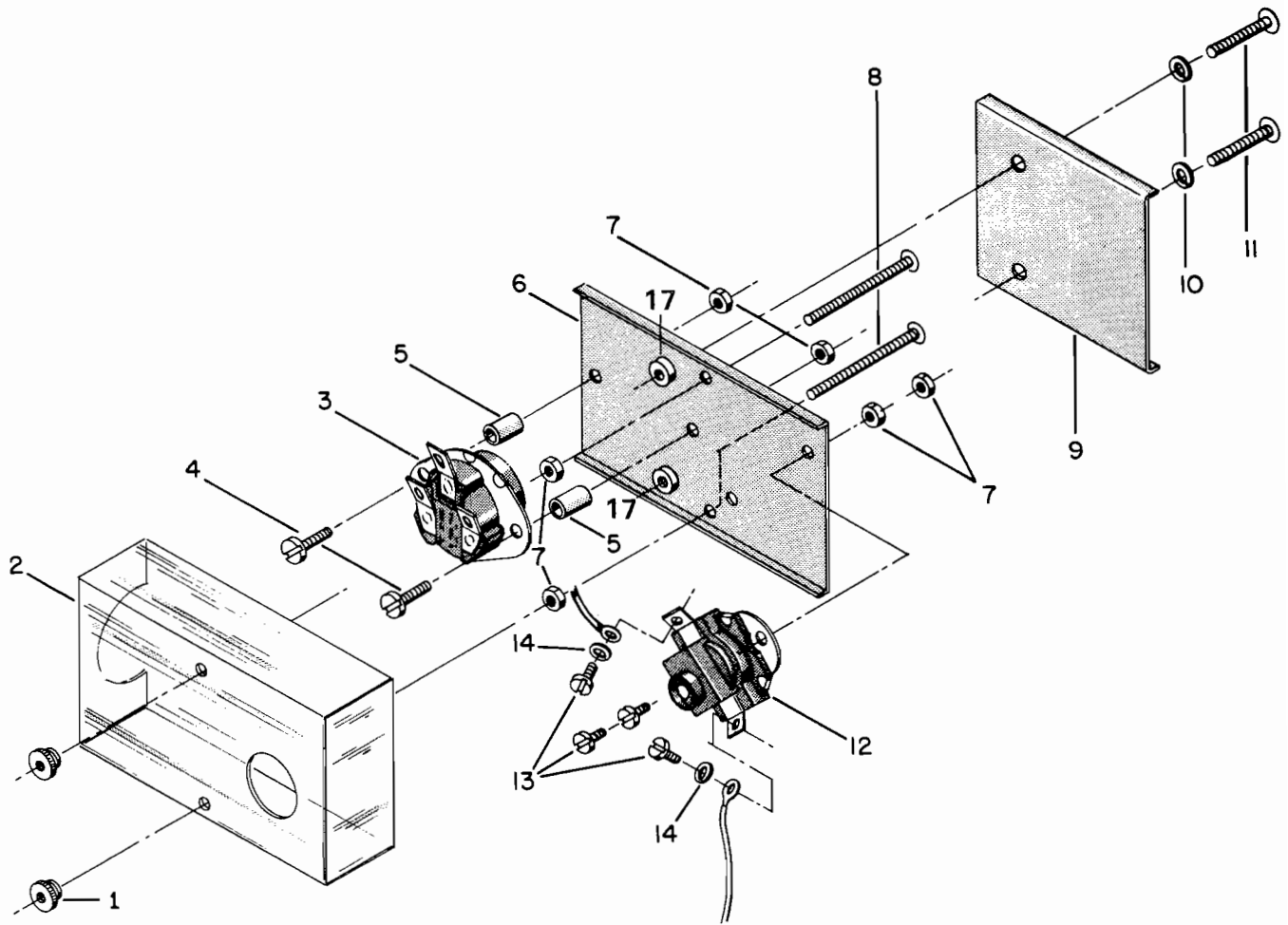
850 DISPENSER BASE NON-ADJUSTABLE

Base Asm, 7 oz. Cup Ring (Incl. 1-37, 39, 40 & 41)	A23393	22. Fishpaper, Flush Switch	P16738
Base Asm, 9 oz. Cup Ring (Incl. 1-37, 39A, 40 & 41)	A23394	23. Nut, Flush Switch.	P19429
1. Base Only, Welded	A21858	24. Switch, Flush	P14572
2. Track, Snap On	P18546	25. Throat, Cup	P16701
3. Motor, Cup Separator	P16038	26. Screw, #10-32 x 2 1/4 THM	P16337
4. Screw, #8-32 x 1/4 PHM.	P14487	27. Nut, Kep, #10-32.	P11750
5. Washer, Lock, #8	P00167	28. Bracket, Sold Out Switch	P25990
6. Washer, Flat, #8	P00961	29. Switch Asm, Sold Out (Incl. Item 30 & 31)	A23371
7. Arm, Crank	P15450	30. Switch (Not Sold Separately)	P22726
8. Screw, Set, #8-32 x 3/16 Long	P03272	31. Actuator	P22727
9. Rod, Connecting	A16657	32. Screw, #4-40 x 5/8 RHM	P22850
10. Washer, Flat, 1/4 I.D. x 5/8 O.D.	P05170	33. Screw, #4-40 x 5/8 RHM (Nylon)	P23406
11. Clip, Push On, 3/16.	P04112	34. Nut, Kep, #4-40	P22849
12. Nut, Twin, #6.	P01179	35. Insulation, Index & Sold Out Switches.	P22728
13. Switch, Cup Drop Motor.	P17081	36. Switch Asm, Index (Incl. Items 30 & 31)	A23370
14. Insulation, Switch.	P17049	37. Bracket, Index Switch	P25989
15. Bracket, Cup Motor & Switch.	P16671	38. Gear, Worm, 7 oz.	P19361
16. Washer, Flat, #6	P00826	38A Gear, Worm, 9 oz.	P19362
17. Screw, #6-32 x 1 1/4 RHM.	P05688	39. Separator, Lisern, 7 oz. Hot (Incl. Item 38)	P16012
18. Screw, #8-32 x 3/8 PHM.	P14491	39A Separator, Lesern, 9 oz. Hot (Incl. Item 38A)	P16013
19. Screw, #8-3/8 H.H., Type "F"	P14806	40. Chute, Cup, Anti-theft	P23752
20. Nut, Hex, 15/32 - 32	P15052	41. Screw, #14 x 3/8, PH, Type "F"	P26572
21. Bracket, Flush Switch	P24867	42. Label, Flush Switch.	P25927



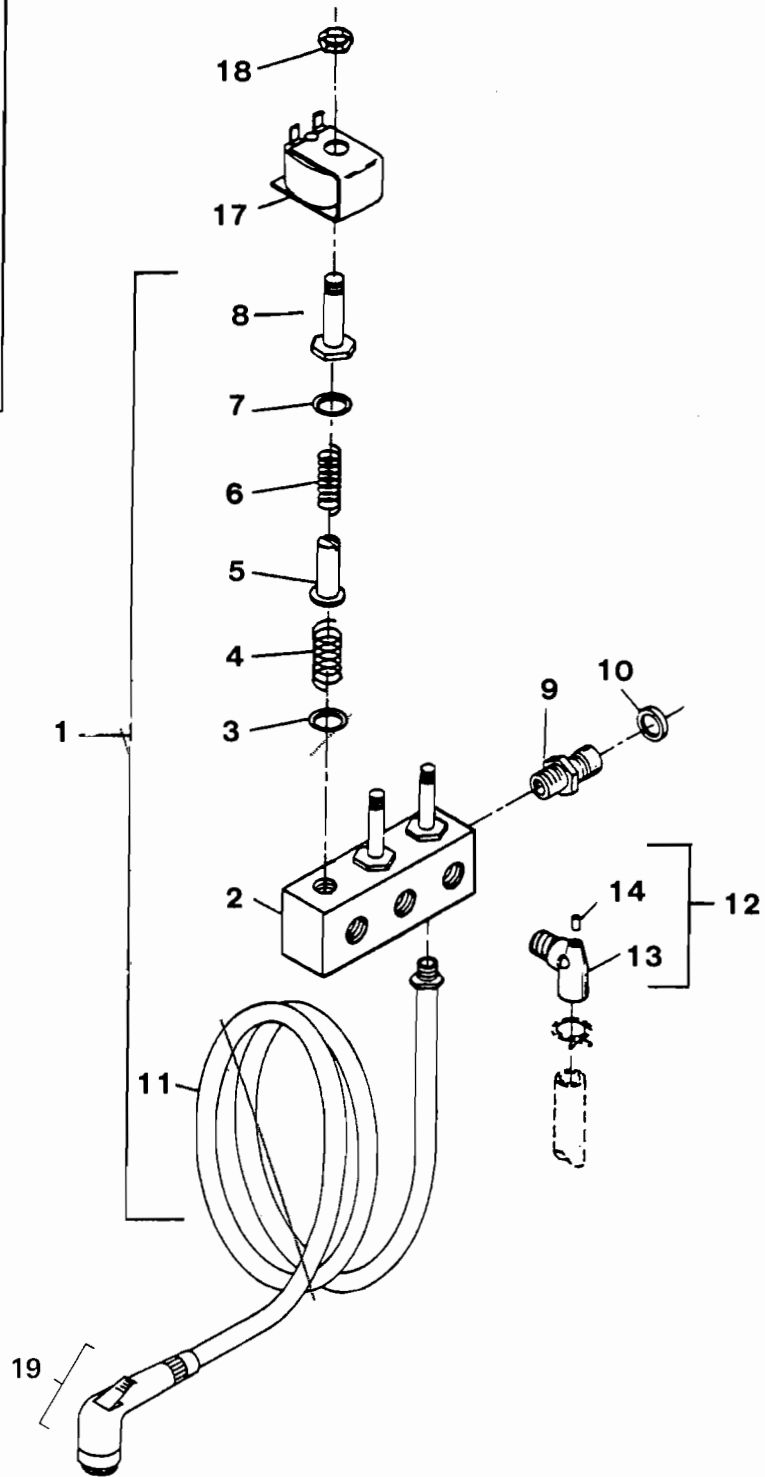
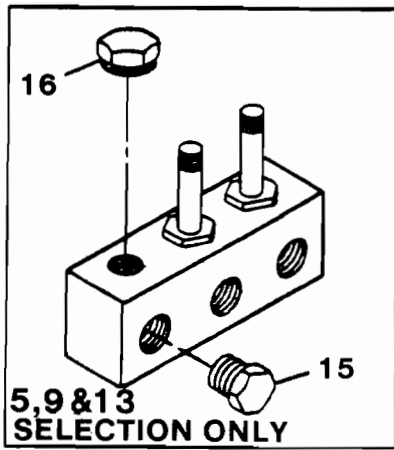
850 DISPENSER BASE ADJUSTABLE

Base Asm, Cup Dispenser, Adjustable	A23396	24. Insulation, Fishpaper, Switch	P22728
1. Base Only, Cup Dispenser	A21858	25. Bracket, Index Switch	P25989
2. Track, Snap-On (23")	P18546	26. Nut, 4-40 Kep	P22849
3. Spacer, Nylon	P19152	27. Switch & Bracket Asm, Sold Out (Incl. Items 23, 24, 26, 28, 29)	A27846
4. Insulation, Fishpaper, Switch	P17049	28. Switch Asm, Sold Out (Incl. Items 21, 22)	A23371
5. Switch, Cup Drop Motor	P09598	29. Bracket, Sold Out Switch	P25990
6. Nut, Twin, 6-32	P01179	30. Washer, Flat #10 Stl. Pltd	P00106
7. Screw, 6-32 x 1 1/2 RH M Pltd	P05688	31. Adjustable Cup Drop & Plate Asm (Incl. Items 10, 16, 32-34)	A19865
8. Washer, Flat #6	P00826	32. Clip, Retainer	P18902
9. Screw, 8-32 x 3/8 PH Pltd	P14491	33. Plate, Mounting, Cup Drop	P18901
10. Washer, Flat #8	P00961	34. Cup Drop, Adjustable, 7 oz.—9 oz.	P18904
11. Motor, Cup Separator, 30 R.P.M.	P16038	35. Washer, Lock #8	P00167
12. Nut, Push-On 3/16	P04112	36. Bracket, Motor Mtg.	P16671
13. Screw, Set #8-32 x 3/16 Nylk.	P03272	37. Bracket, Flush Switch	P24867
14. Arm, Crank, Motor	P18903	38. Nut, 15/32-32 Hex Scp.	P15051
15. Rod, Connecting	P16657	39. Insulation, Flush Button	P16738
16. Screw 8-32 x 1/4 PH Pltd	P14487	40. Nut, Flush Switch.	P19429
17. Screw, 10-32 x 2 RH M Scp	P16336	41. Switch, Flush	P14572
18. Throat, Cup Dispenser	P16701	42. Label, Flush Switch.	P25927
19. Switch & Bracket Asm, Index (Incl. Items 20-26)	A27845	43. Screw, 8-32 x 3/4 PH Pltd	P16748
20. Switch Asm, Index (Incl. Items 21, 22)	A23370		
21. Switch	P22726		
22. Actuator, Switch	P22727		
23. Screw 4-40 x 5/8 RH M Nylon	P23406		



850 Thermostat Assembly, Reservoir System

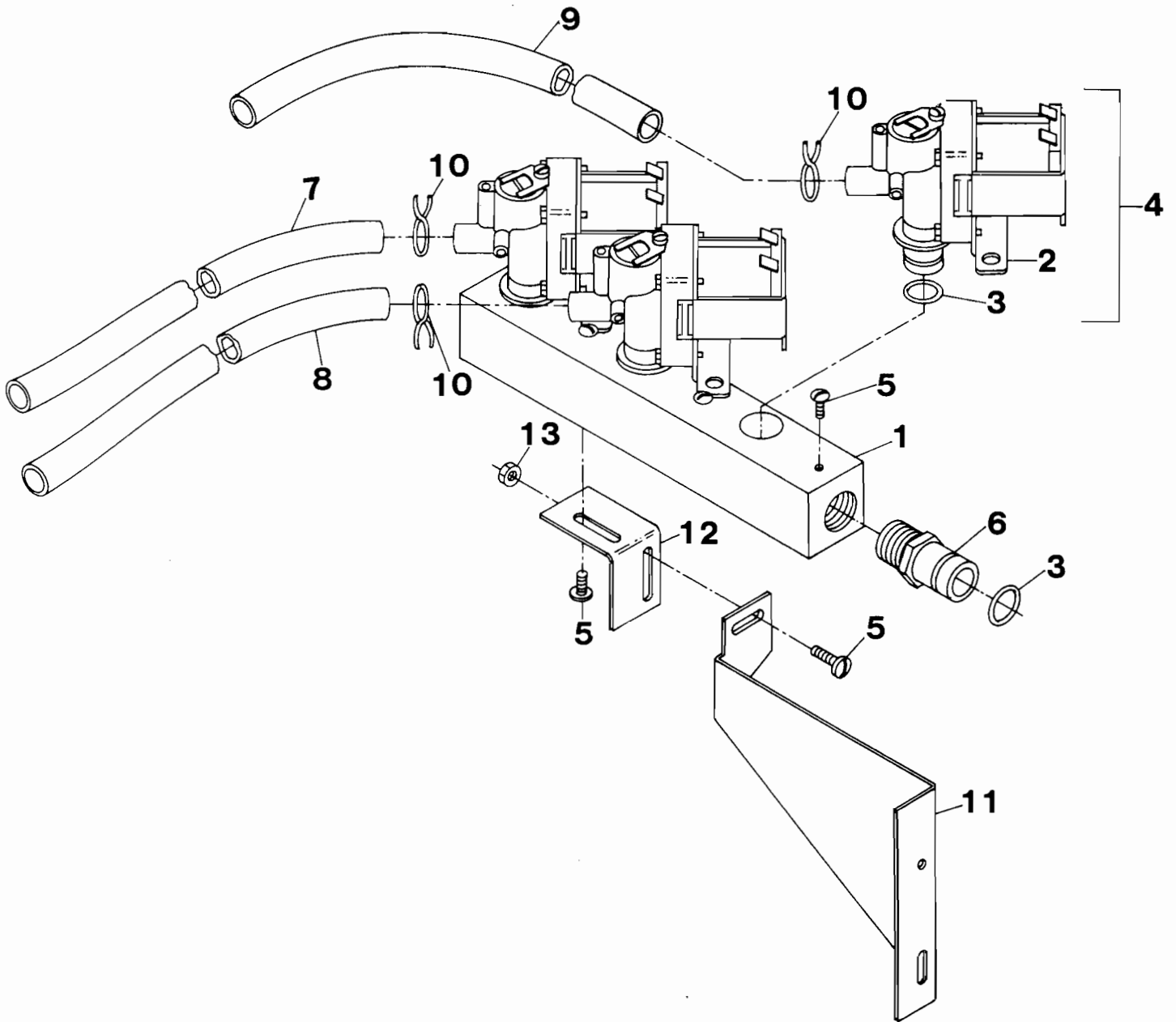
1.	Nut, Knurled, # 6-32	P04862
2.	Cover, Thermo Plate	P14015
3.	Thermostat	P14098
4.	Screw, # 8-32 x 5/8 P.H.	P11325
5.	Spacer	P14089
6.	Thermo Plate	P13965
7.	Nut, Kep, # 6-32	P11745
8.	Screw, # 6-32 x 1 1/4 R.H.	P05954
9.	Clamp, Plate	P13964
10.	Washer, Lock, # 8	P00167
11.	Screw, # 8-32 x 1	P06904
12.	Thermostat, Safety, Manual Reset	P27295
13.	Screw, #8-32 x 1/4 Brass	P00657
14.	Washer, Flat #8	P00961
15.	Thermostat Asm, Wired (Incl. Items 1-14)	A16590
16.	Thermoplate Asm, (Incl. Items 6-11)	A13993
17.	Fastener	P13966
18.	Thermostat 140° - 850 FD ONLY (Not Shown)	P20683



VALVE ASSEMBLY, COMMODITY

- 1. Complete Assembly (Item 1) Not Available. Order individual components as shown OR replace with Eaton Valve Assembly using Conversion Kit A28779.
- 2. Body, Valve P21125
- 3. Ring, "O", Plunger Seat P00522
- 4. Spring, "O" Ring P00631
- 5. Plunger, Outlet Valve P00632
- 6. Spring, Plunger P00255

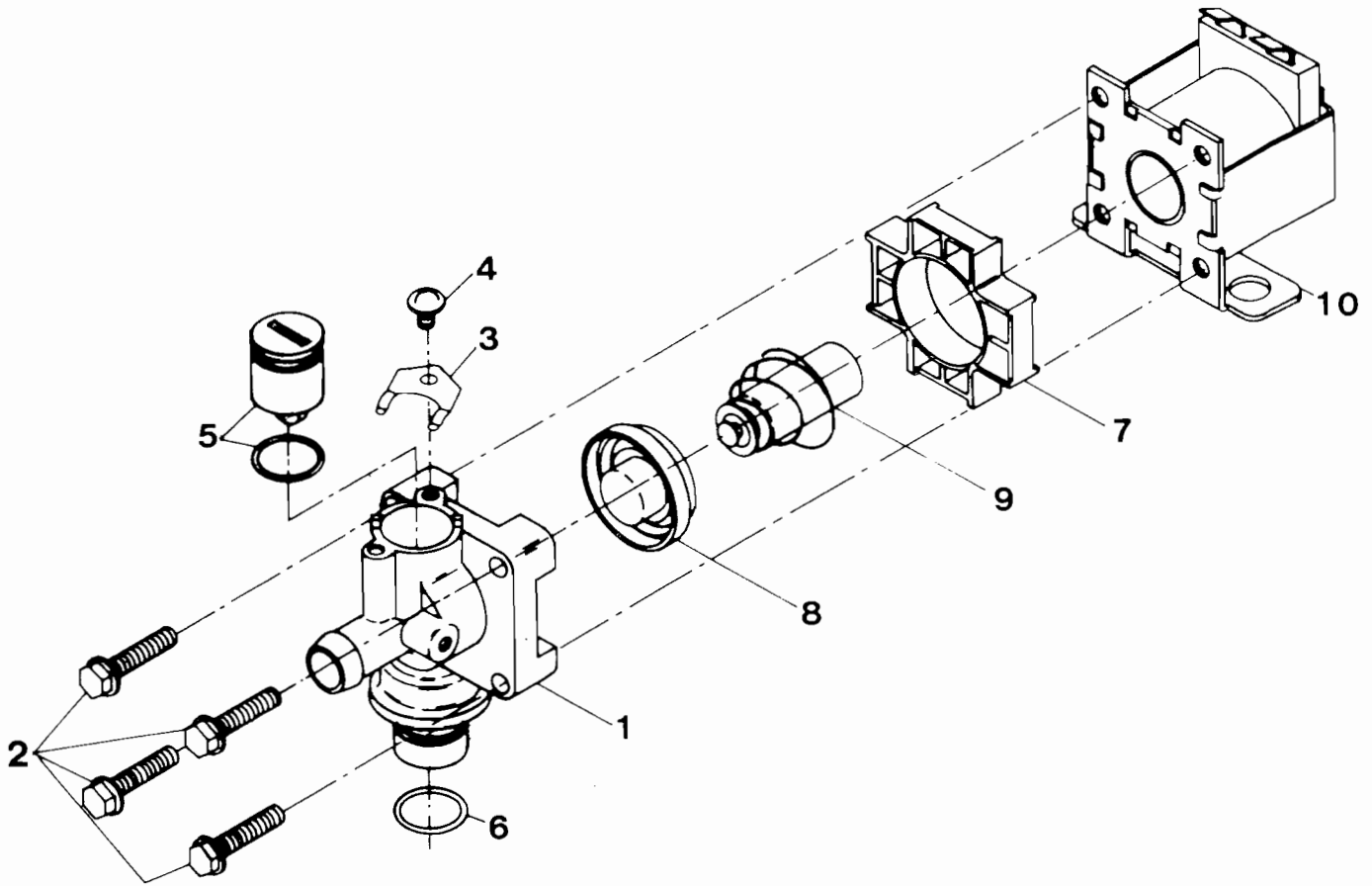
- 7. Ring, "O", Sleeve Seal P00519
- 8. Sleeve A00240
- 9. Adapter P16216
- 10. Ring, "O" P14759
- 11. Hose, Spray, Asm, with Nozzle P14494
- 12. Elbow Asm Vented L/Restrictor, w/Screw A24942
- 13. Elbow, Vented (Not Sold Separately) P24736
- 14. Screw, Flow Control P22183
- 15. Plug, 3/8 MPT P06594
- 16. Plug, Top P22400
- 17. Coil, 120 Volt P05530
- 18. Nut, Pal, 1/2 P00247
- 19. Nozzle (only) for Rinse Hose (Spare Part) P27178



850 EATON COMMODITY VALVE (OLD STYLE)

Complete Assembly not available. Order individual components as shown or replace with current Eaton Valve Assembly using Conversion Kit A28779.

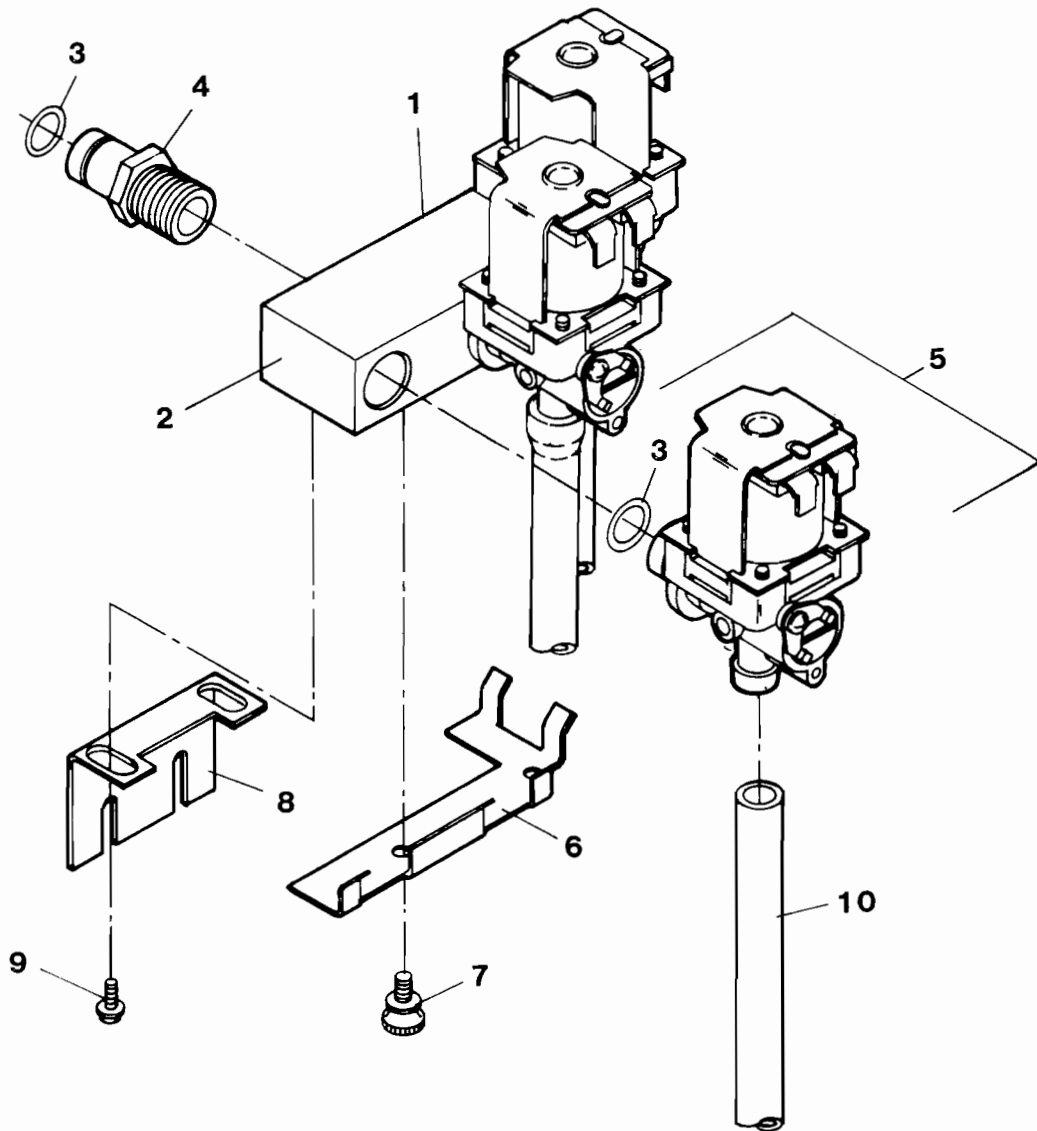
1. Manifold	P24724	5. Adapter	P16216
2. Valve (Part of 4 — Cannot Purchase Separately)	P24588	7. Tube, Choc. Water — PVC — 13" Long.	P09146
3. "O" Ring.	P14759	8. Tube, Soup Water — PVC — 13" Long	P09146
4. Valve Asm (Incl. Items 2 & 3).	A26901	9. Tube, Tea/Coffee Water — Silicone — 16" Long	P19033
5. Screw, #8-32 x 1/4 BHMS.	P22994	10. Clamp, Eaton ER-9.	P08909
		11. Support Bracket, Valve.	P24754
		12. Bracket, Valve.	P24753
		13. Nut, #8-32 Kep.	P11749
		14. INSTRUCTIONS for Installation of Kit A28779	P28806



VALVE ASSEMBLY, EATON (OLD STYLE)

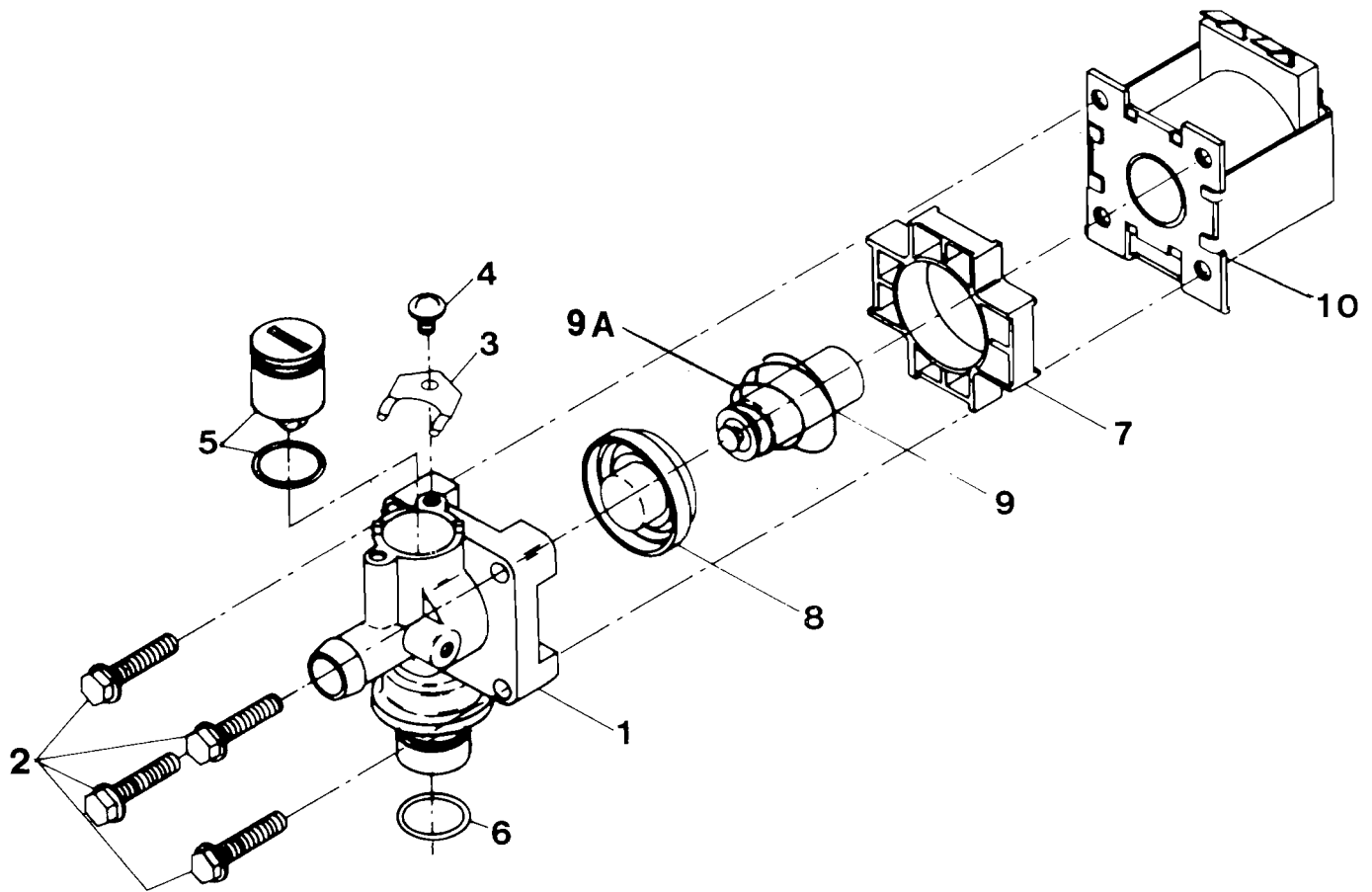
Eaton Valve Assembly	A26901	6. "O" Ring	P14759
1. Body, Valve	P27786	7. Adapter	P27787
2. Screw, Mounting	P27791	8. Diaphragm	P27793
3. Clip	P27794	9. Armature Asm.	P27789
4. Screw, Locking	P27792	10. Coil Asm.	P27790
5. Adjusting Screw Asm.	P27788		

Only items 1, 5, 6, 8, 9 & 10 are stocked by RMI Parts Dept.



Manifold & Valve Assembly – Eaton

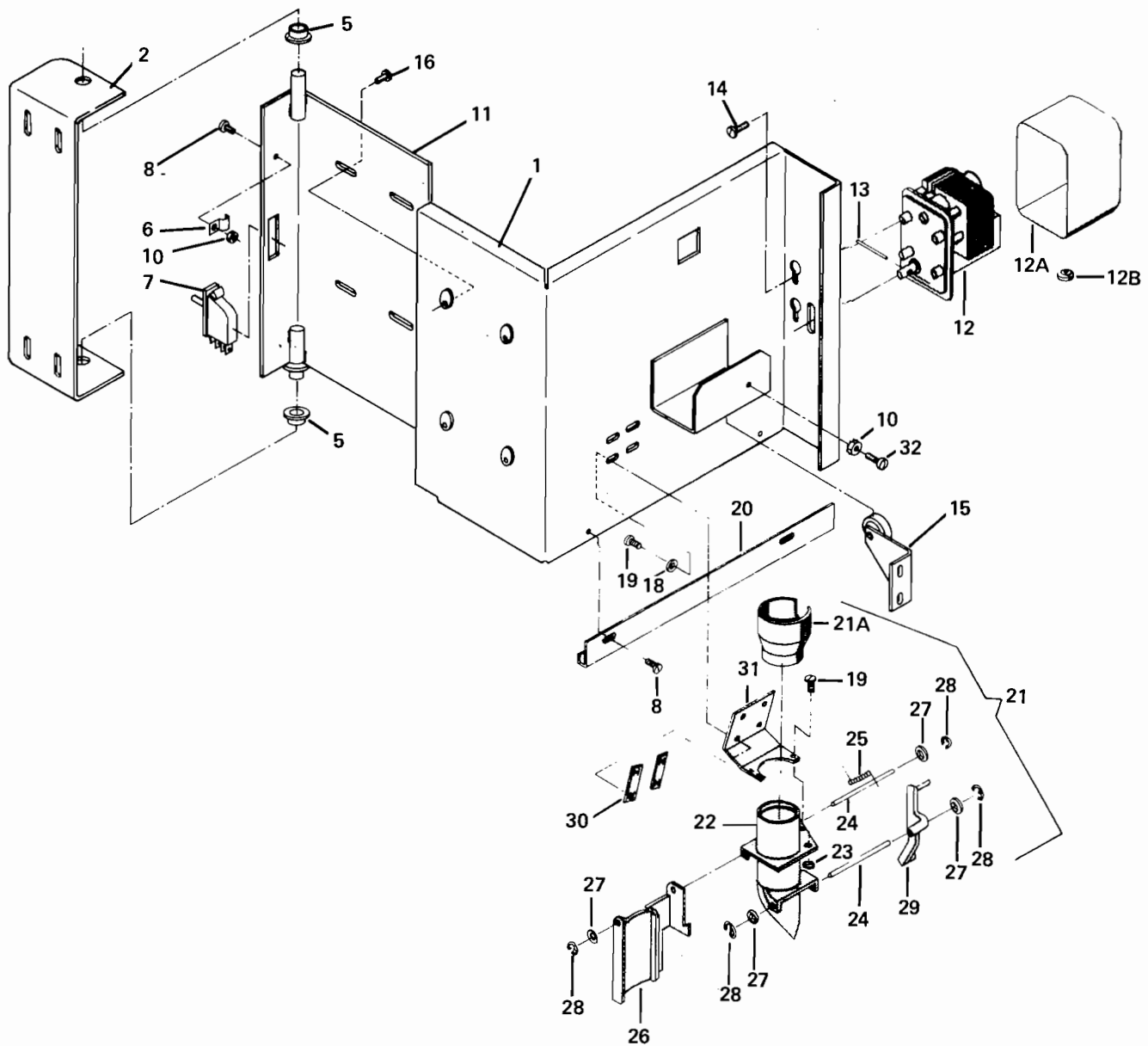
1.	Manifold and Valve Asm. Inc. Items 1-7A28808	6.	Bracket, Valve RetainerP28667
2.	Manifold, Block OnlyP28522	7.	Screw, Bracket RetainerP29140
3.	“O” RingP14759	8.	Bracket, Manifold RetainerP28614
4.	AdapterP16216	9.	Screw 8/32 x 3/8 HH STP14806
5.	Valve Asm. Eaton.A28672	10.	Tube Silicone (Per Ft.)P19033



Valve Assembly, Eaton — A28672
 Less Attached Retainer On Coil

Eaton Valve Assembly		
1. Body, Valve	P27786	6. "O" Ring. P14759
2. Screw, Mounting	P27791	7. Adapter P27787
3. Clip	P27794	8. Diaphragm P27793
4. Screw, Locking	P27792	9. Armature Asm. P27789
5. Adjusting Screw Asm.	P27788	9A. Spring Only, Armature P29104
		10. Coil Asm. P27790

Only Items 1, 5, 6, 8, 9, & 10 are stocked by RMI Parts Dept.

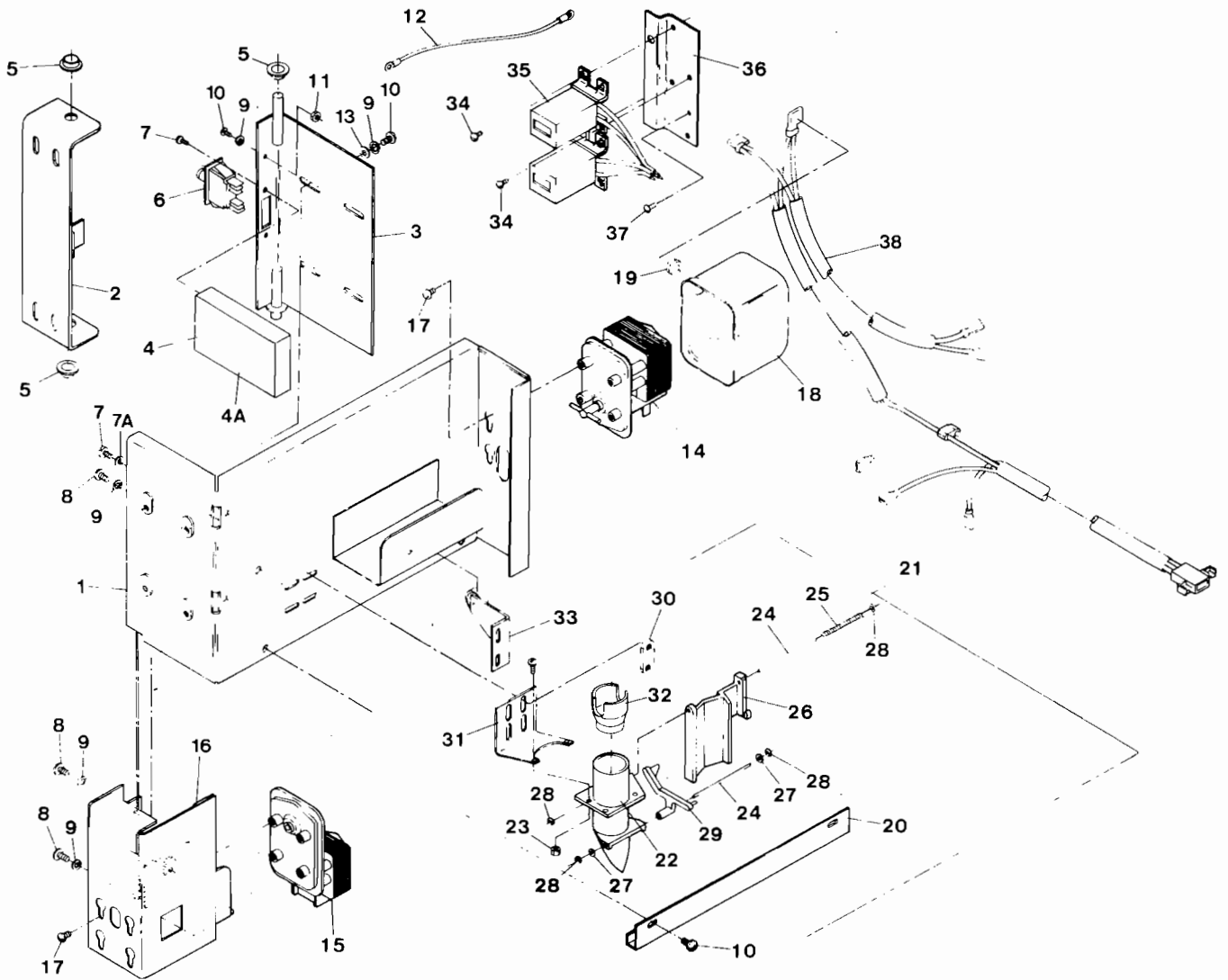


Coffee Hopper Support Rack (After 3/6/79)

Bracket Asm, Coffee Hopper (Incl. Items 1-32) . . . A24934

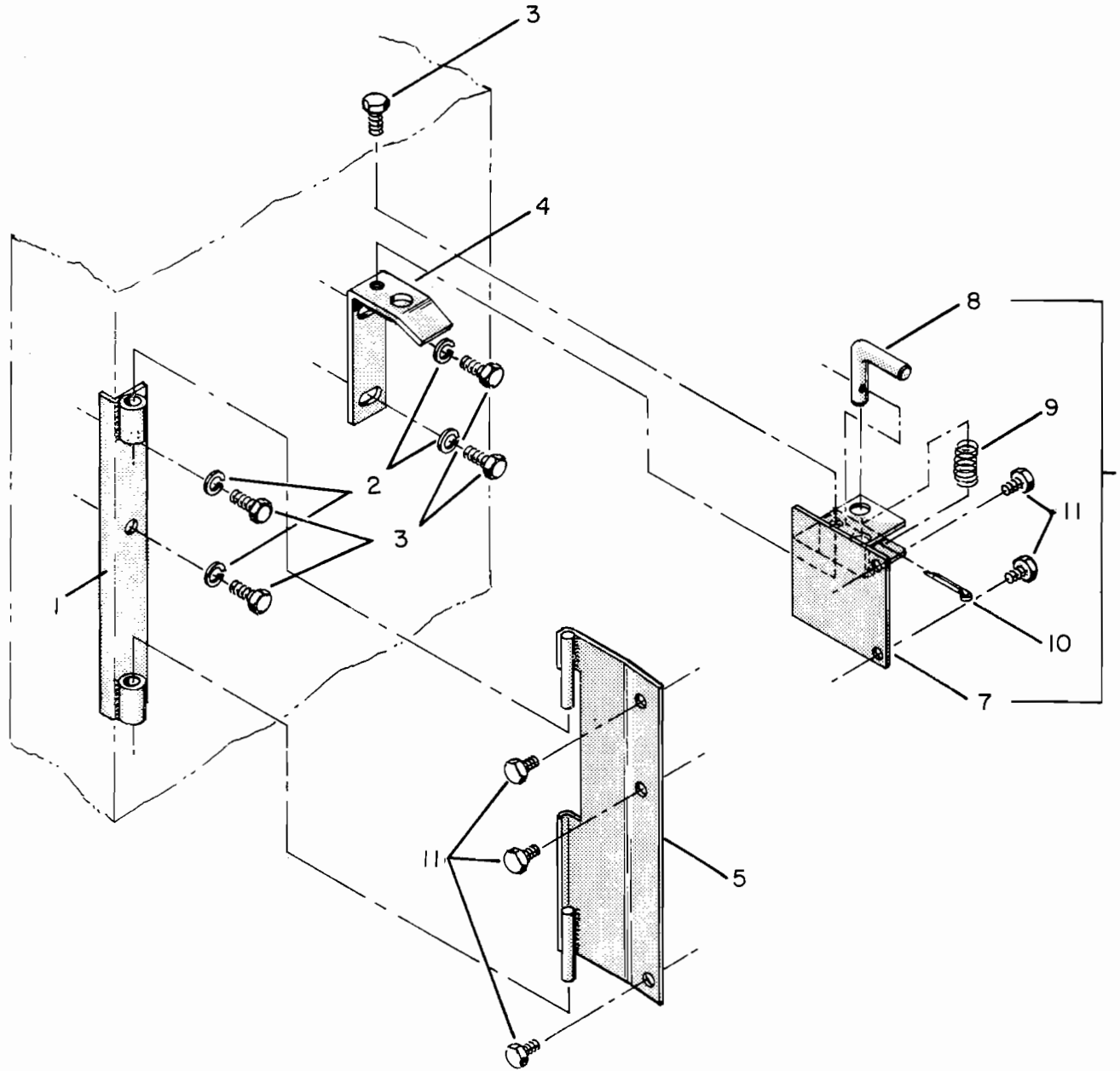
- 1. Bracket Only, Coffee Hopper. A24558
- 2. Bracket Asm, Hinge Mounting A24563
- 3. Plate, Keeper P18819
- 4. Screw, # 8-32 x 1/2 P.H. P11073
- 5. Nyliner P14412
- 6. Clamp, Cable P17587
- 7. Switch, Safety P15675
- 8. Screw, # 8-32 x 3/8 P.H. P14491
- 9. Screw, # 8-32 x 3/8 H.H.S.T. P14806
- 10. Nut, Kep, # 8-32 P11749
- 11. Plate Asm, Hinge. A24560
- 12. Motor, Coffee. P22731
- 12A Cover, Motor P14426
- 12B Grommet, 1/4" P03593
- 13. Pin, Roll 1/8 x 1 1/2 S.S. P15628
- 14. Screw, # 8-32 x 1/4 P.H. P14487
- 15. Bracket Asm, Coffee Hopper Positioning A18853
- 16. Screw, # 8-32 x 3/8 B.H. SCP P09258

- 17. Washer, Plain, # 8 SCP P00961
- 18. Washer, Plain, # 6 P00826
- 19. Screw, # 6-32 x 1/2 P.H. P00054
- 20. Cable Guide P18360
- 21. Chute Asm, Coffee A15332
- 21A Funnel, Coffee Chute. P14355
- 22. Chute, Coffee P14382
- 23. Nut, Kep, # 6-32 P11745
- 24. Shaft, Tripper. P16383
- 25. Spring, Coffee Chute Door P16384
- 26. Door, Coffee Chute P14377
- 27. Washer, Plain P14480
- 28. Ring "E". P14481
- 29. Tripper, Coffee Chute P14350
- 30. Nut, Tinnerman, # 6. P01179
- 31. Bracket, Coffee Chute P18365
- 32. Screw, # 8-32 x 1 B.H.M.S. P16773



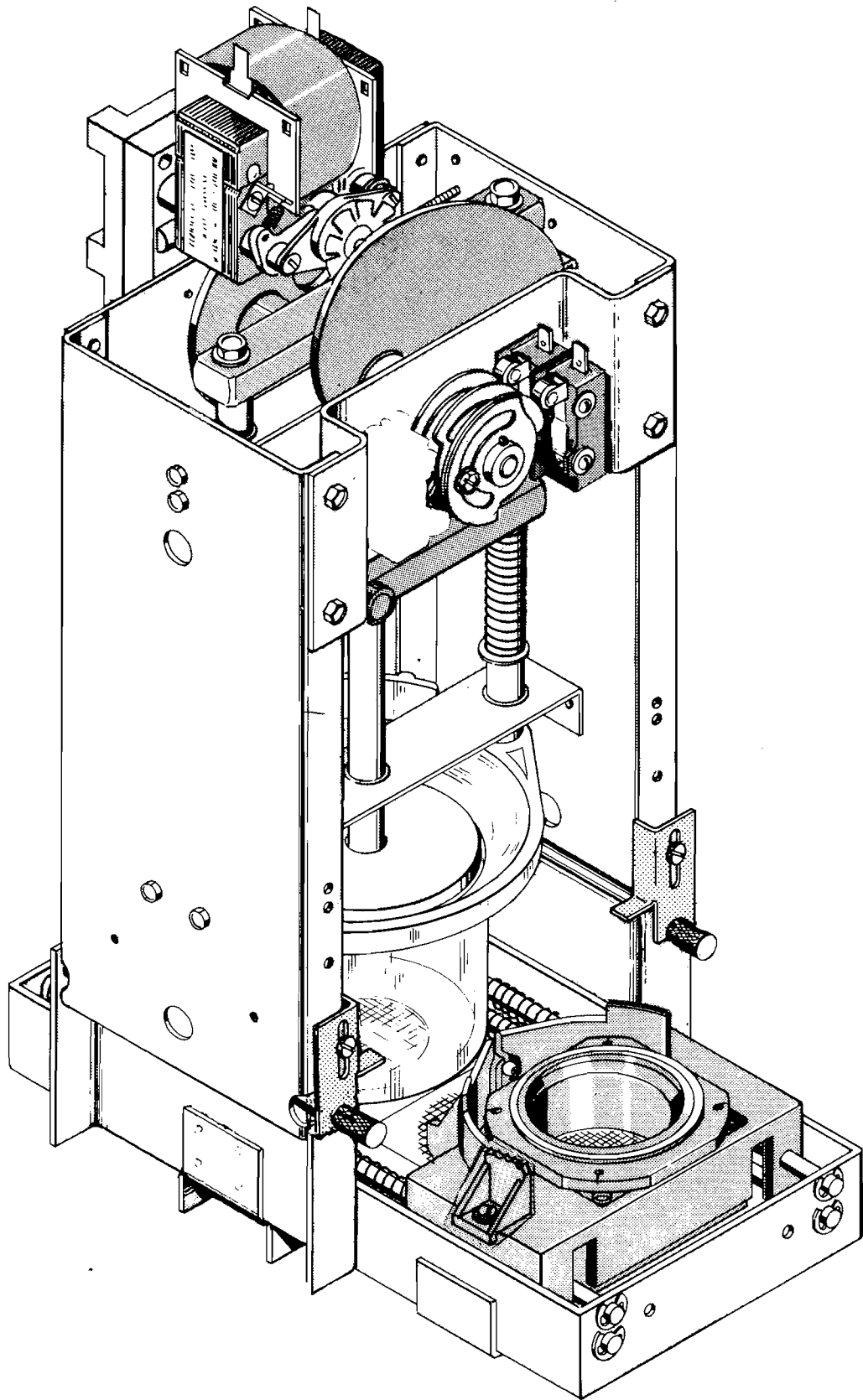
BRACKET ASSEMBLY COFFEE HOPPER 850-DH – A28951

1. Bracket Only, Coffee Hopper	A24558	19. Grommet, 1/4"	P03593
2. Bracket Asm. Hinge Mounting	A24563	20. Cable Guide	P18360
3. Plate Asm. Hinge	A24560	21. Chute Asm. Coffee, DH	A28955
4. Cover Asm. Wiring and Switch	P28924	22. Chute, Coffee	P14382
4A Grommet 3/8 x 5/8 (Not Shown)	P02083	23. Nut, Kep, #6-32	P11745
5. Nyliner	P14412	24. Shaft, Tripper	P16383
6. Switch, Safety, Intrlk.	P17759	25. Spring, Coffee Chute Door	P16384
7. Screw, #6-32 x 1/2 PH	P00054	26. Door, Coffee Chute	P14377
7A Washer Flat #6 SCP.	P00826	27. Washer, Plain	P14480
8. Screw, #8-32 x 1/4 HH WA F SCP	P23660	28. Ring "E"	P14481
9. Washer lock, #8 Split SCP.	P00167	29. Tripper, Coffee Chute	P14350
10. Screw, #8-32 x 1/2 PH M PL	P11073	30. Nut, Tinnerman, #6.	P01179
11. Nut, Kep, #8-32	P11749	31. Bracket, Coffee Chute	P18365
12. Jumper Asm. Hopper-Cab (Ground Wire).	P26121	32. Funnel, Coffee Chute DH	P28901
13. Washer, Flat #12.	P28468	33. Bracket Asm, Coffee Hopper Positioning	A18853
14. Motor, Coffee Auger	P22731	34. Screw, #6-32 x 3/16 PH SCP.	P17655
15. Motor, Coffee Auger, Decaf	P28960	35. Counter, 120V – USA	P17304
16. Rack Asm. Coffee Hopper 850-DH	P28881	36. Bracket, Counter, 850-DH.	P28897
17. Screw, #8-32 x 1/4 PH	P14487	37. Screw, #8-32 x 3/8 HHST.	P14806
18. Cover, Motor	P14426	38. Harness Asm, Cof Hpr Bracket DH	A28947



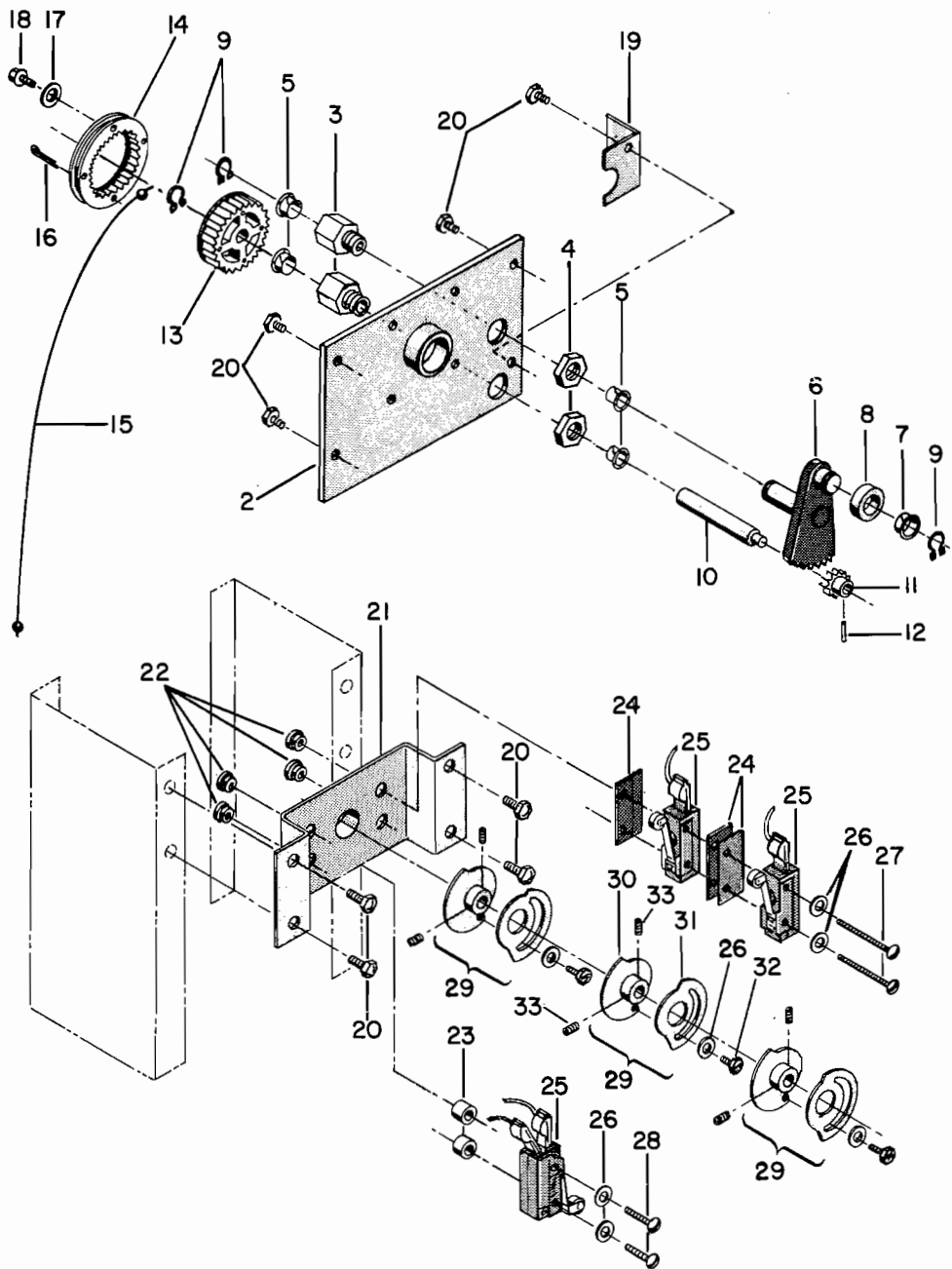
850 Brewer Swing Out Mounting Brackets

- | | | |
|-----|---|--------|
| 1. | Hinge Asm, Tank Section | A16646 |
| 2. | Washer, Lock, Split Type, ¼ Plated | P00624 |
| 3. | Screw, ¼-20 x ½ Long, H.H., Cap, Plated | P10228 |
| 4. | Bracket, Latch, Tank Sect. | P16641 |
| 5. | Hinge Asm, Brewer Section | A18306 |
| 6. | Latch Asm, Complete (Incl. Items 7–11) | A18343 |
| 7. | Bracket, Latch, Welded | A19011 |
| 8. | Pin, Latch | P16642 |
| 9. | Spring | P16640 |
| 10. | Pin, Cotter, 1/16 x 5/8 S.S. | P14748 |
| 11. | Screw, # 10-32 x 3/8 H.H. S.T. Plated | P14805 |



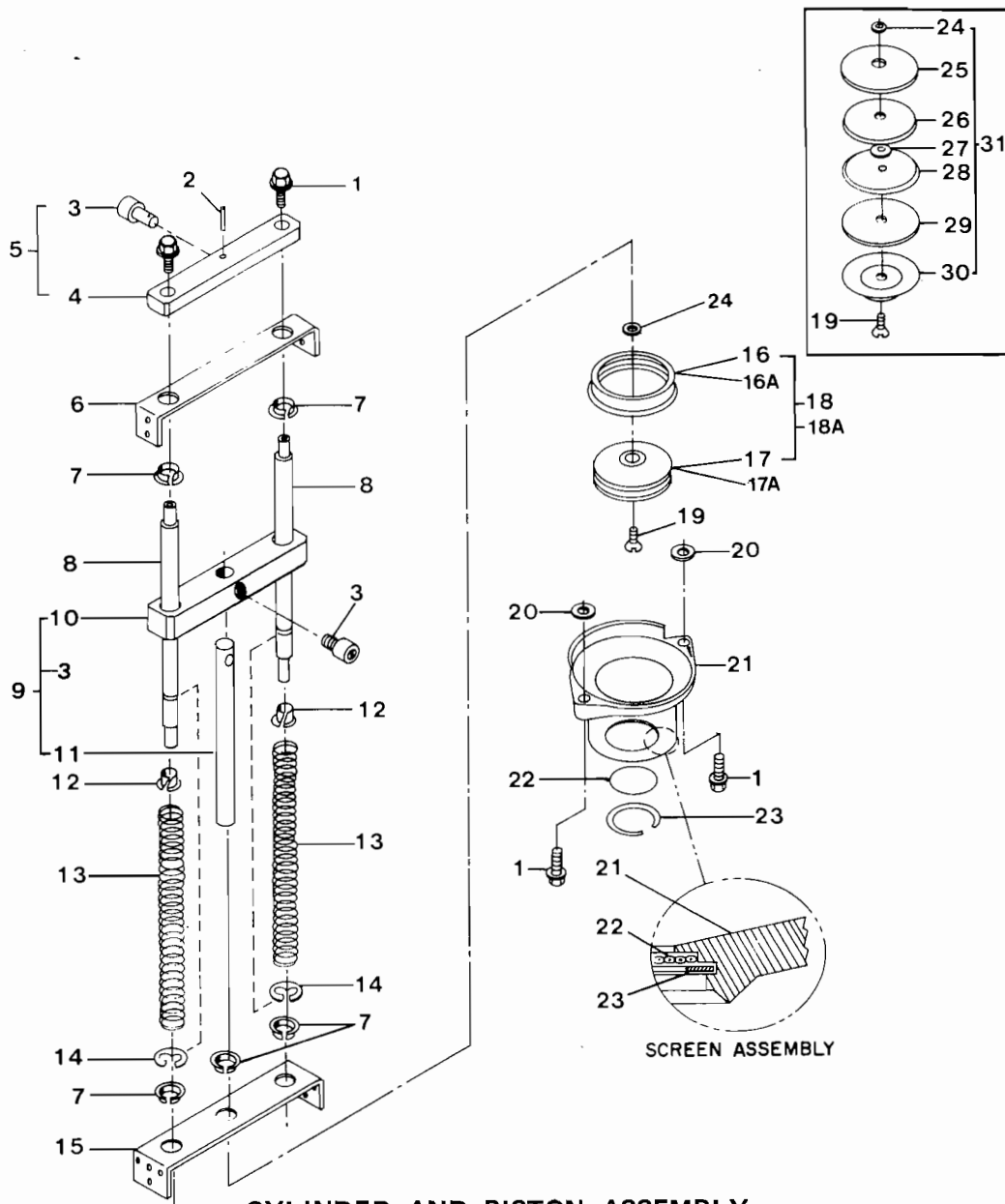
850 Brewer Assembly

Brewer Equipped w/2 Switches & Cams. A19000



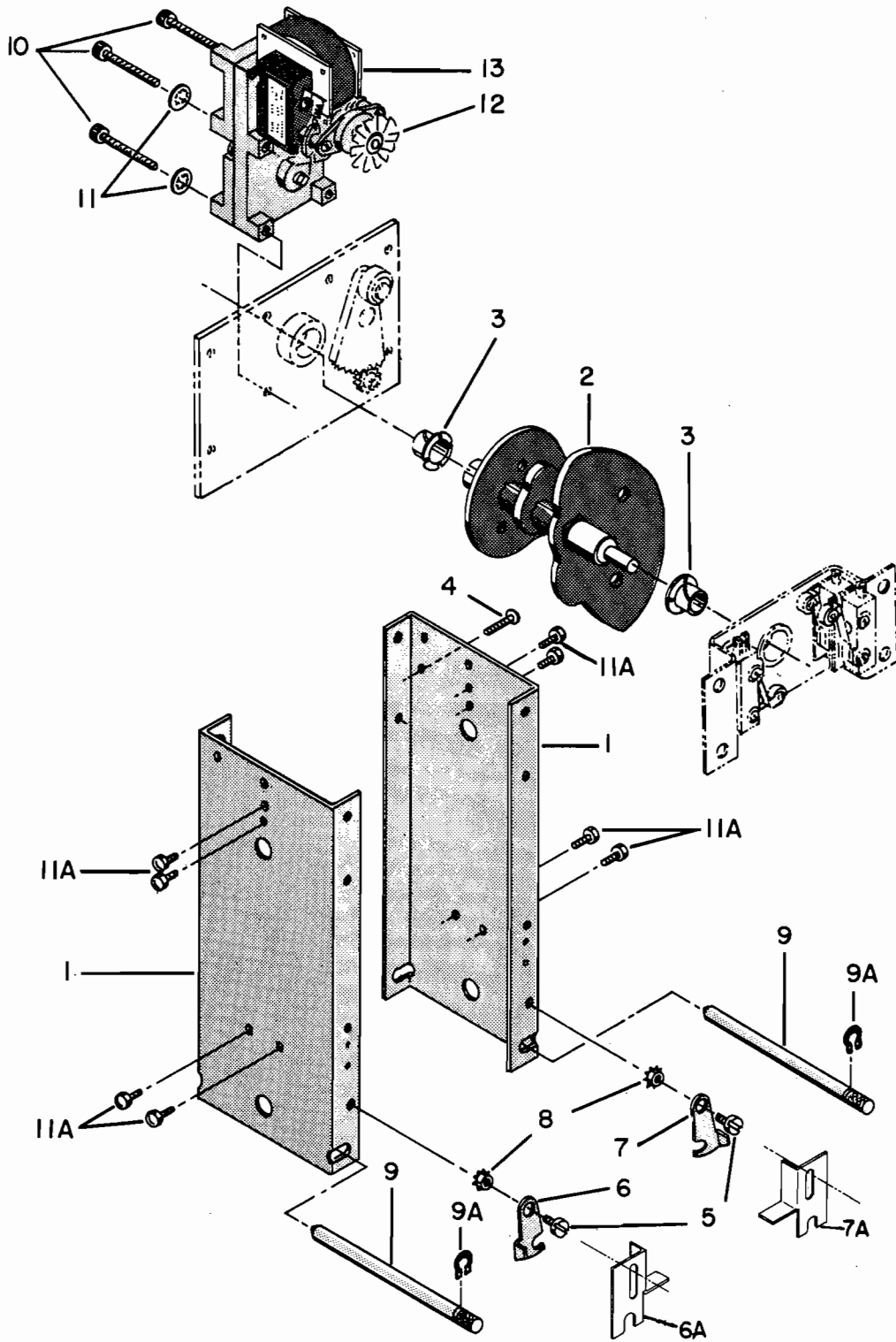
850 Back Plate and Front Channel Assembly

1. Panel Asm, Brewer, Back, Complete	A18970	17. Washer, Flat, # 8 Plated	P00961
(Incl. Items 2-18)		18. Screw, # 8-32 x 3/8 S.T.H.H.	P14806
2. Panel, Back Asm	A17531	19. Guard, Brewer Cable	P17356
3. Sleeve, Bearing	P17683	20. Screw, # 10-32 x H.H. S.T. Plated	P14805
4. Nut	P00822	21. Channel Asm, Front Brewer	A18971
5. Nyliner, Bearing, 6L6F	P16058	22. Insulator, Threaded	P17848
6. Gear Asm, Segment	A15522	23. Spacer	P17874
7. Nyliner, Cam Follower, Special	P16438	24. Insulator, Spacer	P19557
8. Cam Follower	P15512	25. Switch, Unimax (not used)	P17583
9. Ring, Retaining, Waldes 5100-37MD	P07296	26. Washer, Flat, #6	P00826
10. Shaft, Pinion	P15521	27. Screw, # 6-32 x 1 1/4 H.H. Plated	P17428
11. Pinion, Gear	P15520	28. Screw, # 6-32 x 1 1/2 R.H. Plated	P17429
12. Pin, Roll, 3/32 x 1/2 S.S.	P14511	29. Cam Asm, Complete	P13147
13. Spool, Hub	P15554	30. Cam w/Hub, Stationary	P13151
14. Spool	P15553	31. Cam, Slotted	P13152
15. Cable Asm, Slow Return	A17404	32. Screw, # 6-32 x 1/4 H.H.S.T. Plated	P13154
16. Pin, Cotter, 1/16 x 3/4 S.S.	P17412	33. Screw, # 6-32 x 3/16 Socket Set, Cup Point	P00652



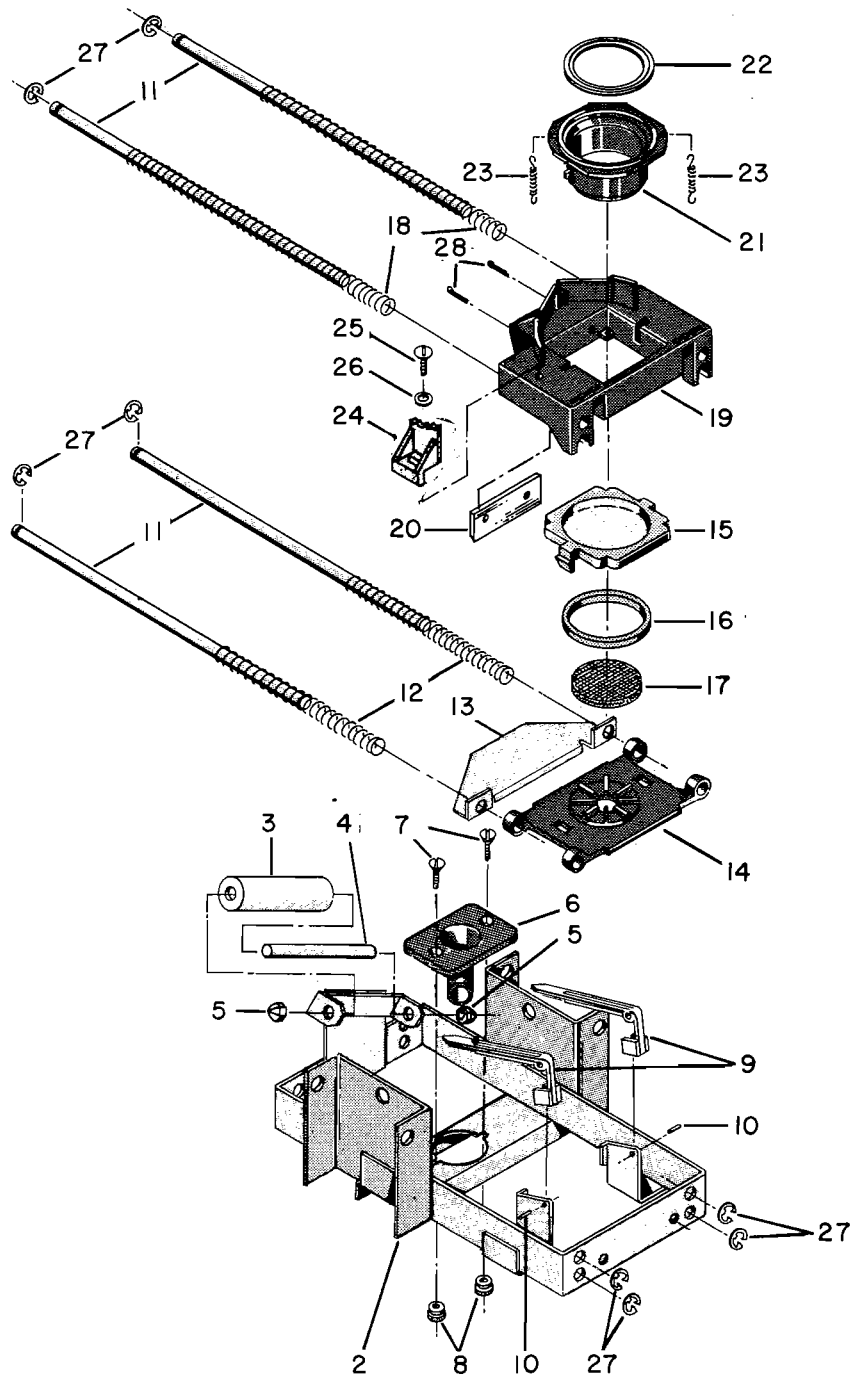
CYLINDER AND PISTON ASSEMBLY

- | | | | |
|--|--------|---|--------|
| 1. Screw ¼-20 x ½ H.H. Washer Faced | P17415 | 17. Piston, Molded, Black. | P27294 |
| 2. Pin, Spring 1/32 x ½ S.S. | P14511 | 17A Piston, Molded, Red. | P29481 |
| 3. Follower, Cam | P11947 | 18. Piston Asm. Complete (Incl. Items 16,17 & 24) | P27810 |
| 4. Bridge, Cylinder | P17324 | 18A Piston Asm. Complete | |
| 5. Bridge Asm, Complete (Incl. Items 2, 3 & 4) | A18996 | (Incl. Items 16A, 17A & 24) | P29483 |
| 6. Guide Top Support | P17326 | 19. Screw ¼-20 x 1¼ FHST Nylock | P12716 |
| 7. Nyliner, 8L2FF. | P17402 | 20. Washer, Special, Cylinder | P13839 |
| 8. Rod, Cylinder. | P17322 | 21. Cylinder, LG Only. | P14394 |
| 9. Bridge, Asm, Piston (Incl. Items 3,10 & 11) | A18997 | 22. Screen, Cylinder, LG Only | P14395 |
| 10. Bridge, Piston | P17323 | 23. Ring, Retainer | P14543 |
| 11. Rod, Piston | P17327 | 24. Gasket, Rod Seal. | P13085 |
| 12. Nyliner, 8L12F. | P17403 | 25. Plate, Support Upper | P11847 |
| 13. Spring. | P11956 | 26. Seal, Teflon | P11885 |
| 14. Ring, Retaining. | P17426 | 27. Washer, Special, Piston | P17427 |
| 15. Bracket, Bottom Guide. | P17325 | 28. Expander, Silicone. | P11884 |
| 16. Seal, Silicone Red or Gray | | 29. Plate, Expander. | P11886 |
| (Used with BLACK PISTON Only) | P27352 | 30. Plate, Bottom | P15359 |
| 16A Seal, Silicone White | | 31. Piston Asm. Complete (Incl. Items 24-30 & 19) | P18972 |
| (Used with RED PISTON Only) | P29482 | | |



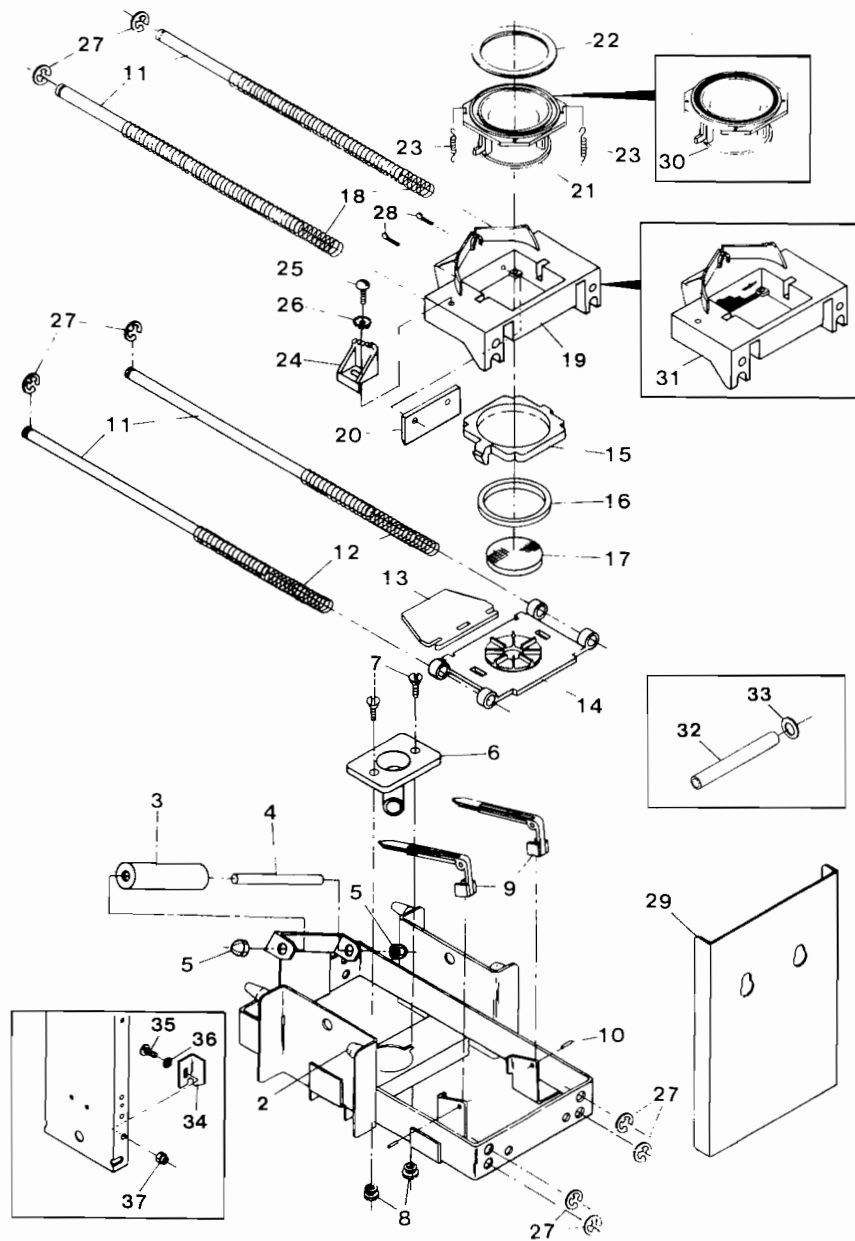
850 Brewer Main Frame Assembly

1. Channel, Brewer Side	P17332	8. Nut, Kep, # 8-32	P11749
2. Cam Asm	A17519	9. Pin, Drop	P16320
3. Nyliner, 12L12	P17425	9A Ring, Retaining, Waldes 5100-37-D.	P07296
4. Screw, Segment Stop, # 8-32 x 1 1/4 R.H. Plated	P17413	10. Screw, # 10-32 x 2", Socket Head Cap.	P17846
5. Screw, # 8-32 x 3/8 P.H. Plated	P14491	11. Washer, Lock Shakeproof, 1210 Cad. Plated	P17423
6. Latch, L.H. (Use item 6A).	P13785	11A Screw, H.H., # 10-32 x 3/8 S.T.	P14805
6A Latch, L.H. (Replaces P13785)	P19219	12. Blade (Applicable Motors Only)	P17584
7. Latch, R.H. (Use item 7A)	P11836	13. Motor, 120V, 60 Hz	P17365
7A Latch, R.H. (Replaces P11836)	P19220		



850 Brewer Base Assembly

1. Base Asm, Complete (Incl. Items 2-28)	A19525	15. Filter	P16721
2. Frame Asm, Base	A17872	16. Seal, Ring Filter	P16724
3. Idler, Roller	P14370	17. Screen, Support, Filter	P16723
4. Shaft, Idler	P16291	18. Spring, Carriage Return	P15528
5. Push Nut, Palnut	P16419	19. Carriage, Brew	P15018
6. Funnel	P17898	20. Blade, Wiper	P14349
7. Screw, # 6-32 x 1/2 F.H.S.S.	P15022	21. Chamber, Brew	P14372
8. Nut, Thumb, # 6-32	P04862	22. Seal, Brew Cavity	P12798
9. Pawl	P15019	23. Spring, Brew Chamber	P14435
10. Pin, 1/16 x 1/4 S.S.	P14780	24. Tripper, Ratchet	P18237
11. Rod, Carriage & Filter Support	P14344	25. Screw, # 6-32 x 3/8 S.T. Pan, Plated	P19856
12. Spring, Filter Return	P14354	26. Washer, Lock, 1606 External	P18246
13. Cover, Funnel (Replaced by P27926)		27. Ring, Retaining	P14499
14. Bracket, Filter (Replaced by P28020)		28. Pin, Cotter, 1/16 x 1/2 S.S.	P06031
(Items 13 & 14 - See RMI Service Bulletin # 31.)		29. Guard, Splash, Brewer (not shown)	P19182
		30. Carriage w/Wiper Blade (Incl. Items 19-20)	A16717



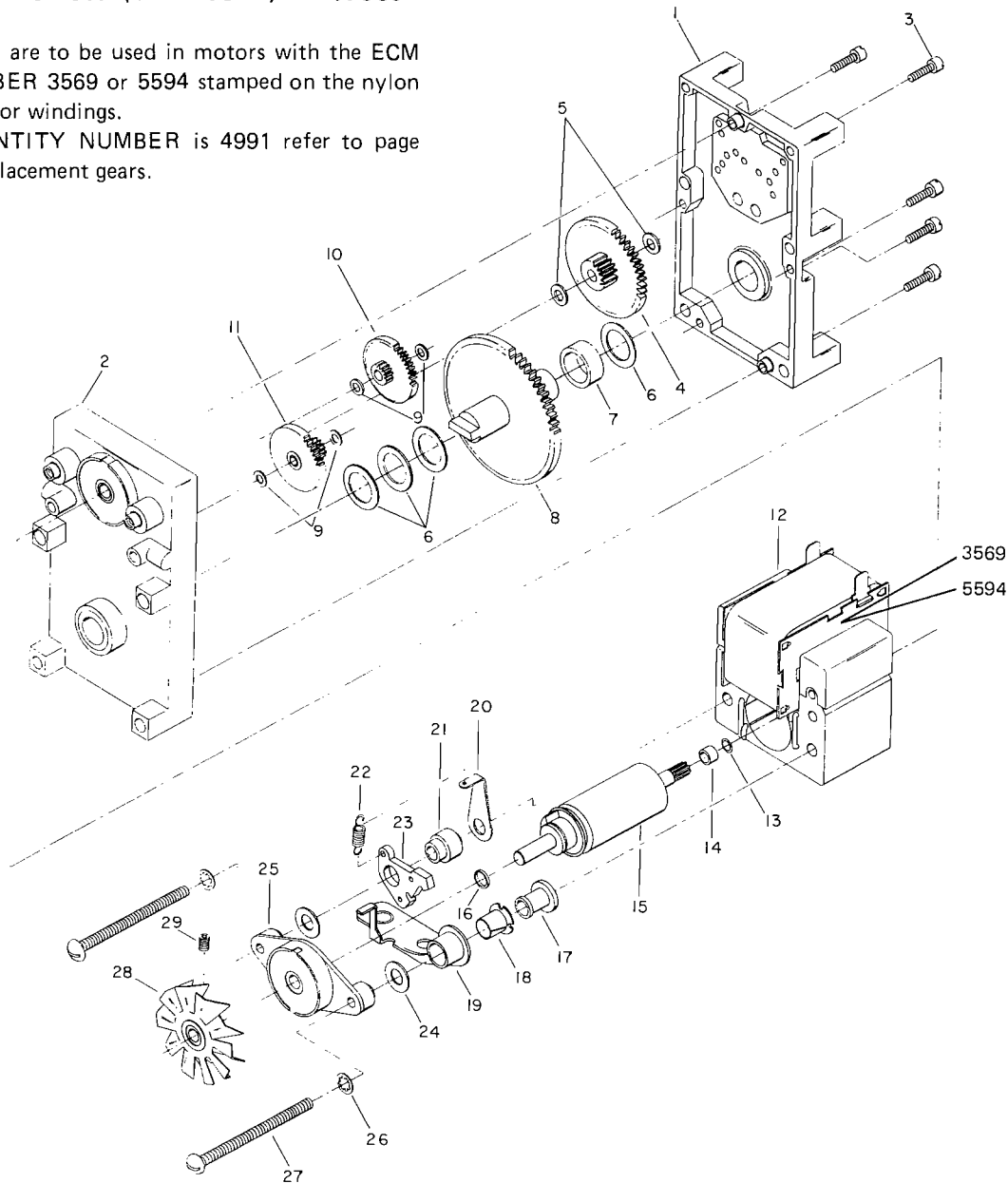
BREWER BASE ASSEMBLY – WITH DEEP CAVITY BREW CHAMBER

1. Base Asm. Complete (Incl. Items 1-31)	A28534	20. Blade, Wiper	P28526
2. Frame, Only	A28531	21. Chamber, Brew	P28406
3. Idler, Roller	P14370	22. Seal, Brew Cavity	P12798
4. Shaft, Idler.	P16291	23. Spring, Brew Chamber	P14435
5. Push Nut, Palnut	P16419	24. Tripper, Ratchet	P18237
6. Funnel	P17898	25. Screw, # 6-32 x 3/8 S.T. Pan, Plated	P19856
7. Screw, # 6-32 x 1/2 F.H.S.S.	P15022	26. Washer, Lock, 1606 External.	P18246
8. Nut, Thumb, # 6-32	P04862	27. Ring, Retaining.	P14499
9. Pawl	P15019	28. Pin, Cotter, 1/16 x 1/2 S.S.	P06031
10. Pin, 1/16 x 1/4 S.S.	P14780	29. Guard, Splash, Brewer	P19182
11. Rod, Carriage & Filter Support	P14344	30. Chamber, With, w/Seal Installed.	A29372
12. Spring, Filter Return	P14354	31. Carriage, Brew w/Wiper Installed	A29373
13. Cover, Funnel.	P27926	32. Tube, PVC, Brewer to Trough (Order per/Ft.)	P11115
14. Support, Filter	P28020	33. Ring, Drip	P19047
15. Filter	P16721	34. Bracket, Latch, Base Asm	P27519
16. Seal, Ring Filter	P16724	35. Screw, # 8/32 x 1/2 PH M PL.	P11073
17. Screen, Support, Filter	P16723	36. Washer, Flat # 8 SCP	P00961
18. Spring, Carriage Return	P15528	37. Nut, # 8/32 Stop SCP.	P21042
19. Carriage, Brew	P15018		

850 BREWER MOTOR (120V-60Hz) – P17365

Items 4, 8 10, 11 are to be used in motors with the ECM IDENTITY NUMBER 3569 or 5594 stamped on the nylon bobbin of the motor windings.

If the ECM IDENTITY NUMBER is 4991 refer to page 14.07 to order replacement gears.



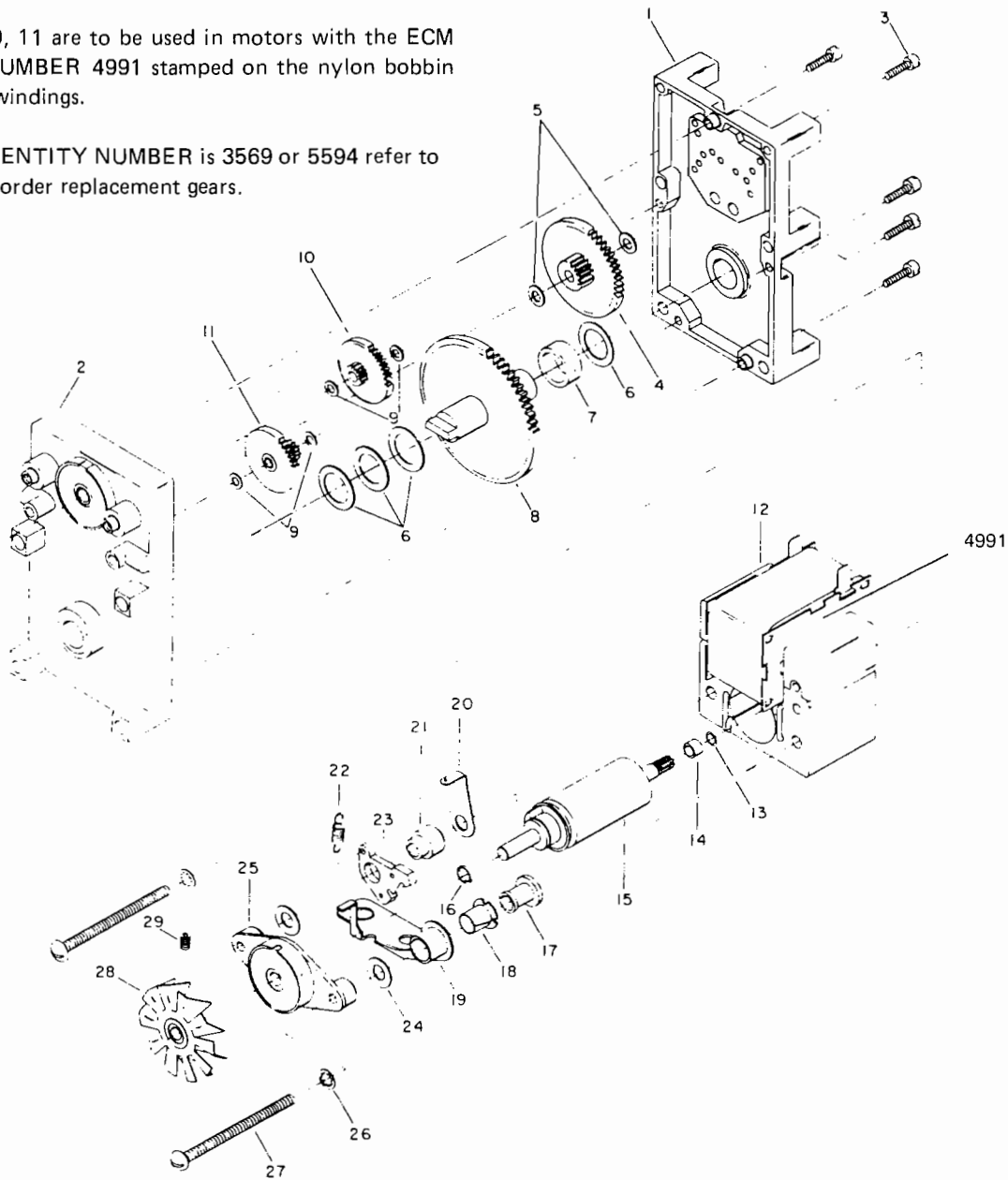
Items with part numbers stocked by RMI

- | | |
|---|---|
| 1. Gear Case Asm, Mounting Side | 15. Rotor & Shaft Asm – 120V, 60Hz |
| 2. Gear Case Asm, Motor Side | 15A Rotor & Shaft Asm – 120V, 50/60 Hz |
| 3. Screw, Cover | 16. Spacer |
| 4. Gear & Pinion – 3rd Position P21821 | 17. Pivot, Armature Slide |
| 5. Washer – Spacer | 18. Bearing – Liner |
| 6. Output Shaft Spacer | 19. Armature Asm P22767 |
| 7. Output Shaft Spacer | 20. Bracket, Spring |
| 8. Output Shaft & Gear Asm P21020 | 21. Pivot, Pawl Side |
| 9. Washer – Spacer | 22. Extension, Spring P21495 |
| 10. Gear & Pinion – 2nd Position P21822 | 23. Pawl, Stop P21494 |
| 11. Gear & Pinion – 1st Position P22754 | 24. Washer |
| 11A Gear Box Asm, Complete (Incl. Items 1–11) | 25. Bearing, Bracket Asm A22692 |
| 12. Stator & Coil Asm – 120V, 60 Hz | 26. Washer, Lock Internal |
| 12A Stator & Coil Asm, 120V, 50/60 Hz | 27. Screw, #8-32 x 2½ R.H. |
| 12B Stator & Coil Asm, 220V, 50Hz | 28. Fan P17584 |
| 13. Washer | 29. Screw, #8-32 x 3/16 P03272 |
| 14. Spacer (Plastic) | |

850 BREWER MOTOR (120V-60Hz) – P17365

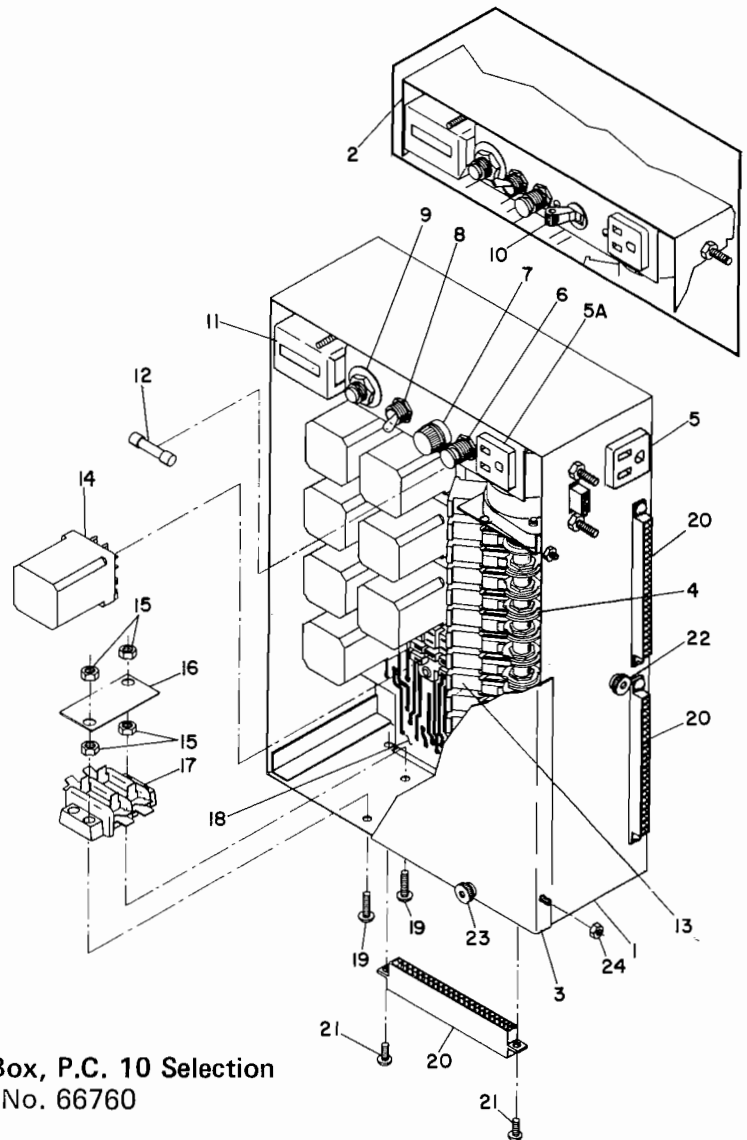
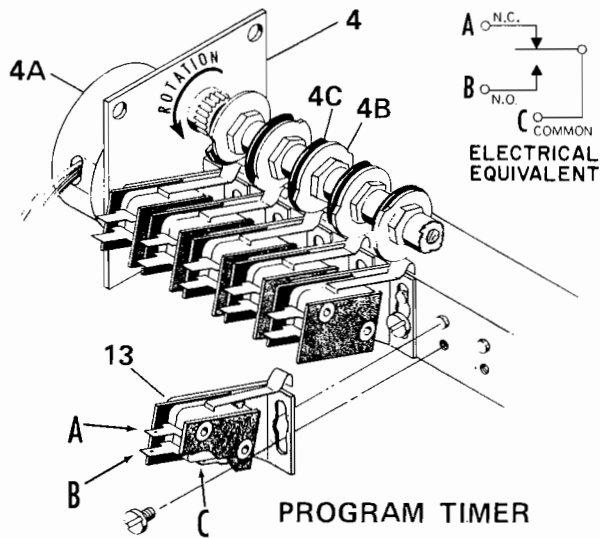
Items 4, 8, 10, 11 are to be used in motors with the ECM IDENTITY NUMBER 4991 stamped on the nylon bobbin of the motor windings.

If the ECM IDENTITY NUMBER is 3569 or 5594 refer to page 14.06 to order replacement gears.



Items with part numbers stocked by RMI

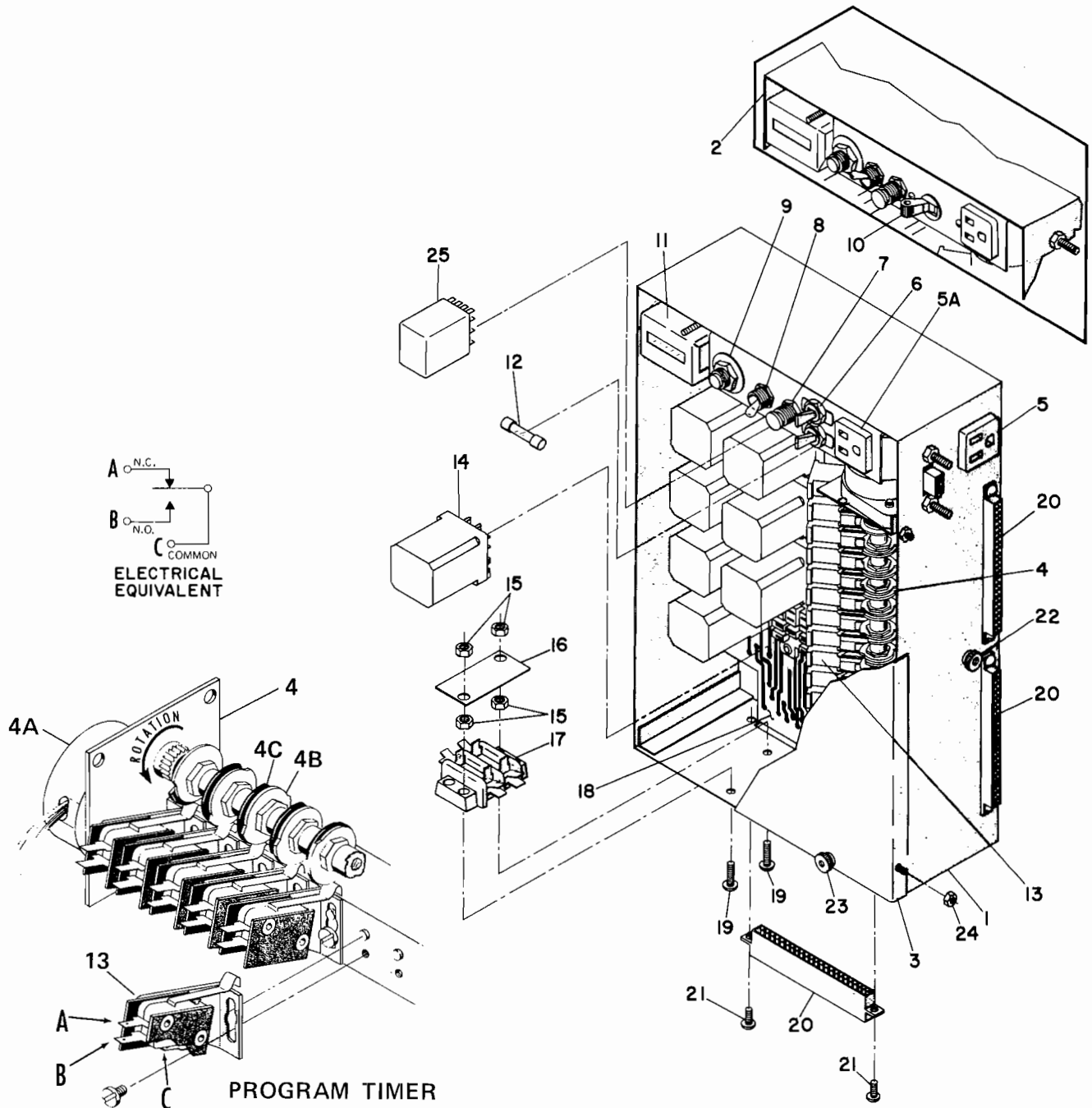
- | | |
|---|--|
| 1. Gear Case Asm, Mounting Side | 15. Rotor & Shaft Asm – 120V, 60Hz |
| 2. Gear Case Asm, Motor Side | 15A Rotor & Shaft Asm – 120V, 50/60 Hz |
| 3. Screw, Cover | 16. Spacer |
| 4. Gear & Pinion – 3rd Position. P28417 | 17. Pivot, Armature Slide |
| 5. Washer – Spacer | 18. Bearing – Liner |
| 6. Output Shaft Spacer | 19. Armature Asm P22767 |
| 7. Output Shaft Spacer | 20. Bracket, Spring |
| 8. Output Shaft & Gear Asm. P28418 | 21. Pivot, Pawl Side |
| 9. Washer – Spacer | 22. Extension, Spring P21495 |
| 10. Gear & Pinion – 2nd Position P28416 | 23. Pawl, Stop P21494 |
| 11. Gear & Pinion – 1st Position P28415 | 24. Washer |
| 11A Gear Box Asm, Complete (Incl. Items 1–11) | 25. Bearing, Bracket Asm. A22692 |
| 12. Stator & Coil Asm – 120V, 60 Hz | 26. Washer, Lock Internal |
| 12A Stator & Coil Asm – 120V, 50/60 Hz | 27. Screw, #8-32 x 2½ R.H. |
| 12B Stator & Coil Asm – 220V, 50 Hz | 28. Fan. P17584 |
| 13. Washer | 29. Screw, #8-32 x 3/16 P03272 |
| 14. Spacer (Plastic) | |



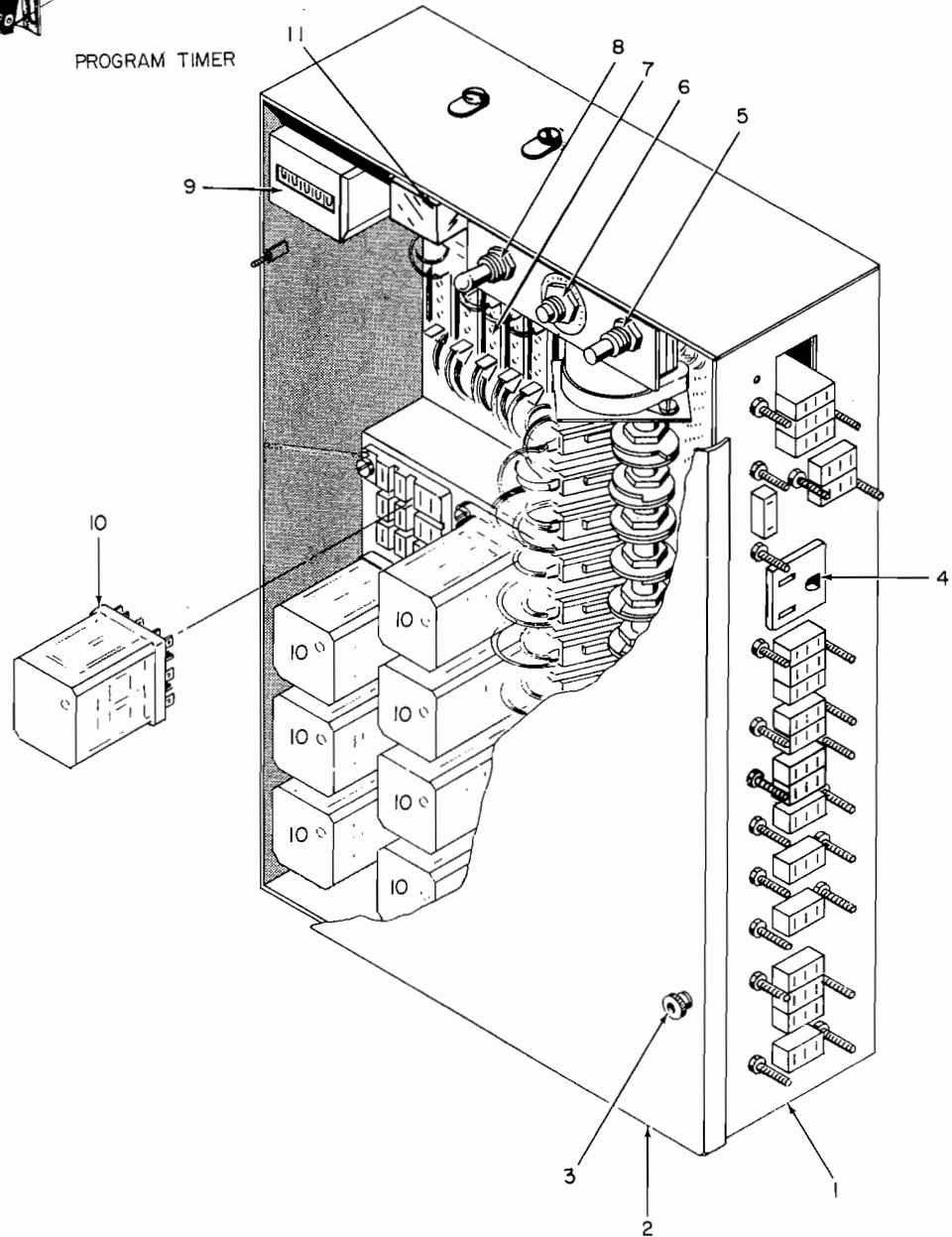
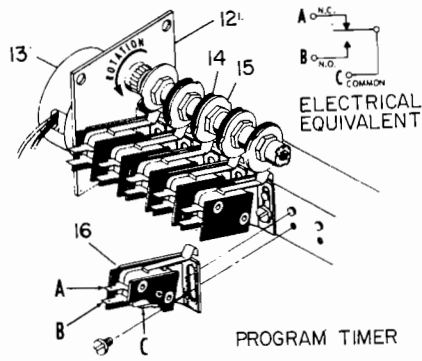
850 Electrical Box, P.C. 10 Selection
Below Serial No. 66760

- | | | | |
|--|--------|---|--------|
| 1. Box, w/Components | P20202 | 12. Fuse, 10 AMP, No. 3AG | P14175 |
| 2. Box, w/components | P20202 | (Mounted on P.C. Board) | |
| 3. Lid Asm, Electrical Box | A23598 | 13. Switch & Breaker Asm, Program Timer | A23599 |
| 4. Program Timer Asm, 120 V, 60 Hz | P25455 | 14. Relay, Plug In, All Identical. | P16759 |
| 4A. Motor, Timer, 10 RPM w/12 Tooth Gear | P25922 | 15. Nut, Kep, #8-32 | P11749 |
| 4B. Cam, White | P16501 | 16. Cover, Terminal Block | P20065 |
| 4C. Cam, Black | P16502 | 17. Block, Terminal | P06807 |
| 5. Socket, Utility | P14177 | 18. P.C. Board | P19505 |
| 6. Switch, Cycle | P14572 | 19. Screw, # 8-32 x 1 1/4 P.H. | P14487 |
| 7. Bracket, Fuse, Screw Type | P19503 | 20. Connector, Edge, Not Supplied with Box. | P19496 |
| 7A Fuse, 10 AMP, No. 3AG (Not Shown). | P14175 | 21. Screw, # 4 x 3/8 R.H.S.T. | P01678 |
| for Item 7 | | Not Supplied with Box | |
| 8. Switch, Power, On-Off | P17462 | 22. Nut, Knurled, # 6-32 | P08462 |
| 9. Breaker, Circuit, 18 AMP | P20174 | 23. Nut, Knurled, #8-32, Aluminum | P14928 |
| 10. Breaker, Circuit, 10 AMP | P20156 | 24. Nut, Hex, #6-32 | P19508 |
| 11. Counter. | P17304 | 25. Terminal, Edge Connector (not shown) | P19497 |

850 Electrical Box, P.C. 14 Selection
10 Selection, Serial No. 66760 and above

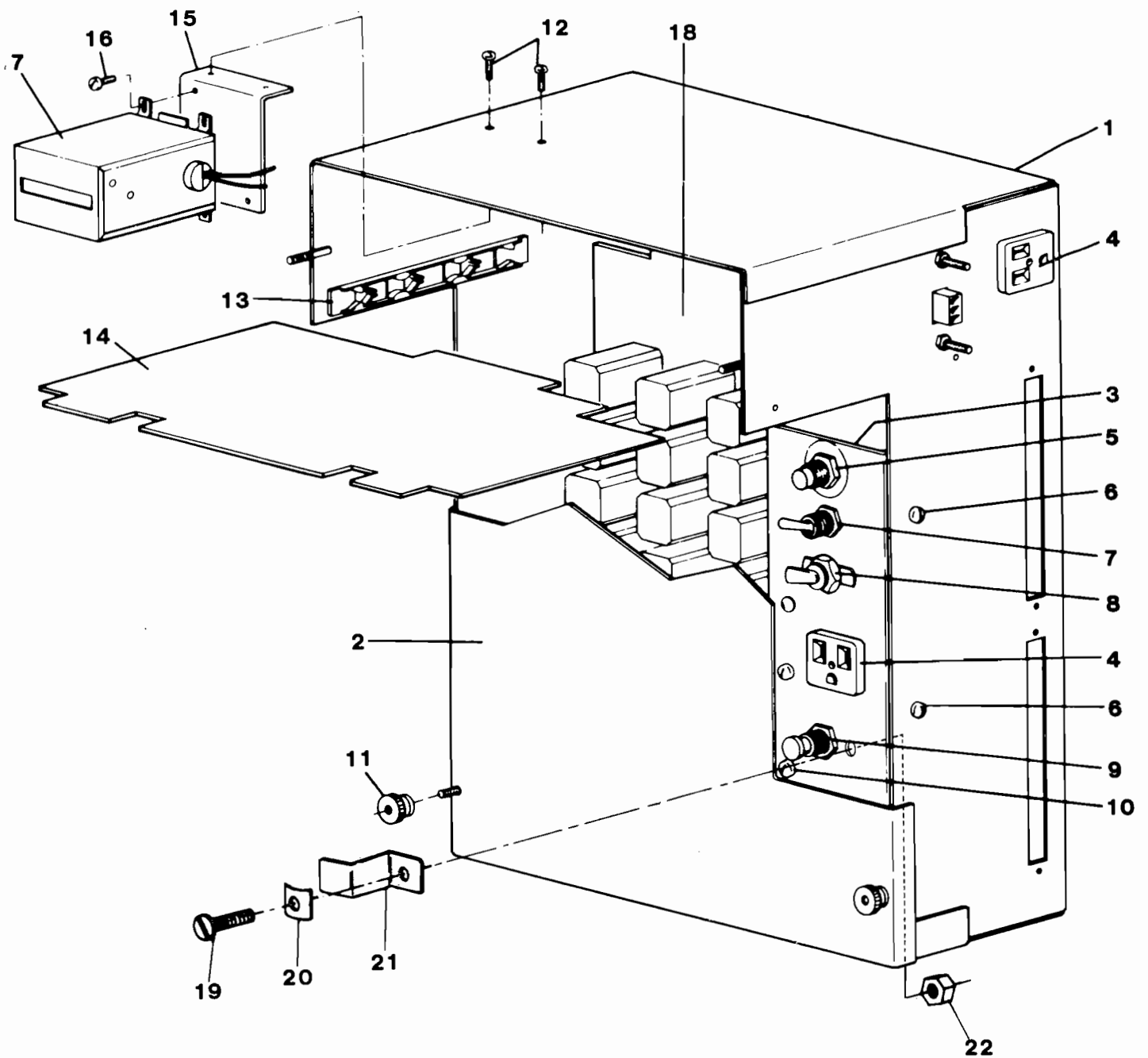


- | | | | |
|--|--------|--|--------|
| 1. Box Asm, Electrical, Wired (Incl. Item 6) . . . | A23619 | 13. Switch, Program Timer. | A21421 |
| 2. Box, Electrical | A19511 | 14. Relay | P16759 |
| 3. Lid, Electrical Box. | P19515 | 15. Nut, Kep, # 8-32 | P11749 |
| 4. Timer, Program. | P19506 | 16. Insulation | P20065 |
| 4A. Motor, Timer, 10 RPM w/12 Tooth Gear . . | P25922 | 17. Strip, Terminal, Black | P06807 |
| 4B. Cam, Black | P16502 | 18. Board, P.C. | P23200 |
| 4C. Cam, White | P16501 | 19. Screw, # 8-32 x 1 1/4 P.H. | P18442 |
| 5. Socket, Heater & Utility | P14177 | 20. Connector, Edge | P19496 |
| 6. Breaker, Circuit. | P20156 | 21. Screw, # 4 x 3/8 R.H.S.T. | P01678 |
| 7. Switch, Cycle | P14572 | 22. Nut, Knurled # 6-32 | P08462 |
| 8. Switch, On-Off | P17462 | 23. Nut, Knurled # 8-32 | P05625 |
| 9. Breaker, Circuit. | P20174 | 24. Nut, Kep # 6-32 | P11745 |
| 10. Breaker, Circuit. | P20156 | 25. Relay | P21601 |
| 11. Counter | P17304 | | |
| 12. Fuse | P14175 | | |



850 Electrical Box, Hand Wired, 14 Selection

1. Electrical Box Asm, w/Components	A21652	9. Counter	P17304
2. Lid, Electrical Box.	P16707	10. Relay, 3 PDT	P16759
3. Nut, Knurled, # 8-32	P05625	11. Relay, 4 PDT	P21601
4. Socket, Heater	P14177	12. Program Timer Asm, 120V, 60 Hz	A25455
5. Switch, Cycle	P14572	13. Motor, Timer 120V, 60 Hz	P25922
6. Breaker, Circuit.	P20174	14. Cam, Black.	P16502
7. Strip, Terminal	P02488	15. Cam, White	P16501
8. Switch, Off-On	P17462	16. Switch Asm, Program Timer	A21421



850 "COMMODITATOR" ELECTRICAL BOX ASSEMBLY

1. Box, Electrical, Wired	A24324	13. Guide, P.C. Board	P24674
2. Lid Asm, Electrical Box	A24287	14. Board, Logic, Commoditator	P24001
3. Bracket, Switch & Breaker	A24589	15. Bracket, Counter	A23985
4. Socket, Utility	P14177	16. *Screw, #6-32 x 1/4 PHM	P00054
5. Breaker, Circuit - White 18 AMP	P20174	17. Counter	P17304
6. Screw, #8-32 x 1/4 PHM	P14487	18. Board, Control, Commoditator	P27175
7. Switch, On-Off	P17462	19. Screw 8x1/2 PH A Self-Threaded	A20676
8. Breaker, Circuit - Black 10 AMP	P20156	20. Washer, Spring, Shakeproof	P27360
9. Switch, Cycle	P14572	21. Bracket, Free Play	P27358
10. Screw, #8-32 3/8 PHM	P14491	22. Nut, 8-32, Stop, SCP	P21042
11. Nut, Knurled, #8-32	P05625	23. Bracket Asm Free Play	
12. Screw, #6-32 x 3/8 PHM	P12503	(Not Shown - Incl. Items 19-22)	A27359
		24. Module Service (Shown on page 16.07)	P24002

Logic and Relay Boards

Model / 850 - LG CMS
850 - FD CMS
850 - LG - W/XSTG CMS With Relay Asm. & 5 Relays
850 - LG - DH CMS With Relay Asm., 5 Relays & Toggle Switch
(1 Brewed Decaf. Coff. Sel. Button)
1435 - FD CMS

New Logic Board

RMi Part Number P24001
Mfg. #XD06 - 70032 *32 - 1 *32 - 2

Repaired Logic Board

RMi Part Number P27839
Mfg. #XD06 - 70032 *32 - 1 *32 - 2

Model / 850 - LG - DH - W/XSTG CMS With Relay Asm. & 7 Relays (1 Brewed Decaf. Coff. Sel. Button)

New Logic Board

RMi Part Number P28855
Mfg. #XD06 - 70032 - 2A

Repaired Logic Board

RMi Part Number P28930
Mfg. #XD06 - 70032 - 2A

Model / 850 - LG CMS
850 - LG - W/XSTG CMS With 15 Selection Buttons
850 - LG - DH - CMS With 15 Selection Buttons (4 Brewed Decaf. Coff. Sel. Buttons)
850 - LG - DH - W/XSTG CMS With 15 Selection Buttons (4 Brewed Decaf. Coff. Sel. Buttons)
850 - LG - DH CMS With Relay Asm. For Soluble Coffee And 15 Selection Buttons
(4 Brewed Decaf. Coff. Sel. Buttons)
1435 - FD CMS With 15 Selection Buttons

New Logic Board

RMi Part Number P29137
Mfg. #XD06 - 70042

Repaired Logic Board

RMi Part Number P29393
Mfg. #XD06 - 70042

Note: This Logic Board has jumpers called J1 and J2. By moving these plug-in jumpers this board can be used in several applications. By placing the jumpers in the position designated on the board as PARKING, this board can be used in place of P24001 or P27839.

Model / 850 CMS – ALL MODELS
1435 CMS – ALL MODELS

New Relay Board

RMi Part Number P27175
Mfg. #XD06 - 70061

Repaired Relay Board

RMi Part Number P28762
Mfg. #XD06 - 70061

Note: RMi Part Number P24000, Mfg. #XD06 - 70011, Replaced by P27175.

Model / ALL CMS MODELS

New Service Adjust Module

RMi Part Number P24002

Repaired Service Adjust Module

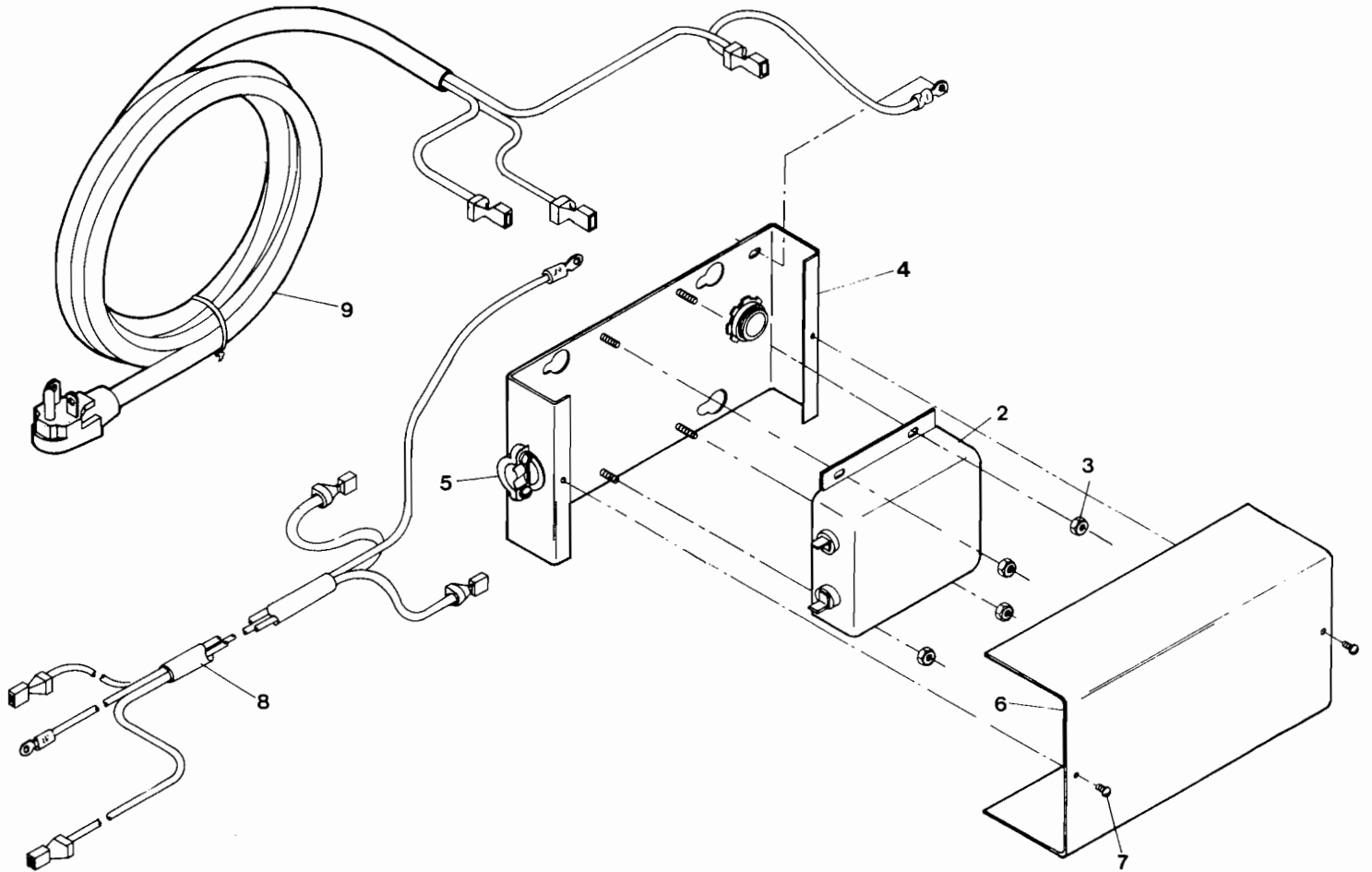
RMi Part Number P27840

Commoditator Intro Pack Kit

The kit contains a Logic Board, Relay Board, and a Service Adjust Module. As shown above the Relay Board P27175 and the Service Module P24002 can be used on all Model 850 CMS and Model 1435 CMS machines. The Logic Board however will vary with the Model and Selections. Before ordering a Commoditator Intro Pack Kit the correct Logic Board for your machine should be identified above.

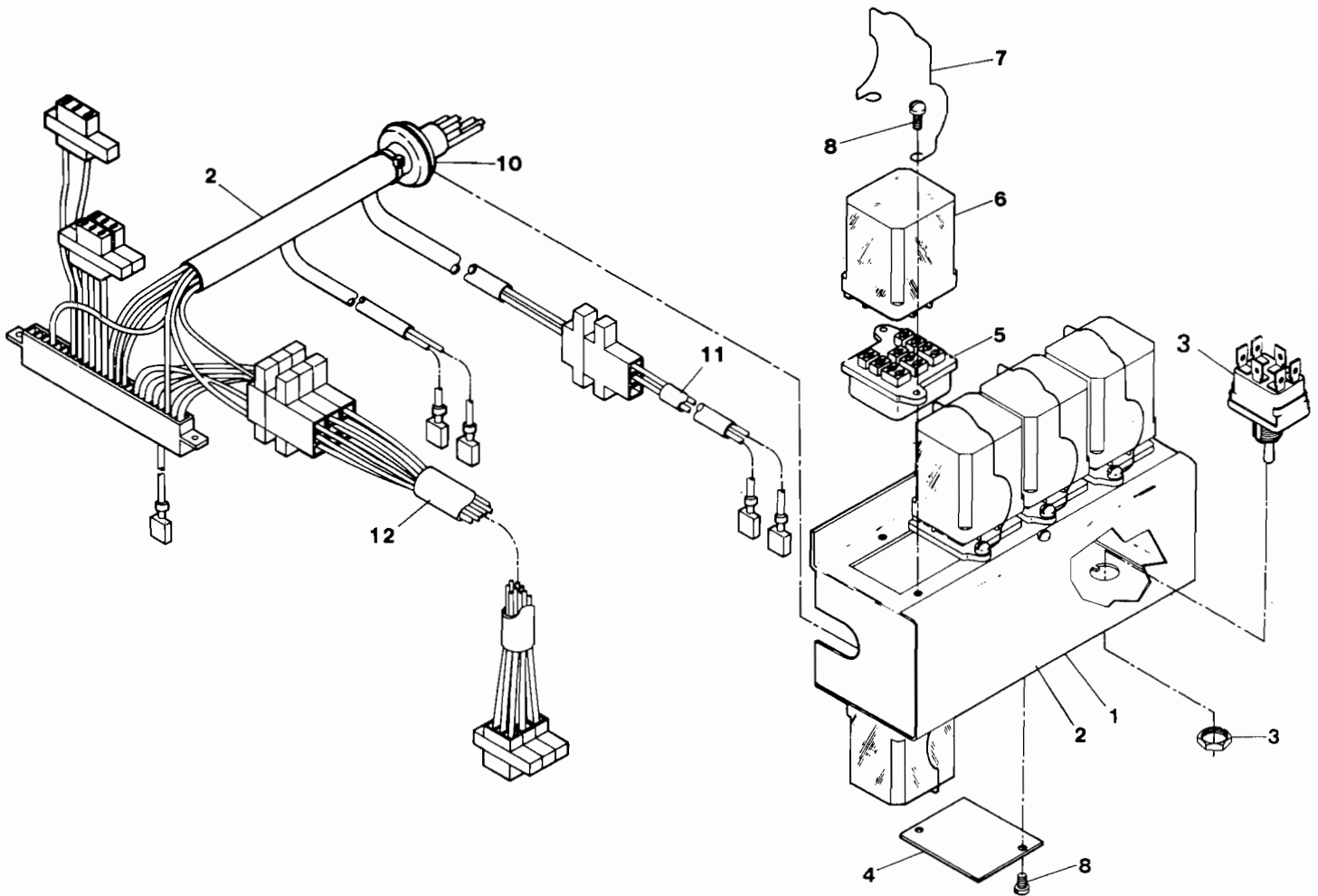
P25606 Commoditator Intro Pack Kit contains: P24001 Logic Board
P27175 Relay Board
P24002 Serv. Module

P25920 Commoditator Intro Pack Kit contains: P29137 Logic Board
P27175 Relay Board
P24002 Serv. Module



FILTER ASSEMBLY AND POWER CORD – A29168

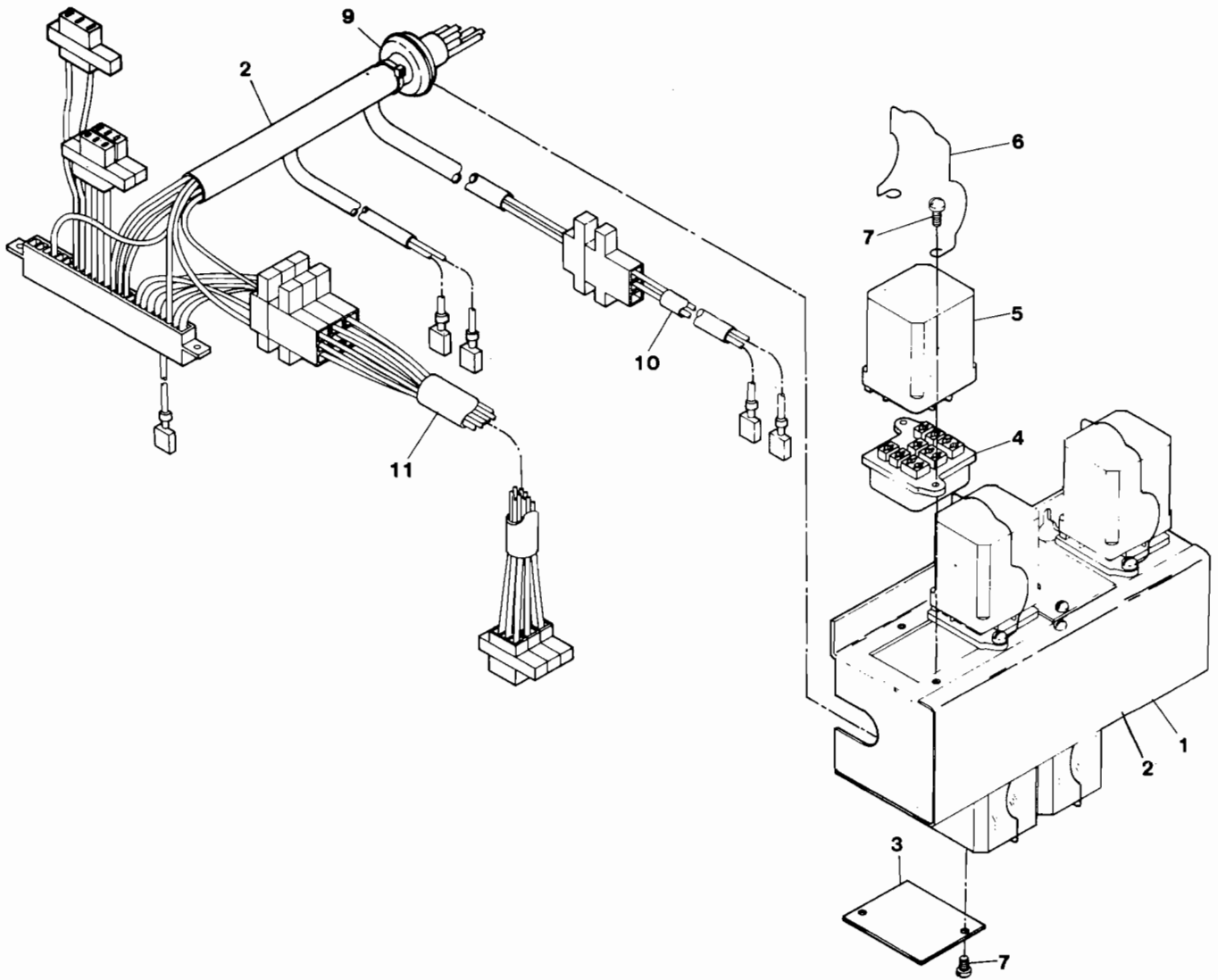
1. Filter Asm. and Power Cord (Incl. Items 2-9)	A29168	6. Cover Filter Box	P29063
2. Filter EMI	P29003	7. Screw, #8-32 x 3/8 HHST.	P14806
3. Nut Kep #6-32	P11745	8. Cable Asm. (Filter to Elec. Box CMS)	P29167
4. Box Asm. Filter	P29064	9. Cord Asm. Power	P29166
5. Clamp Strain Relief #3/8 (Reg. 7/8 Hole – 1/2" KO)	P00253		



RELAY ASSEMBLY 850-LG-DH

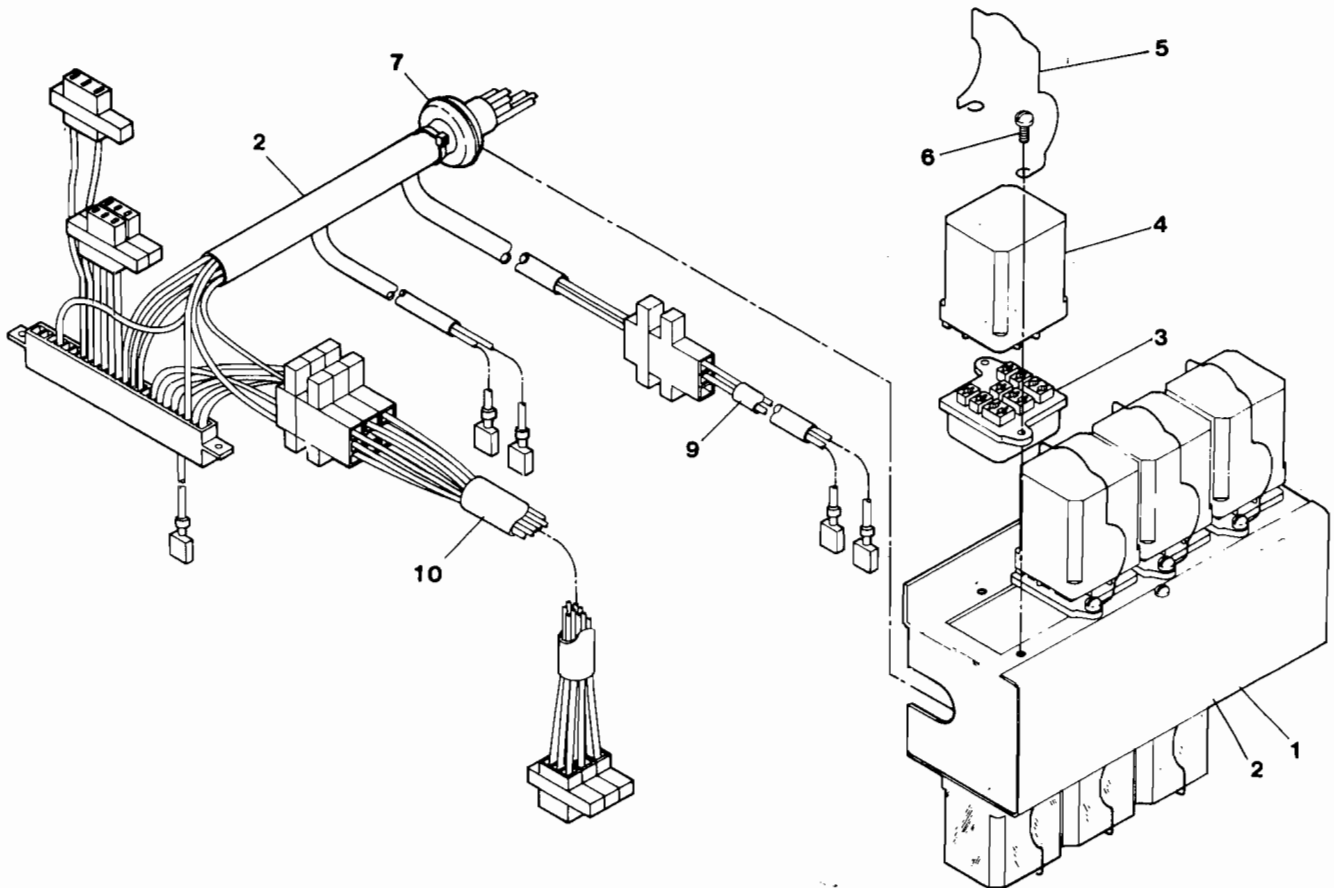
Used on 850-LG Dual Hopper with 1 Brewed Decaffeinated Coffee Selection Button

- | | | | |
|---|--------|---|--------|
| 1. Relay Asm. 850-LG-DH (Incl. Items 1-10) . . . | A29095 | 7. Spring, Relay Hold Down | P16762 |
| 2. Relay Box Wired (Incl. Itms. 3,4,5,7,8,9,& 10) | A29161 | 8. Screw 6/32 x 3/8 BH F TP | P00802 |
| 3. Switch, Toggle | P17462 | 9. Snubber Asm. In Line (not shown) | P29257 |
| 4. Cover Relay Slot | P27756 | 10. Grommet 5/8 x 7/8 | P26539 |
| 5. Socket, Relay | P16760 | 11. Cable Asm. Selector, Decaf | A28985 |
| 6. Relay Plug In PB | P16759 | 12. Cable Extension, Brewer | A25041 |



RELAY ASSEMBLY 850 - LG - W/XSTG
Used on 850 - LG With The Extra Strong Coffee Selection Button

1. Relay Asm 850 - LG - W/XSTG Inc. Items 1-9	A29096	7. Screw 6/32 x 3/8 BH F TP	P00802
2. Relay Box Wired Inc. Items 2, 3, 4, 6, 7, 8 & 9	A29009	8. Snubber Asm. In Line (Not Shown)	P29257
3. Cover Relay Slot.	P27756	9. Grommet 5/8 x 7/8	P26539
4. Socket, Relay	P16760	10. Cable Asm Selector XSTG	A28985
5. Relay Plug-in PB	P16759	11. Cable Extension, Brewer	A25041
6. Spring, Relay Hold Down	P16762		



RELAY ASSEMBLY 850 - LG - DH - W/XSTG
Used On 850 - LG Dual Hopper With 1 Brewed Decaffeinated Coffee Selection Button
And the Extra Strong Coffee Selection Button

- | | | | |
|---|--------|---|--------|
| 1. Relay Asm 850 - LG - DH - W/XSTG
Inc. Items 1 - 8 | A29094 | 6. Screw 6/32 x 3/8 BH F TP | P00802 |
| 2. Relay Box Wired Inc. Items 2, 3, 5, 6, 7 & 8 | A29163 | 7. Grommet 5/8 x 7/8 | P26539 |
| 3. Socket, Relay. | P16760 | 8. Snubber Asm. In Line (not shown) | P29257 |
| 4. Relay Plug-in PB. | P16759 | 9. Cable Asm. Selector DH - W/XSTG | A28945 |
| 5. Spring, Relay Hold Down | P16762 | 10. Cable Extension, Brewer | A25041 |