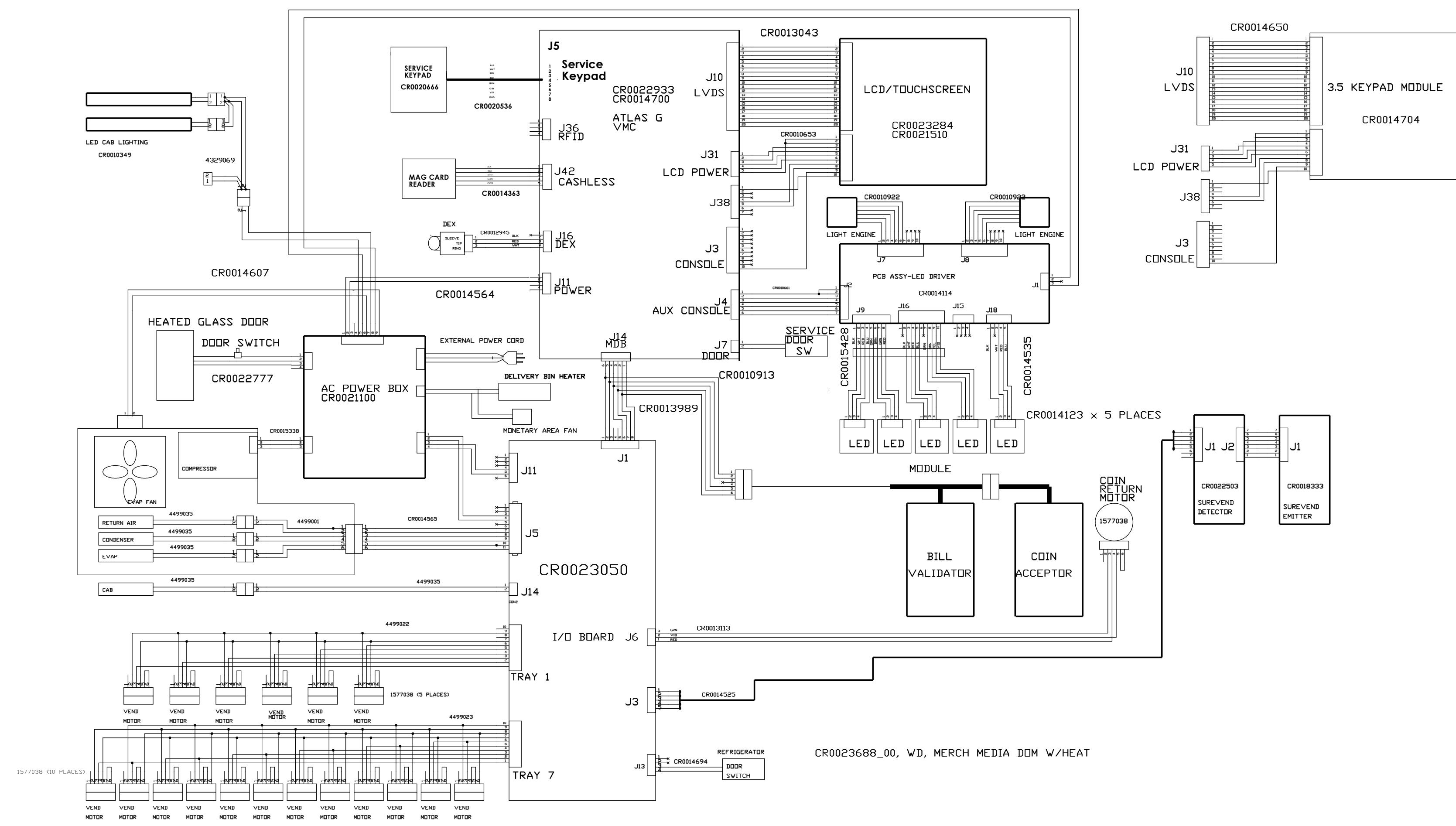
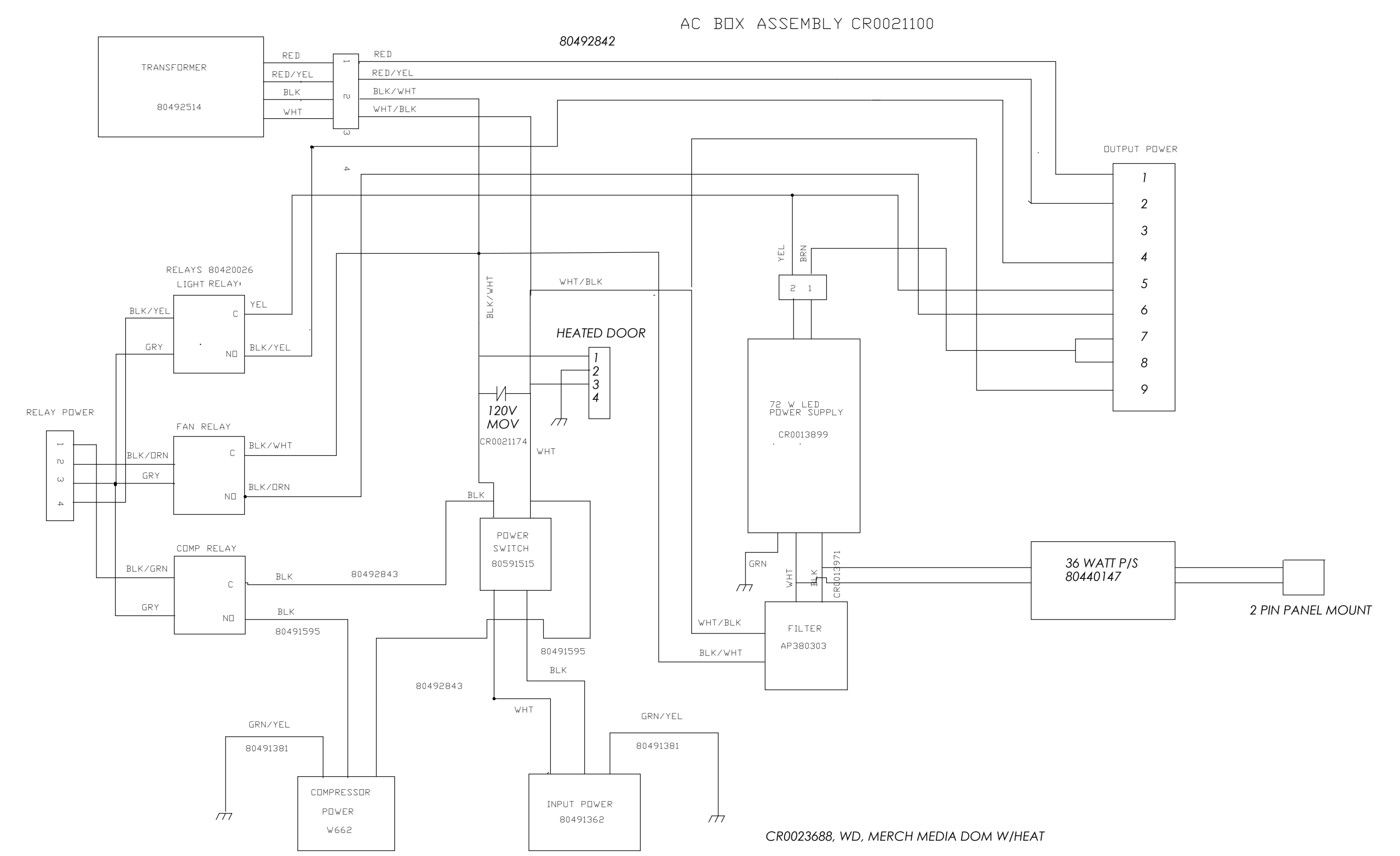


REVISIONS					
ZONE	REV.	DESCRIPTION	EC	DATE	APPROVED
	0.0	INITIAL RELEASE	2752	1/27/15	RTG



PART NO. CR0023688	PART NAME WIRING DIAGRAM MERCH MEDIA DOMESTIC W/HEAT
MATERIAL Material <not specified>	FINISH -
<p>CRANE VENDING SOLUTIONS</p> <p>MUST BE COMPLIANT WITH EUROPEAN UNION DIRECTIVE 2002/95/EC AND SUBSEQUENT AMENDMENTS. (RoHS)</p>	
NO. SHEETS 1 of 4	DWG SIZE C
SCALE 1:1	DESIGNED BY -
<p>THIS DOCUMENT CONTAINS INFORMATION WHICH IS PROPRIETARY TO CRANE MERCHANDISING SYSTEMS. NO PRODUCTION OR PUBLICATION OF THIS DOCUMENT IN WHOLE OR IN PART SHALL BE MADE WITHOUT THE WRITTEN APPROVAL OF CRANE MERCHANDISING SYSTEMS.</p>	
REVISION 0.0	

REVISIONS				
ZONE	REV.	DESCRIPTION	DATE	EC NUMBER
-	0.0	INITIAL RELEASE	1/27/15	2752

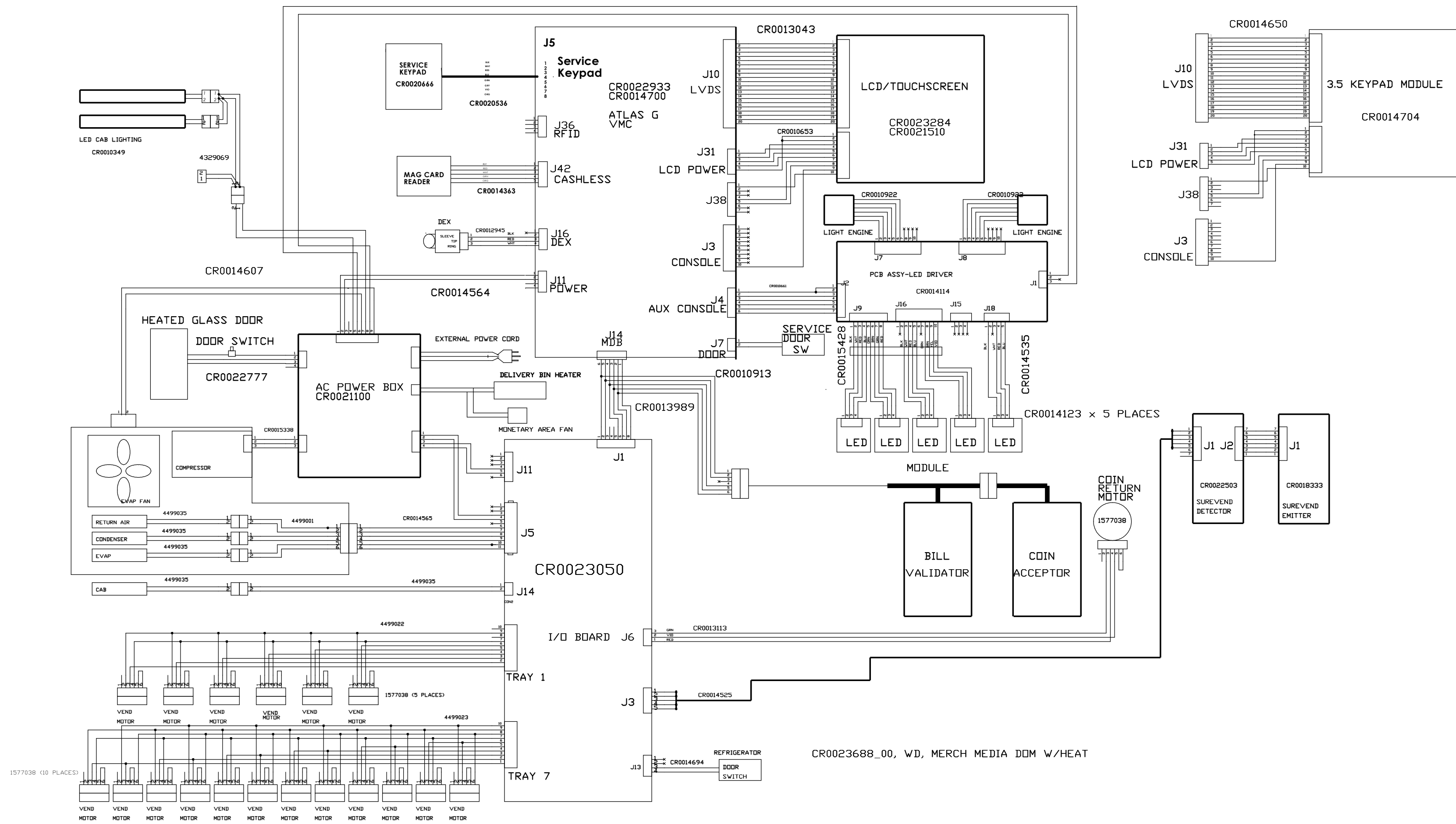


CR0023688, WD, MERCH MEDIA DOM W/HEAT

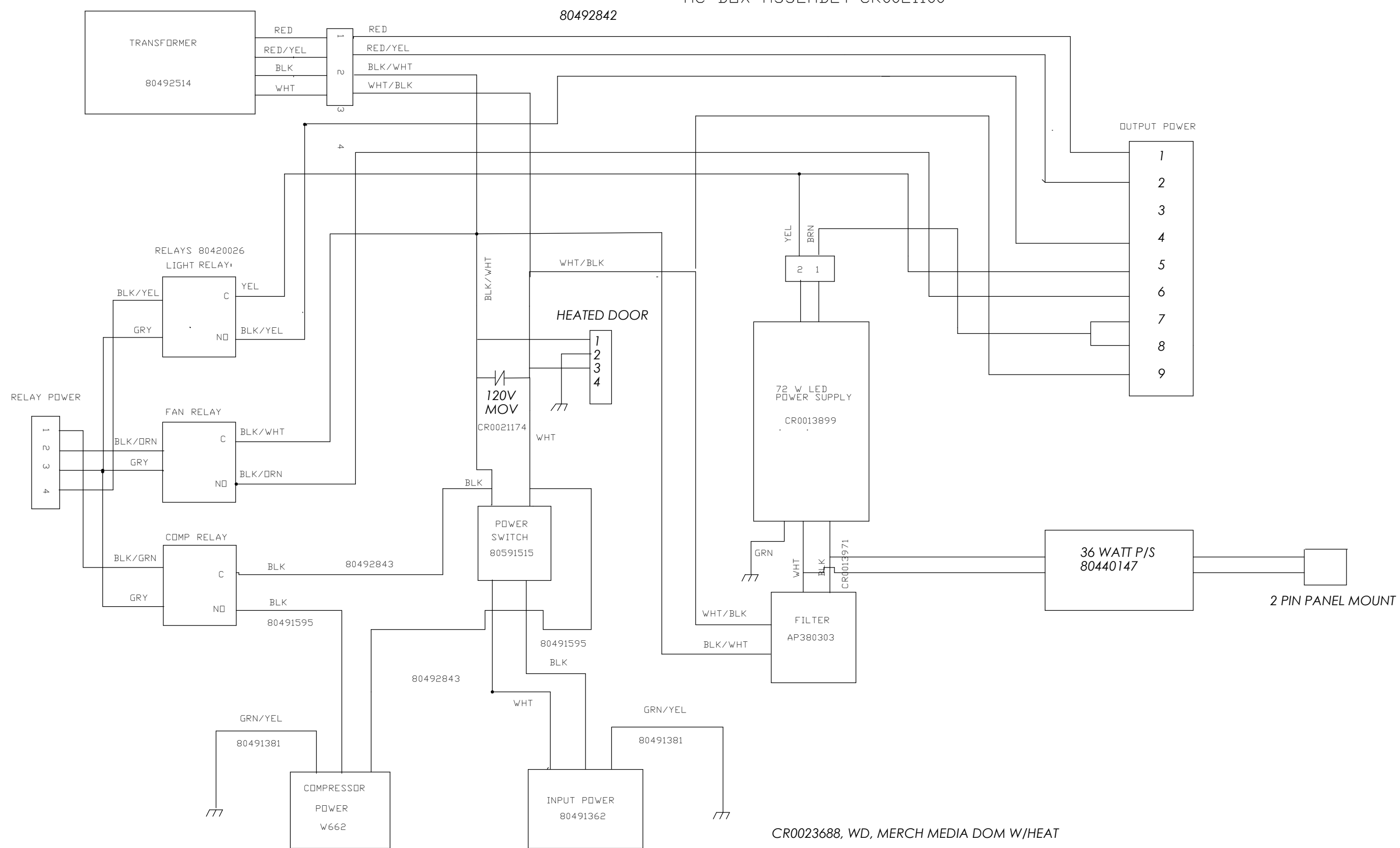
PART NO. CR0023688	PART NAME WIRING DIAGRAM MERCH MEDIA DOMESTIC W/HEAT
MATERIAL Material <not specified>	FINISH -
<p>CRANE VENDING SOLUTIONS</p> <p>MUST BE COMPLIANT WITH EUROPEAN UNION DIRECTIVE 2002/95/EC AND SUBSEQUENT AMENDMENTS. (RoHS)</p>	
NO. SHEETS 2 of 4	SCALE 1:1
DESIGNED BY C	REVISION 0.0

- CAD DRAWING DO NOT REVISE MANUALLY
- DO NOT SCALE
- UNLESS OTHERWISE SPECIFIED:
 - DIMENSIONS ARE IN INCHES
 - BENDS ARE 90°
- TOLERANCES UNLESS OTHERWISE SPECIFIED:
 - PLACE DECIMAL ±.02
 - PLACE DECIMAL ±.005
 - HOLE DIAMETER +0.001/-0.003
 - ANGLES ±1° EXCEPT FORMED ANGLES ±1°

THIS DOCUMENT CONTAINS INFORMATION WHICH IS PROPRIETARY TO CRANE MERCHANDISING SYSTEMS. NO PRODUCTION OR PUBLICATION OF THIS DOCUMENT IN WHOLE OR IN PART SHALL BE MADE WITHOUT THE WRITTEN APPROVAL OF CRANE MERCHANDISING SYSTEMS.



AC BOX ASSEMBLY CR0021100



CR0023688, WD, MERCH MEDIA DOM W/HEAT