

GFD-4

Parts Manual



List of Parts Tables

Table 1. GFD-4 Merchandiser	1
Table 2. Door Assembly	3
Table 3. Plastic Bag Assembly 6381007 - Domestic	5
Table 4. Plastic Bag Assembly 6381009 - S/A	5
Table 5. Common Trim and Panel Components	7
Table 6. Coin Receptacle Assembly	8
Table 7. Door Lock Assembly	9
Table 8. Door Lock and Handle Assembly	11
Table 9. Mech and Canister Assembly - 7 Column	13
Table 10. Turret and Canister Assembly - 7 Column	15
Table 11. Mechanism Assembly	17
Table 12. Cup Ring Assembly	18
Table 13. Actuator Assembly - Cup Ring	19
Table 14. Mounting Bracket Assembly	21
Table 15. Display Assembly	23
Table 16. Cabinet Assembly - Inner Layer	25
Table 17. Cabinet Assembly - Outer Layer	27
Table 18. Base Plate Assembly	29
Table 19. Leg, Leveler, and Leg and Hinge Assemblies	31
Table 20. Miscellaneous Loose Parts	33
Table 21. Cup Delivery Assembly	35
Table 22. Cup Station Support and Overflow Switch	37
Table 23. Support Assembly - Cup Station	38
Table 24. Overflow Switch Assembly	39
Table 25. Mixing Bowl Ventilation Assembly	41
Table 26. Shelf Vent Assemblies	43
Table 27. Bracket, Blower, and Cover Assembly	45
Table 28. Water Supply - With Everpure Water Filter Option	47
Table 29. Water Supply - With Cuno Water Filter Option	49
Table 30. Water Supply - Without Water Filter Option	51
Table 31. Service Light/Bracket Assembly (115 Volt Models)	53
Table 32. Service Light/Bracket Assembly (230 Volt Models)	55
Table 33. Canister Positions and Usage	57
Table 34. Canister Assembly 6237447	59
Table 35. Canister Assembly 6237448	61
Table 36. Canister Assembly 6237446	63
Table 37. Canister Assembly 6237445	65
Table 38. Canister Assembly 6237449	67
Table 39. Canister Assembly 6237450	69
Table 40. Canister Support Channel Assembly - Mounting Details	70
Table 41. Canister Support Channel Assembly	71
Table 42. Mixing Bowl and Whipper Positions	73
Table 43. Mixing Bowl and Whipper Assemblies	75
Table 44. Motor and Plate Assembly	77
Table 44-1. Motor Position Usage	77

List of Figures

Figure 1. GFD-4 Merchandiser	1
Figure 2. Door Assembly	2
Figure 5. Common Trim Components	6
Figure 6. Coin Receptacle Assembly	8
Figure 7. Door Lock Assembly	9
Figure 8. Door Lock and Handle Assembly	10
Figure 9. Mech and Canister Assembly - 7 Column	12
Figure 10. Turret and Canister Assembly - 7 Column	14
Figure 11. Mechanism Assembly	16
Figure 12. Cup Ring Assembly	18
Figure 13. Actuator Assembly - Cup Ring	19
Figure 14. Mounting Bracket Assembly	20
Figure 15. Display Assembly	22
Figure 16. Cabinet Assembly - Inner Layer	24
Figure 17. Cabinet Assembly - Outer Layer	26
Figure 18. Base Plate Assembly	28
Figure 19. Leg, Leveler, and Leg and Hinge Assemblies	30
Figure 20. Miscellaneous Loose Parts	32
Figure 21. Cup Delivery Assembly	34
Figure 22. Cup Station Support and Overflow Switch	36
Figure 23. Support Assembly - Cup Station	38
Figure 24. Overflow Switch Assembly	39
Figure 25. Mixing Bowl Ventilation Assembly	40
Figure 26. Shelf Vent Assemblies	42
Figure 27. Bracket, Blower, and Cover Assembly	44
Figure 28. Water Supply - With Everpure Water Filter Option	46
Figure 29. Water Supply - With Cuno Water Filter Option	48
Figure 30. Water Supply - Without Water Filter Option	50
Figure 31. Service Light/Bracket Assembly (115 Volt Models)	52
Figure 32. Service Light/Bracket Assembly (230 Volt Models)	54
Figure 33. Canister Positions and Usage	56
Figure 34. Canister Assembly 6237447	58
Figure 35. Canister Assembly 6237444	60
Figure 36. Canister Assembly 6237446	62
Figure 37. Canister Assembly 6237445	64
Figure 38. Canister Assembly 6237449	66
Figure 39. Canister Assembly 6237450	68
Figure 40. Canister Support Channel Assembly - Mounting Details	70
Figure 41. Canister Support Channel Assembly	71
Figure 42. Mixing Bowl and Whipper Positions	72
Figure 43. Mixing Bowl and Whipper Assemblies	74
Figure 44. Motor and Plate Assembly	76
Figure 45. Water Tank Assembly	78
Figure 46. Valve Assembly, Hot Water Tank	80
Figure 47. Liquid Distribution and Drain System	82



List of Figures (continued)

Figure 48. Monetary Panel Assembly 86
Figure 49. Card Reader and Bill Validator Combinations 94
Figure 54. Monetary Channel Assembly 98
Figure 55. Miscellaneous Mounted Parts - Door Assembly 100
Figure 56. Miscellaneous Mounted Parts - Cabinet Assembly 102
Figure 57. Product and Condiment Chutes and Usage 104
Figure 58. Power Panel Assembly (U.S.) 106
Figure 59. Power Panel Assembly (230 Volt Models Only) 108
Figure 60. Power Panel Assembly (115 Volt International Models Only) 110
Figure 61. Clamps 112
Figure 62. Harnesses and Connectors 116

List of Parts Tables (continued)

Table 45. Water Tank Assembly	79
Table 46. Valve Assembly, Hot Water Tank	81
Table 47. Liquid Distribution and Drain System.....	83
Table 48. Monetary Panel Assembly	87
Table 49. Card Reader and Bill Validator Combinations.....	95
Table 50. Monetary Location Options	96
Table 51. Bill Validator Options	97
Table 52. Coin Mechanism Options	97
Table 53. Card Readers.....	97
Table 54. Monetary Channel Assembly	99
Table 55. Miscellaneous Mounted Parts - Door Assembly	101
Table 56. Miscellaneous Mounted Parts - Cabinet Assembly	103
Table 57. Product and Condiment Chutes and Usage	105
Table 58. Power Panel Assembly (U.S.)	107
Table 59. Power Panel Assembly (230 Volt Models Only)	109
Table 60. Power Panel Assembly (115 Volt International Models Only)	111
Table 61. Clamps	113
Table 62. Harnesses and Connectors	116

TABLE 1. GFD-4 MERCHANDISER

INDEX	PART NUMBER	DESCRIPTION	QTY.
1	REF	CABINET ASSEMBLY (SEE FIGURE 16 FOR DETAILS)	-
2	REF	DOOR ASSEMBLY (SEE FIGURE 2 FOR DETAILS)	-
3	REF	BASE PLATE ASSEMBLY (SEE FIGURE 18 FOR DETAILS)	1 (OPT)

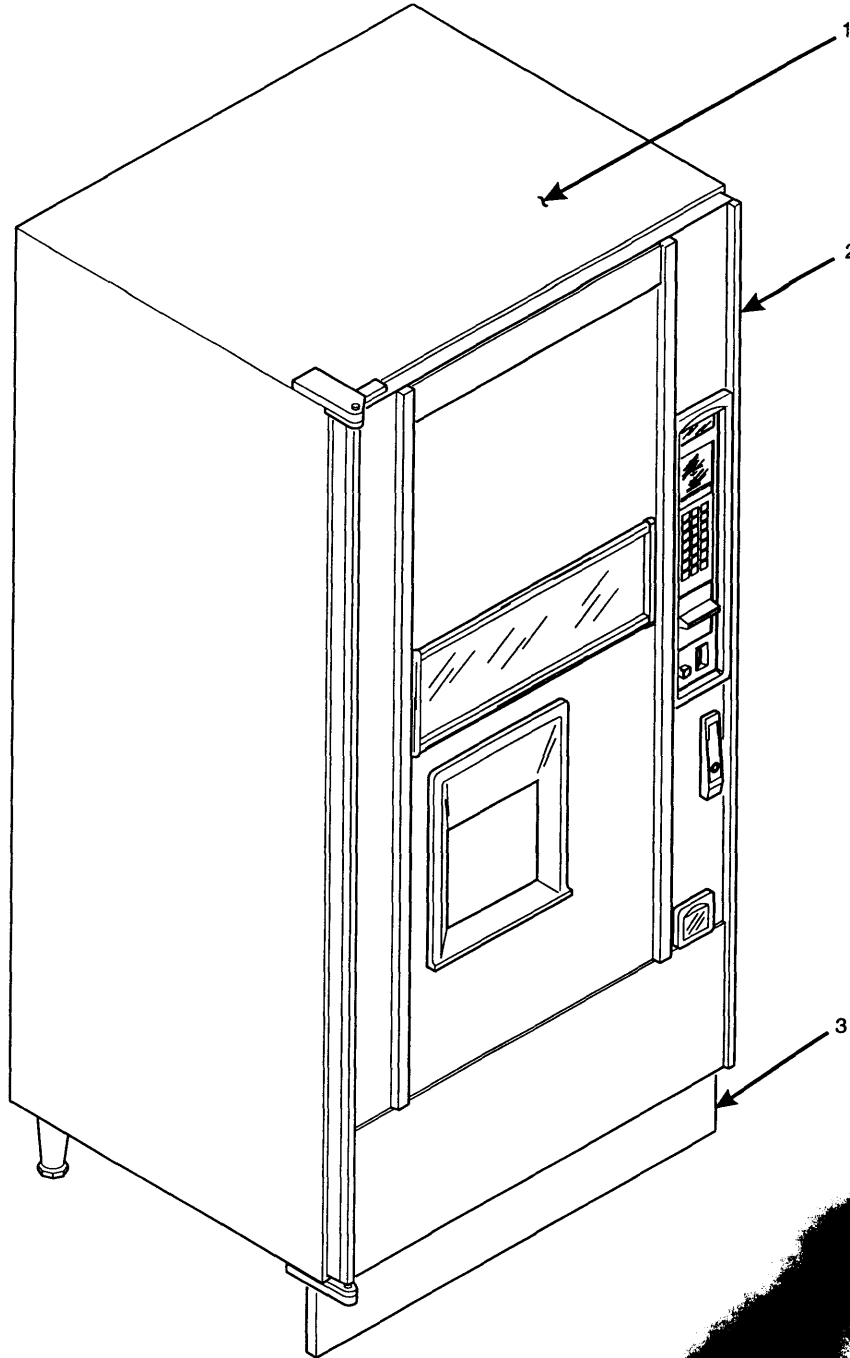


Figure 1. GFD-4 Merchandiser

THE ILLUSTRATED PARTS BREAKDOWN

INTRODUCTION

This manual contains the parts breakdown for the GFD-4 merchandiser. Each illustration shows an exploded view with index numbers. These numbers correspond with the numbers in the parts list table column headed INDEX. The PART NUMBER column lists the part number of each part or assembly. The DESCRIPTION column lists the identifying name of each part or assembly. The QTY column lists the quantity needed of each part or assembly.

HOW TO USE THE PARTS LIST

1. Use the List of Figures and/or List of Parts Tables to find the part or assembly you are interested in.
2. Go to that figure, locate the part or assembly, and note its index number.
3. Find the index number in the parts list table, then read across for a complete description.
4. To find every occurrence of a specific part number, use the Part Number Index located at the end of the manual.

HOW TO ORDER

Parts are available through your Glasco distributor. Be ready to provide the model number and serial number of your merchandiser.

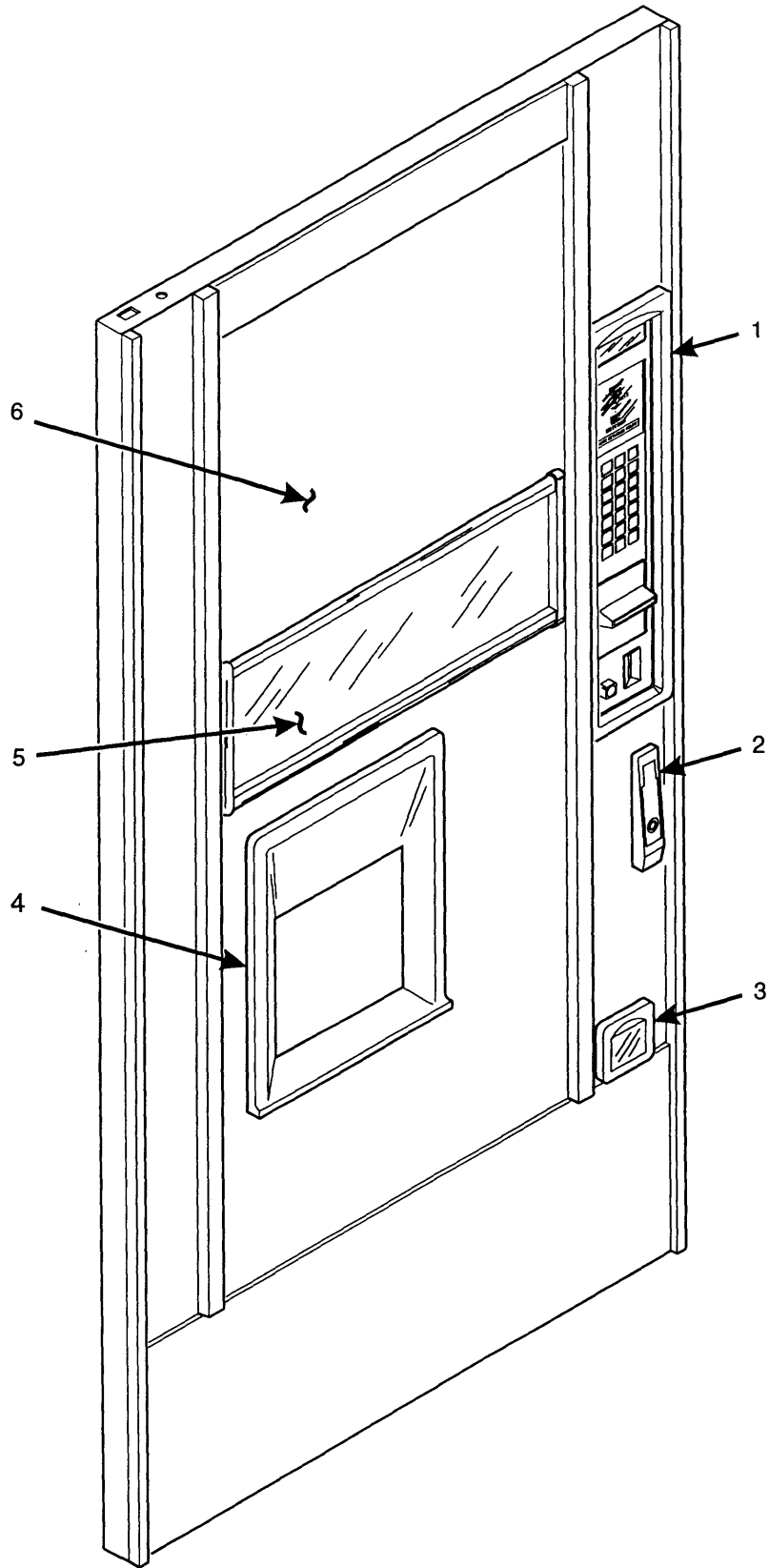


Figure 2. Door Assembly (Part 1 of 2)

**TABLE 3. PLASTIC BAG ASSEMBLY 6381007 - DOMESTIC
(NOT SHOWN)**

PART NUMBER	DESCRIPTION	QTY.
WD638000	WIRING DIAGRAM - GFD-4 COFFEE - 115V - DOMESTIC	1
1300018	BAG - PLASTIC	1
3158026	LABEL - EVERPURE - SMALL - 7001-07	1
6230071	LABEL - FRENCH VANILLA CAFE	1
6230072	LABEL - SUISSE MOCHA, 5.25X1.1	1
6230073	LABEL - CAFE VIENNA	1
6232080	LABEL - PRICE, CUP SIZE, BLANK	1
6237063	NOZZLE - DISPENSING - CANISTER	2
6237117	REMOVAL TOOL - IMPELLER	1
6237347	VINYL CAP - 1.00 ID. X .50 LG	7
6380001	DOCUMENTATION PACKAGE	1
6381008	LIST - BAG CONTENTS - 6381007	1

**TABLE 4. PLASTIC BAG ASSEMBLY 6381009 - S/A
(NOT SHOWN)**

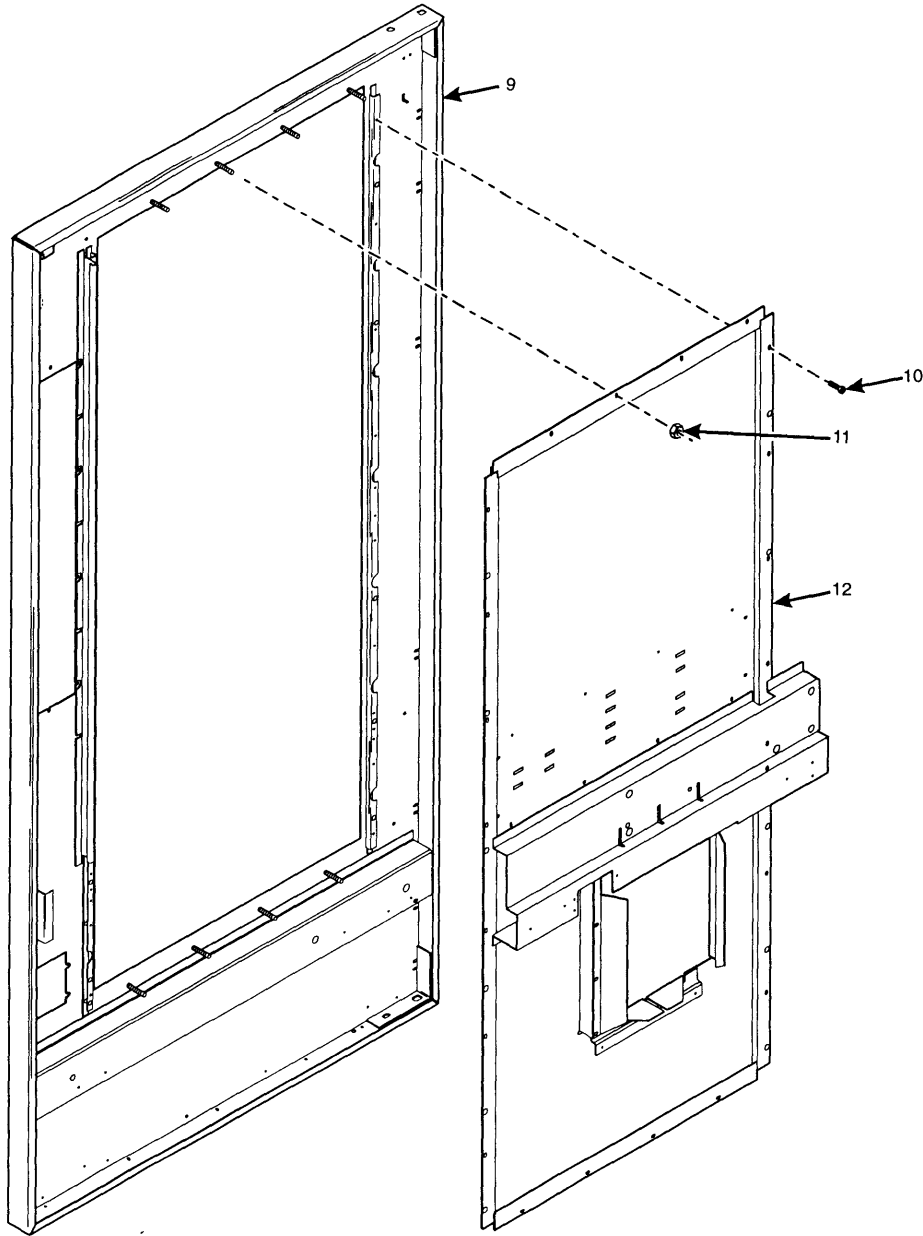
PART NUMBER	DESCRIPTION	QTY.
1300018	BAG - PLASTIC	1
3158026	LABEL - EVERPURE - SMALL - 7001-07	1
6237063	NOZZLE - DISPENSING - CANISTER	2
6237117	REMOVAL TOOL - IMPELLER	1
6237347	VINYL CAP - 1.00 ID. X .50 LG	7
6380001	DOCUMENTATION PACKAGE	1
6381010	LIST - BAG CONTENTS - 6381009	1
WD638001	WIRING DIAGRAM - GFD4/COFFEE - EXEC - 230V GLASCO	1
WD638002	WIRING DIAGRAM - GFD4/COFFEE - EXEC - 120V GLASCO	1

TABLE 2. DOOR ASSEMBLY (PART 1 OF 2)

INDEX	PART NUMBER	DESCRIPTION	QTY.
1	1575047	CASTING - MONETARY FRAME - BLACK	1
2	-	DOOR LOCK AND HANDLE ASSEMBLY (SEE FIGURE 8 FOR DETAILS)	1
3	-	COIN RETURN ASSEMBLY (SEE FIGURE 6 FOR DETAILS)	1
4	G6262015	FRAME - CUP DELIVERY DOOR - GRAY	1
5	-	DISPLAY ASSEMBLY (SEE FIGURE 15 FOR DETAILS)	1
6	6342035	DISPLAY - PHOTO - P.O.P. - OFFSET	1

TABLE 2. DOOR ASSEMBLY (PART 2 OF 2)

INDEX	PART NUMBER	DESCRIPTION	QTY.
9	1582001	WELD ASSEMBLY - DOOR	1
10	1451097	SCREW - #8-32X.31 HEX HD. TF - BLACK	-
11	9900081	NUT - #8-32 KEPS ZINC PLATE	-
12	6360812	CENTER PANEL - "T" LIGHT GRAY	1
	6380847	CENTER PANEL - "T" BLACK	



INTERIOR VIEW

Figure 2. Door Assembly (Part 2 of 2)

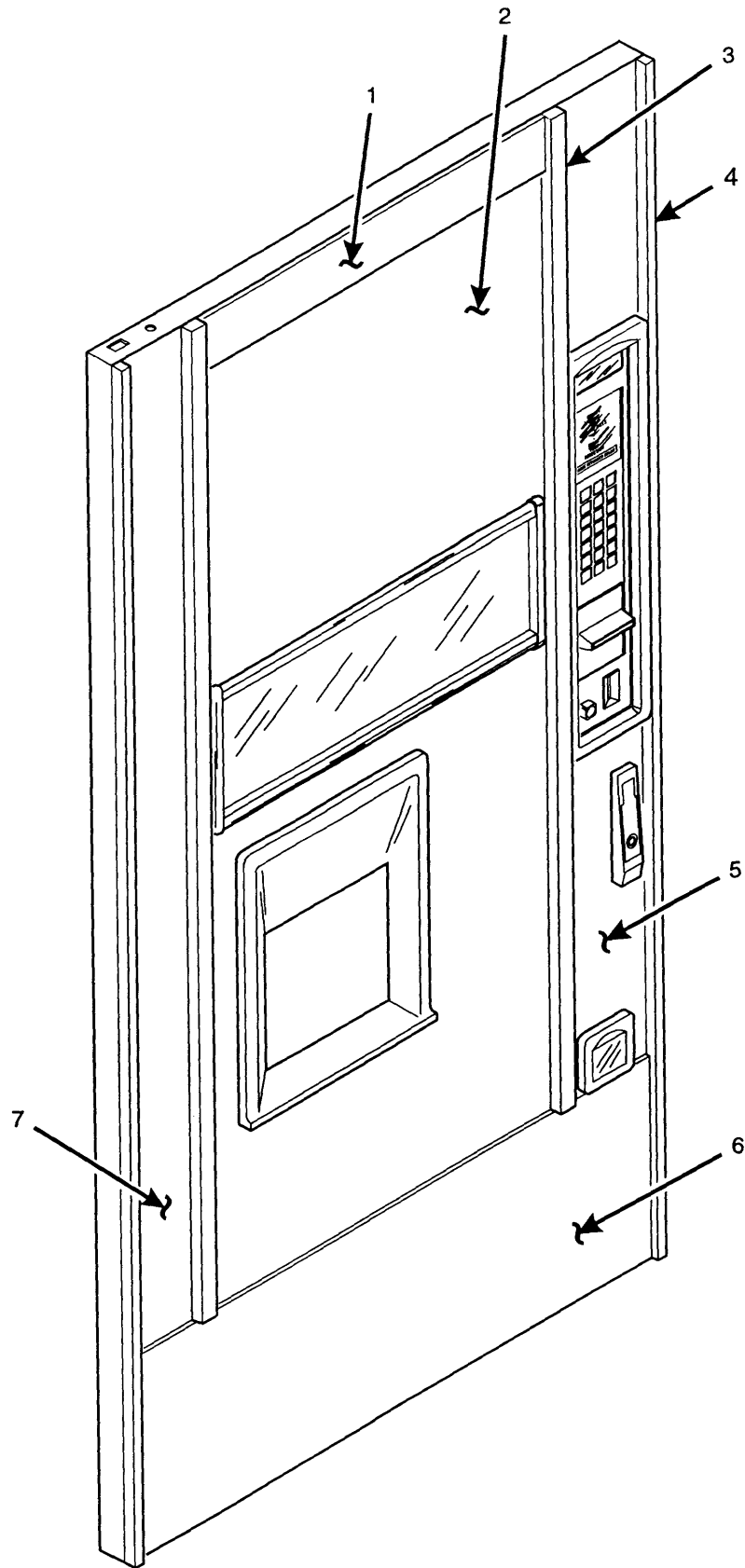


Figure 5. Common Trim Components

TABLE 7. DOOR LOCK ASSEMBLY

INDEX	PART NUMBER	DESCRIPTION	QTY.
1	REF	DOOR LOCK AND HANDLE ASSEMBLY (SEE FIGURE 8 FOR DETAILS)	1
2	1472178	LOCKBAR ASSEMBLY	1
3	--	SCREW	1
4	1472250	GUIDE - LOCK BAR	1

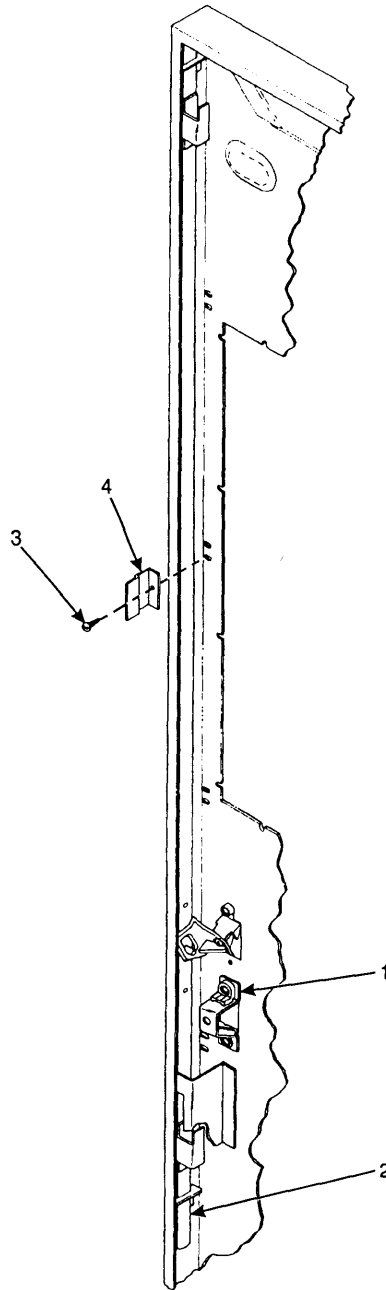


Figure 7. Door Lock Assembly

TABLE 5. COMMON TRIM AND PANEL COMPONENTS

INDEX	PART NUMBER	DESCRIPTION	QTY
1	4932002	PANEL - TOP - MEDIUM GRAY	1
	4922005	PANEL - TOP - T. BLACK	
2	6380829	P.O.P. DISPLAY OPTION - PICASSO	1
	6380828	P.O.P. DISPLAY OPTION - CONTEMPORARY	
3	G1472026	TRIM - DOOR - INSIDE	2
4	1592002	TRIM - DOOR - OUTSIDE	2
5	1592011	PANEL - RIGHT HAND TRIM - T. LIGHT GRAY	1
	1592012	PANEL - RIGHT HAND TRIM - T. BLACK	
6	1602010	PANEL & SUPPORT ASSEMBLY - LOWER - MEDIUM GRAY	1
	1602011	PANEL & SUPPORT ASSEMBLY - LOWER - T. BLACK	
7	1602012	PANEL - LEFT HAND TRIM - LIGHT GRAY	1
	1602013	PANEL - LEFT HAND TRIM - T. BLACK	

TABLE 6. COIN RECEPTACLE ASSEMBLY

INDEX	PART NUMBER	DESCRIPTION	QTY.
1	1572012	TRIM - COIN CUP - GRAY	1
2	4245084	SHAFT - DOOR - COIN RETURN	1
3	4245083	SPRING - COIN RETURN DOOR	1
4	4245082	GATE - COIN RETURN	1
5	1572010	CUP COIN RETURN	1
6	2302053	SPACER - CUP	4
7	-	SCREW, #8-32 X 1/2 PHS S/T	4

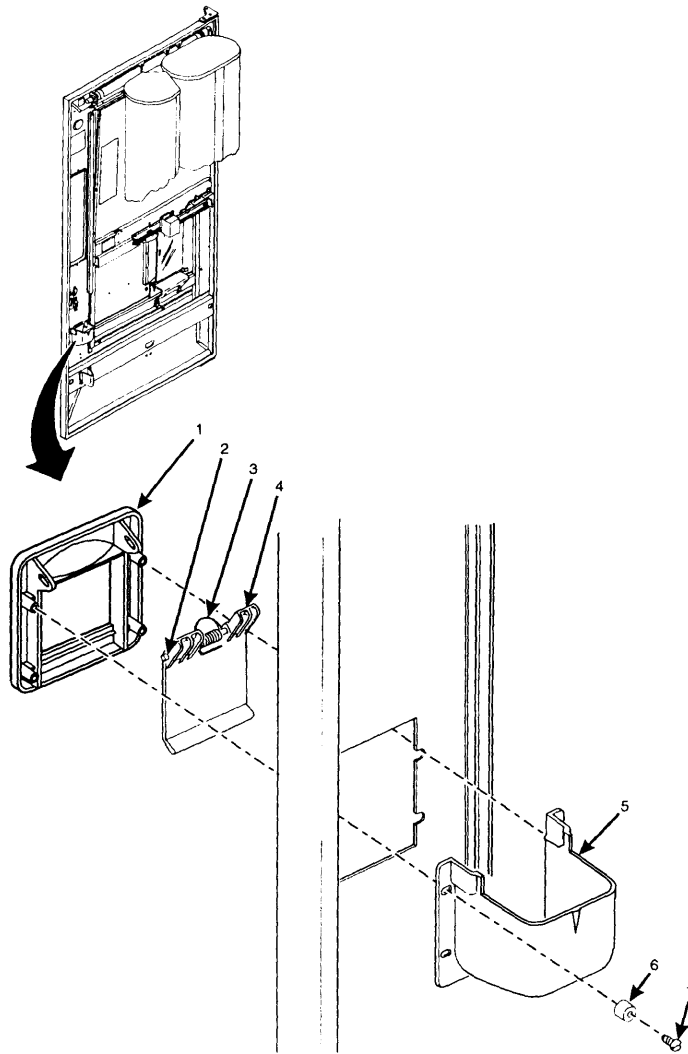


Figure 6. Coin Receptacle Assembly

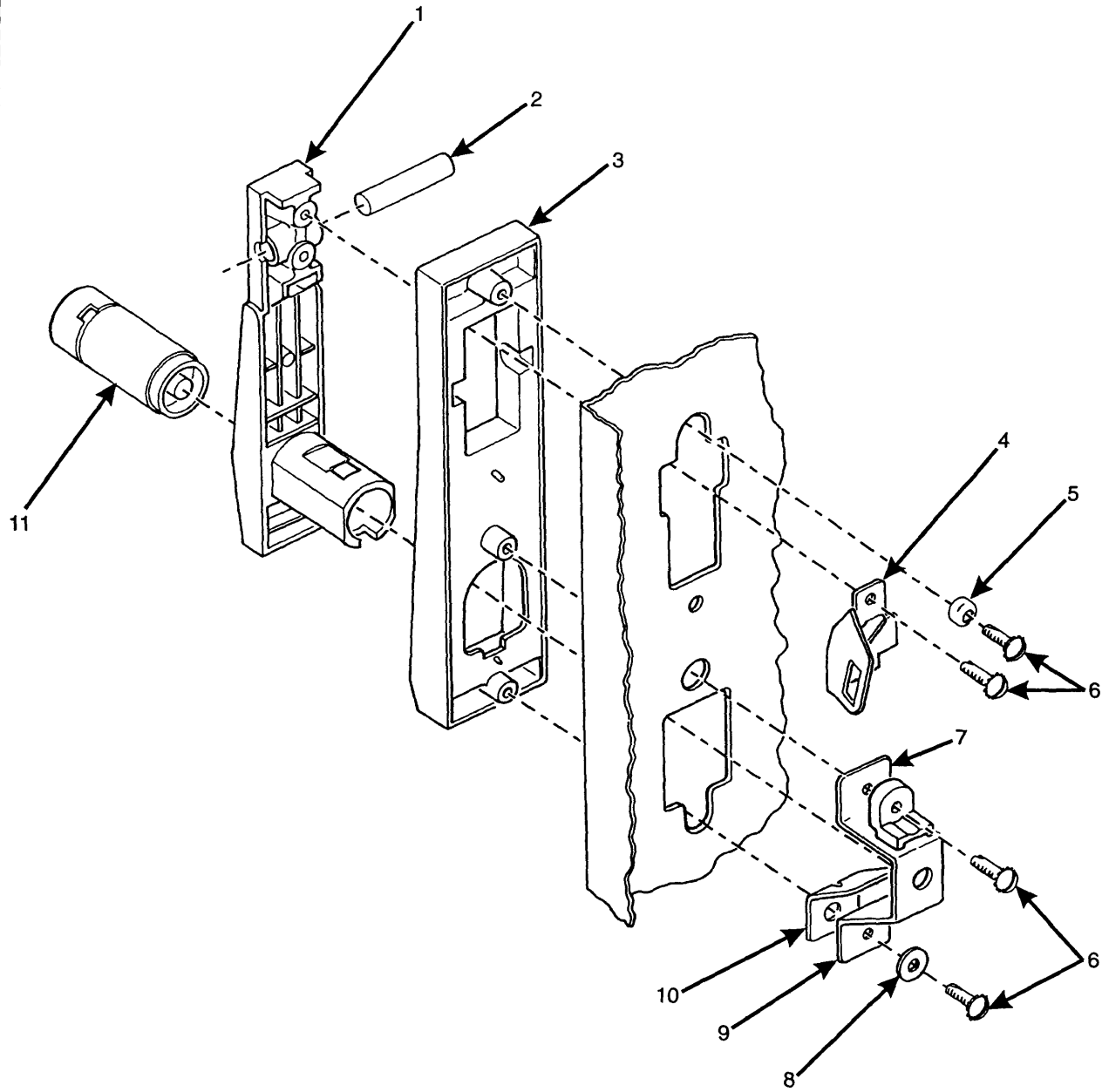


Figure 8. Door Lock and Handle Assembly

TABLE 9. MECH AND CANISTER ASSEMBLY - 7 COLUMN

INDEX	PART NUMBER	DESCRIPTION	QTY.
1	-	BOLT	2
2	6263000	MECH AND CANISTER ASSEMBLY S-7 (INCLUDES INDEX NUMBERS 3 - 8)	1
3	6233102	TURRET AND CANISTER ASSEMBLY - 7 COLUMN (SEE FIGURE 10 FOR DETAILS)	1
4	6233077	BOLT - #1/4 X 20 X 2	1
5	6131066	5/8 X .265 X .048 WASHER - ZINC	5
6	6263002	SPACER - .277 ID X .37	3
7	6263101	MECHANISM ASSEMBLY - 7 COLUMN (SEE FIGURE 11 FOR DETAILS)	2
8	6233007	FUNNEL - 3.25"	1

TABLE 8. DOOR LOCK AND HANDLE ASSEMBLY

INDEX	PART NUMBER	DESCRIPTION	QTY.
1	1172190	LEVER - LOCK	1
2	1302291	PIVOT - LEVER LOCK	1
3	1172191	BASE - LEVER LOCK	1
4	2272052	ACTUATOR ASSEMBLY - LOCK BAR	1
5	1302289	CUP SPACER	2
6	1217161	SCREW, #10-32 X 1/2 RHS W/LW	5
7	1302326	SHIELD - LATCH	1
8	9900121	WASHER - STEEL - 7/16 X .203 X .032	1
9	1302324	CATCH - DOOR LATCH	1
10	1302290	LATCH - LOCK LOWER	1
11	9992400	CYLINDER - LOCK	1
	3112163	VAN LOCK	(OPT)
-	3112164	KEY (NOT SHOWN) VAN LOCK APPLICATION (NOT SHOWN)	1 (OPT)

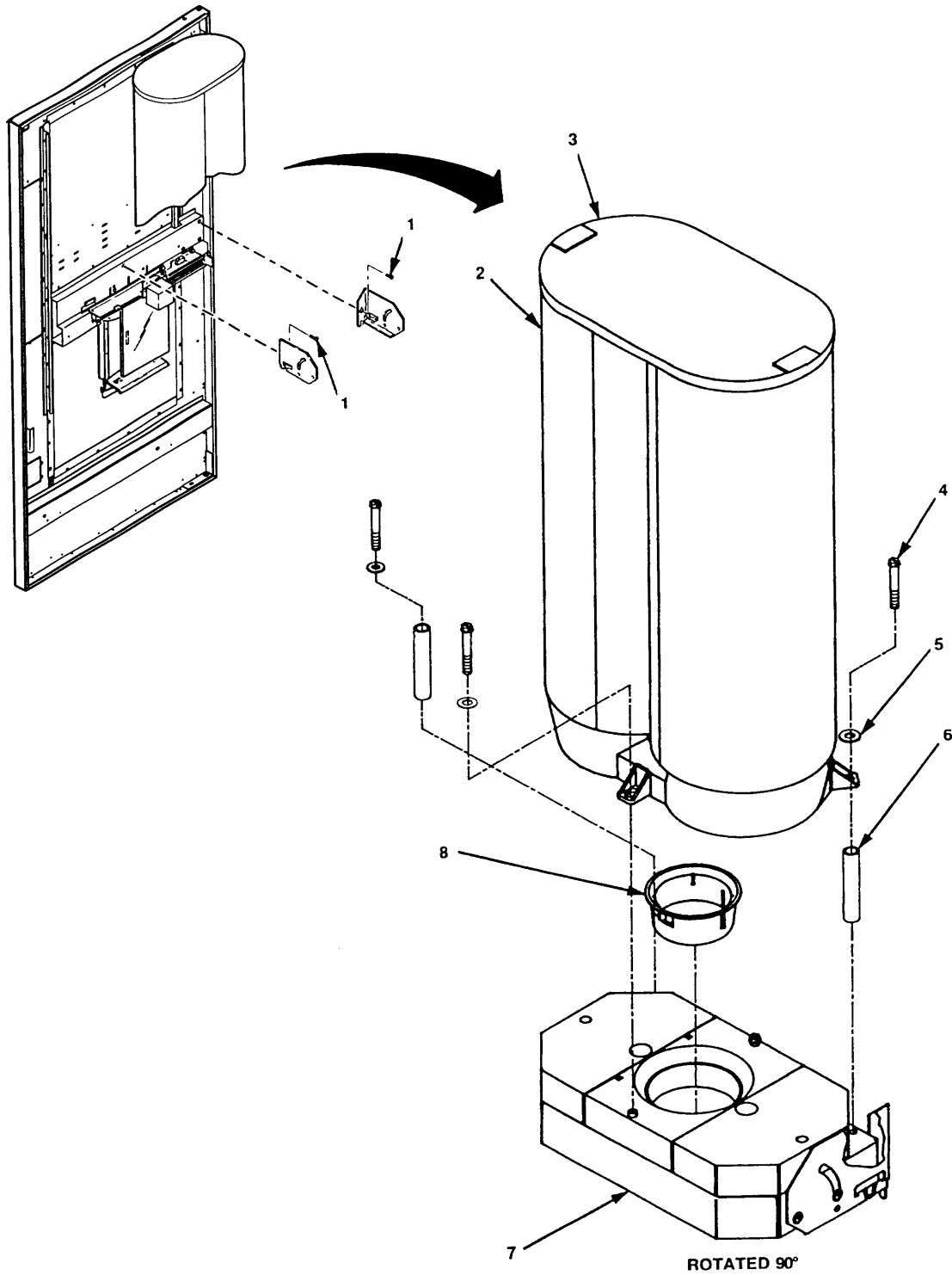


Figure 9. Mech And Canister Assembly - 7 Column

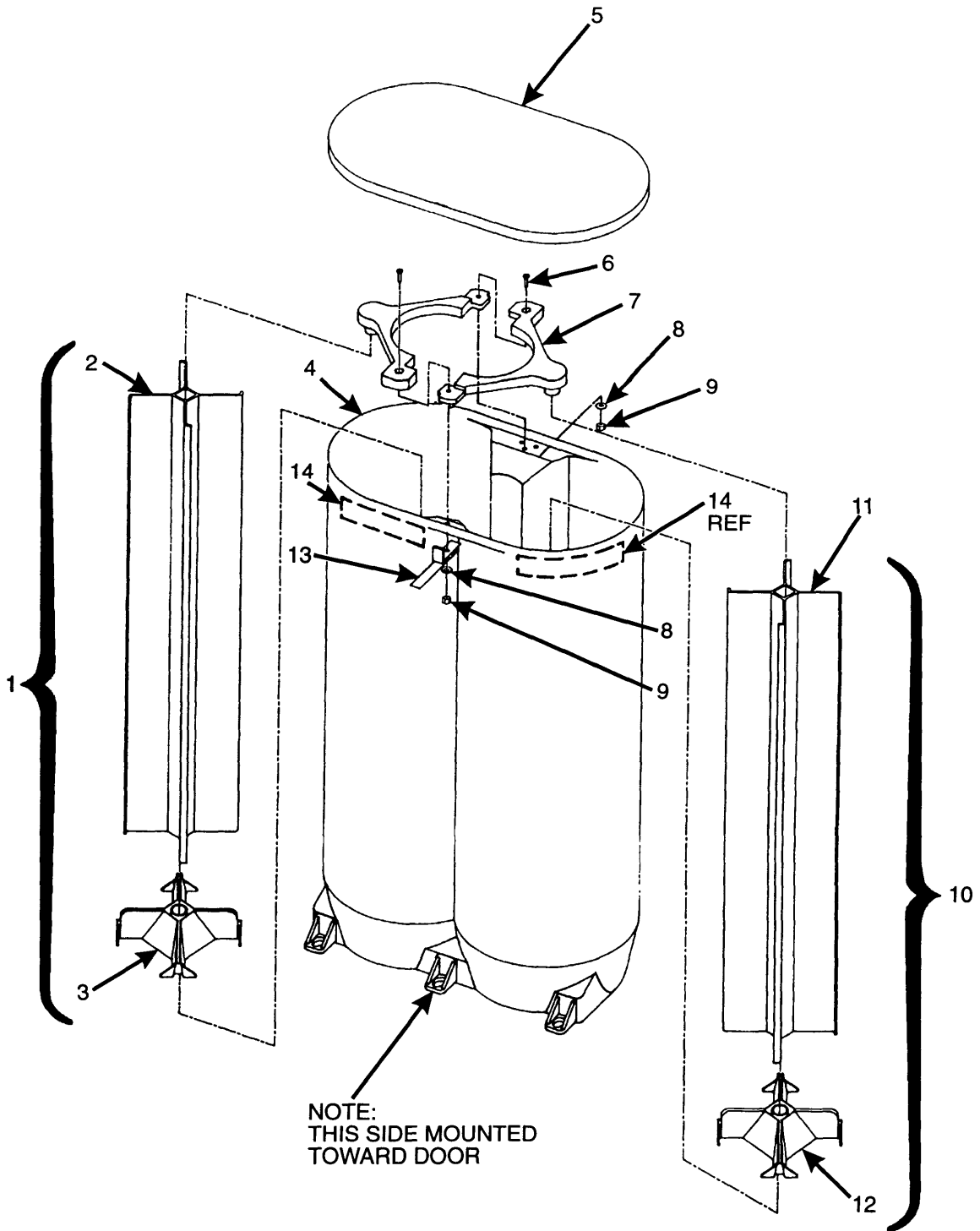


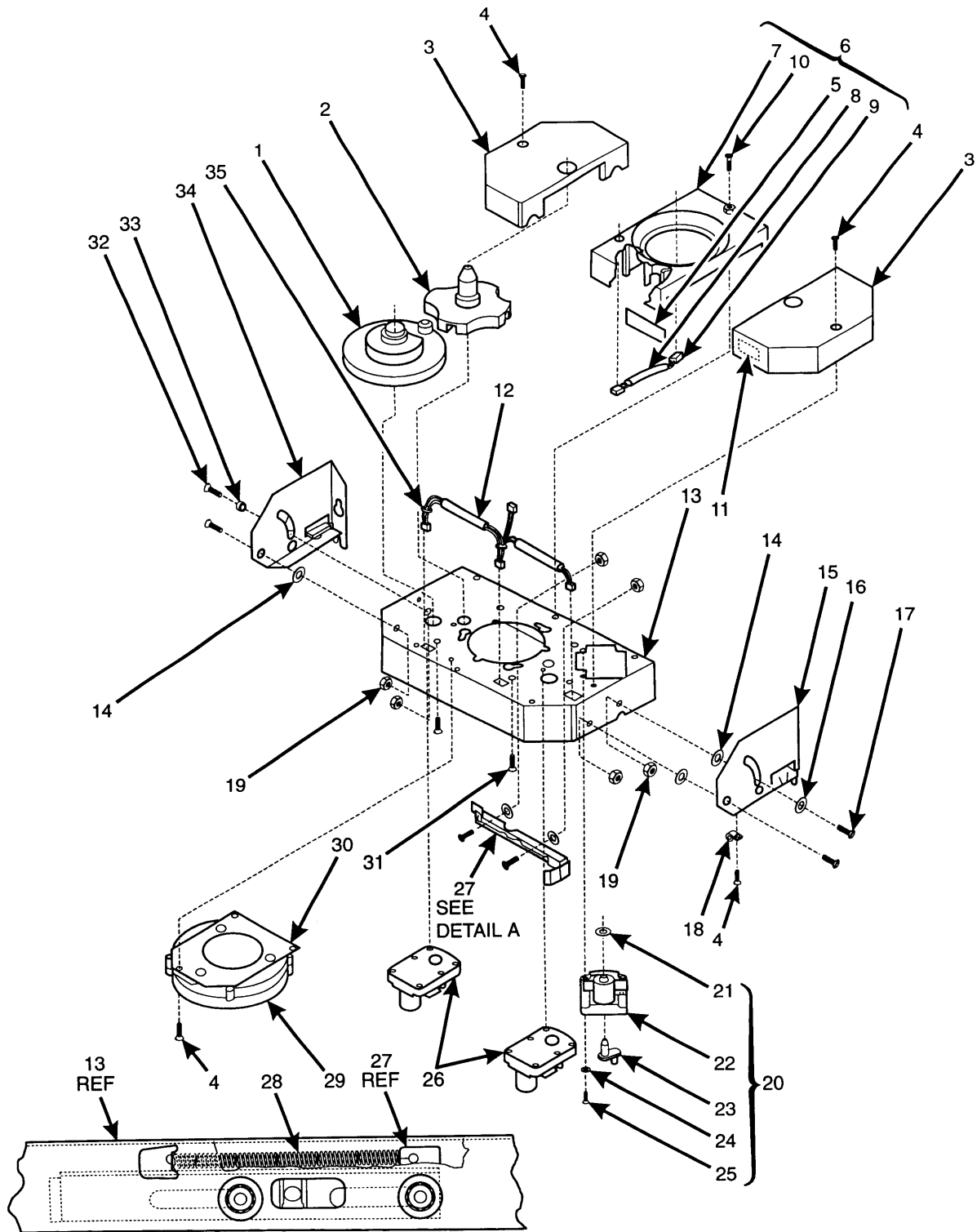
Figure 10. Turret And Canister Assembly - 7 Column

TABLE 10. TURRET AND CANISTER ASSEMBLY - 7 COLUMN

INDEX	PART NUMBER	DESCRIPTION	QTY.
-	6233102	TURRET AND CANISTER ASSEMBLY - 7 COLUMN	REF
1	6233108	TURRET ASSEMBLY 1A (INCLUDES INDEX NUMBERS 2 AND 3)	1
2	6233061	TURRET CENTER	1
3	6233048	BASE - TURRET	1
4	6233092	CANISTER - CUP - 7	1
5	6233093	LID - CANISTER - 7	1
6	9900115	SCREW - #8-32 X 3	2
7	6233030	BEARING TURRET	2
8	6138181	WASHER PLATE	2
9	9900081	NUT - #8-32 KEPS	2
10	6233109	TURRET ASSEMBLY 1B (INCLUDES INDEX NUMBERS 11 AND 12)	1
11	6233061	TURRET CENTER	1
12	6233048	BASE - TURRET	1
13	6233080	STRAP - CANISTER	1
14	6233095	LABEL - FILL LINE	2

TABLE 11. MECHANISM ASSEMBLY

INDEX	PART NUMBER	DESCRIPTION	QTY.
-	6263001	MECHANISM ASSEMBLY - 7 COLUMN	REF.
1	6233014	INDEX PLATE - GENEVA	2
2	6233013	DRIVER - GENEVA	2
3	6233010	COVER - END	2
4	1451097	SCREW - #8-32X.31 HEX HD.TF - BL	6
5	6233105	PCB ASSEMBLY - DETECTOR CUP SENSOR	1
6	6233104	COVER & LED ASSEMBLY (INCLUDES INDEX NUMBERS 7 - 9)	1
7	6233012	COVER - CENTER	1
8	6233106	HARNESS - CUP DETECTOR/LED JUMPER	1
9	6233107	PCB ASSEMBLY - LED - CUP SENSOR	1
10	6233077	BOLT-#1/4X20X2.38 HHS	1
11	6233074	LABEL - CUP TURRET LOADING (U.S.)	1
12	6269013	HARNESS - CUP MECHANISM	1
13	6263003	PLATE - BASE - 7 COLUMN	1
14	6233028	BUSHING	5
15	6233039	BRACKET - MECHANISM MOUNTING - LEFT	1
16	6404034	WASHER	5
17	6233021	SCREW-1/4 X 20 X .5 HEX HD	5
18	1452139	RETAINER HARNESS	1
19	4041241	NUT 1/4-20 SELF LOCKING	6
20	6233056	MOTOR & CRANK ARM ASSEMBLY (INCLUDES INDEX NUMBERS 21 - 23)	1
21	9900113	RETAINING RING E TYPE .218	1
22	1477112	MOTOR & PCB ASSEMBLY	1
23	6233058	CRANK ARM & ROLLER ASSEMBLY	1
24	9900034	WASHER - STEEL 3/8 X .170 X .0	9
25	1457027	8-32X.81 HHSI TAPTITE Z/Y	9
26	1477112	MOTOR & PCB ASSEMBLY	2
27	6233031	ACTUATOR ASSEMBLY - CUP RING (SEE FIGURE 13 FOR DETAILS)	1
28	4733035	SPRING - CUP RELEASE ARM	1
29	3143005	CUP RING ASSEMBLY - 7/12 OZ	1
30	6233001	PLATE - CUP RING MOUNTING	1
31	6233065	SCREW - #8-16X.38 PLAST. HHS	4
32	1141054	SCREW 1/4-20 X 3/4 HEX HD ZP	1
33	6233062	SPACER - .260 ID X .34 OD X .312	1
34	6233057	MOUNTING BRACKET ASSEMBLY - RIGHT (SEE FIGURE 14 FOR DETAILS)	1
35	6233072	GROMMET - STRAIN RELIEF	2



DETAIL A

Figure 11. Mechanism Assembly

TABLE 12. CUP RING ASSEMBLY

INDEX	PART NUMBER	DESCRIPTION	QTY.
-	3143005	CUP RING ASSEMBLY (5 OZ. TO 12 OZ.)	REF
1	3143006	HOUSING - CUP RING	2
2	3143007	GEAR - INTERNAL	1
3	3143130	CAM AND GEAR ASSEMBLY (INCLUDES INDEX NUMBERS 4 THROUGH 8)	6
4	3143017	RETAINER - CAM	1
5	3143129	CAM - CUP	1
6	3143013	ARM - CAM	1
7	3143015	GEAR - 10 TOOTH	1
8	3143016	GEAR - 18 TOOTH	1
9	3143008	GEAR - INTERNAL - ADJUSTER	1
10	3143010	SCREW - #8-16 X 1.12 PHS	4
11	3143009	SCREW - #8-32 X .50 PHS	1
12	3143011	NUT - #8-32 SELF LOCKING	1
13	6114121	WASHER ROLLER	1

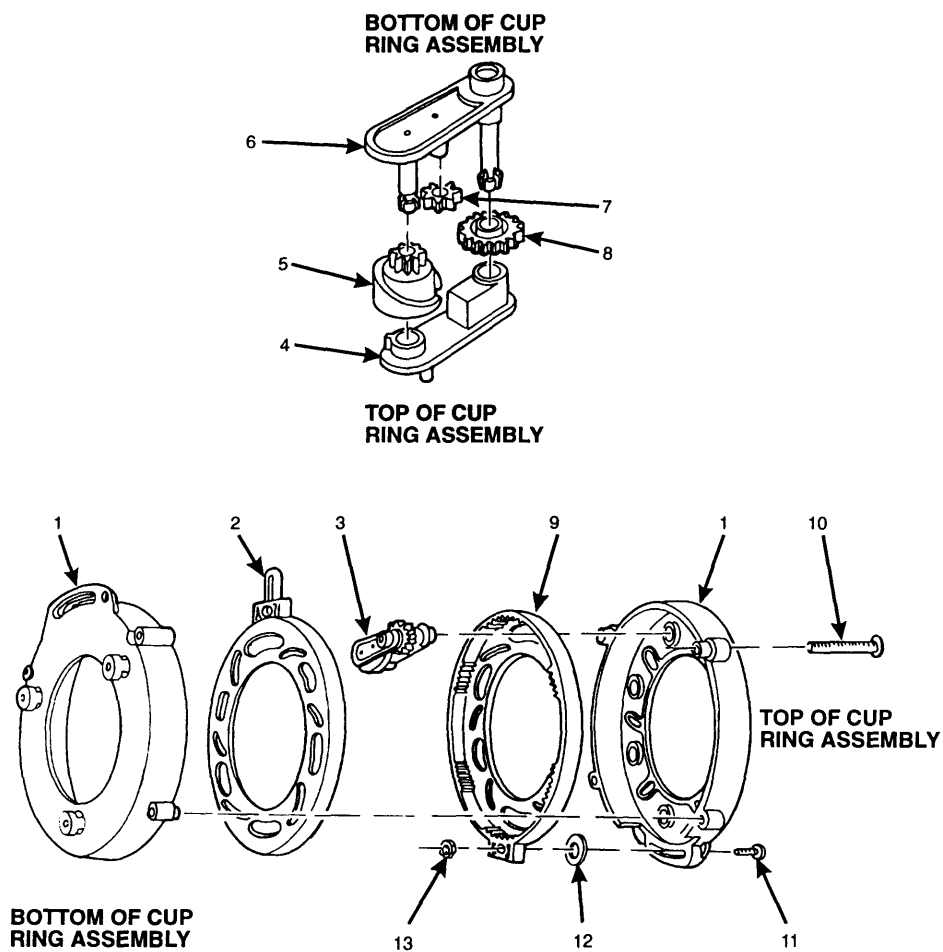


Figure 12. Cup Ring Assembly

TABLE 14. MOUNTING BRACKET ASSEMBLY

INDEX	PART NUMBER	DESCRIPTION	QTY.
-	6233057	MOUNTING BRACKET ASSEMBLY - RIGHT (SHOWN)	REF
1	4041241	NUT - 1/4 20 SELF LOCKING	1
2	6233038	BRACKET - MECH MOUNTING - RIGHT	1
-	6233019	BRACKET - MECH MOUNTING - LEFT (NOT SHOWN)	1
3	6233037	LATCH	1
4	6233021	SCREW-1/4 X 20 X .5 HEX HD	1
5	2301057	SPRING ELEVATOR STOP	1
6	6233028	BUSHING	1

TABLE 13. ACTUATOR ASSEMBLY - CUP RING

INDEX	PART NUMBER	DESCRIPTION	QTY.
-	6233031	ACTUATOR ASSEMBLY - CUP RING	REF
1	1451097	SCREW - #8-32 X .31 HEX HD T.F. - BLACK	2
2	6233040	RAMP - ACTUATOR	1
3	6233009	CAM - ACTUATOR	1
4	6233032	ACTUATOR - CUP RING	1

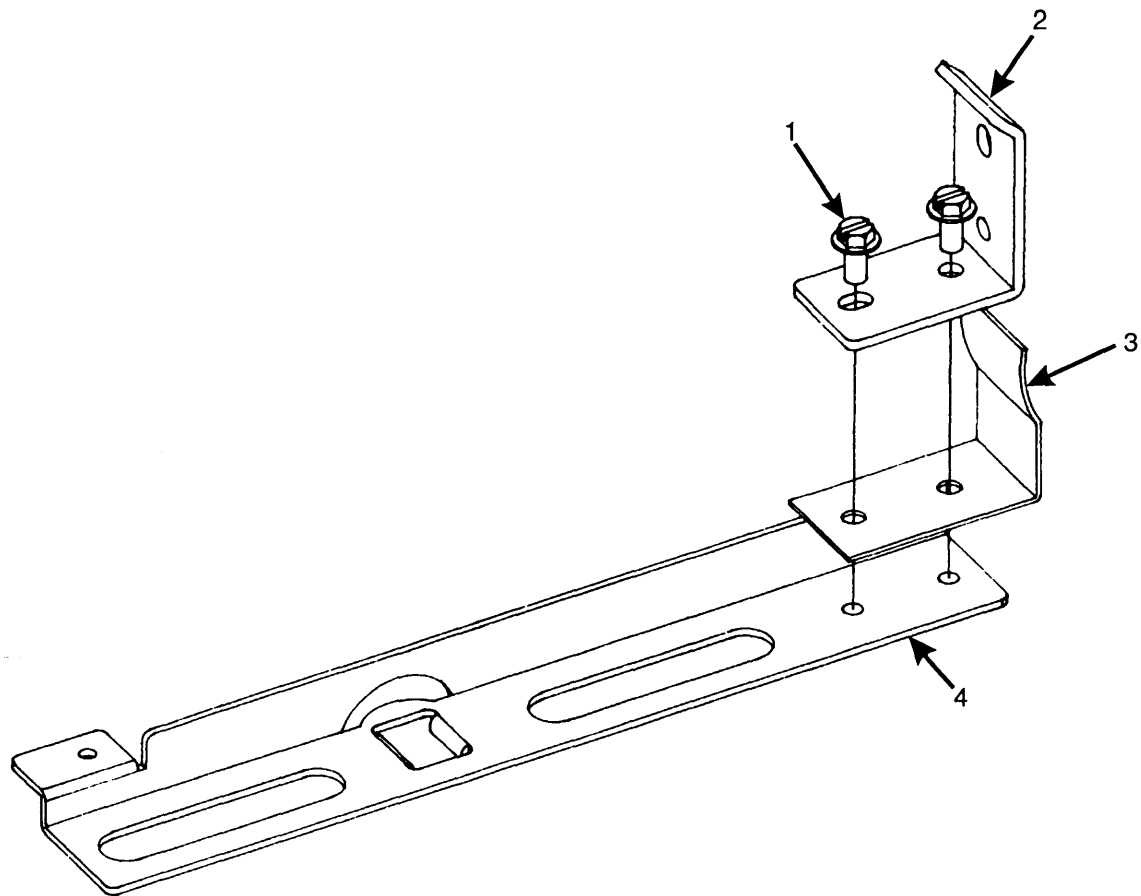


Figure 13. Actuator Assembly - Cup Ring

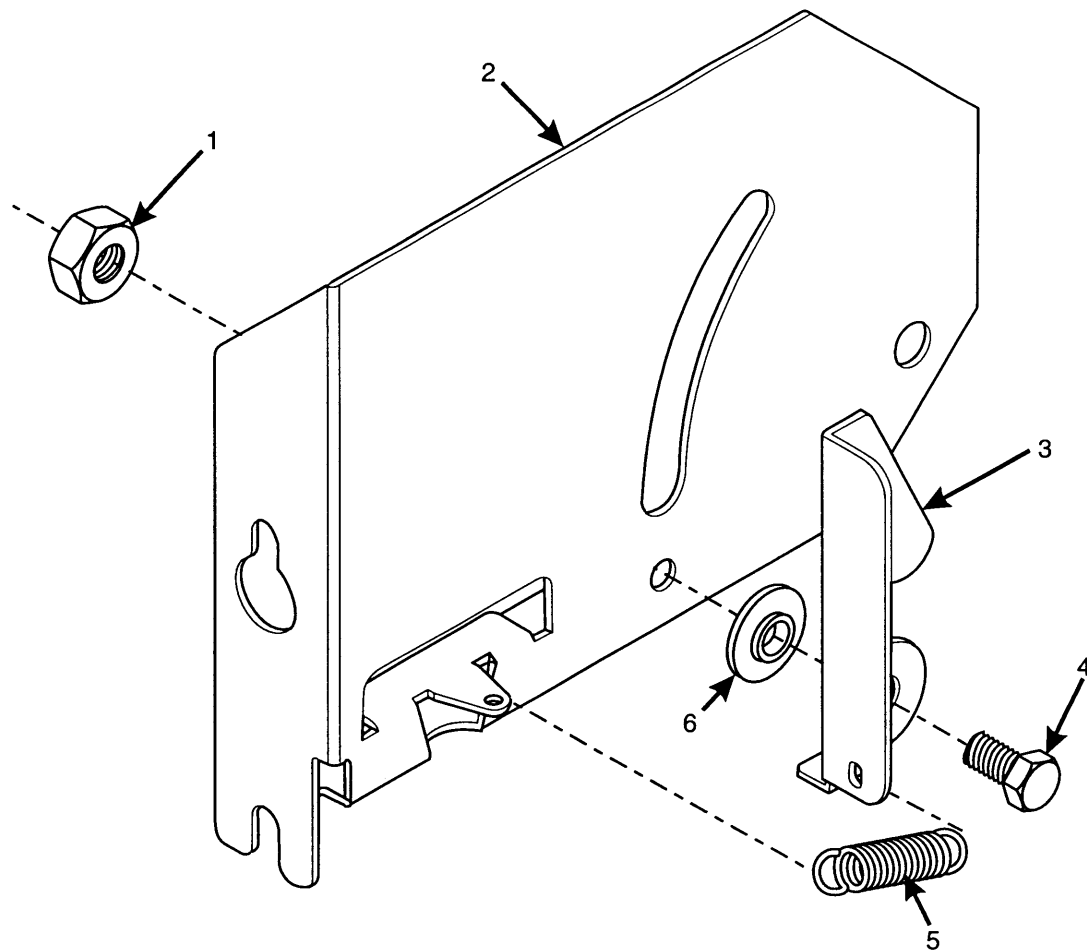


Figure 14. Mounting Bracket Assembly

TABLE 16. CABINET ASSEMBLY - INNER LAYER

INDEX	PART NUMBER	DESCRIPTION	QTY.
1	6341001	CABINET WELD ASSEMBLY	1
2	REF	MONETARY CHANNEL ASSEMBLY (SEE FIGURE 54 FOR DETAILS)	1
3	REF	POWER PANEL ASSEMBLY (SEE FIGURE 59, 60, OR 61 FOR DETAILS)	1
4	REF	WATER TANK ASSEMBLY (SEE FIGURE 45 FOR DETAILS)	1
5	6238105	COVER - HOT WATER VALVES	1
6	REF	SERVICE LIGHT AND BRACKET ASSEMBLY (SEE FIGURE 31 OR 32 FOR DETAILS)	1
7	REF	CUP STATION SUPPORT, OVERFLOW SWITCH (SEE FIGURE 22 FOR DETAILS)	-
8	REF	CANISTER SUPPORT CHANNEL (SEE FIGURE 41 FOR DETAILS)	1
9	6231242	CHUTE - PAYOUT	1
10	6238081	LABEL - WATER VALVE POSITION (N.Z./U.K./U.S.)	1
11	REF	LEG, LEVELER, AND LEG AND HINGE ASSEMBLIES (SEE FIGURE 19 FOR DETAILS)	-
12	REF	WATER SUPPLY (SEE FIGURE 28, 28, OR 30 FOR DETAILS)	-
13	REF	VENTILATION ASSEMBLY (SEE FIGURE 25 FOR DETAILS)	-

TABLE 15. DISPLAY ASSEMBLY

INDEX	PART NUMBER	DESCRIPTION	QTY.
1	G6262030	INSERT - SEL. MENU - GLASCO - .025T (ALL)	1
	6382006	LABEL - MENU - ENGLISH - GLASCO	
2	G6262034	TRIM - SELECT INSERT - BLACK	1
3	G6262033	END CAP - MENU BOARD	2
-	G6262029	MENU INSERT - INT'L COF - GLASCO (NOT SHOWN)	1
-	G6262032	LABEL-INSTR.-MENU INSERT (NOT SHOWN)	1

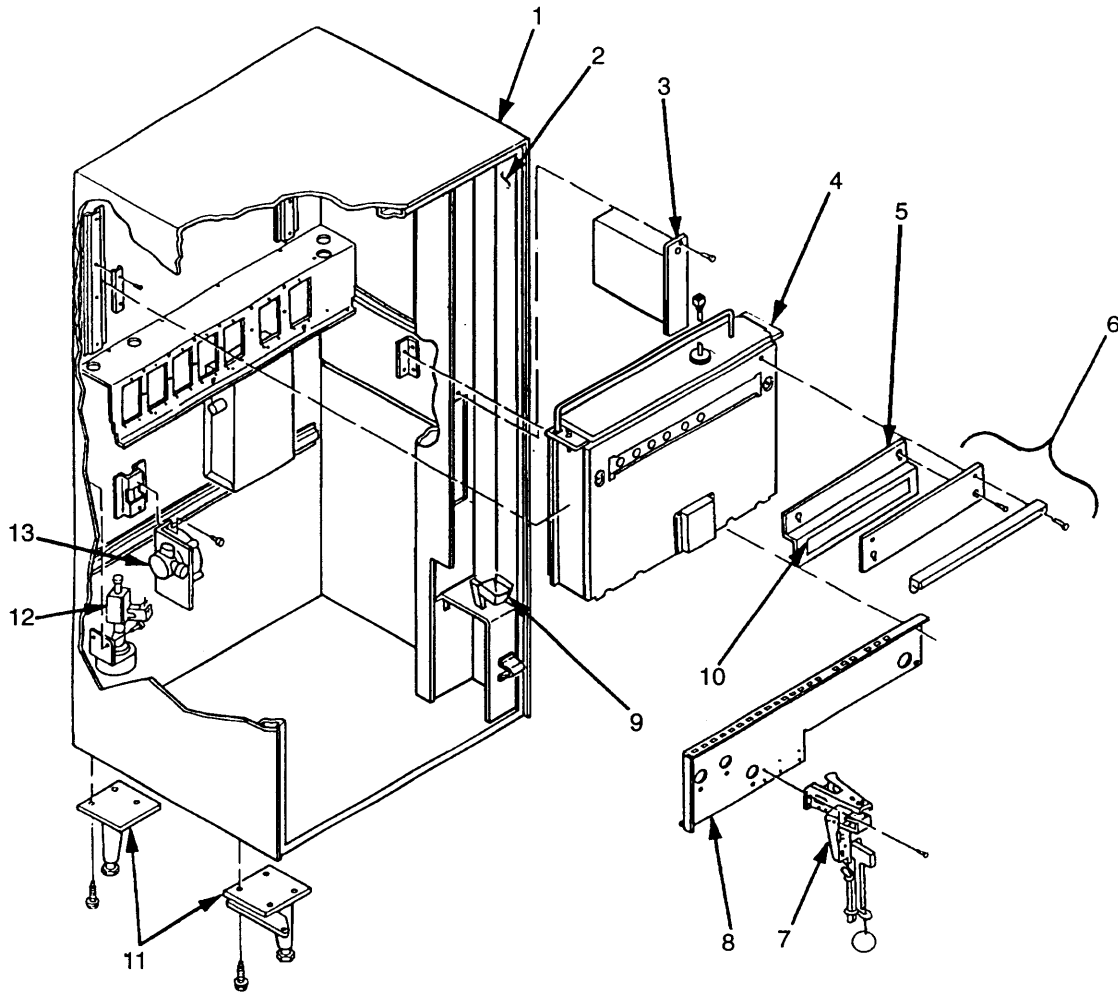


Figure 16. Cabinet Assembly - Inner Layer

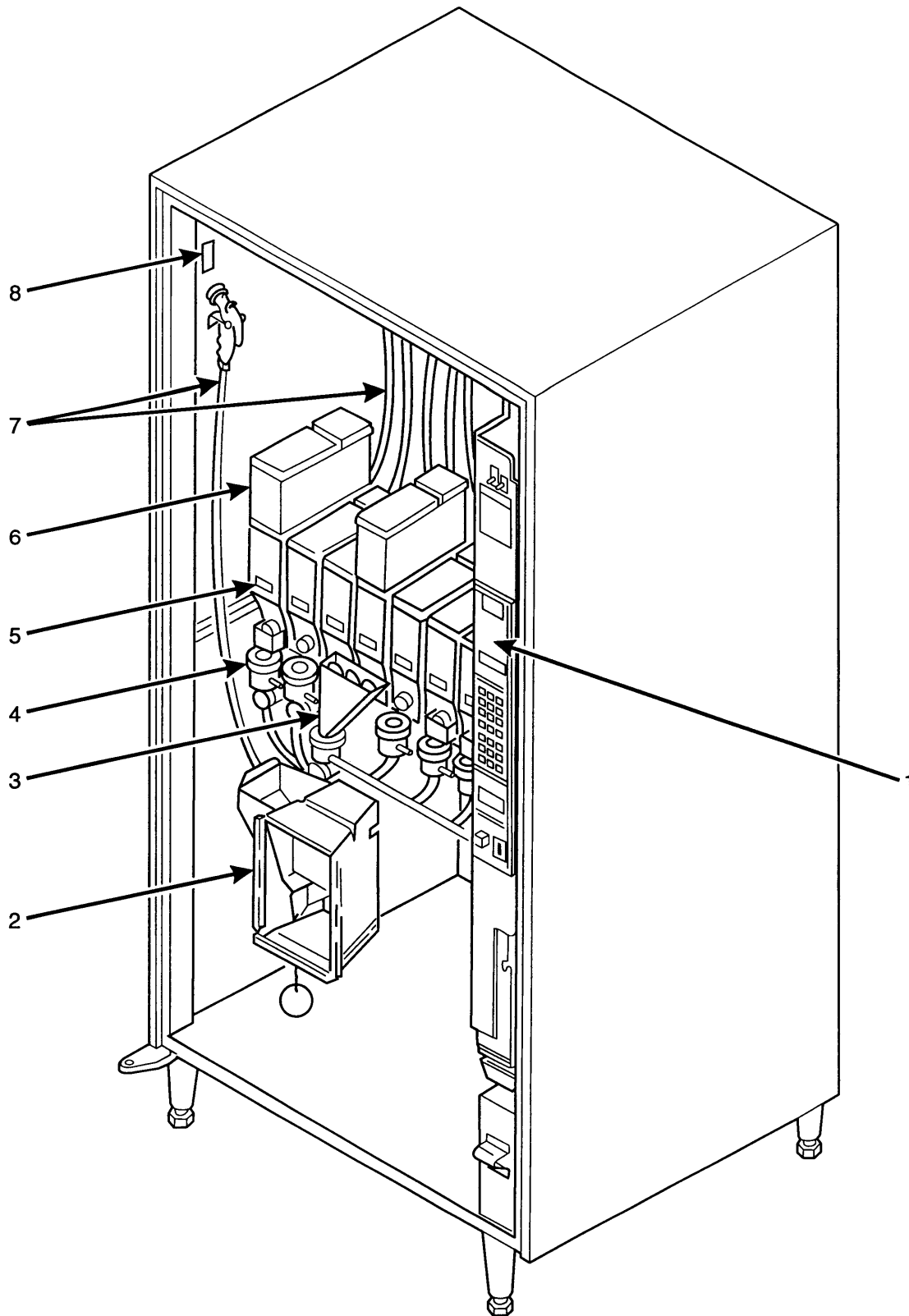


Figure 17. Cabinet Assembly - Outer Layer

TABLE 18. BASE PLATE ASSEMBLY

INDEX	PART NUMBER	DESCRIPTION	QTY.
1	9900098	COTTER PIN, 3/32	2
2	4311071	BRACKET - BASE PLATE	2
3	1411194	SLIDE - BASE PLATE - RIGHT HAND	1
4	1581023	BASE PLATE ASSEMBLY	1
5	1411195	SLIDE - BASE PLATE - LEFT HAND	1

TABLE 17. CABINET ASSEMBLY - OUTER LAYER

INDEX	PART NUMBER	DESCRIPTION	QTY.
1	REF	MONETARY PANEL ASSEMBLY (SEE FIGURE 48 FOR DETAILS)	-
2	REF	CUP DELIVERY ASSEMBLY (SEE FIGURE 21 FOR DETAILS)	OPT
3	REF	PRODUCT AND CONDIMENT CHUTES (SEE FIGURE 57 FOR DETAILS)	1
4	REF	CANISTER SUPPORT CHANNEL AND MIXING BOWL ASSEMBLIES (SEE FIGURE 40 FOR DETAILS)	-
5	6237086	LABEL - CANISTER (U.S.)	1
	6232295	LABEL - CANISTER (INTERNATIONAL)	
6	REF	INGREDIENT CANISTER ASSEMBLIES (SEE FIGURES 33 - 39 FOR DETAILS)	-
7	REF	LIQUID DISTRIBUTION AND DRAINAGE (SEE FIGURE 47 FOR DETAILS)	-
8	6231187	LABEL - HOSE - HOT WATER (U.S.)	1
	6232289	LABEL - HOSE - HOT WATER (INTERNATIONAL)	

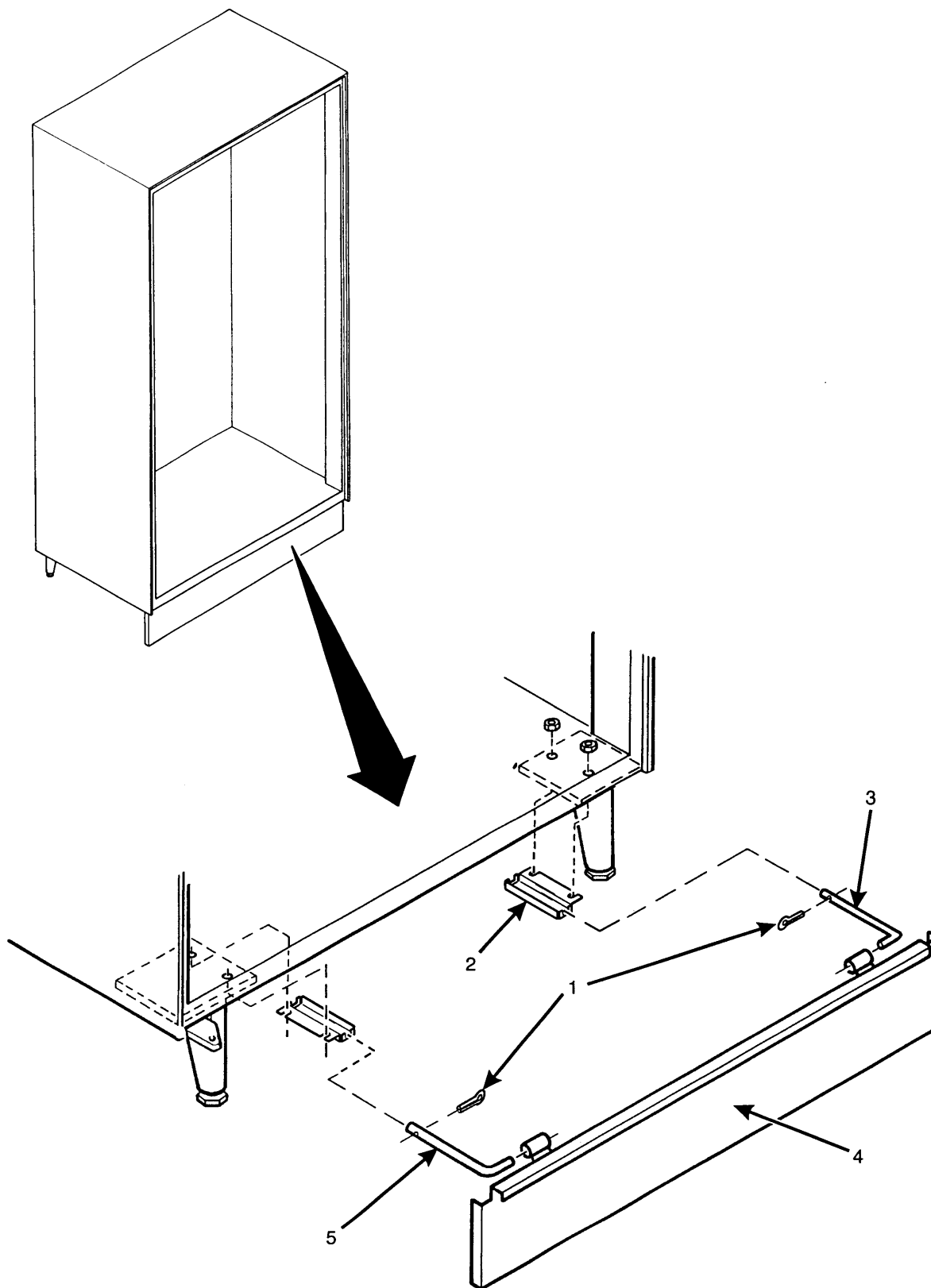


Figure 18. Base Plate Assembly

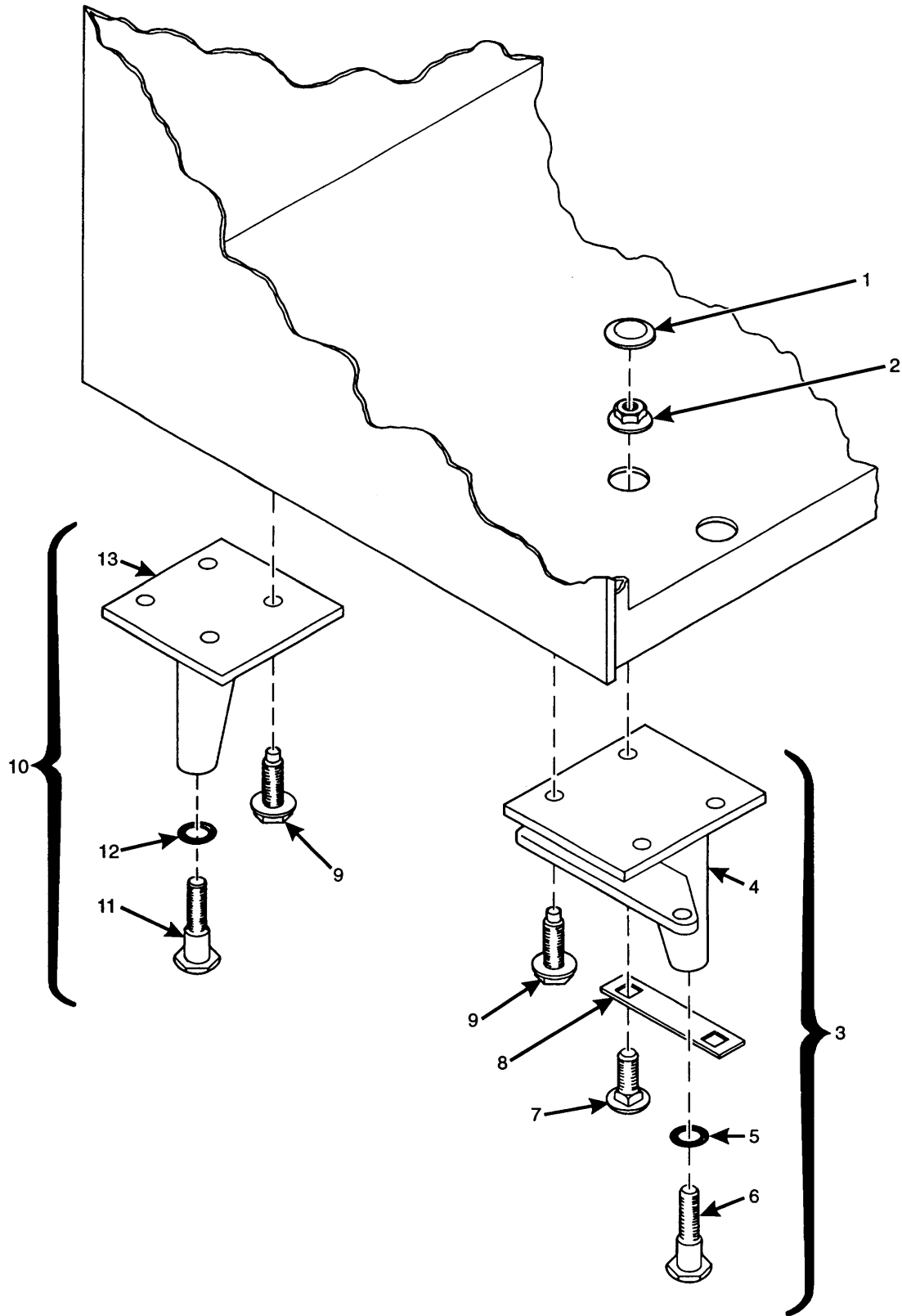


Figure 19. Leg, Leveler, and Leg and Hinge Assemblies

TABLE 20. MISCELLANEOUS LOOSE PARTS

INDEX	PART NUMBER	DESCRIPTION	QTY.
1	6231242	COIN RETURN CHUTE	1
2	6261480	LINER - FLOOR	1
3	6201025	WASTE BUCKET	1
4	1571029	MONEY BOX ASSEMBLY	1
5	1470761	LOCK ACCESSORY - MONEY BOX	1
	1101906	MONEY BOX LOCK - CHICAGO LK #18	(OPT)
6	-	CARTRIDGE - WATER FILTER (SEE FIGURE 28 OR 29 FOR DETAILS)	1 (OPT)

TABLE 19. LEG, LEVELER, AND LEG AND HINGE ASSEMBLIES

INDEX	PART NUMBER	DESCRIPTION	QTY.
1	6231034	PLUG - HOLE	2
2	1172021	NUT - 1/4-20 WHIZ-LOCK	2
3	6231163	LEG, HINGE, AND LEVELER ASSEMBLY (INCLUDES INDEX NUMBERS 4 THROUGH 6)	1
4	6231157	LEG AND HINGE ASSEMBLY	1
5	1471283	"O" RING - .49 ID X .10 DIA	1
6	1471098	LEVELER - CABINET	1
7	1211112	TRAY BOLT	2
8	6231203	PLATE - HINGE LEG BOLT	1
9	1451093	5/16 - 18 X 1.00 HW TAPTITE	14
10	1471237	LEG AND LEVELER ASSEMBLY - CABINET (INCLUDES INDEX NUMBERS 11 THROUGH 13)	3
11	1471098	LEVELER - CABINET	1
12	1471283	"O" RING - .49 ID X .10 DIA	1
13	1471236	LEG ASSEMBLY - CABINET	1

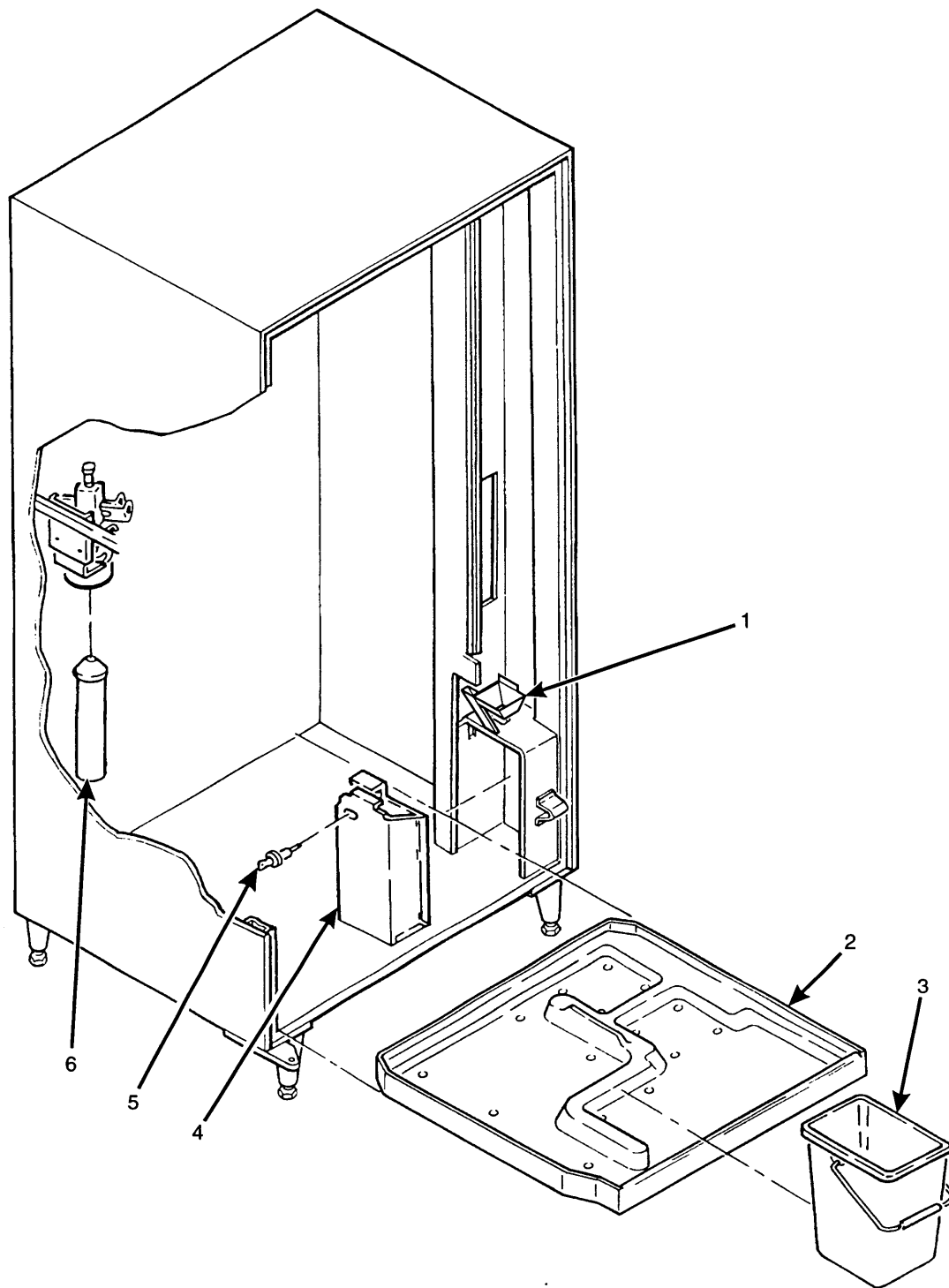


Figure 20. Miscellaneous Loose Parts

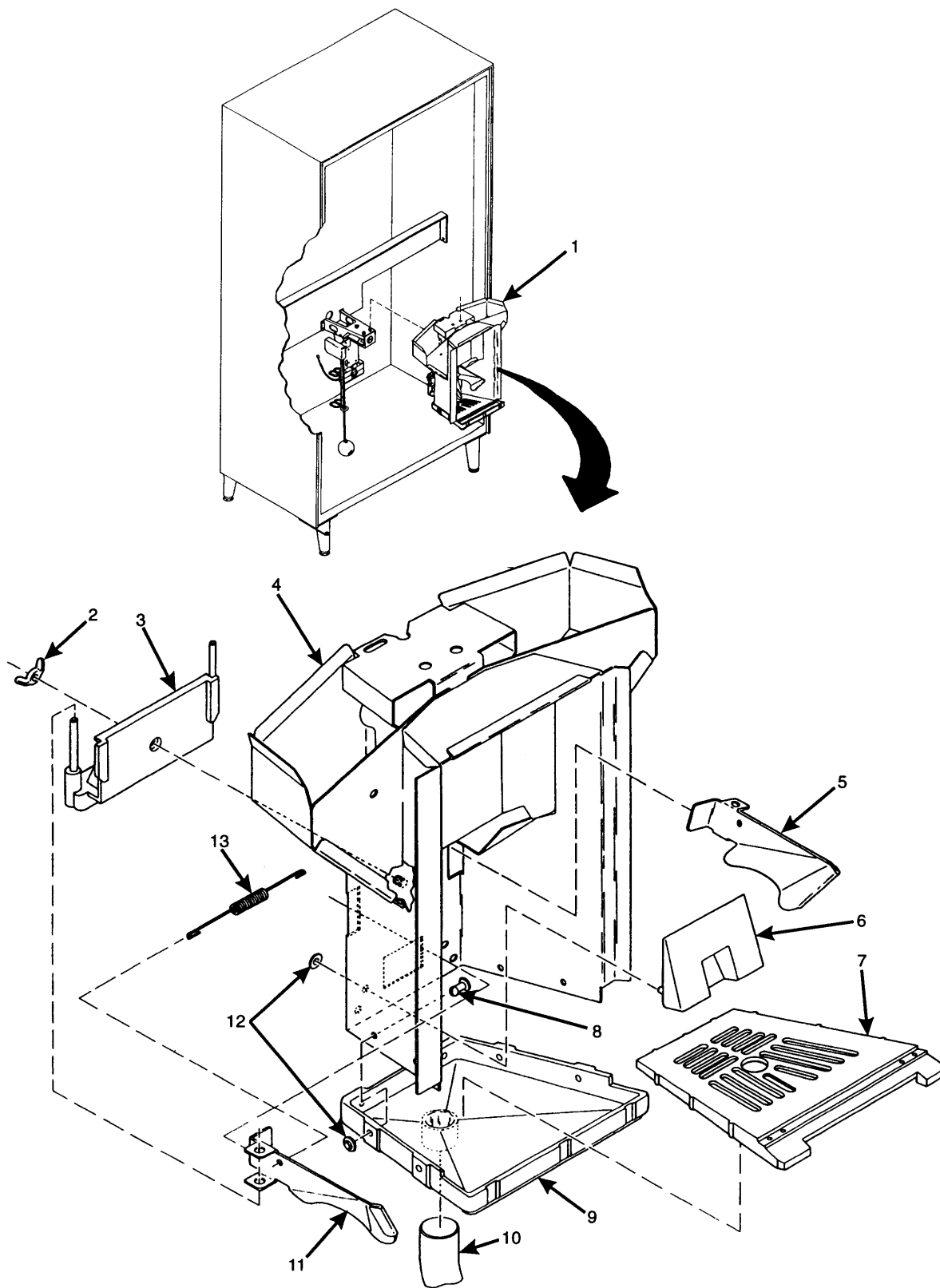


Figure 21. Cup Delivery Assembly

TABLE 22. CUP STATION SUPPORT AND OVERFLOW SWITCH

INDEX	PART NUMBER	DESCRIPTION	QTY.
1	6231198	SUPPORT ASSEMBLY - CUP STATION (SEE FIGURE 23 FOR DETAILS)	1
2	9900118	SCREW	
3	9900012	SCREW	-
4	6230035	COVER - OVERFLOW SWITCH	1
5	6231223	OVERFLOW SWITCH ASSEMBLY (SEE FIGURE 24 FOR DETAILS)	1
6	1451097	SCREW - #8-32 X .31 HEX HD T.F. - BLACK	2
7	9900081	NUT	-
-	2223680	SCREW - #6-19X .38 PHS T/C	1

TABLE 21. CUP DELIVERY ASSEMBLY

INDEX	PARTNUMBER	DESCRIPTION	QTY.
1	6261420	CUP DELIVERY ASSEMBLY (INCLUDES INDEX NUMBERS 2 - 13)	1
2	3103133	WING NUT #8-32 STAINLESS	1
3	6231488	MOUNTING ASSEMBLY - CUP DEFLECTOR	1
4	6261421	WELD ASSEMBLY - CUP DELIVERY	1
5	6231438	CUP DEFLECTOR - R.H.	1
6	6231443	CUP SPACER/SENSOR LENS	1
7	6231432	DRAIN TRAY - CUP DELIVERY COMPARTMENT	1
8	6231492	PUSH-IN FASTENER - CUP DELIVERY	6
9	6231489	BASE - CUP DELIVERY STATION	1
10	6231430	TUBE - DRAIN	1
11	6231439	CUP DEFLECTOR - L.H.	1
12	6231431	RETAINER - .188 - CUP DELIVERY	10
13	6231495	SPRING - CUP DEFLECTOR	1

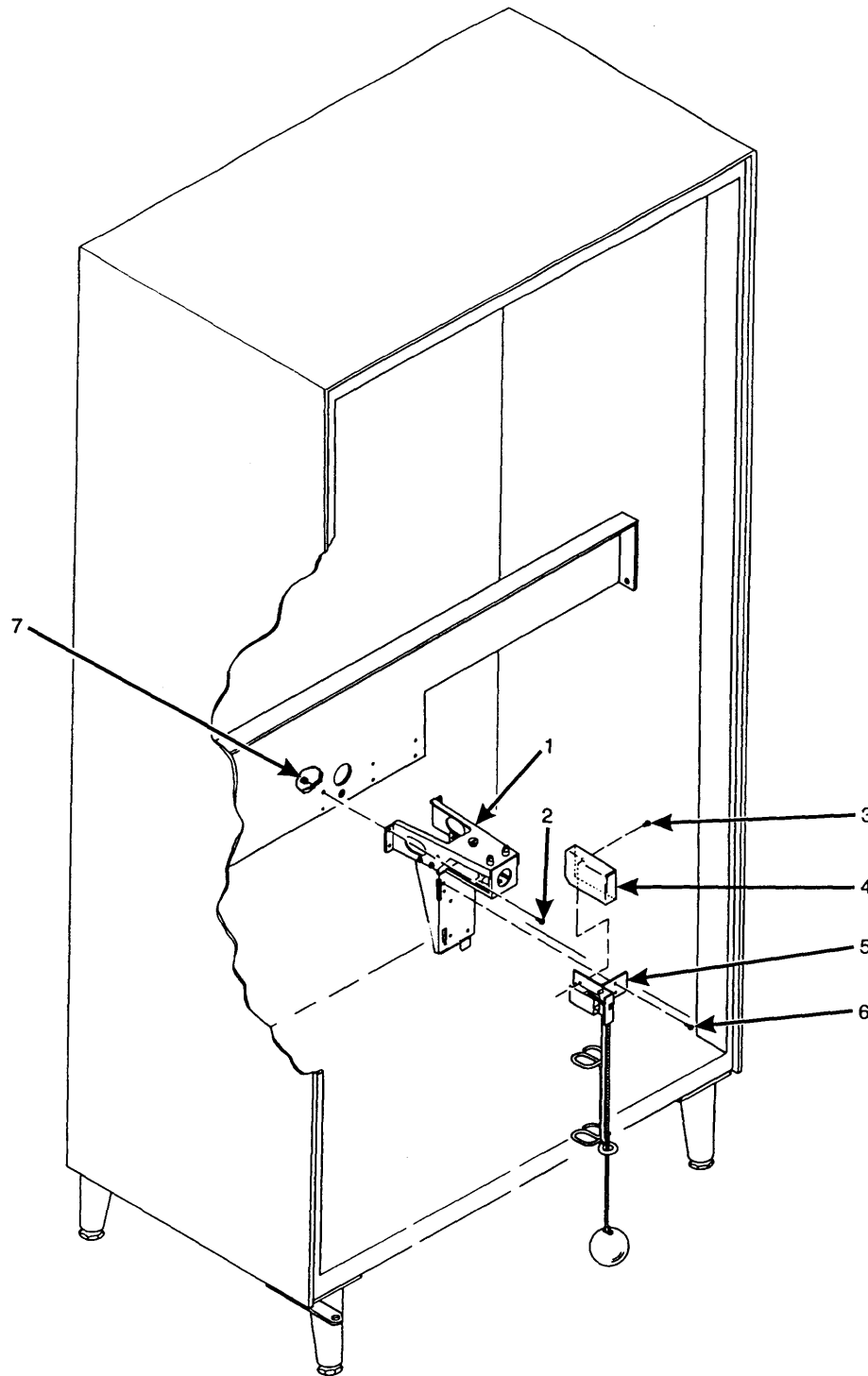


Figure 22. Cup Station Support and Overflow Switch

TABLE 23. SUPPORT ASSEMBLY - CUP STATION

INDEX	PART NUMBER	DESCRIPTION	QTY.
-	6231198	SUPPORT ASSEMBLY - CUP STATION	REF
1	6231126	SUPPORT - CUP STATION	1
2	4247204	STUD - STORAGE TRAY	1
3	4041102	STUD - COLUMN LOCATOR	2
4	6231153	CUP STATION SUPPORT	1
5	6117010	SPOUT - DISPENSING	OPT.
6	4711020	CAPLUG - SPOUT	1
7	1451097	SCREW - #8-32 X .31 HEX HD T.F. - BLACK	4

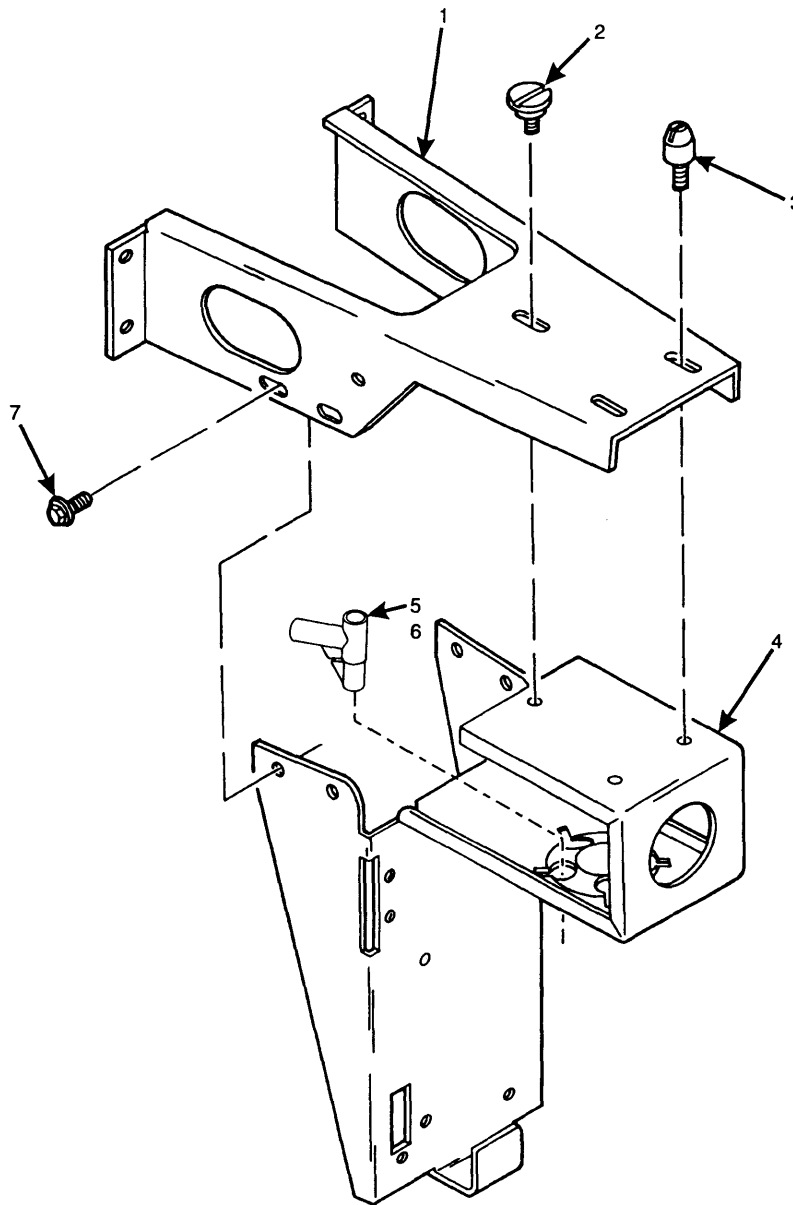


Figure 23. Support Assembly - Cup Station

TABLE 25. MIXING BOWL VENTILATION ASSEMBLY

INDEX	PART NUMBER	DESCRIPTION	QTY.
1	6237337	HOSE - EXHAUST - 18" LG	1
2	6137157	COUPLING VENT HOSE	2
3	-	SHELF VENT ASSEMBLY (SEE FIGURE 26 FOR DETAILS AND OPTIONS)	-
4	6231169	LABEL - EXHAUST FILTER INSP (U.S.)	1
	6232287	LABEL - EXHAUST FILTER INSP (INTERNATIONAL)	
5	-	BRACKET, BLOWER, AND COVER ASSEMBLY (SEE FIGURE 27 FOR DETAILS)	1

TABLE 24. OVERFLOW SWITCH ASSEMBLY

INDEX	PART NUMBER	DESCRIPTION	QTY.
-	6231223	OVERFLOW SWITCH ASSEMBLY	REF
1	6231507	BRACKET ASSEMBLY - OVERFLOW SWITCH	1
2	1217160	SCREW, 4-40 X 5/8 RHS	2
3	6151131	CHAIN - OVERFLOW SWITCH	1
4	4047054	SCREW, #8-18 X 1/2 RHS T/C	2
5	3116127	FLOAT - OVERFLOW SWITCH	1
6	1217159	NUT, 4-40 KEPS W/EXT L/WASHER	2
7	2304108	SWITCH LEVER V3L-131-D8	1
8	3121150	INSULATION - OVERFLOW SWITCH	1

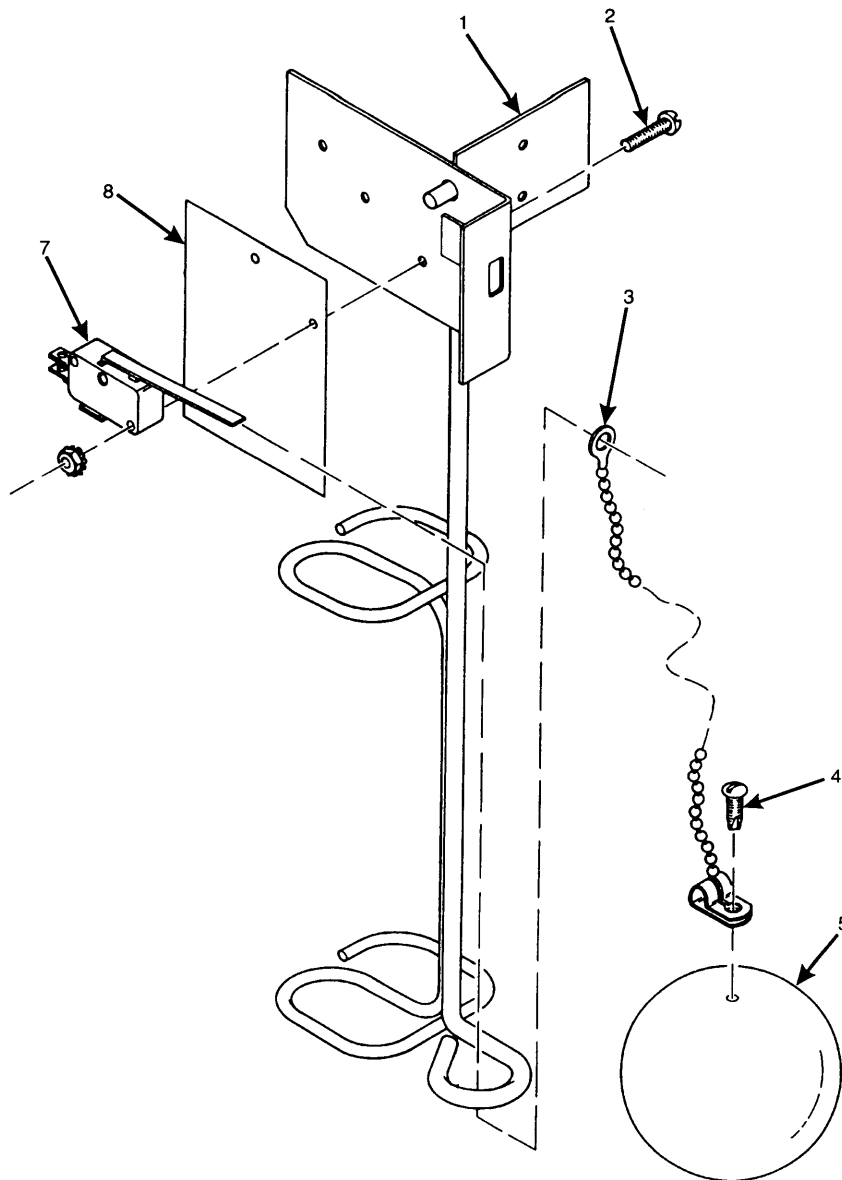


Figure 24. Overflow Switch Assembly

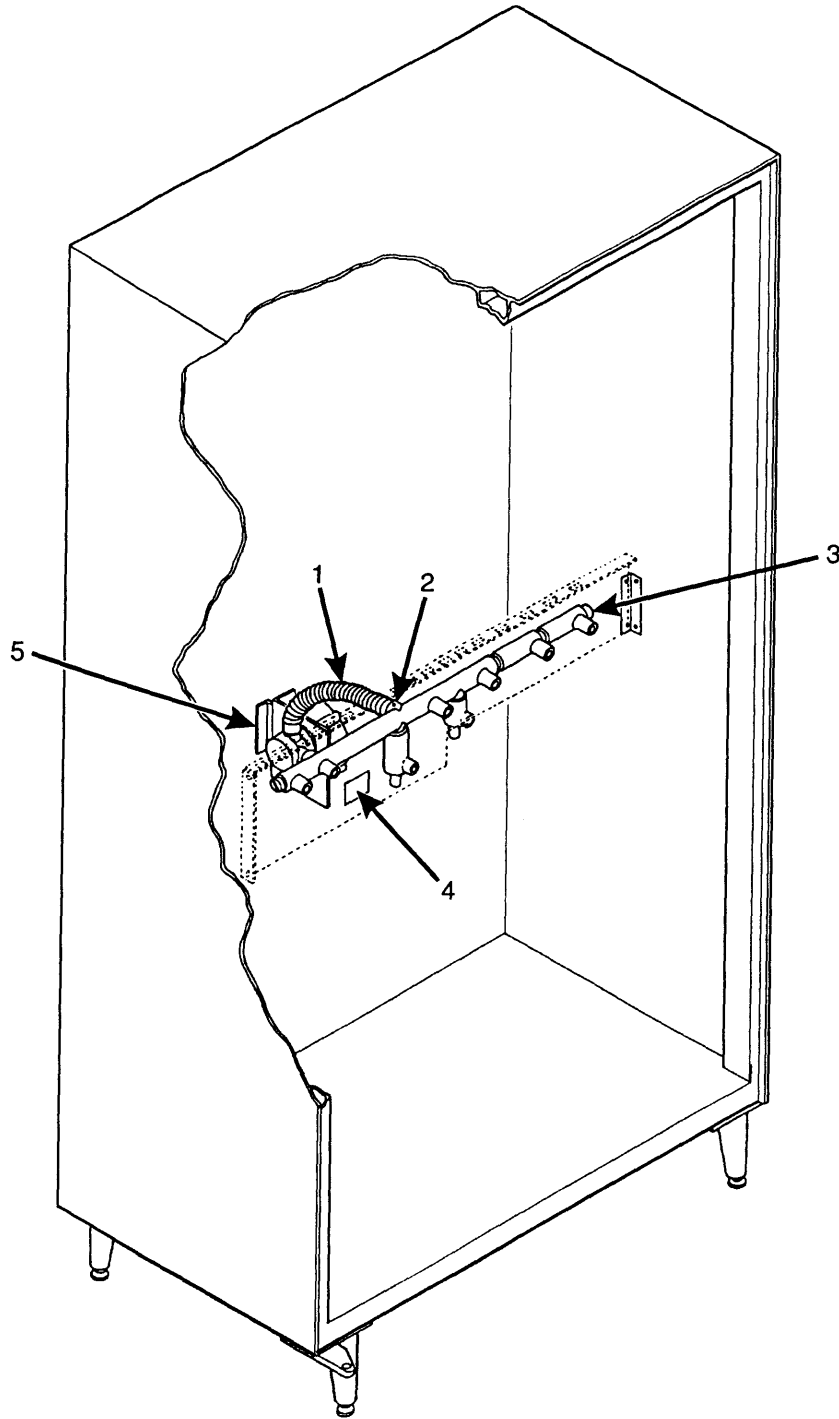


Figure 25. Mixing Bowl Ventilation Assembly

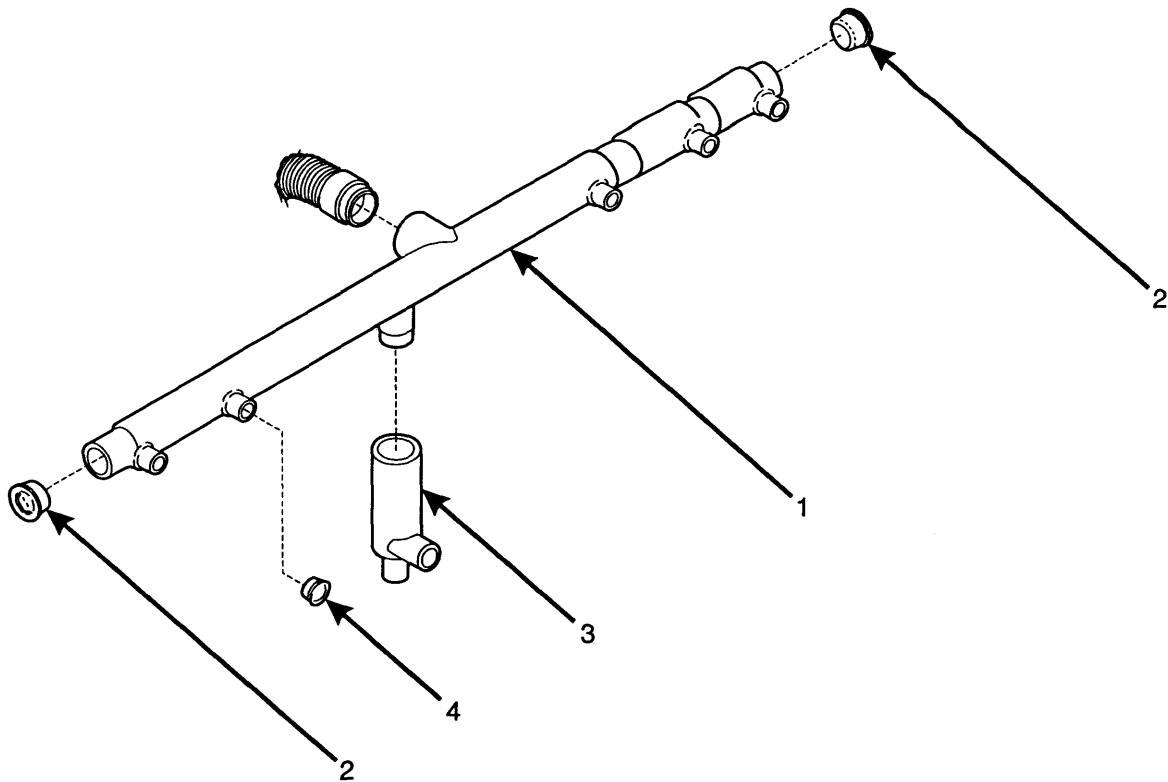


Figure 26. Shelf Vent Assemblies

TABLE 27. BRACKET, BLOWER, AND COVER ASSEMBLY

INDEX	PART NUMBER	DESCRIPTION	QTY.
-	6231555	BRACKET, BLOWER, AND COVER ASSEMBLY (115 VOLT MODELS ONLY)	1
	6331039	BRACKET, BLOWER, AND COVER ASSEMBLY (230 VOLT MODELS ONLY)	
1	6231074	GUARD - BLOWER MOTOR	1
2	1437204	SCREW - #8-10X.38 HEX HD.TF	2
3	1451097	SCREW - #8-32X.31 HEX HD.TF-BL	2
4	6231553	TIE DOWN - BLOWER ASSEMBLY	2
5	9989676	JUMPER - BLOWER	1
6	6231550	BRACKET ASSEMBLY - BLOWER MOUNTING (115 VOLT MODELS ONLY)	1
	6231550	BRACKET ASSEMBLY - BLOWER MOUNTING (230 VOLT MODELS ONLY)	
7	6237340	FILTER - EXHAUST BLOWER	1
8	6237342	HOUSING - EXHAUST BLOWER	1
9	6231548	BLOWER ASSEMBLY - 120V (115 VOLT MODELS ONLY)	1
	6401088	BLOWER ASSEMBLY-230V (230 VOLT MODELS ONLY)	
10	3502097	BUSHING #OCB-500	1
11	-	ATTACHING HARDWARE FOR ITEM #1	1
-	6237305	VINYL CAP-1.25 I.D	1

TABLE 26. SHELF VENT ASSEMBLIES

INDEX	PART NUMBER	DESCRIPTION	QTY.
1	6267310	VENT ASSEMBLY - F.D. (NO SOUP) (MODEL 636 ONLY) (INCLUDES INDEX NUMBERS 2 - 4)	OPT.
	6267311	VENT ASSEMBLY - F.D. (WITH SOUP) (U.S.) (INCLUDES INDEX NUMBERS 2 AND 3)	
2	6237335	VINYL CAP-1.000 I.D.X .50 LG	2
3	6237470	VENT - EXTENSION - SUGAR/LIGHTENER	1
4	6237303	PLUG-CENTER PULL-.56	1

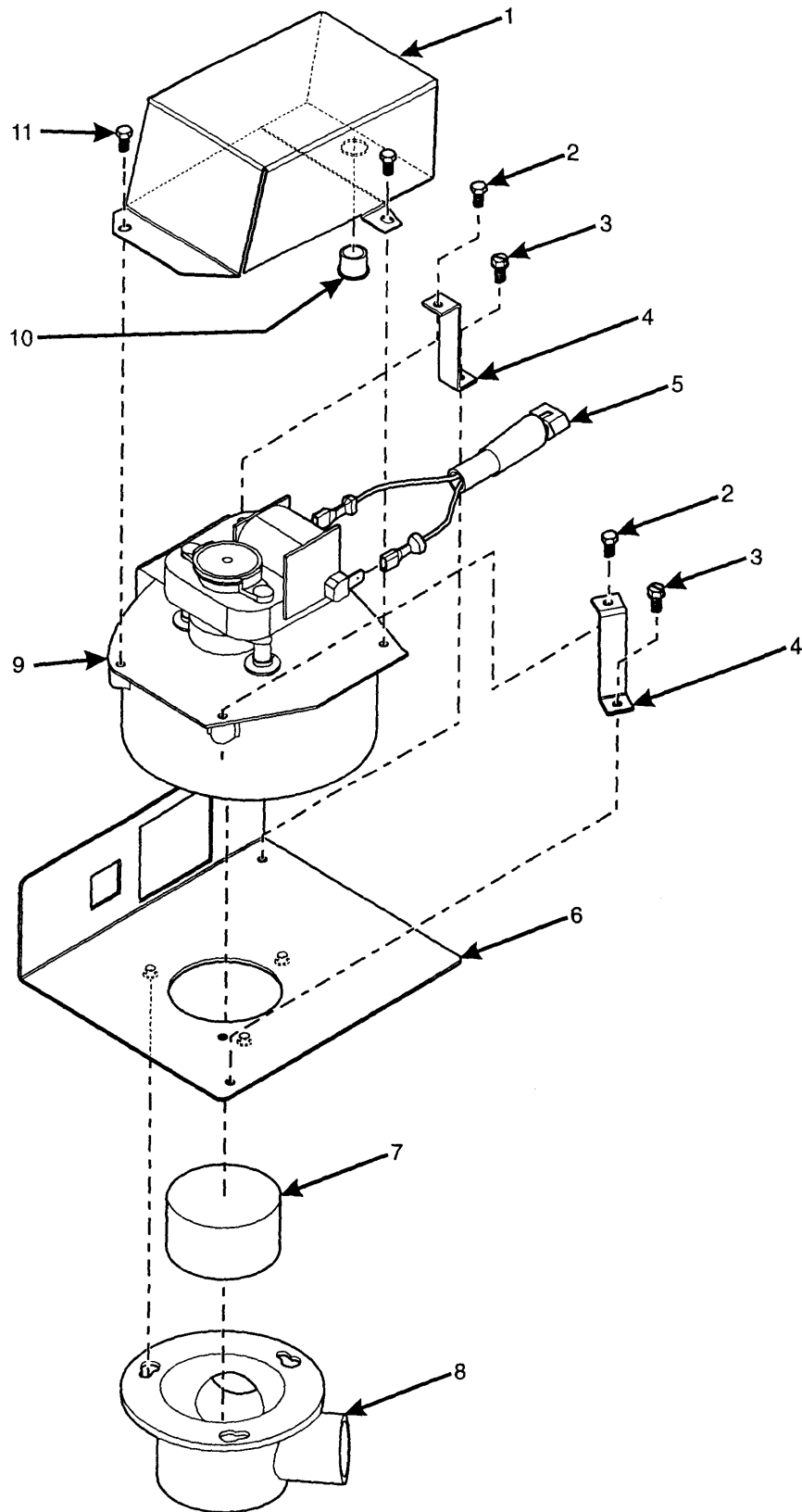


Figure 27. Bracket, Blower, and Cover Assembly

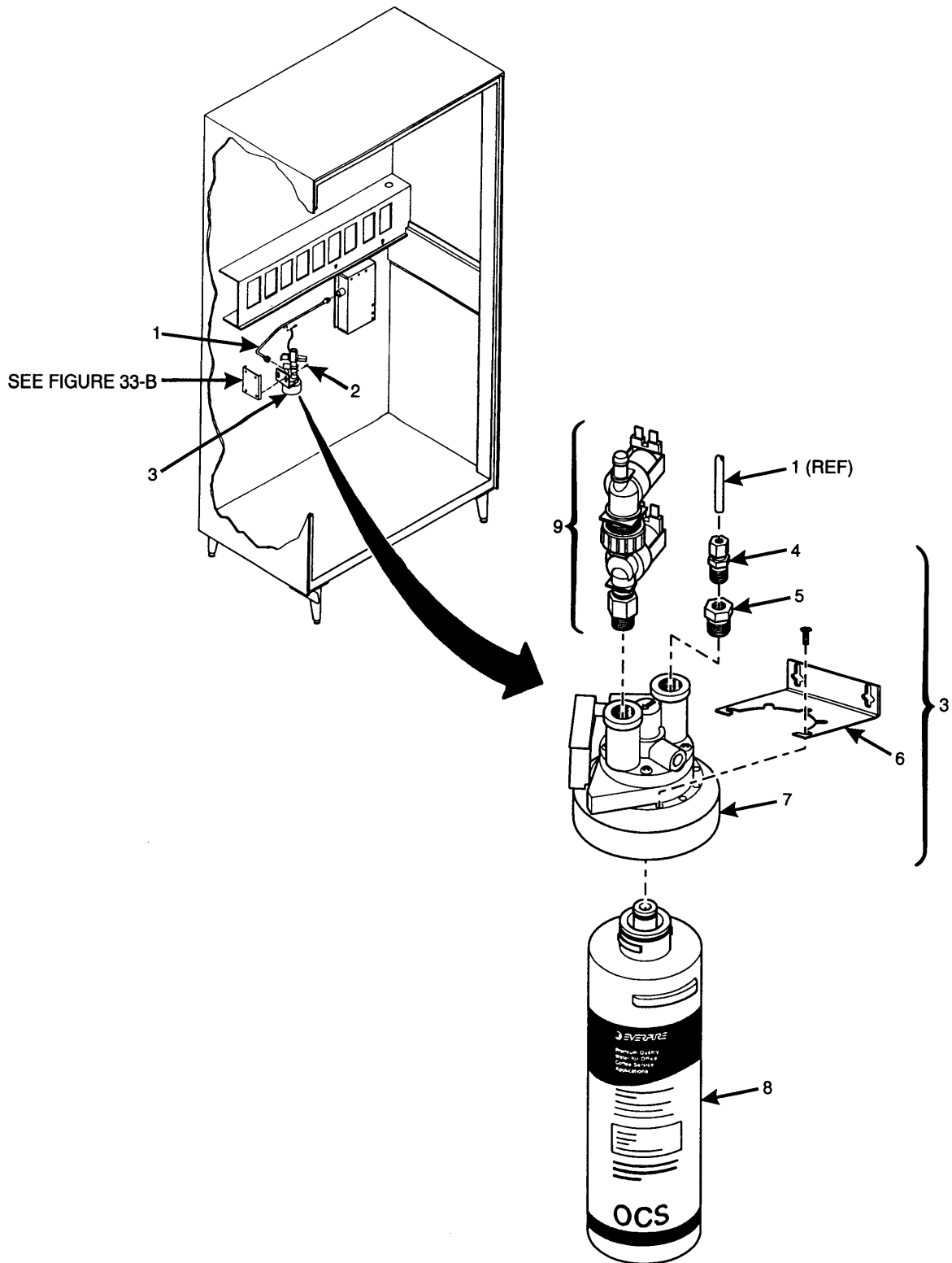


Figure 28. Water Supply - With Everpure Water Filter Option

TABLE 29. WATER SUPPLY - WITH CUNO WATER FILTER OPTION

INDEX	PART NUMBER	DESCRIPTION	QTY.
-	6340862	WITH CUNO FILTER OPTION (115 VOLT MODELS ONLY)	OPT.
	6340865	WITH CUNO FILTER OPTION (230 VOLT MODELS ONLY)	
1	6348001	TUBING - INLET - WITH FILTER OPTION	1
2	-	ATTACHING HARDWARE	-
3	6338018	FILTER HEAD ASSEMBLY - CUNO - 115 VAC (115 VOLT MODELS ONLY) (INCLUDES INDEX NUMBERS 4 - 8)	1
	6338019	FILTER HEAD ASSEMBLY - CUNO - 230 VAC (115 VOLT MODELS ONLY) (INCLUDES INDEX NUMBERS 4 - 8)	
-	7207027	SCREW #10-16 X 5/8 PHS TAPPING	2
4	6408119	MALE CONNECTOR - BRASS #4-4-FBI12-B PARKER	1
5	6408117	BUSHING - 1/4X3/8 - BRASS - 209P-6-4	1
6	6408113	BALL VALVE - 3/8" - TTC	1
7	6408115	BRACKET - CUNO WATER FILTER HEAD #69682-31 MODEL CFS570	1
-	1451097	SCREW - #8-32X.31 HEX HD.TF - BLACK	2
8	6408114	FILTER HEAD-CUNO #68375-01	1
9	6338015	WATER FILTER - CUNO - HOT - 12/CS MODEL #CS-71	1
10	3158061	VALVE ASSEMBLY - WATER INLET (115 VOLT MODELS ONLY)	1
	6408003	VALVE ASSEMBLY - WATER INLET-U.K. (230 VOLT MODELS ONLY)	

TABLE 28. WATER SUPPLY - WITH EVERPURE WATER FILTER OPTION

INDEX	PART NUMBER	DESCRIPTION	QTY.
-	6340861	WITH EVERPURE FILTER (115 VOLT MODELS ONLY)	OPT
	6340864	WITH EVERPURE FILTER (230 VOLT MODELS ONLY)	
1	6348001	TUBE ASSEMBLY - WATER INLET	1
2	-	MOUNTING HARDWARE	-
3	6408025	FILTER HEAD ASSEMBLY - EVERPURE - 115V (INCLUDES INDEX NUMBERS 3 THROUGH 6 AND 8) (115 VOLT MODELS ONLY)	1
	6408026	FILTER HEAD ASSEMBLY - EVERPURE - 230V (INCLUDES INDEX NUMBERS 3 THROUGH 6 AND 8) (230 VOLT MODELS ONLY)	
4	6408119	MALE CONNECTOR - BRASS #4-4-FBI12-B PARKER	1
5	6408117	BUSHING - 1/4X3/8 - BRASS - 209P-6-4	1
6	3158023	BRACKET - MOUNTING - WATER FILTER #3046 44	1
7	6408134	FILTER HEAD - EVERPURE #9257-12	1
8	6118071	CARTRIDGE - WATER FILTER #9604-12 EVERPURE	1
9	3158061	VALVE ASSEMBLY - WATER INLET (115 VOLT MODELS ONLY)	1
	6408003	VALVE ASSEMBLY - WATER INLET (230 VOLT MODELS ONLY)	

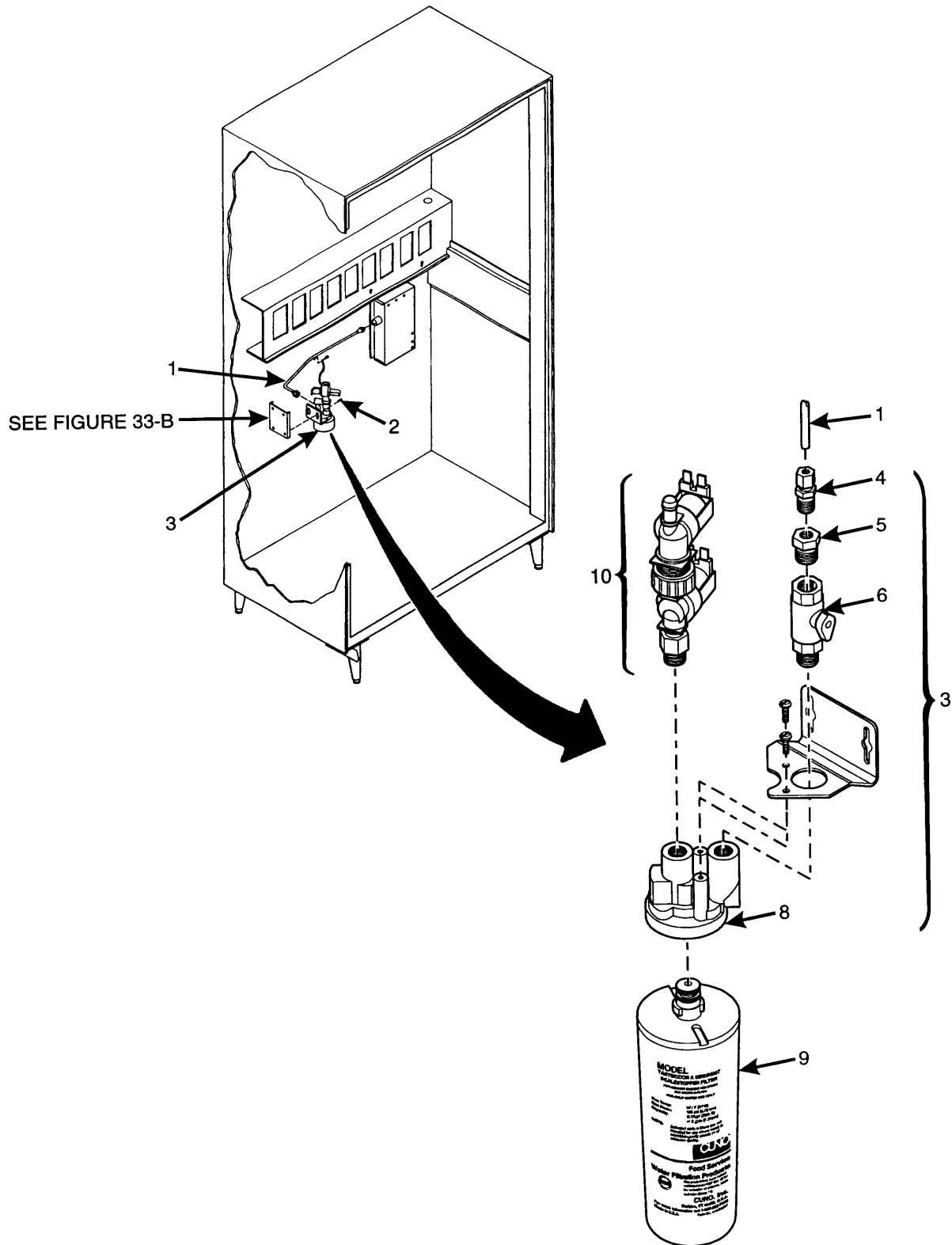


Figure 29. Water Supply - With CUNO Water Filter Option

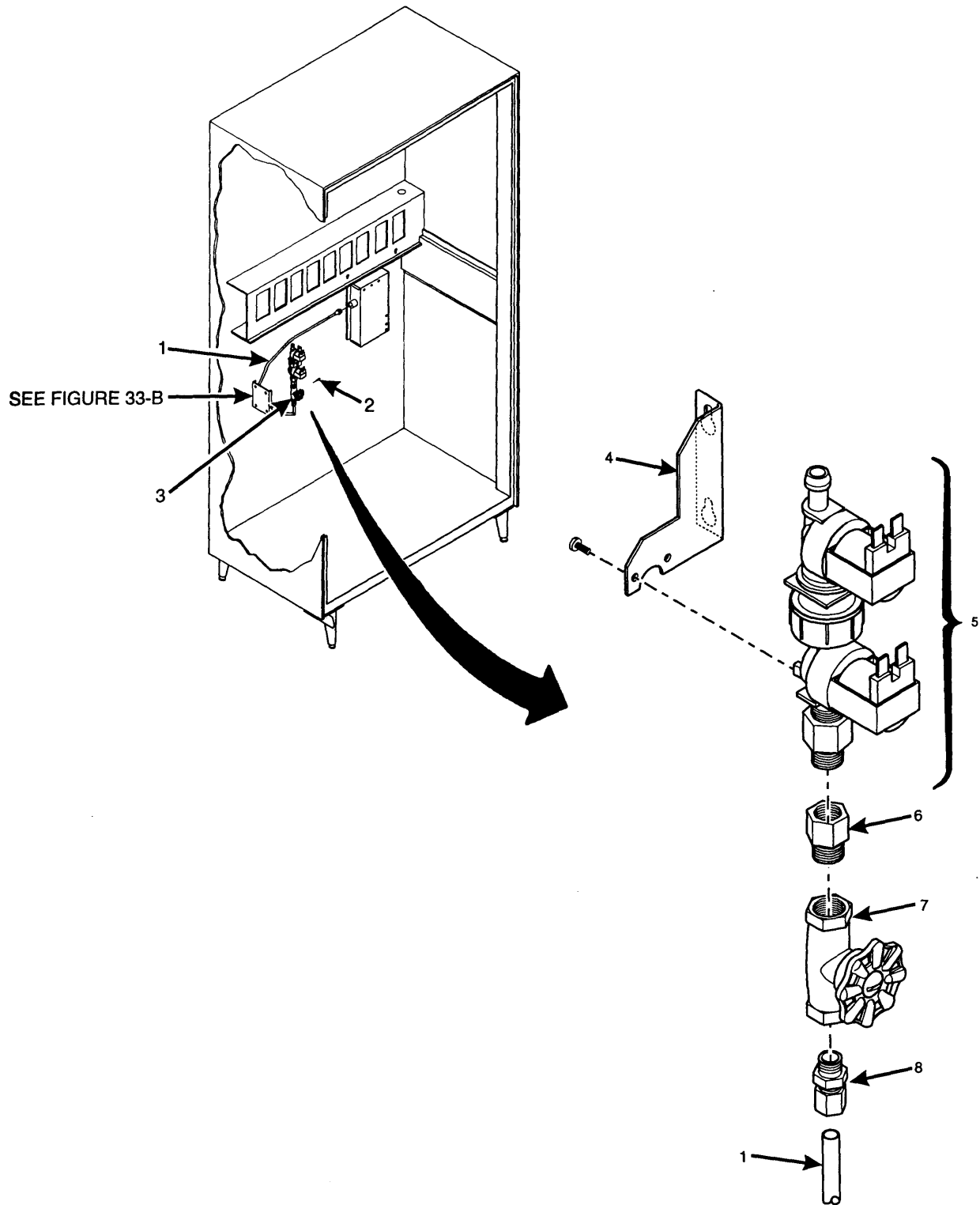


Figure 30. Water Supply - Without Water Filter Option

TABLE 31. SERVICE LIGHT/BRACKET ASSEMBLY (115 VOLT MODELS)

INDEX	PART NUMBER	DESCRIPTION	QTY.
1	-	SCREW	2
2	6231372	SERVICE LIGHT/BRACKET ASSEMBLY (INCLUDES INDEX NUMBERS 3 THROUGH 18)	1
3	2346017	LIGHT ASSEMBLY - FLUORESCENT (INCLUDES INDEX NUMBERS 4 THROUGH 7)	1
4	2272036	BRACKET - LOWER LIGHT	1
5	3107171	SCREW - #4-36 X 5/8	2
6	2346016	HARNESS - FLUORESCENT LIGHT	1
7	1452076	SCREW - #4-36 X .437	2
8	1451097	SCREW - #8-32 X .31 HEX HD T.F. - BLACK	2
9	1170206	SCREW - #8-32 X 3/8	2
10	3106154	BUSHING - #SB875	1
11	6231554	BRACKET - SERVICE LIGHT	1
12	3151058	BALLAST ASSEMBLY	1
13	1452139	RETAINER - HARNESS	1
14	9900081	NUT - #8-32 KEPS	2
15	9900033	LOCKWASHER - #8 EXTERNAL TOOTH	1
16	3157068	SCREW - #8-32 X .31 HEX HEAD	1
17	2222096	FLUORESCENT LAMP	1
18	6232305	LAMP SLEEVE AND END CAPS ASSEMBLY	1
-	9984165	JUMPER - GROUND WIRE (NOT SHOWN)	1

TABLE 30. WATER SUPPLY - WITHOUT WATER FILTER OPTION

INDEX	PART NUMBER	DESCRIPTION	QTY.
-	6340860	NO WATER FILTER (115 VOLT MODELS ONLY)	OPT.
	6340863	NO WATER FILTER (230 VOLT MODELS ONLY)	
1	6348002	TUBING - INLET LINE - NO FILTER	1
2	1451097	SCREW - #8-32 X .31 HEX HD.TF - BL	2
3	6331040	BRACKET - INLET VALVE ASSEMBLY (115 VOLT MODELS ONLY) (INCLUDES INDEX NUMBERS 4 - 8)	1
	6331038	BRACKET - INLET VALVE ASSEMBLY (230 VOLT MODELS ONLY) (INCLUDES INDEX NUMBERS 4 - 8)	
4	6231501	SUPPORT - INLET WATER VALVE	1
5	3158061	VALVE ASSEMBLY - WATER INLET (115 VOLT MODELS ONLY)	1
	6408003	VALVE ASSEMBLY - WATER INLET (230 VOLT MODELS ONLY)	
6	6231503	ADAPTER - 3/8 - 1/4 #120B 06 X 0	1
7	3108048	VALVE WATER - CONBRACO #57-001	1
8	6408119	MALE CONNECTOR - BRASS #4-4-FBI12	1

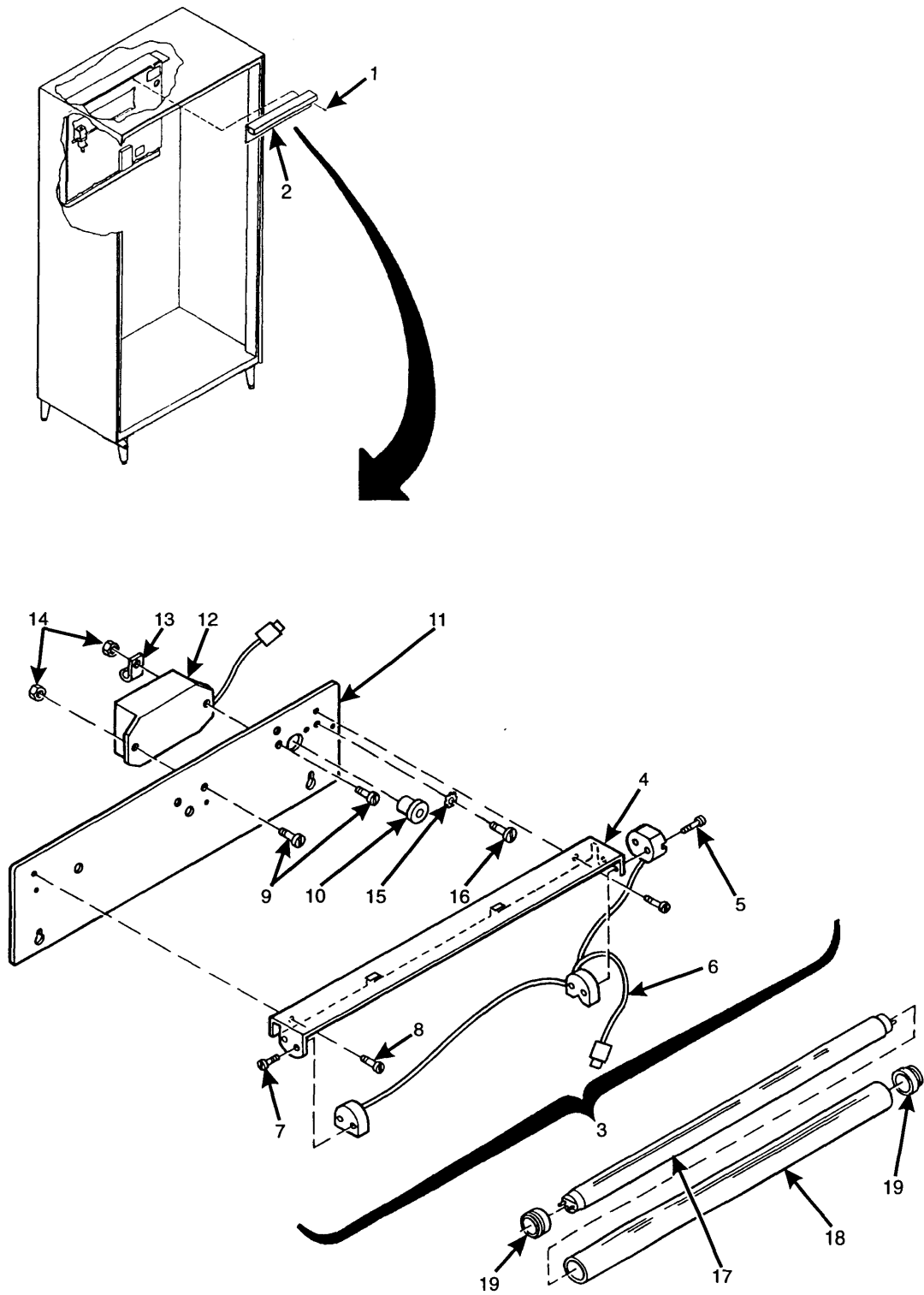


Figure 31. Service Light/Bracket Assembly (115 Volt Models)

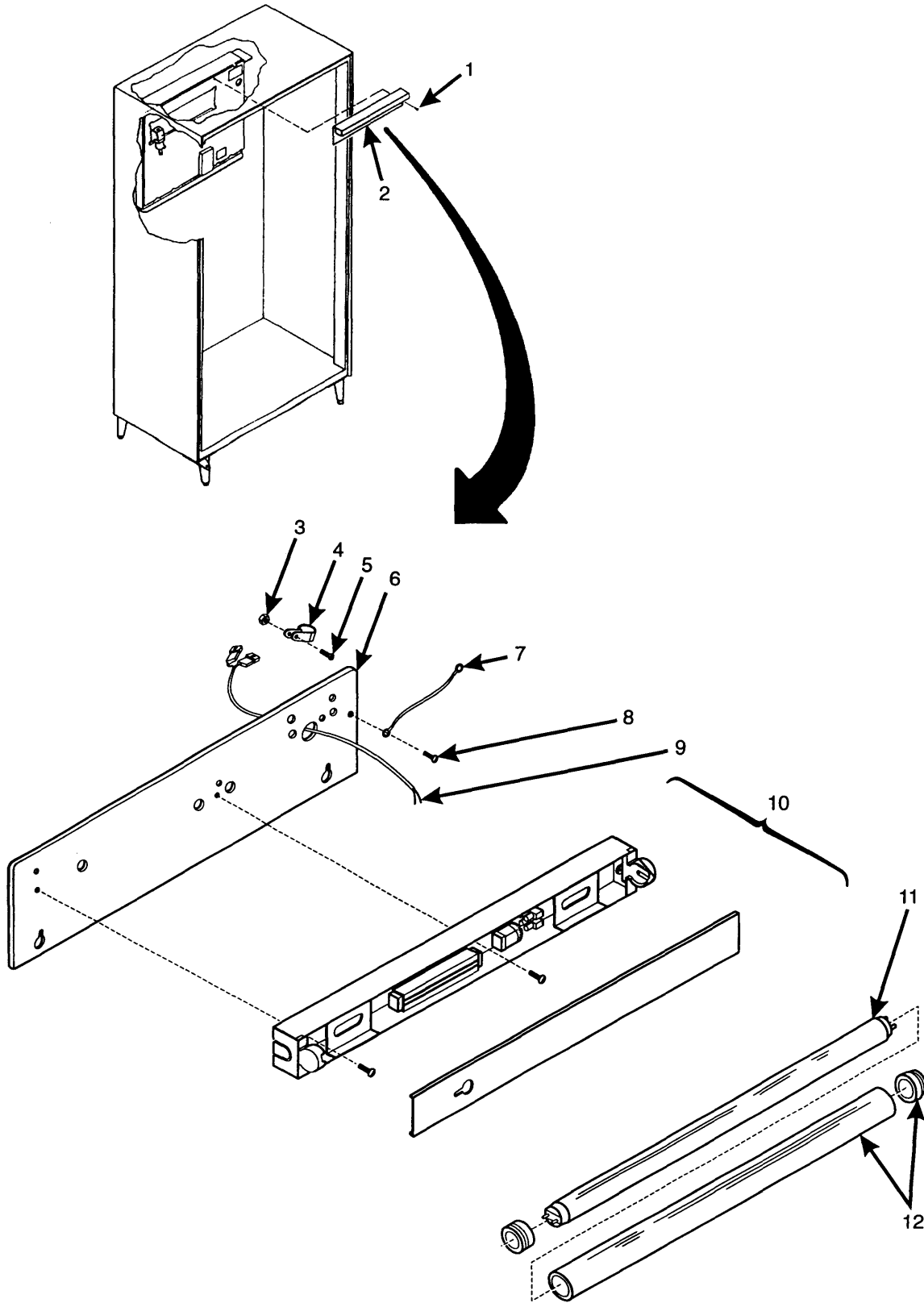


Figure 32. Service Light/Bracket Assembly (230 Volt Models)

TABLE 32. SERVICE LIGHT/BRACKET ASSEMBLY (230 VOLT MODELS)

INDEX	PART NUMBER	DESCRIPTION	QTY.
1	-	ATTACHING HARDWARE	2
2	6239052	LIGHT AND BRACKET ASSEMBLY - FLUORESCENT - 230 V (INCLUDES INDEX NUMBERS 3 - 10)	1
3	9900081	NUT #8-32 KEPS ZINC PLATE	1
4	1211161	CABLE CLAMP - RICHCO #N4	1
5	9900118	SCREW #8-32 X 3/8 PHS	1
6	6231559	BRACKET - SERVICE LIGHT	1
7	9984165	JUMPER - GROUND WIRE	1
8	3157060	SCREW - #8-32 X .31 HEX W/ HD.	3
9	6239009	JUMPER - SERVICE LIGHT	1
10	6239053	LIGHT ASSEMBLY - FLUORESCENT - 230V	1
11	2222096	FLUORESCENT LAMP #F15T8CW, 96/CS	1
12	6232305	LAMP SLEEVE AND END CAPS ASSEMBLY - 16.35" LONG	1

TABLE 33. CANISTER POSITIONS AND USAGE

CANISTER POSITION	DETAIL FIGURE	INGREDIENT	QTY	CANISTER ASSEMBLY PART NUMBER
A	34	CHOCOLATE	1	6237447
B	35	SOUP	1	6237448
	39	SUGAR SUBSTITUTE	1	6237450
C	36	LIGHTENER	1	6237446
D	38	SUGAR	1	6237449
E	35	FREEZE DRY TEA	1	6237448
F	37	FREEZE DRY DECAF OR COFFEE	1	6237445
G	37	FREEZE DRY DECAF OR COFFEE	1	6237445

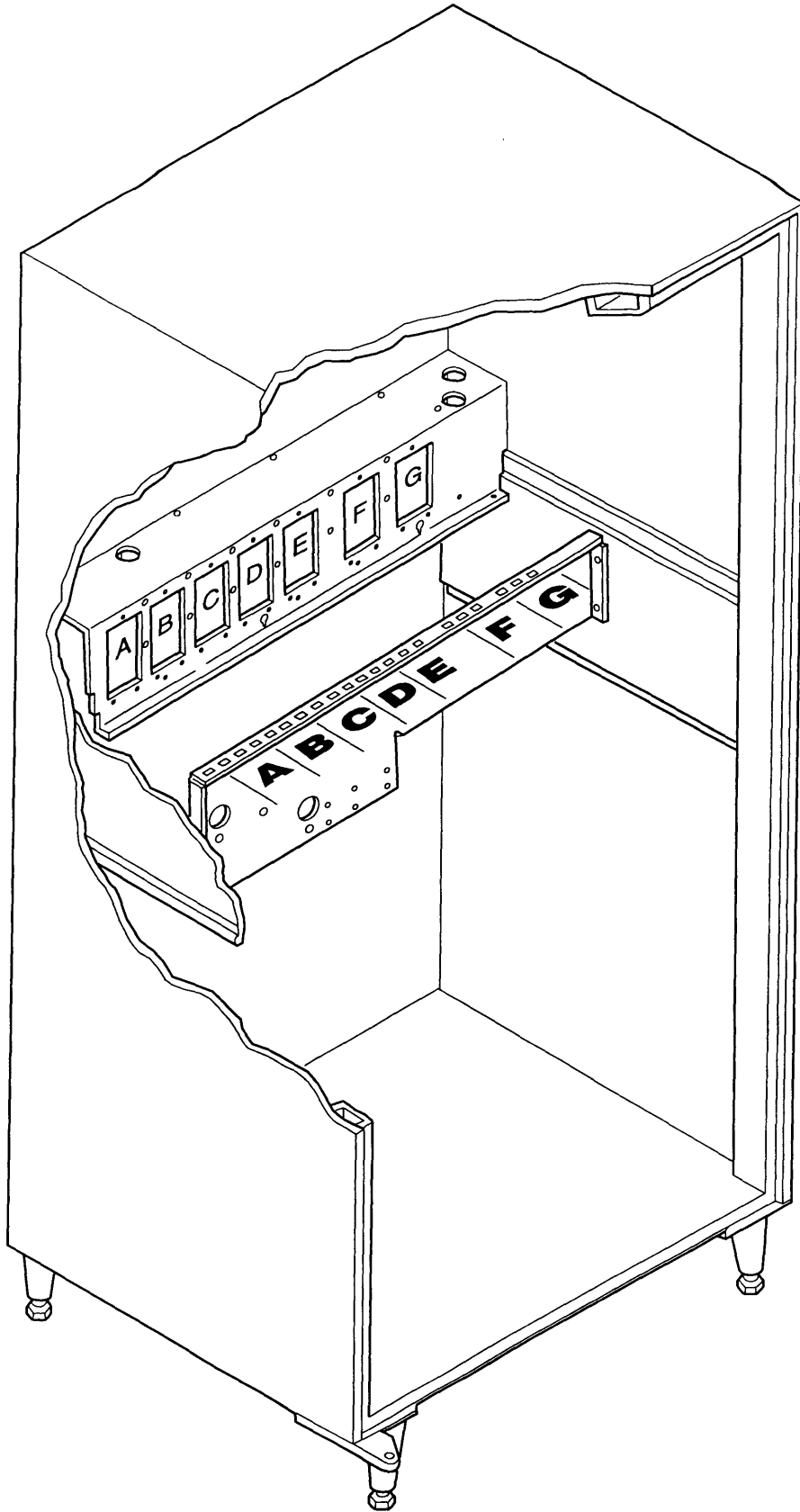


Figure 33. Canister Positions and Usage

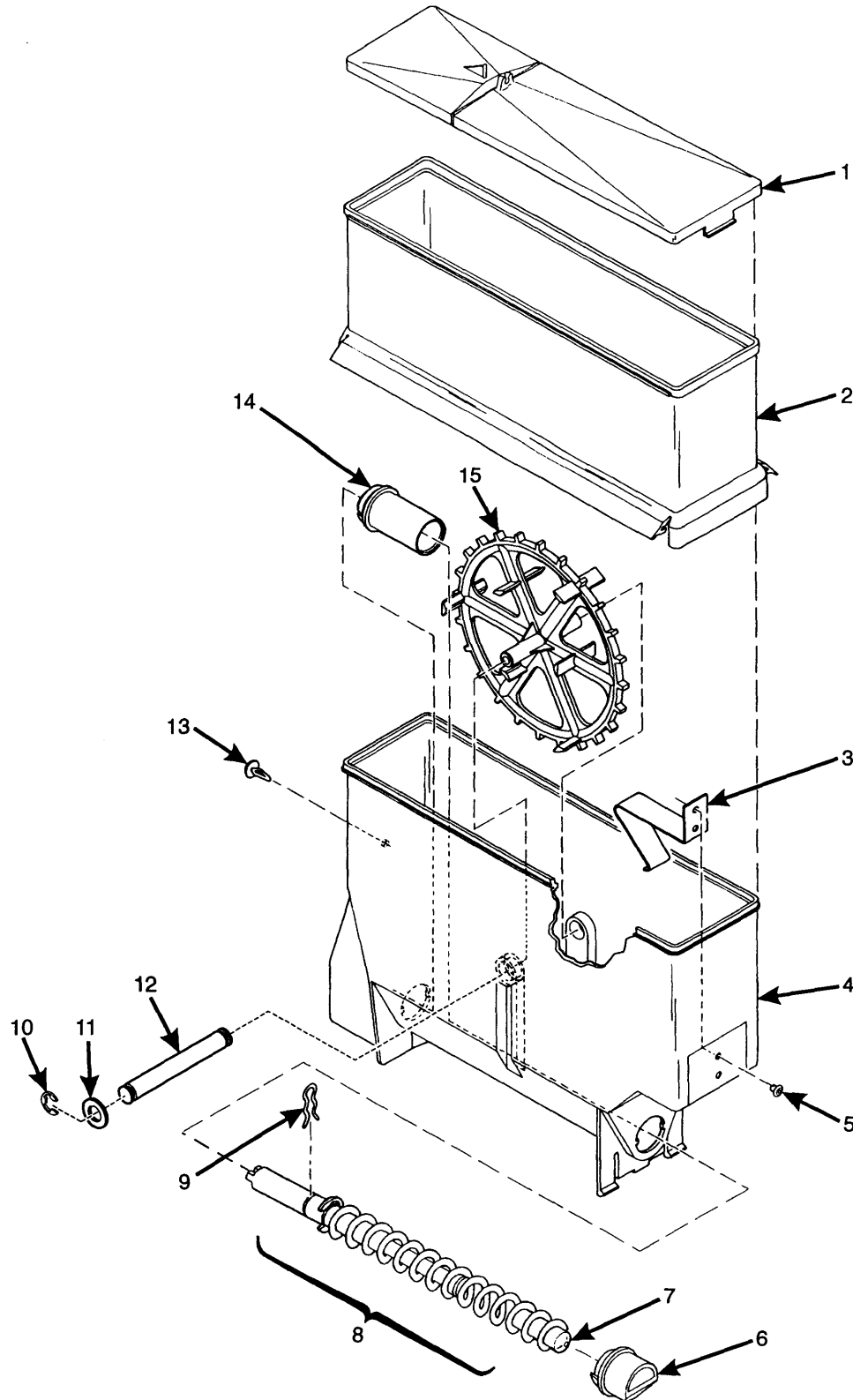


Figure 34. Canister Assembly 6237447

TABLE 35. CANISTER ASSEMBLY 6237448

INDEX	PART NUMBER	DESCRIPTION	QTY.
-	6237448	CANISTER ASSEMBLY - SOUP/6TH PRODUCT	-
1	6237023	LID - CANISTER	1
2	6237108	SPRING - THUMPER	1
3	6237177	BASE - CANISTER - THUMPER	1
4	6237019	ALUMINUM "POP" RIVET - .187 DIA	2
5	6237080	NOZZLE - DISPENSING - CANISTER	1
6	6237046	PLUG - AUGER	1
7	6237178	AUGER AND SHAFT ASSEMBLY (INCLUDES INDEX NUMBERS 8 THROUGH 11)	1
8	6237026	CLIP - SPRING	1
9	9900415	RETAINING RING REINF E TYP.1	2
10	6237116	WASHER - SEAL - WEAR PLATE	2
11	6237167	SHAFT-CANISTER	1
12	6237053	FASTENER - PUSH IN	1
13	6237014	BEARING - CANISTER	1
14	6237181	MIXING WHEEL	1

TABLE 34. CANISTER ASSEMBLY 6237447

INDEX	PART NUMBER	DESCRIPTION	QTY.
-	6237447	CANISTER ASSEMBLY - CHOCOLATE	-
1	6237023	LID - CANISTER	1
2	6237439	SLEEVE - CANISTER	1
3	6237108	SPRING - THUMPER	1
4	6237177	BASE - CANISTER - THUMPER	1
5	6237019	ALUMINUM "POP" RIVET - .187 DIA	2
6	6237080	NOZZLE - DISPENSING - F.D. COFFEE	1
7	6237046	PLUG - AUGER	1
8	6237178	AUGER AND SHAFT ASSEMBLY	1
9	6237026	CLIP - SPRING	1
10	9900415	RETAINING RING REINF E TYP.1	2
11	6237116	WASHER-SEAL-WEAR PLATE	2
12	6237167	SHAFT-CANISTER	1
13	6237053	FASTENER - PUSH IN	1
14	6237014	BEARING - CANISTER	1
15	6237181	MIXING WHEEL	1

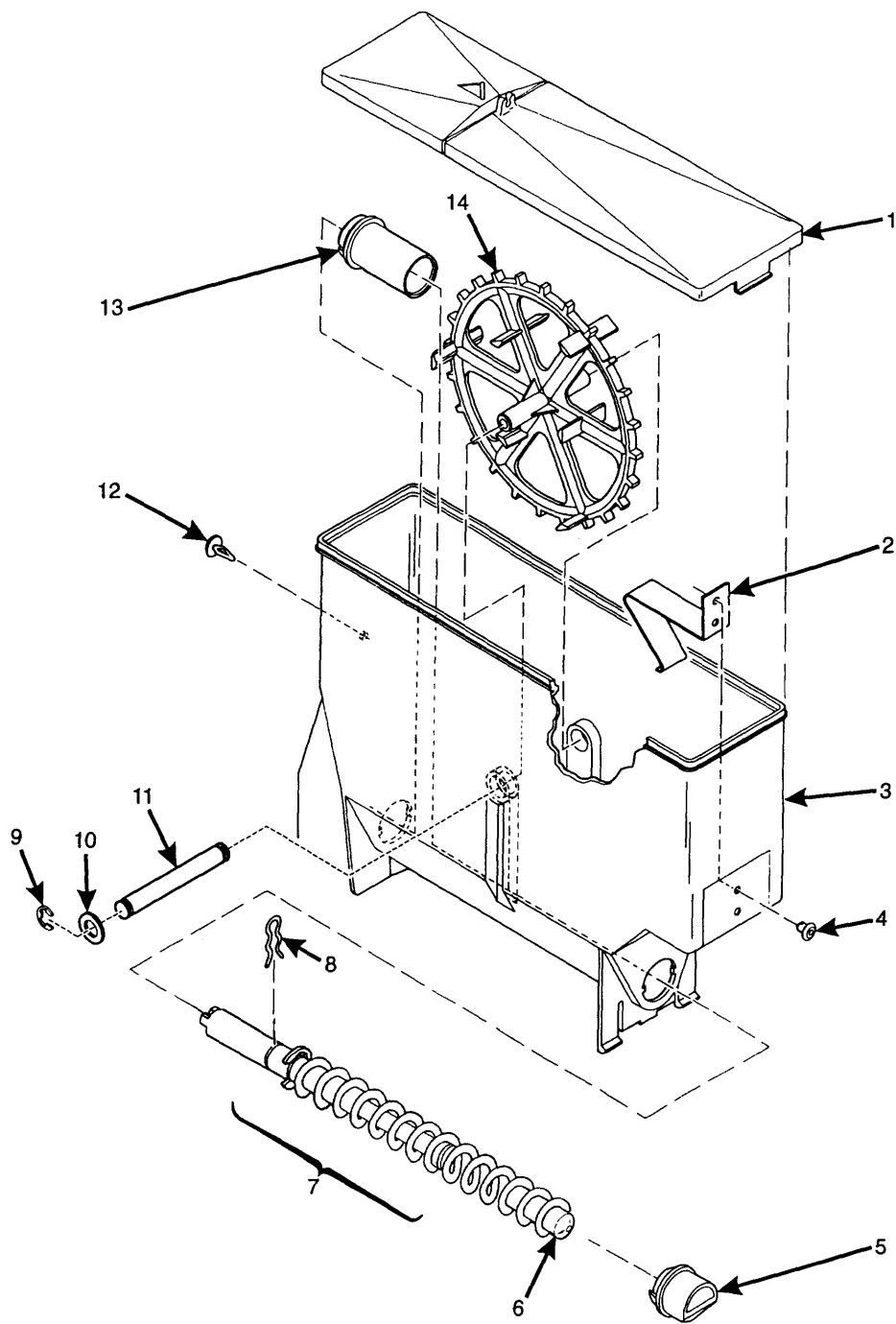


Figure 35. Canister Assembly 6237444

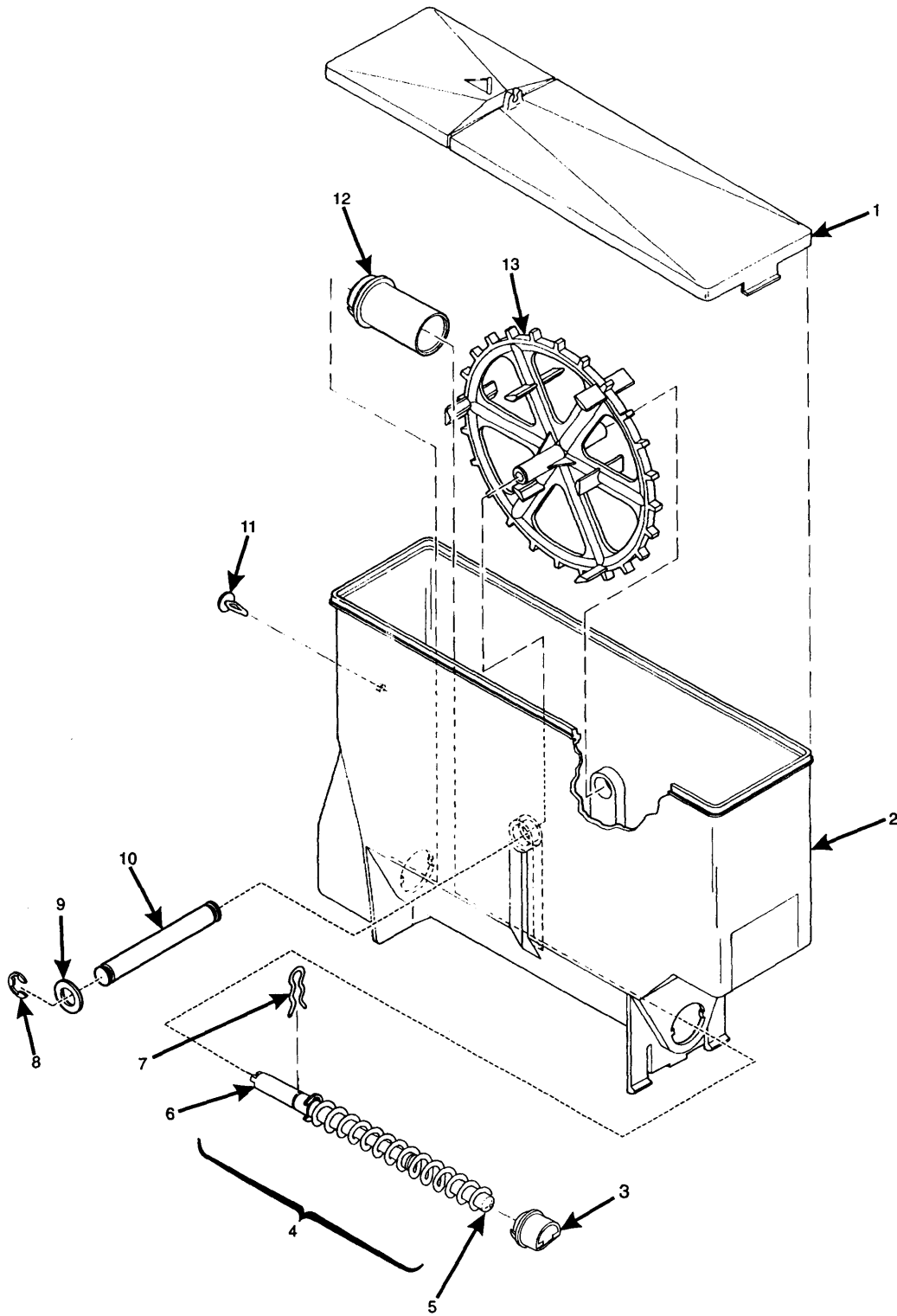


Figure 36. Canister Assembly 6237446

TABLE 37. CANISTER ASSEMBLY 6237445

INDEX	PART NUMBER	DESCRIPTION	QTY.
-	6237445	CANISTER ASSEMBLY - FREEZE DRY COFFEE	-
1	6237023	LID - CANISTER	1
2	6237176	BASE - CANISTER	1
3	6237080	NOZZLE - DISPENSING - CANISTER	1
4	6237178	AUGER AND SHAFT ASSEMBLY	1
5	6237026	CLIP - SPRING	1
6	9900415	RETAINING RING REINF E TYP.1	2
7	6237116	WASHER - SEAL - WEAR PLATE	2
8	6237167	SHAFT - CANISTER	1
9	9900415	RETAINING RING REINF E TYP.1	1
10	6237014	BEARING - CANISTER	1
11	6237181	MIXING WHEEL	1

TABLE 36. CANISTER ASSEMBLY 6237446

INDEX	PART NUMBER	DESCRIPTION	QTY.
-	6237446	CANISTER ASSEMBLY - LIGHTENER	-
1	6237023	LID - CANISTER	1
2	6237176	BASE - CANISTER	1
3	6237106	NOZZLE - DISPENSING - CANISTER	1
4	6237180	PLUG AND AUGER ASSEMBLY (INCLUDES INDEX NUMBERS 5 AND 6)	1
5	6237046	PLUG - AUGER	1
6	6237179	AUGER ASSEMBLY	1
7	6237026	CLIP - SPRING	1
8	9900415	RETAINING RING REINF E TYP.1	2
9	6237116	WASHER - SEAL - WEAR PLATE	2
10	6237167	SHAFT - CANISTER	1
11	6237053	FASTENER - PUSH IN	1
12	6237014	BEARING - CANISTER	1
13	6237181	MIXING WHEEL	1

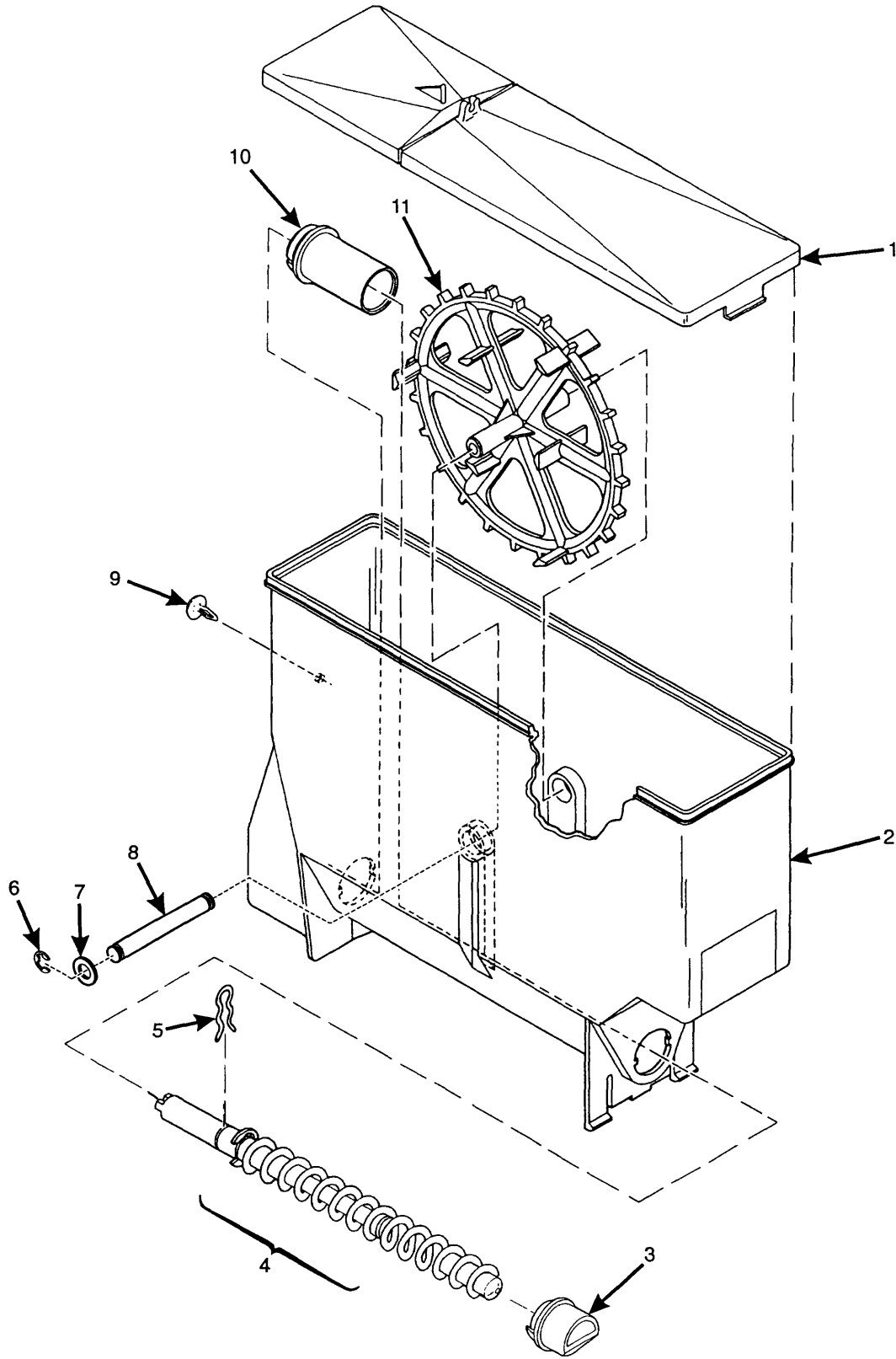


Figure 37. Canister Assembly 6237445

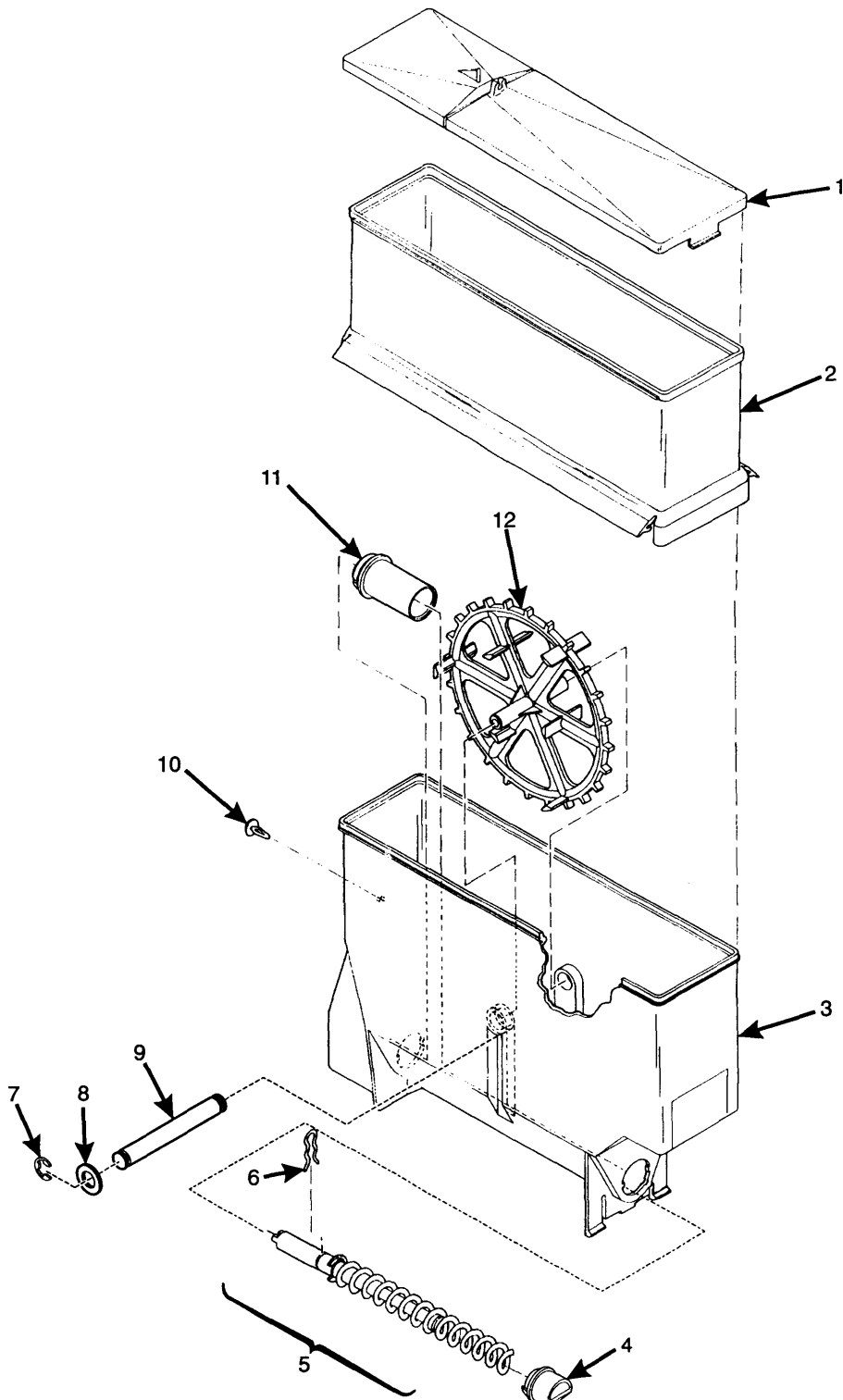


Figure 38. Canister Assembly 6237449

TABLE 39. CANISTER ASSEMBLY 6237450

INDEX	PART NUMBER	DESCRIPTION	QTY.
-	6237450	CANISTER ASSEMBLY - NO SLV - W/WHEEL	-
1	6237023	LID - CANISTER	1
2	6237176	BASE - CANISTER	1
3	6237063	NOZZLE - DISPENSING - CANISTER	1
4	6237178	AUGER & SHAFT ASSEMBLY	1
5	6237026	CLIP - SPRING	1
6	9900415	RETAINING RING REINF E TYP.1	2
7	6237116	WASHER - SEAL - WEAR PLATE	2
8	6237167	SHAFT - CANISTER	1
9	6237026	CLIP - SPRING	1
10	6237053	FASTENER - PUSH IN	1
11	6237014	BEARING - CANISTER	1
12	6237181	MIXING WHEEL	1

TABLE 38. CANISTER ASSEMBLY 6237449

INDEX	PART NUMBER	DESCRIPTION	QTY.
-	6237449	CANISTER ASSEMBLY - 1 SLV - W/MIXING	-
1	6237023	LID - CANISTER	1
2	6237008	SLEEVE - CANISTER 4 IN	1
3	6237176	BASE - CANISTER	1
4	6237063	NOZZLE-DISPENSING-CANISTER	1
5	6237178	AUGER AND SHAFT ASSEMBLY	1
6	6237026	CLIP - SPRING	1
7	9900415	RETAINING RING REINF E TYP.1	2
8	6237116	WASHER-SEAL-WEAR PLATE	2
9	6237167	SHAFT-CANISTER	1
10	6237053	FASTENER - PUSH IN	1
11	6237014	BEARING - CANISTER	1
12	6237181	MIXING WHEEL	1

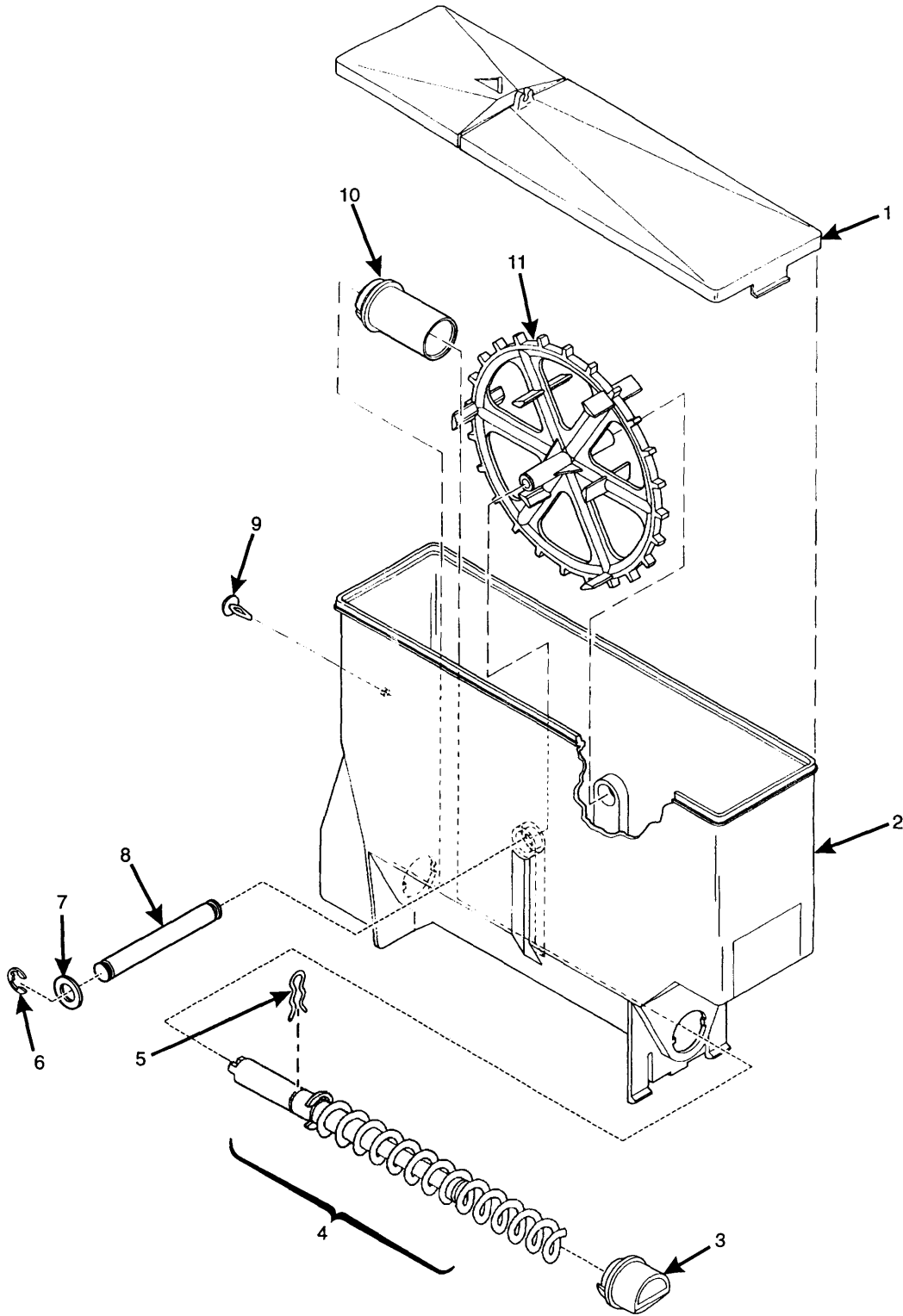


Figure 39. Canister Assembly 6237450

TABLE 40. CANISTER SUPPORT CHANNEL ASSEMBLY - MOUNTING DETAILS

INDEX	PART NUMBER	DESCRIPTION	QTY.
1	6231033	BRACKET - CANISTER SUPPORT	2
2	1451097	SCREW - #8-32 X .31 AHEX HD T.F. - BLACK	2
3	-	CANISTER SUPPORT CHANNEL ASSEMBLY (SEE FIGURE 41 FOR OPTIONS AND DETAILS)	1
4	-	SCREW	4

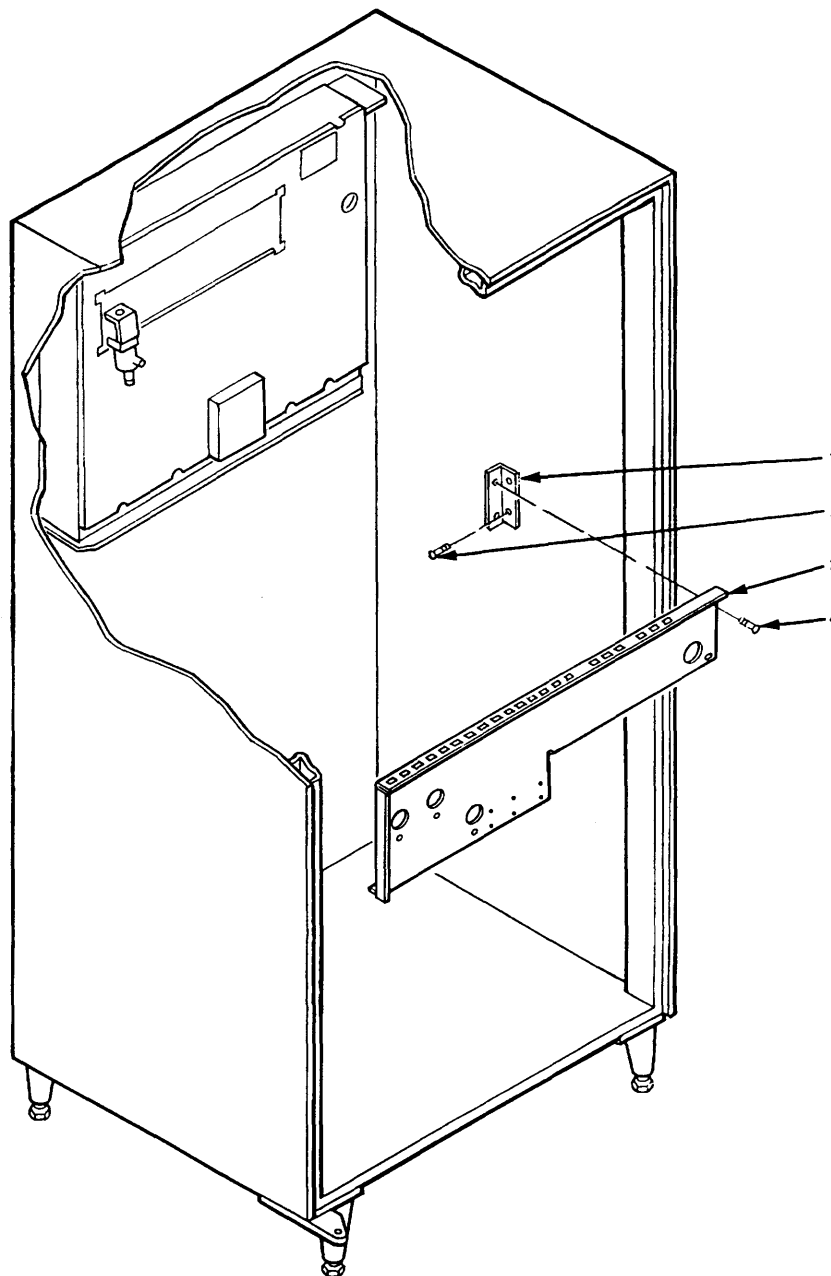


Figure 40. Canister Support Channel Assembly - Mounting Details

TABLE 42. MIXING BOWL AND WHIPPER POSITIONS

POSITION	SELECTION	WHIPPER	COMPONENT	QTY	PART NO.
A	CHOCOLATE	YES	MIXING BOWL ASSEMBLY	1	6237127
			RETAINER TUBE - MIXING BOWL	1	6237315
			GROMMET - WHIPPER MOUNTING	1	6237115
			GROMMET 3/16	1	2302223
			WHIPPER ASSEMBLY	1	6237195
B	SOUP	YES	MIXING BOWL ASSEMBLY	1	6237127
			RETAINER TUBE - MIXING BOWL	1	6237315
			GROMMET - WHIPPER MOUNTING	1	6237115
			GROMMET 3/16	1	2302223
			WHIPPER ASSEMBLY	1	6237195
		NO	MIXING BOWL ASSEMBLY	1	6237125
			RETAINER TUBE - MIXING BOWL	1	6237315
C	CONDIMENTS	YES	MIXING BOWL ASSEMBLY	1	6237128
			RETAINER TUBE - MIXING BOWL	1	6237315
			GROMMET - WHIPPER MOUNTING	1	6237115
			GROMMET 3/16	1	2302223
			WHIPPER ASSEMBLY	1	6237195
D	FREEZE DRY TEA	YES	MIXING BOWL ASSEMBLY	1	6237127
			RETAINER TUBE - MIXING BOWL	1	6237315
			GROMMET - WHIPPER MOUNTING	1	6237115
			GROMMET 3/16	1	2302223
			WHIPPER ASSEMBLY	1	6237195
		NO	MIXING BOWL ASSEMBLY	1	6237125
			RETAINER TUBE - MIXING BOWL	1	6237315
E	DECAF	NO	MIXING BOWL ASSEMBLY	1	6237125
			RETAINER TUBE - MIXING BOWL	1	6237315
F	COFFEE	NO	MIXING BOWL ASSEMBLY	1	6237125
			RETAINER TUBE - MIXING BOWL	1	6237315

TABLE 41. CANISTER SUPPORT CHANNEL ASSEMBLY

INDEX	PART NUMBER	DESCRIPTION	QTY.
1	6261130	CHANNEL ASSEMBLY - CANISTER SUPPORT	1
2	6231533	BRACE - CANISTER SUPPORT - UPPER	2
3	2302223	GROMMET - 3/16 (SEE TABLE 42 FOR APPLICATIONS AND FIGURE 42 FOR LOCATIONS)	(OPT)
4	6237115	GROMMET - WHIPPER MOUNTING (SEE TABLE 42 FOR APPLICATIONS AND FIGURE 42 FOR LOCATIONS)	(OPT)
5	-	MIXING BOWL AND WHIPPER ASSEMBLY (SEE TABLE 42 FOR APPLICATIONS, FIGURE 42 FOR LOCATIONS, AND FIGURE 43 FOR DETAILS)	-
6	6237186	CANISTER SUPPORT ASSEMBLY - LIGHTENER (CONSISTS OF THE FOLLOWING PARTS)	1
-	3102447	8-32 X 3/4 PHS TYPE 23 T/C Z	2
-	6237170	BUSHING-CANISTER	2
-	6237173	BRACKET-CANISTER FRONT	1
-	6237174	SUPPORT-CANISTER FRONT	1
-	6237185	PAD-DAMPENING	1
-	6237356	VIBRATION ISOLATOR-.375 DIA.	2
15	-	MIXING BOWL ASSEMBLY (SEE TABLE 42, AND FIGURES 42 AND 43)	-

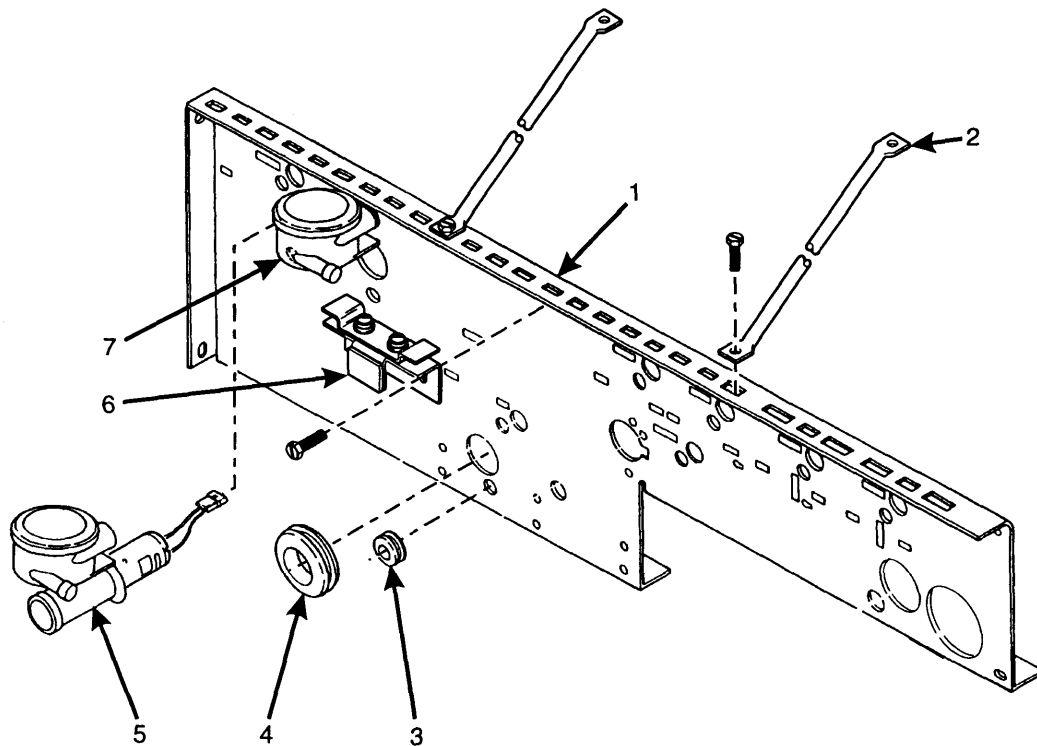


Figure 41. Canister Support Channel Assembly

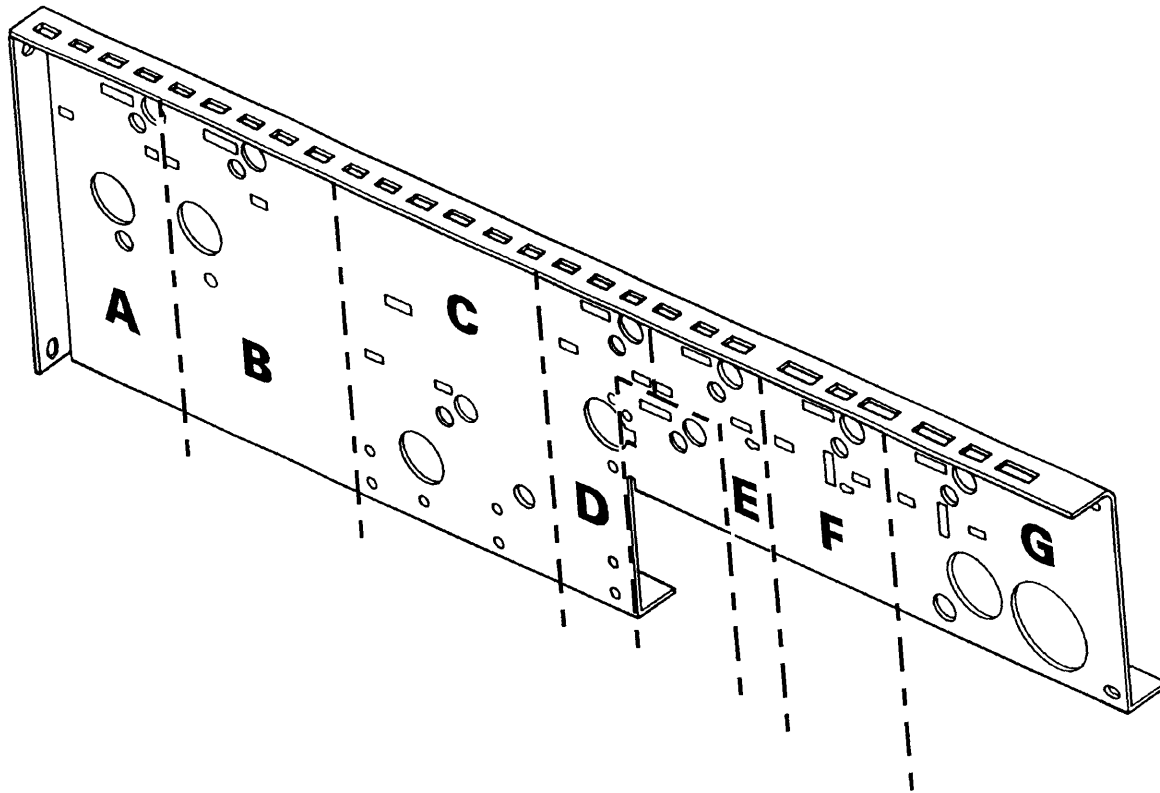


Figure 42. Mixing Bowl and Whipper Positions

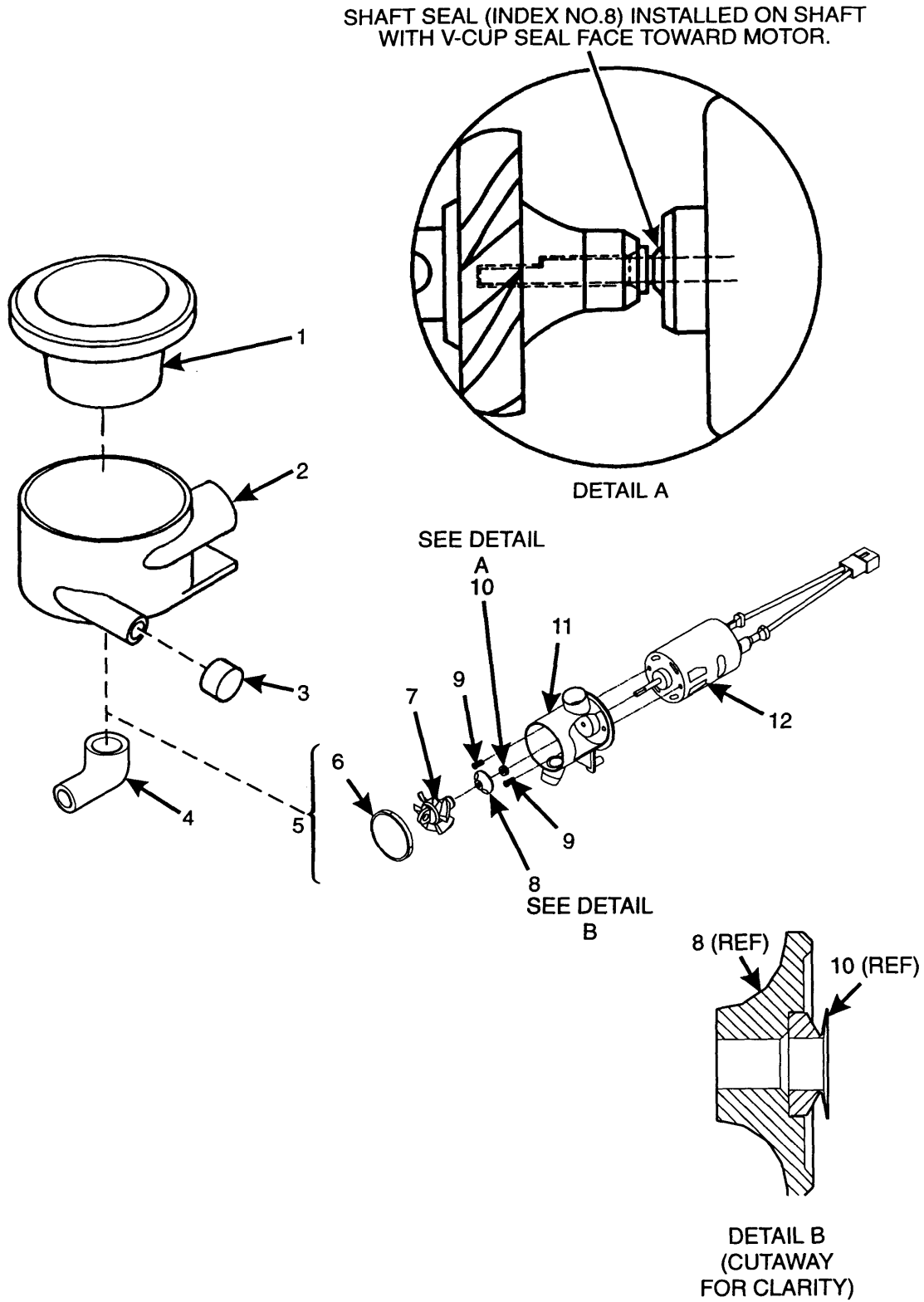


Figure 43. Mixing Bowl and Whipper Assemblies

TABLE 44. MOTOR AND PLATE ASSEMBLY

INDEX							
1		2		3		4	
MOTOR AND PLATE ASSEMBLY		MOTOR		PLATE		#8-32 x 7/32 SCREW	
PART NO.	SPEED	PART NO.	QTY	PART NO.	QTY	PART NO.	QTY
6237436	200 RPM	6237165	1	6237074	1	9900157	3
6237437	60 RPM	6237057	1	6237074	1	9900157	3
6237438	200 RPM COFFEE	6237165	1	6237077	1	9900157	3
6237188	200 RPM	6237165	1	6237172	1	9900157	3

TABLE 44-1. MOTOR POSITION USAGE

MOTOR POSITION	INGREDIENT	DESCRIPTION	QTY	PART NO.
A	CHOCOLATE	MOTOR AND PLATE ASSEMBLY - 200 RPM	1	6237436
		SCREW	3	1451097
B	SUGAR SUB	MOTOR AND PLATE ASSEMBLY - 60 RPM	1	6237437
		SCREW	3	1451097
		MOTOR AND PLATE ASSEMBLY - 200 RPM	1	6237436
	SOUP OR INTERNATIONAL COFFEE	SCREW	3	1451097
C	WHITENER	MOTOR AND PLATE ASSEMBLY - 200 RPM	1	6237188
		SCREW	3	1451097
D	SUGAR	MOTOR AND PLATE ASSEMBLY - 200 RPM	1	6237436
		SCREW	3	1451097
E	INSTANT TEA	MOTOR AND PLATE ASSEMBLY - 60 RPM	1	6237437
		SCREW	3	1451097
F	FREEZE DRIED DECAF	MOTOR AND PLATE ASSEMBLY - 200 RPM	1	6237436
		SCREW	3	1451097
	FRESH BREW DECAF	MOTOR AND PLATE ASSEMBLY - 200 RPM	1	6237438
		SCREW	3	1451097
G	FREEZE DRIED COFFEE	MOTOR AND PLATE ASSEMBLY - 200 RPM	1	6237436
		SCREW	3	1451097
	FRESH BREW COFFEE	MOTOR AND PLATE ASSEMBLY - 200 RPM	1	6237438
		SCREW	3	1451097

TABLE 43. MIXING BOWL AND WHIPPER ASSEMBLIES

INDEX	PART NUMBER	DESCRIPTION	QUANTITY PER MIXING BOWL ASSEMBLY (BY PART NUMBER)		
			6237127	6237125	6237128
1	6237313	VENT - BOWL	1	1	1
2	6237118	MIXING BOWL	1	1	1
3	6237306	VINYL CAP - .38 I.D.	1	1	-
4	6237312	SPOUT - MIXING BOWL	-	1	-
5	6237195	WHIPPER ASSEMBLY (INCLUDES INDEX NUMBERS 6 THROUGH 12)	1	-	1
6	6237114	COVER - WHIPPER	1	-	1
7	6237194	IMPELLER - WHIPPER	1	-	1
8	6237192	SPACER-WHIPPER	1	-	1
9	6237119	SCREW, M3XL.5-6GX6MM - SPH	1	-	1
10	6237110	V RING - SHAFT SEAL	1	-	1
11	6237193	HOUSING - IMPELLER	1	-	1
12	6237111	MOTOR ASSEMBLY - WHIPPER	1	-	1
-	6237117	IMPELLER REMOVAL TOOL (NOT SHOWN)	-	-	-

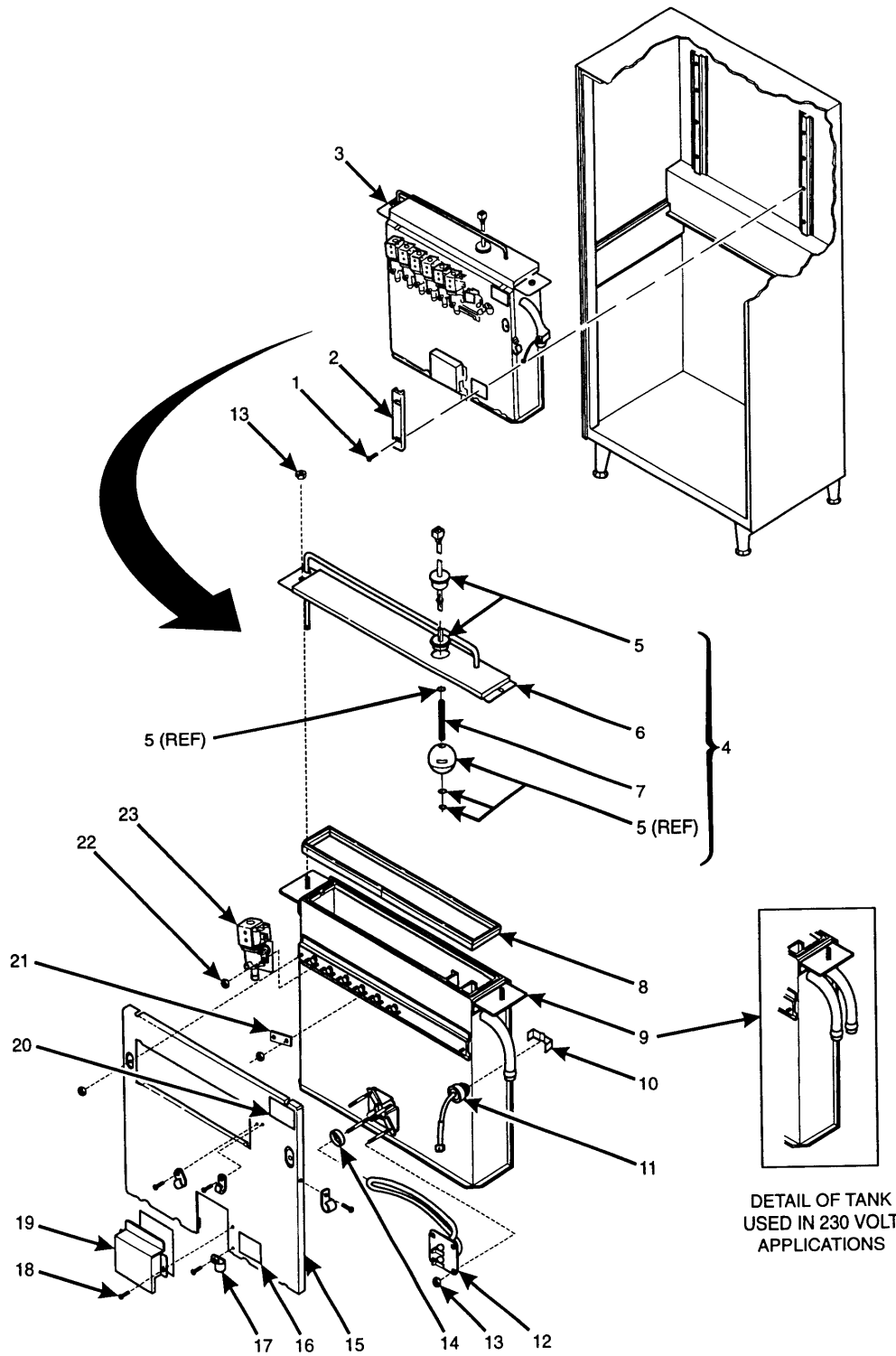


Figure 45. Water Tank Assembly

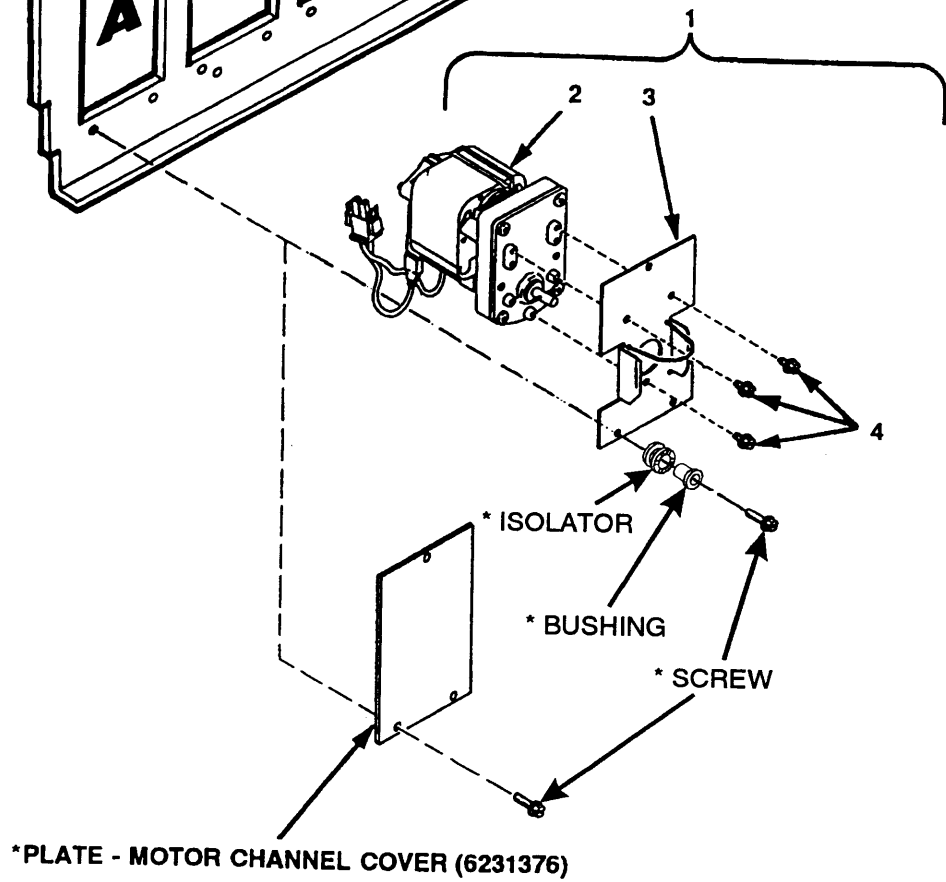
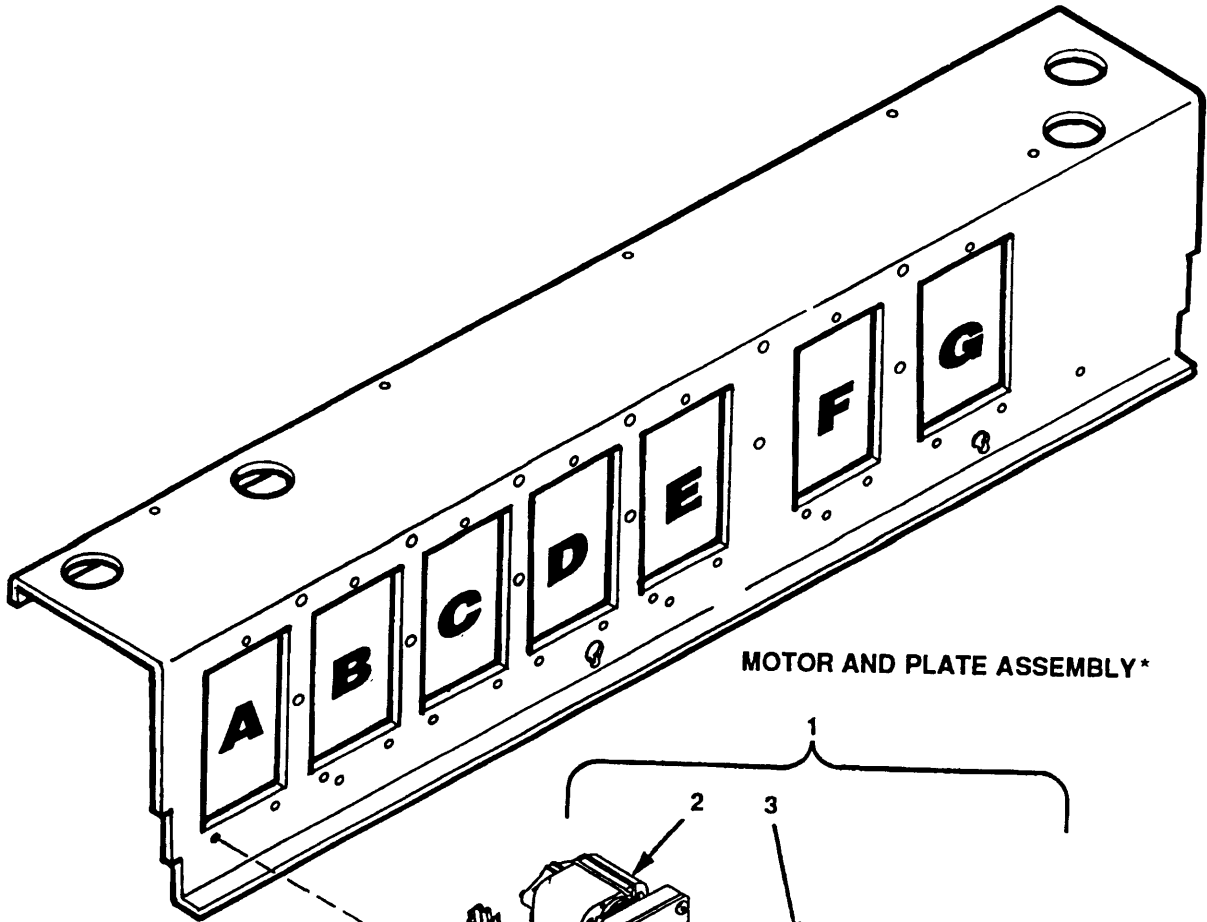


Figure 44. Motor and Plate Assembly

TABLE 46. VALVE ASSEMBLY, HOT WATER TANK

INDEX	PART NUMBER	DESCRIPTION	QTY.
-	6238112X	VALVE ASSEMBLY, HOT WATER TANK (115 VOLT MODELS ONLY)	REF
	6238116X	VALVE ASSEMBLY, HOT WATER TANK (230 VOLT MODELS ONLY)	
1	6238111	VALVE - HOT WATER TANK - PUR-EATON GS-56 (115 VOLT MODELS ONLY)	1
	6238115	VALVE - HOT WATER TANK - 230 V (230 VOLT MODELS ONLY)	
2	9900081	NUT - #8-32	2
3	6238196	RETAINER - TUBE	1
4	6118106	TUBING - PLASTIC 1/4 OD X 1/8 ID	3.5 IN
5	6238074	"O" RING - .48 IDX.10	1
6	6238113	VALVE MOUNTING PLATE AND STUD ASSEMBLY	1

TABLE 45. WATER TANK ASSEMBLY

INDEX	PART NUMBER	DESCRIPTION	QTY.
1	-	ATTACHING HARDWARE	4
2	6231036	CLAMP - WATER TANK	2
3	6348000	WATER TANK ASSEMBLY (115 VOLT MODELS ONLY)	1
	6348003	WATER TANK ASSEMBLY (230 VOLT MODELS ONLY)	
4	6338010	LID ASSEMBLY - FINAL - WATER TANK (INCLUDES INDEX NUMBERS 5 - 7)	1
5	6408153	FLOAT/THERMISTOR ASSEMBLY - HOT WATER TANK	1
6	6338009	WELD ASSY - COVER - LONG INLET - HOT WATER TANK	1
7	6408155	SLEEVE-FLUTED-FLOAT ASSY	1
8	6238026	GASKET-CUT-WATER TANK	1
9	6338007	WELD ASSEMBLY - WATER TANK (115 VOLT MODELS ONLY)	1
	6338008	WELD ASSEMBLY - WATER TANK (230 VOLT MODELS ONLY)	
10	6338002	CLIP-SAFETY-THERMOSTAT	1
11	6338003	THERMOSTAT-AUTO RESET	1
12	6238100	HEATER - 1250 WATTS @ 120 VOLTS (115 VOLT MODELS ONLY)	1
	6238101	HEATER - 2000 WATTS @ 240 VOLTS (230 VOLT MODELS ONLY)	
13	1172021	NUT-1/4-20 WHIZ-LOCK	6
14	6238042	GASKET-HEATER	1
15	6238075	COVER - FRONT - WATER TANK	1
	6238136	INSULATION - BOTTOM - WATER TANK (NOT SHOWN)	1
	6238137	INSULATION - TOP - WATER TANK (NOT SHOWN)	1
16	6231189	LABEL-WARNING-HIGH VOLTAGE	1
17	1452139	RETAINER-HARNES	3
18	1451097	SCREW-#8-32 X .31 HEX HEAD	7
19	6238077	COVER-HEATER-WATER TANK	1
20	6231188	LABEL-CAUTION-HOT SURFACE	1
21	6238045	PLUG ASSEMBLY - HOT WATER TANK	1
22	9900081	NUT - #8-32 KEPS	16
23	6238112	VALVE ASSEMBLY, HOT WATER TANK (115 VOLT MODELS ONLY) (SEE FIGURE 46 FOR DETAILS)	4
	6238116	VALVE ASSEMBLY, HOT WATER TANK - 230 VOLTS (230 VOLT MODELS ONLY) (SEE FIGURE 46 FOR DETAILS)	

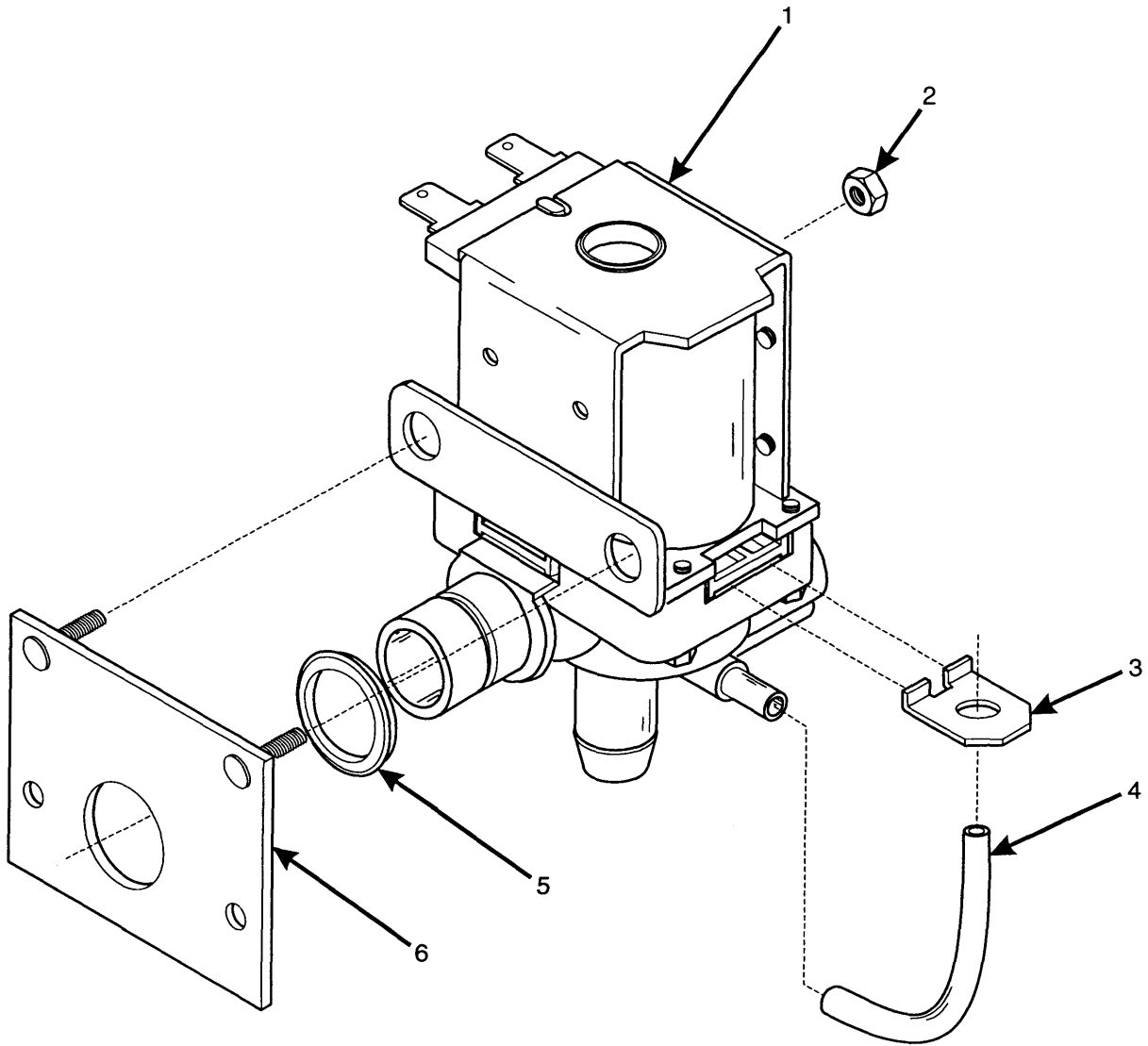


Figure 46. Valve Assembly, Hot Water Tank

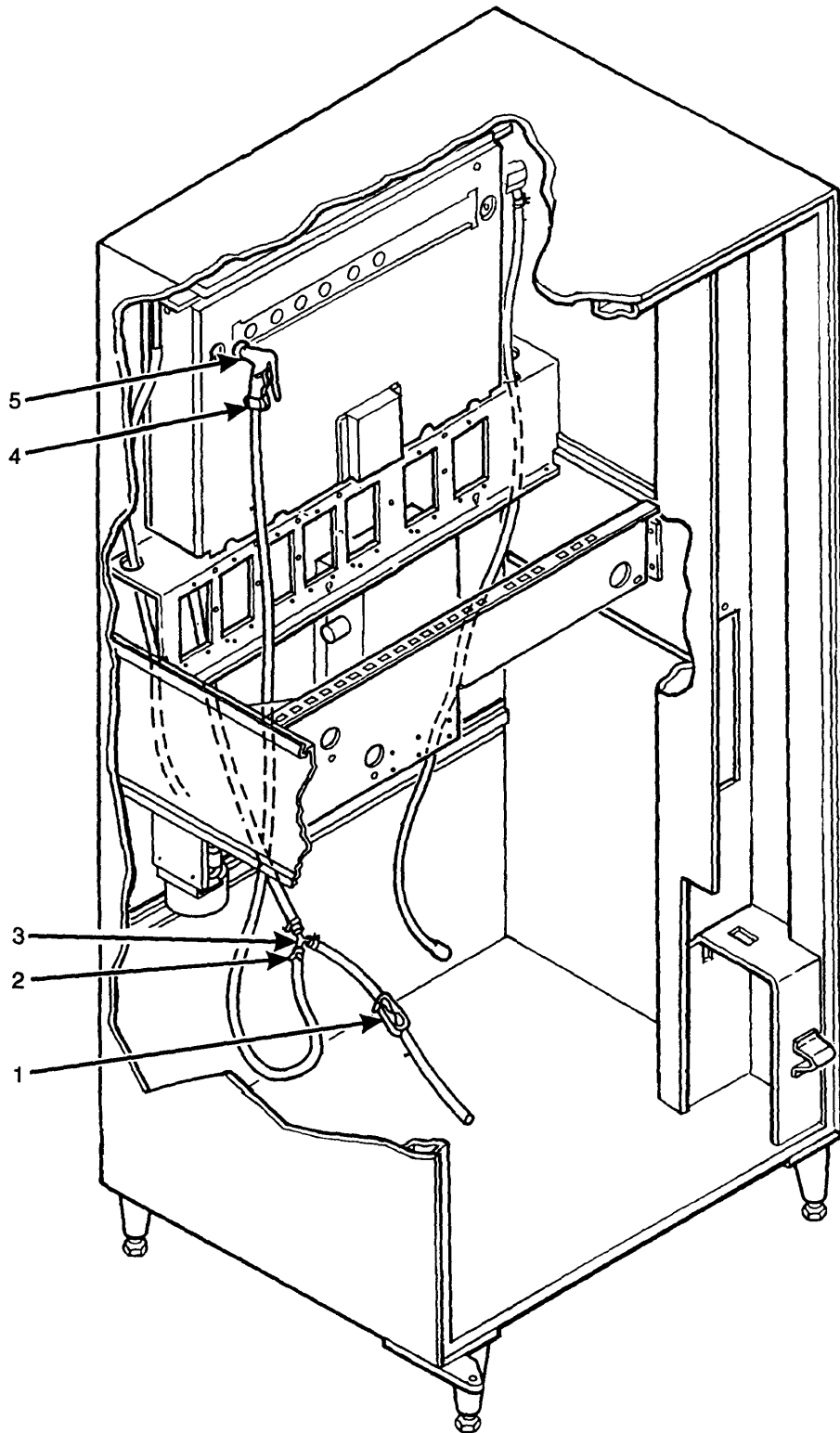


Figure 47. Liquid Distribution and Drain System (Part 1 of 2)

TABLE 47. LIQUID DISTRIBUTION AND DRAIN SYSTEM (PART 1 OF 2)

INDEX	PART NUMBER	DESCRIPTION	QTY.
1	6238154	CLAMP - PLASTIC - THROTTLING	1
2	6158063	CLAMP HOSE	3
3	6138094	Y CONNECTOR	1
4	6238051	FITTING - SPRAY HOSE	1
5	6238050	SPRAY HEAD	1
-	6338021	TUBING-SILICONE-.375 IDX.562OD (USE EXISTING TUBING AS A TEMPLATE AND CUT TO SIZE)	-

TABLE 47. LIQUID DISTRIBUTION AND DRAIN SYSTEM (PART 2 OF 2)

INDEX	PART NUMBER	DESCRIPTION	QTY.
1	6237164	TEE	2

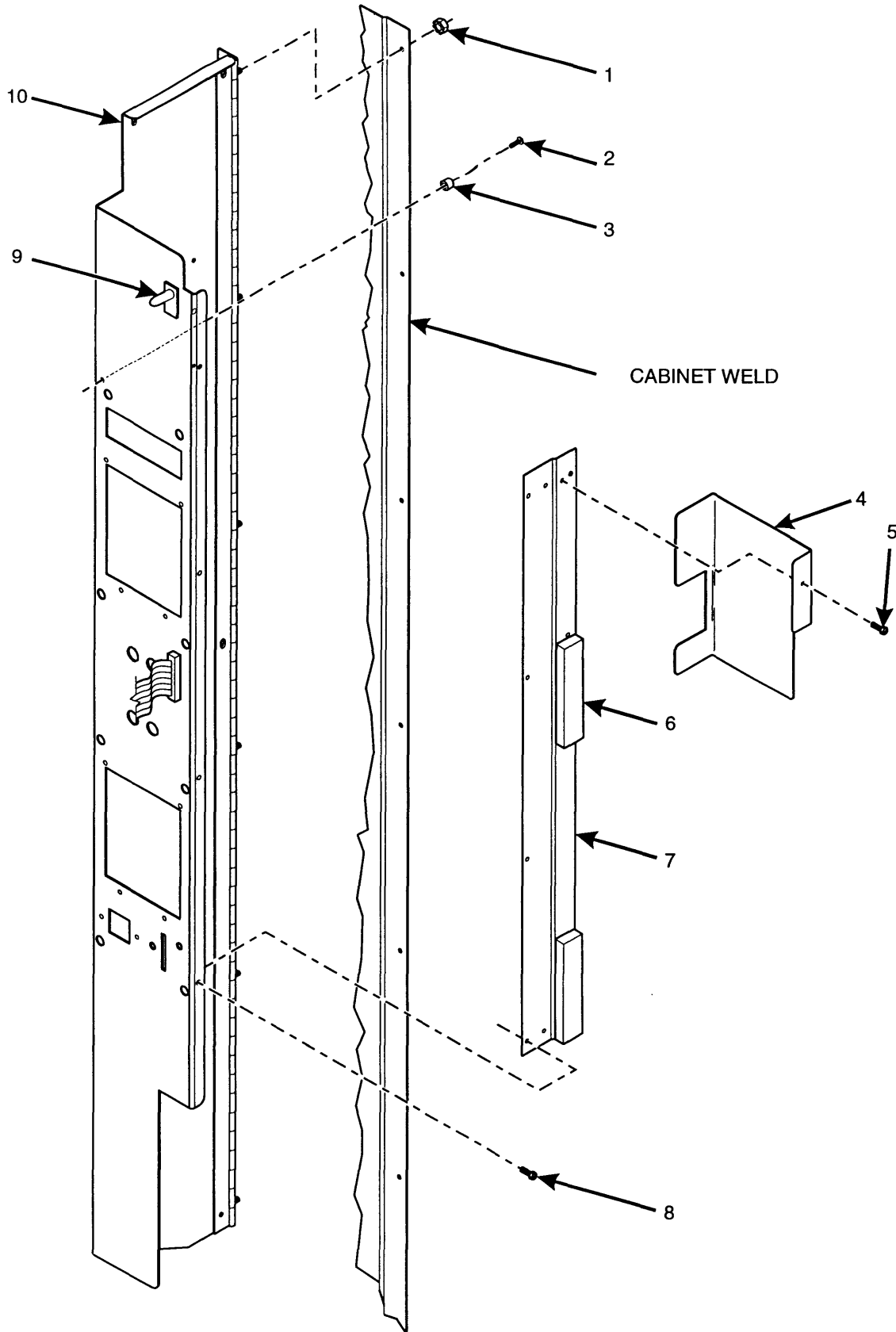


Figure 48. Monetary Panel Assembly (Part 1 of 4)

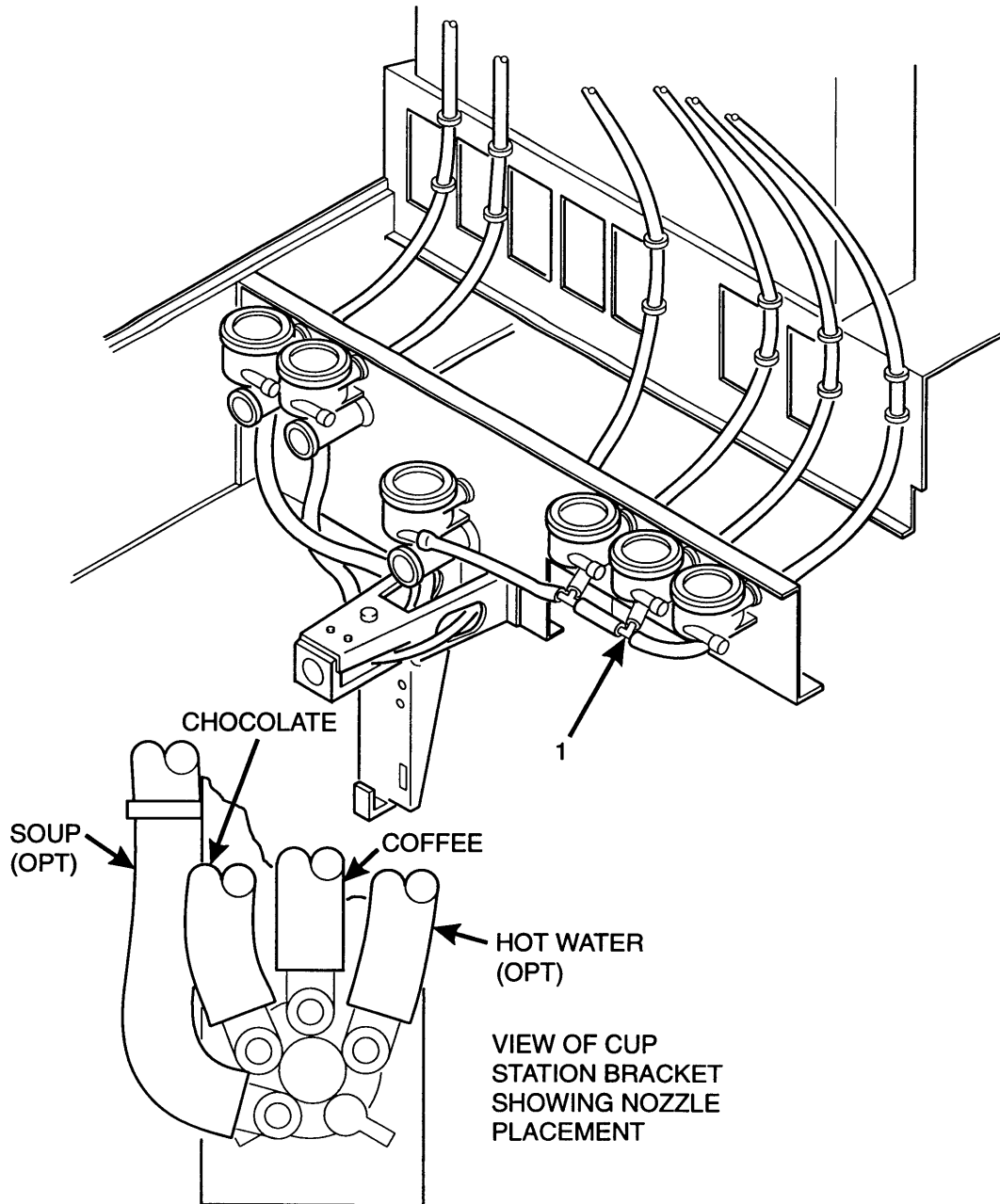


Figure 47. Liquid Distribution and Drain System (Part 2 of 2)

TABLE 48. MONETARY PANEL ASSEMBLY (PART 1 OF 4)

INDEX	PART NUMBER	DESCRIPTION	QTY.
1	-	NUT	6
2	-	SCREW	-
3	-	CUP SPACER	-
4	1575029	COVER - DISPLAY	1
5	-	SCREW	-
6	3122056	MAGNET RETAINER - COIN CHANGER	2
7	1575007	PLATE - MAGNET MOUNTING	1
8	-	SCREW	-
9	1401110	SWITCH 1DM3	1
10	1575031	WELD ASSEMBLY - PANEL - MONETARY	1

TABLE 48. MONETARY PANEL ASSEMBLY (PART 2 OF 4)

INDEX	PART NUMBER	DESCRIPTION	QTY.
1	1575031	WELD ASSEMBLY - PANEL - MONETARY	REF
2	1475099	BRACKET - PCB - DISPLAY	1
3	9989657	PCB ASSEMBLY - DISPLAY	1
4	-	SCREW	-
5	-	SCREW	-
6	1475026	BUTTON - COIN RETURN	1
7	1475072	SHAFT - RETURN BUTTON	1
8	1127808	SPRING SHELF RESET	1
9	1571079	BRACKET - COIN RETURN BUTTON	1
10	-	NUT	-
11	-	SCREW	-
12	1575003	COIN CHUTE ASSEMBLY	1
13	-	CUP SPACER	-
14	-	SCREW	-
15	1571081	BRACKET ASSEMBLY - COIN MECH	1
16	-	NUT	-
17	6231037	CLAMP - CABLE	1
18	-	SCREW	-
19	-	SCREW	-
20	2204093	WASHER SCAVENGER BAR	1
21	1571073	ARM - SCAVENGER	1
22	1575047	CASTING - MONETARY FRAME - BLACK	REF

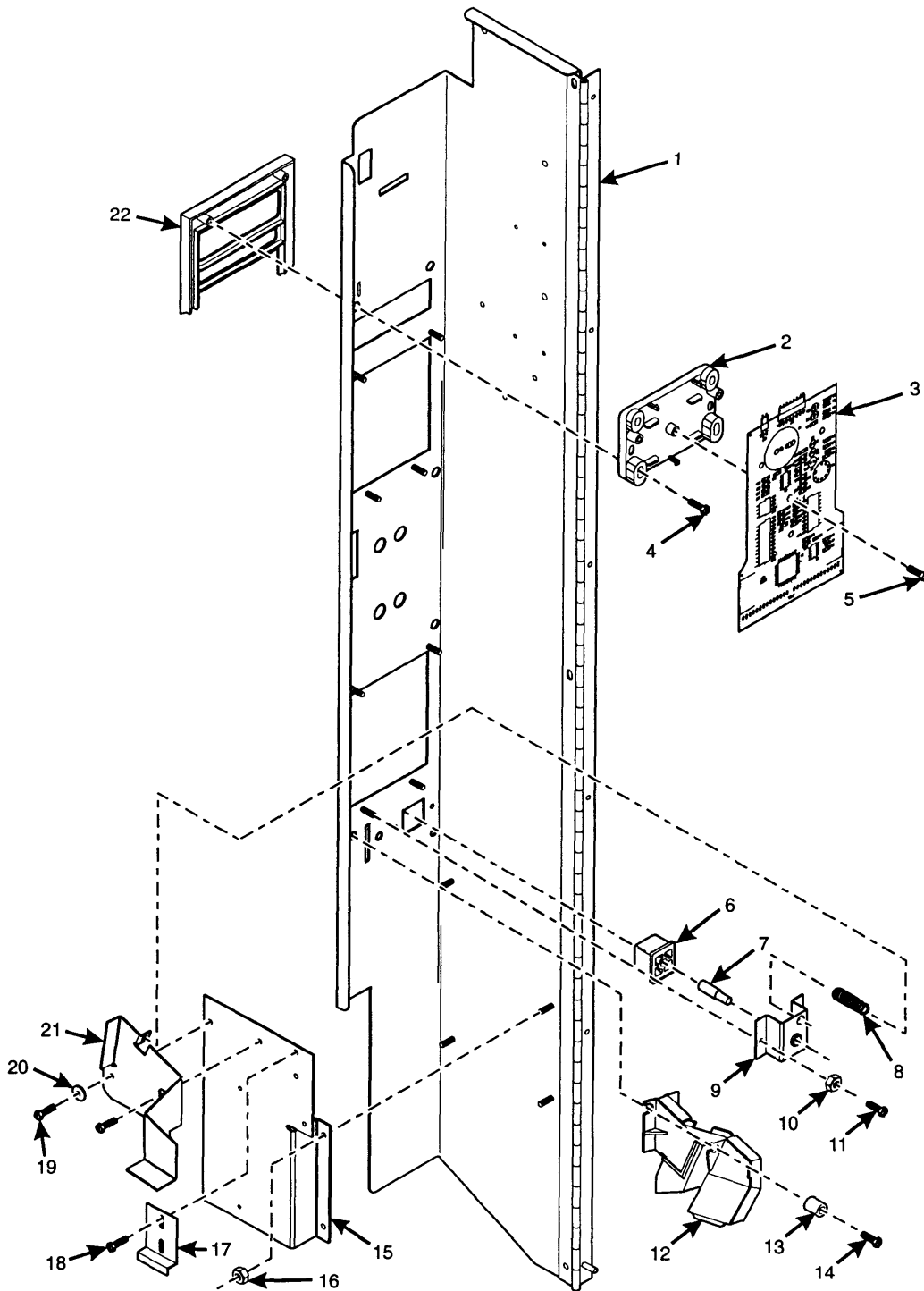


Figure 48. Monetary Panel Assembly (Part 2 of 4)

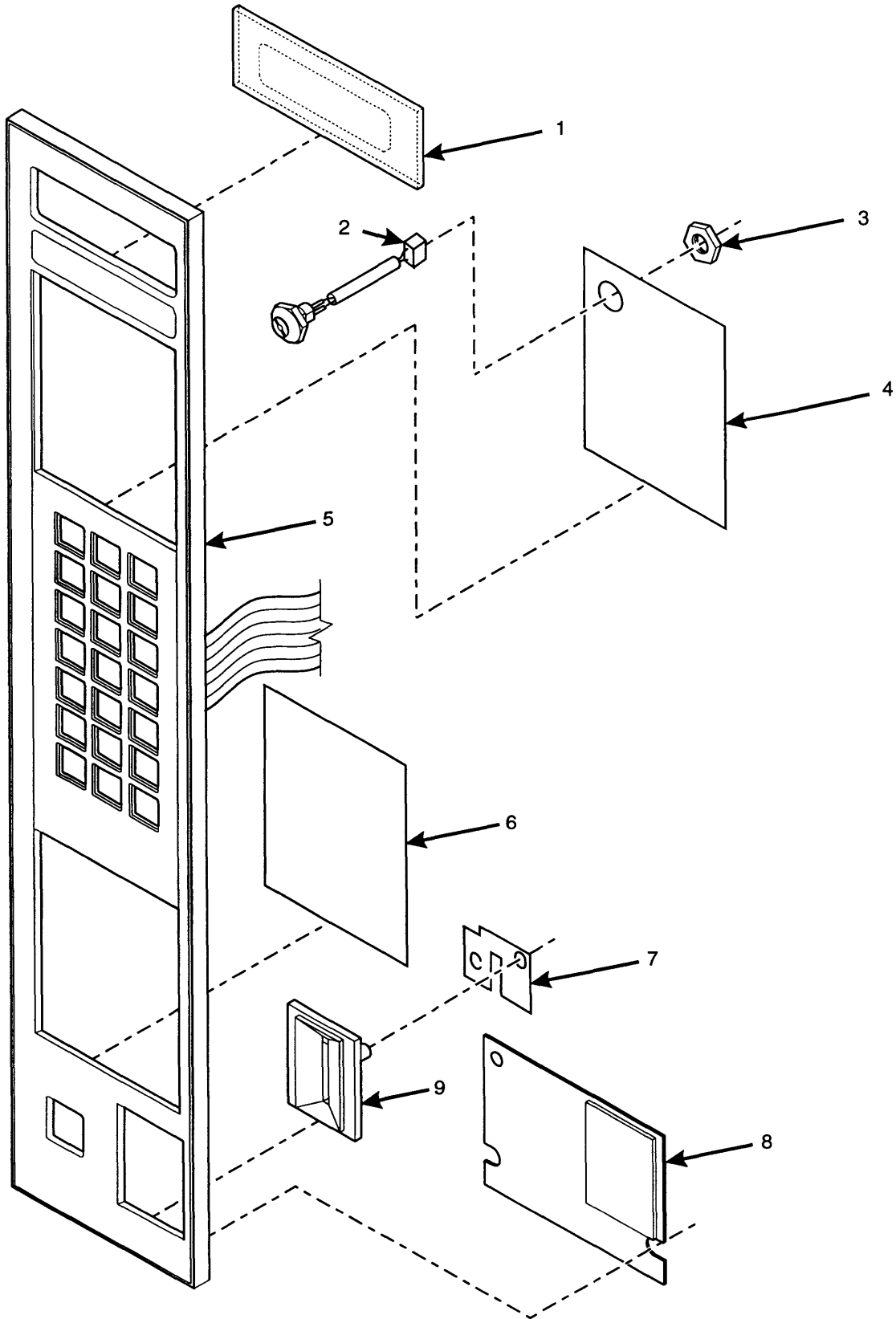


Figure 48. Monetary Panel Assembly (Part 3 of 4)

TABLE 48. MONETARY PANEL ASSEMBLY (PART 4 OF 4)

INDEX	PART NUMBER	DESCRIPTION	QTY.
1	1595010	FACE PLATE ASSEMBLY GLASCO	1
2	1472251	LENS-PUSH BUTTON	21
3	1595002	LETTER SHEET-SELECT SWITCH	1
4	9984625	MEMBRANE SWITCH ASSY-SELECT	1
5	1575009	PLATE-SELECT SWITCH-BACK UP	1



TABLE 48. MONETARY PANEL ASSEMBLY (PART 3 OF 4)

INDEX	PART NUMBER	DESCRIPTION	QTY.
1	1572013	LENS-DISPLAY	1
2	9989639	SWITCH ASSEMBLY - FREE VEND (FREE VEND OPTION ONLY)	OPT
3	-	NUT (PART OF ITEM # 2)	1
4	-	UPPER MONETARY INSERT POSITION (SEE TABLES 49 - 53 FOR PART NUMBERS AND APPLICATIONS)	-
5	1595010	FACE PLATE ASSEMBLY - GLASCO	1
6	-	LOWER MONETARY INSERT POSITION (SEE TABLES 49 - 53 FOR PART NUMBERS AND APPLICATIONS)	-
7	1472222	COIN BLOCK	1
8	1575044	COVER PLATE ASSEMBLY	1
9	1472223	COIN INSERT	1

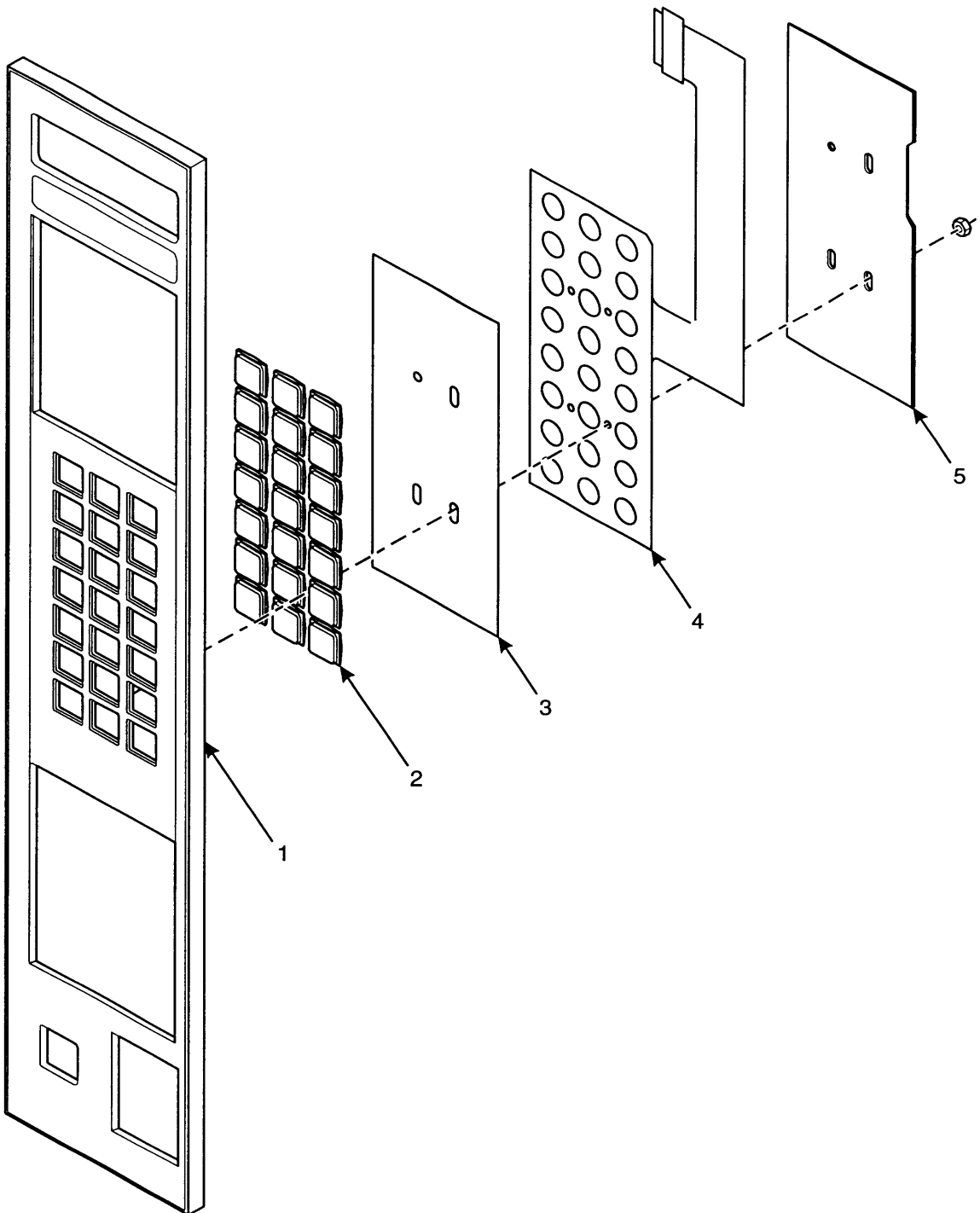


Figure 48. Monetary Panel Assembly (Part 4 of 4)

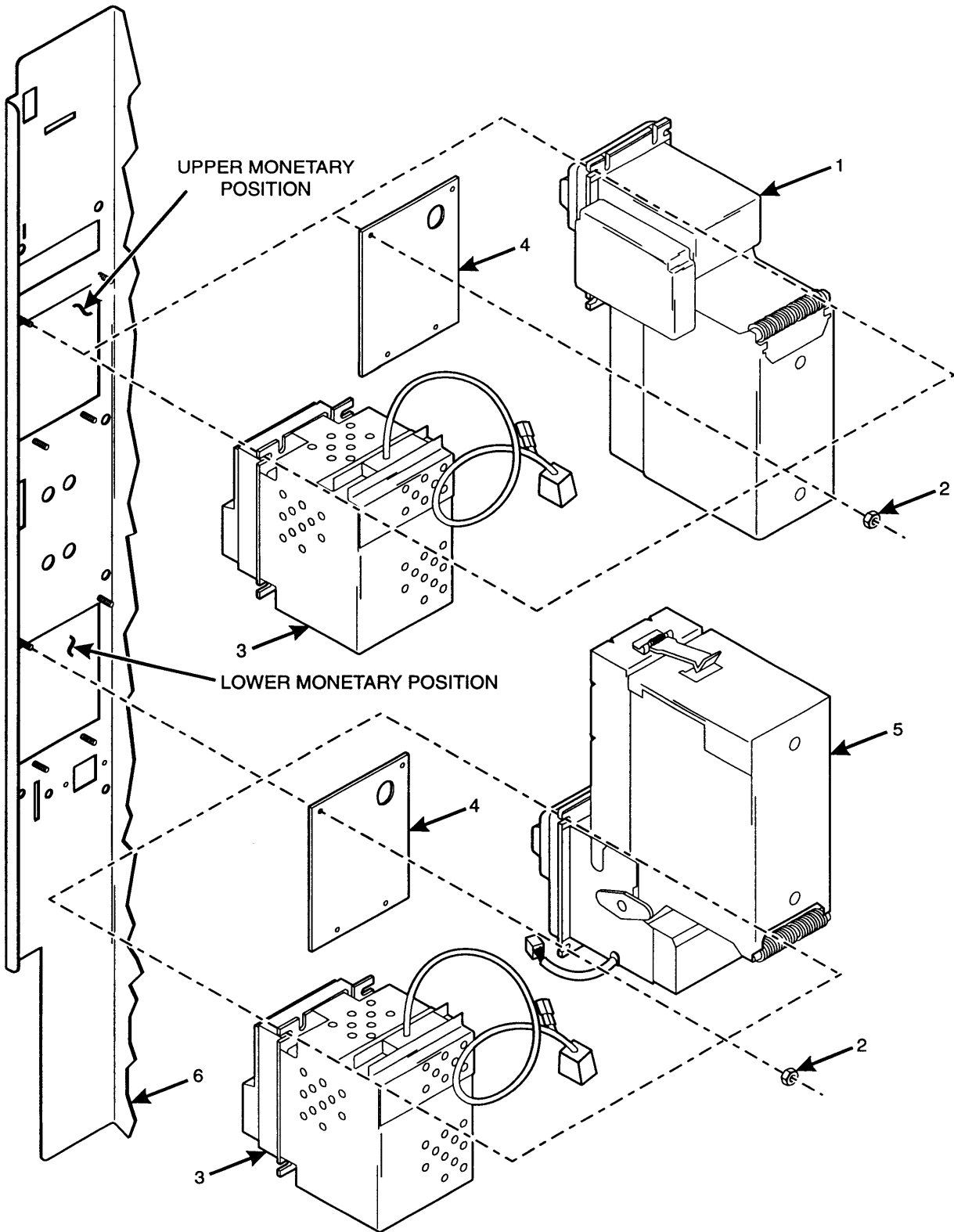


Figure 49. Card Reader and Bill Validator Combinations

TABLE 51. BILL VALIDATOR OPTIONS

PART NUMBER	DESCRIPTION	HARNESS PART NUMBER
3152444	MARS - VFM1 - S1 - U4C - CNSMT	1579005
3152391	MARS - VFM3 - S1 - U4C - CNSMT	1579004
1475053	MAKA MASK K (NB-1KB-400)	1579006
5900182	COINCO - BA30SA	1579004

TABLE 52. COIN MECHANISM OPTIONS

PART NUMBER	DESCRIPTION	HARNESS PART NUMBER
5900116	MARS TRC6000	2470722
5307321	COINTRON 3000	2470723
5900096	COINCO 9340L	2470716
5900097	COINCO 9340L - BRC	2470715
5900112	MARS MC5000	2470721
6400002	MARS # TRC6010XV - 24V W/15 PIN PLUG	6400804
6400003	COINCO # 9302LF - 24V W/15 PIN PLUG	6400805

TABLE 53. CARD READERS

PART NUMBER	DESCRIPTION	HARNESS PART NUMBER
1475107	DEBITEK # VIS-MM-NAT SYSTEM III	6330828
6231515	PLATE ASSEMBLY - DEBIT CONTROLLER MOUNTING	-



TABLE 49. CARD READER AND BILL VALIDATOR COMBINATIONS

INDEX	DESCRIPTION	QTY.
1	DOWNSTACK BILL VALIDATOR	OPT
2	NUT	4
3	DEBIT CARD READER	OPT
4	INSTRUCTION INSERT BACKING PLATE	OPT
5	UPSTACK BILL VALIDATOR	OPT
6	MONETARY PANEL WELD ASSEMBLY (REF.)	-

TABLE 50. MONETARY LOCATION OPTIONS

MONETARY CAPABILITY	MONETARY PANEL LOCATION		WITH COIN?
	UPPER	LOWER	
COIN - VAL - CARD	CARD READER	UPSTACK VALIDATOR	YES
COIN - VAL - CARD	DOWNSTACK VALIDATOR	CARD READER	YES
COIN - VAL	INSERT INSTRUCTIONS BACK-UP PLATE (1575011)	UPSTACK VALIDATOR	YES
COIN - VAL	DOWNSTACK VALIDATOR	INSERT INSTRUCTIONS BACK-UP PLATE (1575011)	YES
COIN - CARD	INSERT INSTRUCTIONS BACK-UP PLATE (1575011)	CARD READER	YES
COIN - CARD	CARD READER	INSERT INSTRUCTIONS BACK-UP PLATE (1575011)	YES
VAL - CARD	DOWNSTACK VALIDATOR	CARD READER	NO
VAL - CARD	CARD READER	DOWNSTACK VALIDATOR	NO
COIN ONLY	INSERT INSTRUCTIONS BACK-UP PLATE (1575011)	INSERT INSTRUCTIONS BACK-UP PLATE (1575011)	YES
VAL ONLY	INSERT INSTRUCTIONS BACK-UP PLATE (1575011)	UPSTACK VALIDATOR	NO
VAL ONLY	DOWNSTACK VALIDATOR	INSERT INSTRUCTIONS BACK-UP PLATE (1575011)	NO
CARD ONLY	CARD READER	INSERT INSTRUCTIONS BACK-UP PLATE (1575011)	NO
CARD ONLY	INSERT INSTRUCTIONS BACK-UP PLATE (1575011)	CARD READER	NO

NOTES

ALL ITEMS ARE SECURED WITH FOUR NUTS (P/N 9900081).
 SHADED ITEMS REPRESENT ALTERNATE CONFIGURATIONS.

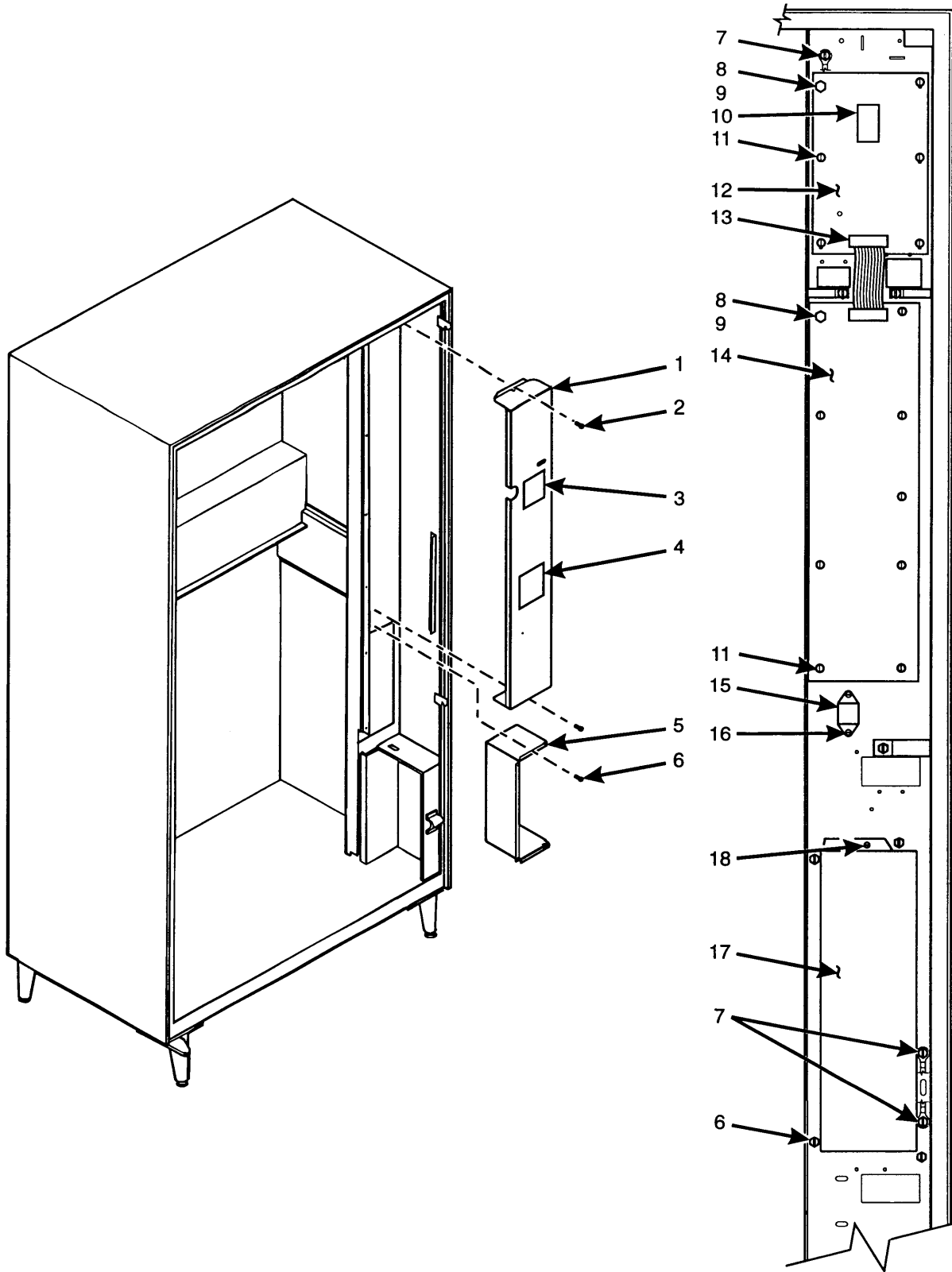


Figure 54. Monetary Channel Assembly

TABLE 55. MISCELLANEOUS MOUNTED PARTS - DOOR ASSEMBLY

INDEX	PART NUMBER	DESCRIPTION	QTY.
1	6262077	LIFT BRACKET - CUP STATION	1
2	-	MOUNTING HARDWARE	
3	3142138	HANGER - CUP STATION	1
4	-	MOUNTING HARDWARE	
5	1211105	#1/4-20 KEPS NUT EXT LW ZIP	2
6	6232031	HINGE ASSEMBLY - DOOR - LOWER	1
7	4242145	BEARING - THRUST - LOWER HINGE	1
8	6232208	WELD SCREW - 1/4-20 X 1" LG	2
9	6232028	PLATE ASSEMBLY - HINGE MOUNTING	2
10	-	MOUNTING HARDWARE	
11	6231164	BRACKET - DOOR SUPPORT	1
12	6262046	FILLER STRIP - SANITATION	1

TABLE 54. MONETARY CHANNEL ASSEMBLY

INDEX	PART NUMBER	DESCRIPTION	QTY.
1	1571033	COVER - CONTROLLER & INTERFACE PCB	1
2	-	ATTACHING HARDWARE	2
3	2342216	LABEL - STATIC CAUTION (U.S.)	1
	6232291	LABEL - STATIC CAUTION (INTERNATIONAL)	
4	6231189	LABEL - WARNING - HIGH VOLTAGE (U.S.)	1
	6232290	LABEL - WARNING - HIGH VOLTAGE (INTERNATIONAL)	
5	1571032	HOUSING - POWER PANEL	1
6	-	ATTACHING HARDWARE	4
7	-	ATTACHING HARDWARE	3
8	1571034	STANDOFF - PCB - 3/8 SCREW MOUNT	2
9	-	ATTACHING HARDWARE	2
10	6386001	IC ASSEMBLY - VERSION 638.01 (P/N MAY CHANGE WHEN VERSION CHANGES)	1
11	-	ATTACHING HARDWARE	13
12	9989678	PCB ASSEMBLY - MAIN CONTROLLER	1
13	1579008	RIBBON CABLE - 16 CONDUCTOR	1
14	6336000	PCB ASSEMBLY - HOT DRINK INTERFACE	1
15	9983778	TRIAC - 35A - 600V	1
16	-	ATTACHING HARDWARE	2
17	4841012	POWER PANEL ASSEMBLY (U.S. ONLY)	1
	1571084	POWER PANEL ASSEMBLY (230 VOLT MODELS ONLY)	
	1571136	POWER PANEL ASSEMBLY (115 VOLT INTERNATIONAL MODELS ONLY)	
18	-	ATTACHING HARDWARE	1

Figure 55. Miscellaneous Mounted Parts - Door Assembly

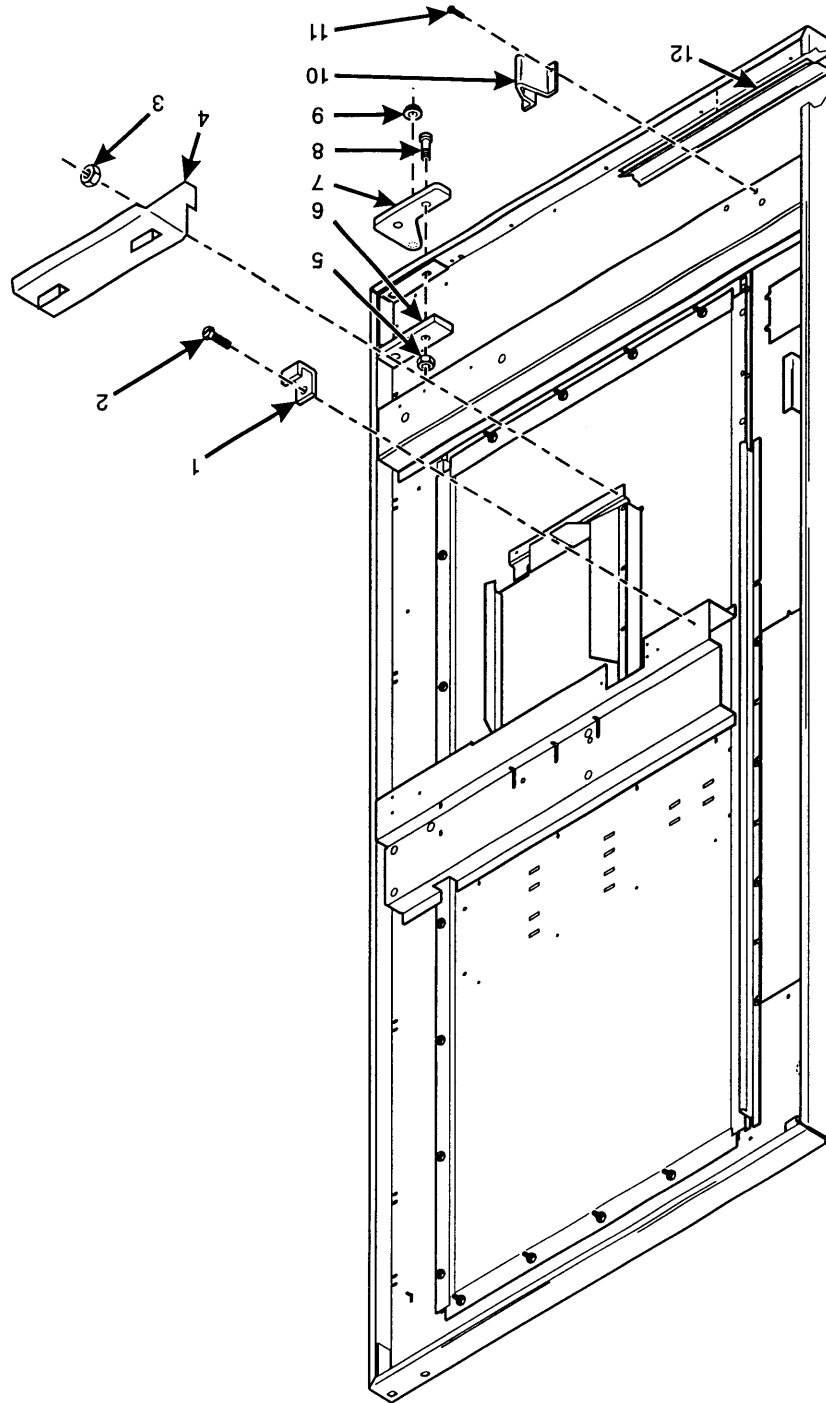


Figure 56. Miscellaneous Mounted Parts - Cabinet Assembly

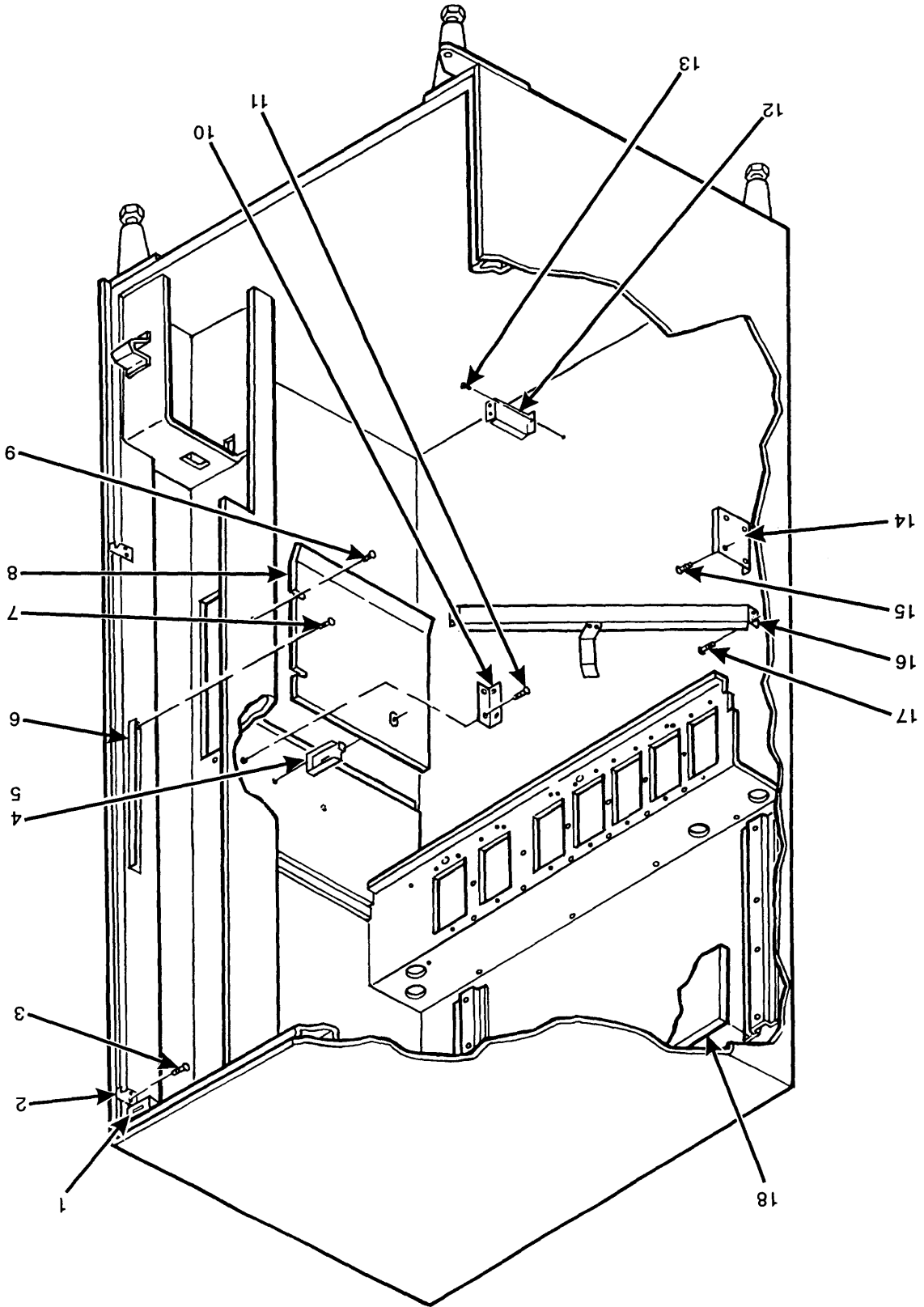


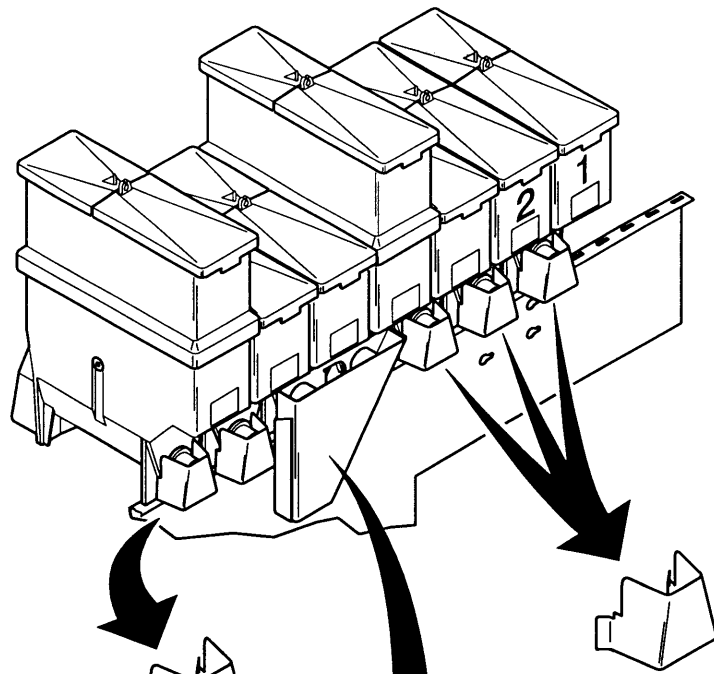
TABLE 57. PRODUCT AND CONDIMENT CHUTES AND USAGE

	CANISTER 2	CANISTER 1
TYPE OF PRODUCT	FREEZE DRIED COFFEE OR FREEZE DRIED TEA	FREEZE DRIED COFFEE OR FREEZE DRIED TEA
CHUTES USED (BY PART NUMBER)	6237144	6237144



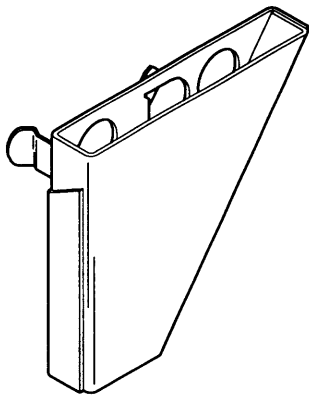
TABLE 56. MISCELLANEOUS MOUNTED PARTS - CABINET ASSEMBLY

INDEX	PART NUMBER	DESCRIPTION	QTY.
1	6231510	BRACKET - SWITCH - INTERLOCK	1
2	1571021	LOCK ARM - CABINET	2
3	1141043	SCREW, #10-32 X .50 HEX HEAD	4
4	6231143	BRACKET - POWER PANEL RETAINER	2
5	1451097	SCREW, #8-32 X .31 HEX HD T.F. - BLACK	1
6	1571022	STOP - MONETARY PANEL	1
7	1451097	SCREW, #8-32 X .31 HEX HD T.F. - BLACK	2
8	6231138	WATER SHIELD	2
9	1451097	SCREW, #8-32 X .31 HEX HD T.F. - BLACK	1
10	6231033	BRACKET - CANISTER SUPPORT	2
11	1451097	SCREW, #8-32 X .31 HEX HD T.F. - BLACK	2
12	6234516	BRACKET - MOUNTING PLATE	4
13	9900164	NUT, #10-32 W/LW	1
14	6231142	PLATE - WATER - FILTER (WITH WATER FILTER OPTION)	(OPT)
15	1451097	SCREW, #8-32 X .31 HEX HD T.F. - BLACK	2
16	6331009	BRACE - CANISTER SUPPORT	1
17	6341007	SCREW, #8-32 X .31 HEX HD T.F. - BLACK	2
18	1571074	INSULATION - BACK - HOT WATER TANK	1



6237144
BRACKET - DEFLECTOR - CHOCOLATE
(USED ON ALL MACHINES)

6237144
BRACKET - DEFLECTOR - CHOCOLATE
(USED FOR CHOCOLATE,
SOUP, F.D. COFFEE, AND F.D. DECAF)



6267146
COVER, INGRED CHUTE
-2 PROD

6267145
INGRED CHUTE
-2 PROD

6267144
CHUTE ASSEMBLY
-2 INGREDIENT
USED FOR SUGAR
AND LIGHTENER

FREEZE DRY CANISTERS, CHOCOLATE, CONDIMENT, AND PRODUCT CHUTES

Figure 57. Product and Condiment Chutes and Usage

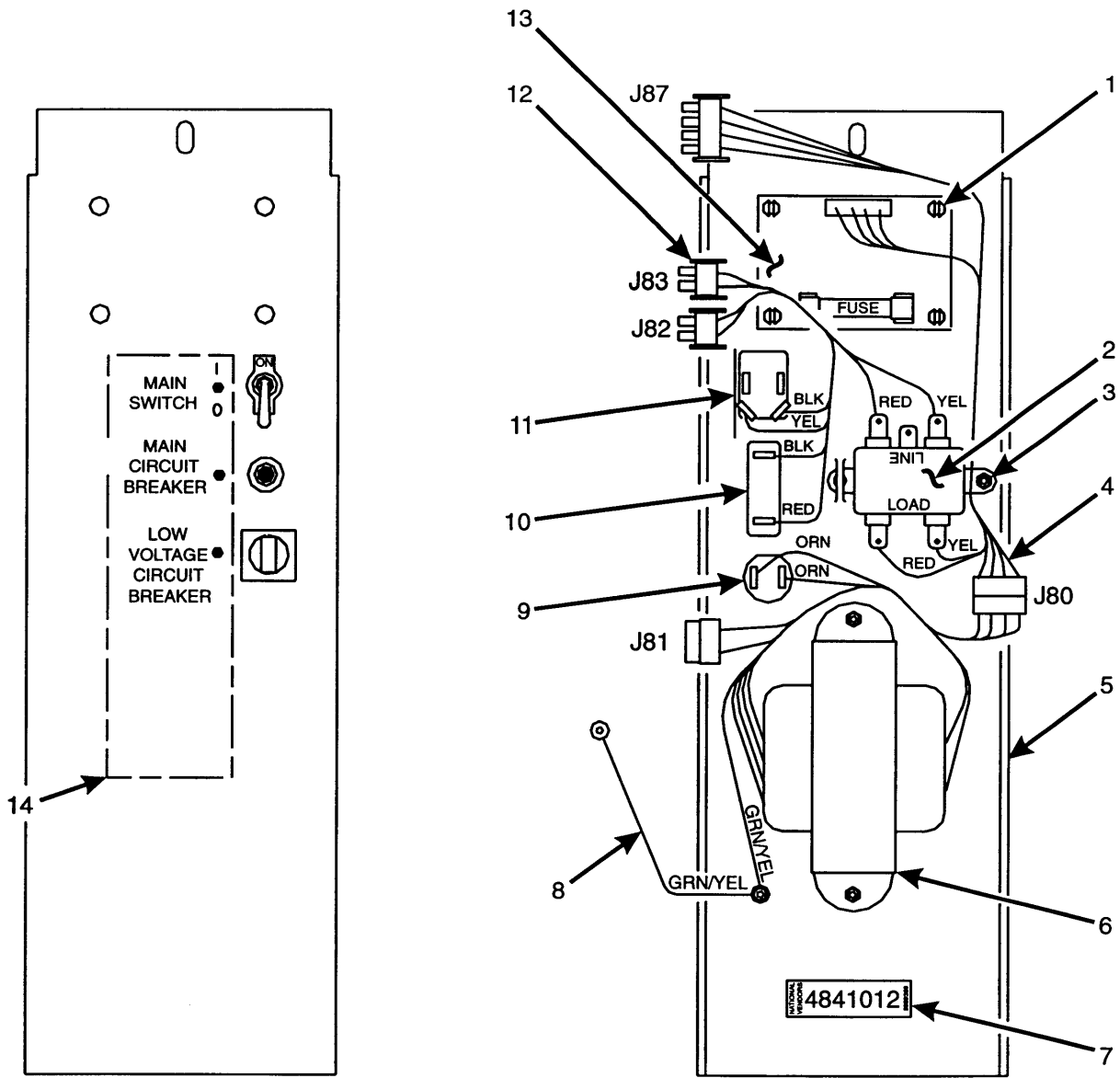


Figure 58. Power Panel Assembly (U.S.)

TABLE 58. POWER PANEL ASSEMBLY (U.S.)

INDEX	PART NUMBER	DESCRIPTION	QTY.
-	4841012	POWER PANEL ASSEMBLY	1
1	1571035	STANDOFF - PCB-3/8 SNAP LOCK	4
2	9989100	INTERFERENCE FILTER	1
3	9900081	NUT #8-32 KEPS ZINC PLATE	-
4	1579017	HARNESS - COIN HANDLING - POWER	1
5	1571040	PLATE & STUD ASSEMBLY - POWER	1
6	9989042	TRANSFORMER - 115V/230V PRIMARY, 24V SECONDARY	1
7	9989369	LABEL - N.V. BLANK	1
8	9984165	JUMPER - GROUND WIRE	1
9	9989674	CIRCUIT BREAKER - 4 AMP	1
10	9989672	CIRCUIT BREAKER - 15 AMP	1
11	9984622	SWITCH - SPDT - TOGGLE - 20 AMP	1
12	1579013	HARNESS - POWER PANEL	1
13	9989659	PCB ASSEMBLY - DUMB MECH POWER SUPPLY	1
14	1571064	LABEL - POWER CONTROL PANEL - USA	1

TABLE 59. POWER PANEL ASSEMBLY (230 VOLT MODELS ONLY)

INDEX	PART NUMBER	DESCRIPTION	QTY.
-	1571084	POWER PANEL ASSEMBLY	1
1	1579014	HARNESS - POWER PANEL - FOREIGN	1
2	9989100	INTERFERENCE FILTER	1
3	9900081	NUT #8-32 KEPS ZINC PLATE	
4	1579016	JUMPER - TRANSFORMER - FOREIGN	1
5	1571068	LABEL-POWER CONTROL PANEL (SP.) (ENGLISH TRANSLATION SHOWN)	1
6	1571038	PLATE & STUD ASSEMBLY - POWER	1
7	9989042	TRANSFORMER - 115V/230V PRIMARY, 24V SECONDARY	1
8	9989369	LABEL - N.V.BLANK	1
9	9984165	JUMPER - GROUND WIRE	1
10	9989674	CIRCUIT BREAKER - 4 AMP	1
11	9984627	CIRCUIT BREAKER/SWITCH - 16 AMP	1

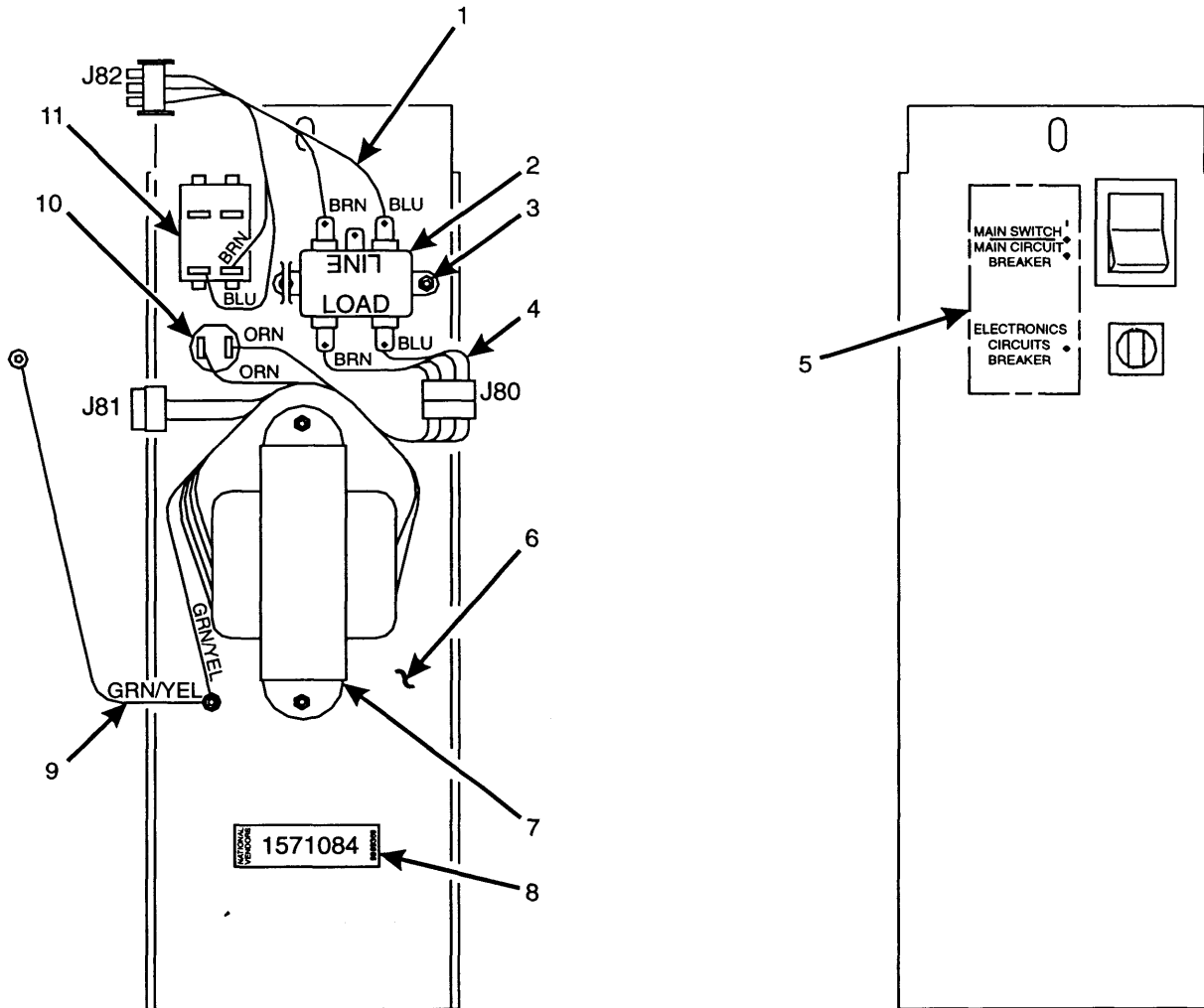


Figure 59. Power Panel Assembly (230 Volt Models Only)

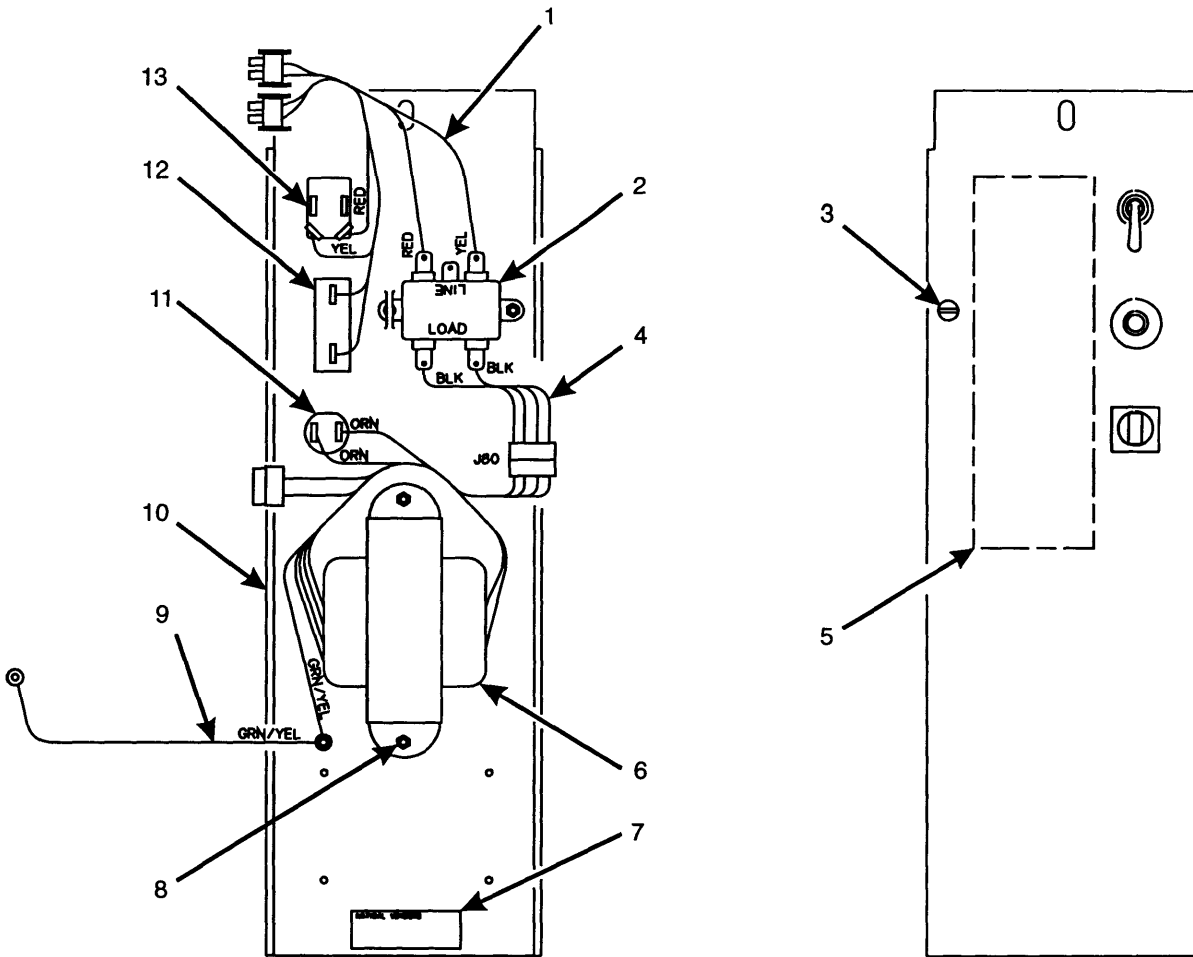


Figure 60. Power Panel Assembly (115 Volt International Models Only)

TABLE 61. CLAMPS (PART 1 OF 2)

INDEX	PART NUMBER	DESCRIPTION	QTY.
1	4302166	CABLE CLIP - SELF ADHESIVE - 1.0 IN WIDE	1
2	4732024	RETAINER - HARNESS 1/2 IN. DIA.	9
3	4751060	RETAINER - HARNESS 5/8 IN. DIA.	9
4	6231035	HARNESS CLIP - .750	1
5	1452139	RETAINER HARNESS 3/8 IN. DIA.	3
6	4305043	HARNESS CLIP - 1.00 1.00 IN. DIA.	2
-	1451097	SCREW - #8-32X.31 HEX HD. TF - BLK.	-

NOTE

The wire harness diagrams on the following pages are for identification and location purposes only. Refer to your wiring diagrams for interconnect information.

TABLE 60. POWER PANEL ASSEMBLY (115 VOLT INTERNATIONAL MODELS ONLY)

INDEX	PART NUMBER	DESCRIPTION	QTY.
-	1571136	POWER PANEL ASSEMBLY - 120V - EXEC.	1
1	1579013	HARNESS - POWER PANEL - DOMESTIC	1
2	9989100	INTERFERENCE FILTER	1
3	1211110	8-32 X 1/4 RHS MACHINE SCREW	1
4	1579020	JUMPER - 120VAC TO TRANSFORMER	1
5	1571068	LABEL - POWER CONTROL PANEL - SPANISH (ENGLISH TRANSLATION SHOWN)	1
6	9989042	TRANSFORMER - 115V/230V PRIMARY, 24V SECONDARY	1
7	9989369	LABEL - N.V. BLANK	1
8	9900081	NUT #8-32 KEPS ZINC PLATE	3
9	9984165	JUMPER - GROUND WIRE	1
10	1571129	PLATE & STUD ASSEMBLY	1
11	9989336	CIRCUIT BREAKER - 3 AMP	1
12	9989673	CIRCUIT BREAKER - 20 AMP	1
13	9984629	SWITCH - TOGGLE - DPST - 20 AMP	1

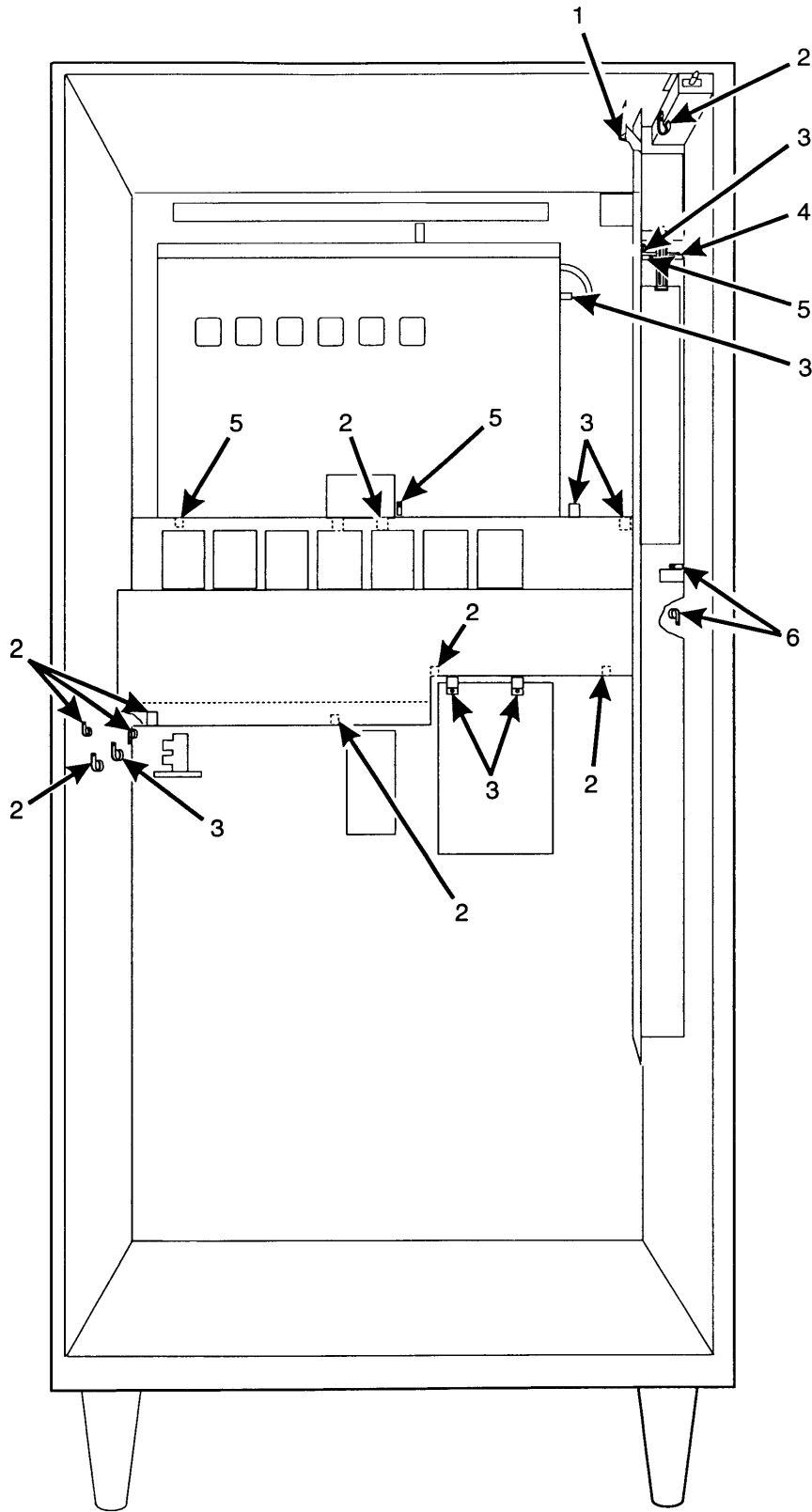


Figure 61. Clamps (Part 1 of 2)

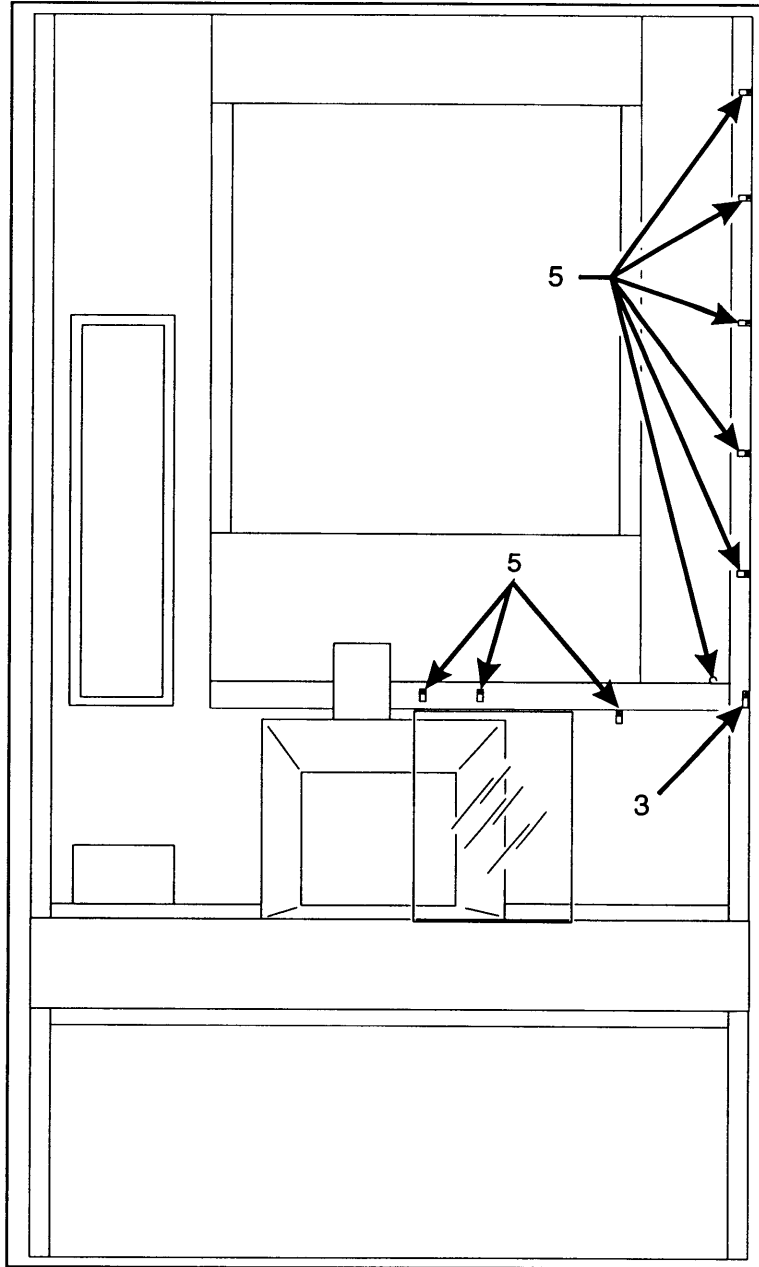


Figure 61. Clamps (Part 2 of 2)

TABLE 62. HARNESSES AND CONNECTORS (2 OF 8)

INDEX	PART NUMBER	DESCRIPTION	QTY.
1	1579001	HARNESS - 24VAC POWER (U.S.)	1
	6339015	HARNESS - 24 VAC POWER (INTERNATIONAL)	1
2	6339004	HARNESS - AC 1	1
3	6339013	HARNESS - AC 2	1

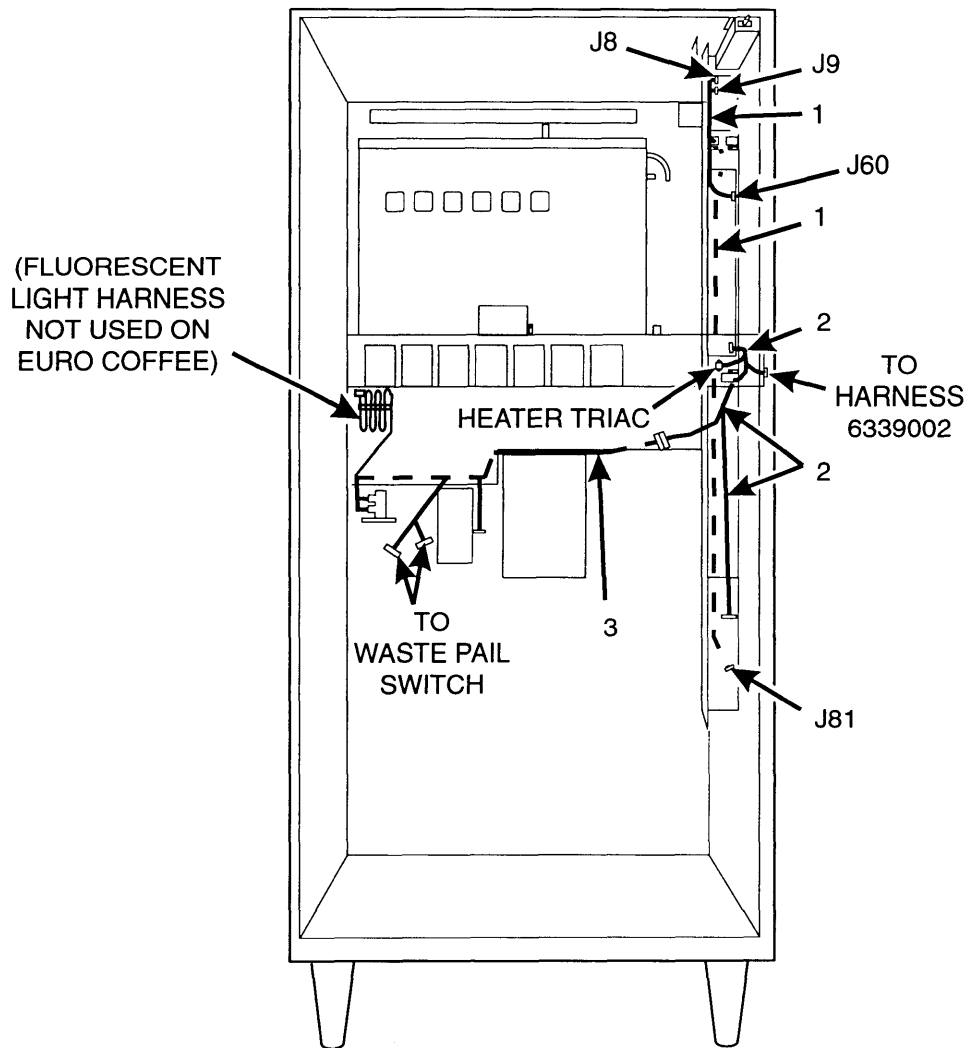


Figure 62. Harnesses and Connectors (Part 2 of 8)

TABLE 61. CLAMPS (PART 2 OF 2)

INDEX	PART NUMBER	DESCRIPTION	QTY.
1	1452139	RETAINER HARNESS 3/8 IN. DIA.	3
2	4732024	RETAINER - HARNESS 1/2 IN. DIA.	9

TABLE 62. HARNESSES AND CONNECTORS (1 OF 8)

INDEX	PART NUMBER	DESCRIPTION	QTY.
1	6339002	HARNESS - VALVES & HEATER	1
2	6339009	JUMPER - FLOAT SWITCH ASSEMBLY	1

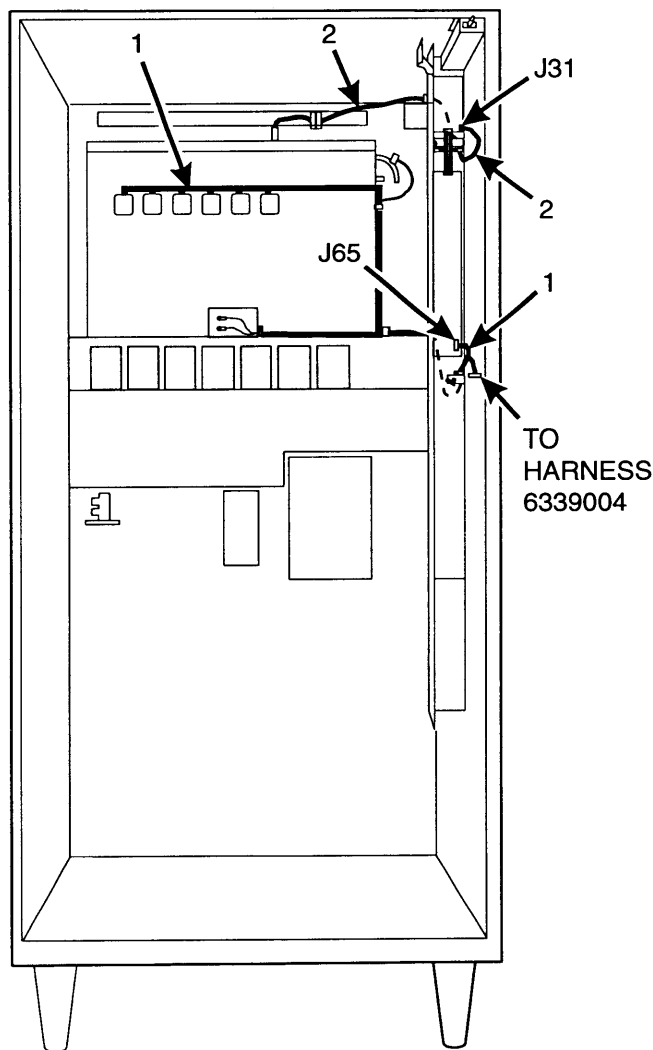


Figure 62. Harnesses and Connectors (Part 1 of 8)

TABLE 62. HARNESSES AND CONNECTORS (3 OF 8)

INDEX	PART NUMBER	DESCRIPTION	QTY.
1	1579028	HARNESS - SERIAL VALIDATOR (U.S.)	1
2	1579005	HARNESS - MARS PULSE VALIDATOR (U.S.)	1
3	1579006	HARNESS - MAKA PULSE VALIDATOR (U.S.)	1
4	1579003	HARNESS - COIN MECHANISM (U.S.)	1
-	1579007	JUMPER - EXEC. MECHANISM (NOT SHOWN)	1

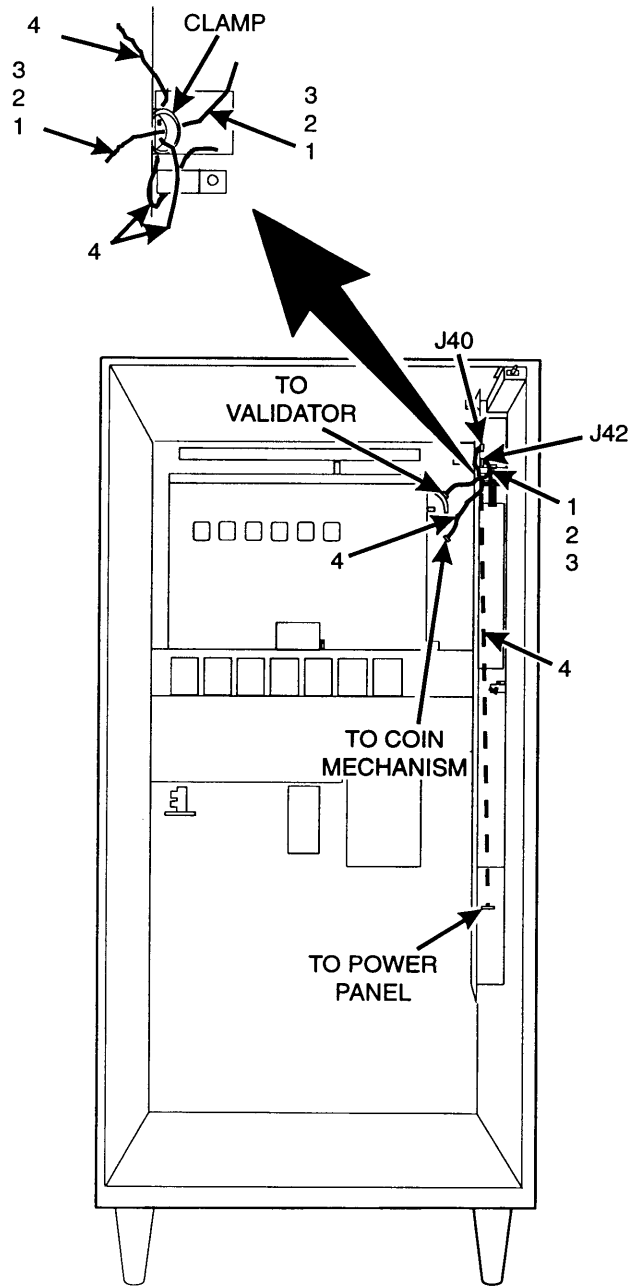


Figure 62. Harnesses and Connectors (Part 3 of 8)

TABLE 62. HARNESSES AND CONNECTORS (4 OF 8)

INDEX	PART NUMBER	DESCRIPTION	QTY.
1	9984165	JUMPER - GROUND WIRE	1
2	1579010	JUMPER - INTERLOCK (115 VOLT MODELS ONLY)	1
	1579011	JUMPER - INTERLOCK (230 VOLT MODELS ONLY)	

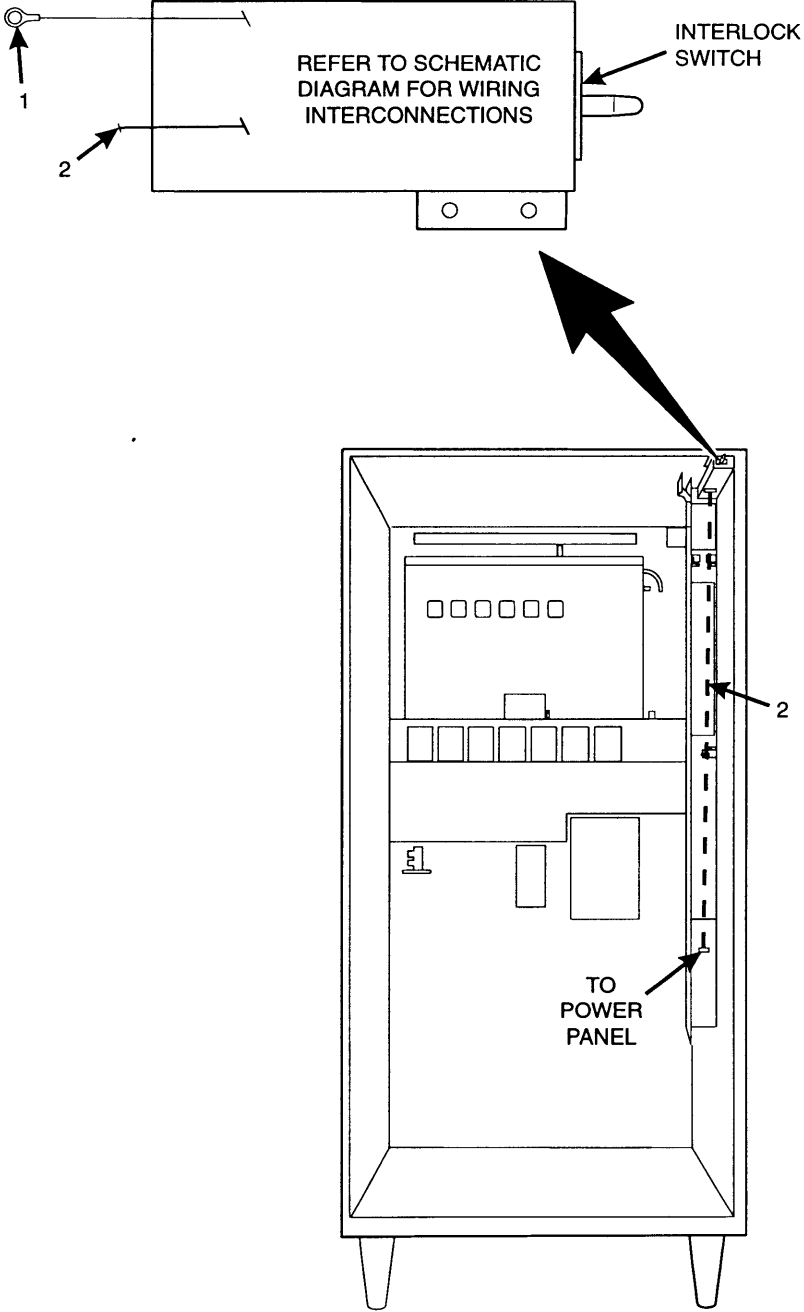


Figure 62. Harnesses and Connectors (Part 4 of 8)

TABLE 62. HARNESSES AND CONNECTORS (6 OF 8)

INDEX	PART NUMBER	DESCRIPTION	QTY.
1	6339001	HARNESS - AUGERS	1

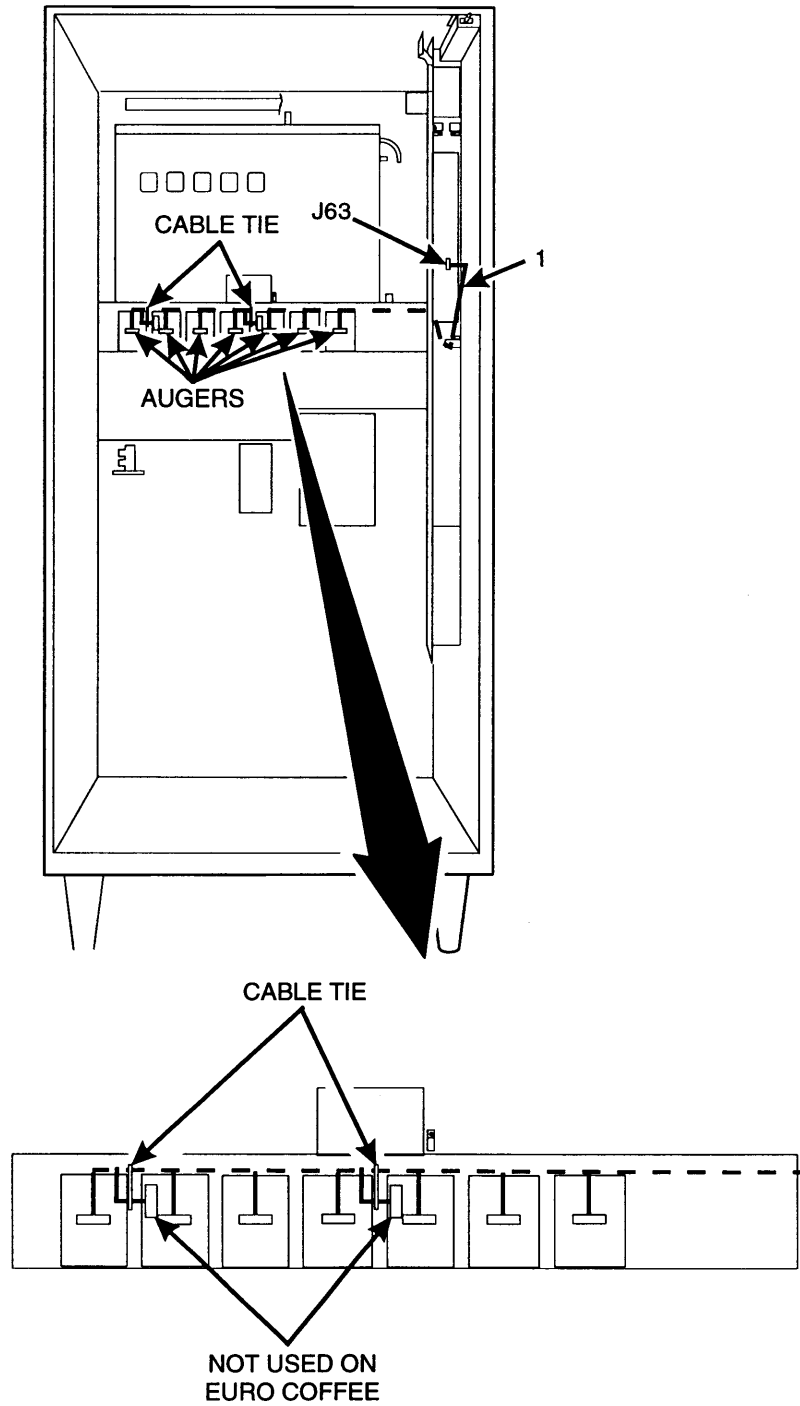


Figure 62. Harnesses and Connectors (Part 6 of 8)

TABLE 62. HARNESSES AND CONNECTORS (7 OF 8)

INDEX	PART NUMBER	DESCRIPTION	QTY.
1	6339007	JUMPER - CABINET SERVICE LIGHT	1

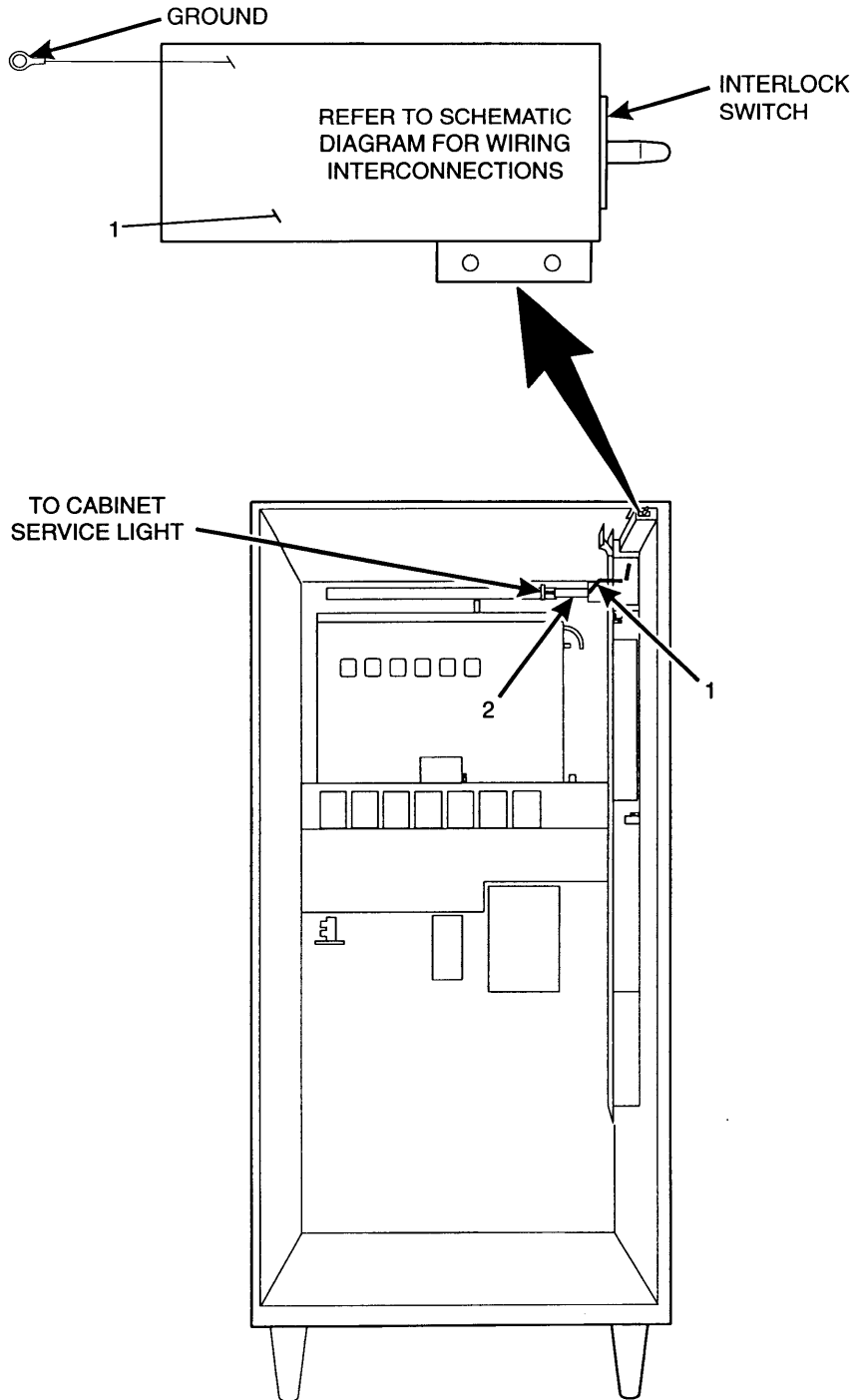


Figure 62. Harnesses and Connectors (Part 7 of 8)

TABLE 62. HARNESSES AND CONNECTORS (5 OF 8)

INDEX	PART NUMBER	DESCRIPTION	QTY.
1	6339005	HARNESS - DC - CABINET	1

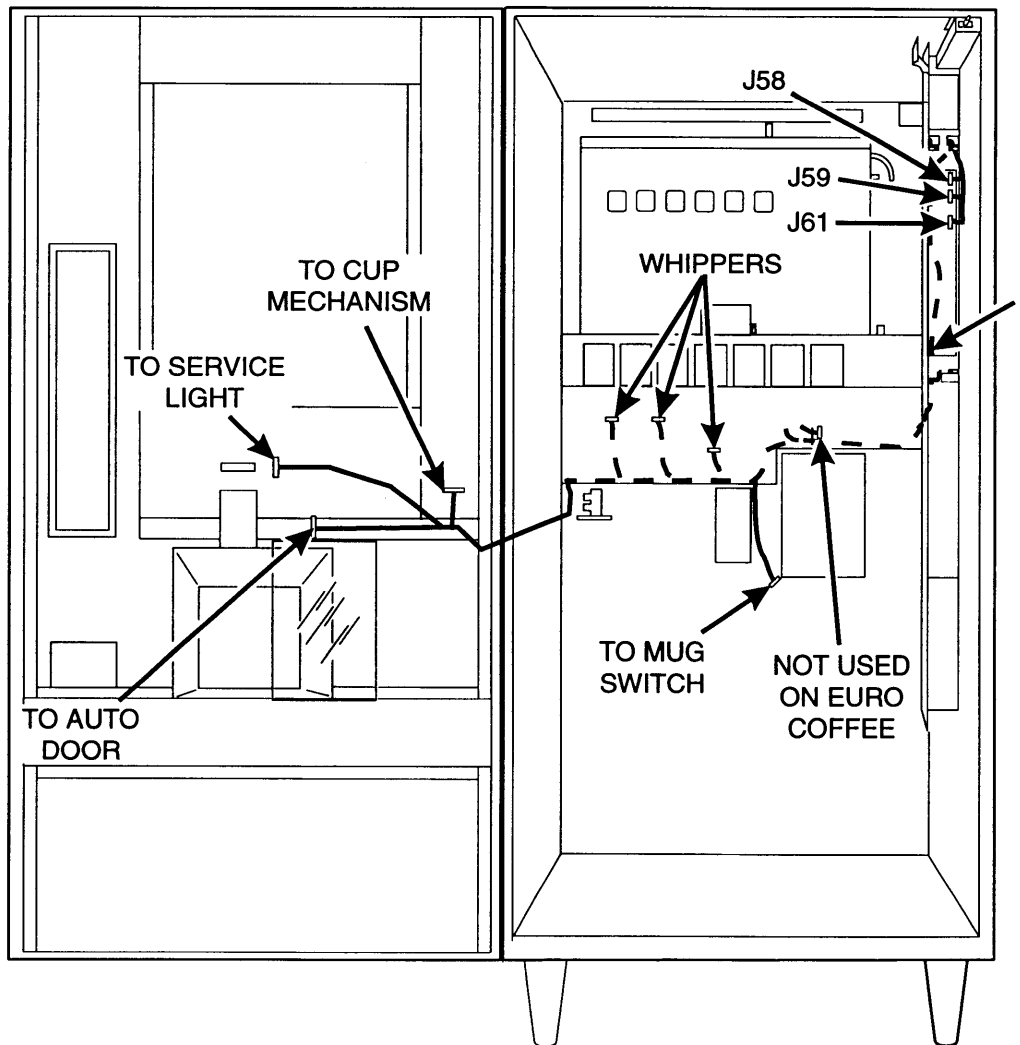


Figure 62. Harnesses and Connectors (Part 5 of 8)

TABLE 62. HARNESSES AND CONNECTORS (8 OF 8)

INDEX	PART NUMBER	DESCRIPTION	QTY.
1	1579008	CABLE RIBBON - 16 CONDUCTOR	1
2	1579009	JUMPER - MONETARY DOOR SWITCH	1
3	4305043	CABLE CLIP - SELF ADHESIVE - 1.00 IN WIDE	1
4	6339014	FLAT CABLE - DISPLAY TO CONTROLLER	1

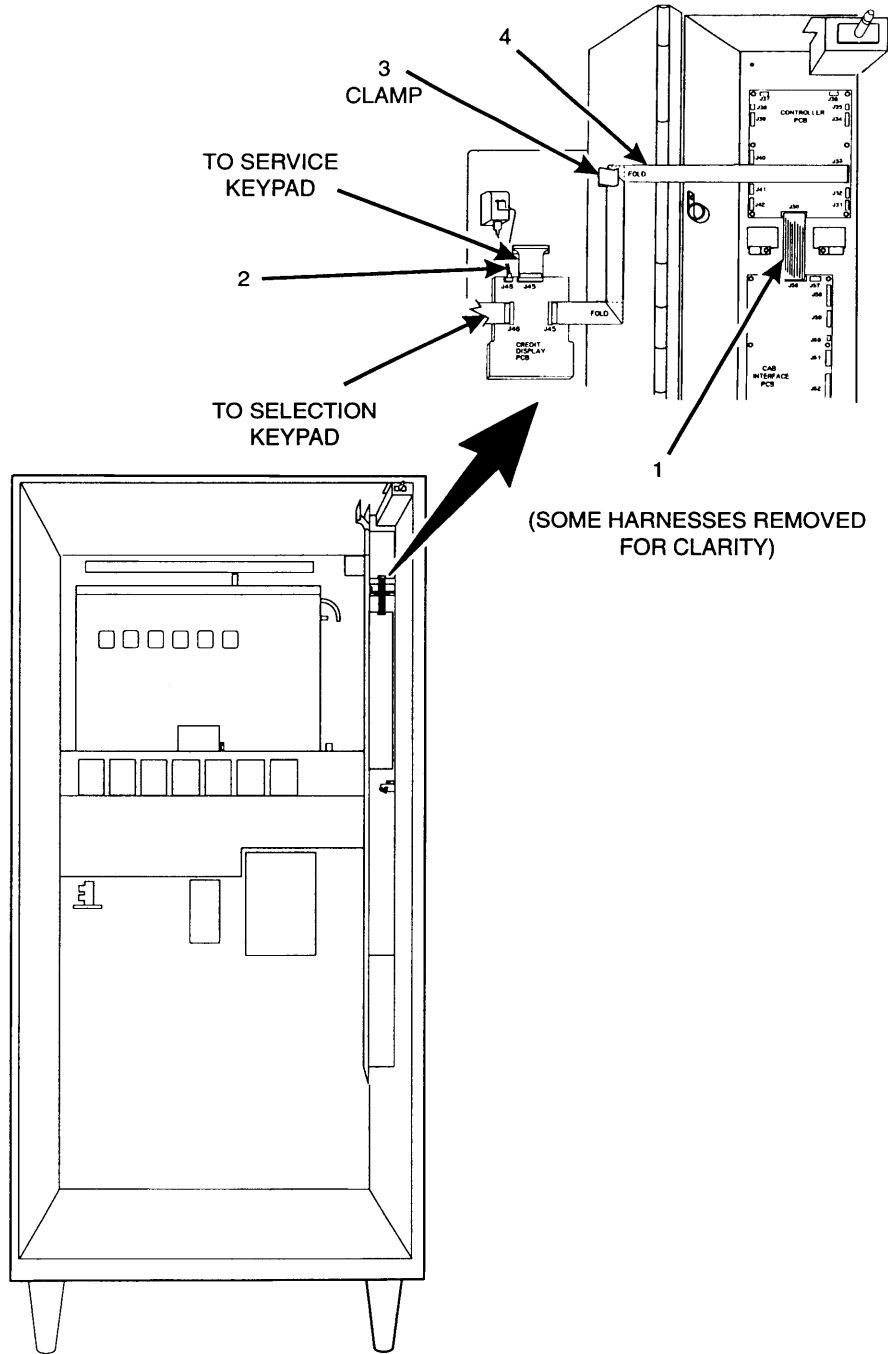


Figure 62. Harnesses and Connectors (Part 8 of 8)



PART NUMBER INDEX

Part Number	Page	Part Number	Page
1127808	89	1571038	109
1141043	103	1571040	107
1141054	17	1571064	107
1170206	53	1571067	109
1172021	31, 79	1571072	111
1172190	11	1571073	89
1172191	11	1571074	103
1211105	101	1571079	89
1211112	31	1571081	89
1211161	55	1571082	111
1217159	39	1571084	99, 109
1217160	39	1572010	8
1217161	11	1572011	8
1302289	11	1572013	91
1302290	11	1575003	89
1302291	11	1575007	87
1302324	11	1575008	91
1302326	11	1575009	93
1401110	87	1575029	87
1411194	29	1575031	87, 89
1411195	29	1575044	91
1437204	45	1575047	3, 89
1451093	31	1579001	117
1451097	4, 17, 19, 37, 38, 45, 49, 51, 53, 77, 79, 103, 113	1579003	118
1452076	53	1579004	97, 118
1452139	17, 53, 79, 113, 115	1579005	97, 118
1457027	17	1579006	97, 118
1470761	33	1579007	118
1471098	31	1579008	99, 123
1471236	31	1579009	123
1471237	31	1579010	119
1471283	31	1579011	119
1472178	9	1579013	107
1472222	91	1579014	109
1472223	91	1579015	111
1472250	9	1579016	109
1472251	93	1579017	107
1475026	89	1579020	111
1475053	97	1581023	29
1475072	89	1581040	3, 4, 5, 7, 23, 29, 33, 79
1475099	89	1582001	4
1475107	97	2204093	89
1477112	17	2222096	53, 55
1571021	103	2223680	37
1571022	103	2272036	53
1571029	33	2272052	11
1571032	99	2301057	21
1571033	99	2302053	8
1571034	99	2302223	71, 73
1571035	107	2304108	39
		2342216	99



Part Number	Page	Part Number	Page
2346016	53	4733035	17
2346017	53	4751060	113
2470715	97	4841012	99, 107
2470716	97	5307321	97
2470721	97	5900096	97
2470722	97	5900097	97
2470723	97	5900112	97
3102447	71	5900116	97
3103133	35	5900182	97
3106154	53	6114121	18
3107171	53	6117010	38
3108048	51	6118071	47
3112163	11	6118106	81
3112164	11	6131066	13
3116127	39	6137157	41
3121150	39	6138094	83
3122056	87	6138181	15
3142138	101	6151131	39
3143005	17, 18	6158063	83
3143006	18	6201025	33
3143007	18	6230035	37
3143008	18	6231033	103
3143009	18	6231034	31
3143010	18	6231035	113
3143011	18	6231036	79
3143013	18	6231037	89
3143015	18	6231074	45
3143016	18	6231126	38
3143017	18	6231138	103
3143129	18	6231142	103
3143130	18	6231143	103
3151058	53	6231153	38
3152391	97	6231157	31
3152444	97	6231163	31
3157060	55	6231164	101
3157068	53	6231169	41
3158023	47	6231187	27
3158061	47, 49, 51	6231188	79
3502097	45	6231189	79, 99
4041102	38	6231198	37, 38
4041241	17, 21	6231203	31
4047054	39	6231209	27
4242145	101	6231223	37, 39
4245082	8	6231242	25, 33
4245083	8	6231372	53
4245084	8	6231430	35
4247204	38	6231431	35
4302166	113	6231432	35
4305043	113, 123	6231438	35
4711020	38	6231439	35
4732024	113, 115	6231443	35



Part Number	Page	Part Number	Page
6400002	97	9900113	17
6400003	97	9900115	15
6400804	97	9900118	37, 55
6400805	97	9900121	11
6401088	45	9900157	77
6401090	45	9900164	103
6404034	17	9900415	59, 61, 63, 65, 67, 69
6408003	47, 49, 51	9983778	99
6408006	49	9984165	53, 55, 107, 109, 111, 119
6408011	49	9984622	107
6408025	47	9984624	111
6408026	47	9984625	93
6408113	49	9984627	109
6408114	49	9989034	111
6408115	49	9989042	107, 109
6408117	47, 49	9989100	107, 109, 111
6408119	47, 49, 51	9989369	107, 109, 111
6408134	47	9989639	91
6408153	79	9989655	99
6408155	79	9989657	89
7207027	49	9989659	107
9900012	37	9989672	107
9900033	53	9989674	107, 109, 111
9900034	17	9989676	45
9900081	4, 15, 37, 53, 55, 79,	9992400	11
.....	81, 107, 109, 111	G6262033	23
9900098	29	G6262034	23



Part Number	Page	Part Number	Page
6231488	35	6233092	15
6231489	35	6233093	15
6231492	35	6233095	15
6231495	35	6233102	13, 15
6231501	51	6233104	17
6231503	51	6233105	17
6231507	39	6233106	17
6231510	103	6233107	17
6231515	97	6233108	15
6231533	71	6233109	15
6231548	45	6234516	103
6231550	45	6237008	67
6231553	45	6237014	59, 61, 63, 65, 67, 69
6231554	53	6237019	59, 61
6231555	45	6237023	59, 61, 63, 65, 67, 69
6231559	55	6237026	59, 61, 63, 65, 67, 69
6232028	101	6237046	59, 61, 63
6232031	101	6237053	59, 61, 63, 67, 69
6232208	101	6237057	77
6232287	41	6237063	67, 69
6232290	99	6237074	77
6232291	99	6237077	77
6232305	53, 55	6237080	59, 61, 65
6233001	17	6237083	27
6233007	13	6237086	27
6233009	19	6237106	63
6233010	17	6237108	59, 61
6233012	17	6237110	75
6233013	17	6237111	75
6233014	17	6237114	75
6233019	21	6237115	71, 73
6233021	17, 21	6237116	59, 61, 63, 65, 67, 69
6233028	17, 21	6237117	75
6233030	15	6237118	75
6233031	17, 19	6237119	75
6233032	19	6237125	73
6233037	21	6237127	73
6233038	21	6237128	73
6233039	17	6237144	105
6233040	19	6237164	85
6233048	15	6237165	77
6233056	17	6237167	59, 61, 63, 65, 67, 69
6233057	17, 21	6237170	71
6233058	17	6237172	77
6233061	15	6237173	71
6233062	17	6237174	71
6233065	17	6237176	63, 65, 67, 69
6233072	17	6237177	59, 61
6233074	17	6237178	59, 61, 65, 67, 69
6233077	13, 17	6237179	63
6233080	15	6237180	63



Part Number	Page	Part Number	Page
6237181	59, 61, 63, 65, 67, 69	6239009	55
6237185	71	6239052	55
6237186	71	6239053	55
6237188	77	6261420	35
6237192	75	6261421	35
6237193	75	6261480	33
6237194	75	6262046	101
6237195	73, 75	6262077	101
6237303	43	6263000	13
6237305	45	6263001	17
6237306	75	6263002	13
6237312	75	6263003	17
6237313	75	6263101	13
6237315	73	6267310	43
6237335	43	6267311	43
6237337	41	6269013	17
6237340	45	6330828	97
6237342	45	6331009	103
6237356	71	6331038	51
6237436	77	6331040	51
6237437	77	6336000	99
6237438	77	6338002	79
6237439	59	6338003	79
6237445	57, 65	6338007	79
6237446	57, 63, 71, 77, 83, 93, 99, 105, 111	6338008	79
6237447	57, 59	6338009	79
6237448	57, 61	6338010	79
6237449	57, 67	6338011	79
6237450	69	6338015	49
6237470	43	6339001	121
6238026	79	6339002	116
6238042	79	6339004	117
6238045	79	6339005	120
6238050	83	6339007	122
6238051	83	6339009	116
6238074	81	6339013	117
6238075	79	6339014	123
6238077	79	6339015	117
6238081	25	6340860	51
6238100	79	6340861	47
6238101	79	6340862	49
6238105	25	6340863	51
6238111	81	6340864	47
6238112	79, 81	6340865	49
6238113	81	6341001	25
6238115	81	6341007	103
6238116	79, 81	6342025	23
6238136	79	6342026	23
6238137	79	6342035	3
6238196	81	6348001	47, 49
		6348002	51