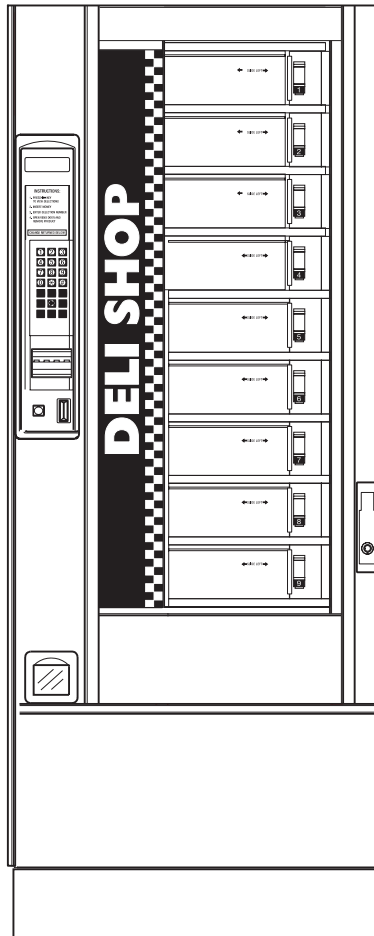


4360000

Model 436



Deli Shop



436P0024

Parts Manual

CRANE MERCHANDISING SYSTEMS™ A Crane Co. Company
CMS PARTS & SUPPORT

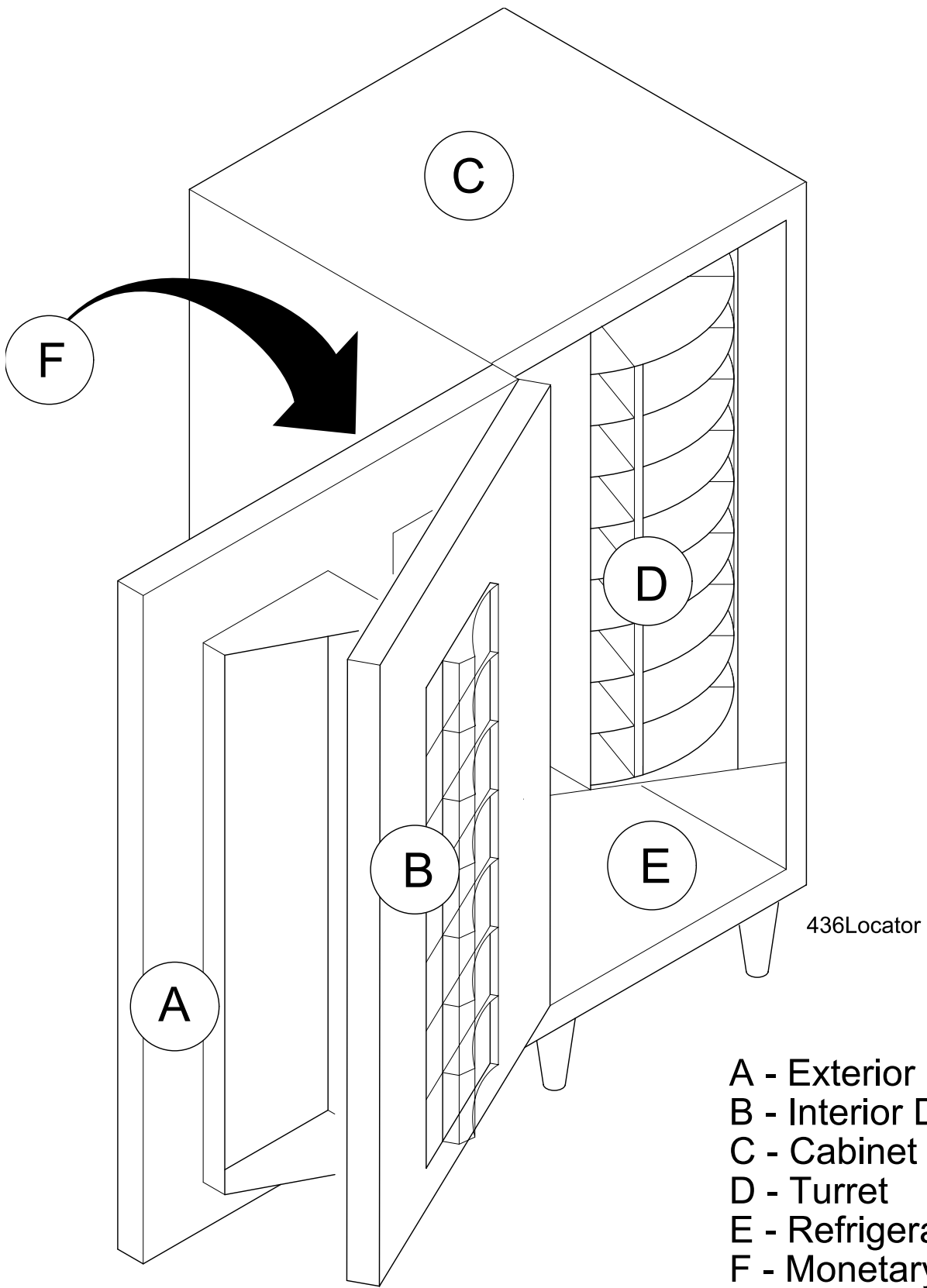
12955 Enterprise Way
Bridgeton, Missouri 63044-1200
(314) 298-3500
www.CraneMS.com

Copyright© 6-02



The Right Part, Right Now

4360000



- A - Exterior Door
- B - Interior Door
- C - Cabinet
- D - Turret
- E - Refrigeration
- F - Monetary

Crane Merchandising Systems Parts and Support:
Parts: 1-800-621-7278 Service: 1-800-628-8363

List of Figures

| Figure | Title | Page |
|---------------------------------------|--|-----------|
| Section A: Exterior Door | | 2 |
| 1 | Trim and Panels - Part 1 | 2 |
| 2 | Trim and Panels - Part 2 | 4 |
| 3 | Door Lock and Handle Assembly | 6 |
| 4 | Lock Bar Assembly | 8 |
| 5 | Shadow Box and Blower Assembly | 10 |
| 6 | Blower Assembly | 12 |
| Section B: Interior Door | | 14 |
| 7 | Inner Door Exterior | 14 |
| 8 | Inner Door Interior | 16 |
| 9 | Vend Door | 18 |
| 10 | Vend Door Solenoid Assembly | 20 |
| Section C: Cabinet | | 22 |
| 11 | Major Cabinet Assemblies | 22 |
| 12 | Switch and Mounting Bracket Assembly | 24 |
| 13 | Inner Panels | 26 |
| 14 | Return Air Light Assembly | 28 |
| 15 | Power Panel Assembly | 30 |
| 16 | Base Plate Accessory and Miscellaneous Cabinet Parts | 32 |
| 17 | Upper Hinge Assembly | 34 |
| 18 | Leg Assemblies | 36 |
| 19 | Duct Support Assemblies | 38 |
| 20 | Cabinet Components - Rear..... | 40 |
| Section D: Turret | | 42 |
| 21 | Turret Assembly | 42 |
| 22 | Tray Half Assembly | 44 |
| 23 | Turret Motor Assembly | 46 |
| Section E: Refrigeration | | 48 |
| 24 | Refrigeration - Part 1 | 48 |
| 25 | Refrigeration - Part 2 | 50 |
| 26 | Refrigeration - Part 3 | 52 |
| 27 | Insulation | 54 |
| 28 | Refrigeration - Part 4 | 56 |
| 29 | Refrigeration - Part 5 | 58 |
| 30 | Refrigeration - Part 6 | 60 |
| 31 | Refrigeration - Part 7 | 62 |
| Section F: Monetary | | 64 |
| 32 | Monetary - Part 1 | 64 |
| 33 | Monetary - Part 2 | 66 |
| 34 | Monetary - Part 3 | 68 |
| 37 | Money Box Assembly | 72 |
| Section G: Miscellaneous | | 74 |
| 38 | Wiring Harnesses..... | 74 |

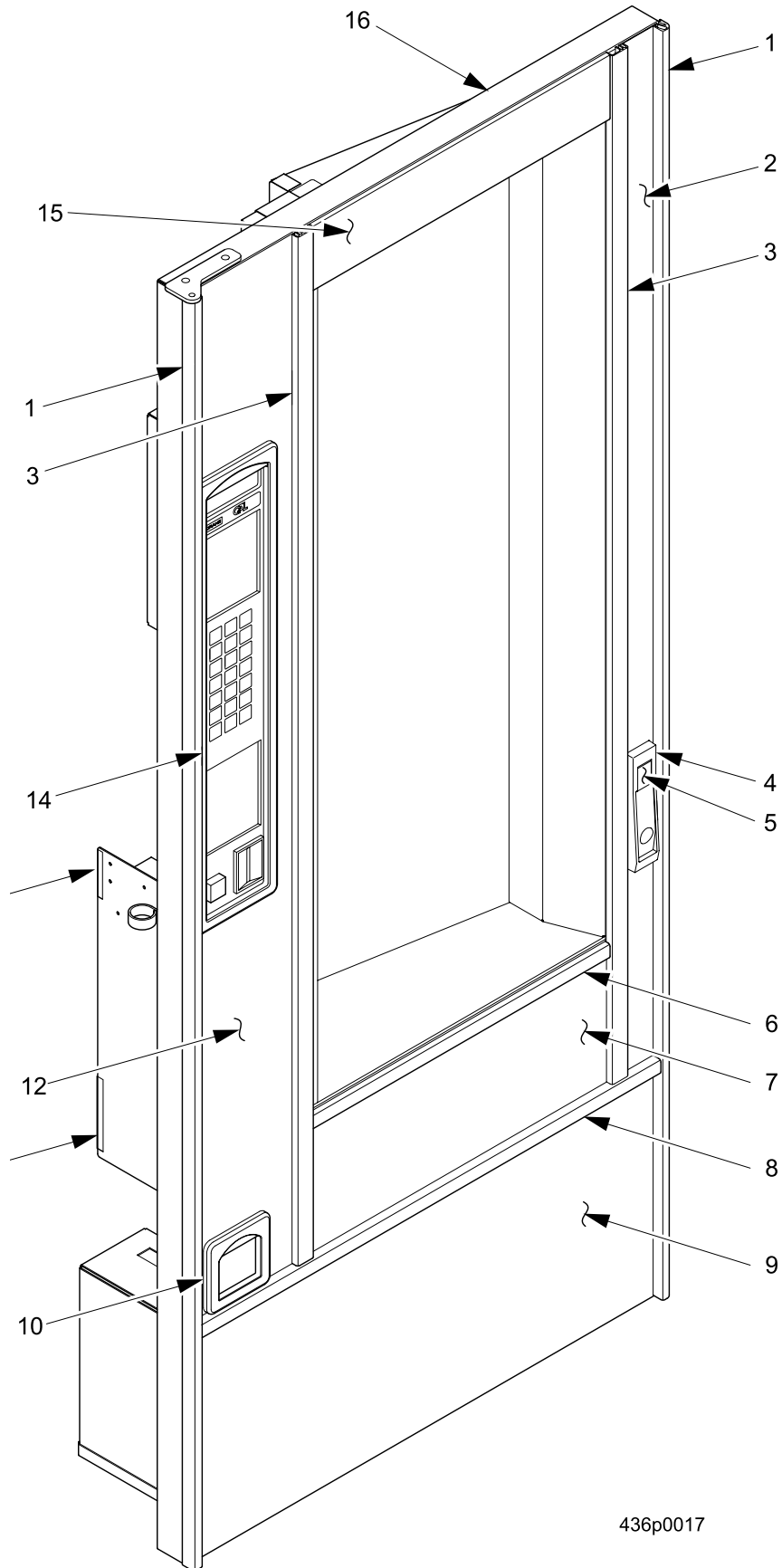
NOTES

List of Tables

| Table | Title | Page |
|---------------------------------|--|-----------|
| Section A: Exterior Door | | 2 |
| 1 | Trim and Panels - Part 1 | 3 |
| 2 | Trim and Panels - Part 2 | 5 |
| 3 | Door Lock and Handle Assembly | 7 |
| 4 | Lock Bar Assembly | 9 |
| 5 | Shadow Box and Blower Assembly | 11 |
| 6 | Blower Assembly | 13 |
| Section B: Interior Door | | 14 |
| 7 | Inner Door Exterior | 15 |
| 8 | Inner Door Interior | 17 |
| 9 | Vend Door | 19 |
| 10 | Vend Door Solenoid Assembly | 21 |
| Section C: Cabinet | | 22 |
| 11 | Major Cabinet Assemblies | 23 |
| 12 | Switch and Mounting Bracket Assembly | 25 |
| 13 | Inner Panels | 27 |
| 14 | Return Air Light Assembly | 29 |
| 15 | Power Panel Assembly | 31 |
| 16 | Base Plate Accessory and Miscellaneous Cabinet Parts | 33 |
| 17 | Upper Hinge Assembly | 35 |
| 18 | Leg Assemblies | 37 |
| 19 | Duct Support Assemblies | 39 |
| 20 | Cabinet Components - Rear | 41 |
| Section D: Turret | | 42 |
| 21 | Turret Assembly | 43 |
| 22 | Tray Half Assembly | 45 |
| 23 | Turret Motor Assembly | 47 |
| Section E: Refrigeration | | 48 |
| 24 | Refrigeration - Part 1 | 49 |
| 25 | Refrigeration - Part 2 | 51 |
| 26 | Refrigeration - Part 3 | 53 |
| 27 | Insulation | 55 |
| 28 | Refrigeration - Part 4 | 57 |
| 29 | Refrigeration - Part 5 | 59 |
| 30 | Refrigeration - Part 6 | 61 |
| 31 | Refrigeration - Part 7 | 63 |
| Section F: Monetary | | 64 |
| 32 | Monetary - Part 1 | 65 |
| 33 | Monetary - Part 2 | 67 |
| 34 | Monetary - Part 3 | 69 |
| 35 | Coin Unit Options | 70 |
| 36 | Bill Validator Options | 71 |

| Table | Title | Page |
|---------------------------------|----------------------------|-----------|
| 37 | Money Box Assembly | 73 |
| Section G: Miscellaneous | | 74 |
| 38 | Wiring Harnesses | 75 |
| 40 | Bag Assembly - U.K. | 76 |
| 41 | Bag Assembly - Mexico | 76 |
| 39 | Bag Assembly - U.S./canada | 76 |

NOTES



436p0017

Figure 1. Trim and Panels - Part 1

TABLE 1. TRIM AND PANELS - PART 1

| INDEX | PART NUMBER | DESCRIPTION | QTY |
|-------|-------------|---|-----|
| 1 | 1592032 | TRIM - DOOR - SIDE - CLEAR (CLEAR TRIM) | 2 |
| | 1592069 | TRIM - DOOR - SIDE - BLACK (BLACK TRIM) | |
| 2 | 4362017 | PANEL - RH TRIM - FLAT" T"BLACK | 1 |
| 3 | 1592031 | TRIM - DOOR - INSIDE - CLEAR | 2 |
| | 1592068 | TRIM - DOOR - INSIDE - BLACK | |
| 4 | 1172190 | LEVER - LOCK | 1 |
| 5 | 1172191 | BASE - LEVER - LOCK | 1 |
| 6 | 4362023 | TRIM - DOOR - HORIZONTAL - CLEAR | 1 |
| | 4362031 | TRIM - DOOR - HORIZONTAL - BLACK | |
| 7 | 4362021 | PANEL - LOWER - MIDDLE - FLAT" T"BLK | 1 |
| 8 | 4272040 | TRIM - DOOR - HORIZONTAL - CLEAR | 1 |
| | 4272069 | TRIM - DOOR - HORIZ - BLACK | |
| 9 | 4272046 | PANEL - LOWER - HORZ. - FLAT T BLACK | 1 |
| 10 | 1572011 | TRIM - COIN CUP - BLACK | 1 |
| 11 | 4272060 | PRODUCT GUIDE EDGE TRIM | 4" |
| 12 | 4362015 | PANEL - LH TRIM - FLAT" T"BLACK | 1 |
| | 4362016 | PANEL - LH TRIM | |
| 13 | 4272060 | PRODUCT GUIDE EDGE TRIM | 2" |
| 14 | 1575106 | CASTING - MONETARY FRAME - BLACK | 1 |
| 15 | 4362019 | TRIM - HORIZ - DOOR - FLAT" T"BL | 1 |
| 16 | 4362032 | DOOR ASSEMBLY - COMMON | 1 |

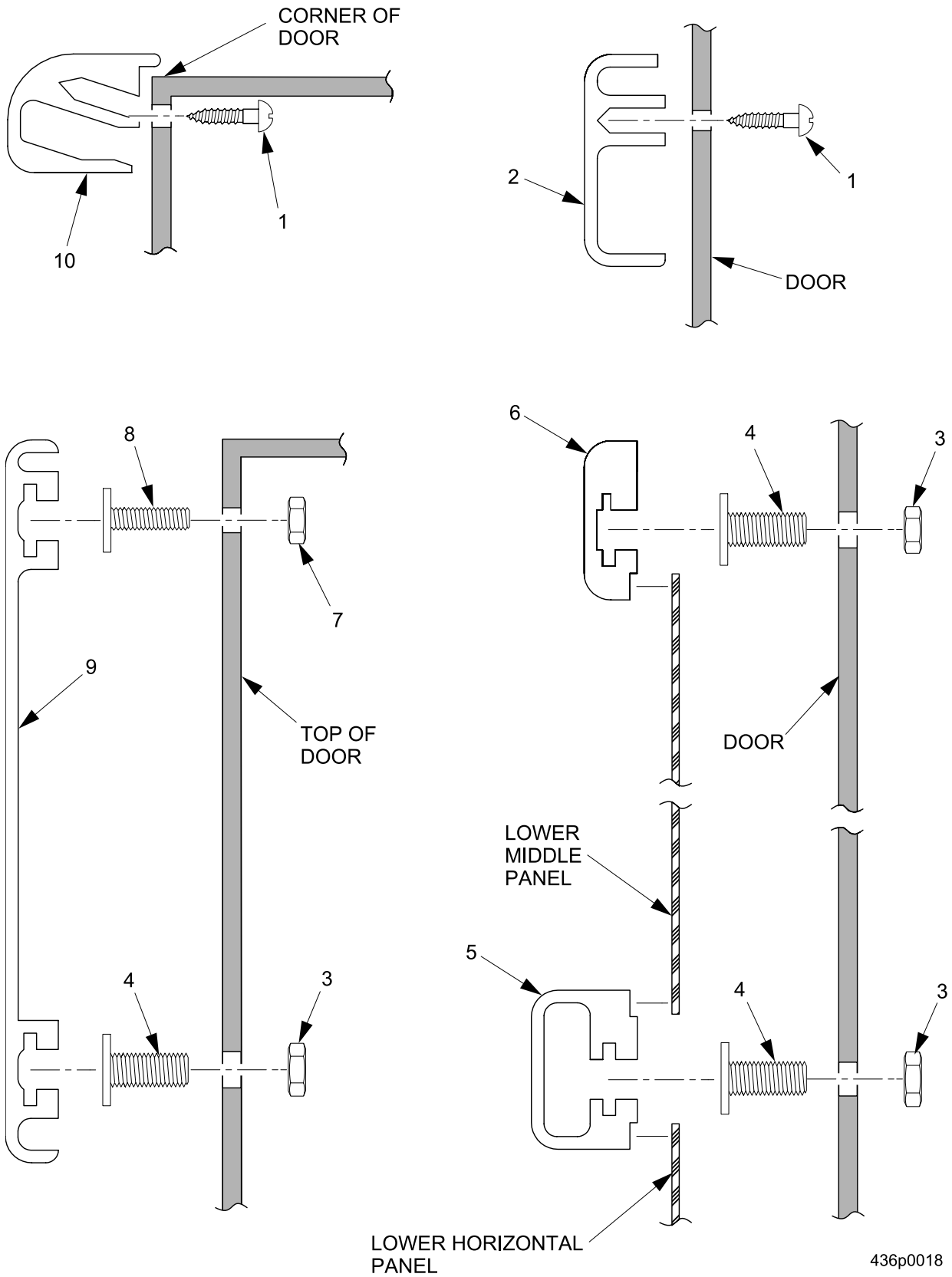


Figure 2. Trim and Panels - Part 2

TABLE 2. TRIM AND PANELS - PART 2

| INDEX | PART NUMBER | DESCRIPTION | QTY |
|-------|-------------|----------------------------------|-----|
| 1 | G1472028 | SCREW - #6 X .38 SHEET METAL | 40 |
| 2 | 1592031 | TRIM - DOOR - INSIDE - CLEAR | 2 |
| | 1592068 | TRIM - DOOR - INSIDE - BLACK | |
| 3 | 9900081 | NUT #8 - 32 KEPS ZINC PLATE | - |
| 4 | 2222110 | T BOLT - TRIM | 15 |
| 5 | 4272040 | TRIM - DOOR - HORIZONTAL - CLEAR | 1 |
| | 4272069 | TRIM - DOOR - HORIZ - BLACK | |
| 6 | 4362023 | TRIM - DOOR - HORIZONTAL - CLEAR | 2 |
| | 4362031 | TRIM - DOOR - HORIZONTAL - BLACK | |
| 7 | 9900078 | NUT #6 - 32 KEPS ZINC PLATE | - |
| 8 | 1572060 | TEE BOLT - TRIM - #6 - 32 X 3/8 | 4 |
| 9 | 4362019 | TRIM - HORIZ - DOOR - FLAT" T"BL | 1 |
| 10 | 1592032 | TRIM - DOOR - SIDE - CLEAR | 2 |
| | 1592069 | TRIM - DOOR - SIDE - BLACK | |

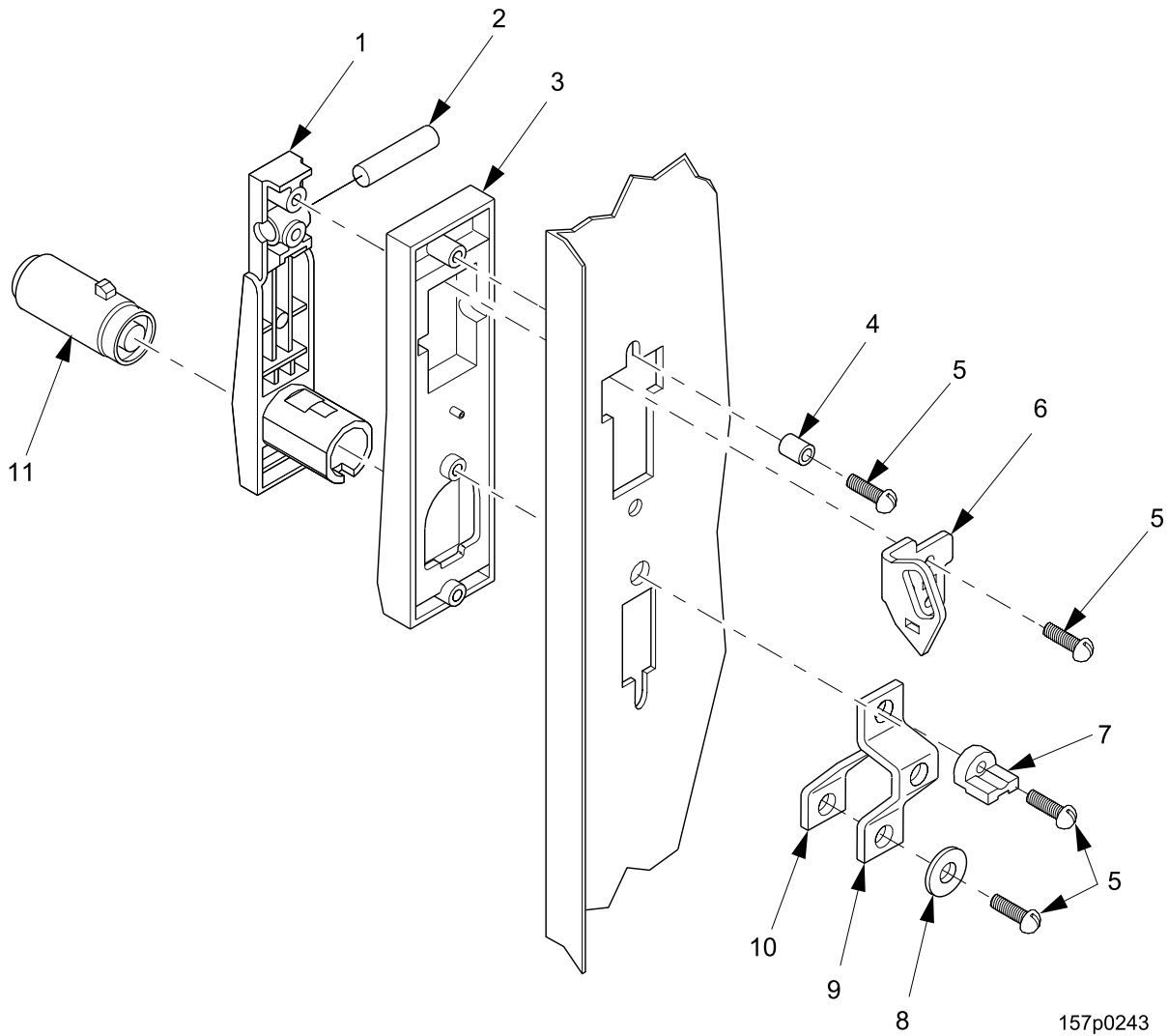


Figure 3. Door Lock and Handle Assembly

TABLE 3. DOOR LOCK AND HANDLE ASSEMBLY

| INDEX | PART NUMBER | DESCRIPTION | QTY |
|--------------|--------------------|--------------------------------------|------------|
| 1 | 1172190 | LEVER - LOCK | 1 |
| 2 | 1302291 | PIVOT - LEVER LOCK | 1 |
| 3 | 1172191 | BASE - LEVER LOCK | 1 |
| 4 | 1302289 | CUP SPACER | 1 |
| 5 | 9900160 | SCREW - #8 - 18 X 1/2" PHIL. PAN HD. | 5 |
| 6 | 2272052 | ACTUATOR ASSEMBLY - LOCK BAR | 1 |
| 7 | 1302326 | SHIELD - LATCH | 1 |
| 8 | 9900121 | WASHER - STEEL - 7/16 X .203 X .032 | 1 |
| 9 | 1302324 | CATCH - DOOR LATCH | 1 |
| 10 | 1302290 | LATCH - LOCK LOWER | 1 |
| 11 | 9992400 | CYLINDER - LOCK | OPT. |
| | 3112163 | VAN LOCK | |
| - | 3112164 | KEY (NOT SHOWN) | OPT. |
| | | VAN LOCK APPLICATION (NOT SHOWN) | |

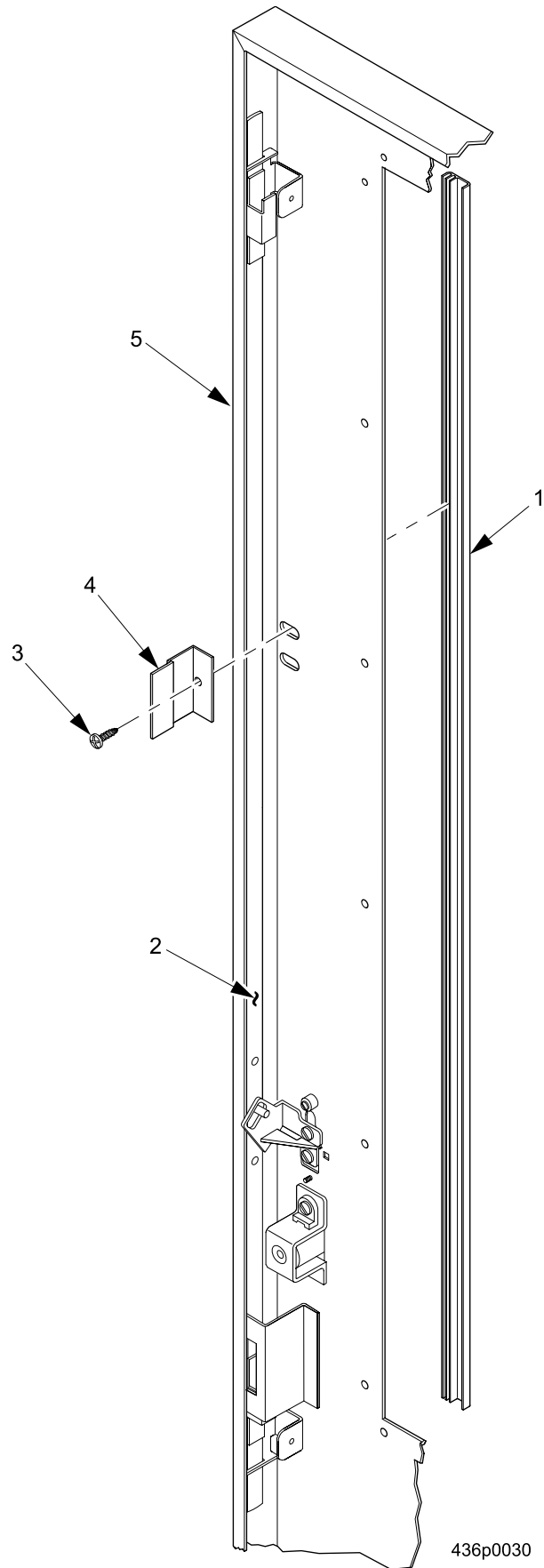
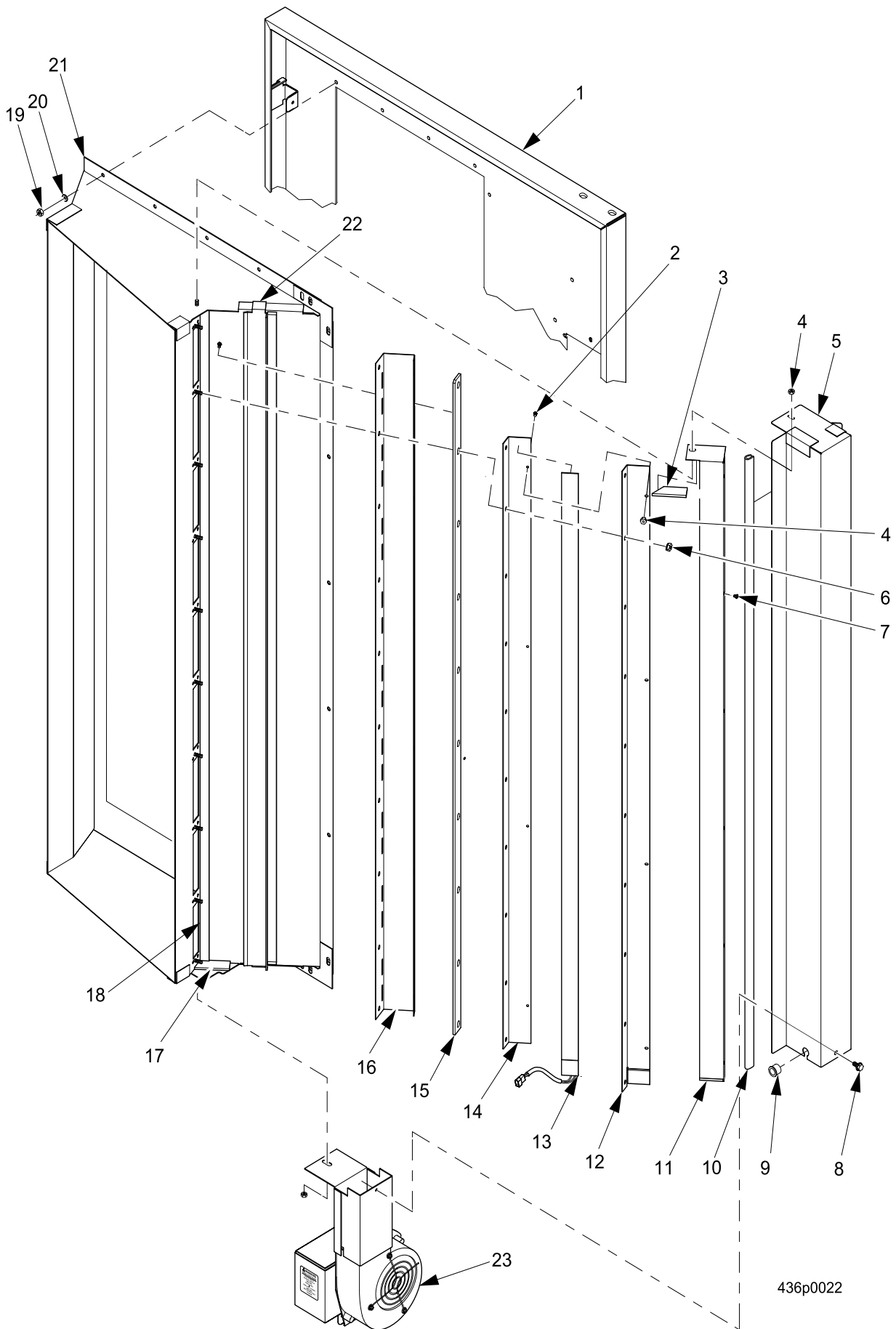


Figure 4. Lock Bar Assembly

TABLE 4. LOCK BAR ASSEMBLY

| INDEX | PART NUMBER | DESCRIPTION | QTY |
|-------|-------------|--------------------------------|-----|
| 1 | 1592032 | TRIM - DOOR - SIDE - CLEAR | 2 |
| | 1592069 | TRIM - DOOR - SIDE - BLACK | |
| 2 | 1472178 | LOCK BAR ASSEMBLY | 1 |
| 3 | G1472028 | SCREW - SHEET METAL - #6 X .38 | - |
| 4 | 1472250 | GUIDE - LOCK BAR | 1 |
| 5 | 4362032 | DOOR ASSEMBLY - COMMON | 1 |



436p0022

Figure 5. Shadow Box and Blower Assembly

TABLE 5. SHADOW BOX AND BLOWER ASSEMBLY

| INDEX | PART NUMBER | DESCRIPTION | QTY |
|-------|-------------|---------------------------------|-----|
| 1 | 4362032 | DOOR ASSEMBLY-COMMON | REF |
| 2 | 1212140 | SCREW - #4 - 40 X 1/4 RHS | 4 |
| 3 | 4362059 | SPACER - TAPE - TOP | 1 |
| 4 | 1217159 | 4-40 KEPS W/EXT L/WAS H ZP | - |
| 5 | 4362049 | CHANNEL ASSY - WARM AIR | 1 |
| 6 | 9900081 | NUT #8-32 KEPS ZINC PLATE | 4 |
| 7 | 9900130 | SCREW #6 - 32 X 1/4 PHS S/T | - |
| 8 | 1141046 | SCREW - #10 - 32X3/8 HEX W/H | - |
| 9 | 3502097 | BUSHING #OCB - 500 | 1 |
| 10 | 4272060 | PRODUCT GUIDE EDGE TRIM | 3' |
| 11 | 4362057 | COVER - HEATER ASSY | 1 |
| 12 | 4362051 | CLAMP - HEATER | 1 |
| 13 | 4272053 | HEATER - 230V - 125W | 1 |
| | 4272052 | HEATER - 115 V - 125 W | |
| 14 | 4362052 | MOUNT - HEATER | 1 |
| 15 | 4362060 | SPACER - TAPE - MOUNTING | 1 |
| 16 | 4362053 | PLATE - VENT OPENING | 1 |
| 17 | 4362058 | SPACER - TAPE - BOTTOM | 1 |
| 18 | 4311211 | GASKET-FOAM-1/8 X 1/2 | A/R |
| 19 | 9900081 | NUT #8-32 KEPS ZINC PLATE | - |
| 20 | 9900035 | WASHER - STL 7/16 X 3/16 X 3/64 | - |
| 21 | 4362006 | WELD ASSY - SHADOW BOX | 1 |
| 22 | 4362013 | RETAINER - COVER | 1 |
| 23 | - | BLOWER ASSEMBLY (SEE FIGURE 6) | 1 |

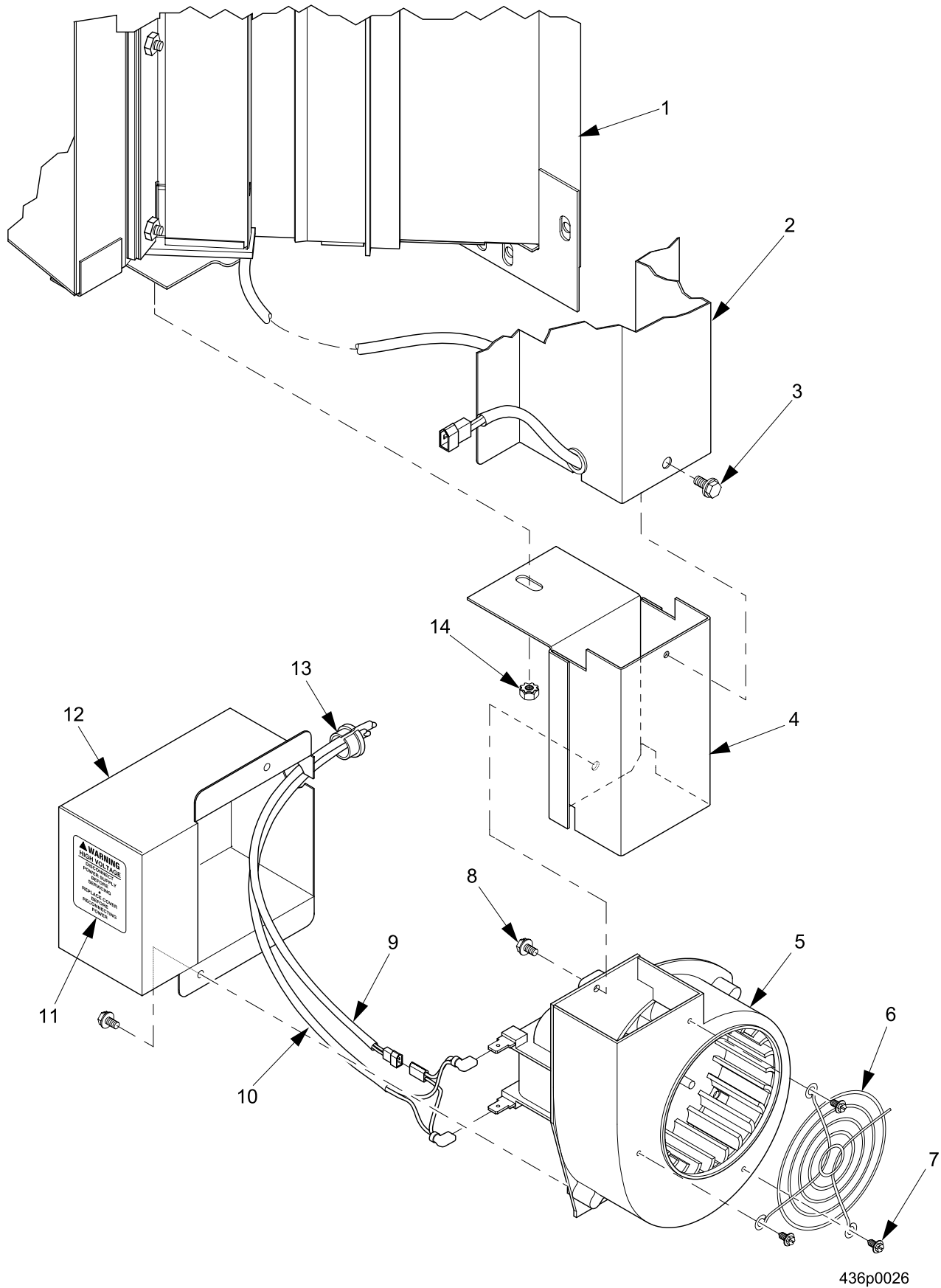
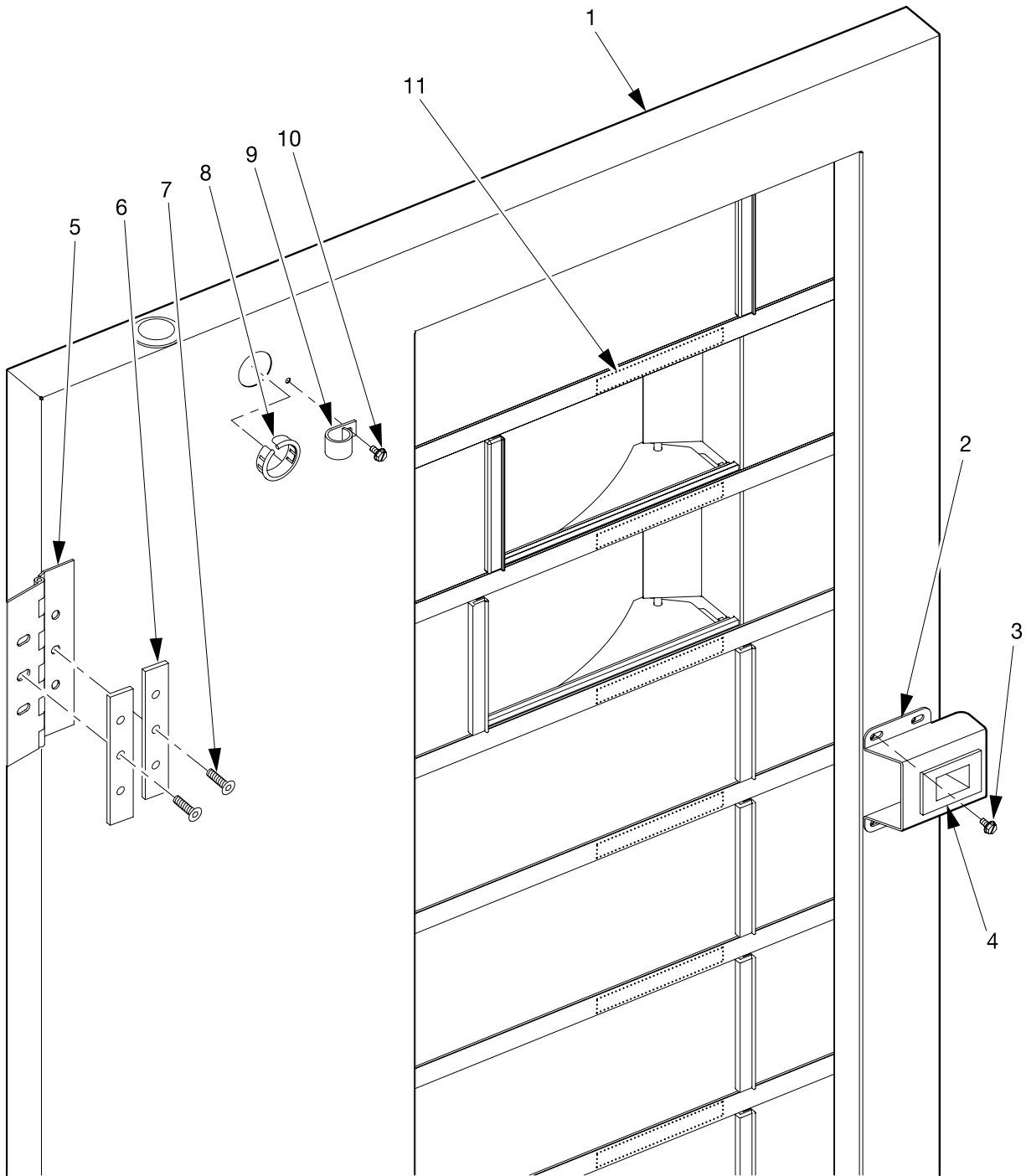


Figure 6. Blower Assembly

TABLE 6. BLOWER ASSEMBLY

| INDEX | PART NUMBER | DESCRIPTION | QTY |
|-------|-------------|------------------------------------|-----|
| -- | 4362054 | BLOWER & MOUNTING ASSEMBLY (115 V) | 1 |
| | 4362061 | BLOWER & MOUNTING ASSEMBLY - 230V | |
| 1 | 4362071 | WELD ASSEMBLY - SHADOW BOX | 1 |
| 2 | 4362049 | CHANNEL ASSEMBLY - WARM AIR | 1 |
| 3 | 1141046 | SCREW - #10 - 32X3/8 ACORN HEX W/H | 1 |
| 4 | 4362055 | MOUNTING ASSEMBLY - BLOWER | 1 |
| 5 | 4312210 | BLOWER ASSEMBLY - 120V | 1 |
| | 4312211 | BLOWER ASSEMBLY - 230V | |
| 6 | 4272002 | GUARD - BLOWER FAN | 1 |
| 7 | 4721035 | SCREW - #8 - 18 X .38 - LGM | 3 |
| 8 | 1451097 | SCREW - #8 - 32X.31 HEX HD.TF-BL | 1 |
| 9 | 4279033 | HARNESS - AC POWER & PANEL | 1 |
| 10 | 4369004 | HARNESS - POWER & RELAYS TO PCB | 1 |
| 11 | 6231189 | LABEL - WARNING - HIGH VOLTAGE | 1 |
| 12 | 4271098 | COVER - MOTOR | 1 |
| 13 | 3502097 | BUSHING #OCB-500 | 1 |
| 14 | 9900081 | NUT #8 - 32 KEPS ZINC PLATE | 1 |



436p0028

Figure 7. Inner Door Exterior

TABLE 7. INNER DOOR EXTERIOR

| INDEX | PART NUMBER | DESCRIPTION | QTY |
|-------|-------------|--|-----|
| 1 | 4293001 | INNER DOOR ASSY - FOAMED | 1 |
| 2 | 4363028 | BRACKET - LATCH MOUNTING | 1 |
| 3 | 1451097 | SCREW - #8 - 32X.31 HEX HD.TF - BLK. | - |
| 4 | 4273039 | LATCH - COLD FOOD DOOR | 1 |
| 5 | 4361001 | HINGE - DOOR - INNER | 2 |
| 6 | 4361002 | STIFFENER - HINGE | 4 |
| 7 | 4273093 | SCREW FLT HD #10 - 32 X 1/2 | 6 |
| 8 | 4271057 | BUSHING - 1.0" - OPEN/CLOSED | 2 |
| 9 | 4732024 | RETAINER - HARNESS | 1 |
| 10 | 3157060 | SCREW - #8-32 X .31 HEX W/ HD. SLOTTED-T/F-ZINC PL | - |
| 11 | 4270025 | LABEL - LOCATE FOOD HERE | 1 |

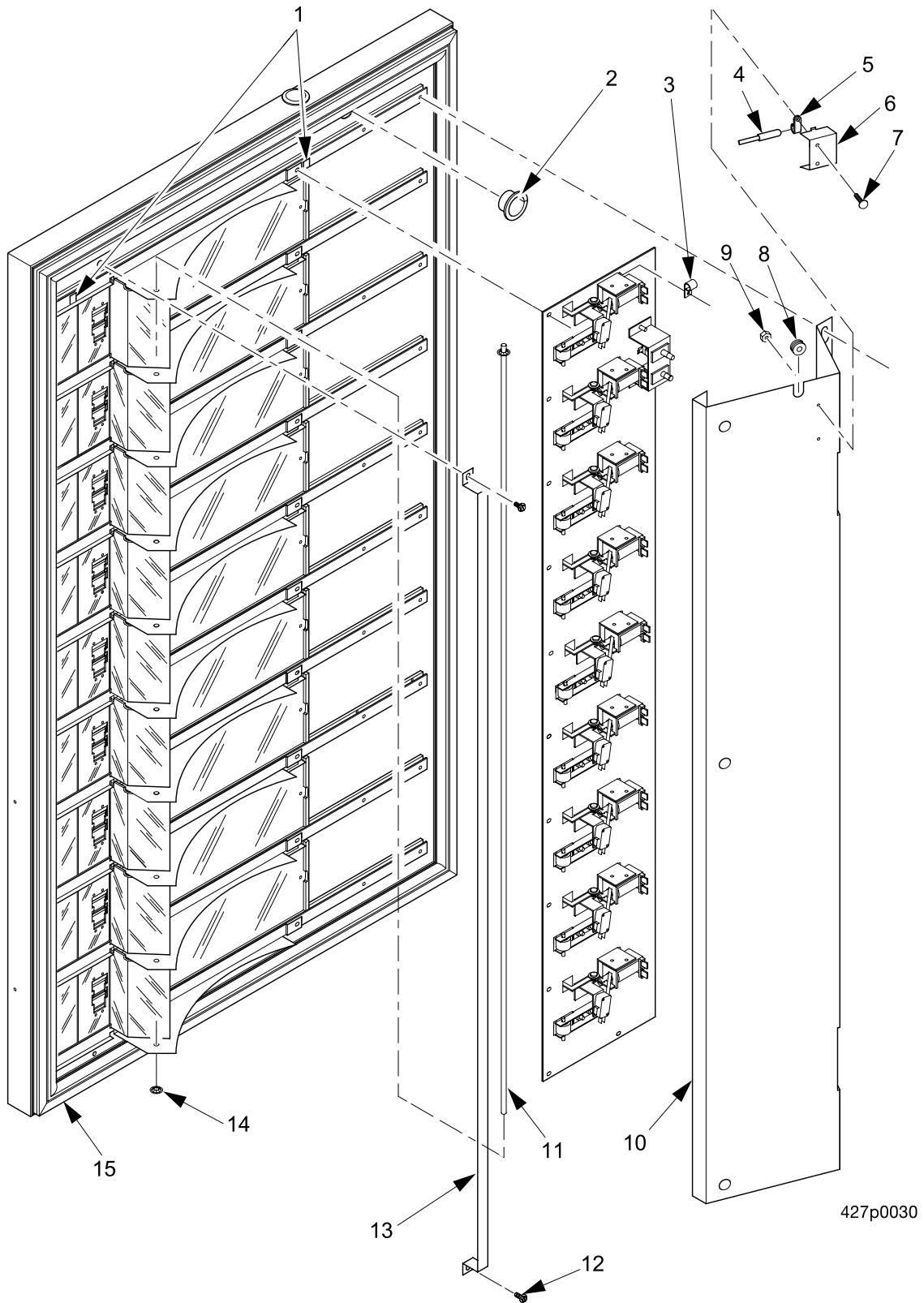
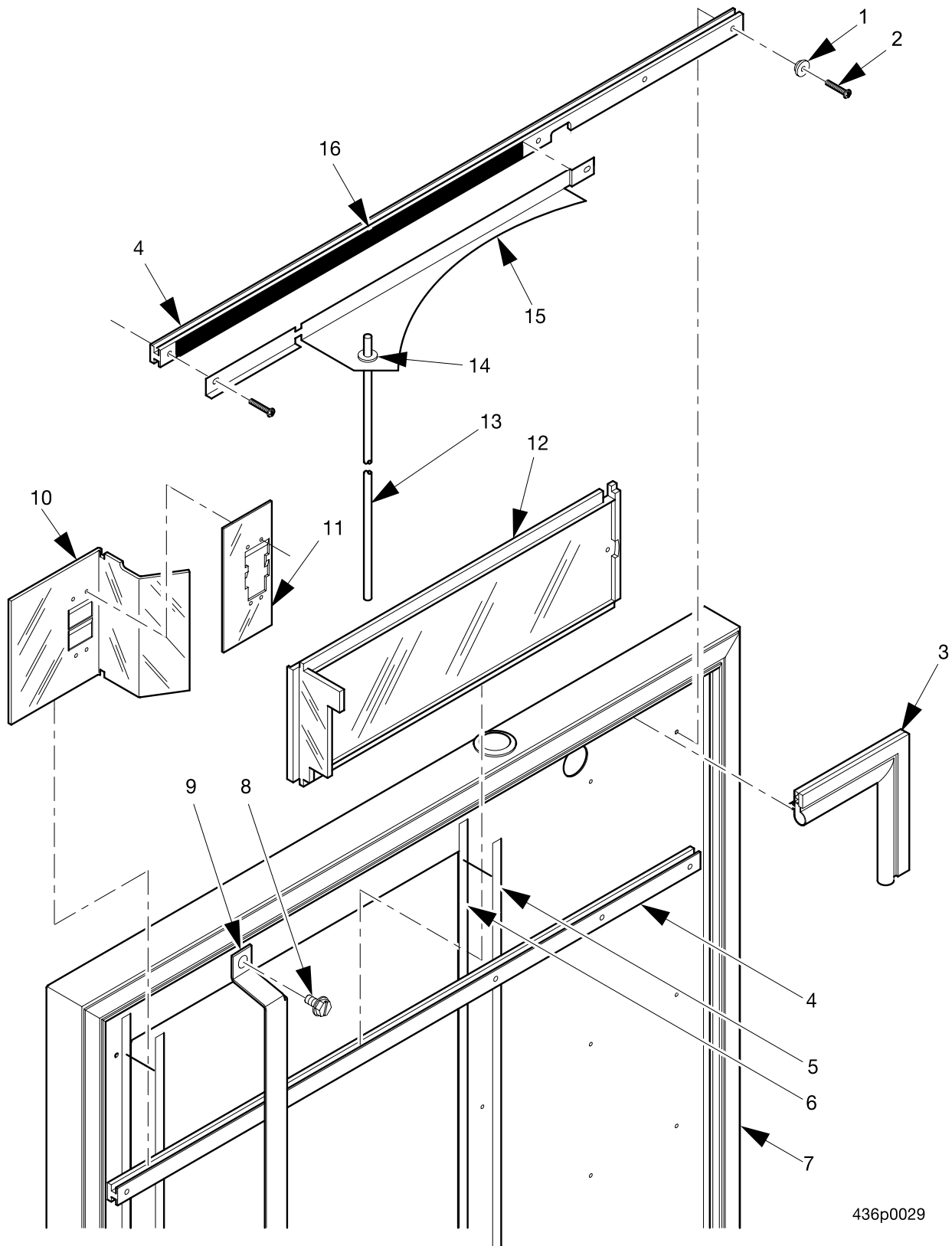


Figure 8. Inner Door Interior

TABLE 8. INNER DOOR INTERIOR

| INDEX | PART NUMBER | DESCRIPTION | QTY |
|-------|-------------|--------------------------------------|-------|
| 1 | 4312124 | TAPE FLOCKED - .25" WIDE | 88.0" |
| 2 | 4271057 | BUSHING - 1.0" - OPEN/CLOSED | 2 |
| 3 | 1452139 | RETAINER - HARNESS | 1 |
| 4 | 9987852 | PROBE - TEMP.SENSOR | 1 |
| 5 | 1211161 | CABLE CLAMP - RICHCO # N4 | 1 |
| 6 | 4272093 | COVER ASSY - SENSOR | 1 |
| 7 | 9900092 | SCREW - #6 - 32 X 3/8 PHIL.PH. | - |
| 8 | 3502097 | BUSHING #OCB - 500 | 1 |
| 9 | 9900016 | NUT #6 - 32 | - |
| 10 | 4363007 | COVER - SOLENOID - INNER DOOR - BLK | 1 |
| 11 | 4273044 | TAB - LOCK - HOLDER PLATE | 1 |
| 12 | 1451097 | SCREW - #8 - 32X.31 HEX HD.TF - BLK. | - |
| 13 | 4293014 | STOP - DOOR - REINFORCEMENT | 1 |
| 14 | 5201266 | PUSH ON RETAINER .187 | 2 |
| 15 | 4293001 | INNER DOOR ASSY - FOAMED | 1 |

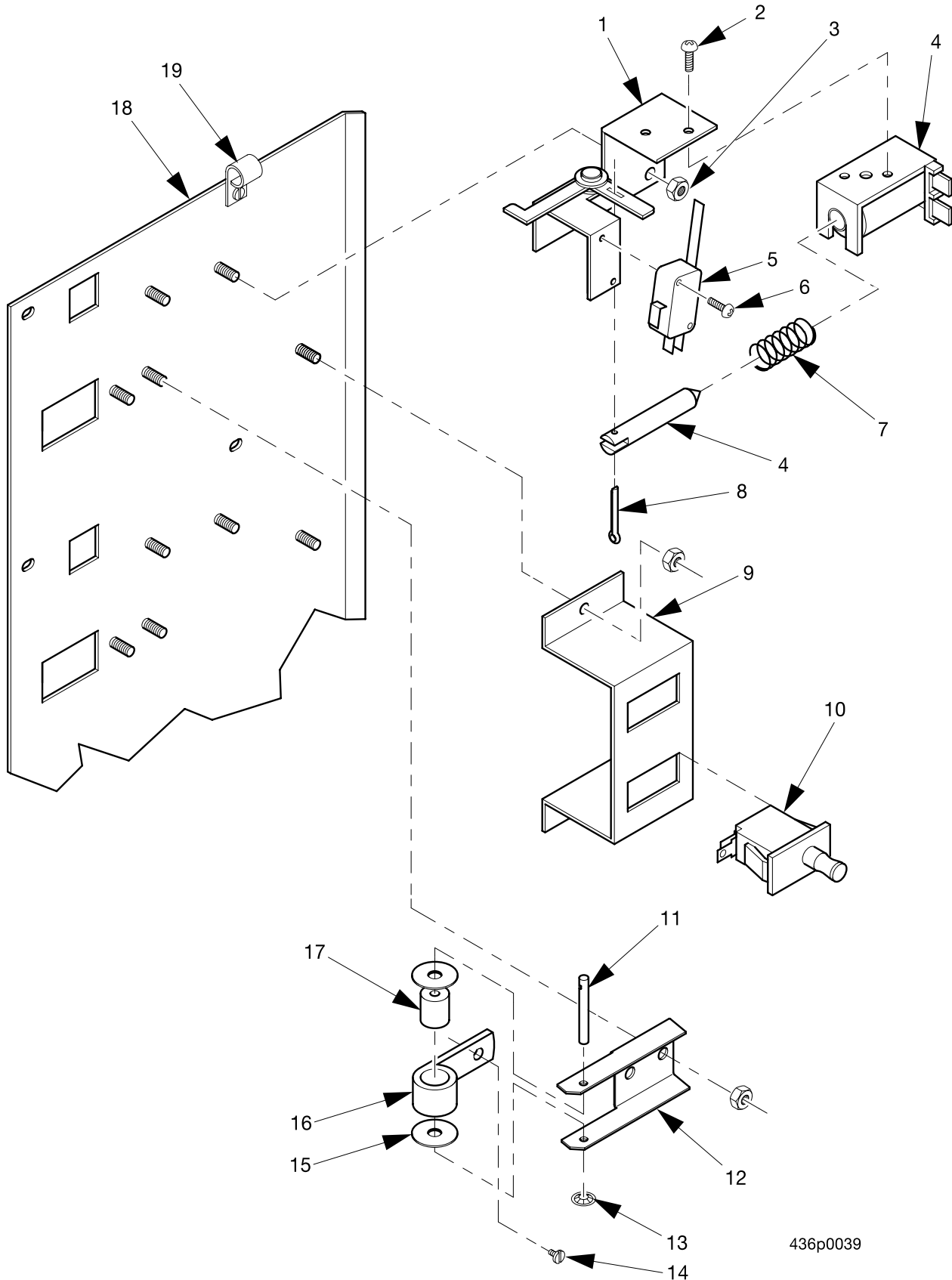


436p0029

Figure 9. Vend Door

TABLE 9. VEND DOOR

| INDEX | PART NUMBER | DESCRIPTION | QTY |
|-------|-------------|--|-------|
| 1 | 4273021 | INNER GUARD BUSHING | 6 |
| 2 | 9900220 | SCREW - #6 - 20 X 1.25 PH PHILLIPS | 40 |
| 3 | 4273112 | DOOR GASKET - 427 FOODKING | 1 |
| 4 | 4363023 | TRACK - DOOR - VEND | 10 |
| 5 | 4312124 | TAPE FLOCKED-.25" WIDE | 88" |
| 6 | 4112095 | TAPE-FOAM | 88" |
| 7 | 4293001 | INNER DOOR ASSY - FOAMED | 1 |
| 8 | 1451097 | SCREW - #8 - 32X.31 HEX HD.TF - BLK. | - |
| 9 | 4293014 | STOP - DOOR - REINFORCEMENT | 1 |
| 10 | 4273115 | DOOR STOP & PRICE HOLDER | 9 |
| 11 | 4273023 | PRICE TAG RETAINER | 9 |
| 12 | 4273114 | VEND DOOR | 9 |
| 13 | 4273044 | TAB - LOCK - HOLDER PLATE | 1 |
| 14 | 5201266 | PUSH ON RETAINER .187 | 2 |
| 15 | 4363008 | SHIELD - TRAY | 10 |
| 16 | 4273106 | TAPE - DOUBLE SIDED - 1/2"W X 1/32THK. | 4.17' |

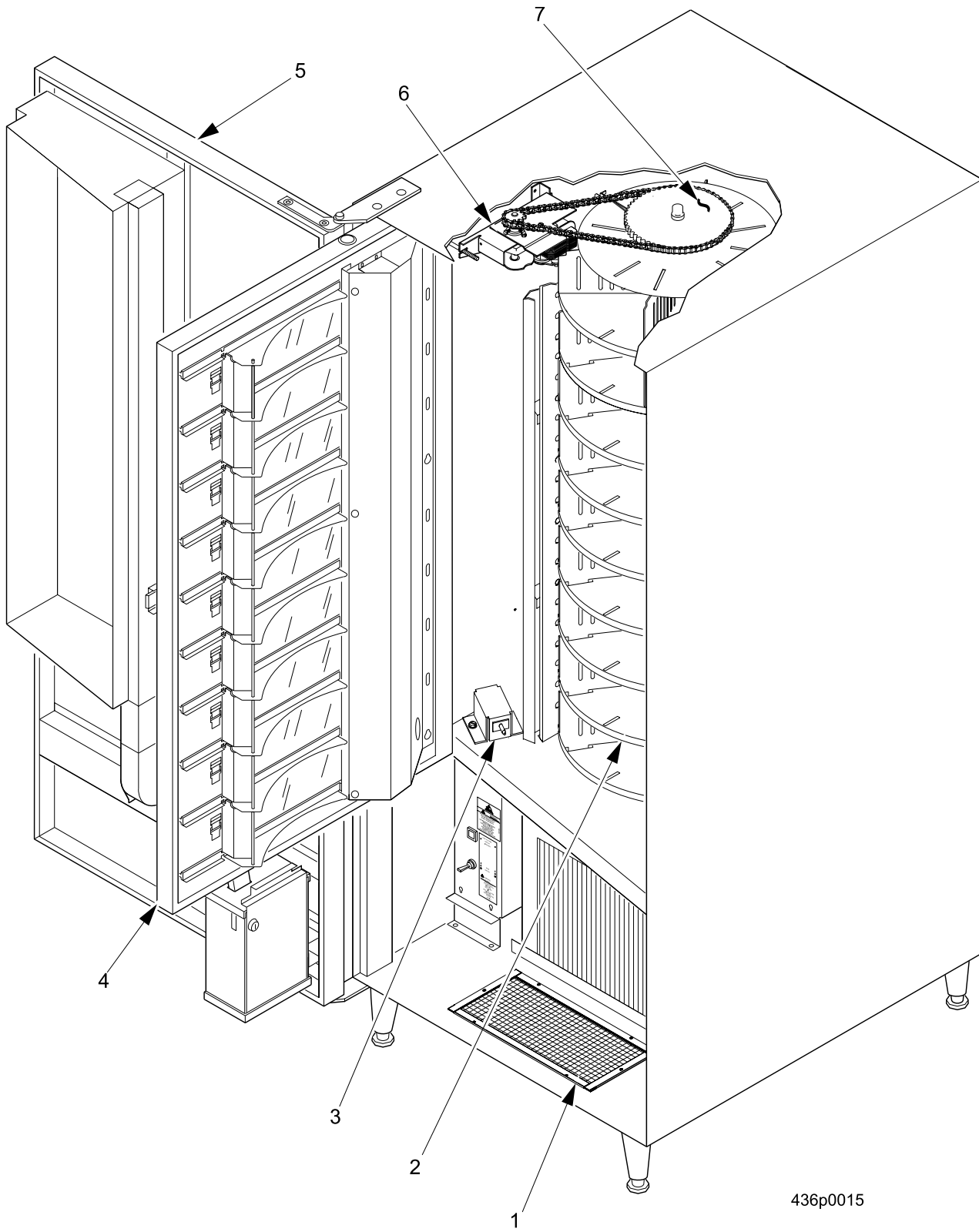


436p0039

Figure 10. Vend Door Solenoid Assembly

TABLE 10. VEND DOOR SOLENOID ASSEMBLY

| INDEX | PART NUMBER | DESCRIPTION | QTY |
|-------|-------------|--|-----|
| 1 | 4363000 | BRACKET ASSY - SOLENOID MTG. | 1 |
| 2 | 9900090 | SCREW #6 - 32 X 3/16 RHS W/LKW | - |
| 3 | 9900081 | NUT #8 - 32 KEPS ZINC PLATE | - |
| 4 | 4252029 | SOLENOID - 24 VDC | 6 |
| 5 | 9984633 | SWITCH - LEVER | 1 |
| 6 | 5262141 | SCREW 4 - 40 X 9/16 PHP | 2 |
| 7 | 4273019 | SPRING | 1 |
| 8 | 9900140 | COTTER PIN 1/16 X 7/16 | - |
| 9 | 4273079 | BRACKET - SWITCH MOUNTING | 1 |
| 10 | 1236050 | SWITCH | 1 |
| | | SWITCH (POLYVEND U.K. ONLY) | 2 |
| - | 4363029 | SPRING ASSEMBLY - VEND DOOR (INCLUDES ITEM NUMBERS 11 THROUGH 13, AND 15 THROUGH 17) | 9 |
| 11 | 4363014 | SHAFT - ROLLER - SPRING | 1 |
| 12 | 4363030 | BRACKET-SPRING-VEND DOOR | 1 |
| 13 | 4273050 | STUD PUSHNUT | 1 |
| 14 | 4245186 | SCREW - #8 32 X 1/4 PHS - T/F | 9 |
| 15 | 4363031 | WASHER-VEND DOOR SPRING ASSY. | 2 |
| 16 | 4363032 | SPRING-VEND DOOR RETURN | 1 |
| 17 | 4363013 | ROLLER - SPRING | 1 |
| 18 | 4363016 | PLATE - SOLENOID MOUNTING | 1 |
| 19 | 1452139 | RETAINER - HARNESS | 1 |

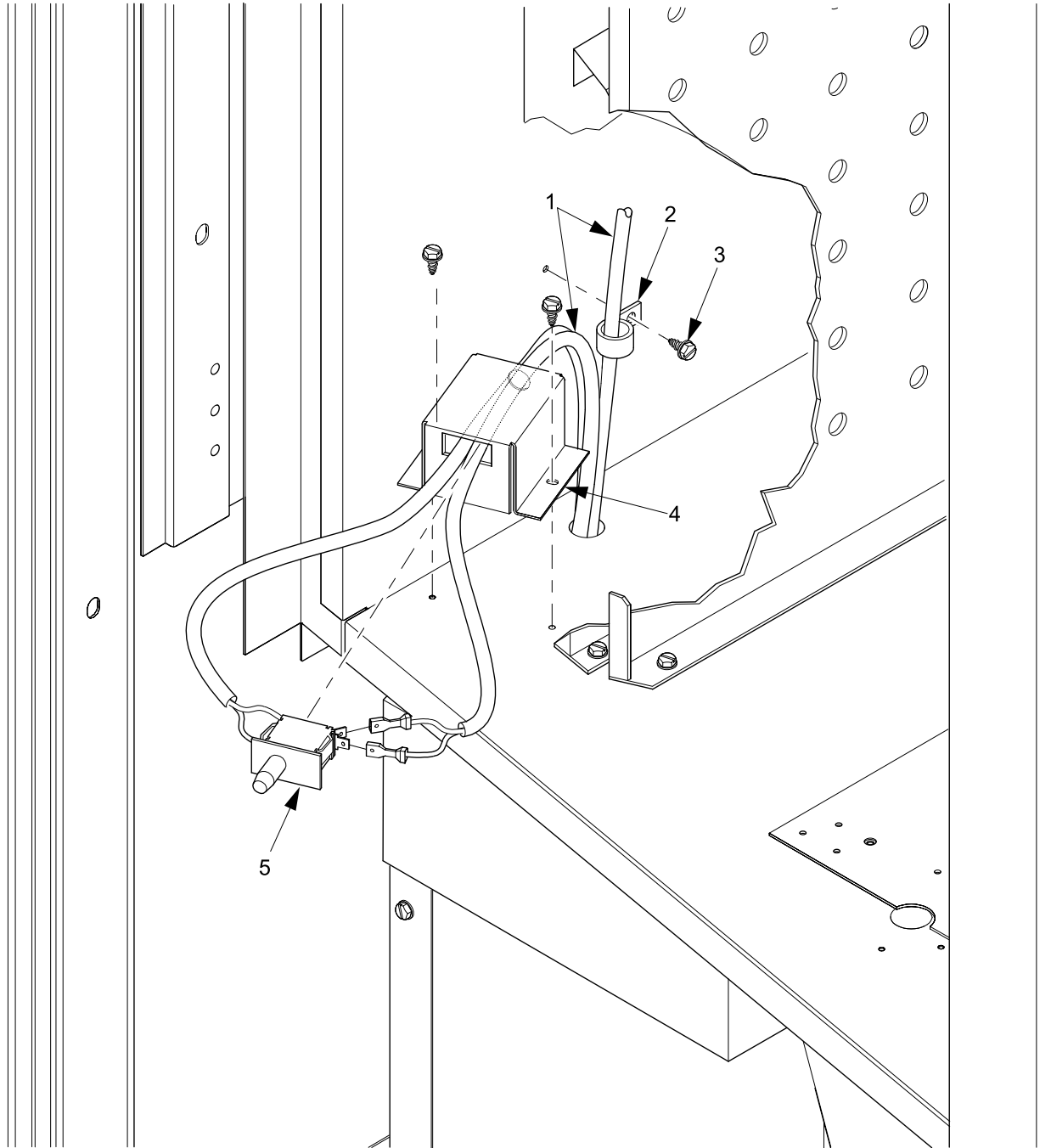


436p0015

Figure 11. Major Cabinet Assemblies

TABLE 11. MAJOR CABINET ASSEMBLIES

| INDEX | PART NUMBER | DESCRIPTION | QTY |
|-------|-------------|--|-----|
| 1 | 4271066 | SCREEN ASSEMBLY | 1 |
| 2 | - | TURRET (SEE FIGURE 21) | 1 |
| 3 | - | SWITCH AND MOUNTING BRACKET ASSEMBLY (SEE FIGURE 12) | 1 |
| 4 | - | INNER DOOR ASSEMBLY (SEE FIGURE 7) | 1 |
| 5 | 4362032 | DOOR ASSEMBLY - COMMON | 1 |
| 6 | 4271088X | TURRET MOTOR ASSEMBLY - 115V (SEE FIGURE 23) | 1 |
| | 4271108X | TURRET MOTOR ASSEMBLY - 230V (SEE FIGURE 23) | |
| 7 | 4277012 | SPROCKET - 60 TOOTH - MODIFIED (SEE FIGURE 21) | 1 |

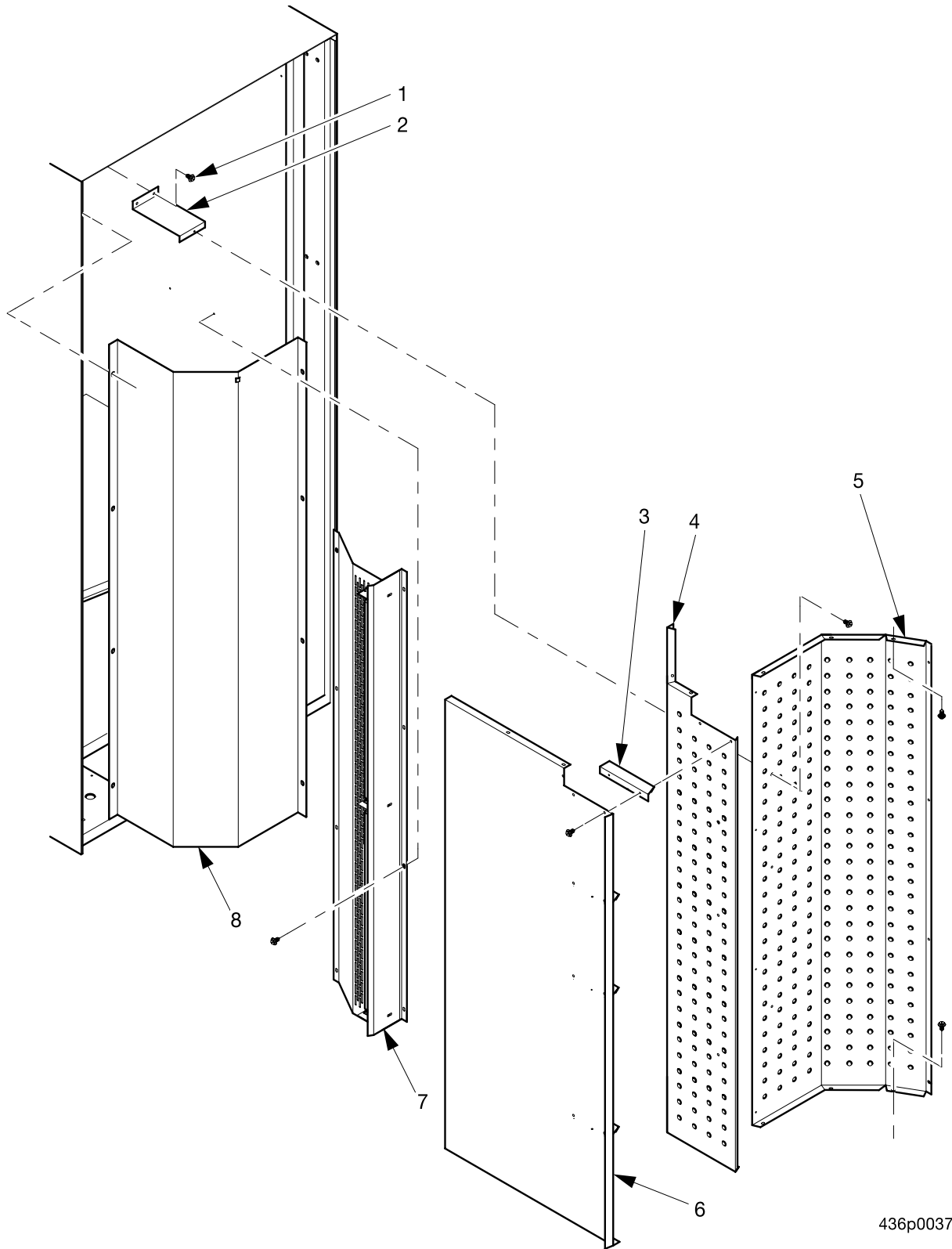


427p0044

Figure 12. Switch and Mounting Bracket Assembly

TABLE 12. SWITCH AND MOUNTING BRACKET ASSEMBLY

| INDEX | PART NUMBER | DESCRIPTION | QTY. |
|-------|-------------|--------------------------------------|------|
| 1 | 4369003 | HARNESS - COLD AC | 1 |
| 2 | 4751060 | RETAINER-HARNESS | 1 |
| 3 | 1451097 | SCREW - #8 - 32X.31 HEX HD.TF - BLK. | - |
| 4 | 4361059 | BRACKET - SWITCH MOUNTING | 1 |
| 5 | 1211141 | SWITCH | 1 |



436p0037

Figure 13. Inner Panels

TABLE 13. INNER PANELS

| INDEX | PART NUMBER | DESCRIPTION | QTY. |
|-------|-------------|----------------------------------|------|
| 1 | 4721035 | SCREW - #8 - 18 X .38 - LGM | - |
| 2 | 4271152 | BRACKET - SPACING - LEFT - BLACK | 3 |
| 3 | 4361042 | BAFFLE - DISCHARGE - LEFT - BLK | 1 |
| 4 | 4361041 | PANEL - INNER CENTER - BLK | 1 |
| 5 | 4361040 | PANEL - INNER RIGHT - BLK | 1 |
| 6 | 4271151 | PANEL - INNER - LEFT - BLACK | 1 |
| 7 | 4361027 | LIGHT & RETURN AIR ASSY - BLK | 1 |
| 8 | 4361030 | DUCT - EXTENSION - BLK | 1 |

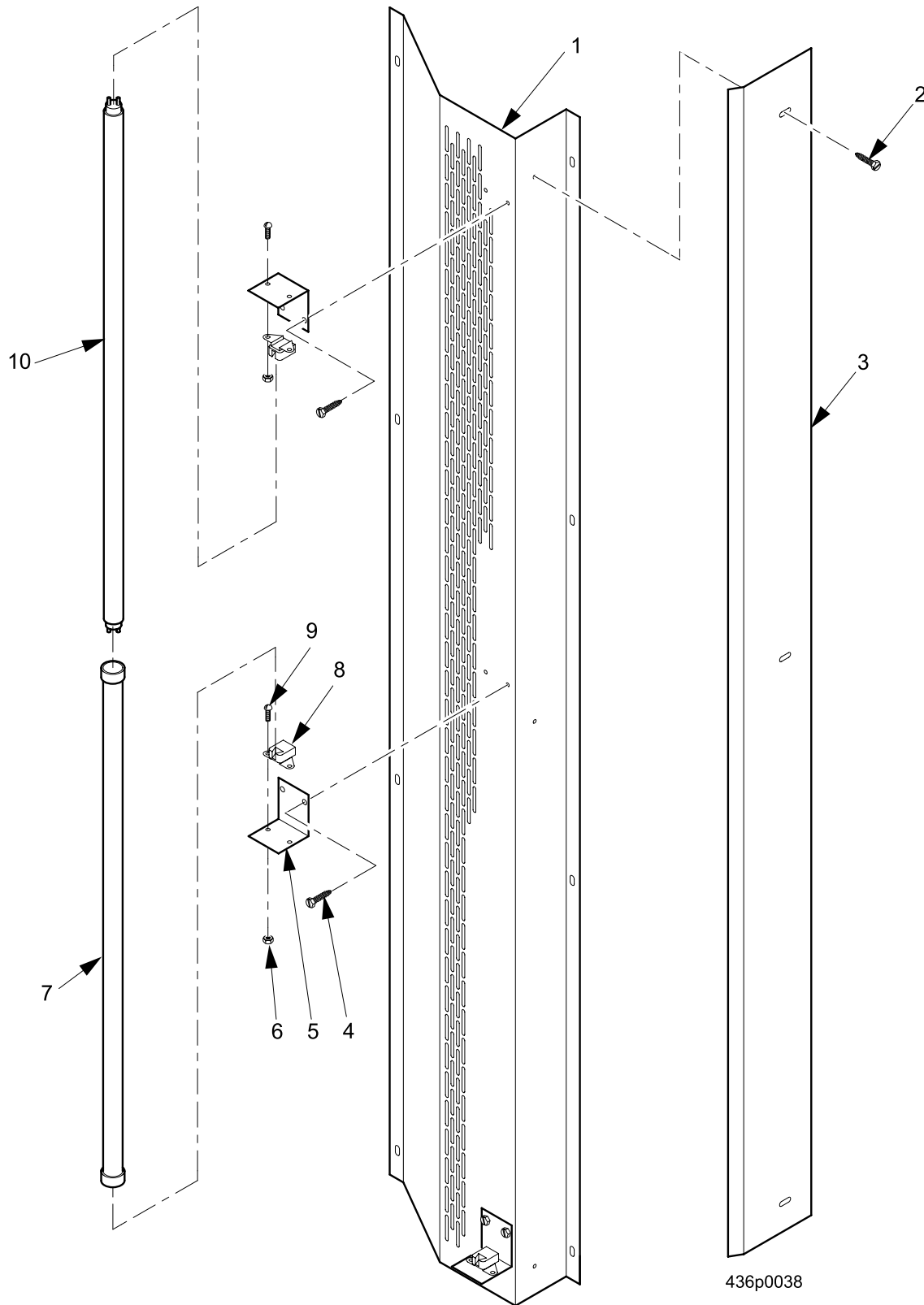
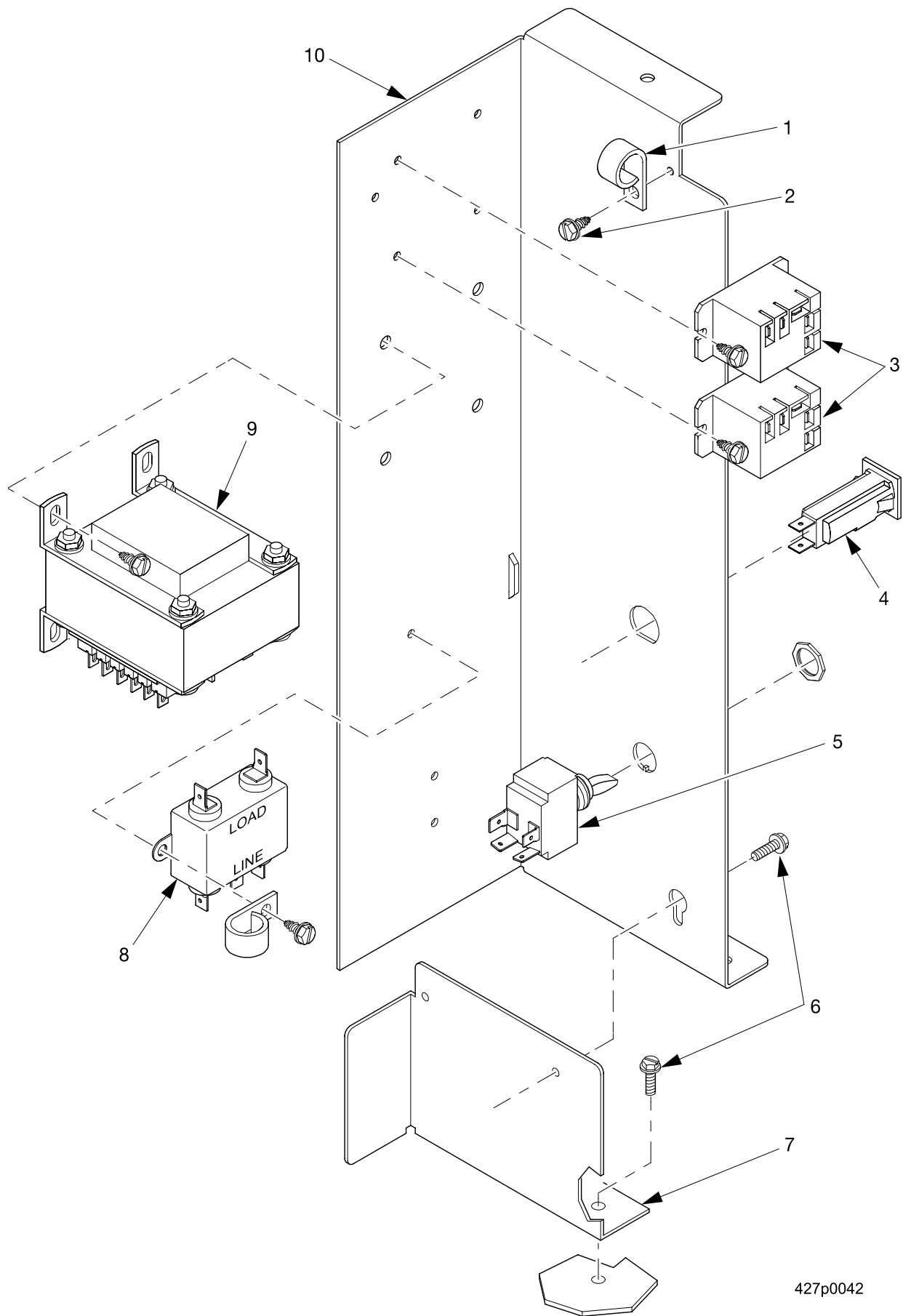


Figure 14. Return Air Light Assembly

TABLE 14. RETURN AIR LIGHT ASSEMBLY

| INDEX | PART NUMBER | DESCRIPTION | QTY. |
|-------|-------------|--|------|
| 1 | 4361028 | PANEL - AIR - RETURN - BLK | 1 |
| 2 | 1451097 | SCREW - #8-32 X .31 HEX HD.TF - BLK. | - |
| 3 | 4361026 | SHIELD - LIGHT - BLK | 1 |
| 4 | 3157060 | SCREW - #8-32 X .31 HEX W/ HD. SLOTTED - T/F - ZINC PL | 3 |
| 5 | 4361029 | BRACKET - LIGHT - BLK | 3 |
| 6 | 1217159 | 4-40 KEPS W/EXT L/WAS H ZP | - |
| 7 | 4271086 | SAFETY LAMP SLEEVE W/END CAPS | 2 |
| 8 | 4302277 | FLUORESCENT SOCKET - LOWER | 1 |
| 9 | 5262139 | 01440106 # 4-40X3/8 PPHD M SCR ZP | - |
| 10 | 4031148 | LAMP FLUORESCENT 13W #F13T5CW | 2 |

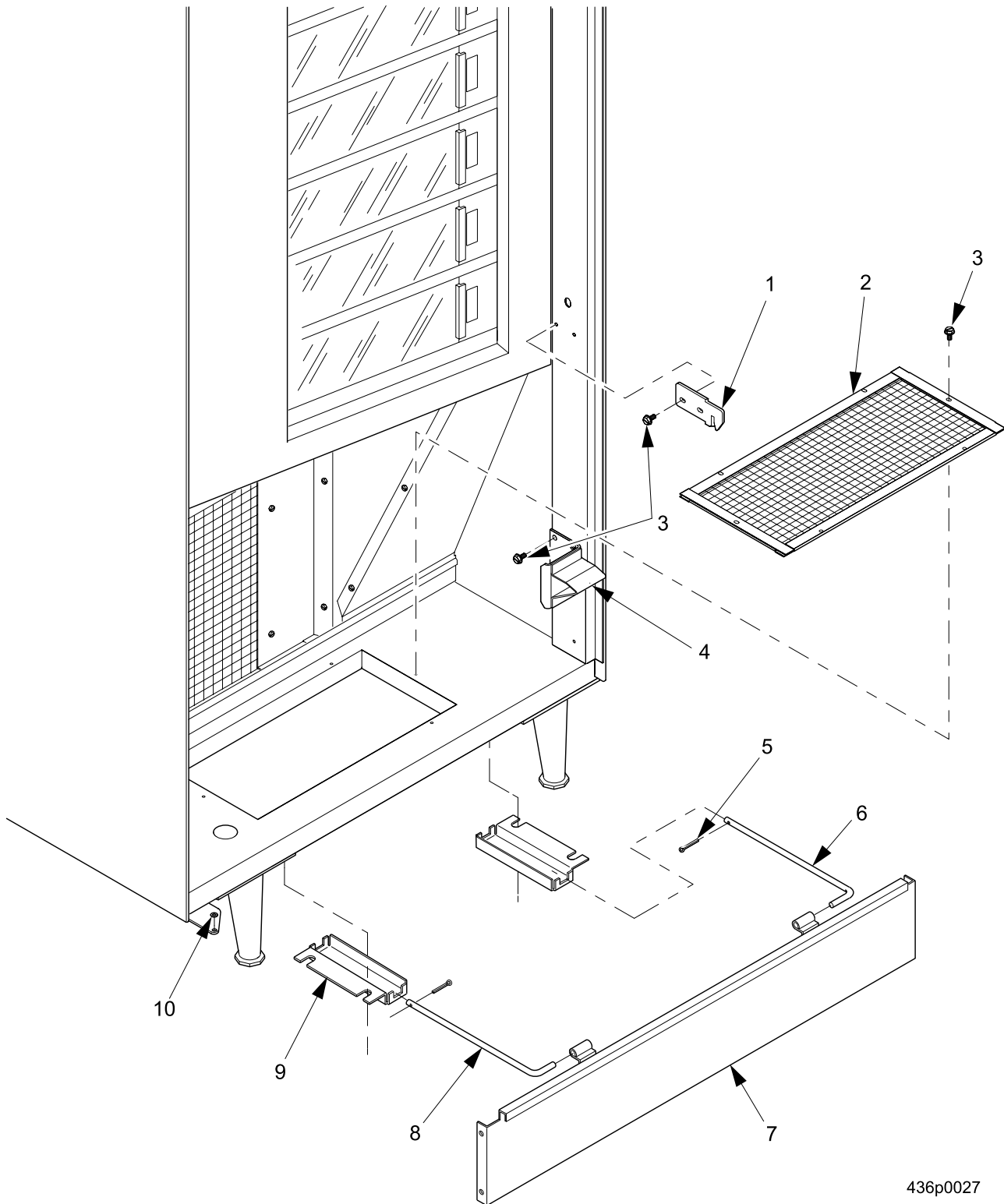


427p0042

Figure 15. Power Panel Assembly

TABLE 15. POWER PANEL ASSEMBLY

| INDEX | PART NUMBER | DESCRIPTION | QTY. |
|-------|-------------|---|------|
| - | 4291107 | POWER PANEL ASSY - FOODKING - UK (230 V) | 1 |
| | 4291089 | POWER PANEL ASSY - FOODKING - DOM (115 V) | |
| 1 | 4732024 | RETAINER - HARNESS | 3 |
| 2 | 3157060 | SCREW - #8 - 32 X .31 HEX W/HD. | 7 |
| 3 | 9989677 | RELAY - SPDT 24 VDC - PANEL MOUNT | 2 |
| 4 | 9989674 | CIRCUIT BREAKER - 4 AMP | 1 |
| 5 | 9984629 | SWITCH - TOGGLE - DPST - 20 AMP | 1 |
| 6 | 1451056 | 8 - 32X.31 HWS TY23 ZB WAX | - |
| 7 | 4271129 | BRACKET - ELECTRICAL PANEL | 1 |
| 8 | 9989100 | INTERFERENCE FILTER | 1 |
| 9 | 9989046 | 24V TRANSFORMER - DUAL PIR. - .187 TERM. | 1 |
| 10 | 4271128 | PANEL - ELECTRICAL | 1 |

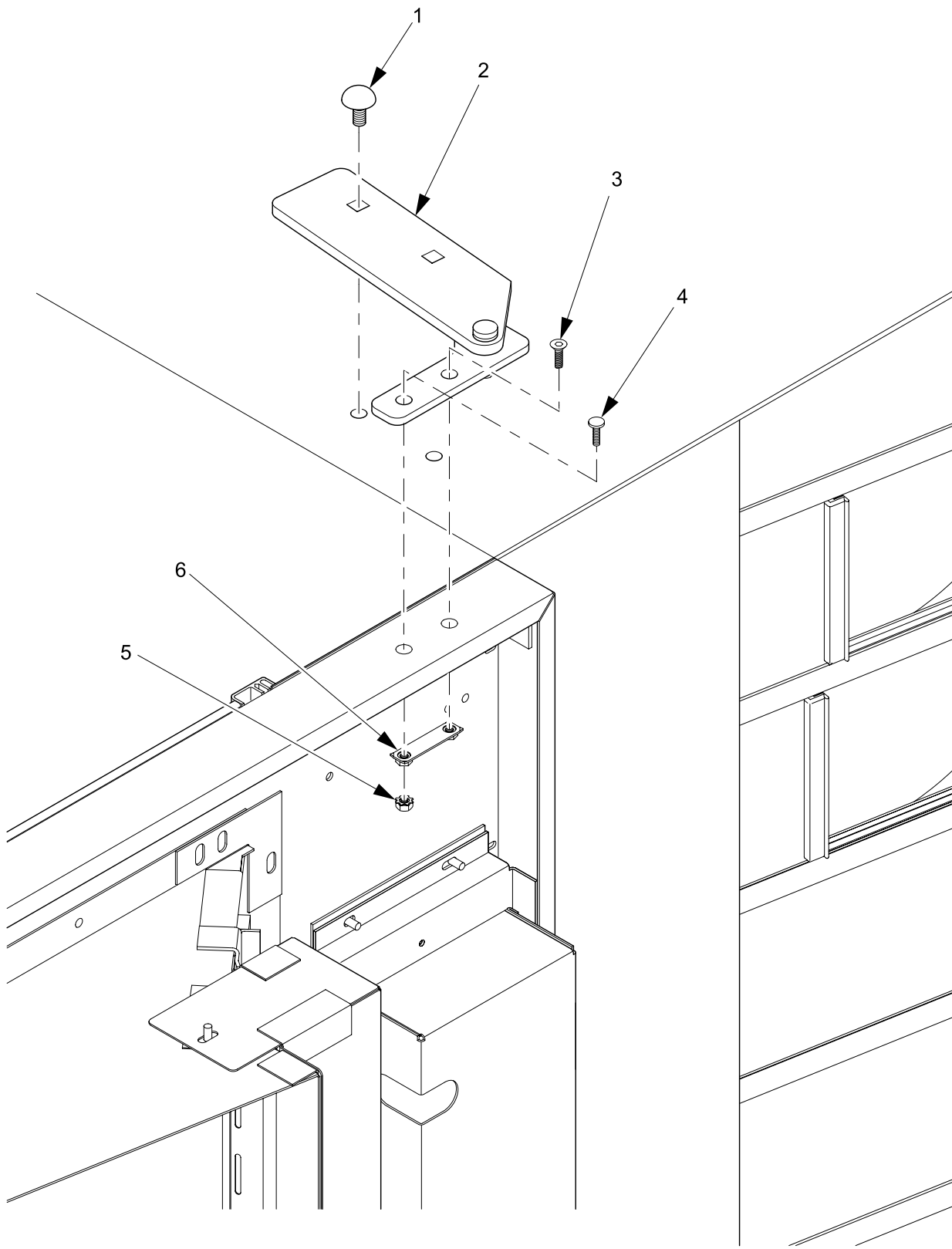


436p0027

Figure 16. Base Plate Accessory and Miscellaneous Cabinet Parts

TABLE 16. BASE PLATE ACCESSORY AND MISCELLANEOUS CABINET PARTS

| INDEX | PART NUMBER | DESCRIPTION | QTY. |
|-------|-------------|--|------|
| - | 4271105 | BASE PLATE AND ACCESSORY ASSEMBLY (INCLUDES INDEX NUMBERS 5 THROUGH 9) | OPT. |
| 1 | 1571074 | LOCK ARM - CABINET | 1 |
| 2 | 4271066 | SCREEN ASSEMBLY | 1 |
| 3 | 1451097 | SCREW - #8 - 32X.31 HEX HD.TF - BLK. | - |
| 4 | 4271077 | SUPPORT ASSEMBLY - DOOR CHECK | 1 |
| 5 | 9900098 | COTTER PIN - 3/32 X 3/4 IN | 2 |
| 6 | 1411194 | SLIDE - BASE PLATE - RIGHT HAND | 1 |
| 7 | 4271103 | BASE PLATE ASSEMBLY | 1 |
| 8 | 1411195 | SLIDE - BASE PLATE - LEFT HAND | 1 |
| 9 | 6231087 | BRACKET - BASE PLATE | 2 |
| 10 | 4242145 | BEARING - THRUST - LOWER HINGE | 1 |



436p0040

Figure 17. Upper Hinge Assembly

TABLE 17. UPPER HINGE ASSEMBLY

| INDEX | PART NUMBER | DESCRIPTION | QTY. |
|-------|-------------|----------------------------------|------|
| 1 | 1171021 | 5/16 - 18X3/4 CARR BOLT ZP | - |
| 2 | 4271037 | HINGE ASSEMBLY - UPPER | 1 |
| 3 | 6232036 | SCREW - 5/16-18X.75 FLT.HDSOCKET | 1 |
| 4 | 6232208 | WELD SCREW - #1/4-20 X 1"LG | 1 |
| 5 | 1211105 | 1/4-20 KEPS NUT EXT LW ZP | - |
| 6 | 6232028 | PLATE ASSY - HINGE MTG | 1 |

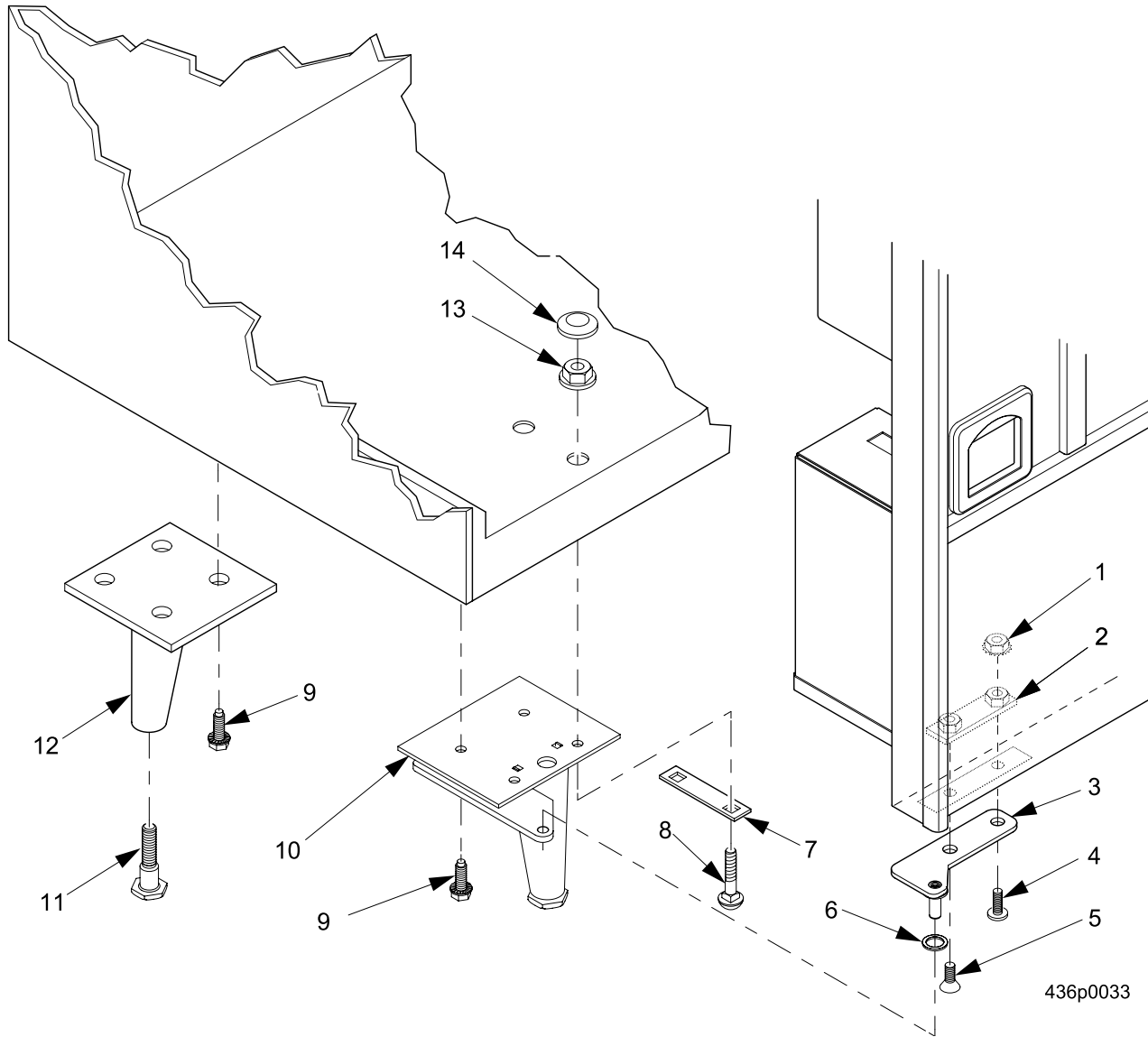
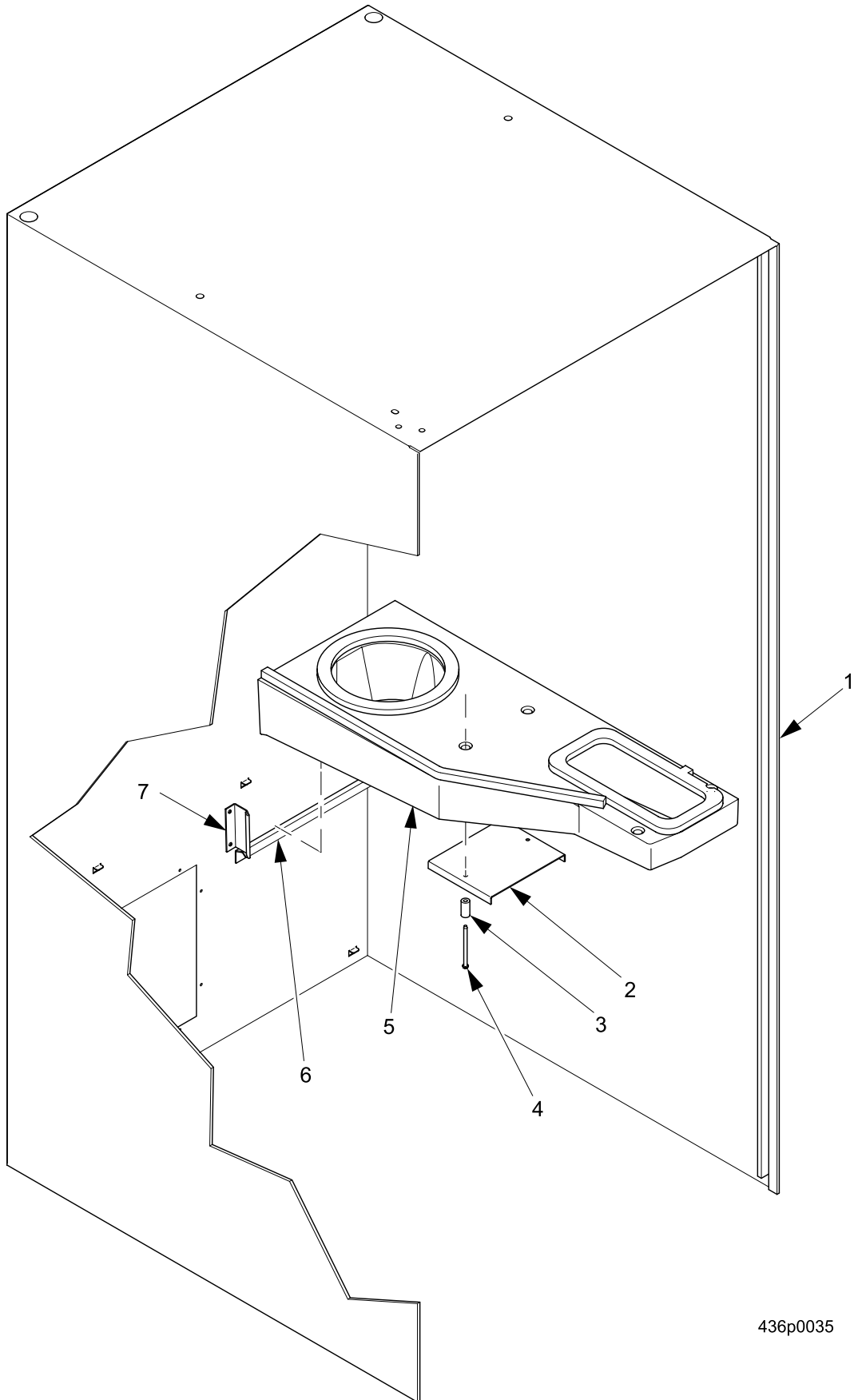


Figure 18. Leg Assemblies

TABLE 18. LEG ASSEMBLIES

| INDEX | PART NUMBER | DESCRIPTION | QTY. |
|-------|-------------|----------------------------------|------|
| 1 | 9900081 | NUT #8-32 KEPS ZINC PLATE | 1 |
| 2 | 6232028 | PLATE ASSY-HINGE MTG | 1 |
| 3 | 6232031 | HINGE ASSY-DOOR-LOWER | 1 |
| 4 | 6232208 | WELD SCREW-#1/4-20 X 1"LG | 1 |
| 5 | 6232036 | SCREW-5/16-18X.75 FLT.HDSOCKET | 1 |
| 6 | 4242145 | BEARING-THRUST-LOWER HINGE | 1 |
| 7 | 6231203 | PLATE - HINGE LEG BOLT | 1 |
| 8 | 1211112 | TRAY BOLT | 2 |
| 9 | 9900218 | SCREW - #5/16 X 1 W/LOCKING RING | - |
| 10 | 6231163 | LEG,HINGE & LEVELER ASSY | 1 |
| 11 | 1471098 | LEVELER - CABINET | 4 |
| 12 | 1471237 | LEG & LEVELER ASSY - CABINET | 3 |
| 13 | 1172021 | NUT - 1/4-20 WHIZ - LOCK | - |
| 14 | 1452016 | HOLE PLUG #BPF-S/B (B659) | 2 |



436p0035

Figure 19. Duct Support Assemblies

TABLE 19. DUCT SUPPORT ASSEMBLIES

| INDEX | PART NUMBER | DESCRIPTION | QTY. |
|-------|-------------|----------------------------------|------|
| 1 | 4361032 | FOAMED CAB ASSY - BLK/NV BLK | 1 |
| 2 | 4361018 | SUPPORT - DUCT - CENTER | 1 |
| 3 | 4274009 | SPACER - NYLON - 1.0L X .5 OD | 8 |
| 4 | 4361039 | SCREW - #10 - 32 X 2.5 HX WASHER | 4 |
| 5 | 4361017 | DUCT & SEAL ASSY - SUPPLY/RETURN | 1 |
| 6 | 4361019 | SUPPORT - DUCT - REAR - HORIZ | 1 |
| 7 | 4361020 | SUPPORT - DUCT - REAR - VERTICAL | 1 |

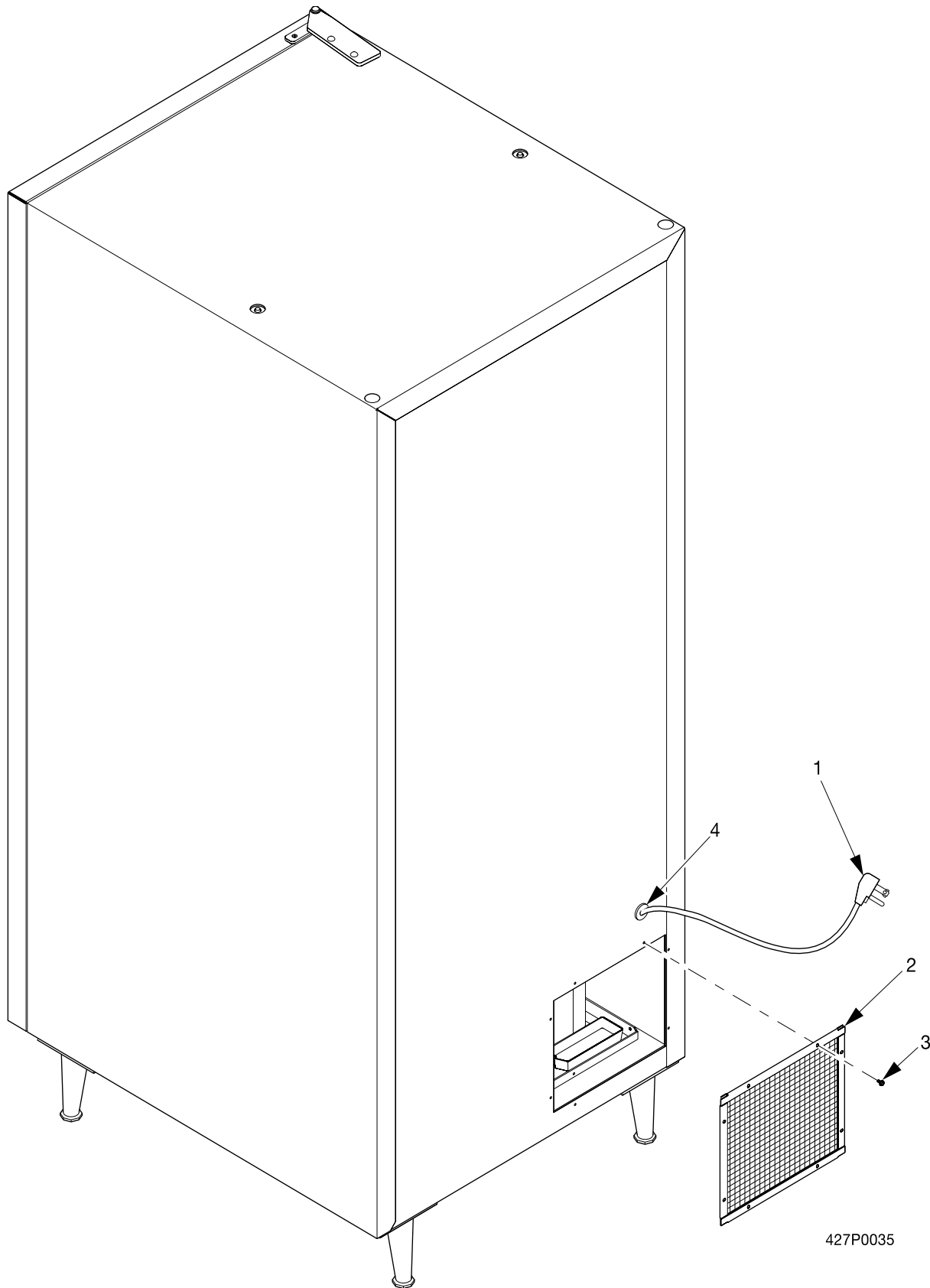
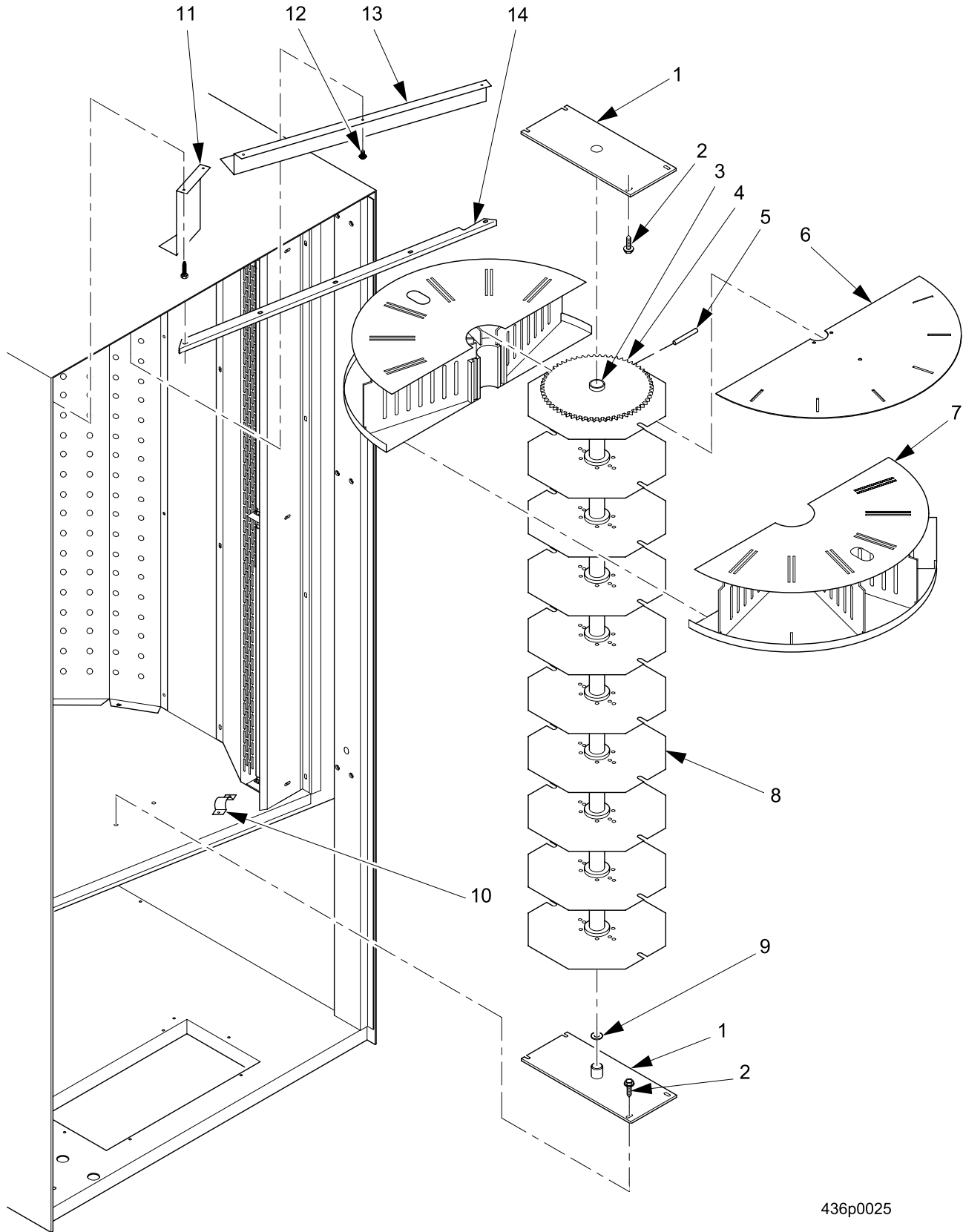


Figure 20. Cabinet Components - Rear

TABLE 20. CABINET COMPONENTS - REAR

| INDEX | PART NUMBER | DESCRIPTION | QTY |
|-------|-------------|---------------------------------------|-----|
| 1 | 9989781 | POWER CORD - 14 AWG - DOMESTIC (U.S.) | 1 |
| | 9989576 | POWER CORD - WITH BSI PLUG (U.K.) | |
| 2 | 4271081 | SCREEN ASSEMBLY - REAR | 1 |
| 3 | 1451097 | SCREW - #8 - 32X.31 HEX HD.TF - BLK. | - |
| 4 | 3104056 | BUSHING - STRAIN RELIEF #5R - 7W - 2 | 1 |

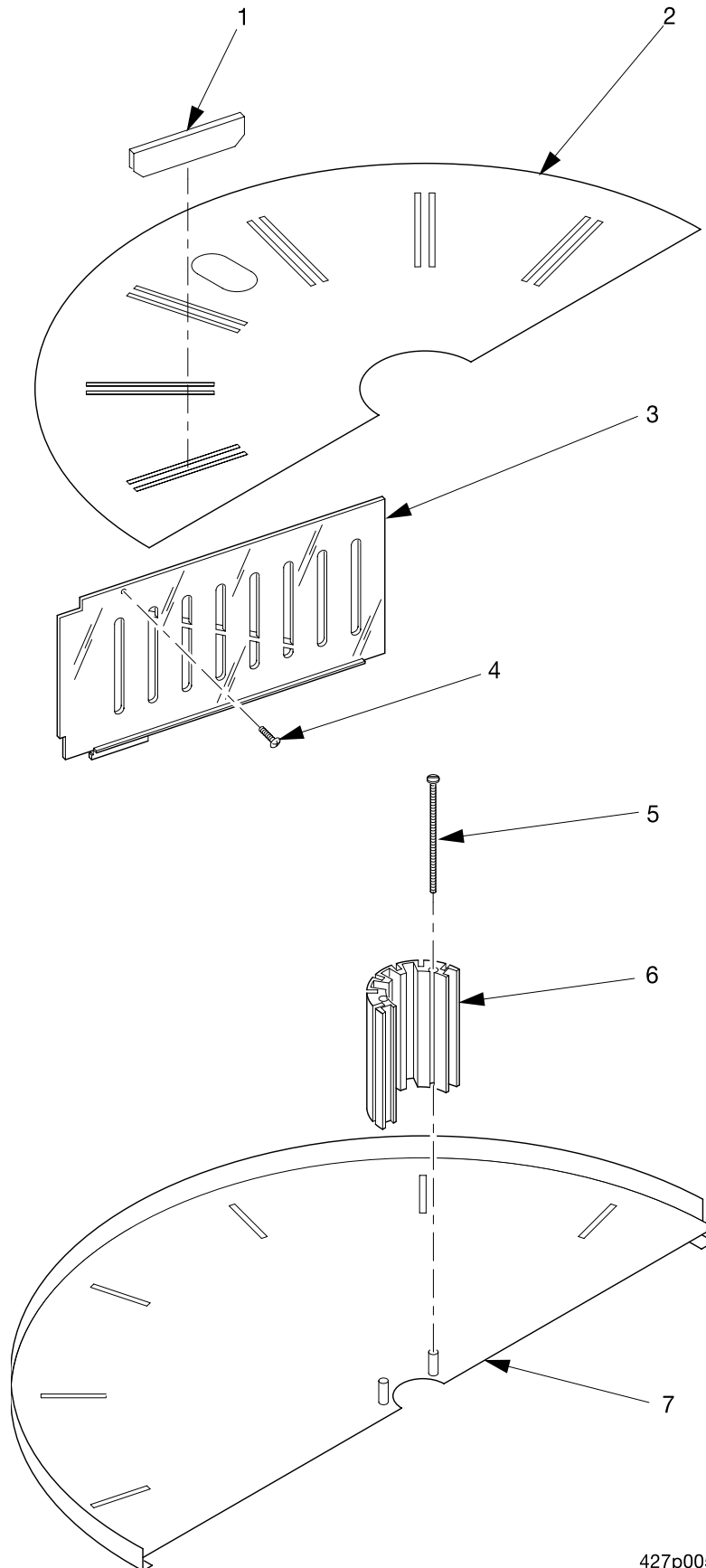


436p0025

Figure 21. Turret Assembly

TABLE 21. TURRET ASSEMBLY

| INDEX | PART NUMBER | DESCRIPTION | QTY. |
|-------|-------------|--|------|
| 1 | 4277055 | BASEPLATE WELD ASSY - BLACK | 2 |
| 2 | 4727144 | SCREW - #8 - 18X.62 HEX HEAD | - |
| 3 | 4277011 | BEARING - FLANGE - .625,SF - 2428 - 12 | 2 |
| 4 | 4277012 | SPROCKET - 60 TOOTH - MODIFIED | 1 |
| 5 | 4277031 | ROLL PIN - .250 X 2.25 | 1 |
| 6 | 4277060 | TRAY SEGMENT ASSY - TOP - BLACK | 1 |
| 7 | 4297004 | 6 PRODUCT SHELF - BLACK (SEE FIGURE 22) | 14 |
| | 4297003 | 12 PRODUCT SHELF - BLACK (SEE FIGURE 22) | 4 |
| 8 | 4277004 | CAROUSEL ASSEMBLY | 1 |
| | 4277052 | CAROUSEL ASSEMBLY-BLACK | |
| 9 | 4271058 | CLAMP - DOUBLE MOUNT - .43 | 1 |
| 10 | 4271130 | STOP - COLD FOOD DOOR LATCH | 1 |
| 11 | 4271163 | COVER - MOTOR - BLACK | 1 |
| 12 | 4721035 | SCREW - #8 - 18 X .38 - LGM | - |
| 13 | 4361025 | COVER - GUARD - CHAIN - BLK | 1 |
| 14 | 4361043 | JAMB - LINER - TOP - BLK | 1 |

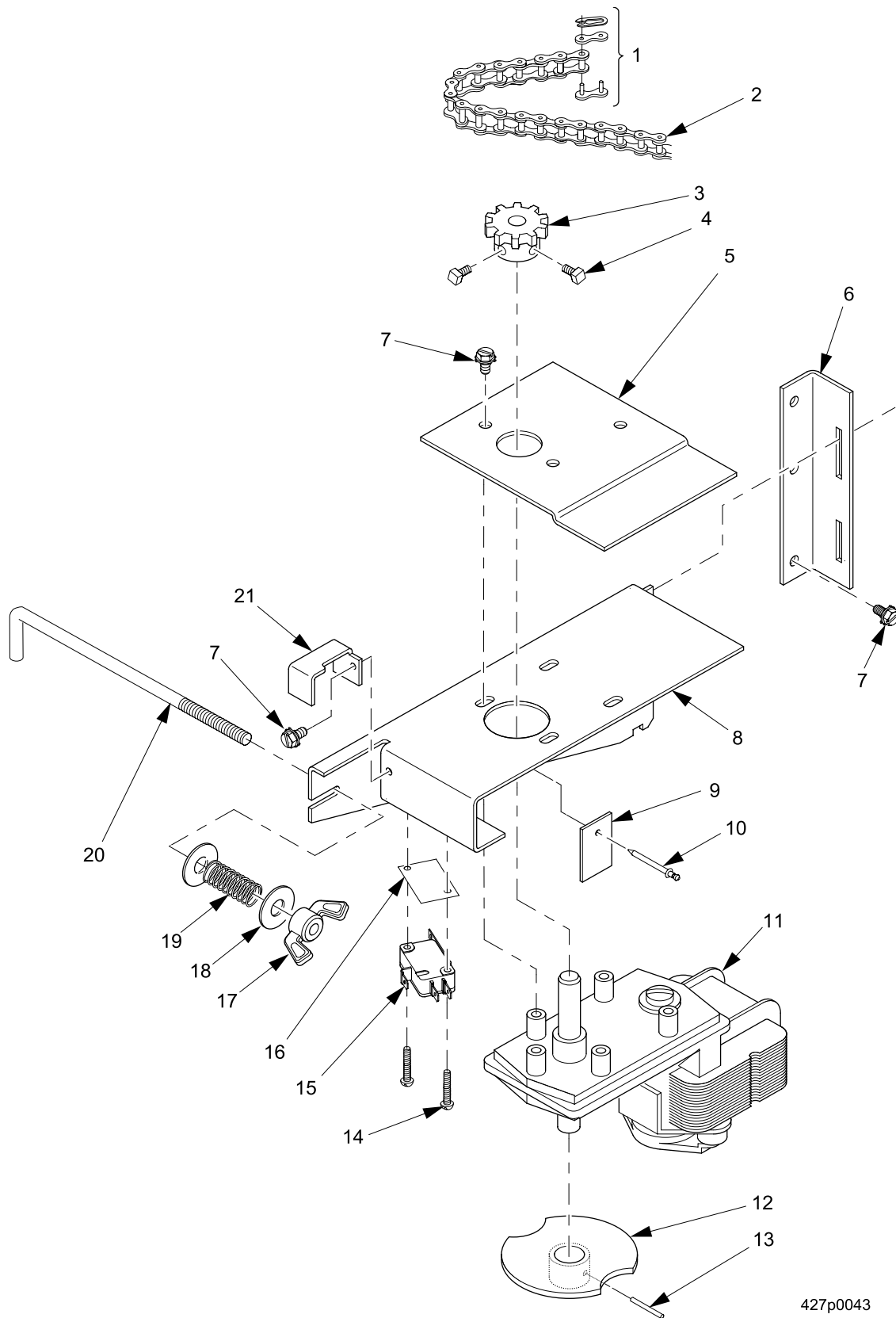


427p0057

Figure 22. Tray Half Assembly

TABLE 22. TRAY HALF ASSEMBLY

| INDEX | PART NUMBER | DESCRIPTION | QTY. |
|-------|-------------|----------------------------------|------|
| 1 | 4277030 | HOLDER | 12 |
| 2 | 4277053 | PLATE HOLDER - BLACK | 4 |
| 3 | 4277029 | TRAY DIVIDER | 6 |
| 4 | 4277042 | SCREW - #8 - 10 X.5 T/F - PHS | - |
| 5 | 4277024 | SCREW - #6 - 32 X 3 PHILLIPS P/H | 4 |
| 6 | 4277049 | SUPPORT - DIVIDER - TRAY | 4 |
| 7 | 4297001 | TRAY SEGMENT ASSY - BLACK | 4 |

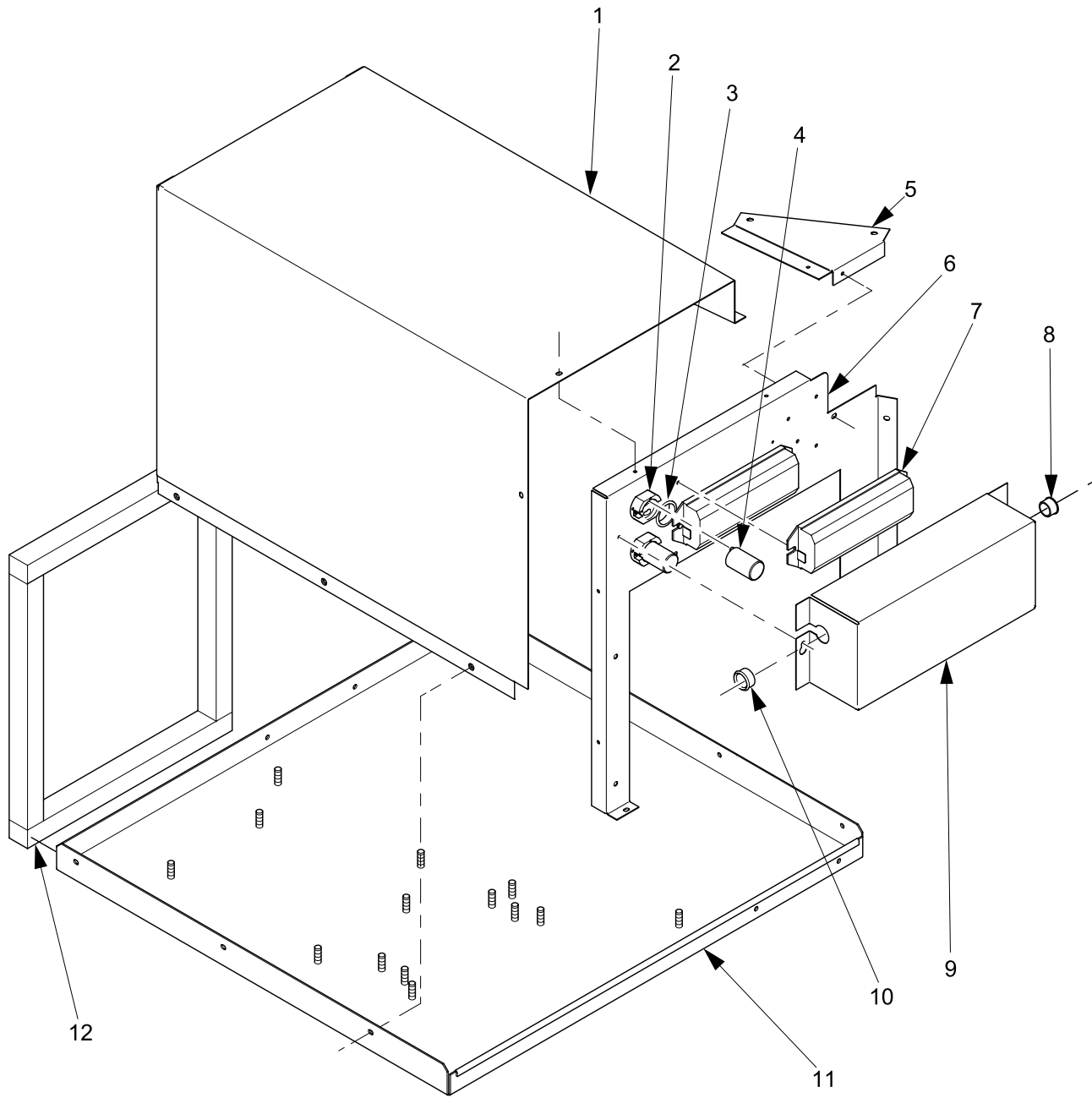


427p0043

Figure 23. Turret Motor Assembly

TABLE 23. TURRET MOTOR ASSEMBLY

| INDEX | PART NUMBER | DESCRIPTION | QTY. |
|-------|-------------|---|------|
| - | 4271088X | TURRET MOTOR ASSEMBLY - 115V | 1 |
| | 4271108X | TURRET MOTOR ASSEMBLY - 230V | |
| 1 | 4277013 | CHAIN REPAIR LINK - 3/8 | 1 |
| 2 | 4277038 | CHAIN - DRIVE | 1 |
| 3 | 4271002 | SPROCKET - 10 TOOTH - STEEL | 1 |
| 4 | 4277008 | SET SCREW - 1/4 - 20 X 3/8 CUP | - |
| 5 | 4271166 | SUPPORT - MOTOR | 1 |
| 6 | 4271154 | BRACKET - SUPPORT - MOTOR MOUNTING - TURRET | 1 |
| 7 | 1451097 | SCREW - #8 - 32X.31 HEX HD.TF - BLK. | - |
| 8 | 4271173 | BRACKET - MOTOR MOUNT - TURRET | 1 |
| 9 | 4271055 | SPACER - MOTOR/BRKT - TURRET | 1 |
| 10 | 3502078 | RIVET - POP - .125 DIA X .265 | - |
| 11 | 4277050 | DRIVE MOTOR ASSEMBLY - TURRET - 115V (PART OF 4271088X) | 1 |
| | 4277051 | DRIVE MOTOR ASSEMBLY - TURRET - 230V (PART OF 4271108X) | |
| 12 | 4271001 | CAM ASSEMBLY - MOTOR COLUMN | 1 |
| 13 | 6104219 | ROLL PIN - .094 X 5/8 | 1 |
| 14 | 5262141 | SCREW - 4 - 40 X 9/16 PHP | 2 |
| 15 | 4271004 | MICROSWITCH VL3 | 1 |
| 16 | 6112042 | INSULATOR SWITCH | |
| 17 | 4271080 | NUT - WING - #8 - 32 WITH NYLON INSERT | 1 |
| 18 | 5202012 | SPACER - EXTENSION BAR | 2 |
| 19 | 4042094 | SPRING - OVERRIDE | 1 |
| 20 | 4271065 | BOLT - ANCHOR - #8 - 32 X 2.25 | 1 |
| 21 | 4361051 | BRACKET - INDICATOR - NV BLACK | 1 |

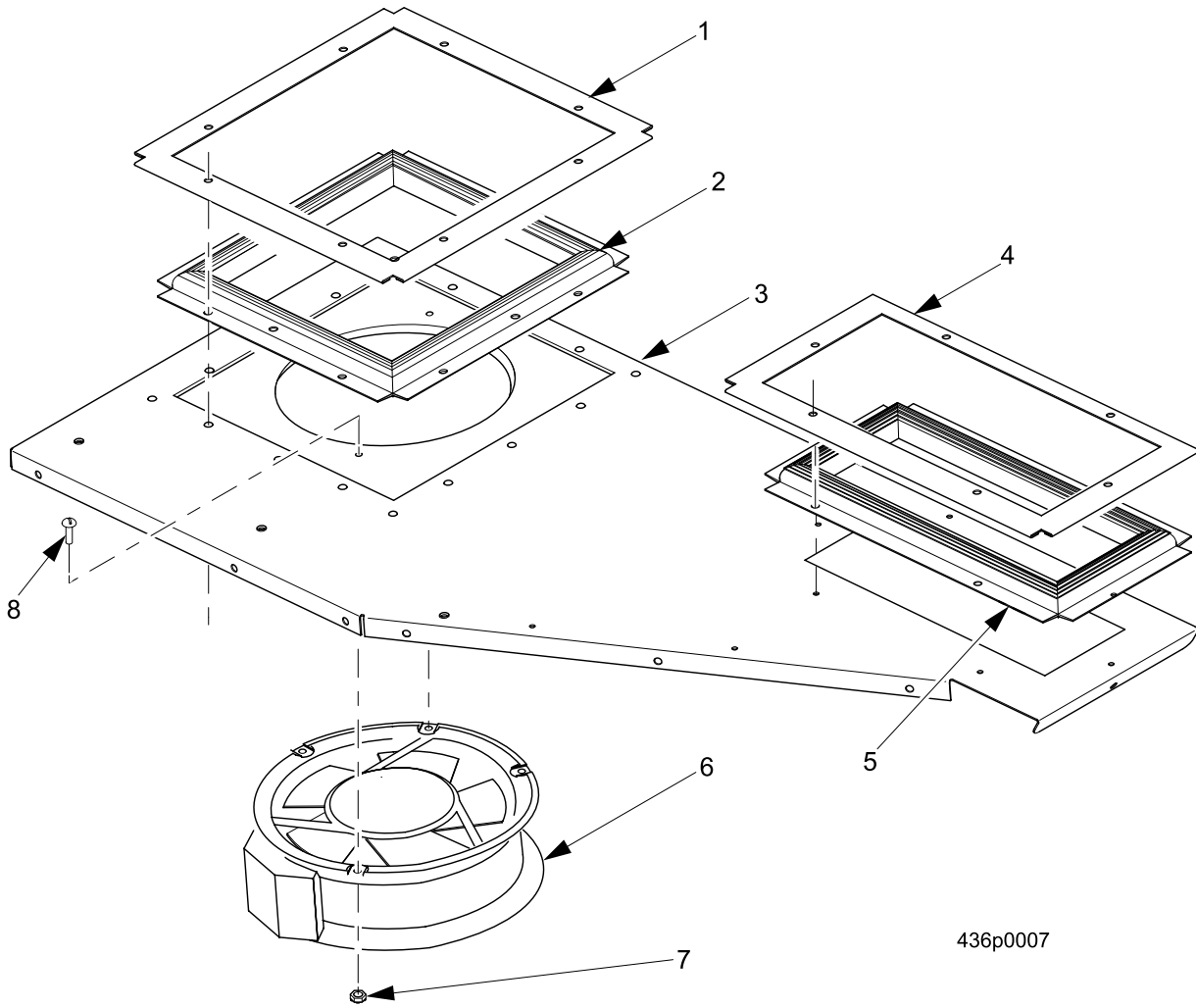


436p0005

Figure 24. Refrigeration - Part 1

TABLE 24. REFRIGERATION - PART 1

| INDEX | PART NUMBER | DESCRIPTION | QTY |
|-------|-------------|---------------------------------|-----|
| - | 4364005 | REFRIG. UNIT - 115/60 | 1 |
| | 4364006 | REFRIG. UNIT - 230/50 | |
| 1 | 4364046 | WRAPPER - COMPRESSOR | - |
| 2 | 4319008 | STARTER SOCKET ASSEMBLY | 2 |
| 3 | 4271057 | BUSHING - 1.0" - OPEN/CLOSED | 2 |
| 4 | 4031150 | STARTER FS - 4,FLUORESCENT LAMP | 2 |
| 5 | 4364045 | BAFFLE - CONDENSER | - |
| 6 | 4364049 | WALL - DIVIDER - CONDENSER | - |
| 7 | 4279015 | BALLAST ASSY - 13W - 115V | 2 |
| | 6396028 | BALLAST ASSY - 13 WATT - 230V | |
| 8 | 9984095 | BUSHING - OPEN/CLOSED - .625 | 1 |
| 9 | 4271143 | COVER - BALLAST | 1 |
| 10 | 4273046 | BUSHING - 3/4" SPLIT | - |
| 11 | 4364026 | CHASSIS & STUD ASSY. - REFR. | 1 |
| 12 | 4614027 | IN SEAL - 1.00 X .87 | - |



436p0007

Figure 25. Refrigeration - Part 2

TABLE 25. REFRIGERATION - PART 2

| INDEX | PART NUMBER | DESCRIPTION | QTY |
|-------|-------------|--------------------------------------|-----|
| 1 | 4364048 | RETAINER - GASKET - SUPPLY | 1 |
| 2 | 4364011 | GASKET-EVAPORATOR-SUPPLY | -- |
| 3 | 4364056 | WRAPPER - EVAPORATOR - TOP | |
| 4 | 4364047 | RETAINER - GASKET - RETURN | 1 |
| 5 | 4364010 | GASKET-EVAPORATOR-RETURN | -- |
| 6 | 4364019 | FAN - EVAPORATOR - AXIAL - 230/50 HZ | 1 |
| | 4314014 | FAN - EVAPORATOR - AXIAL (115 V) | |
| 7 | 4402043 | NUT-#8-32 W/L.W.-S.S. | - |
| 8 | 9900115 | SCREW #8-32 X 3/4 RHS | - |

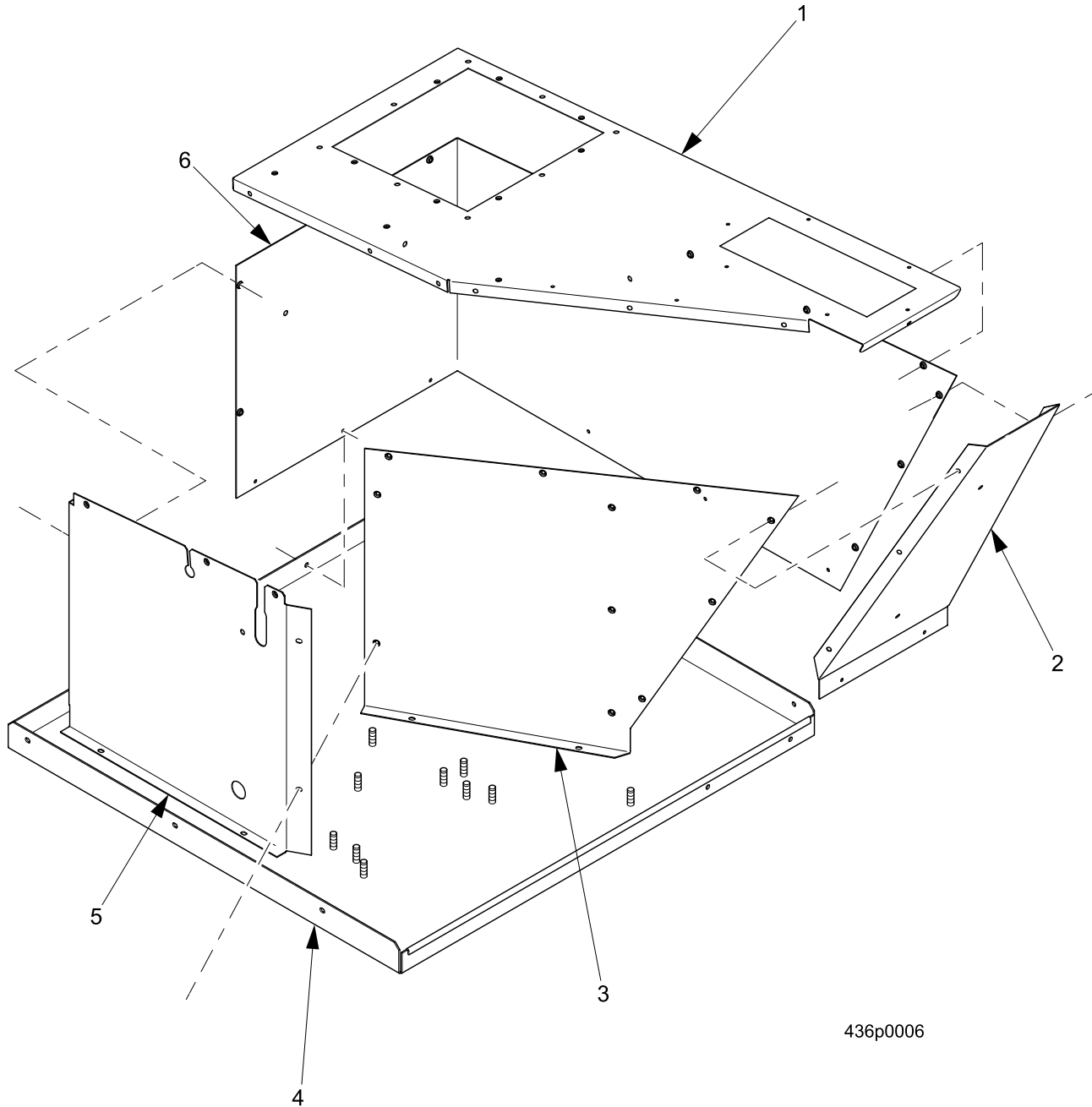


Figure 26. Refrigeration - Part 3

TABLE 26. REFRIGERATION - PART 3

| INDEX | PART NUMBER | DESCRIPTION | QTY |
|-------|-------------|----------------------------------|-----|
| 1 | 4364056 | WRAPPER - EVAPORATOR - TOP | 1 |
| 2 | 4364024 | WRAPPER - EVAPORATOR - FRONT | 1 |
| 3 | 4364029 | WRAPPER - EVAP. - CENTER - FRONT | 1 |
| 4 | 4364026 | CHASSIS & STUD ASSY. - REFR. | 1 |
| 5 | 4364030 | WRAPPER - EVAP. - CENTER - REAR | 1 |
| 6 | 4364025 | WRAPPER - EVAPORATOR - OUTER | 1 |

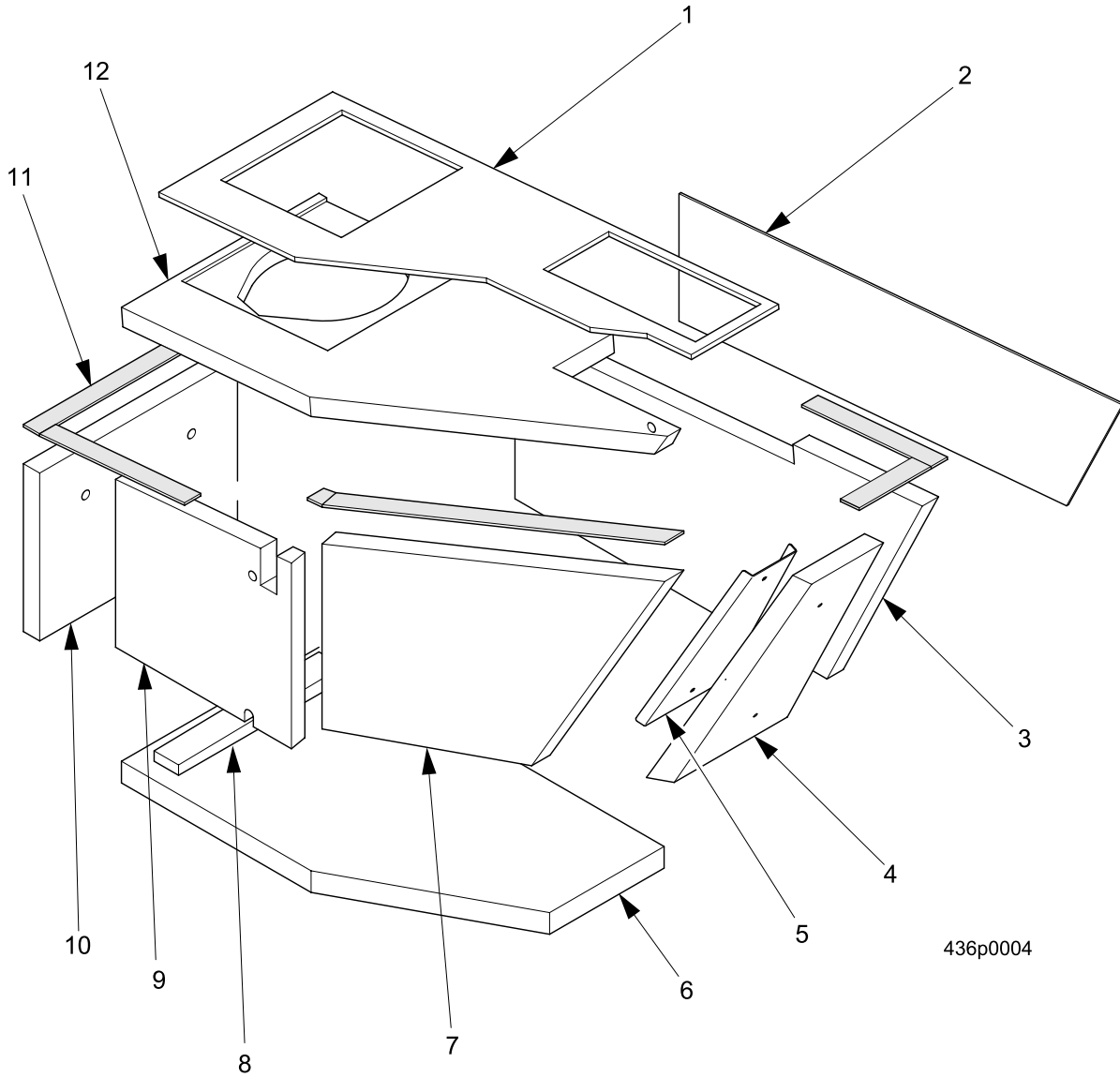
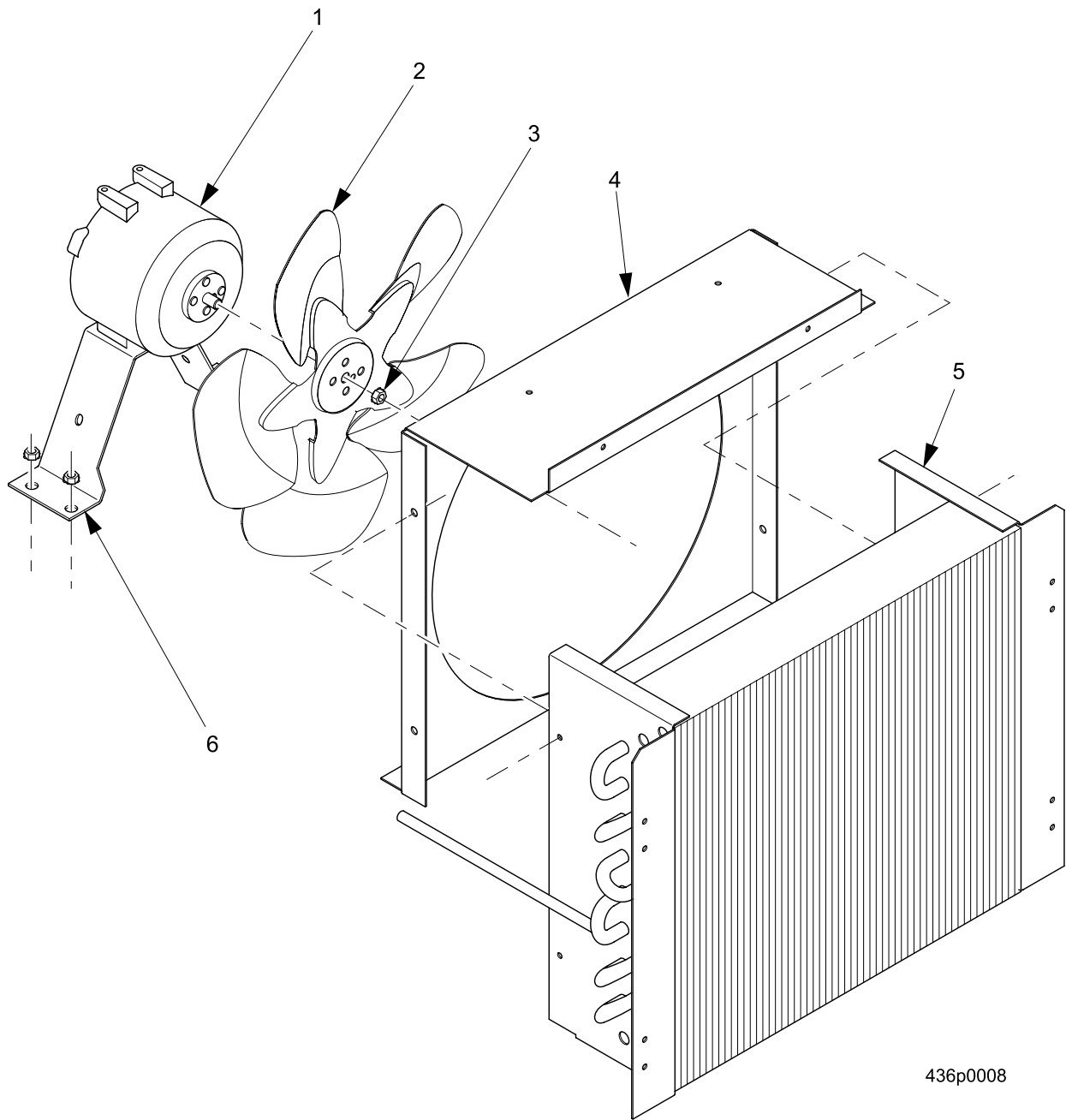


Figure 27. Insulation

TABLE 27. INSULATION

| INDEX | PART NUMBER | DESCRIPTION | QTY |
|-------|-------------|------------------------------------|-------|
| 1 | 4364051 | INSULATION - .25 - COVER - OUTER | - |
| 2 | 4364069 | INSULATION - .12 - SIDE - OUTER | - |
| 3 | 4364013 | INSULATION - 1.00 - RIGHT | - |
| 4 | 4364018 | INSULATION - 1.00 - FRONT | - |
| 5 | 4364028 | RETAINER - INSULATION - FRONT | 1 |
| 6 | 4364012 | INSULATION - 1.15 - BOTTOM | |
| 7 | 4364016 | INSULATION - 1.00 - CENTER - FRONT | - |
| 8 | 4314105 | SHIM - FRONT | - |
| 9 | 4364017 | INSULATION - 1.00 - CENTER - REAR | 1 |
| 10 | 4364015 | INSULATION - 1.00 - REAR | - |
| 11 | 4551173 | TAPE-FOAM-1.00W X .38TH | 68.5" |
| 12 | 4364057 | INSULATION - 1.00 - TOP | - |

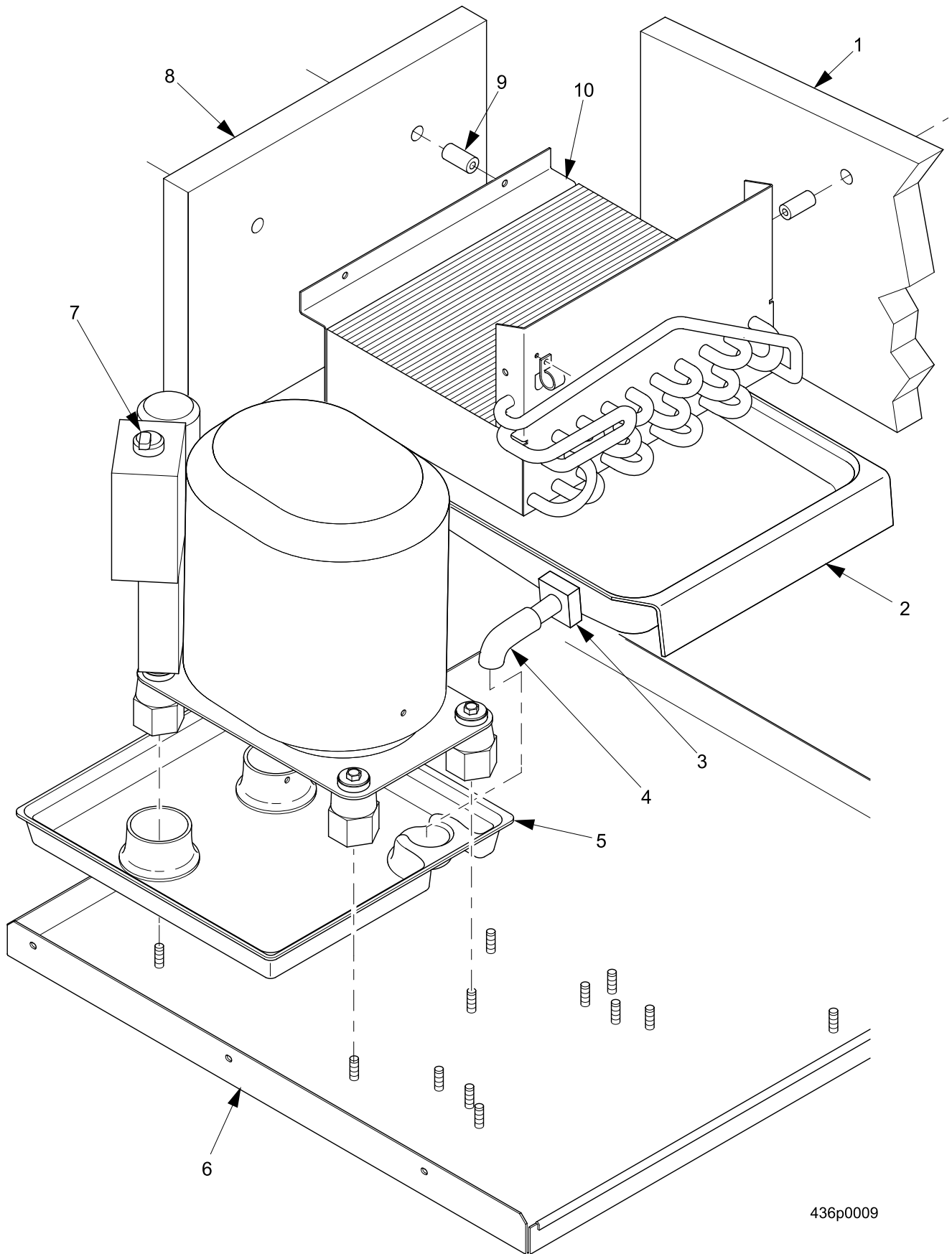


436p0008

Figure 28. Refrigeration - Part 4

TABLE 28. REFRIGERATION - PART 4

| INDEX | PART NUMBER | DESCRIPTION | QTY |
|-------|-------------|---|-----|
| 1 | 4304231 | MOTOR - CONDENSER - 16 WATT (115 V) | 1 |
| | 4364066 | MOTOR - FAN - CONDENSER - 18W - 230V | |
| 2 | 4364068 | BLADE - FAN - CONDENSER - 9.75 DIA. (115 V) | 1 |
| | 4364067 | BLADE - FAN - CONDENSER - 9.75 DIA. (230 V) | |
| 3 | 1211105 | 1/4-20 KEPS NUT EXT LW ZP | - |
| 4 | 4364065 | SHROUD - CONDENSER | 1 |
| 5 | 4364001 | CONDENSER - .312 DIA. - 3R - 24T - 1 X.625 | 1 |
| 6 | 4274055 | BRACKET - MOTOR - FAN | 1 |



436p0009

Figure 29. Refrigeration - Part 5

TABLE 29. REFRIGERATION - PART 5

| INDEX | PART NUMBER | DESCRIPTION | QTY |
|-------|-------------|---------------------------------------|-----|
| 1 | 4364013 | INSULATION - 1.00 - RIGHT | 1 |
| 2 | 4364004 | PAN & TUBE ASSY. - CONDENSATE | 1 |
| 3 | 4314114 | SEAL - TUBE - DRAIN | 1 |
| 4 | 4274082 | TUBE - DRAIN - CONDENSATE | 1 |
| 5 | 4364002 | PAN - EVAPORATION | 1 |
| 6 | 4364026 | CHASSIS & STUD ASSY. - REFR. | 1 |
| 7 | 4304151 | BUSHING-STRAIN RELIEF | - |
| 8 | 4364015 | INSULATION - 1.00 - REAR | 1 |
| 9 | 4274009 | SPACER - NYLON - 1.0L X .5 OD | - |
| 10 | 4364058 | EVAPORATOR - .375 DIA. - 3R - 28T - 1 | 1 |

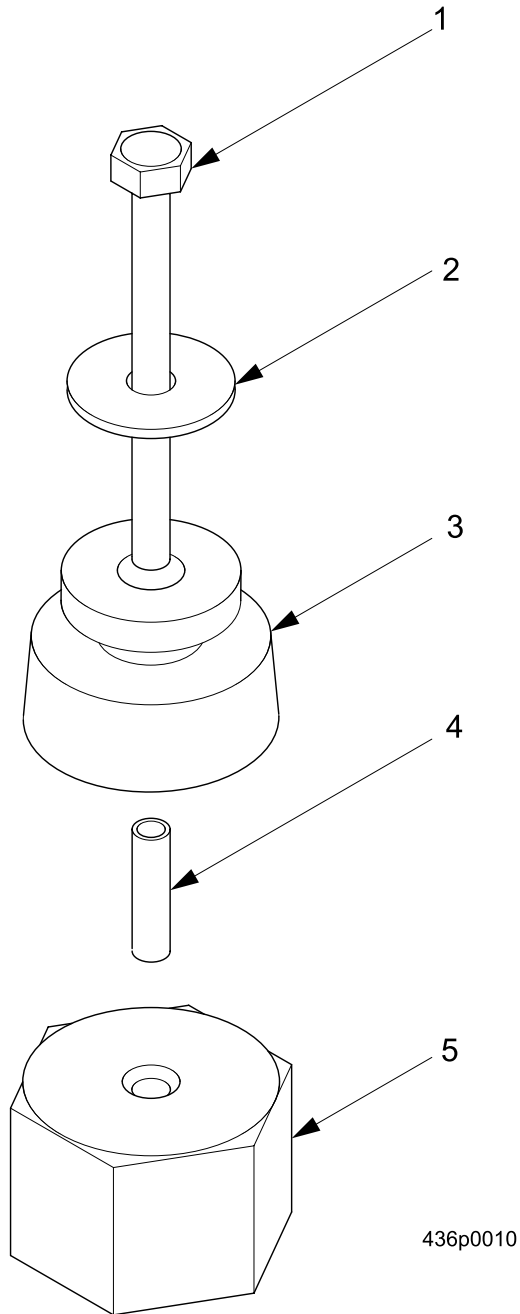


Figure 30. Refrigeration - Part 6

TABLE 30. REFRIGERATION - PART 6

| INDEX | PART NUMBER | DESCRIPTION | QTY |
|-------|-------------|--------------------------------------|-----|
| 1 | 4364022 | SCREW - .25 - 20 X 1.5L. - HEX SER.W | 4 |
| 2 | 4304236 | WASHER - .88 O.D.X.38 I.D.X.063 | 4 |
| 3 | 4254027 | GROMMET - 15/16 HEIGHT | 4 |
| 4 | 4254028 | SLEEVE - 55/64 LENGTH | 4 |
| 5 | 4364007 | SPACER - COMPRESSOR | 4 |

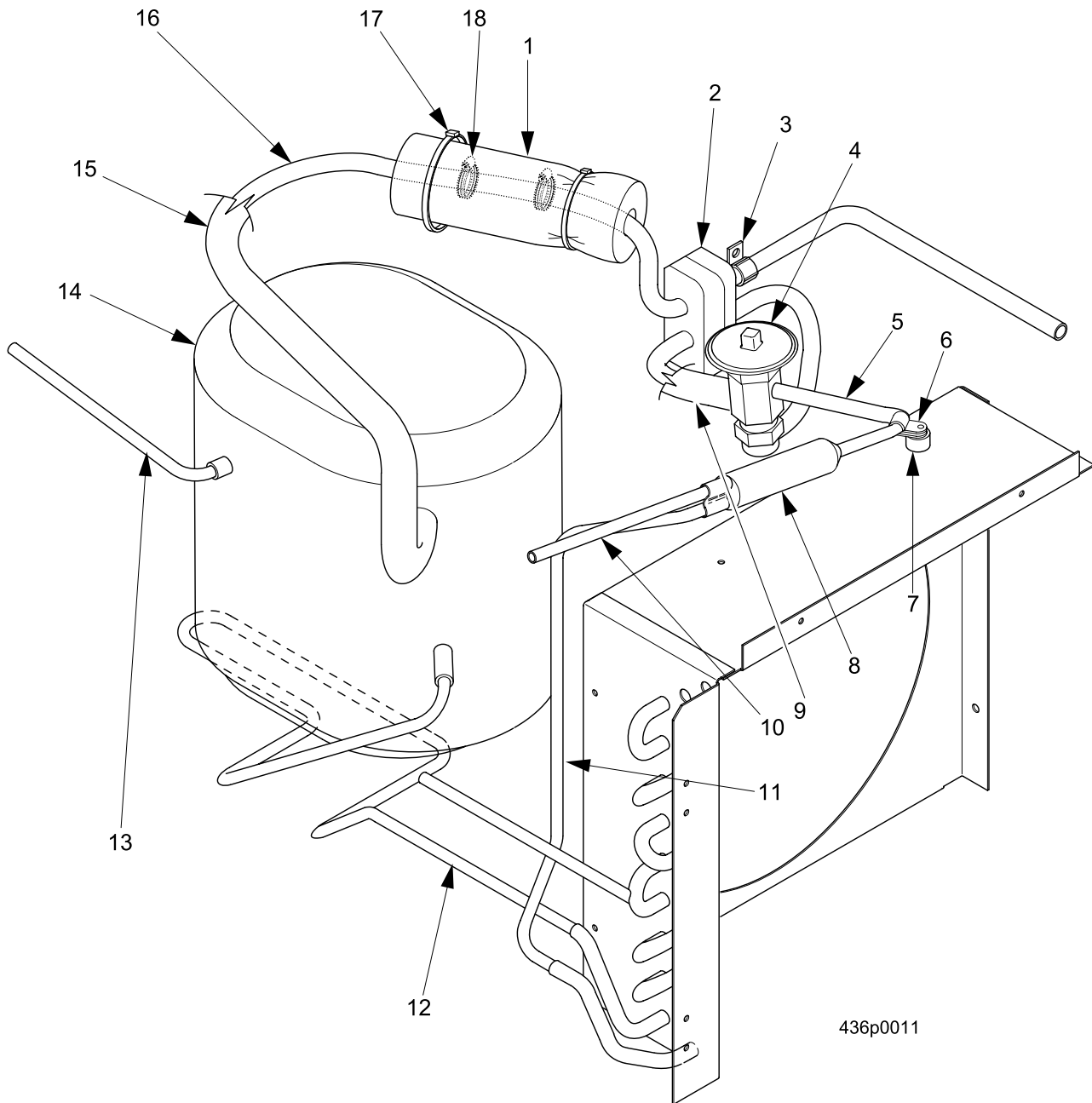


Figure 31. Refrigeration - Part 7

TABLE 31. REFRIGERATION - PART 7

| INDEX | PART NUMBER | DESCRIPTION | QTY |
|-------|-------------|------------------------------------|------|
| 1 | 3124083 | INSULATION - VALVE - BULB | 1 |
| 2 | 4364008 | SEAL - TUBE - EVAPORATOR | 2 |
| 3 | 1452139 | RETAINER - HARNESS | 1 |
| 4 | 4274176 | TXV VALVE - BIJ - 1/8T | 1 |
| 5 | 4364061 | TUBE - DRIER TO TXV | 1 |
| 6 | 1211161 | CABLE CLAMP - RICHCO#N4 | 1 |
| 7 | 4302134 | SPACER - P.C.BOARD | 1 |
| 8 | 4364034 | FILTER/DRIER - REFRIGERANT | 1 |
| 9 | 3104053 | TAPE-INSULATION | - |
| 10 | 4364044 | TUBE - PROCESS - STUB | 1 |
| 11 | 4364060 | TUBE - CONDENSER TO DRIER | |
| 12 | 4364041 | TUBE - COMP.TO CONDENSER | 1 |
| 13 | 4364043 | TUBE - PROCESS - EL | 1 |
| 14 | 4274000 | COMPRESSOR - AKA4460YXA 115V 60 HZ | 1 |
| | 4314055 | COMPRESSOR - 220V - R134A | |
| 15 | 9072706 | TUBING UNICELLULAR 3/8 ID X | 1.7' |
| 16 | 4364059 | TUBE - EVAPORATOR TO COMPRESSOR | 1 |
| 17 | 3114114 | WIRE TIE RICHCO#BT-10-10-BL | 2 |
| 18 | 3154059 | CLAMP-STAINLESS STEEL | 2 |

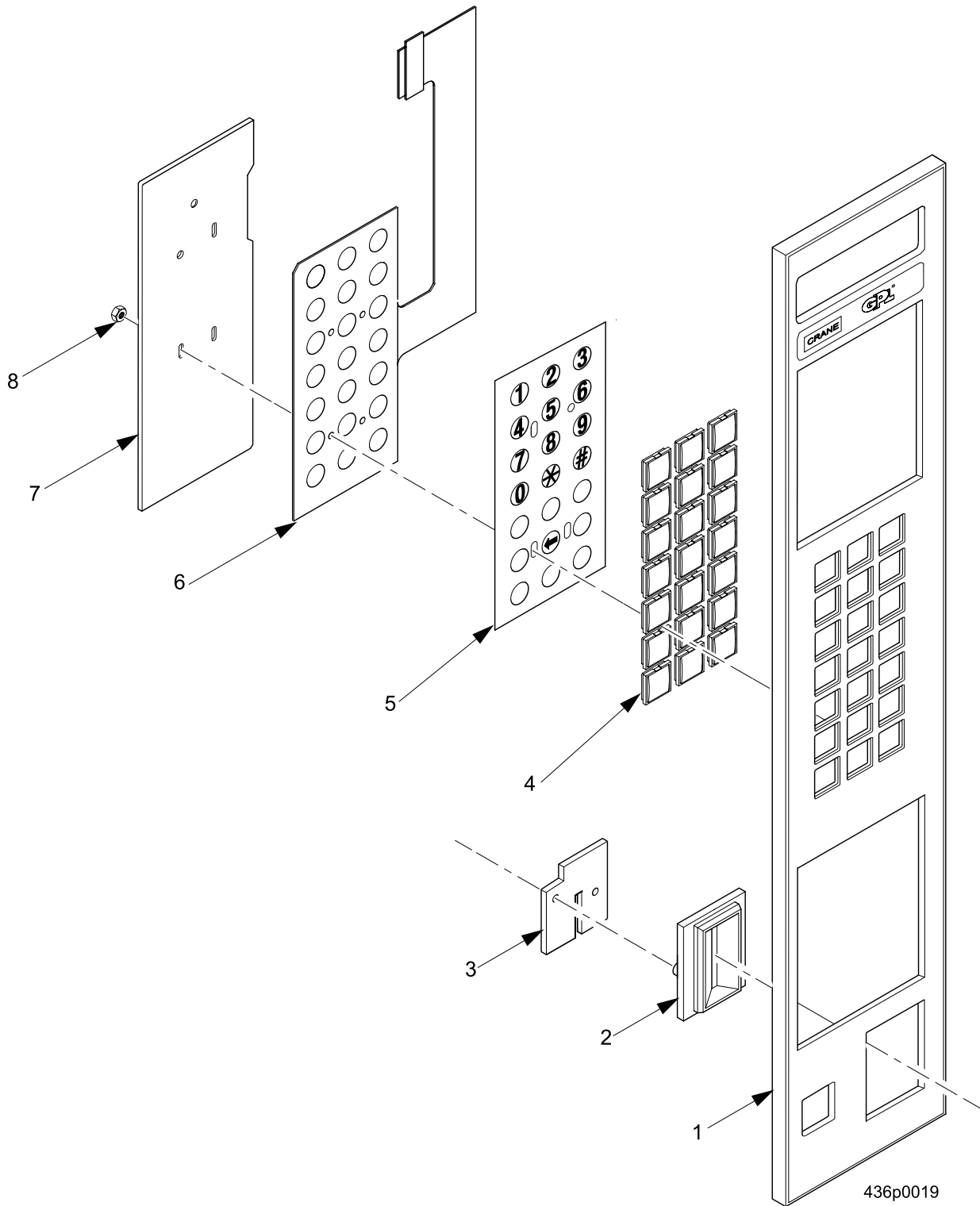
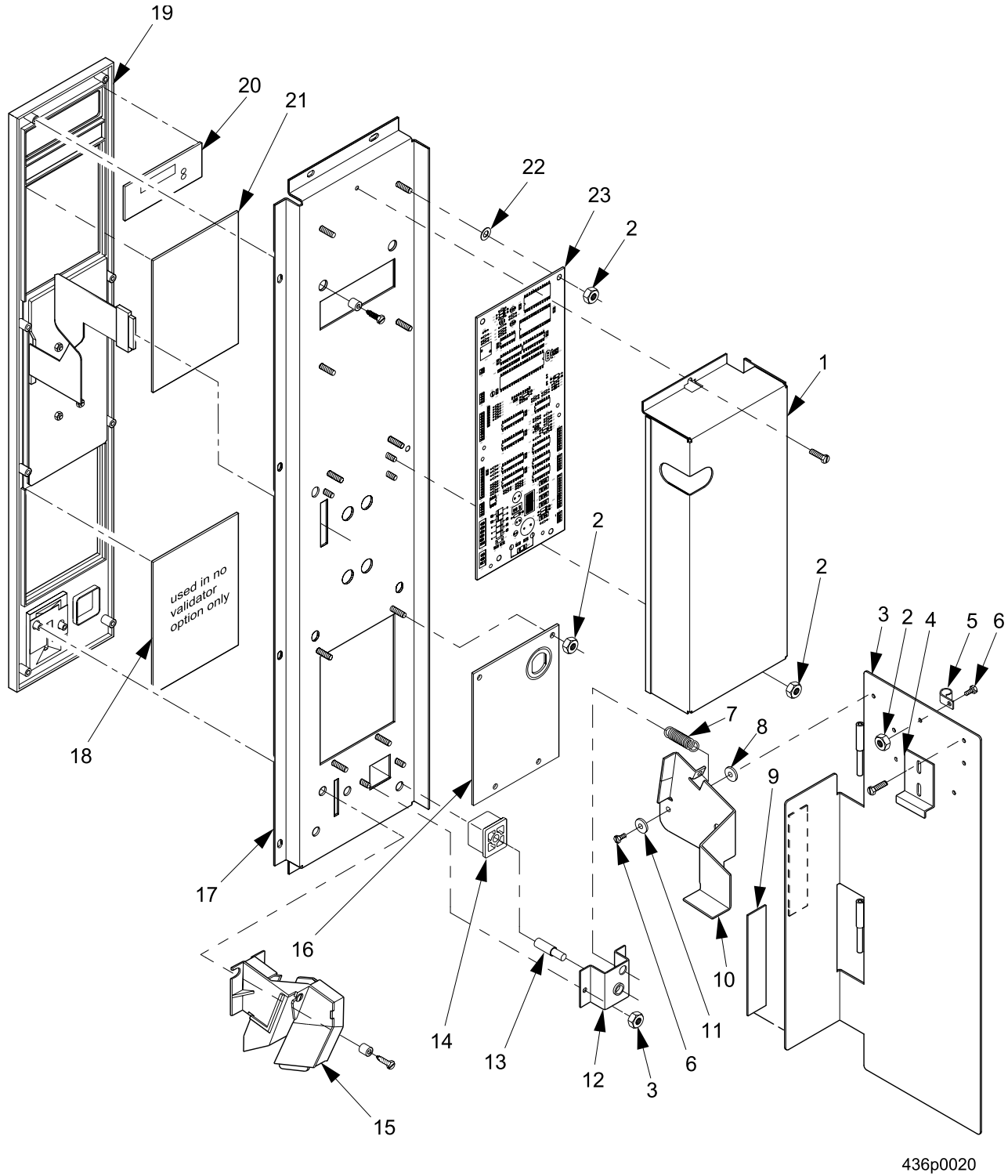


Figure 32. Monetary - Part 1

TABLE 32. MONETARY - PART 1

| INDEX | PART NUMBER | DESCRIPTION | QTY. |
|-------|-------------|--|------|
| - | 4275023 | FACE PLATE ASSEMBLY - GPL - (U.S.) | 1 |
| | 4275025 | FACEPLATE ASSEMBLY - POLYVEND | |
| 1 | 1595013 | FRAME - MONETARY PANEL - GPL | 1 |
| | 4525002 | FACEPLATE - MONETARY PANEL - POLYVEND | |
| 2 | 1472223 | COIN INSERT | 1 |
| 3 | 1472222 | COIN BLOCK (U.S./MEXICO ONLY) | 1 |
| 4 | 1472251 | LENS - PUSH BUTTON | 21 |
| 5 | 4270017 | LETTER SHEET - SELECT SWITCH | 1 |
| 6 | 9984621 | MEMBRANE SWITCH ASSEMBLY - SELECT | 1 |
| 7 | 1575091 | PLATE - SELECT SWITCH - BACK UP - W/STUD | 1 |
| 8 | 1475089 | 1/8 NUT - SELF - THREADING | 4 |

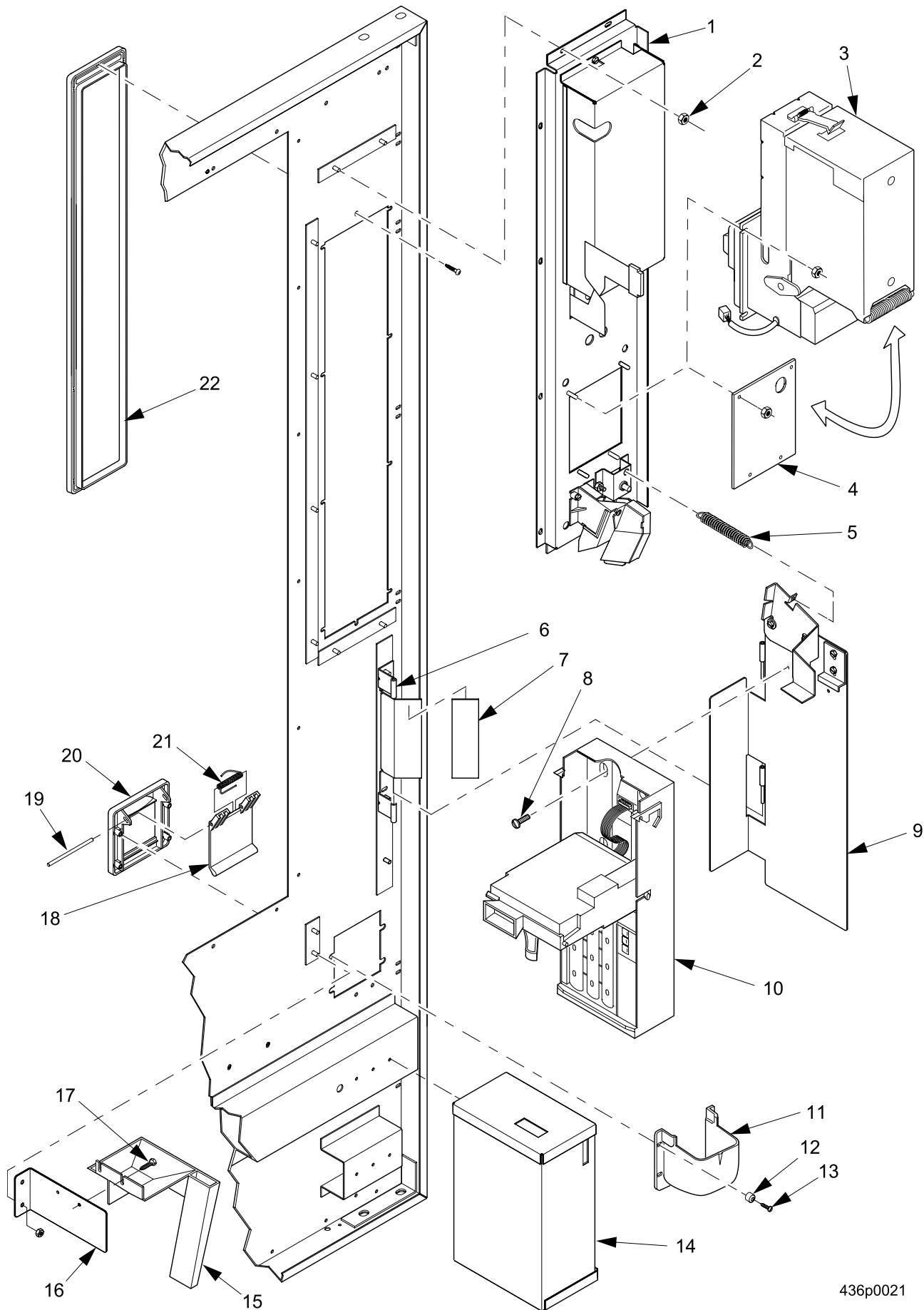


436p0020

Figure 33. Monetary - Part 2

TABLE 33. MONETARY - PART 2

| INDEX | PART NUMBER | DESCRIPTION | QTY. |
|-------|-------------|--|------|
| 1 | 4272066 | COVER - CONTROL/INTERFACE PCB | 1 |
| 2 | 9900081 | NUT #8 - 32 KEPS ZINC PLATE | - |
| 3 | 4362025 | MOUNTING ASSY - CHANGER PLATE | 1 |
| 4 | 6231037 | CLAMP - CABLE | 1 |
| 5 | 4305043 | HARNESS CLIP - 1.00 | 1 |
| 6 | 9900106 | SCREW #8 - 32 X 3/8 ACORN HEX HD | - |
| 7 | 1127808 | SPRING - SHELF RESET | 1 |
| 8 | 2204093 | WASHER - SCAVENGER BAR | 1 |
| 9 | 3122056 | MAGNET-RETAINR-COIN CHANGER KB | 2 |
| 10 | 1571113 | ARM - SCAVENGER | 1 |
| 11 | 2228011 | SPACER - RELEASE ARM | 2 |
| 12 | 1571079 | BRACKET - COIN RETURN BUTTON | 1 |
| 13 | 1475072 | SHAFT - RETURN BUTTON | 1 |
| 14 | 1475026 | BUTTON - COIN RETURN | 1 |
| 15 | 1575003 | COIN CHUTE ASSEMBLY | 1 |
| 16 | 1575048 | PLATE - INSERT BACKING | 1 |
| 17 | 4275022 | PLATE ASSEMBLY - MONETARY | 1 |
| 18 | 1575035 | INSERT - INSTR - LOWER - ENGLISH | 1 |
| 19 | - | FACE PLATE ASSEMBLY (SEE FIGURE 32) | - |
| 20 | 4272003 | LENS - DISPLAY | 1 |
| 21 | 4275006 | INSERT - INSTRUCTIONS - ENGLISH | 1 |
| 22 | 5305318 | WASHER - .257X.50X.062 | 6 |
| 23 | 4366000 | PCB ASSEMBLY W/EPROM (INCLUDES THE NEXT TWO ITEMS) | 1 |
| - | 9989744 | PCB ASSEMBLY - GPL MAIN CONTROL | 1 |
| - | - | EPROM ASSEMBLY (SOFTWARE VERSIONS WILL VARY. CHECK THE LABEL ON YOUR EPROM BEFORE ORDERING.) | 1 |



436p0021

Figure 34. Monetary - Part 3

TABLE 34. MONETARY - PART 3

| INDEX | PARTNUMBER | DESCRIPTION | QTY. |
|-------|------------|---|------|
| 1 | - | MONETARY ASSEMBLY (SEE FIGURE 33) | 1 |
| 2 | 9900081 | NUT #8 - 32 KEPS ZINC PLATE | - |
| 3 | - | BILL VALIDATOR (SEE TABLE 36) | OPT. |
| 4 | 1575048 | PLATE - INSERT BACKING | OPT. |
| 5 | 1127808 | SPRING - SHELF RESET | 1 |
| 6 | 4362027 | MOUNTING ASSY - CHANGER BASE | 1 |
| 7 | 3122056 | MAGNET - RETAINR - COIN CHANGER KB | 3 |
| 8 | 9900160 | SCREW - #8 - 18 X 1/2"PHIL.PAN HD. | - |
| 9 | 4362025 | MOUNTING ASSY - CHANGER PLATE (SEE FIGURE 33) | 1 |
| 10 | - | COIN MECHANISM (SEE TABLE 35) | OPT. |
| 11 | 1572010 | CUP - COIN RETURN (U.S./MEXICO) | 1 |
| | 7212154 | CUP ASSY - COIN RETURN - METAL (U.K.) (NOT SHOWN) | |
| 12 | 2302053 | SPACER - CUP | 4 |
| 13 | 9900160 | SCREW - #8 - 18 X 1/2"PHIL.PAN HD. | - |
| 14 | - | MONEY BOX AND HOUSING ASSEMBLY (SEE FIGURE 37) | 1 |
| 15 | 6231242 | CHUTE - PAYOUT | 1 |
| 16 | 4275001 | MOUNT - PAYOUT CHUTE | 1 |
| 17 | 1451097 | SCREW - # 8-32X.31 HEX HD.TF - BLK. | - |
| 18 | 4245082 | GATE - COIN RETURN (U.S./MEXICO) | 1 |
| | 7212191 | GATE - COIN RETURN DOOR - STAINLES (U.K.) (NOT SHOWN) | |
| 19 | 4245084 | SHAFT - DOOR - COIN RETURN | 1 |
| 20 | 1572011 | TRIM - COIN CUP - BLACK | 1 |
| 21 | 4245083 | SPRING - COIN RETURN DOOR | 1 |
| 22 | 1575106 | CASTING - MONETARY FRAME - BLACK | 1 |

TABLE 35. COIN UNIT OPTIONS

| PART NUMBER | DESCRIPTION |
|-------------|--------------------------------------|
| 5900244 | COIN UNIT - COINCOUSD - G701MD |
| 5900205 | VALIDATOR - MARSVN2512 - U5E24 |
| 6400002 | COIN CHANGER - MARS# TRC6010XV |
| 5900243 | COIN UNIT - TRC6512,1195500,CN |
| 5900213 | COIN UNIT - COINCO - 9302GXMDB |
| 5900209 | COIN - CONLUXUSLZ - 001"MDB" |
| 5900210 | VAL.MARS - VN2512 - U5M/500K |
| 5900243 | COIN UNIT - TRC6512,1195500,CN |
| 5900213 | COIN UNIT - COINCO - 9302GXMDB |
| 5900272 | VAL. - COINCOBA30SA(OBS) |
| 5900214 | COIN UNIT - MEI - VN4510 - MDB - CNS |
| 5900192 | COIN - CONLUXUSLX00401F |
| 5900237 | COIN MECH - CONLUXUSLX - 001 |
| 5900279 | COIN MECH - CONLUXCCM5G - 4 |
| 5900276 | COIN UNIT - VN4510 - 5/10/25/25 |
| 5900269 | COINCO USQ - G701 - MDB - 4TUBE |

TABLE 36. BILL VALIDATOR OPTIONS

| PART NUMBER | DESCRIPTION |
|-------------|----------------------------------|
| 5900267 | BILL VAL - CONLUX NBM3140MDB - 4 |
| 5900284 | VAL - COINCO - MAGPRO - 30SA |
| 5900285 | VAL - COINCO - MAGPRO - 32SA |
| 5900247 | VAL - MARS AE2612 - U5M**MDB** |
| 5900210 | VAL.MARS - VN2512 - U5M/500 K |
| 5900283 | VAL - COINCO - MAGPRO - 32R |

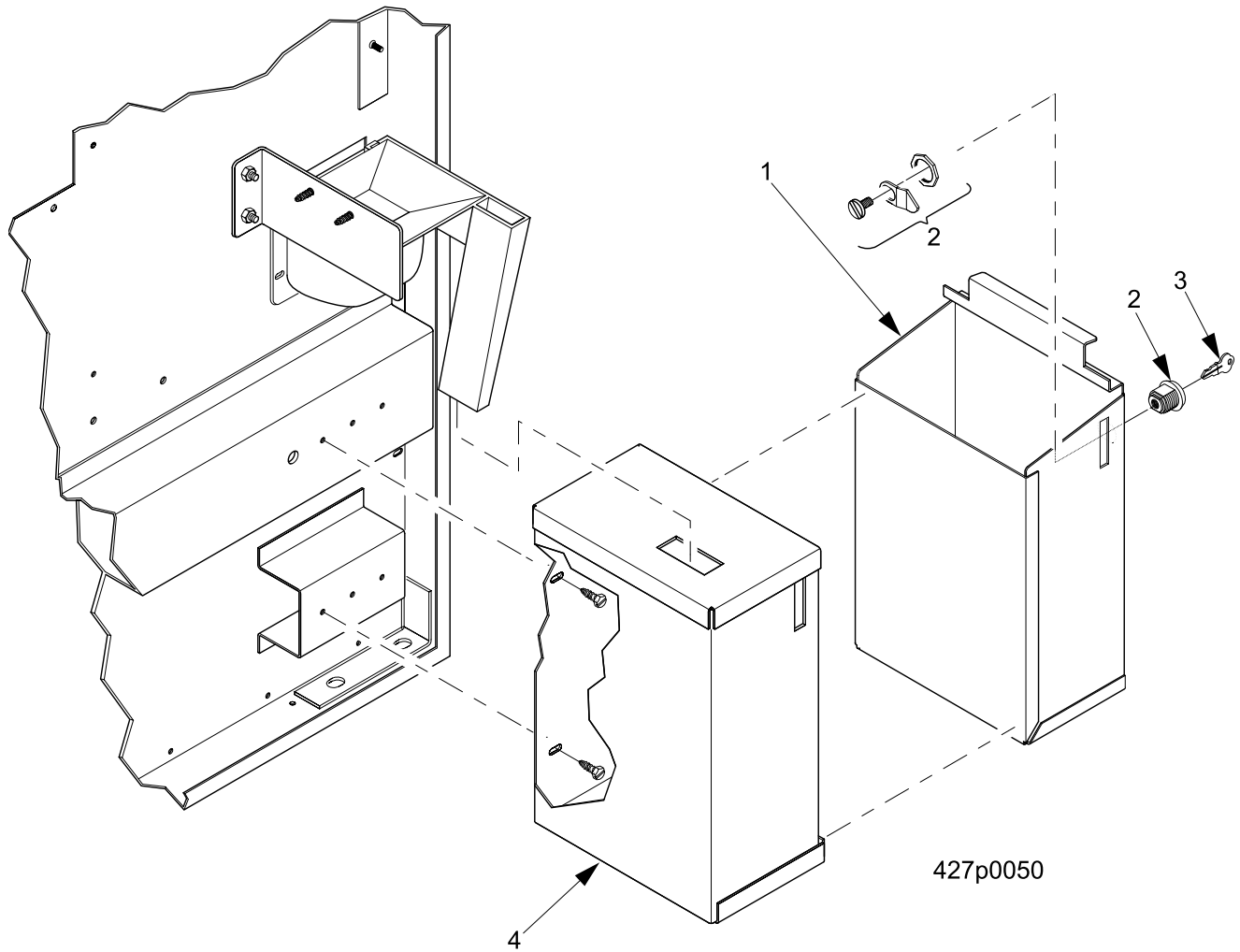


Figure 37. Money Box Assembly

TABLE 37. MONEY BOX ASSEMBLY

| INDEX | PART NUMBER | DESCRIPTION | QTY. |
|-------|-------------|---|------|
| 1 | 4271031 | MONEY BOX ASSEMBLY | 1 |
| 2 | 4520864 | MONEY BOX LOCK (INCLUDES ITEM 3) | 1 |
| 3 | 4521035 | KEY, MSU - 48, #352 - 48 (PART OF ITEM 2) | 1 |
| 4 | 4275005 | COIN BOX HOUSING ASSEMBLY | 1 |

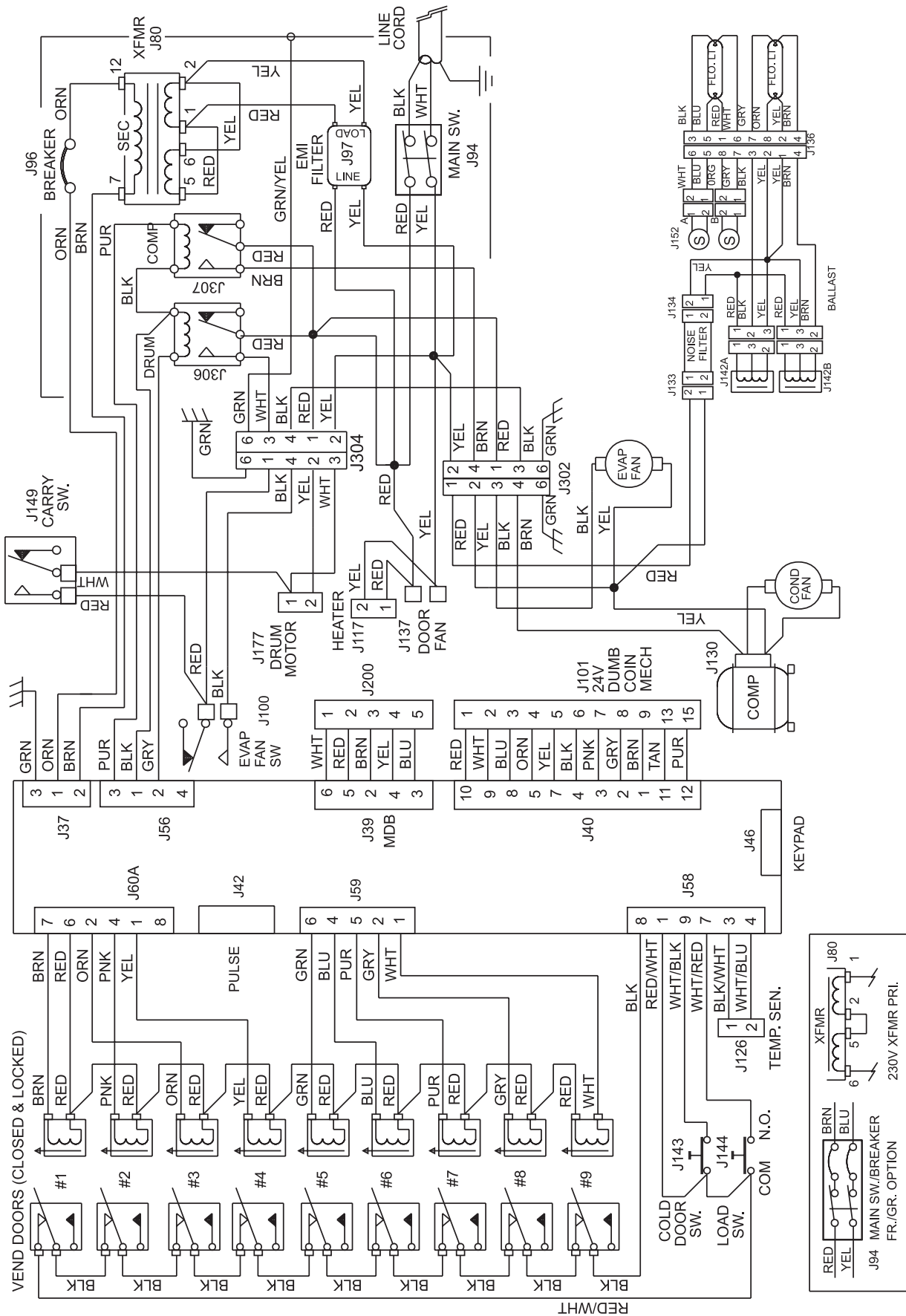


Figure 38. Wiring Harnesses

TABLE 38. WIRING HARNESES

| CONNECTOR | PART NUMBER | DESCRIPTION |
|-----------|-------------|---------------------------------|
| J37 | 4279004 | HARNESS - POWER & RELAYS TO PCB |
| J39 | 4279009 | HARNESS COINCO BA32SA |
| J40 | 4279013 | HARNESS 24V DUMB MECH |
| J42 | 4279008 | HARNESS 24V MARS PULSE |
| J56 | 4279004 | HARNESS - POWER & RELAYS TO PCB |
| J58 | 4369002 | HARNESS SOLENOIDS |
| J58 | 4369005 | JUMPER - COLD DOOR |
| J59 | 4369002 | HARNESS SOLENOIDS |
| J60 | 4369002 | HARNESS SOLENOIDS |
| J80 | 4279004 | HARNESS - POWER & RELAYS TO PCB |
| J94 | 4279033 | HARNESS AC POWER AND PANEL |
| J96 | 4279004 | HARNESS - POWER & RELAYS TO PCB |
| J97 | 4279033 | HARNESS AC POWER & PANEL |
| J100 | 4279030 | HARNESS COLD AC |
| J101 | 4279013 | HARNESS 24V DUMB MECH |
| J126 | 4369002 | HARNESS SOLENOIDS |
| J130 | 4369000 | HARNESS REFRIGERATION ASSY |
| J133 | 4369000 | HARNESS REFRIGERATION ASSY |
| J134 | 4279003 | HARNESS FLST LIGHTS & POWER |
| J136 | 4279005 | HARNESS FLST LIGHTS |
| J137 | 4279014 | HARNESS DOOR FAN |
| J142 | 4279003 | HARNESS FLST LIGHT & POWER |
| J143 | 4369002 | HARNESS SOLENOIDS |
| J143 | 4369005 | JUMPER - COLD DOOR |
| J144 | 4369002 | HARNESS SOLENOIDS |
| J149 | 4279030 | HARNESS COLD AC |
| J152 | 4279003 | HARNESS FLST LIGHT & POWER |
| J177 | 4279030 | HARNESS COLD AC |
| J200 | 4279009 | HARNESS COINCO BA32SA |
| J302 | 4369000 | HARNESS REFRIGERATION ASSY |
| J304 | 4279004 | HARNESS - POWER & RELAYS TO PCB |
| J306 | 4279004 | HARNESS - POWER & RELAYS TO PCB |
| J307 | 4279004 | HARNESS - POWER & RELAYS TO PCB |

NOTE:

If the wiring diagram and/or harness list included with your machine is different from those shown in this manual, use the newest information.

TABLE 39. BAG ASSEMBLY - U.S./CANADA

| PART NUMBER | DESCRIPTION | QTY |
|-------------|------------------------------------|-----|
| WD436001 | WIRING DIAGRAM - 436 - 115V/230V | 1 |
| 4270022 | COLUMN NUMBER CARD | - |
| 4270025 | LABEL - LOCATE FOOD HERE | 1 |
| 4270048 | LABELS - PRICE - DOM. - 40 CENTS T | 1 |
| 4360001 | SETUP MANUAL - DELI SHOP | 1 |
| 4360002 | INSTR - DELI SHOP MONETARY SET | 1 |
| 4369001 | LIST - WIRE HARNESSSES | 1 |

TABLE 40. BAG ASSEMBLY - U.K.

| PART NUMBER | DESCRIPTION | QTY |
|-------------|--------------------------------------|-----|
| WD436001 | WIRING DIAGRAM - 436 - 115V/230V | 1 |
| 1575083 | COIN CHUTE & BRACKET ASSEMBL | 1 |
| 1575086 | INSTR.SHEET - COIN CHUTE & BRK | 1 |
| 4270022 | COLUMN NUMBER CARD | - |
| 4270025 | LABEL - LOCATE FOOD HERE | 1 |
| 4290004 | LABELS - PRICE - U.K. - 25P TO 2L6 | 1 |
| 4290005 | LABELS - PRICE - U.K. - 2L65P - 3L10 | 1 |
| 4360001 | SETUP MANUAL - DELI SHOP | 1 |
| 4360002 | INSTR - DELI SHOP MONETARY SET | 1 |
| 4369001 | LIST - WIRE HARNESSSES | 1 |

TABLE 41. BAG ASSEMBLY - MEXICO

| PART NUMBER | DESCRIPTION | QTY |
|-------------|------------------------------------|-----|
| WD436001 | WIRING DIAGRAM - 436 - 115V/230V | 1 |
| 4270022 | COLUMN NUMBER CARD | - |
| 4270025 | LABEL - LOCATE FOOD HERE | 1 |
| 4270048 | LABELS - PRICE - DOM. - 40 CENTS T | 1 |
| 4360001 | SETUP MANUAL - DELI SHOP | 1 |
| 4360002 | INSTR - DELI SHOP MONETARY SET | 1 |
| 4369001 | LIST - WIRE HARNESSSES | 1 |

| Part Number | Page | Part Number | Page | Part Number | Page |
|--------------------|---------------------------------------|--------------------|-------------|--------------------|-------------|
| 1127808 | 67, 69 | 2228011 | 67 | 4271108X | 23, 47 |
| 1141046 | 11, 13 | 2272052 | 7 | 4271129 | 31 |
| 1171021 | 35 | 2302053 | 69 | 4271130 | 43 |
| 1172190 | 7 | 3104053 | 63 | 4271143 | 49 |
| 1172191 | 7 | 3104056 | 41 | 4271151 | 27 |
| 1211105 | 35, 57 | 3112163 | 7 | 4271152 | 27 |
| 1211112 | 37 | 3112164 | 7 | 4271154 | 47 |
| 1211141 | 25 | 3114114 | 63 | 4271163 | 43 |
| 1211161 | 17, 63 | 3122056 | 67, 69 | 4271166 | 47 |
| 1212140 | 11 | 3124083 | 63 | 4271173 | 47 |
| 1217159 | 11, 29 | 3154059 | 63 | 4272002 | 13 |
| 1302289 | 7 | 3157060 | 15, 29, 31 | 4272003 | 67 |
| 1302291 | 7 | 3502078 | 47 | 4272040 | 3 |
| 1302324 | 7 | 3502097 | 11, 17 | 4272052 | 11 |
| 1302326 | 7 | 4031148 | 29 | 4272053 | 11 |
| 1401110 | 21 | 4031150 | 49 | 4272060 | 11 |
| 1411194 | 33 | 4042094 | 47 | 4272066 | 67 |
| 1411195 | 33 | 4112095 | 19 | 4272069 | 3 |
| 1451056 | 31 | 4242145 | 37 | 4272093 | 17 |
| 1451097 | 15, 17, 19, 25, 29, 33, 41, 47, 69 | 4245082 | 69 | 4273019 | 21 |
| 1452139 | 17, 21, 63 | 4245084 | 69 | 4273021 | 19 |
| 1471098 | 37 | 4245186 | 21 | 4273023 | 19 |
| 1471237 | 37 | 4248083 | 69 | 4273039 | 15 |
| 1472222 | 65 | 4252029 | 21 | 4273044 | 17, 19 |
| 1472223 | 65 | 4254027 | 61 | 4273046 | 49 |
| 1472251 | 65 | 4254028 | 61 | 4273050 | 21 |
| 1475026 | 67 | 4270017 | 65 | 4273079 | 21 |
| 1475072 | 67 | 4270022 | 76 | 4273093 | 15 |
| 1475089 | 65 | 4270025 | 15, 76 | 4273106 | 19 |
| 1571074 | 33 | 4270048 | 76 | 4273112 | 19 |
| 1571079 | 67 | 4271001 | 47 | 4273114 | 19 |
| 1571113 | 67 | 4271002 | 47 | 4273115 | 19 |
| 1571195 | 37 | 4271004 | 47 | 4274000 | 63 |
| 1572010 | 69 | 4271031 | 73 | 4274009 | 59 |
| 1572011 | 69 | 4271037 | 35 | 4274055 | 57 |
| 1575003 | 67 | 4271048 | 31 | 4274082 | 59 |
| 1575035 | 67 | 4271055 | 47 | 4274176 | 63 |
| 1575048 | 67, 69 | 4271057 | 15, 17, 49 | 4275001 | 69 |
| 1575083 | 76 | 4271058 | 43 | 4275005 | 73 |
| 1575086 | 76 | 4271065 | 47 | 4275006 | 67 |
| 1575091 | 65 | 4271066 | 23, 33 | 4275022 | 67 |
| 1575106 | 69 | 4271077 | 33 | 4275023 | 65 |
| 1592031 | 3 | 4271080 | 47 | 4275025 | 65 |
| 1592032 | 3 | 4271081 | 41 | 4277004 | 43 |
| 1592068 | 3 | 4271086 | 29 | 4277008 | 47 |
| 1592069 | 3 | 4271088X | 23, 47 | 4277011 | 43 |
| 1595013 | 65 | 4271098 | 13 | 4277012 | 23, 43 |
| 2204093 | 67 | 4271103 | 33 | 4277013 | 47 |
| | | 4271105 | 33 | 4277024 | 45 |

| Part Number | Page | Part Number | Page | Part Number | Page |
|--------------------|-------------|--------------------|-------------|--------------------|-------------|
| 4277029 | 45 | 4361001 | 15 | 4364008 | 63 |
| 4277030 | 45 | 4361002 | 15 | 4364012 | 55 |
| 4277031 | 43 | 4361025 | 43 | 4364013 | 55, 59 |
| 4277038 | 47 | 4361026 | 29 | 4364015 | 55, 59 |
| 4277042 | 45 | 4361027 | 27 | 4364016 | 55 |
| 4277049 | 45 | 4361028 | 29 | 4364017 | 55 |
| 4277050 | 47 | 4361029 | 29 | 4364018 | 55 |
| 4277051 | 47 | 4361030 | 27 | 4364019 | 51 |
| 4277052 | 43 | 4361040 | 27 | 4364022 | 61 |
| 4277053 | 45 | 4361041 | 27 | 4364024 | 53 |
| 4277055 | 43 | 4361042 | 27 | 4364025 | 53 |
| 4277060 | 43 | 4361043 | 43 | 4364026 | 49, 53, 59 |
| 4279003 | 75 | 4361051 | 47 | 4364028 | 55 |
| 4279004 | 13, 75 | 4361059 | 25 | 4364029 | 53 |
| 4279005 | 75 | 4362006 | 11, 13 | 4364030 | 53 |
| 4279008 | 75 | 4362013 | 11 | 4364034 | 63 |
| 4279009 | 75 | 4362019 | 3, 5 | 4364041 | 63 |
| 4279013 | 75 | 4362025 | 67, 69 | 4364043 | 63 |
| 4279014 | 75 | 4362027 | 69 | 4364044 | 63 |
| 4279015 | 49 | 4362032 | 3, 11, 23 | 4364045 | 49 |
| 4279030 | 75 | 4362049 | 11, 13 | 4364046 | 49 |
| 4279033 | 13, 75 | 4362051 | 11 | 4364047 | 51 |
| 4290004 | 76 | 4362052 | 11 | 4364048 | 51 |
| 4290005 | 76 | 4362053 | 11 | 4364049 | 49 |
| 4291089 | 31 | 4362054 | 13 | 4364051 | 55 |
| 4291107 | 31 | 4362055 | 13 | 4364056 | 51, 53 |
| 4293001 | 15, 17, 19 | 4362057 | 11 | 4364057 | 55 |
| 4293014 | 17, 19 | 4362058 | 11 | 4364058 | 59 |
| 4297001 | 45 | 4362059 | 11 | 4364059 | 63 |
| 4297003 | 43 | 4362060 | 11 | 4364060 | 63 |
| 4297004 | 43 | 4362061 | 13 | 4364061 | 63 |
| 4302134 | 63 | 4363000 | 21 | 4364065 | 57 |
| 4302277 | 29 | 4363007 | 17 | 4364066 | 57 |
| 4302290 | 7 | 4363008 | 19 | 4364067 | 57 |
| 4304151 | 59 | 4363013 | 21 | 4364068 | 57 |
| 4304231 | 57 | 4363014 | 21 | 4364069 | 55 |
| 4304236 | 61 | 4363016 | 21 | 4366000 | 67 |
| 4305043 | 67 | 4363023 | 19 | 4369000 | 75 |
| 4311211 | 11 | 4363028 | 15 | 4369001 | 76 |
| 4312124 | 17, 19 | 4363029 | 21 | 4369002 | 75 |
| 4312210 | 13 | 4363030 | 21 | 4369003 | 25 |
| 4312211 | 13 | 4363031 | 21 | 4369005 | 75 |
| 4314014 | 51 | 4363032 | 21 | 4402043 | 51 |
| 4314055 | 63 | 4364001 | 57 | 4520864 | 73 |
| 4314105 | 55 | 4364002 | 59 | 4521035 | 73 |
| 4314114 | 59 | 4364004 | 59 | 4525002 | 65 |
| 4319008 | 49 | 4364005 | 49 | 4551173 | 55 |
| 4360001 | 76 | 4364006 | 49 | 4551188 | 51 |
| 4360002 | 76 | 4364007 | 61 | 4614027 | 49 |

| Part Number | Page | Part Number | Page | Part Number | Page |
|--------------------|-------------|--------------------|-----------------|--------------------|-------------|
| 4721035 | 13, 27, 43 | 5900285 | 71 | 9900106 | 67 |
| 4727144 | 43 | 6104219 | 47 | 9900115 | 51 |
| 4732024 | 15, 31 | 6112042 | 47 | 9900121 | 7 |
| 4751060 | 25 | 6231034 | 37 | 9900130 | 11 |
| 5201266 | 17, 19 | 6231037 | 67 | 9900140 | 21 |
| 5202012 | 47 | 6231087 | 33 | 9900160 | 7, 69 |
| 5262139 | 29 | 6231163 | 37 | 9900218 | 37 |
| 5262141 | 21, 47 | 6231189 | 13 | 9900220 | 19 |
| 5305318 | 67 | 6231203 | 37 | 9984095 | 49 |
| 5900192 | 70 | 6231242 | 69 | 9984625 | 65 |
| 5900205 | 70 | 6232028 | 35, 37 | 9984629 | 31 |
| 5900209 | 70 | 6232031 | 37 | 9984633 | 21 |
| 5900210 | 70, 71 | 6232036 | 35, 37 | 9987852 | 17 |
| 5900213 | 70 | 6232208 | 35, 37 | 9989046 | 31 |
| 5900214 | 70 | 6396028 | 49 | 9989100 | 31 |
| 5900237 | 70 | 6400002 | 70 | 9989576 | 41 |
| 5900243 | 70 | 7212154 | 69 | 9989674 | 31 |
| 5900244 | 70 | 7212191 | 69 | 9989677 | 31 |
| 5900247 | 71 | 9072706 | 63 | 9989744 | 67 |
| 5900267 | 71 | 9900016 | 17 | 9989781 | 41 |
| 5900269 | 70 | 9900035 | 11 | 9992400 | 7 |
| 5900272 | 70 | 9900081 | 11, 13, 21, 37, | | |
| 5900276 | 70 | | 67, 69 | W | |
| 5900279 | 70 | 9900090 | 21 | WD436001 | 76 |
| 5900283 | 71 | 9900092 | 17 | | |
| 5900284 | 71 | 9900098 | 33 | | |

