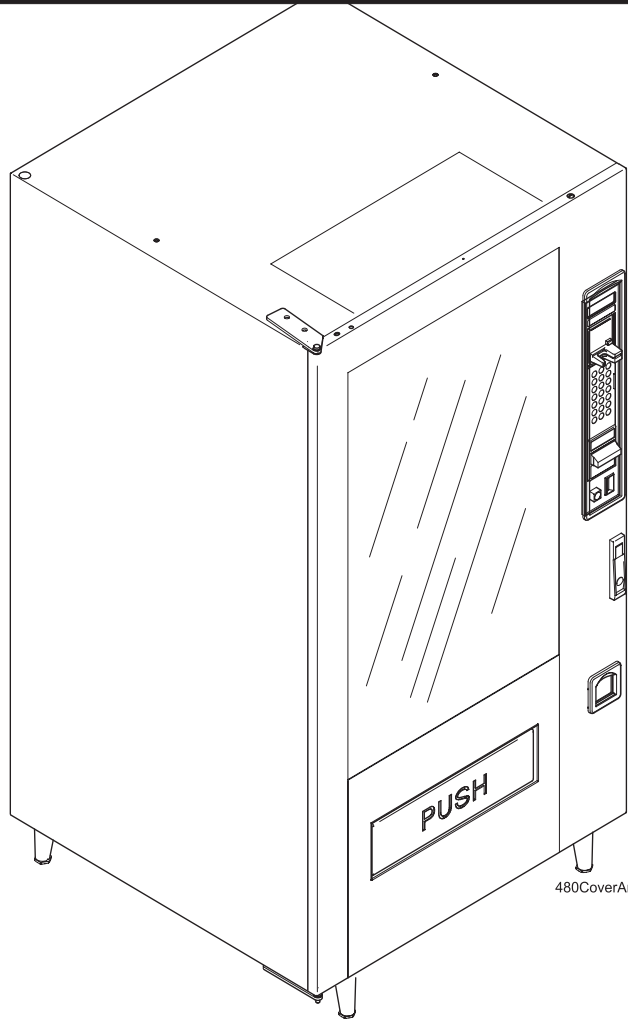


4800005

Model 480



Refreshment Center 1



480CoverArt

PARTS MANUAL



MERCHANDISING SYSTEMS™ A Crane Co. Company

12955 Enterprise Way
Bridgeton, Missouri 63044-1200
(314) 298-3500
www.CraneMS.com

Copyright© 01-05



The Right Part, Right Now

This machine has been engineered to our own rigid safety and performance requirements and manufactured in accordance with the safety standards of Underwriters Laboratories (UL) and the Canadian Standards Association (CSA). It has been designed to comply with the National Automatic Merchandising Association (NAMA) "Standard for the Sanitary Design and Construction of Food and Beverage Vending Machines".

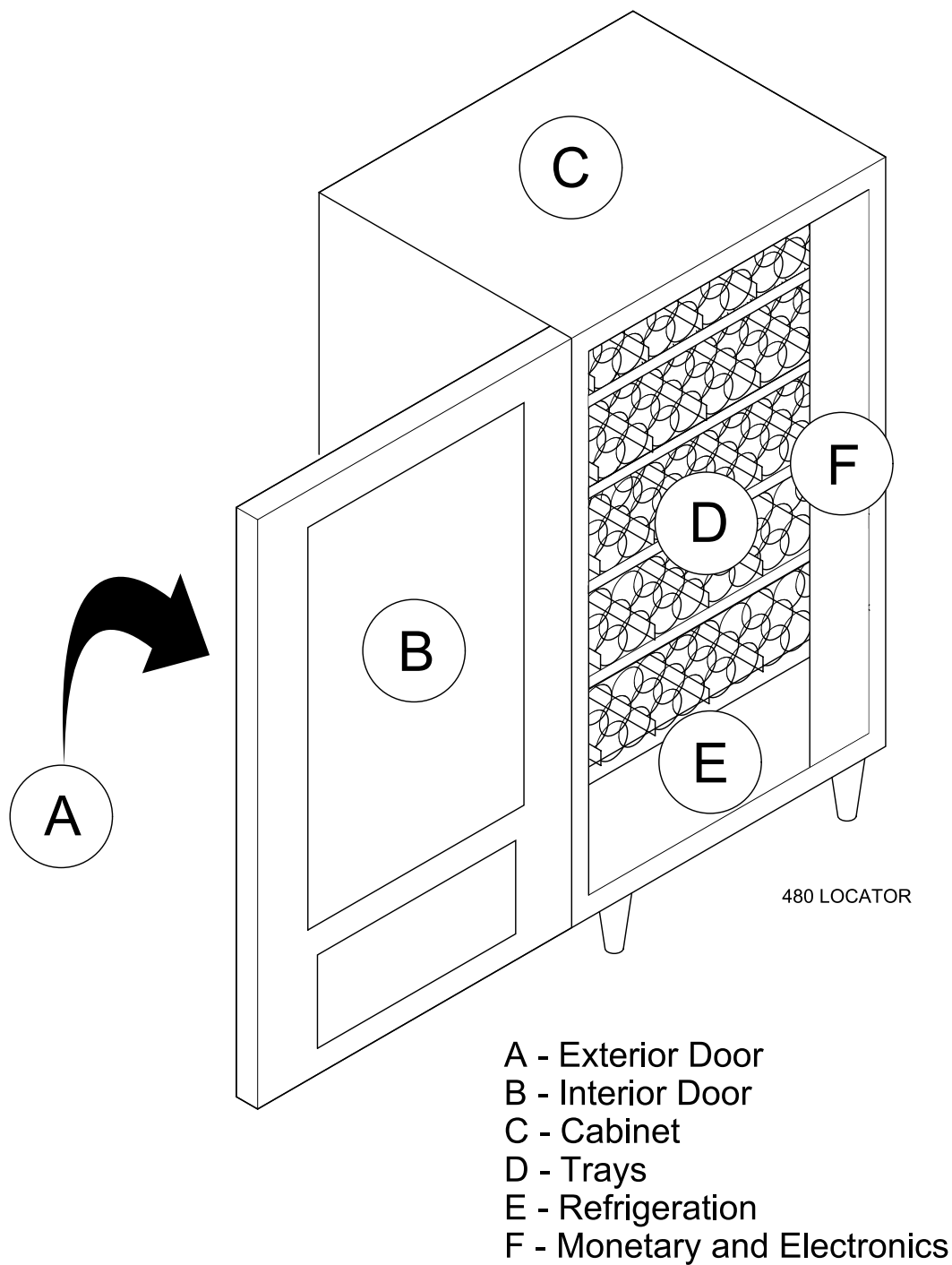
To maintain this degree of safety and to continue to achieve the level of performance built into this machine, it is important that installation and maintenance be performed so as to not alter the original construction or wiring and that replacement parts are as specified in the Parts Manual. Your investment in this equipment will be protected by using this Operators' Guide and the Parts Manual in your operation, service and maintenance work. By following prescribed procedures, machine performance and safety will be preserved.

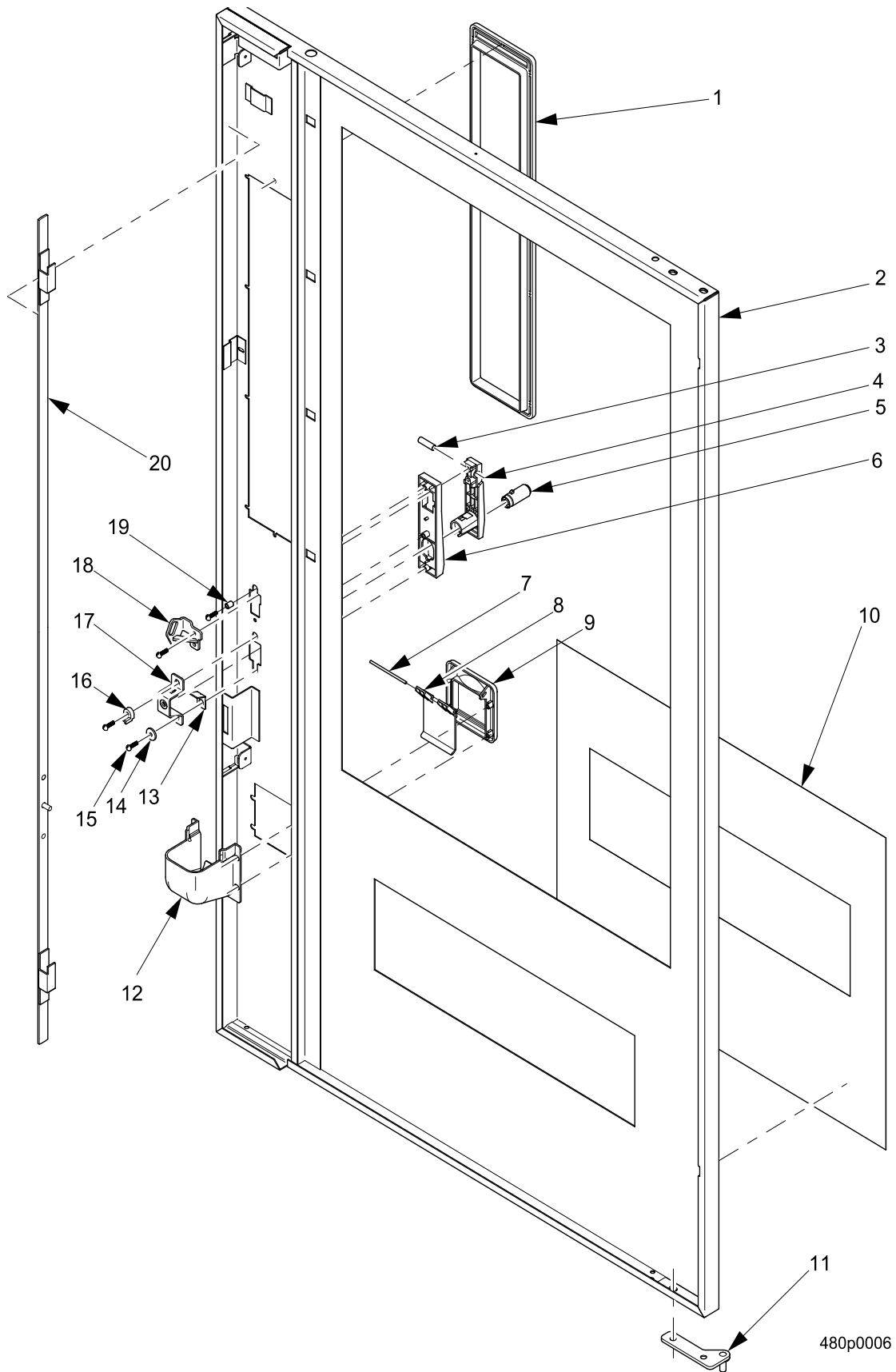
LIST OF FIGURES

Section A: Exterior of door	2
FIGURE 1: Exterior door Assy	2
Section B: Interior of door	4
FIGURE 2: Interior Door Assy	4
FIGURE 3: Light Bracket Assy	6
FIGURE 4: Delivery Bin (1 of 4)	8
FIGURE 5: Delivery Bin (2 of 4)	10
FIGURE 6: Delivery Bin (3 of 4)	12
FIGURE 7: Delivery Bin (4 of 4)	14
FIGURE 8: PosiVend	16
Section C: Cabinet	18
FIGURE 9: Cabinet Assy	18
FIGURE 10: Cash Box Lock	20
FIGURE 11: Door Hinge	22
FIGURE 12: Lighting Channel	24
FIGURE 13: Evaporator Fan Assy	26
FIGURE 14: Dual Zone Components	28
FIGURE 15: Cabinet Legs	30
FIGURE 16: Base Plate	32
Section D: Trays	34
FIGURE 17: Snack Tray Assy	34
FIGURE 18: Snack Tray Assy - Rear	36
FIGURE 19: Candy Tray Assy	38
FIGURE 20: Candy Tray - Rear	40
FIGURE 21: Bottle Tray	42
FIGURE 22: Bottle Tray - Rear	44
Section E: Refrigeration	48
FIGURE 23: Evaporator Pan Assy	48
FIGURE 24: Refrigeration Assy (1 of 2)	50
FIGURE 25: Refrigeration Assy (2 of 2)	52
Section F: Monetary and electronics	54
FIGURE 26: Monetary Assy	54
FIGURE 27: Coin Mech Bracket	56
FIGURE 28: Card Reader and Bill Validator Combinations	58
FIGURE 29: Power Panel Assy	62

LIST OF TABLES

Section A: Exterior of door	2
TABLE 1: Exterior Door	3
Section B: Interior of door	4
TABLE 2: Interior Door Assy	5
TABLE 3: Light Bracket Assy	7
TABLE 4: Delivery Bin (1 of 4)	9
TABLE 5: Delivery Bin (2 of 4)	11
TABLE 6: Delivery Bin (3 of 4)	13
TABLE 7: Delivery Bin (4 of 4)	15
TABLE 8: PosiVend	17
Section C: Cabinet	18
TABLE 9: Cabinet Assy	19
TABLE 10: Cash Box Lock	21
TABLE 11: Door Hinge	23
TABLE 12: Lighting Channel)	25
TABLE 13: Evaporator Fan Assy	27
TABLE 14: Dual Zone Components	29
TABLE 15: Cabinet Legs	31
TABLE 16: Base Plate	33
Section D: Trays.....	34
TABLE 17: Snack Tray Assy	35
TABLE 18: Snack Tray Assy - Rear	37
TABLE 19: Candy Tray Assy	39
TABLE 20: Candy Tray Rear	41
TABLE 21: Bottle Tray	43
TABLE 22: Bottle Tray - Rear	45
Section E: Refrigeration.....	48
TABLE 23: Evaporator Pan Assy	49
TABLE 24: Refrigeration Assy (1 of 2)	51
TABLE 25: Refrigeration Assy (2 of 2)	53
Section F: Monetary and electronics	54
TABLE 26: Monetary Assy	55
TABLE 27: Coin Mech Bracket	57
TABLE 28: Card Reader and Bill Validator Combinations	59
TABLE 29: Power Panel Assy	63
TABLE 30: harnesses	63





480p0006

FIGURE 1: EXTERIOR DOOR ASSY

TABLE 1: EXTERIOR DOOR

INDEX	PART NUMBER	DESCRIPTION	QTY
1	1575106	CASTING-MONETARY FRAME-BLACK	1
2	7802001	WELD ASSY-DOOR-T. BLACK	1
3	1302291	PIVOT-LEVER-LOCK	1
4	1172190	LEVER-LOCK	1
5	9995002	LOCK CYLINDER ASSY-KEY 002	-
	9995400	LOCK CYLINDER ASSY-KEY 400	
	1670912	LOCK & KEY-ACE II-KEY 400	
	1670913	LOCK & 2 KEYS-ACE II-KEY 400	
	1670914	LOCK & 2 KEYS-ACE II-KEY 002	
6	8905011	BASE-LEVER LOCK-BLACK	1
7	4245085	ROD-LOCK PIVOT	1
8	4245082	GATE-COIN RETURN	1
9	1572011	TRIM-COIN CUP-BLACK	1
10	4802001	DECAL-BOTTOM-GPL	1
11	6232031	HINGE ASSY-DOOR-LOWER	1
12	1572010	CUP-COIN RETURN	1
--	9900160	SCREW-#8-18 X 1/2"PHIL.PAN HD.(NOT SHOWN)	4
13	1302290	LATCH-LOCK-LOWER	1
14	9900121	WASHER STEEL 7/16 X.203 X.032	2
15	9900170	SCREW-#10-32 X 1/2"PHIL.PAN HD	4
16	1302326	SHIELD-LATCH	1
17	1302324	CATCH-DOOR LATCH	1
18	2272050	ACTUATOR-LOCK BAR	1
19	2302053	SPACER-CUP	6
20	1472178	LOCK BAR ASSEMBLY	1

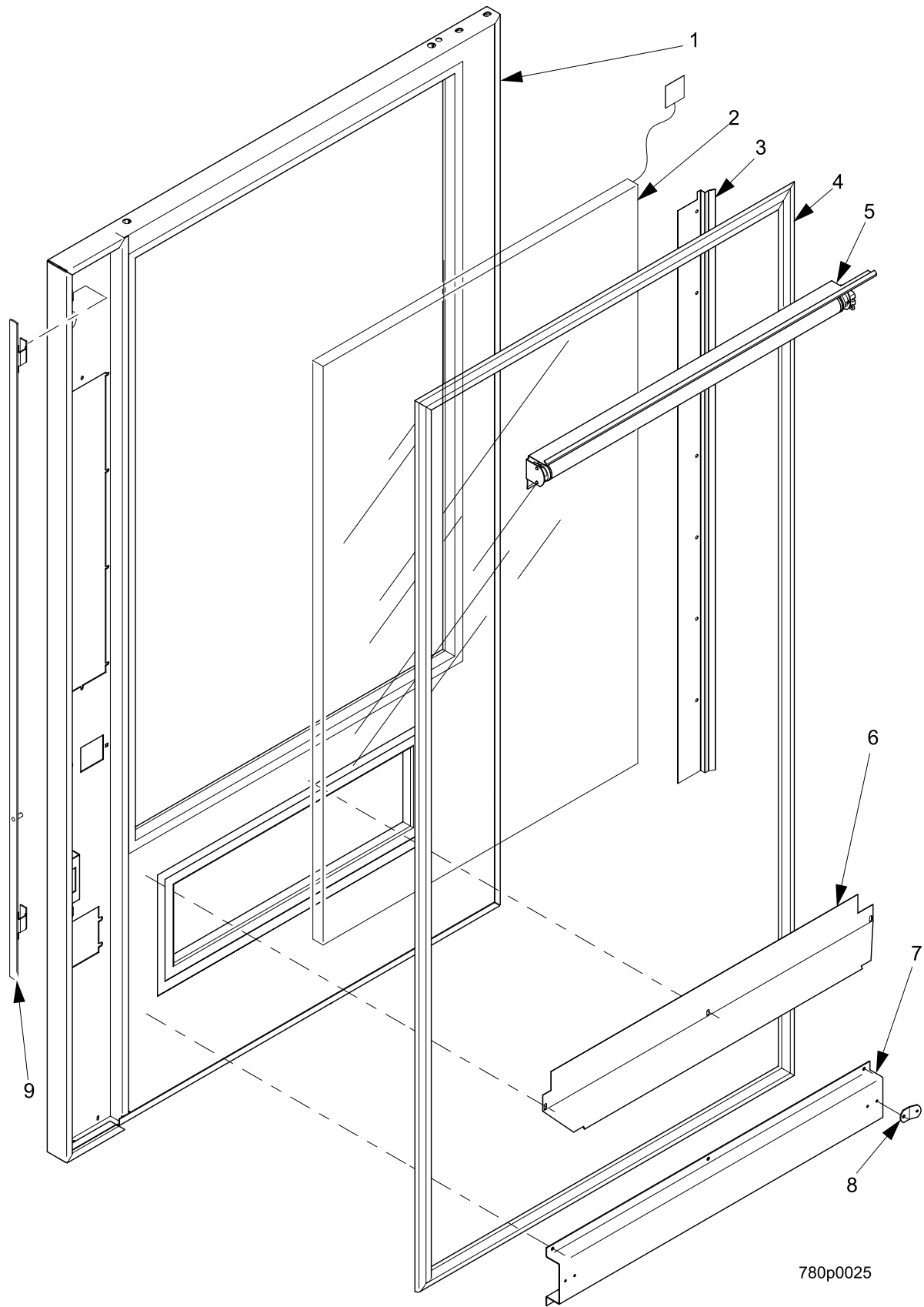
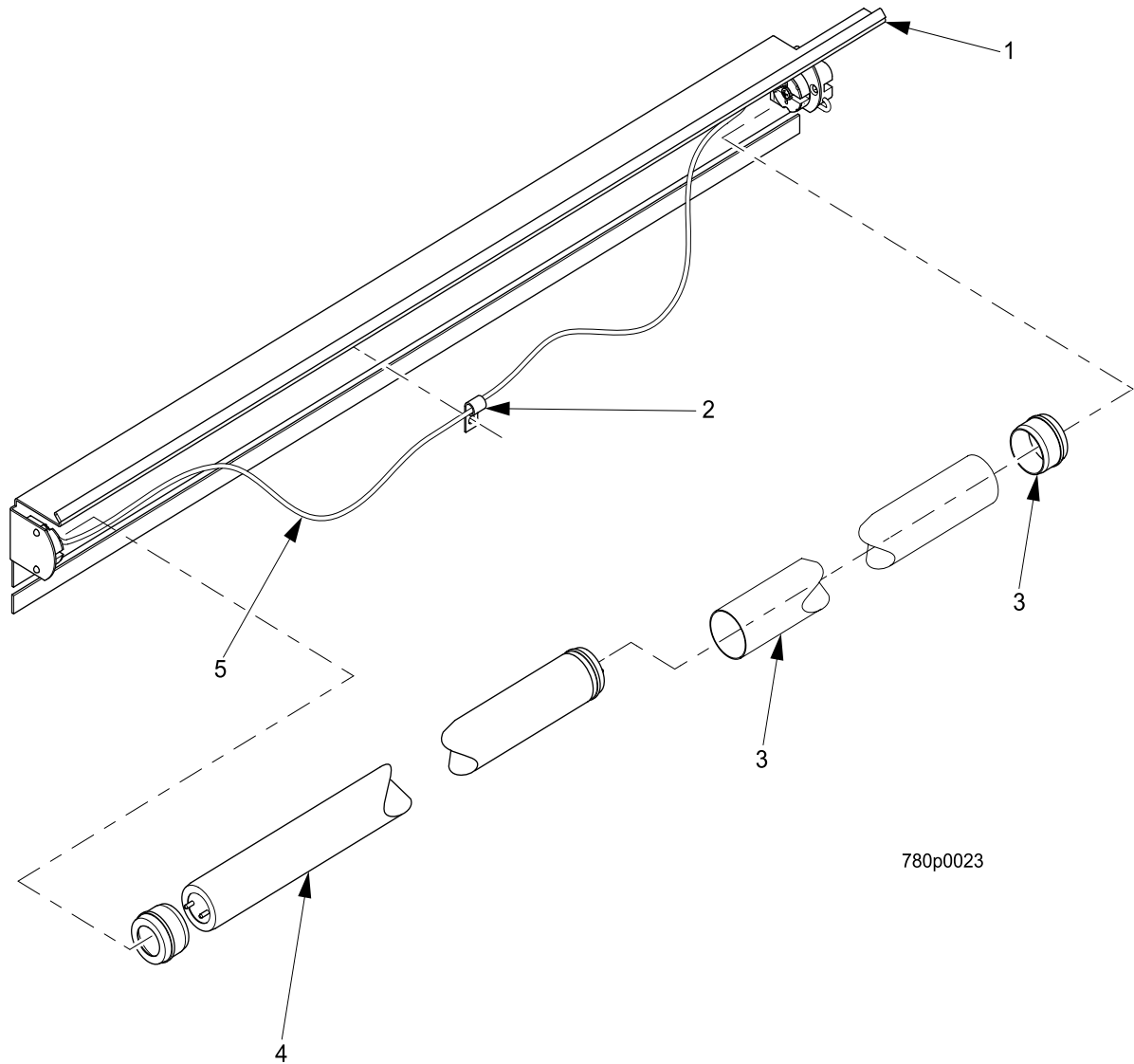


FIGURE 2: INTERIOR DOOR ASSY

TABLE 2: INTERIOR DOOR ASSY

INDEX	PART NUMBER	DESCRIPTION	QTY.
1	7802068	FOAM ASSY-DOOR-GPL-"T" BLACK	1
2	7802017	GLASS ASSY, 120 VAC	1
	7802072	GLASS ASSY, 230 VAC	1
3	7802050	CHANNEL-GLASS RETAINER	2
4	7802011	GASKET DOOR BLACK	1
5	--	ASSY-BULB & BRACKET (SEE TABLE 3 FOR DETAILS)	--
6	7802031	DEFLECTOR-FRONT-DELIVERY-PAN	1
7	7802049	BRACE-DOOR	1
8	4301285	BRACKET-DOOR CHAIN	1
9	1472178	LOCK BAR ASSEMBLY	1



780p0023

FIGURE 3: LIGHT BRACKET ASSY

TABLE 3: LIGHT BRACKET ASSY

INDEX	PART NUMBER	DESCRIPTION	QTY
1	7802051	BRACKET LIGHT	1
2	2342315	CLIP-WIRE HARNESS	2
3	7802019	SAFETY SLEEVE & END CAP ASSY	1
4	6732034	LAMP-FLUORESCENT-18 WATT	1
5	7809005	HARNESS-LIGHT&FILTER ASSY	1
--	2302218	STARTER-FLSCT LAMP-FS-25(NOT SHOWN)	1

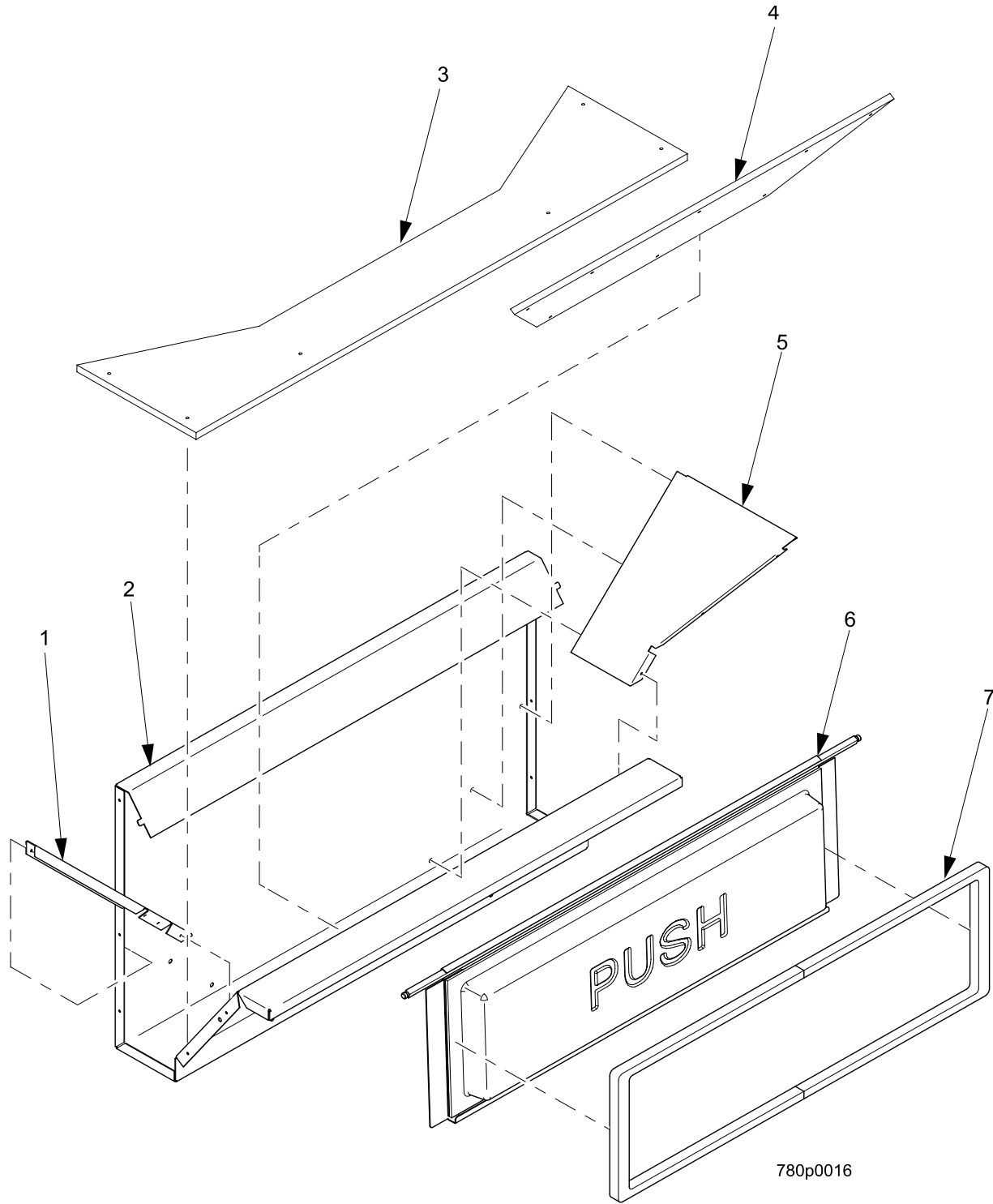


FIGURE 4: DELIVERY BIN (1 OF 4)

TABLE 4: DELIVERY BIN (1 OF 4)

INDEX	PART NUMBER	DESCRIPTION	QTY.
--	7802010	DELIVERY PAN ASSEMBLY-RC1	--
1	7802030	BAFFLE-DELIVERY PAN-LEFT	1
2	7802024	DELIVERY PAN	1
3	7802077	PAD-BOTTOM & SIDES - RC-1	1
4	7802078	PAD-FRONT-RC-1	1
5	7802035	BAFFLE-DELIVERY PAN-RIGHT	1
6	7802036	VEND DOOR ASSY-FOAMED	1
7	7802018	GASKET-VEND DOOR	1

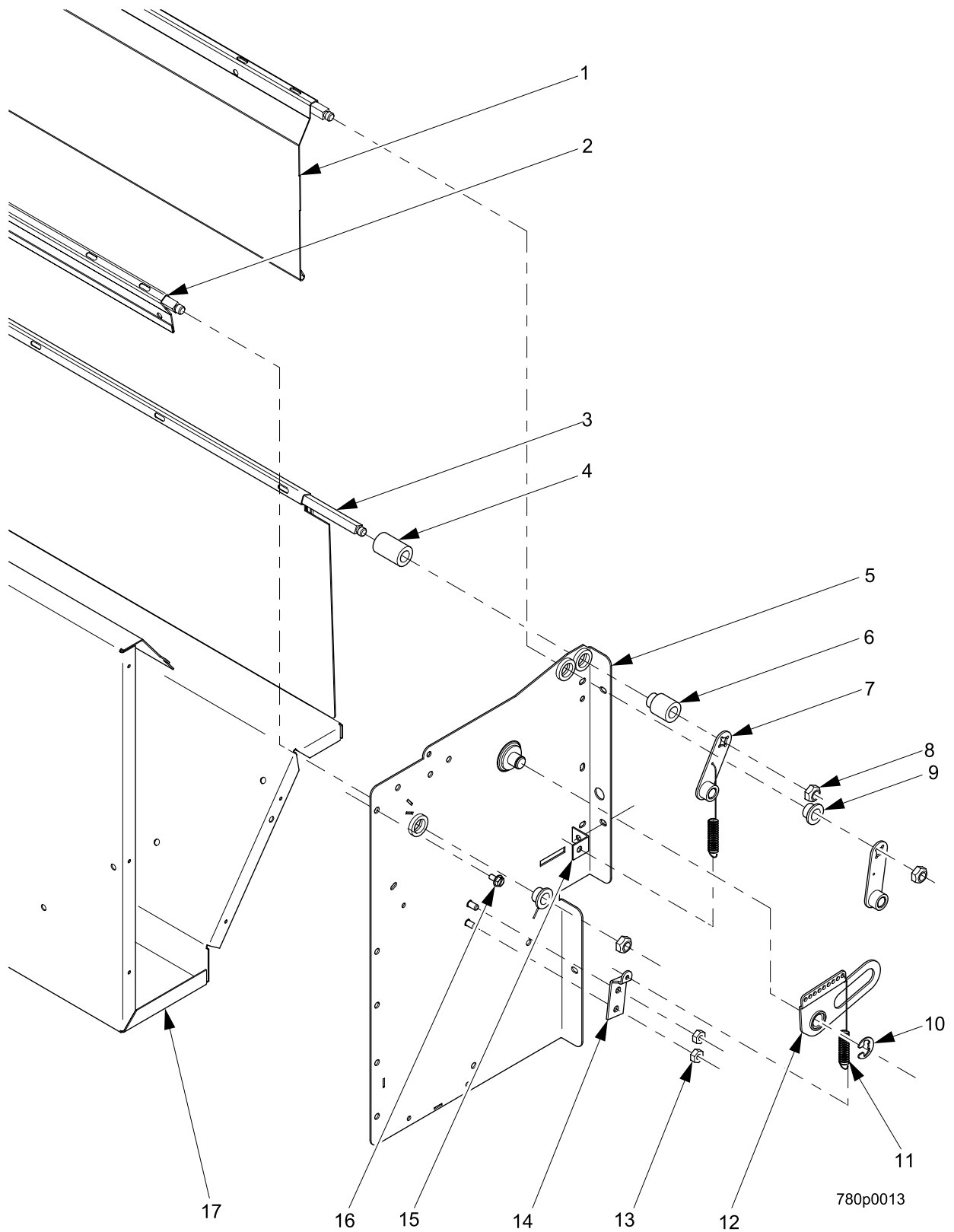


FIGURE 5: DELIVERY BIN (2 OF 4)

TABLE 5: DELIVERY BIN (2 OF 4)

INDEX	PART NUMBER	DESCRIPTION	QTY.
1	7802033	DOOR ASSEMBLY-ANTIPIILFERAGE	1
2	7802032	DOOR ASSEMBLY - REAR	1
3	7802036	VEND DOOR ASSY-FOAMED	1
4	1572315	SPACER-DELIVERY DOOR	2
5	1572425	SIDE PLATE ASSEMBLY-R.H.	1
6	1572416	SLEEVE-DELIVERY DOOR	2
7	1572353	ARM ASSEMBLY-SPRING ASSIST	1
8	9900184	NUT 1/4-20 SELF-LOCKING	3
9	1572452	SLEEVE-PILFER DOOR-L.H.	1
10	9900437	RETAINING RING REINF E TYP.375	1
11	1572420	SPRING	1
12	1572423	ACTUATOR ASSY.-SPRING ASSIST	1
13	9900081	NUT #8-32 KEPS ZINC PLATE	2
14	1572421	ANCHOR-SPRING	1
15	7802073	ANCHOR-SPRING	1
16	4721035	SCREW-#8-18 X .38-LGM	1
17	7802024	DELIVERY PAN	1

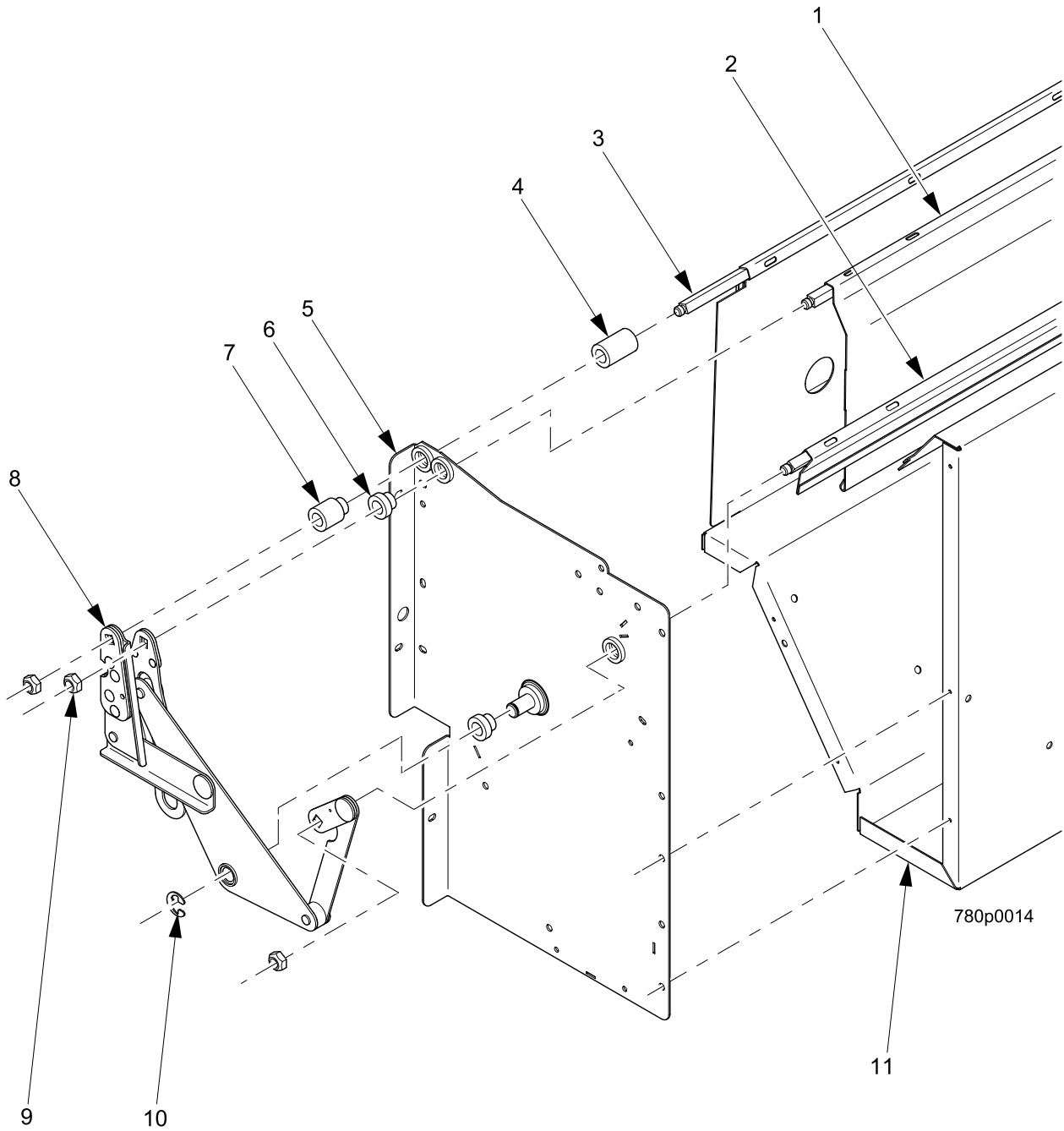
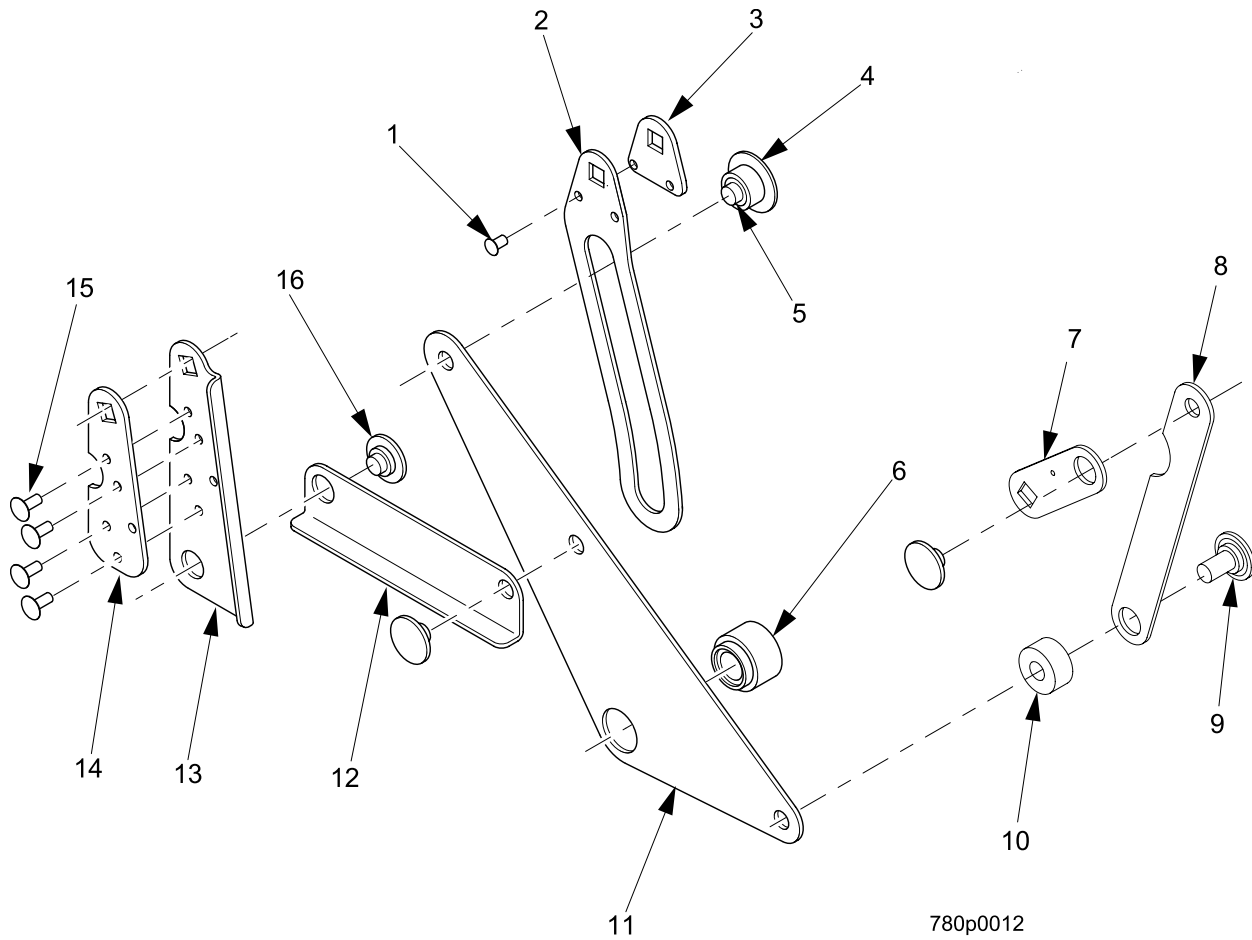


FIGURE 6: DELIVERY BIN (3 OF 4)

TABLE 6: DELIVERY BIN (3 OF 4)

INDEX	PART NUMBER	DESCRIPTION	QTY.
1	7802033	DOOR ASSEMBLY-ANTIPILFERAGE	1
2	7802032	DOOR ASSEMBLY - REAR	1
3	7802036	VEND DOOR ASSY-FOAMED	1
4	1572315	SPACER-DELIVERY DOOR	1
5	1572424	SIDE PLATE ASSEMBLY-L.H.	1
6	1572417	SLEEVE-PILFER & REAR DR.-R.H.	1
7	1572416	SLEEVE-DELIVERY DOOR	1
8	1572410	LINKAGE ASSEMBLY-R.H.	1
9	9900184	NUT 1/4-20 SELF-LOCKING	3
10	9900437	RETAINING RING REINF E TYP.375	1
11	7802024	DELIVERY PAN	1

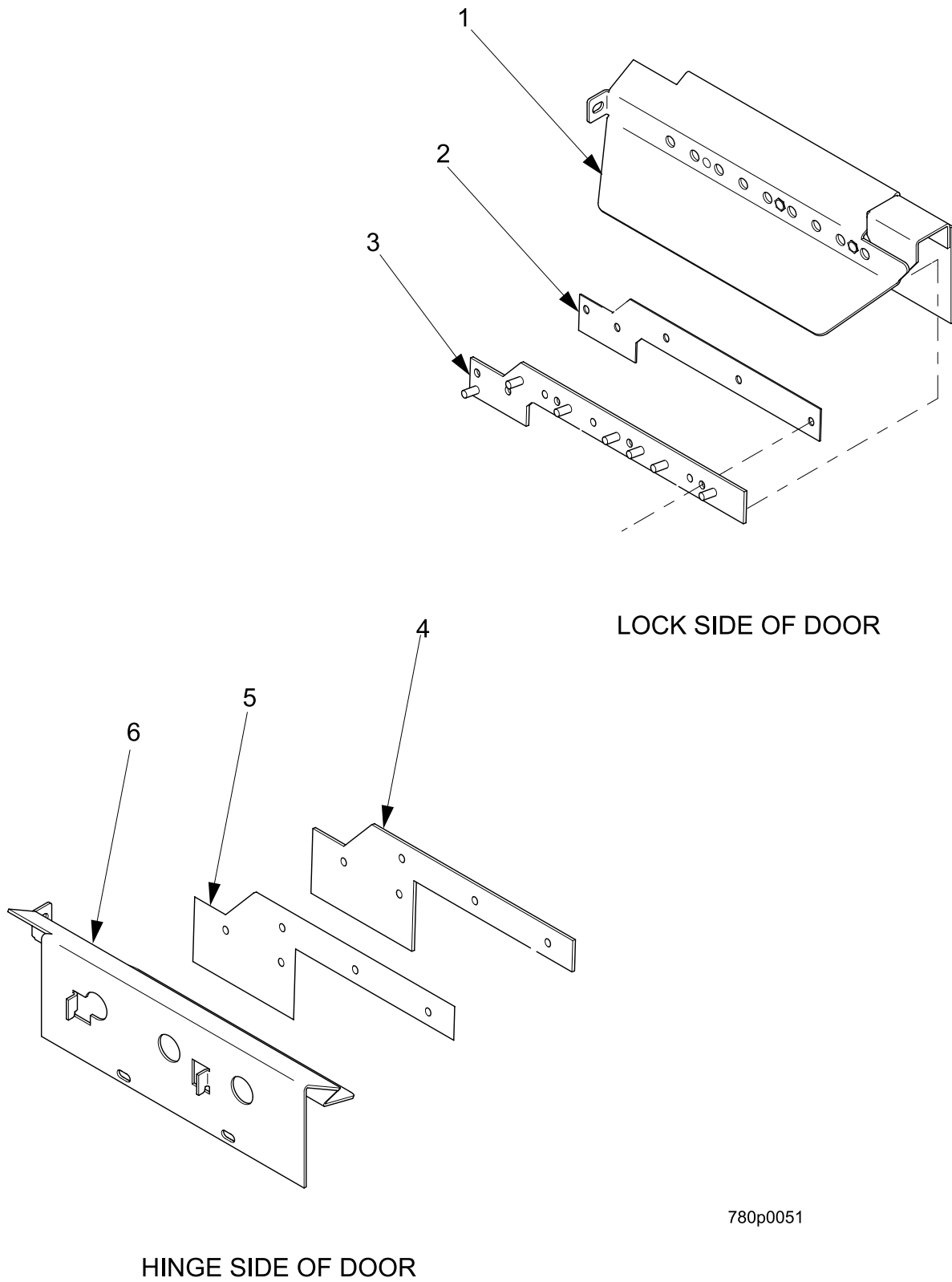


780p0012

FIGURE 7: DELIVERY BIN (4 OF 4)

TABLE 7: DELIVERY BIN (4 OF 4)

INDEX	PART NUMBER	DESCRIPTION	QTY.
1	9900141	RIVET SEMI-TUBULAR.120 D.X.203	2
2	1572334	ARM-PILFER.DOOR-72DEG(REF.ITEM)	1
3	1572335	PLATE-BACKING-PILFER	1
4	1572319	ROLLER-INTERMEDIATE ARM ASSY	1
5	1572320	STUD-INTERMEDIATE ARM ASSY	1
6	1572316	COLLAR-INTERMEDIATE ARM	1
7	1572387	ARM-REAR-DELIVERY DOOR	1
8	1572386	LINK-REAR-DELIVERY DOOR	1
9	1572408	SPACER-STUD	1
10	1572407	STUD-LINKAGE ASSY-LONG	1
11	1572304	ARM-INTRMED.-DEL.DOOR(REF.ITEM)	1
12	1572303	LINK-INTERMED.-DEL.DOOR	1
13	1572356	ARM-DEL.DR-20.5DEG(REF.ITEM)	1
14	1572357	PLATE-BACKING-20.5 DEG.	2
15	1572330	RIVET-SEMI-TUBULAR-.120 DIA.X	4
16	1572318	STUD-LINKAGE ASSEMBLY	3



780p0051

FIGURE 8: SUREVEND

TABLE 8: SUREVEND

INDEX	PART NUMBER	DESCRIPTION	QTY.
1	7802043	BRKT-W/A-EMITTER-SURE VEND	1
2	1672050	PAPER BACKING-LT PCB-SURE VEND	1
3	1676011	PCB ASSY-PRODUCT DET.-RECEIVER	1
4	1676000	PCB ASSY-PRODUCT DET.-EMITTER	1
5	1672051	PAPER BACKING-RT PCB-SURE VEND	1
6	7802034	SENSOR BRK ASSY-RECEIVER-SV	1

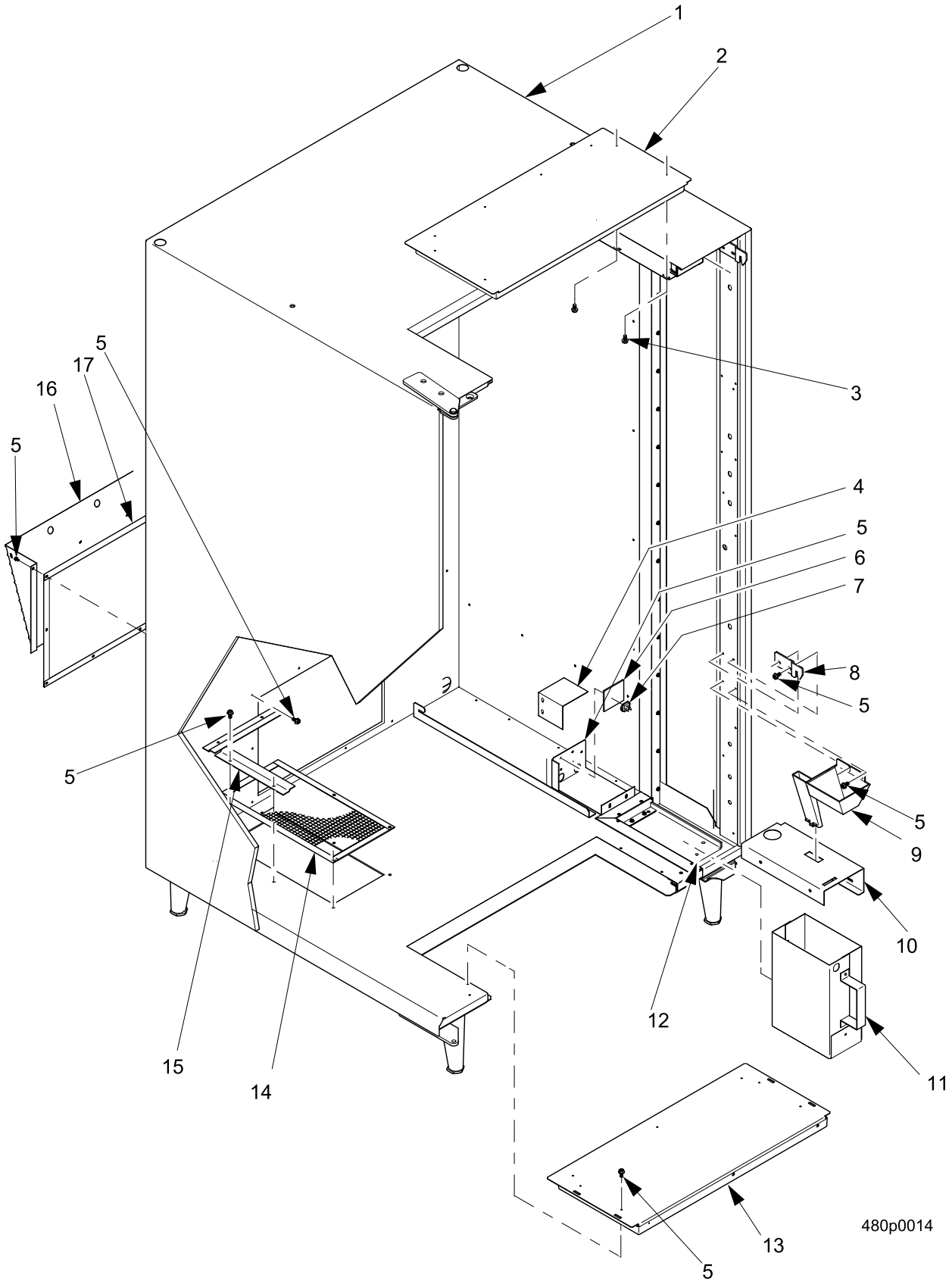


FIGURE 9: CABINET ASSY

TABLE 9: CABINET ASSY

INDEX	PART NUMBER	DESCRIPTION	QTY
1	7801107	FOAMED CABINET ASSEMBLY	1
2	7801120	KNOCKOUT-TOP ASSEMBLY	1
3	1451097	SCREW-#8-32X.31 HEX HD.TF-BLK.	4
4	7801168	COVER TRIAC	1
5	7801143	BRACKET MONETARY TRIAC	1
--	9989887	PCB ASSY - RC-I TRIAC	--
6	9989886	PCB-RC-1 TRIAC	1
7	9983778	TRIAC-35A-600V	1
8	1571074	LOCK ARM-CABINET	2
9	6231242	CHUTE-PAYOUT	1
10	7801074	TOP HOUSING MONEY BOX	1
11	7801073	MONEY BOX ASSY.	1
12	7801075	FLOOR HOUSING MONEY BOX	1
13	7801124	KNOCKOUT-BOTTOM ASSEMBLY	1
14	4321150	SCREEN-INLET AIR	1
15	7801147	FRAME INLET SCREEN	1
16	7801154	OUTLET DIFFUSER	1
17	4321156	SCREEN-OUTLET AIR	1

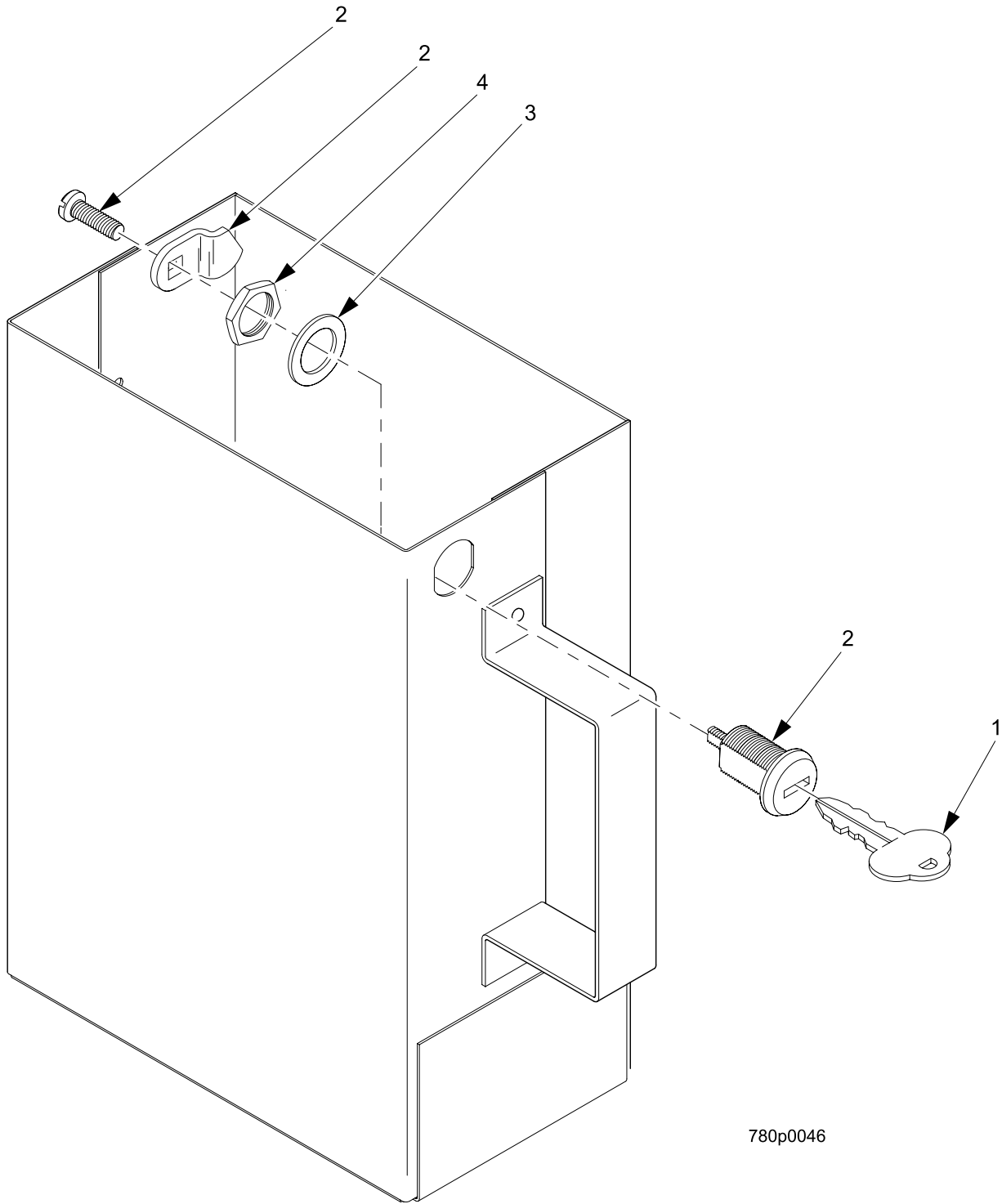
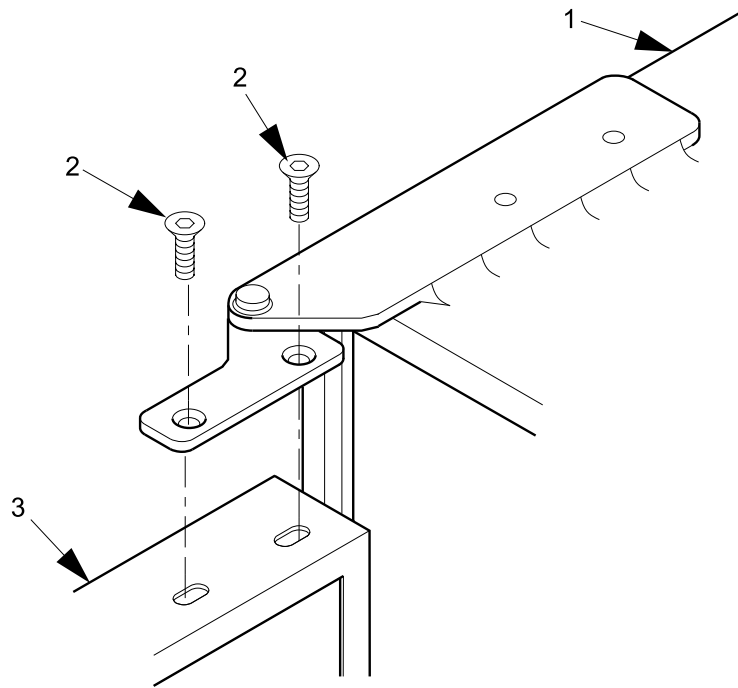


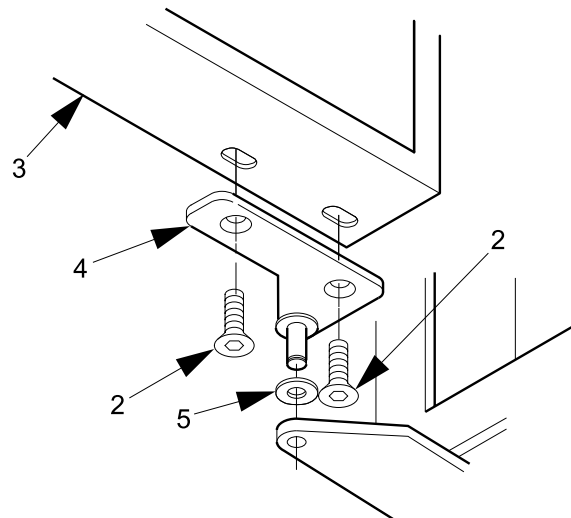
FIGURE 10: CASH BOX LOCK

TABLE 10: CASH BOX LOCK

INDEX	PART NUMBER	DESCRIPTION	QTY
--	1470761	MONEY BOX LOCK(ITEMS 1-4)	--
1	2221920	KEY-CHICAGO LK-#1801 NV407, KB	1
2	1101906	MONEY BOX LOCK-#1801, KA NV407	1
3	2222604	WASHER-LOCK BARREL-#2693	1
4	2222603	NUT-LOCK RETAINING	1



UPPER DOOR HINGE ASSY



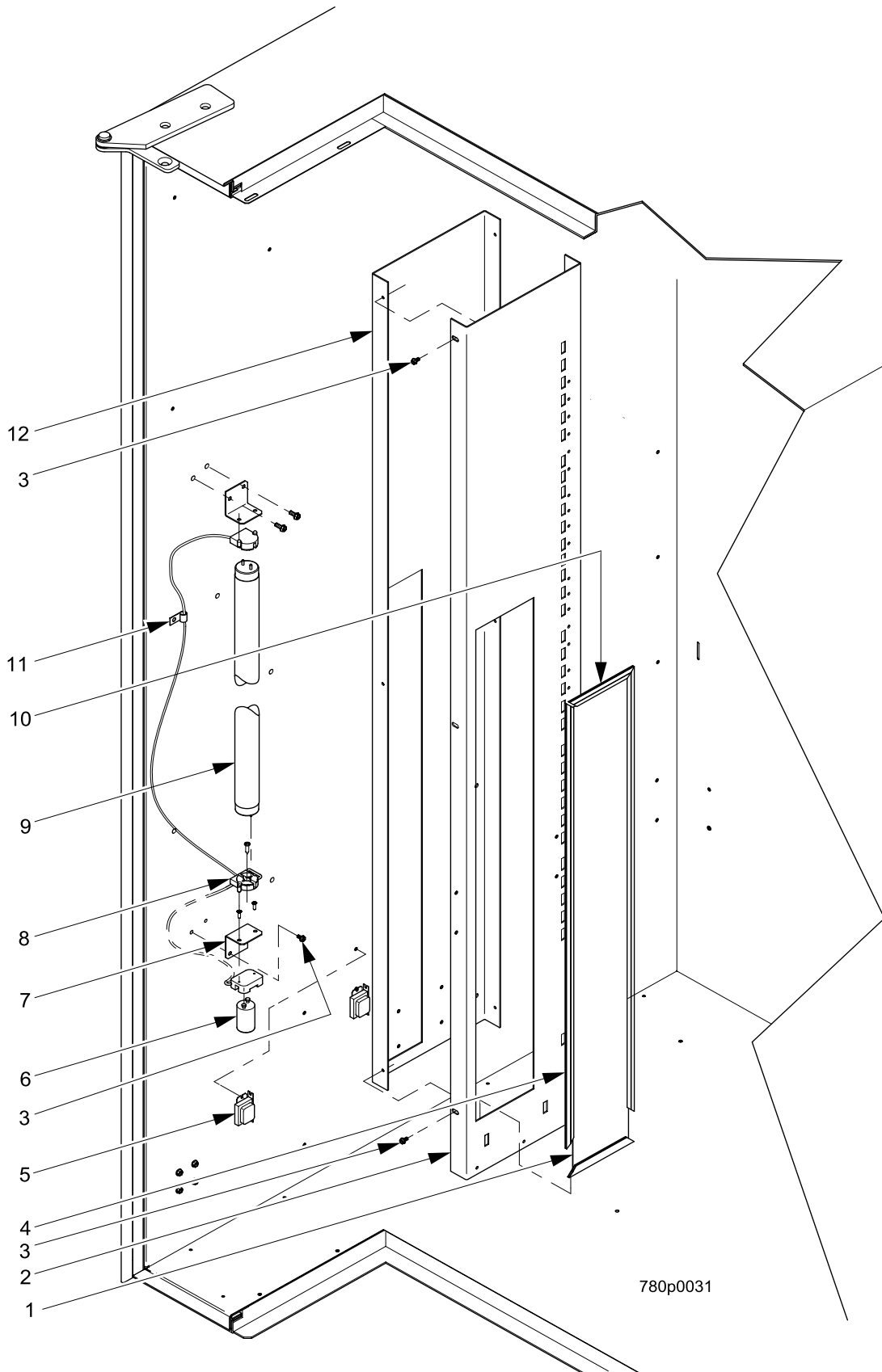
780p0041

LOWER DOOR HINGE ASSY

FIGURE 11: DOOR HINGE

TABLE 11: DOOR HINGE

INDEX	PART NUMBER	DESCRIPTION	QTY
1	7801096	WELD ASSY CABINET(REF.ITEM)	--
2	6232036	SCREW-5/16-18X.75 FLT.HDSOCKET	4
3	7802062	WELD ASSY-DOOR-GPL-"T" BLACK	1
4	6232031	HINGE ASSY-DOOR-LOWER	1
5	4242145	BEARING-THRUST-LOWER HINGE KB	1

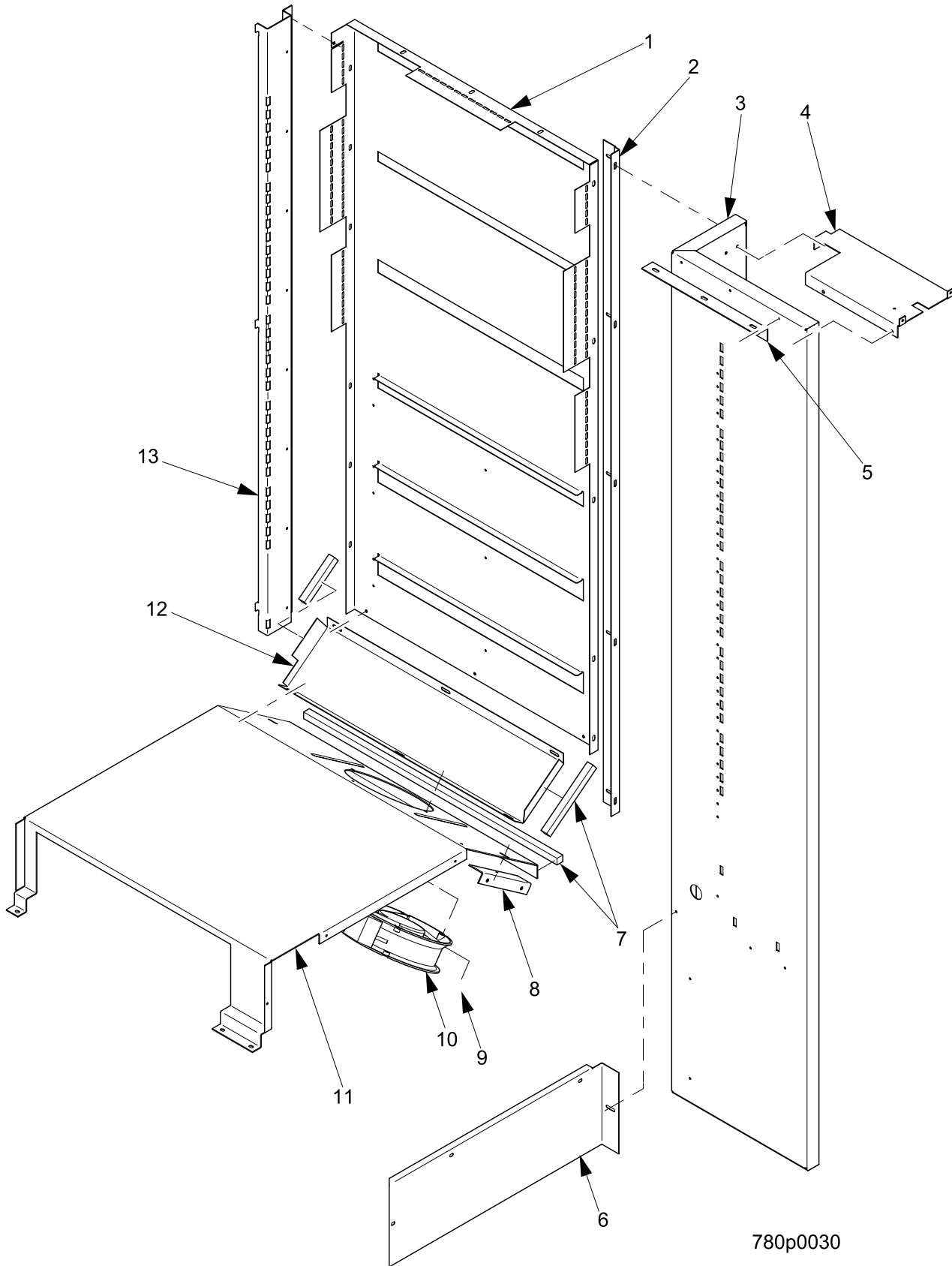


780p0031

FIGURE 12: LIGHTING CHANNEL

TABLE 12: LIGHTING CHANNEL)

INDEX	PART NUMBER	DESCRIPTION	QTY
1	7801125	LEXAN PANEL	1
2	7801142	CHANNEL RAIL MNT FL OUTER	1
3	1451097	SCREW-#8-32X.31 HEX HD.TF-BLK.	4
4	7801126	FRAME LONG	2
5	3151058	BALLAST ASSY-14/20 WATT-120V	2
	6332009	BALLAST ASSY-18 WATT-230V	
6	2302218	STARTER-FLSCT LAMP-FS-25	1
7	7801153	BRACKET LIGHT	2
8	7809005	HARNESS-LIGHT & FILTER ASSY	1
9	6732034	LAMP-FLUORESCENT-18 WATT	1
10	7801127	FRAME SHORT	2
11	1211161	CABLE CLAMP-RICHCO#N4	2
12	7801141	CHANNEL RAIL MNT FL INNER	1



780p0030

FIGURE 13: EVAPORATOR FAN ASSY

TABLE 13: EVAPORATOR FAN ASSY

INDEX	PART NUMBER	DESCRIPTION	QTY.
1	7801155	PANEL AIR SUPPLY	1
2	7801144	BRACKET MONETARY LONG	1
3	7801131	PANEL MONETARY ASSY FORWARD	1
4	7801078	BRACKET-ALIGNMENT	1
5	7801151	BRKT UPPER MONETARY ANGLE	1
6	7801152	FRONT EVAPORATOR COVER	1
7	4744031	SEAL-.50 X.50	87
8	7801150	ANGLE-FAN-SUPPORT	2
9	3104124	SCREW-#8-32 X 5/8 PHS SS	2
--	4402043	NUT-#8-32 W/L.W.-S.S. (NOT SHOWN)	2
10	4314014	FAN-EVAPORATOR-AXIAL-110V	1
	7804013	FAN-EVAPORATOR-AXIAL-230V	1
11	7801145	PANEL-EVAPORATOR-COVER	1
12	7801148	PANEL FAN ACCESS	1
13	7801139	CHANNEL RAIL MOUNT RR	1

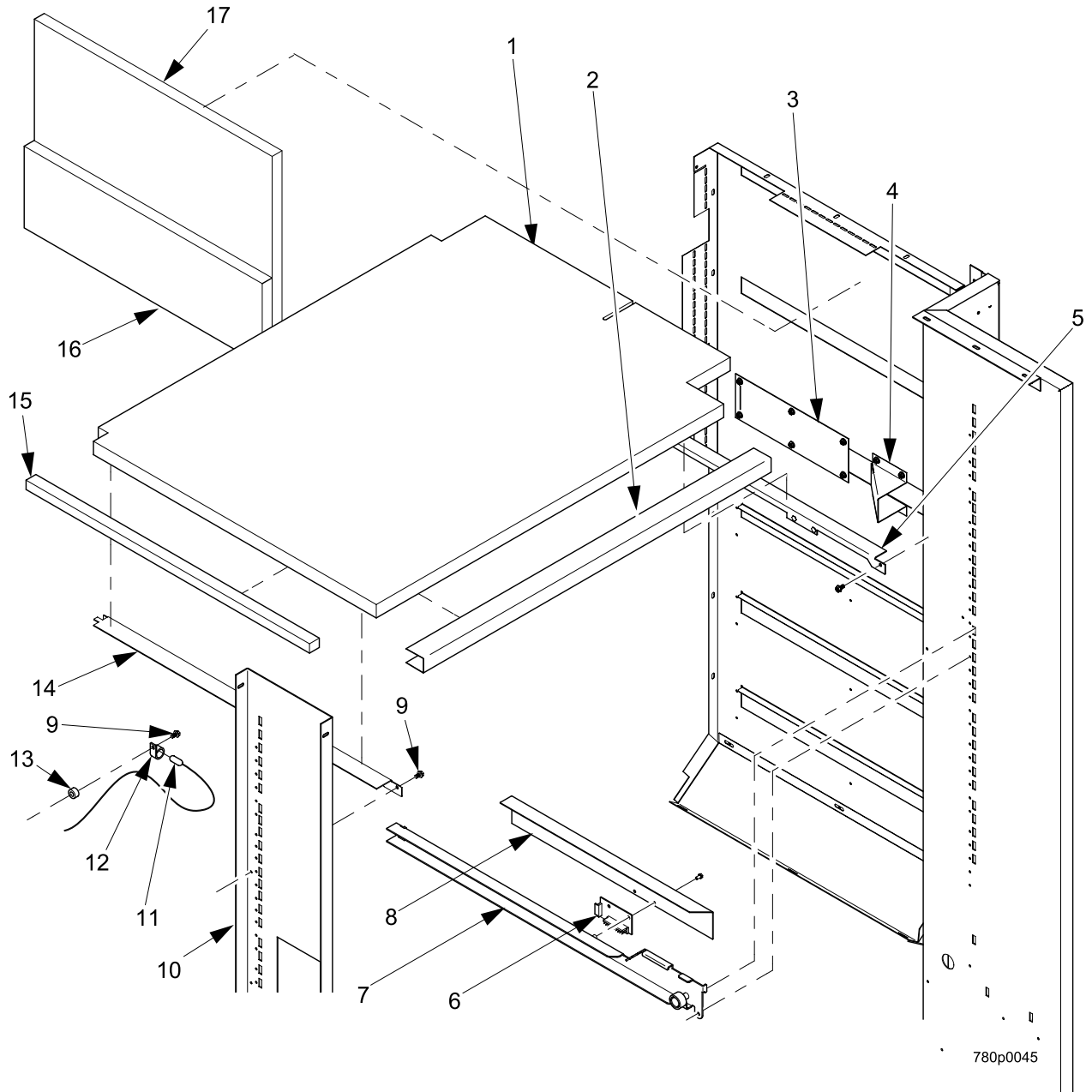


FIGURE 14: DUAL ZONE COMPONENTS VERSION I DUCT SYSTEM

TABLE 14: DUAL ZONE COMPONENTS VERSION I DUCT SYSTEM

INDEX	PART NUMBER	DESCRIPTION	QTY.
1	7801165	DIVIDER SHELF	1
2	7801166	COVER FRONT EDGE BARRIER	1
3	7801175	AIR PLATE-USED FOR TWO TRAY CONFIGURATION ONLY	1
4	7801174	AIR DEFLECTOR-USED FOR TWO TRAY CONFIGURATION ONLY	1
5	7801181	RAIL-RH-THERM BARRIER W/STANDO	1
6	1596014	PCB ASSEMBLY-TRAY	1
7	7801049	GUIDE RAIL AY R.H. W/STANDOFFS	1
8	7801052	SHIELD-TRAY RAIL-PCB	1
9	1451097	SCREW-#8-32X.31 HEX HD.TF-BLK.	2
10	7801142	CHANNEL RAIL MNT FL OUTER	1
11	9987852	PROBE-TEMP.SENSOR	1
12	1211161	CABLE CLAMP-RICHCO#N4	1
13	4302134	SPACER-P.C.BOARD	1
14	7801159	RAIL-LH-THERMAL BARRIER	1
15	4241148	INSULATION-ROD-.50	22
16	7801170	INSULATION BOARD-SMALL	1
17	7801169	INSULATION BOARD-LARGE	1

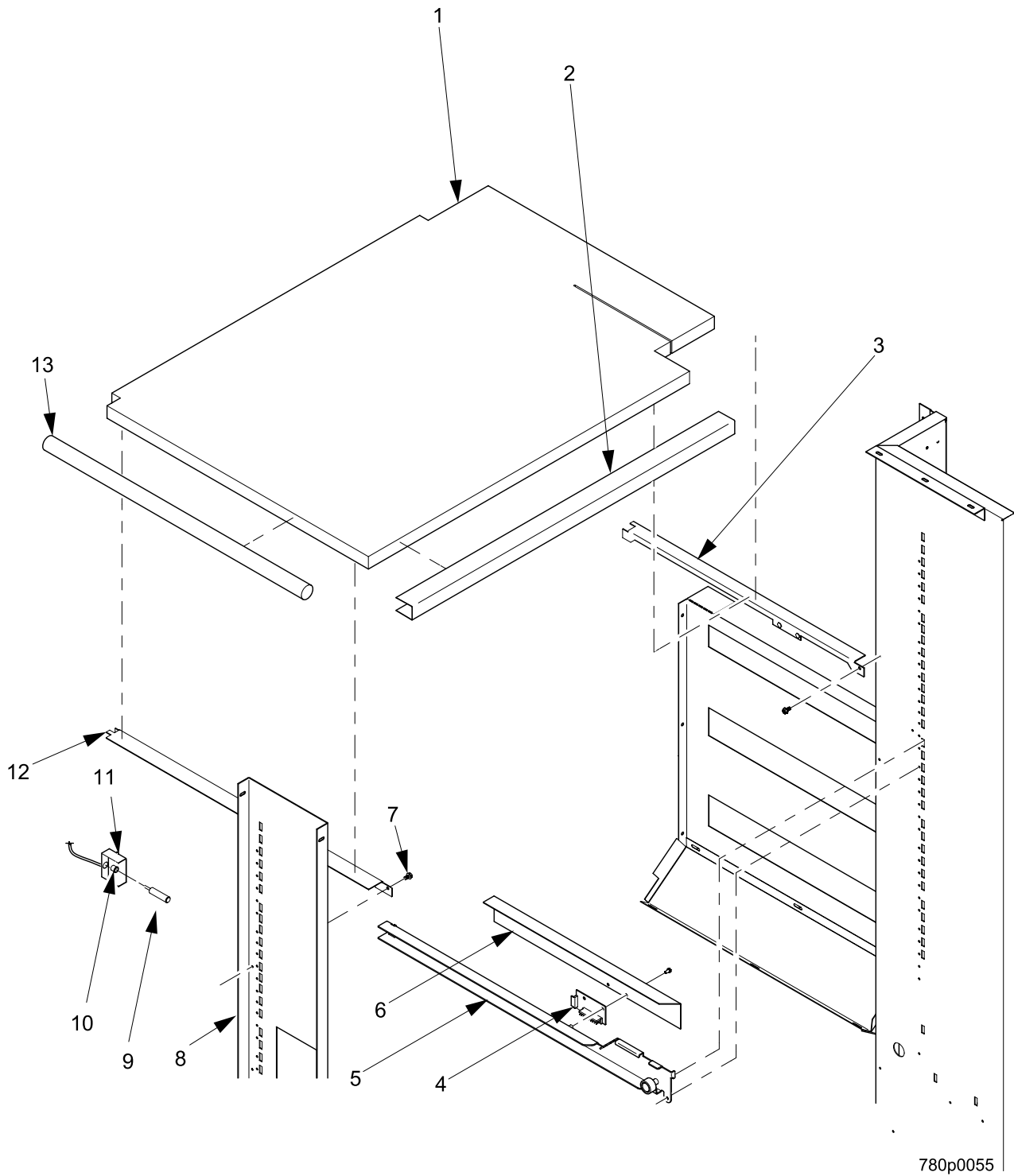
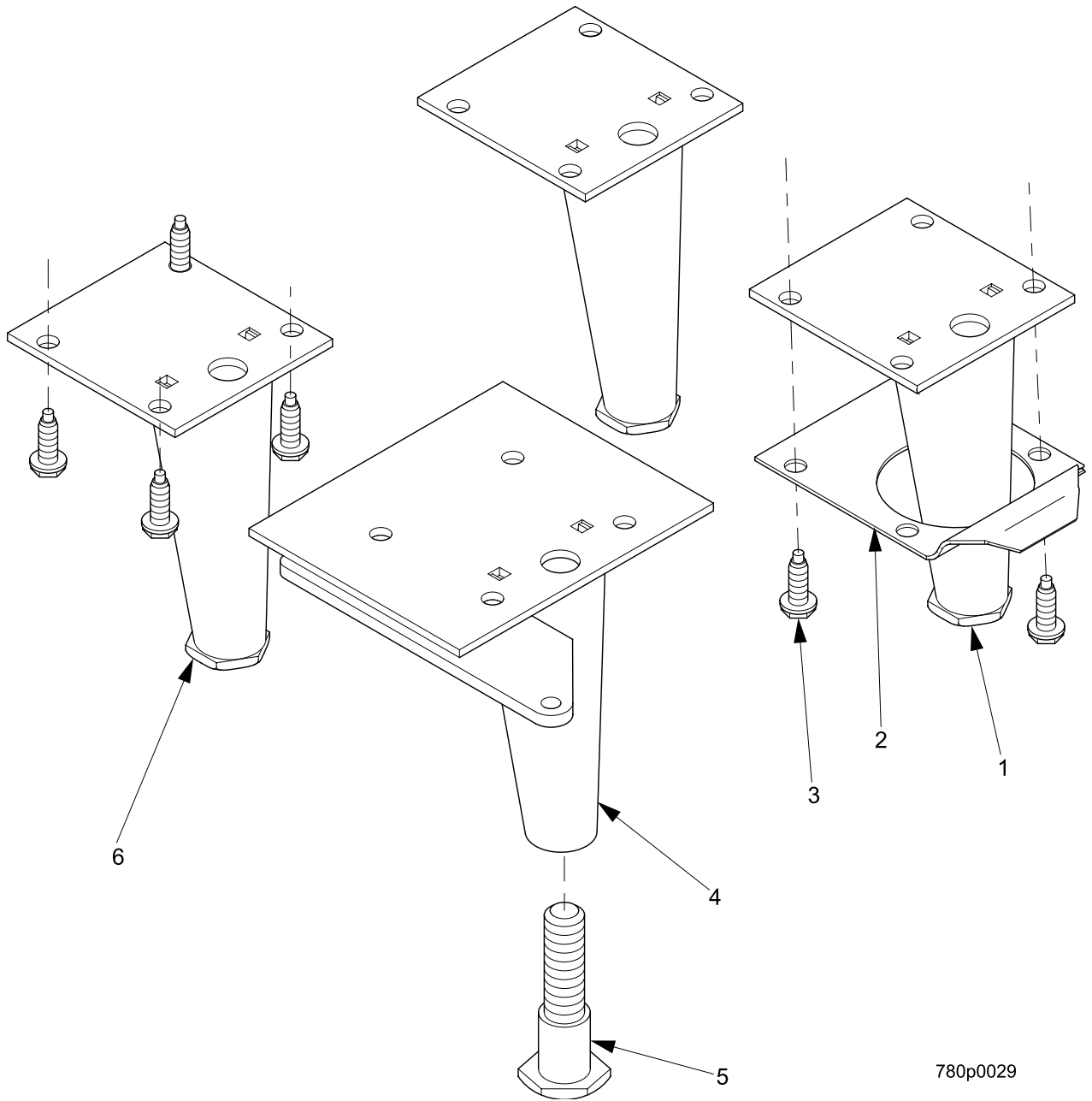


FIGURE 15: DUAL ZONE COMPONENTS VERSION II DUCT SYSTEM

TABLE 15: DUAL ZONE COMPONENTS VERSION II DUCT SYSTEM

INDEX	PART NUMBER	DESCRIPTION	QTY.
1	7801157	DIVIDER-SHELF-VERSION 2	1
2	7801166	COVER-FRONT EDGE BARRIER	1
3	7801181	RAIL-RH-THERM BARRIER W/STANDO	1
4	1596014	PCB ASSEMBLY-TRAY	1
5	7801049	GUIDE RAIL AY R.H. W/STANDOFFS	1
6	7801052	SHIELD-TRAY RAIL-PCB	1
7	1451097	SCREW-#8-32X.31 HEX HD.TF-BLK.	2
8	7801142	CHANNEL RAIL MNT FL OUTER	1
9	9987852	PROBE-TEMP.SENSOR	1
10	9985887	BUSHING-STRAIN RELIEF	1
11	4321175	COVER-TEMP. SENSOR	1
12	7801159	RAIL-LH-THERMAL BARRIER	1
13	4241148	INSULATION-ROD-.50	22



780p0029

FIGURE 16: CABINET LEGS

TABLE 16: CABINET LEGS

INDEX	PART NUMBER	DESCRIPTION	QTY.
1	4311068	LEG ASSY-CABINET-WELD	3
2	7801081	PLATE DOOR SUPPORT	1
3	9900218	SCREW-#5/16 X 1 W/LOCKING RING	16
4	1571115	LEG & HINGE ASSY-WELD	1
5	1471098	LEVELER-CABINET	4
6	1471237	LEG & LEVELER ASSY-CABINET (ITEMS 1 AND 5)	--

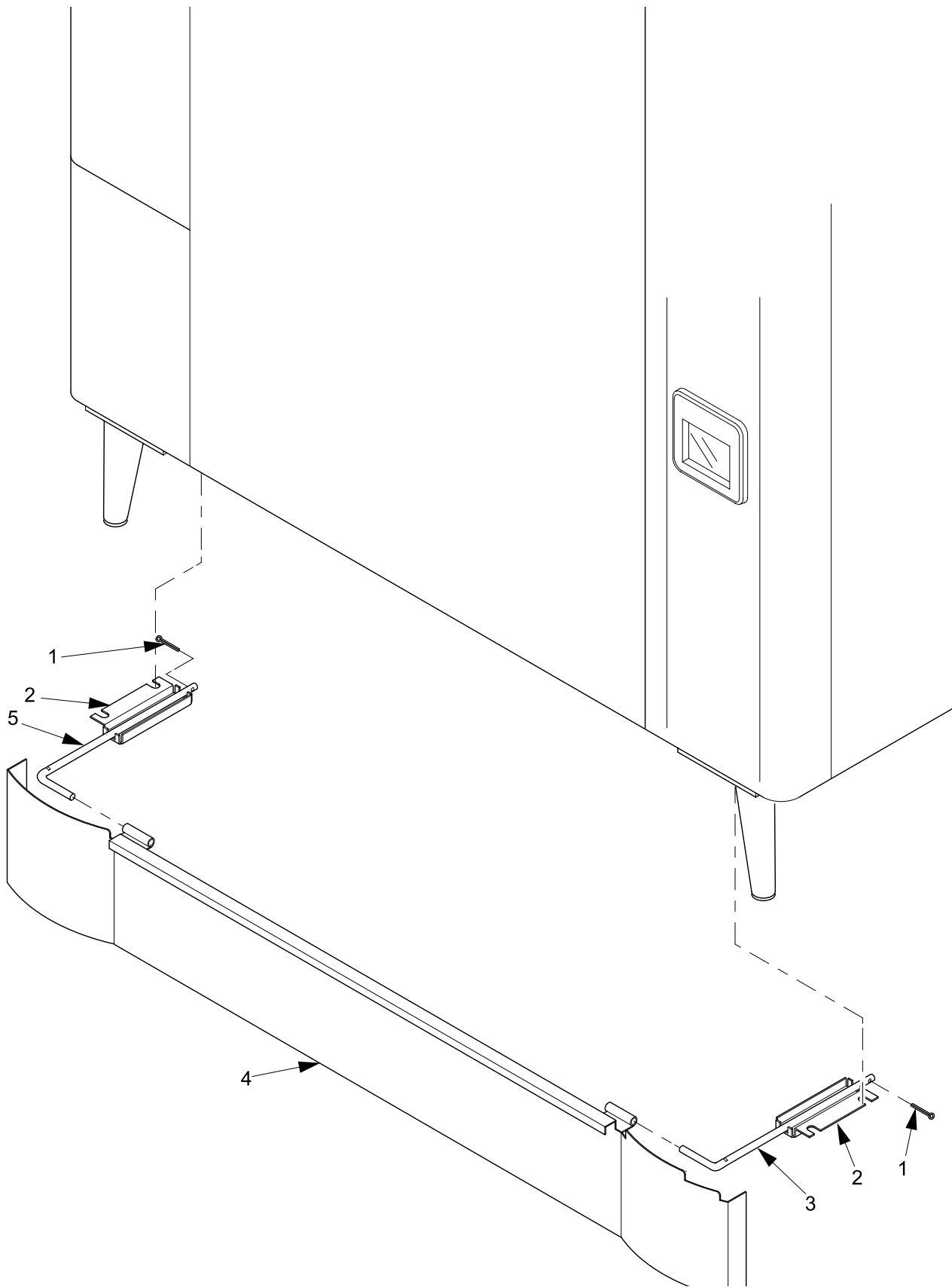


FIGURE 17: BASE PLATE

TABLE 17: BASE PLATE

INDEX	PART NUMBER	DESCRIPTION	QTY.
1	9900098	COTTER PIN 3/32 X 3/4 IN	2
2	6231087	BRACKET-BASE PLATE	2
3	1411194	SLIDE-BASE PLATE-R.H.	1
4	1581050	BASE PLATE ASSY-32"-MILLENNIA	1
5	1411195	SLIDE-BASE PLATE-L.H.	1

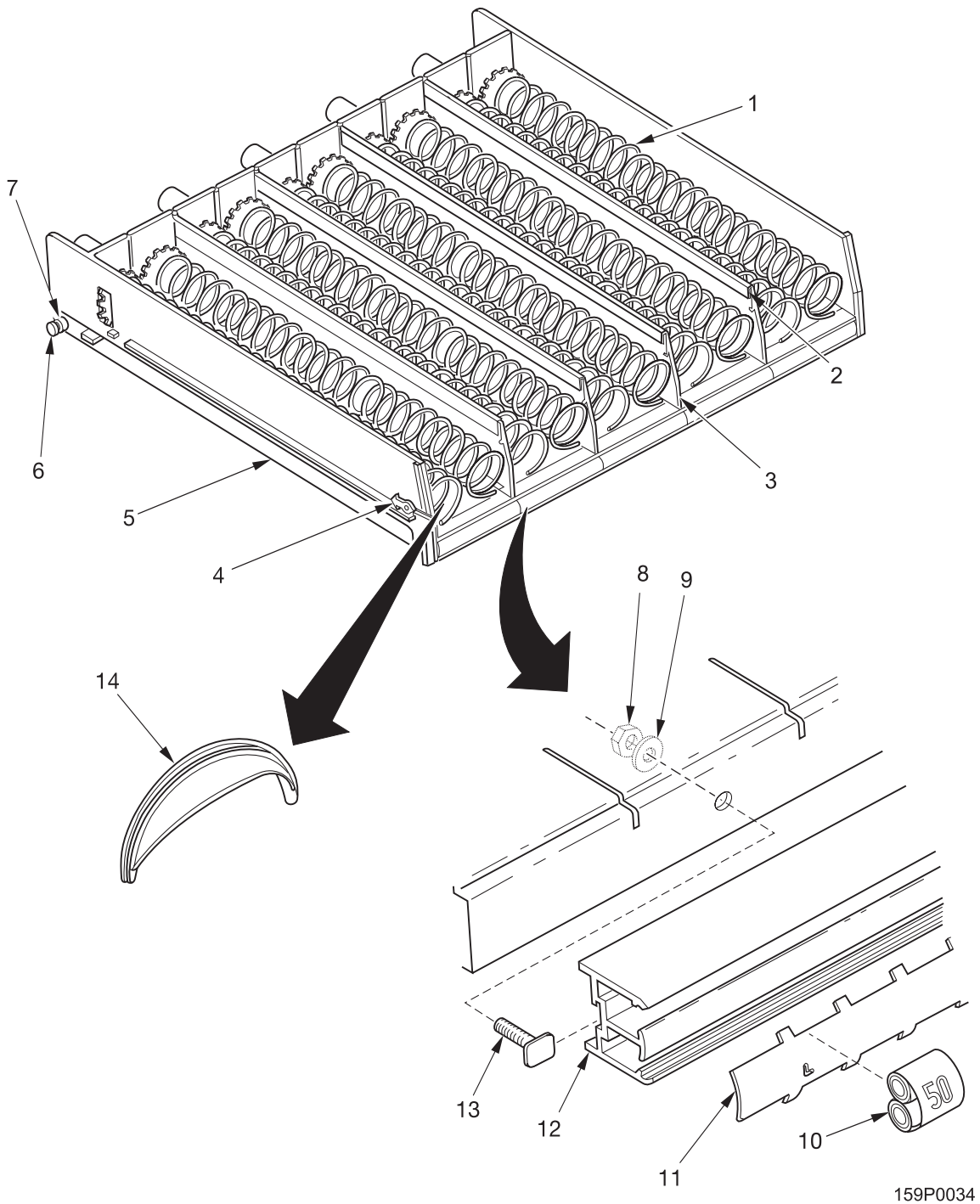


FIGURE 18: SNACK TRAY ASSY

TABLE 18: SNACK TRAY ASSY

INDEX	PART NUMBER	DESCRIPTION	QTY
--	1597001	SNACK TRAY ASSEMBLY - 5 SNACK	
	1470811	SNACK TRAY ASSEMBLY - 5 SNACK	
1	--	SPIRAL AND RETAINER ASSEMBLY (SEE TABLE 23B ON PAGE 49)	--
2	1677193	SPACER - ADJUSTABLE	4
3	1477175	WALL - TRAY	4
4	1477017	LATCH	1
5	1577040	TRAY - 5 & 10 DIVISION	1
6	1477097	AXLE - TRAY ROLLER	2
7	1477148	ROLLER - TRAY	2
8	9900030	NUT #8-32 SELF - LOCKING	3
9	5560113	WASHER - HOPPER RELEASE	3
10	--	PRICE ROLLS (SEE TABLE 23A ON PAGE 48)	--
11	1477157	HOLDER - PRICE & SELECTION	1
12	1477134	RAIL - PRICE & SELECTION	1
13	2222031	TEE BOLT - TRIM	3
14	1477074	PUSHER - PRODUCT	10

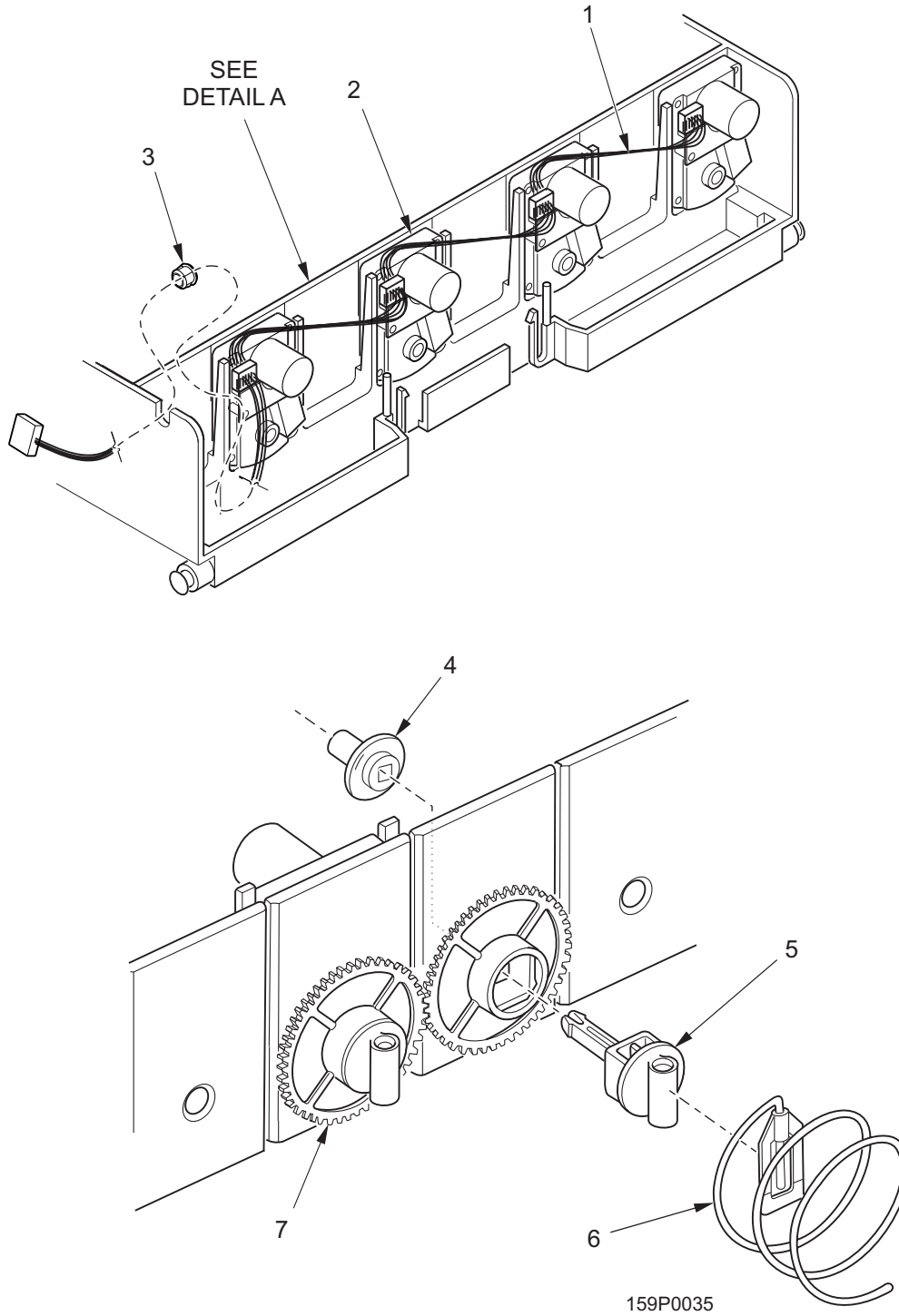


FIGURE 19: SNACK TRAY ASSY - REAR

TABLE 19: SNACK TRAY ASSY - REAR

INDEX	PART NUMBER	DESCRIPTION	QTY.
1	1679010	HARNESS - 5 MOTOR TRAY	1
2	1577038	MOTOR & PCB ASSEMBLY	5
3	9989821	BUSHING - 0.512 DIAMETER	1
4	1477022	BEARING - COUPLER	5
5	1477113	COUPLING - SPIRAL	10
6	--	SPIRALS (SEE TABLE 23B ON PAGE 49)	--
7	1477020	GEAR - TRAY	10

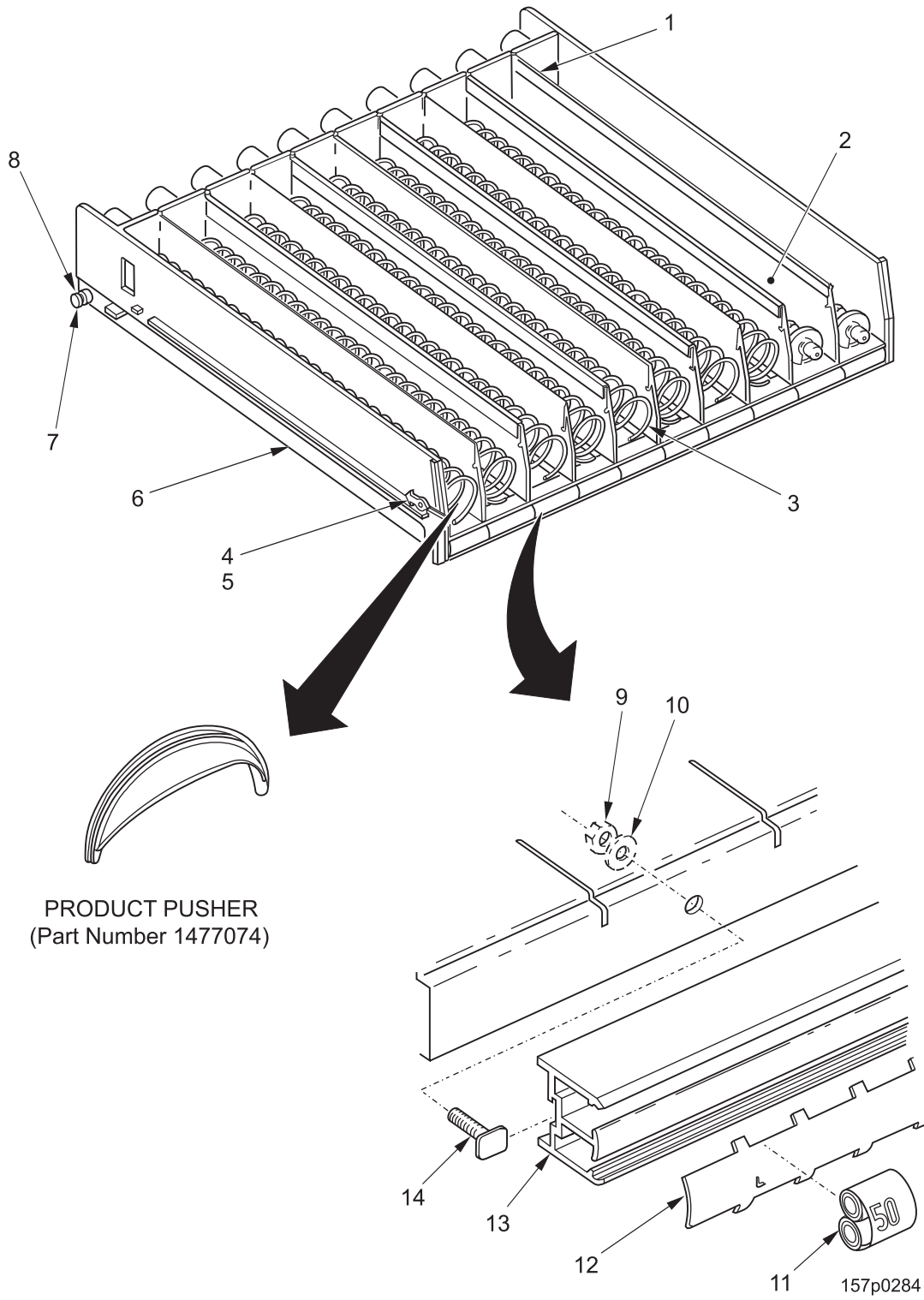


FIGURE 20: CANDY TRAY ASSY

TABLE 20: CANDY TRAY ASSY

INDEX	PART NUMBER	DESCRIPTION	QTY.
	1597002	CANDY TRAY ASSEMBLY - 10 MOTOR	
	1470812	CANDY TRAY ASSEMBLY - 10 MOTOR	
1	1477175	WALL - TRAY	9
2	1677193	SPACER - ADJUSTABLE	4
3	--	SPIRALS (SEE TABLE 23B ON PAGE 49)	--
4	1477017	LATCH	1
5	5201267	PUSH-ON RETAINER - .312	2
6	1577040	TRAY - 5 & 10 DIVISION	1
7	1477097	AXLE - TRAY ROLLER	2
8	1477148	ROLLER - TRAY	2
9	9900030	NUT #8-32 SELF-LOCKING	3
10	5560113	WASHER - HOPPER RELEASE	3
11	--	PRICE ROLLS (SEE TABLE 23A ON PAGE 48)	10
12	1477157	HOLDER - PRICE & SELECTION	1
13	1477134	RAIL - PRICE & SELECTION	1
14	2222031	TEE BOLT - TRIM	3

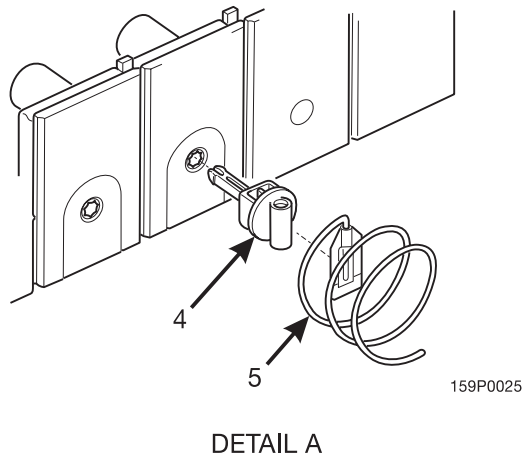
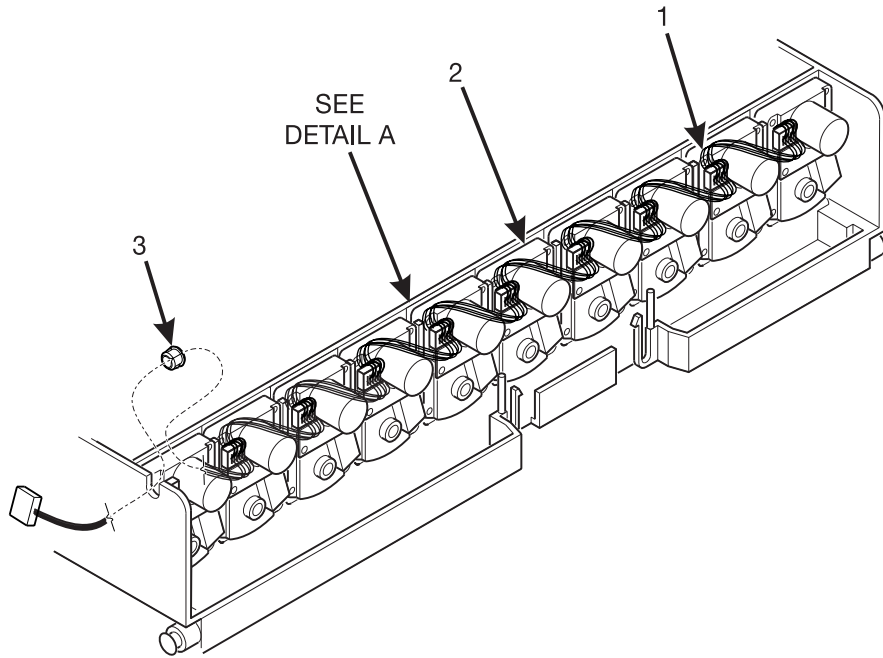


FIGURE 21: CANDY TRAY - REAR

TABLE 21: CANDY TRAY REAR

INDEX	PART NUMBER	DESCRIPTION	QTY.
1	1679011	HARNESS - 10 MOTOR TRAY	1
2	1577038	MOTOR & PCB ASSEMBLY	10
3	9989821	BUSHING	1
4	1477113	COUPLING - SPIRAL	10
5	--	SPIRALS (SEE TABLE 23B ON PAGE 49)	--

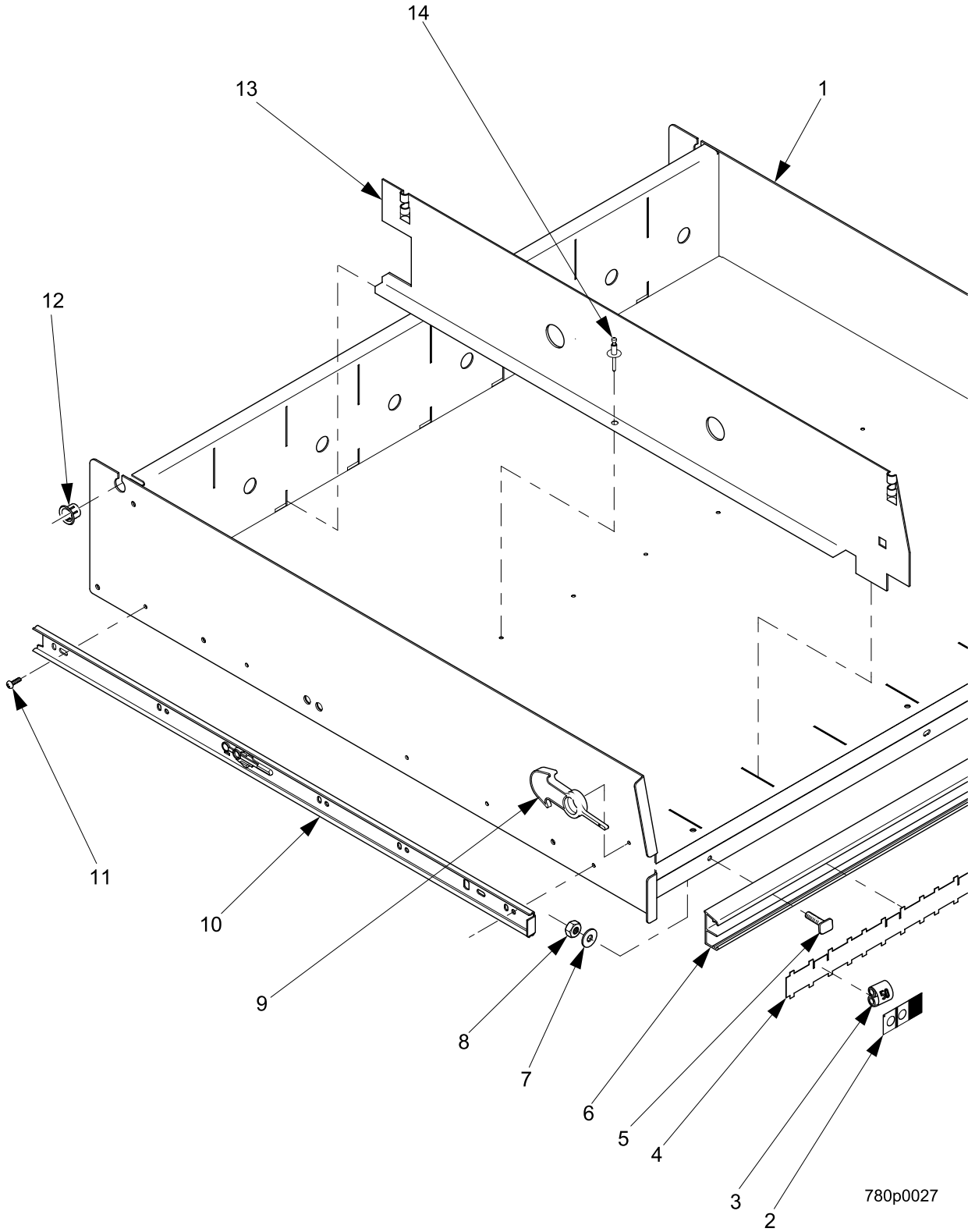
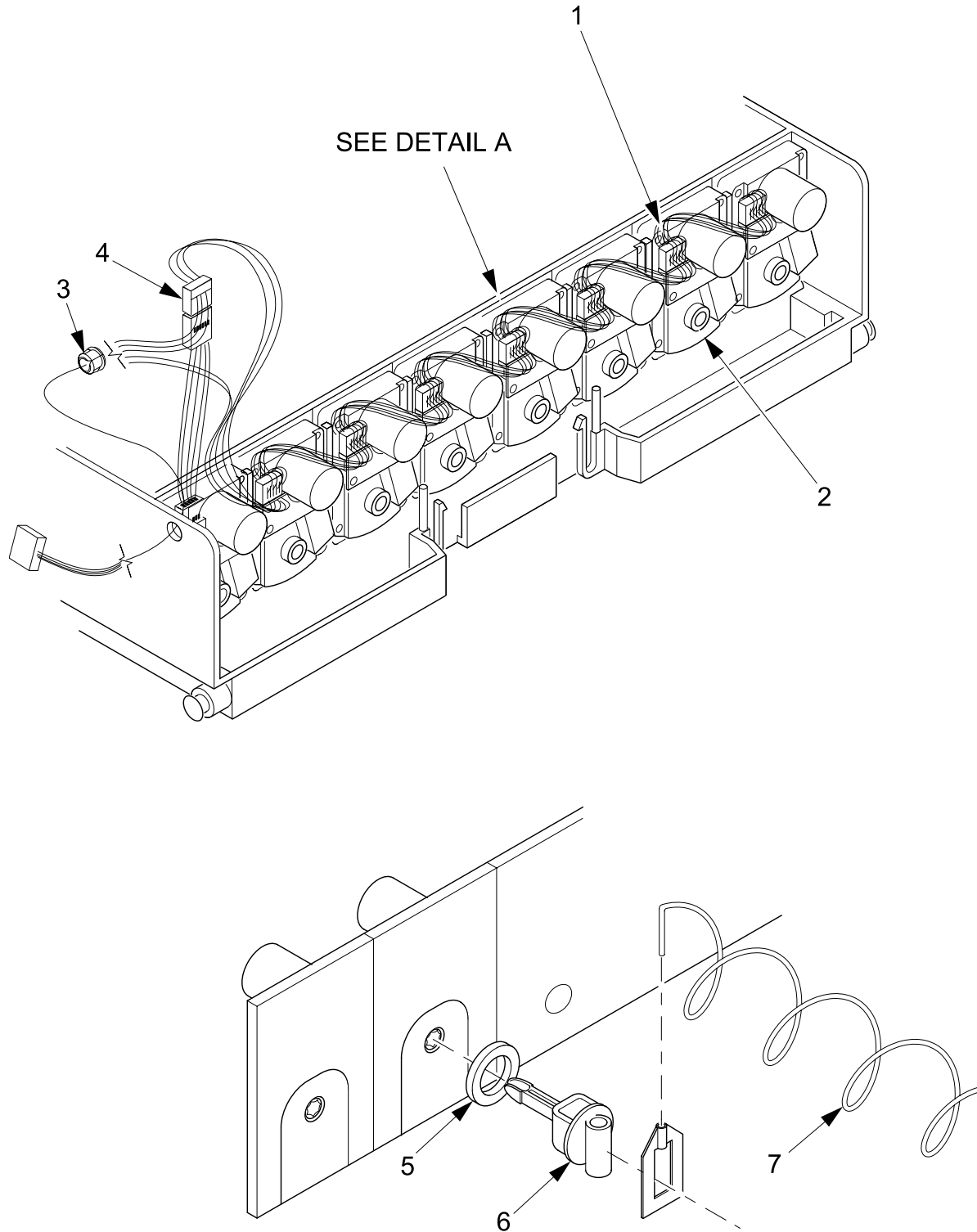


FIGURE 22: BOTTLE TRAY

TABLE 22: BOTTLE TRAY

INDEX	PART NUMBER	DESCRIPTION	QTY
--	7807000	BOTTLE TRAY ASSEMBLY	--
1	7807005	TRAY ASSEMBLY WELDED	1
2	--	PRICE ROLLS (SEE TABLE 23A ON PAGE 48)	--
3	1577047	LABEL-ITEM LETTERS-A0-A9	1
	1577048	LABEL-ITEM LETTERS-B0-B9	1
	1577049	LABEL-ITEM LETTERS-C0-C9	1
	1577050	LABEL-ITEM LETTERS-D0-D9	1
	1577051	LABEL-ITEM LETTERS-E0-E9	1
	1577052	LABEL-ITEM LETTERS-F0-F9	1
4	7807002	HOLDER-PRICE & SELECTION	1
5	2222031	TEE BOLT-TRIM	3
6	7807001	RAIL-PRICE & SELECTION	1
7	5560113	WASHER-HOPPER RELEASE	3
8	9900030	NUT #8-32 SELF-LOCKING	3
9	1477017	LATCH	1
10	7801055	SLIDE-TRAY	2
11	4312217	SCREW#8-32 X.50 PHILLIPS-PN HD	4
12	9989821	BUSHING-0.512 DIAMETER	1
13	1477175	WALL-TRAY	7
14	3502078	RIVET-POP-.125 DIA X .265	7



DETAIL A

780p0028

FIGURE 23: BOTTLE TRAY - REAR

TABLE 23: BOTTLE TRAY - REAR

INDEX	PART NUMBER	DESCRIPTION	QTY.
1	7809007	HARNESS-8 MOTOR TRAY	1
2	1577038	MOTOR & PC BOARD ASSEMBLY	8
3	9989821	BUSHING-0.512 DIAMETER	1
4	1599024	HARNESS-MOTOR COUPLER	--
5	1477113	COUPLING-SPIRAL	8
6	--	SPIRAL (SEE TABLE 23B ON PAGE 49)	--

TABLE 23A: PRICE ROLLS (FOR TRAYS)

PART NUMBER	DESCRIPTION
1477014	PRICE ROLL - CENTS
1477015	PRICE ROLL - DOLLARS
1687001	PRICE ROLL - 1 TO 25 PRICE - DOLLARS
1687002	PRICE ROLL - 26 TO 50 PRICE - DOLLARS
1672065	PRICE ROLL - PRICE - UK - RANGE 1-5 KB
1472273	PRICE ROLL - U.K. - 1L/10L 40P/95P
1472274	PRICE ROLL - U.K. - 1L/10L 8P/35P
1572205	PRICE ROLL - UK - 36P TO 62P + FREE KB
1572206	PRICE ROLL - UK, 63P TO 90P, KB
1477123	PRICE ROLL - 0 TO 25 - UK/GER/FR KB
1577004	PRICE ROLL - 000 TO 250 YEN
1577003	PRICE ROLL - 1 TO 9/10 TO 90 YEN
1577005	PRICE ROLL - 260 TO 500 YEN
1577006	PRICE ROLL - 510 TO 760 YEN
1577007	PRICE ROLL - 770 TO 990 YEN

TABLE 23B: SPIRAL OPTIONS

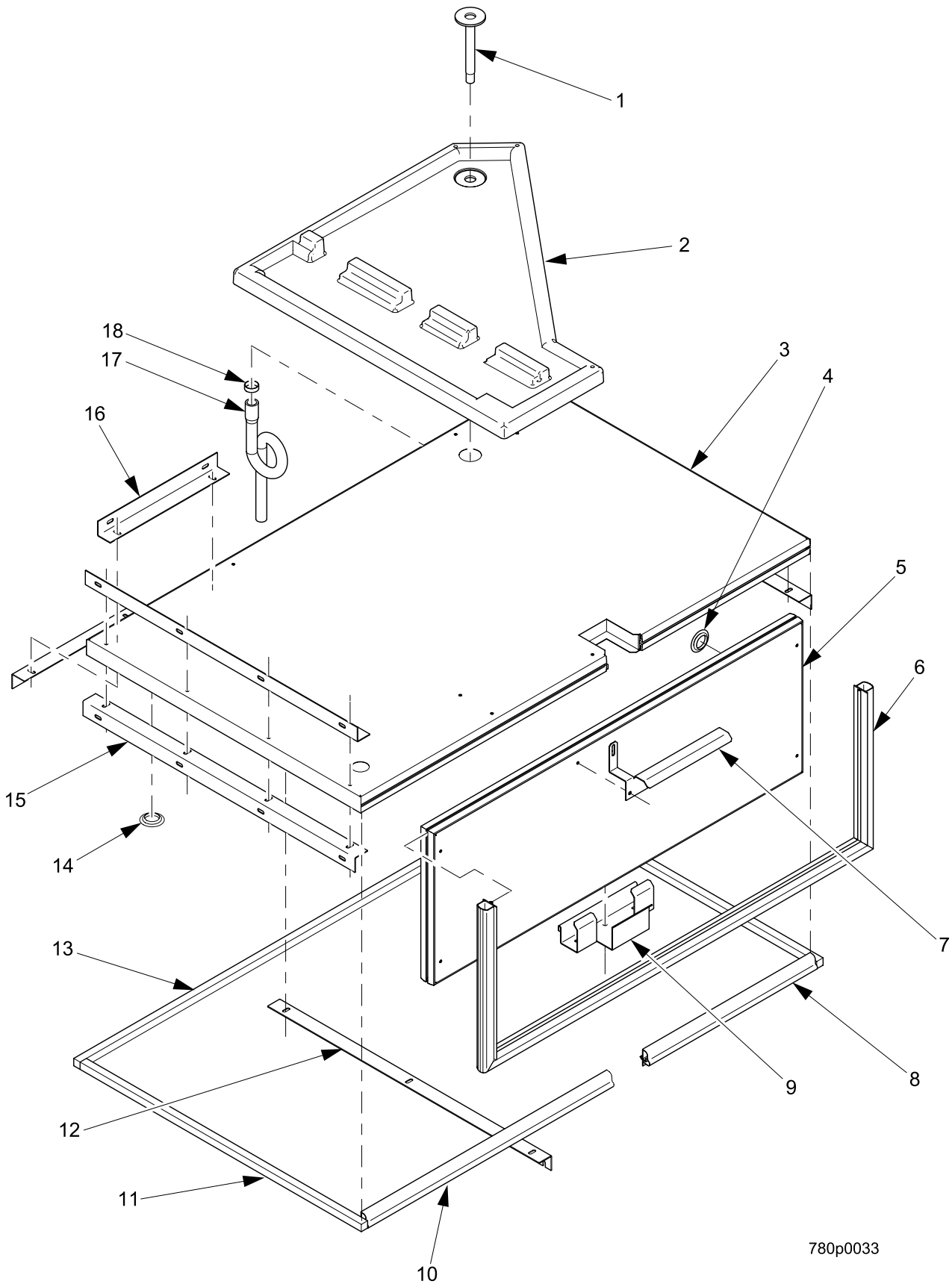
		COUNTER CLOCKWISE LEFT HAND		CLOCKWISE RIGHT HAND		
SPIRAL COUNT	RETAINER COLOR	ASSEMBLY	SPIRAL	ASSEMBLY	SPIRAL	RETAINER
6	PURPLE	1477103	1477102	1477105	1477104	1477107
9	GRAY	1477152	1477153	1477149	1477150	1477155
11	BLUE	1477023	1477024	1477026	1477027	1457061
13	YELLOW	1477029	1477030	1477032	1477033	1457062
15	RED	1477035	1477036	1477038	1477039	1457063
17	BROWN	1477101	1477100	1477099	1477098	1477106
20	WHITE	1477041	1477042	1477044	1477045	1457064
25	GREEN	1477047	1477048	1477050	1477051	1457065
30	BLACK	1477053	1477054	1477056	1477057	1477073
38	ORANGE	1477059	1477060	1477062	1477063	1467137

Note:

Bottle trays use a 3.25" diameter spiral.

TABLE 23C: BOTTLE TRAY

BOTTLE TRAY SPIRAL OPTION				
SPIRAL COUNT	RETAINER COLOR	ASSEMBLY	SPIRAL	RETAINER
6	DARK GREEN	7807011	7807003	4407822
7	RED	7807015	7807016	1457063

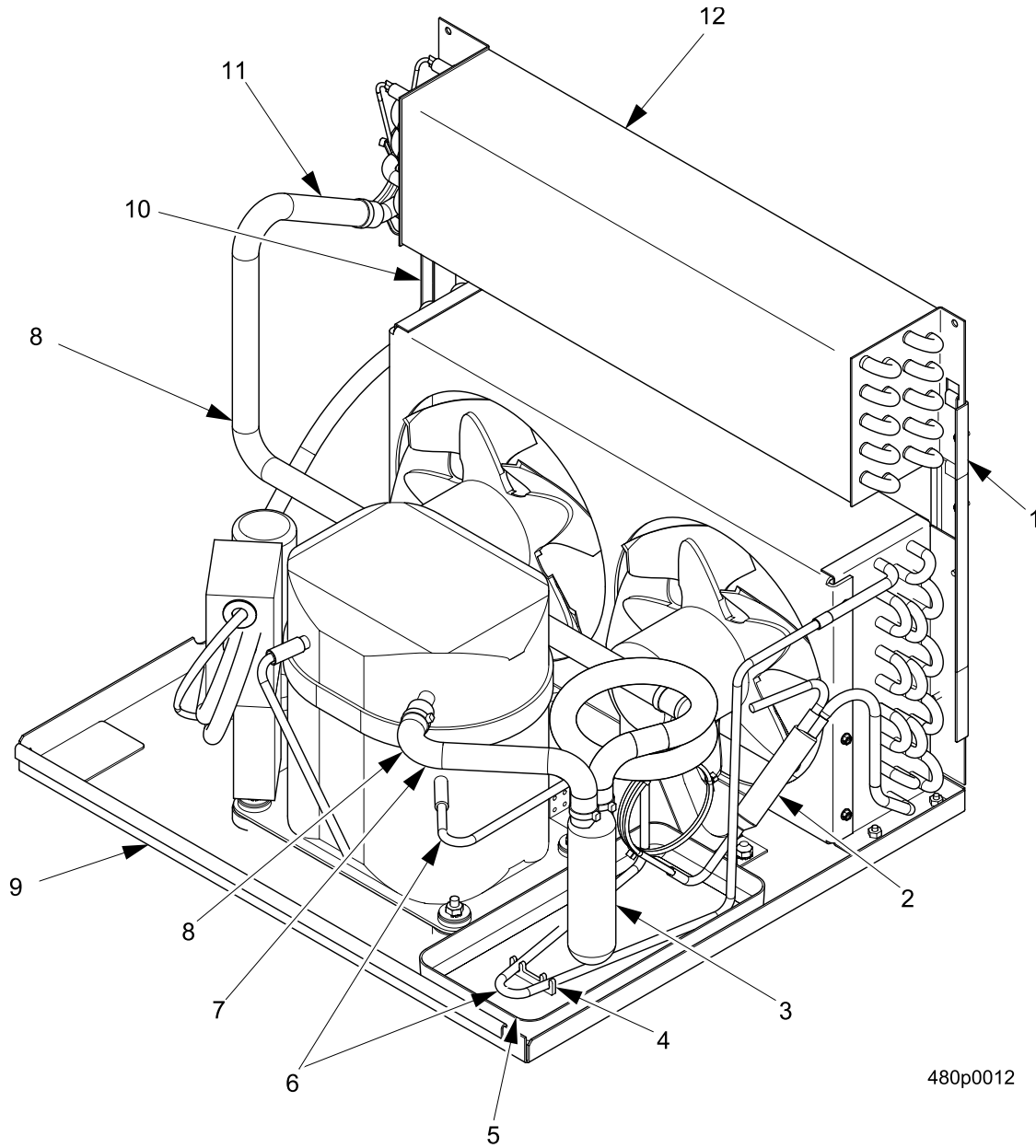


780p0033

FIGURE 24: EVAPORATOR PAN ASSY

TABLE 24: EVAPORATOR PAN ASSY

INDEX	PART NUMBER	DESCRIPTION	QTY
1	3128063	DRAIN-WATER BATH	1
2	7801036	DRAIN PAN	1
3	7801165	DIVIDER SHELF	1
4	6231034	PLUG-HOLE	1
5	7801132	VERTICAL WALL ASSY FOAMED	1
6	7801015	GASKET-VERTICAL WALL	1
7	7801163	BRACKET UPPER VERTICAL WALL	1
8	7801062	GASKET-HORZ. SHELF SHORT	1
9	7801162	BRACKET LOWER VERTICAL WALL	1
10	7801061	GASKET-HORZ. SHELF LONG	1
11	4727069	GASKET-.19X.38	2
12	7801182	ANGLE AIR SEAL	1
13	7801064	GASKET-HORIZONTAL SHELF BACK	1
14	6231034	PLUG-HOLE	2
15	7801137	BRACKET LONG HORZ. SHELF	3
16	7801138	BRACKET SHORT HORIZ. SHELF	2
17	4321042	HOSE-DRAIN	1
18	3154059	CLAMP-STAINLESS STEEL	1



480p0012

FIGURE 25: REFRIGERATION ASSY (1 OF 2)

TABLE 25: REFRIGERATION ASSY (1 OF 2)

INDEX	PART NUMBER	DESCRIPTION	QTY
--	7804000	REFRIG. ASSY MODEL 780, 115V	--
	7804001	REFRIG. ASSY MODEL 780, 220V	
1	7804008	BRACKET-SHIPPING-LEFT	1
2	4364034	FILTER/DRIER-REFRIGERANT	1
3	4244009	ACCUMULATOR P-H 22-056380-01	1
4	4304076	SPACER-COMP.DISCH.TUBE	1
5	4324030	PAN-CONDENSATE	1
6	4324027	TUBE-DISCH LINE-COMPR TO CON	1
7	4324006	INSULATION-TUBE-5X.1875 CPE	59.5
8	4324025	TUBE-SUCTION LINE-ACCUM TO COM	1
9	4324004	BASE/STUD ASSY-REFRIG. UNIT	1
10	7804011	BRACKET-SHIPPING/SEALING RIGHT	1
11	7804010	HEAT EXCHANGER ASSY	1
12	7804006	EVAPORATOR COIL 4 ROW	1

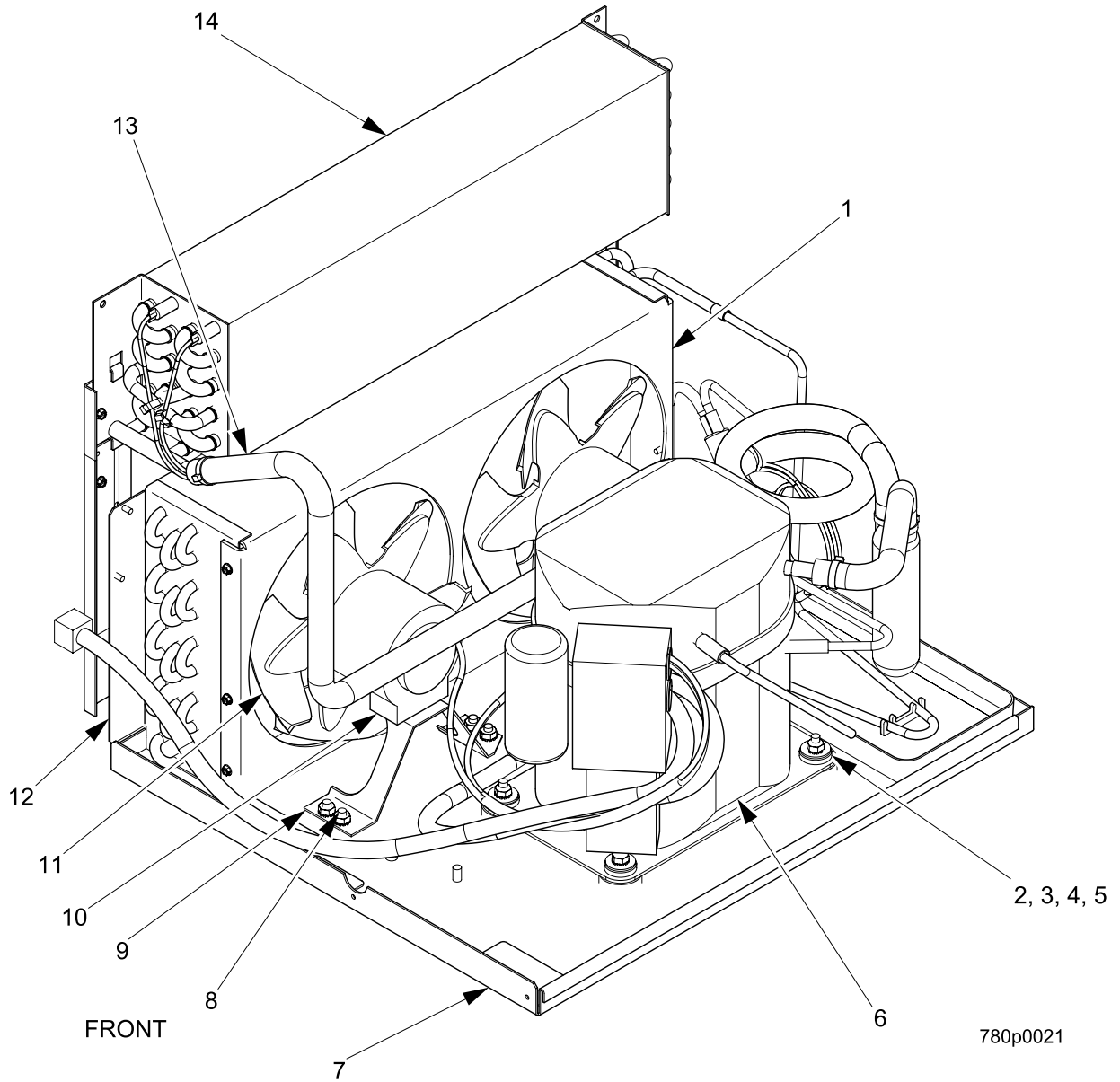


FIGURE 26: REFRIGERATION ASSY (2 OF 2)

TABLE 26: REFRIGERATION ASSY (2 OF 2)

INDEX	PART NUMBER	DESCRIPTION	QTY
1	4324016	SHROUD-CONDENSER-CARDBOARD	1
2	1211105	1/4-20 KEPS NUT EXT LW ZP	4
3	4304236	WASHER-.88 O.D.X.38 I.D.X.063	4
4	4324012	GROMMET-11/16 HEIGHT	4
5	4324013	SLEEVE-11/16 LENGTH	4
6	4274000	COMPRESSOR-AKA4460YXA 115V 60H	1
	4314055	COMPRESSOR-AKA4476YXC 220V-R134A	
7	4324004	BASE/STUD ASSY-REFRIG. UNIT	1
8	9900081	NUT #8-32 KEPS ZINC PLATE	4
9	4324044	BRACKET-MOTOR MOUNT	2
10	4304092	MOTOR-CONDENSER FAN	2
	4774122	MOTOR-CONDENSER FAN-230V	
11	7214014	BLADE-CONDENSER FAN	2
12	4324014	CONDENSER-9 X 17.5 3R7 FPI	1
13	7804010	HEAT EXCHANGER ASSY	1
14	7804006	EVAPORATOR COIL 4 ROW	1

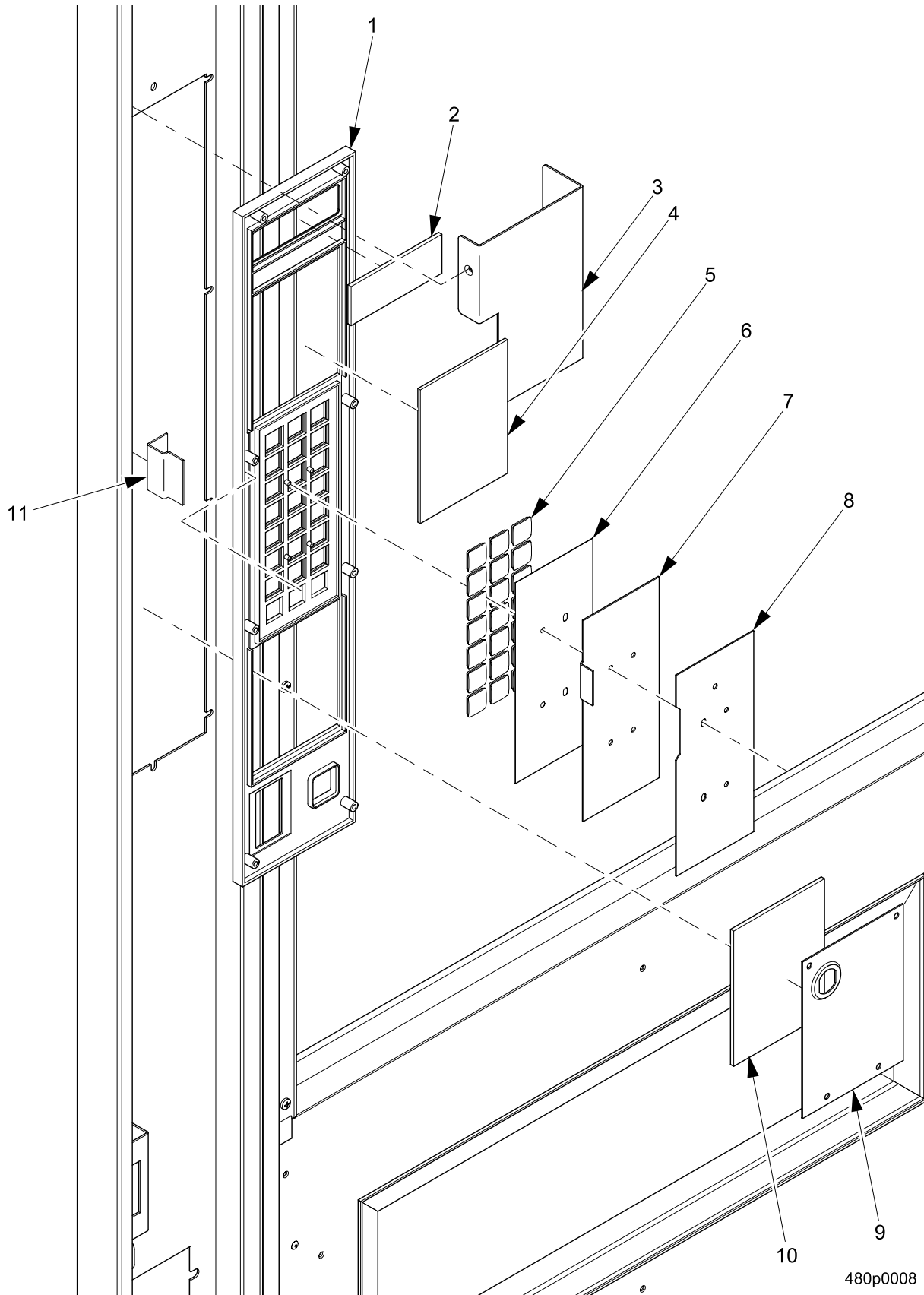
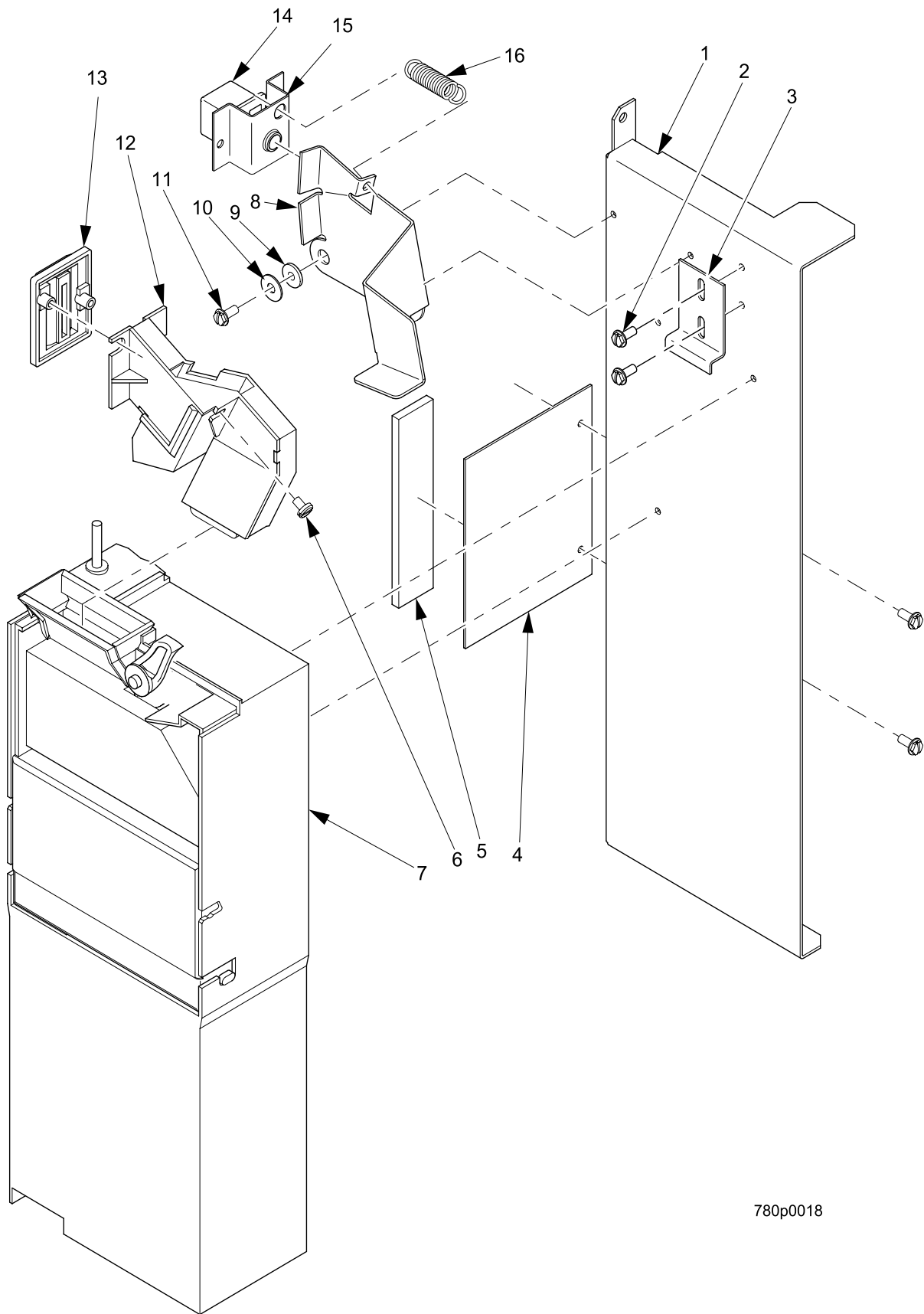


FIGURE 27: MONETARY ASSY

480p0008

TABLE 27: MONETARY ASSY

INDEX	PART NUMBER	DESCRIPTION	QTY
--	1595017	FACEPLATE ASSEMBLY-GPL	--
1	1595013	FRAME-MONETARY PANEL-GPL	1
2	1595014	LENS-DISPLAY-GPL	1
3	1575029	COVER-DISPLAY	1
4	1725004	UPPER INSERT-GPL-POSIVEND	1
5	1472251	LENS-PUSH BUTTON	21
6	1575010	LETTER SHEET-SELECT SWITCH	1
7	7215019	MEMBRANE SWITCH ASSY-SELECT	1
8	1575091	PLT-SELECT SW.-BACKUP-W/STUD	1
--	1475089	1/8 NUT-SELF-THREADING(NOT SHOWN)	4
9	1575048	PLATE-INSERT BACKING	1
10	1575035	INSERT-INSTR-LOWER-ENGLISH	1
11	7802067	GUIDE-LOCK BAR	1



780p0018

FIGURE 28: COIN MECH BRACKET

TABLE 28: COIN MECH BRACKET

INDEX	PART NUMBER	DESCRIPTION	QTY
1	7805007	BACKBOARD & HINGE ASSY	1
2	9900106	SCREW #8-32 X 3/8 ACORN HEX HD	2
3	6231037	CLAMP-CABLE	1
4	7805009	BRACKET-MAGNET	1
5	3122056	MAGNET-RETAINR-COIN CHANGER KB	1
6	6237049	SCREW-#8-16X.25-SLTD-PHS	2
--	2302053	SPACER-CUP(NOT SHOWN)	4
7	--	COIN MECH (SEE TABLE 30D ON PAGE 65)	OPT
8	1571113	ARM-SCAVENGER	1
9	2204093	WASHER-SCAVENGER BAR	1
10	2228011	SPACER-RELEASE ARM	1
11	4741050	SCREW-#8-32 X .50 HX.HD.-T/F-B	1
12	1575003	COIN CHUTE ASSEMBLY	1
13	1472223	COIN INSERT	1
14	1475026	BUTTON-COIN RETURN	1
--	1475072	SHAFT-RETURN BUTTON(NOT SHOWN)	1
15	1571079	BRACKET-COIN RETURN BUTTON	1
16	1127808	SPRING-SHELF RESET	1

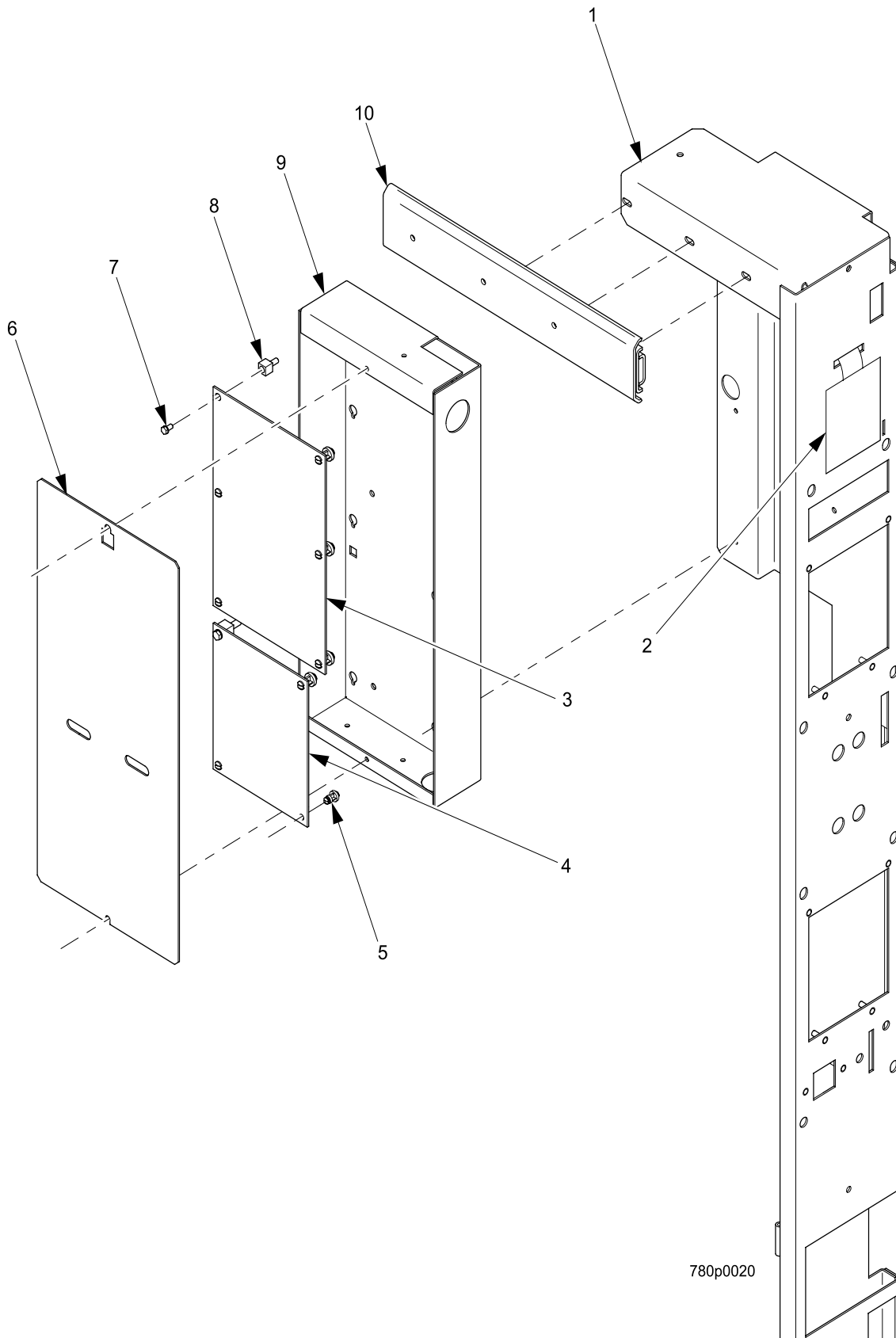
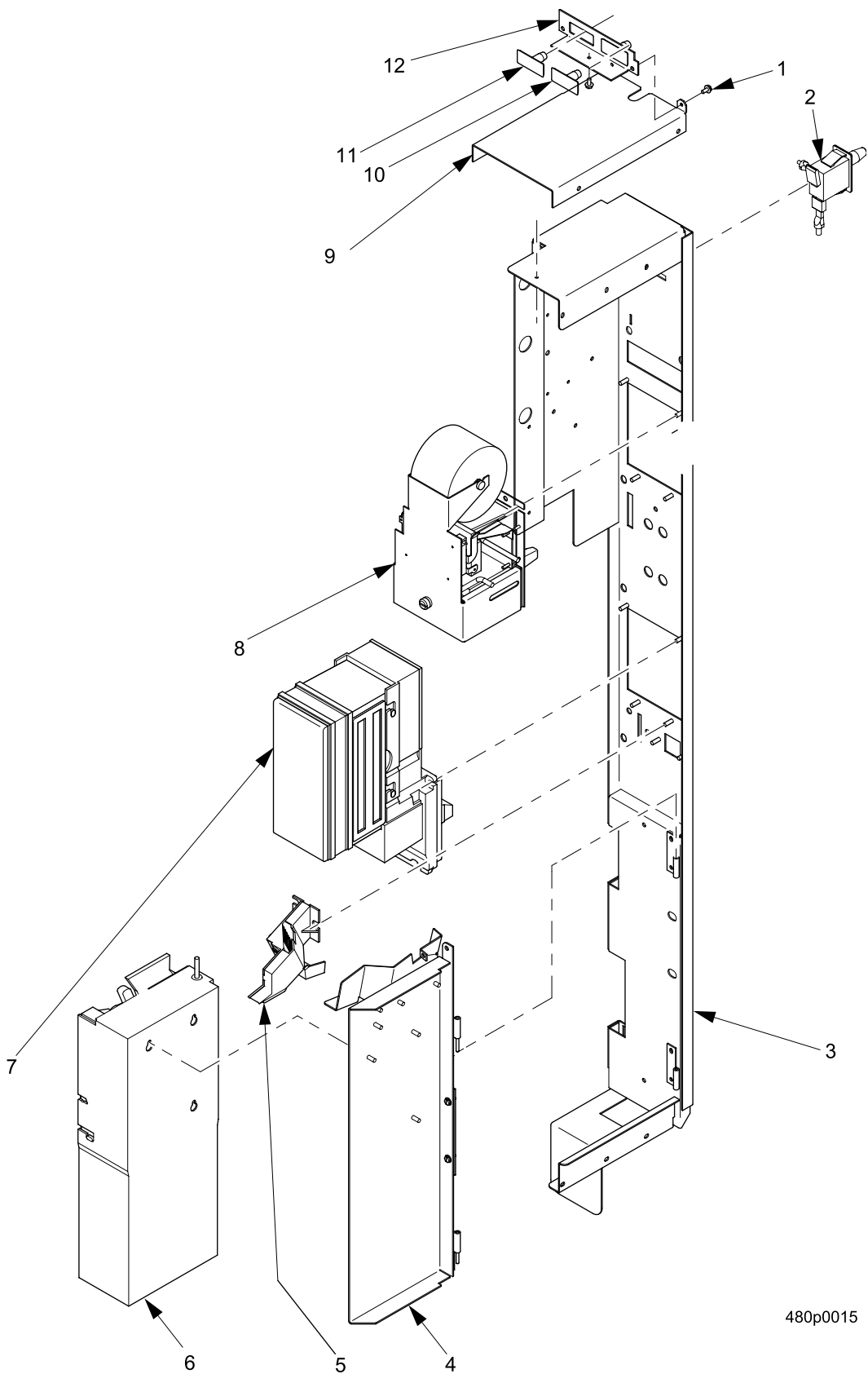


FIGURE 29: CONTROL BOARD

TABLE 29: CONTROL BOARD

INDEX	PART NUMBER	DESCRIPTION	QTY
1	7805008	PANEL-MONETARY-WELD ASSY	1
2	7215025	MEMBRANE SWITCH ASSY-PROGRAM	1
3	9989755	PCB ASSY-MAIN CONTROLLER	1
4	1576008	PCB ASSY-SNACK INTERFACE	1
5	1571036	STANDOFF-PCB-.375 KEY SLOT	10
6	7805002	COVER-HOUSING-PCB	1
7	1471199	SCREW-#8-18 X .62 HEX/WH.	2
8	1571034	STANDOFF-PCB-3/8 SCREW MOUNT	2
9	7805001	HOUSING-PCB	1
10	7211229	SLIDE-MONETARY	2



480p0015

FIGURE 30: CARD READER AND BILL VALIDATOR COMBINATIONS

TABLE 30: CARD READER AND BILL VALIDATOR COMBINATIONS

INDEX	PART NUMBER	DESCRIPTION	QTY
1	1451097	SCREW-#8-32X.31 HEX HD.TF-BLK.	4
2	9989594	SWITCH-PUSH/PULL-PNL MTG.	1
3	7805008	PANEL-MONETARY-WELD ASSY	1
4	7805007	BACKBOARD & HINGE ASSY	1
5	1575003	COIN CHUTE ASSEMBLY	1
6	--	COIN MECH (SEE TABLE 30D:)	--
7	--	UPSTACK BILL VALIDATOR (SEE TABLE 30C:)	--
8	--	CARD READER (SEE TABLE 30B:)	--
9	7801078	BRACKET-ALIGNMENT	1
10	1211141	SWITCH	1
11	7801076	BRACKET-INTERLOCK SWITCH-DOM.	1
	7801077	BRACKET-2 INTERLOCK SWITCH-(230V ONLY UNITS)	
12	2366135	SWITCH-INTERLOCK (230V ONLY)	

TABLE 30A: MONETARY CAPABILITY

MONETARY CAPABILITY	MONETARY PANEL LOCATION		WITH COIN?
	UPPER	LOWER	
COIN - VAL - CARD	CARD READER	UPSTACK VALIDATOR	YES
COIN - VAL - CARD	DOWNSTACK VALIDATOR	CARD READER	YES
COIN - VALIDATOR	INSERT INSTRUCTIONS BACK-UP PLATE (1575048)	UPSTACK VALIDATOR	YES
COIN - VALIDATOR	DOWNSTACK VALIDATOR	INSERT INSTRUCTIONS BACK-UP PLATE (1575048)	YES
COIN - CARD	INSERT INSTRUCTIONS BACK-UP PLATE (1575048)	CARD READER	YES
COIN - CARD	CARD READER	INSERT INSTRUCTIONS BACK-UP PLATE (1575048)	YES
VALIDATOR - CARD	DOWNSTACK VALIDATOR	CARD READER	NO
VALIDATOR - CARD	CARD READER	DOWNSTACK VALIDATOR	NO
COIN ONLY	INSERT INSTRUCTIONS BACK-UP PLATE (1575048)	INSERT INSTRUCTIONS BACK-UP PLATE (1575048)	YES
VALIDATOR ONLY	INSERT INSTRUCTIONS BACK-UP PLATE (1575048)	UPSTACK VALIDATOR	NO
VALIDATOR ONLY	DOWNSTACK VALIDATOR	INSERT INSTRUCTIONS BACK-UP PLATE (1575048)	NO
CARD ONLY	CARD READER	INSERT INSTRUCTIONS BACK-UP PLATE (1575048)	NO
CARD ONLY	INSERT INSTRUCTIONS BACK-UP PLATE (1575048)	CARD READER	NO

Note:
All Items are secured with four Nuts (p/n 9900081).
Shaded Items Represent Alternate Configurations

TABLE 30B: CARD READER OPTIONS

PART NUMBER	DESCRIPTION
5900246	DEBITEK - KVIS - MDB
1575050	BRACKET - DEBITEK CONTROLLER

TABLE 30C: BILL VALIDATOR OPTIONS

PART NUMBER	DESCRIPTION	HARNESS
5900210	W/MARS VN2512-U5M**MDB**-S	1679054
5900247	W/MARS AE2612-U5M**MDB**-S	1679054
5900290	VALIDATOR-COINCO MAGPRO52R KB	
5900267	P W/CONLUX NBM-3140**MDB***-	

TABLE 30D: COIN MECHANISM OPTION

PART NUMBER	DESCRIPTION
5900289	MARS COIN-VN4510*MDB*-DBL
5900279	CONLUX CCM5G-4 1N 1D 2Q 1\$
5900307	MEI CF7512 1N,1D,2Q,\$
5900295	CONLUX 5TB CCM5G1 1D,1N,3Q
5900293	CONLUX CCM56-2 2N,2D,1Q
5900269	COINCO USQ G701 MDB-4 TUBE
5900270	COINCO USQ G702 MDB-2Q,1N,
5900243	MARS TRC6512**"MDB""*COIN
5900213	COINCO 9302-GX**"MDB""*COIN
5900310	MARSCF 7512 2Q,2N,1D
5900313	COINCO VORTEX CHANGER
5900214	COINUNIT-MEI-VN4510-5/10/25/\$1
5900276	COIN UNIT-VN4510-5/10/25/25 KB

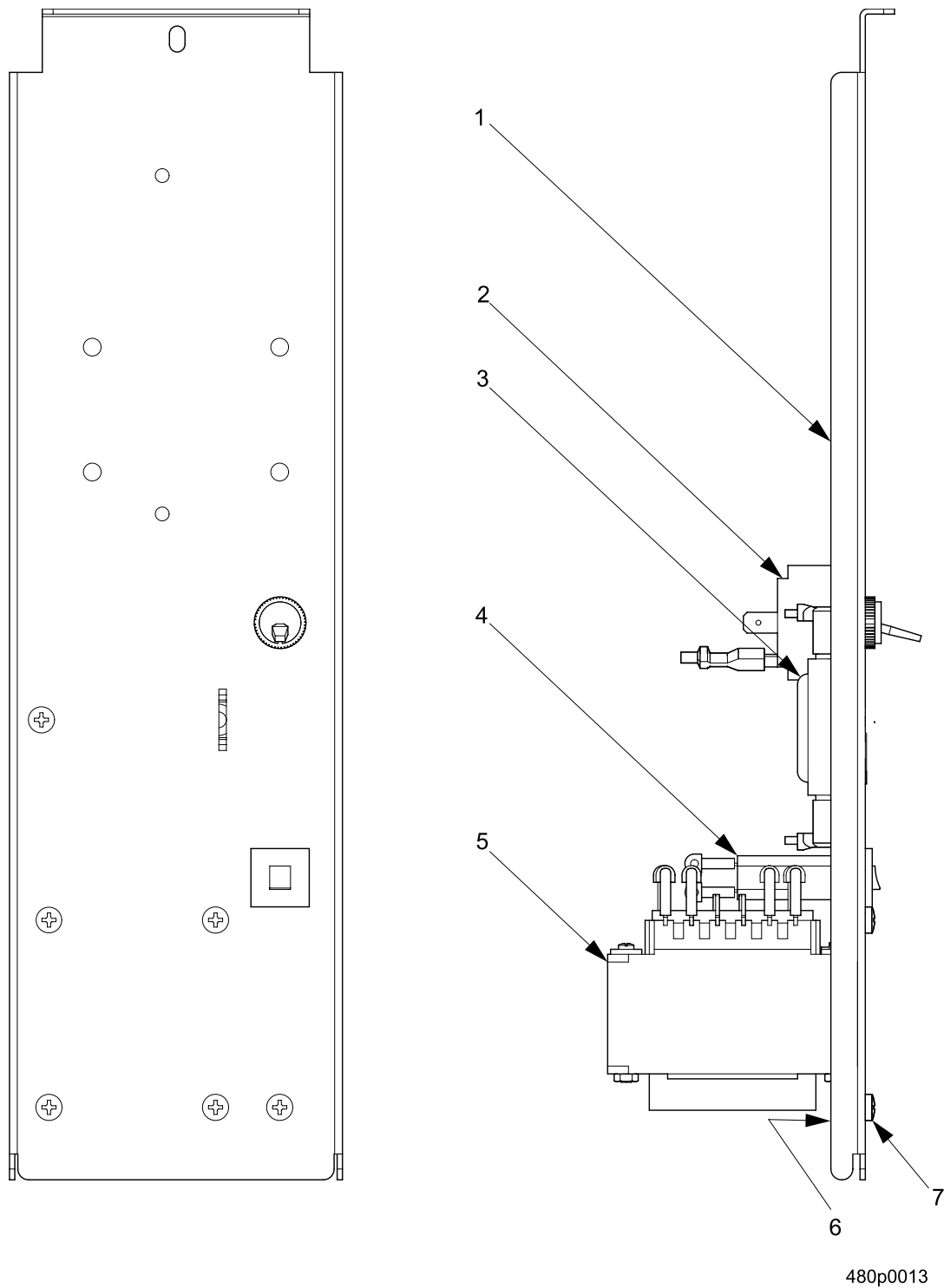


FIGURE 31: POWER PANEL ASSY

TABLE 31: POWER PANEL ASSY

INDEX	PART NUMBER	DESCRIPTION	QTY
--	3281092	POWER PANEL ASSY-DOM. 20 AMP	--
	4521053	POWER PANEL ASSY-230V-U.K.	
1	1701037	PLATE-HOUSING-PANEL(CP7-7)	1
2	9984629	SWITCH-TOGGLE-DPST-20AMP	1
3	9989100	INTERFERENCE FILTER	1
4	9989674	CIRCUIT BREAKER-4 AMP	1
5	9989046	24V XFMR-DUAL PIR.-.187 TERM.	1
6	9900081	NUT #8-32 KEPS ZINC PLATE	6
7	9900118	SCREW-#8-32 X 3/8 PHS	6

TABLE 32: HARNESESSES

CONNECTOR	HARNESS	PART NUMBER
J1	HARNESS-MAIN CONTROL TO SENSOR	1679012
J2	HARNESS-EMITTER TO DETECTOR	1679013
J30	CABLE RIBBON-16 CONDUCTOR	1579008
J31	JUMPER-TEMP & DRIVER	7809001
J33	HARNESS-CONTROL TO DISPLAY	1599200
J34	HARNESS-MAIN CONTROL TO SENSOR	1679012
J35	HARNESS-POWER PANEL	6739021
J37	HARNESS-24VAC PCB & COIN POWER	9989750
J38	HARNESS-24VAC PCB & COIN POWER	9989750
J39	HARNESS-MONETARY**"MDB"***	1679054
J45	HARNESS-CONTROL TO DISPLAY	1599200
J46	MEMBRANE SWITCH ASSY-SELECT	7215019
J47	SWITCH ASSY-FREE VEND	9989639
J48	JUMPER-MONETARY DOOR SWITCH	1579009
J49	SERVICE KEYPAD ASSEMBLY	1575046
J50	JUMPER-DOOR POWER	7809020
J51	JUMPER-DOOR POWER	7809020
J52	JUMPER-DOOR POWER	7809020
J53	JUMPER-DOOR POWER	7809020
J55	CABLE RIBBON-16 CONDUCTOR	1579008
J58	HARNESS-7 TRAY CHANNEL	7809011
J59	HARNESS-7 TRAY CHANNEL	7809011
J60	HARNESS-7 TRAY CHANNEL	7809011
J61	HARNESS-24VAC PCB & COIN POWER	9989750

TABLE 32: HARNESSES

CONNECTOR	HARNESS	PART NUMBER
J71	HARNESS-COMPRESSOR & FAN	7809022
J82	HARNESS-POWER PANEL	6739021
J83	HARNESS-POWER PANEL	6739021
J90	HARNESS-COMPRESSOR & FAN	7809022
J92	HARNESS-24VAC PCB & COIN POWER	9989750
J93A	HARNESS-24VAC PCB & COIN POWER	9989750
J94	HARNESS-POWER PANEL	6739021
J96	JUMPER-TRANSFORMER-120V-PRM.	1709001
J97	HARNESS-POWER PANEL	6739021
J100	JUMPER-INTERLOCK-DOMESTIC	1579010
J127	HARNESS-COMPRESSOR & FAN	7809022
J133	HARNESS-LIGHT & FILTER ASSY	7809005
J133A	HARNESS-LIGHT & FILTER ASSY	1679005
J135	JUMPER BALLAST & HEATER	7809021
J179	JUMPER-COMP & EVAP FAN	7809003

TABLE 32A: BAG ASSEMBLY

PART NUMBER	DESCRIPTION
B480001X	BAG ASSEMBLY:15
WD780005	W.D. RC-1 115V-230
1477015	ROLL-PRICE DOLLARS (KB)
1477083	RETAINER-SPIRAL-WALL
1577047	LABEL-ITEM LETTERS-A0-A9
1577048	LABEL-ITEM LETTERS-B0-B9
1577049	LABEL-ITEM LETTERS-C0-C9
1577050	LABEL-ITEM LETTERS-D0-D9
1577051	LABEL-ITEM LETTERS-E0-E9
1577052	LABEL-ITEM LETTERS-F0-F9
4800002	OPERATORS GUIDE RC-1
7809023	LIST HARNESS-RC-1

Refreshment Center Parts Manual

Part Number Index

Part Number	Page	Part Number	Page	Part Number	Page
1101906	21	1477047	47	1572330	15
1127808	57	1477048	47	1572334	15
1172190	3	1477050	47	1572335	15
1211105	53	1477051	47	1572353	11
1211141	59	1477053	47	1572356	15
1211161	25, 29	1477054	47	1572357	15
1302290	3	1477056	47	1572386	15
1302291	3	1477057	47	1572387	15
1302324	3	1477059	47	1572407	15
1302326	3	1477060	47	1572408	15
1411194	33	1477062	47	1572410	13
1411195	33	1477063	47	1572416	11, 13
1451097	19, 25, 29, 59	1477073	47	1572417	13
1457061	47	1477074	35	1572420	11
1457062	47	1477083	64	1572421	11
1457063	47	1477097	35, 39	1572423	11
1457064	47	1477098	47	1572424	13
1457065	47	1477099	47	1572425	11
1467137	47	1477100	47	1572452	11
1470761	21	1477101	47	1575003	57, 59
1470811	35	1477102	47	1575029	55
1470812	39	1477103	47	1575035	55
1471098	31	1477104	47	1575046	63
1471199	59	1477105	47	1575048	55, 60
1471237	31	1477106	47	1575050	61
1472178	3, 5	1477107	47	1575091	55
1472223	57	1477113	37, 41, 45	1575106	3
1472251	55	1477123	46	1576008	59
1472273	46	1477134	35, 39	1577003	46
1472274	46	1477148	35, 39	1577004	46
1475026	57	1477149	47	1577005	46
1475072	57	1477150	47	1577006	46
1475089	55	1477152	47	1577007	46
1477014	46	1477153	47	1577038	37, 41, 45
1477015	46, 64	1477155	47	1577040	35, 39
1477017	35, 39, 43	1477157	35, 39	1577047	43, 64
1477020	37	1477175	35, 39, 43	1577048	43, 64
1477022	37	1571034	59	1577049	43, 64
1477023	47	1571036	59	1577050	43, 64
1477024	47	1571074	19	1577051	43, 64
1477026	47	1571079	57	1577052	43, 64
1477027	47	1571113	57	1579008	63
1477029	47	1571115	31	1579009	63
1477030	47	1572010	3	1579010	64
1477032	47	1572011	3	1581050	33
1477033	47	1572205	46	1595002	55
1477035	47	1572206	46	1595013	55
1477036	47	1572303	15	1595014	55
1477038	47	1572304	15	1595017	55
1477039	47	1572315	11, 13	1596014	29
1477041	47	1572316	15	1597001	35
1477042	47	1572318	15	1597002	39
1477044	47	1572319	15	1599024	45
1477045	47	1572320	15	1599200	63

Part Number Index

Refreshment Center Parts Manual

Part Number	Page	Part Number	Page	Part Number	Page
1670912	3	4321150	19	7214014	53
1670913	3	4321156	19	7215019	55, 63
1670914	3	4324004	51, 53	7801015	49
1672050	17	4324006	51	7801036	49
1672051	17	4324012	53	7801049	29
1672065	46	4324013	53	7801052	29
1677193	35, 39	4324014	53	7801055	43
1679005	64	4324016	53	7801061	49
1679010	37	4324025	51	7801062	49
1679011	41	4324027	51	7801064	49
1679012	63	4324030	51	7801073	19
1679013	63	4324044	53	7801074	19
1679054	61, 63	4364034	51	7801075	19
1687001	46	4402043	27	7801076	59
1687002	46	4407822	47	7801077	59
1701037	63	4521053	63	7801078	27, 59
1709001	64	4721035	11	7801081	31
1725004	55	4727069	49	7801096	23
1726000	17	4741050	57	7801107	19
1726001	17	4744031	27	7801120	19
2204093	57	4774122	53	7801124	19
2221920	21	4800002	64	7801125	25
2222031	35, 39, 43	4802001	3	7801126	25
2222603	21	5201267	39	7801127	25
2222604	21	5560113	35, 39, 43	7801131	27
2228011	57	5900210	61	7801132	49
2272050	3	5900213	61	7801137	49
2302053	3, 57	5900214	61	7801138	49
2302218	7, 25	5900243	61	7801139	27
2342315	7	5900246	61	7801141	25
2366135	59	5900247	61	7801142	25, 29
3104124	27	5900267	61	7801143	19
3122056	57	5900269	61	7801144	27
3128063	49	5900270	61	7801145	27
3151058	25	5900276	61	7801147	19
3154059	49	5900279	61	7801148	27
3281092	63	5900289	61	7801150	27
3502078	43	5900290	61	7801151	27
4241148	29	5900293	61	7801152	27
4242145	23	5900295	61	7801153	25
4244009	51	5900307	61	7801154	19
4245082	3	5900310	61	7801155	27
4245085	3	5900313	61	7801159	29
4274000	53	6231034	49	7801162	49
4301285	5	6231037	57	7801163	49
4302134	29	6231087	33	7801165	29, 49
4304076	51	6231242	19	7801166	29
4304092	53	6232031	3, 23	7801168	19
4304236	53	6232036	23	7801169	29
4311068	31	6237049	57	7801170	29
4312217	43	6332009	25	7801174	29
4314014	27	6732034	7, 25	7801175	29
4314055	53	6739021	63, 64	7801181	29
4321042	49	7211229	59	7801182	49

Refreshment Center Parts Manual

Part Number Index

Part Number	Page	Part Number	Page	Part Number	Page
7802001	3	7804010	51, 53	9900118	63
7802010	9	7804011	51	9900121	3
7802011	5	7804013	27	9900141	15
7802017	5	7805001	59	9900160	3
7802018	9	7805007	57, 59	9900170	3
7802019	7	7805008	59	9900184	11, 13
7802024	9, 11, 13	7805009	57	9900218	31
7802030	9	7807000	43	9900437	11, 13
7802031	5	7807001	43	9983778	19
7802032	11, 13	7807002	43	9984629	63
7802033	11, 13	7807003	47	9987852	29
7802034	17	7807005	43	9989046	63
7802035	9	7807011	47	9989100	63
7802036	9, 11, 13	7807015	47	9989594	59
7802043	17	7807016	47	9989639	63
7802049	5	7809001	63	9989674	63
7802050	5	7809003	64	9989750	63, 64
7802051	7	7809005	7, 25, 64	9989755	59
7802062	23	7809007	45	9989821	37, 41, 43, 45
7802067	55	7809011	63	9989886	19
7802068	5	7809020	63	9989887	19
7802072	5	7809021	64	9995002	3
7802073	11	7809022	64	9995400	3
7802077	9	7809023	64		
7802078	9	8905011	3		
7804000	51	9900030	35, 39, 43	B	
7804001	51	9900081	11, 53, 63		
7804006	51, 53	9900098	33		
7804008	51	9900106	57		
				W	
				B4800001X	64
				WD780005	64

Part Number Index

Refreshment Center Parts Manual

<u>Part Number</u>	<u>Page</u>	<u>Part Number</u>	<u>Page</u>	<u>Part Number</u>	<u>Page</u>
--------------------	-------------	--------------------	-------------	--------------------	-------------

Terms and Conditions of Sale

LIMITED WARRANTY: Subject to the limitation specified herein, all parts included on original equipment manufactured by CRANE MERCHANDISING SYSTEMS and sold to purchaser are warranted for two (2) years from the date of shipment of the equipment in question. This warranty applies only to the original purchaser of the Merchandiser and is null and void if the Merchandiser is sold during the period of warranty.

Defective parts will be repaired or replaced free of charge when the defective part is returned, with transportation charges prepaid by purchaser, to a destination designated by CRANE MERCHANDISING SYSTEMS.

This warranty does not include any cost of service rendered or repairs made by customer or its agents on Merchandiser, or parts, unless authorization to incur such expense has been given in writing by CRANE MERCHANDISING SYSTEMS prior to incurring such expense. This warranty covers labor and service charges performed by CRANE MERCHANDISING SYSTEMS service technicians for the first 90 days of ownership from date of shipment.

This warranty does not apply to A) electrical components, wiring, or circuits or mechanical parts or assemblies damaged as a result of operating the Merchandiser at other than the design voltage and frequency specified on the Electrical Rating Tag, or B) in event of vandalism, fire or negligence, or C) incandescent lamps, neon lamps, fluorescent lamps, ballasts, starters or other expendable items, or D) when seal is broken on electronic boards, or E) when other manufactured components are installed in CRANE MERCHANDISING SYSTEMS Merchandisers.

Replacement parts sold by CRANE MERCHANDISING SYSTEMS as After Market shall be covered for three months from the date shown on the parts invoice. Purchaser must obtain prior RETURN AUTHORIZATION for return of all parts, following guidelines given by CRANE MERCHANDISING SYSTEMS. New, unused parts purchased as After Market can be returned within 30 days from date of parts invoice, with prior authorization from CRANE MERCHANDISING SYSTEMS.

THIS WARRANTY IS IN LIEU OF ALL OTHER WARRANTIES EXPRESS OR IMPLIED, INCLUDING WITHOUT LIMITATION, WARRANTIES OF MERCHANTABILITY OF FITNESS FOR A PARTICULAR PURPOSE. CRANE MERCHANDISING SYSTEMS SHALL NOT BE RESPONSIBLE FOR CONSEQUENTIAL OR PUNITIVE DAMAGES. CRANE MERCHANDISING SYSTEMS neither assumes nor authorizes any person to assume for it any obligation or liability in connection with the sale of said equipment or any part thereof.

