

PUBLICATIONS ARCHIVE

Can and Cold Food Module Setup and Operator's Guide

PUBLICATIONS ARCHIVE

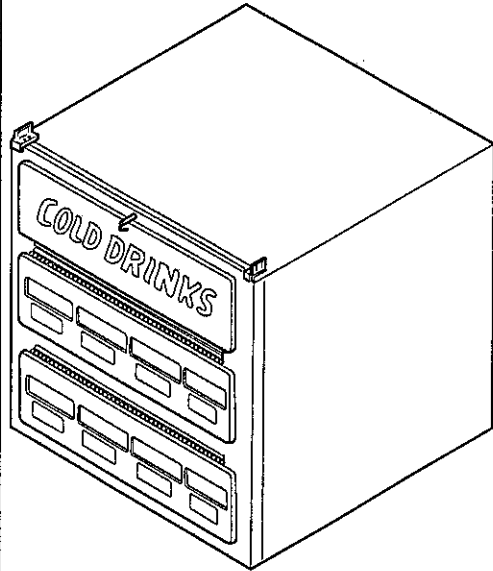
12955 Enterprise Way
Bridgeton, MO 63044-1200
(314) 298-3510

What is this booklet for?

Since your merchandiser came equipped with a can or food module, the **Main Setup Guide** has instructed you to get this booklet to continue your setup. Follow the steps for setting up your can or food module, then return to the spot in the Main Setup Guide that sent you here. Afterward, you can return to this book for the day-to-day operating and maintenance information to keep your can or food module working its best.

DON'T THROW THIS BOOKLET AWAY !! It's a valuable reference for your daily maintenance. Put it back in the plastic bag and store it inside the cabinet. That way, it is readily available at a future time.

Table of Contents



CAN MODULE

If you have a can module, follow the setup instructions starting on page 2.

Cold Can Unit

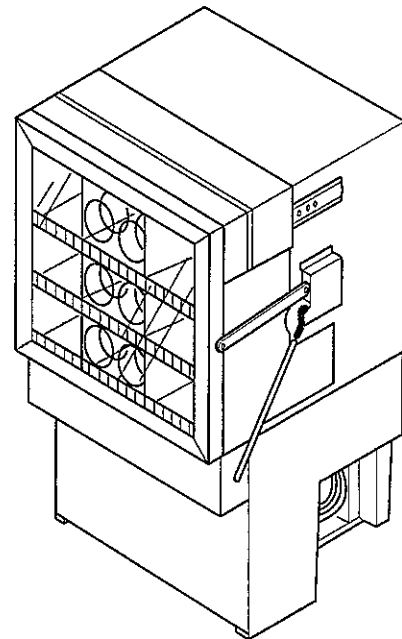
1. Install Price Labels for Cold Can Selections 2
2. Adjust the Price Rolls for Cold Can Selections 3
3. Install Product ID Labels for Cold Can Selections 3
4. Install Selection ID Labels 4
5. Load the Cold Can Module 5
6. Removing the Can Compartment Door Assembly 6

FOOD MODULE

If you have a food module, follow the setup instructions starting on page 7.

Food Module

1. Install Price Labels for Food Module Selections 7
2. Install Selection ID Labels for Food Module Items 8
3. Adjust the Price Labels for Food Module Selections 8
4. Load the Refrigerated Food Module 9

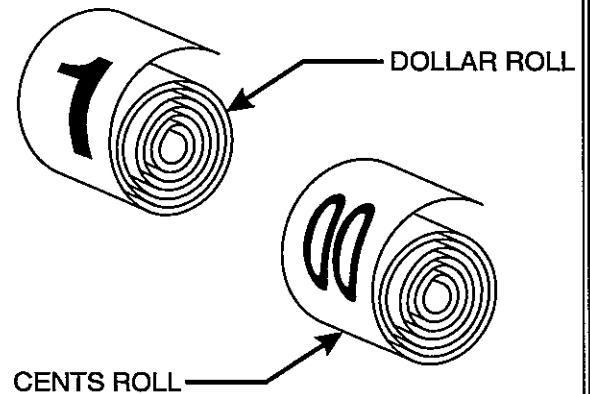


Can and Cold Food Module Setup and Operator's Guide

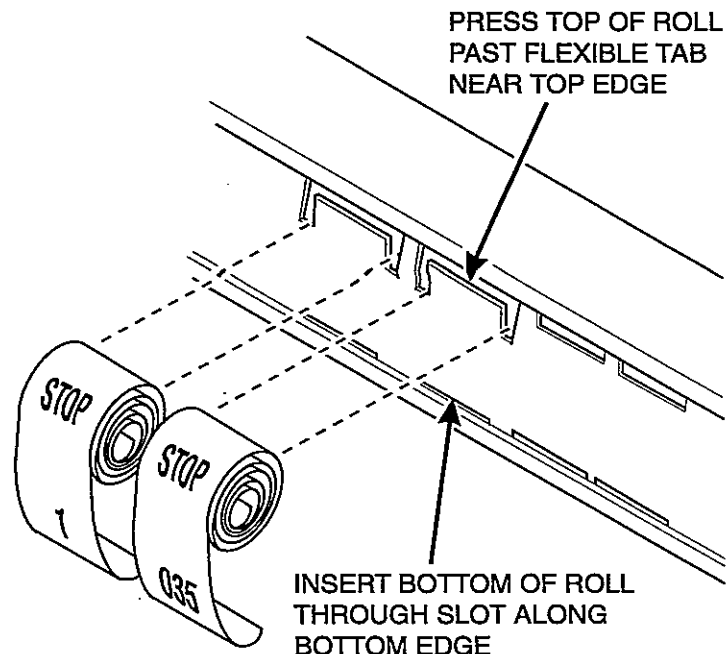
Models 159, 160, 467, 468, 490, 493

1. Install Price Labels for Cold Can Selections

- Price rolls are printed on coiled-up strips as shown in this example. (The dollar and cents rolls are factory installed.) If you use another type of currency, you will find the appropriate price rolls in the plastic bag that contained this manual.
- There are two types of price rolls installed:
 - Dollar roll - 1 to 12, increments of 1
 - Cents roll - 00 to 95, increments of 05
- Remove the price rolls as required, and install the appropriate one(s) for your currency.



- There are three pairs of slots in the front of the can unit for each position. Install per this example:
 1. Insert the dollar roll in the left-most pair of slots as shown if the price is \$1.00 or more.
 2. Insert the cents roll in the center pair of slots as shown.
 3. The low-number end of the roll goes in the top slot and the high-number end of the roll goes in the bottom slot.



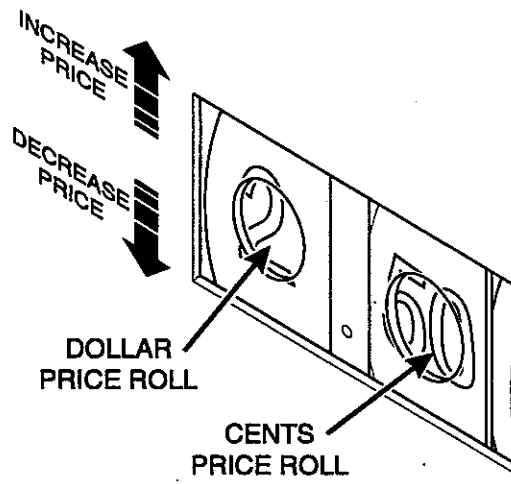
Can and Cold Food Module Setup and Operator's Guide Models 159, 160, 467, 468, 490, 493

2. Adjust the Price Rolls for Cold Can Selections

- There are two price label rolls for each selection.
 - The roll on the left is for dollars, and it goes from \$0 to \$12.
 - The roll on the right is for cents, and it goes from .00 to .95 in steps of .05.
1. Scroll downward to decrease the price.
 2. Scroll upward to increase the price.

NOTE

The rolls are easier to scroll if you use the eraser end of a pencil.



3. Install Product ID Labels for Cold Can Selections

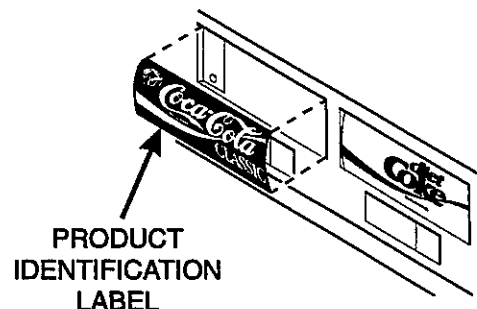
Product ID labels (flavor strips) are in the plastic bag that contained this book. They are held in place above the price labels for each selection. To install a new ID label, proceed as follows:

1. Flex the label as shown and place it into position.
2. Release the label, and allow the label frame to hold it in place.
3. Pop the label out of place with a pencil or your fingernail.

If you need a specific product ID label that was not included in the plastic bag containing this manual, contact:

SCREEN ART
1801 Mid Park Drive
Knoxville, TN 37921
Phone: 1-800-251-9031
In Tennessee: 1-800-332-9924

Refer to style SA13 (1.75 x 4.62)



Can and Cold Food Module Setup and Operator's Guide

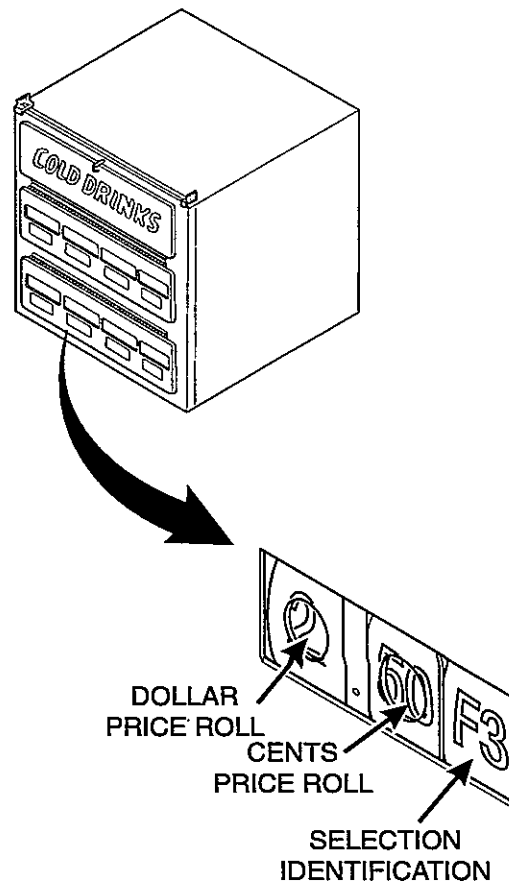
Models 159, 160, 467, 468, 490, 493

4. Install Selection ID Labels

Selection ID numbers are printed on clear plastic sheets. You will find these in the plastic bag that contained this manual. You will need to separate them along the scored lines between the selections. **BE CAREFUL** when doing this, because it is easy to split the labels. Use the "E" and "F" selections for the can module.

INSTALLING SELECTION ID NUMBERS:

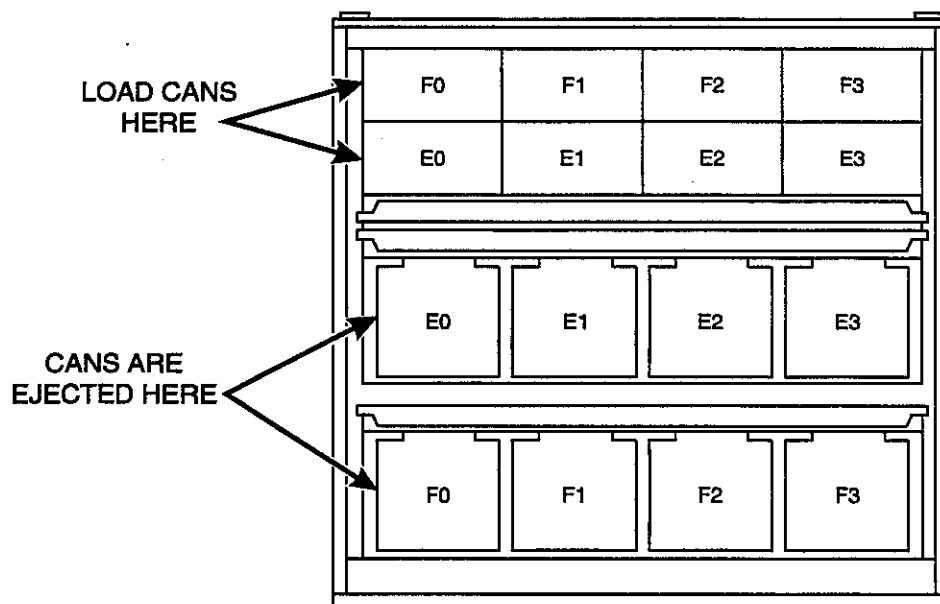
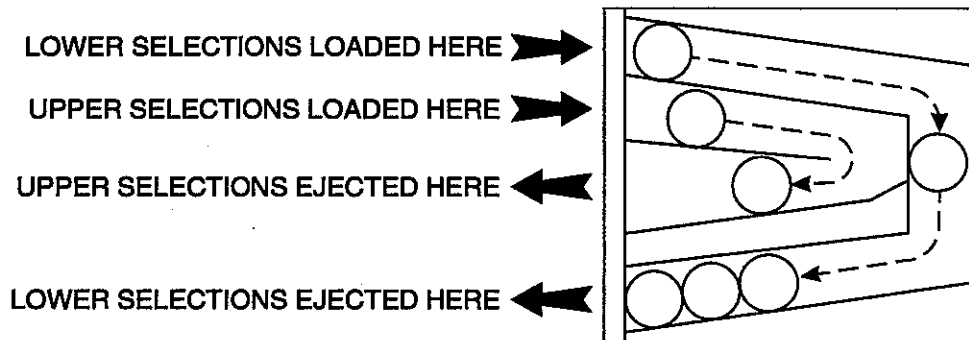
1. Make sure the price rolls have been installed.
2. Press together the two long edges of the selection ID label.
3. Snap the selection ID label into position on the front of the tray as shown. See the bottom figure on the next page for the position of each of the selections.



Can and Cold Food Module Setup and Operator's Guide
Models 159, 160, 467, 468, 490, 493

5. Load the Cold Can Module

1. Lower the loading door into the loading position.
2. Load each of the selections as shown.
3. After all selections are loaded, raise the door.



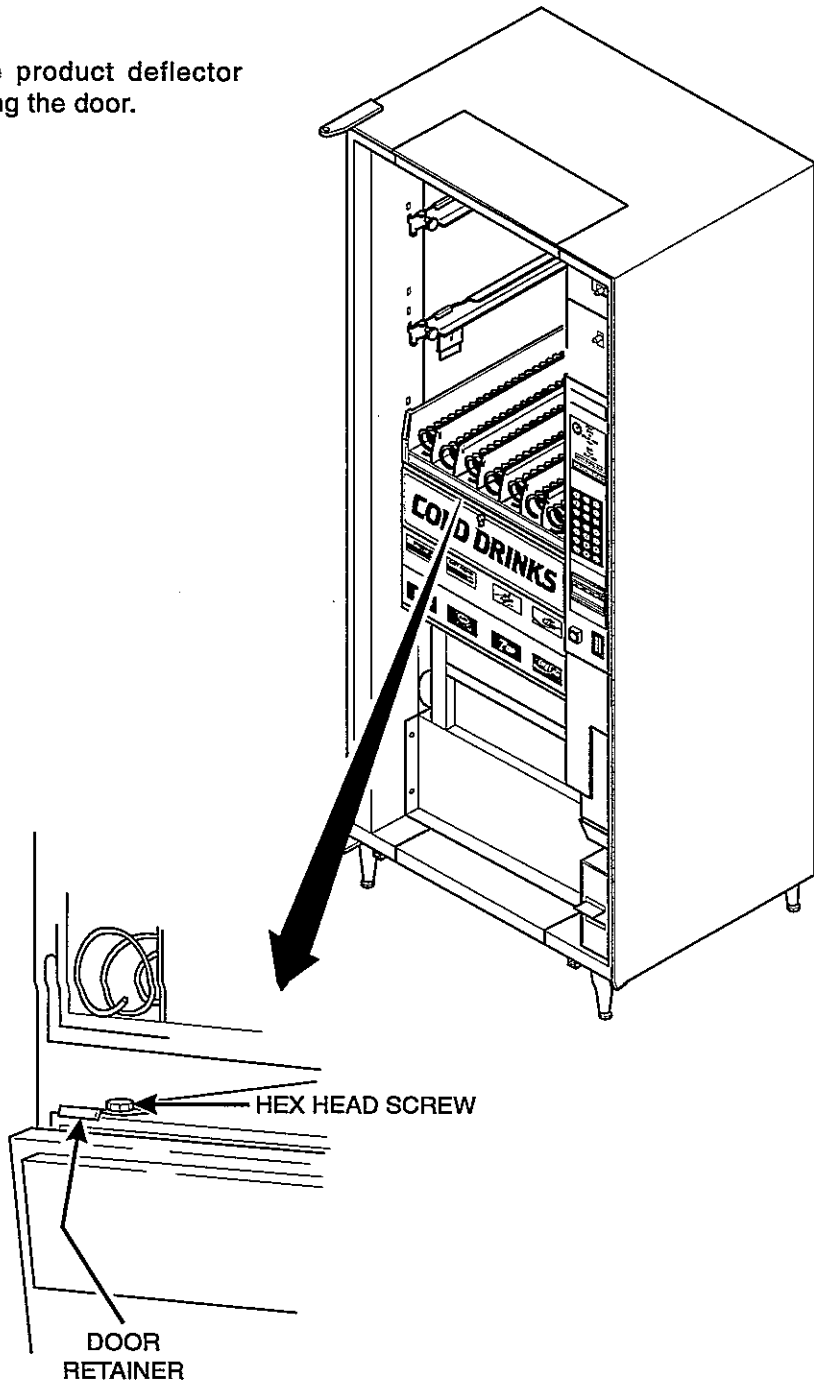
Can and Cold Food Module Setup and Operator's Guide
Models 159, 160, 467, 468, 490, 493

6. Removing the Can Compartment Door Assembly

1. Remove the bottom tray. See **REMOVING A TRAY** in the *Main Setup Guide*.
2. Loosen the screws securing the door retainers to the can compartment, and the angle bracket to the sides of the cabinet.
3. Push up on the retainers and tilt the door forward and down.
4. Lift the door clear of the retaining channel.
5. Replace the door in the opposite order of removal.

NOTE

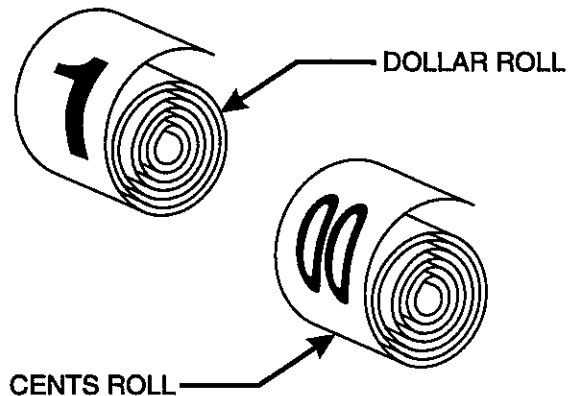
You may push the product deflector aside while removing the door.



Food Module Set-Up

1. Install Price Labels for Food Module Selections

- Price rolls are printed on coiled-up strips as shown in this example. (The dollar and cents rolls are factory installed.) If you use another type of currency, you will find the appropriate price rolls in the plastic bag that contained this manual.



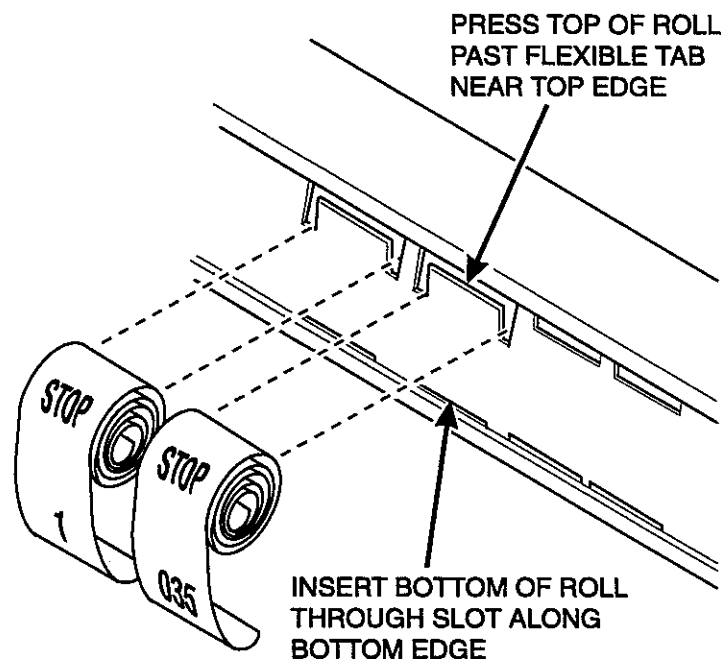
- There are two types of price rolls installed:

Dollar roll - 1 to 12, increments of 1
Cents roll - 00 to 95, increments of 05

- Remove the price rolls as required, and install the appropriate one(s) for your currency.

- There are three pairs of slots in the front of the can unit for each position. Install per this example:

1. Insert the dollar roll in the left-most pair of slots as shown if the price is \$1.00 or more.
2. Insert the cents roll in the center pair of slots as shown.
3. The low-number end of the roll goes in the top slot and the high-number end of the roll goes in the bottom slot.

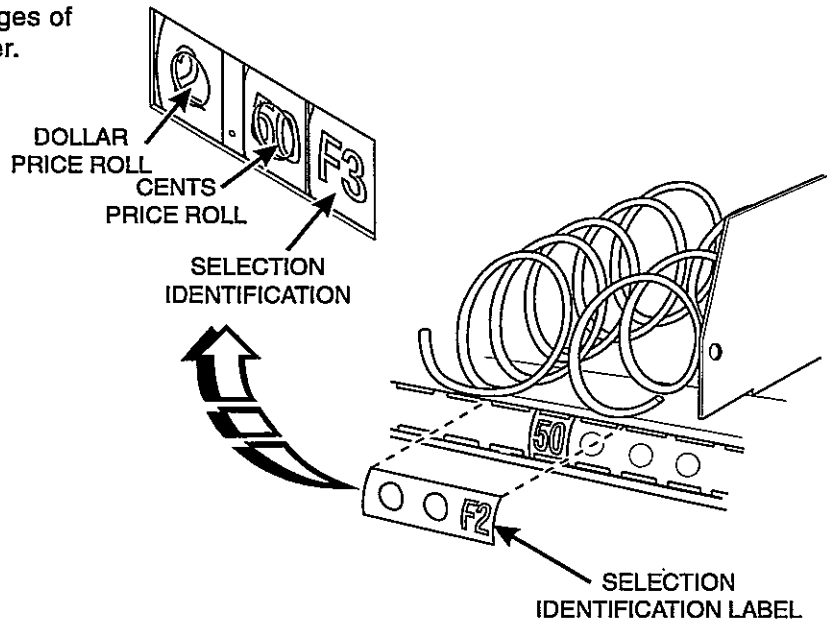


Can and Cold Food Module Setup and Operator's Guide Models 159, 160, 467, 468, 490, 493

2. Install Selection ID Labels for Food Module Items

Selection ID numbers are printed on clear plastic labels. You will find these in the plastic bag that contained this manual. Use the "D", "E", and "F" selection labels for the food module.

1. Press the top and bottom edges of the selection ID label together.
2. Snap the label into position on the front of the tray as shown. The selection positions are shown in the figure on the next page.



3. Adjust the Price Labels for Food Module Selections

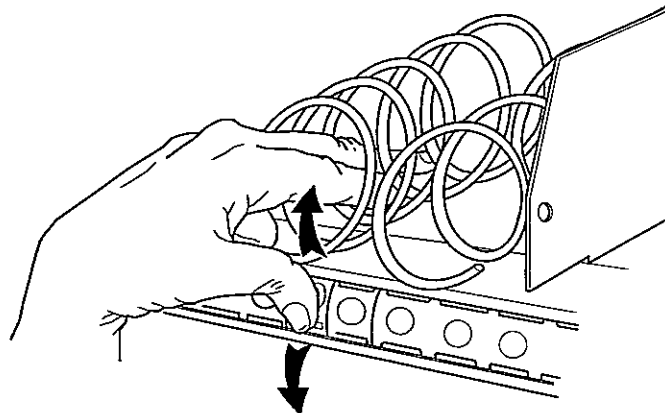
You can set selection prices within the following range:

Minimum price	\$.00
Maximum price	\$12.95
Increment	\$.05

1. Using your thumb or the eraser end of a pencil, scroll downward to decrease the price.
2. Using your thumb or the eraser end of a pencil, scroll upward to increase the price.

NOTE

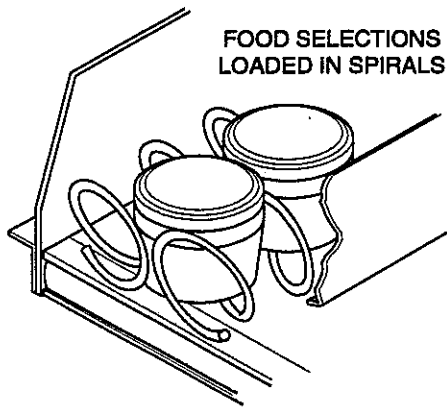
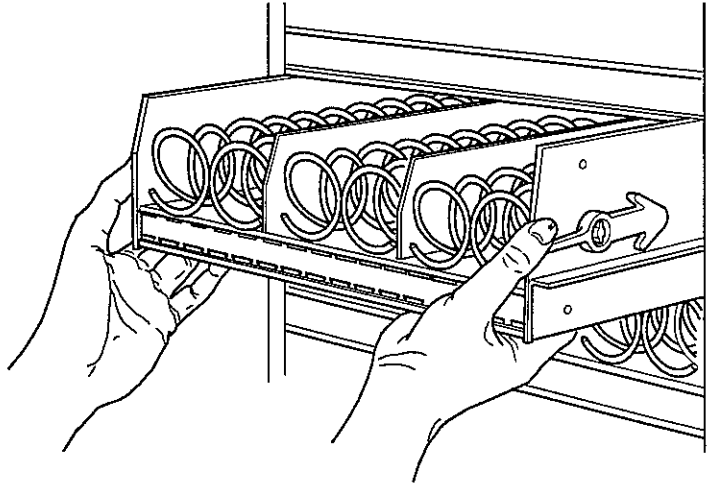
You will see the word **STOP** near either end of the roll.



Can and Cold Food Module Setup and Operator's Guide
Models 159, 160, 467, 468, 490, 493

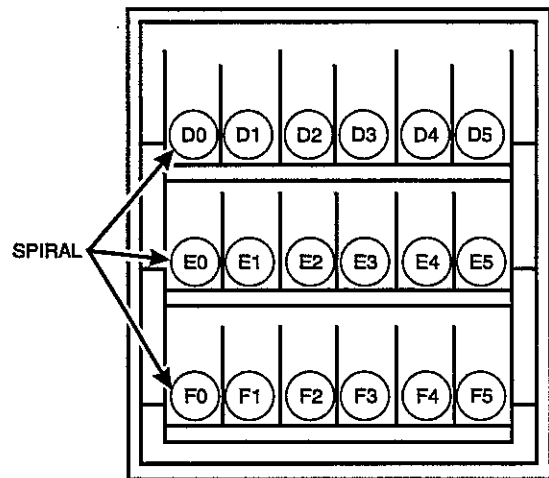
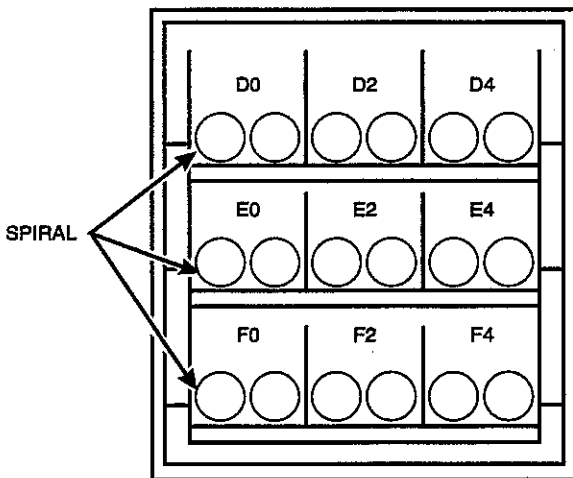
4. Load the Refrigerated Food Module

1. Lift the loading door latch and open the loading door.
2. Place both hands on the food module tray as shown.
3. Lightly push back on the tray with your palms. This will release the tray latches on the sides of the tray.
4. Push down on the tray latches with your thumbs.
5. Pull the tray forward until it stops.
6. Load each of the spiral selections as shown.
7. See below for spiral assignments.
8. After all selections are loaded, push the tray in until it latches. Close and latch the door.



WHICH LABEL GOES WITH WHICH SELECTION?

SPIRAL ASSIGNMENTS



Can and Cold Food Module Setup and Operator's Guide

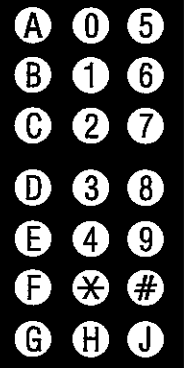
Models 159, 160, 467, 468, 490, 493

5. Vend Wide Products

Your cold food module can vend wide products by electronically coupling two spirals together. This allows two spiral motors to run at the same time.

NOTE

The left spiral of the pair you couple together **MUST** have an even number (0, 2, 4, etc.).



1. Pull out the tray and remove the divider between the two spirals you want to couple together.
2. Load the wide products.
3. Push in the tray in until it latches. Close and latch the door.
4. Electronically couple the spiral motors:
 - a. Pull out the door switch button to the ON position.
 - b. Press (#) until the display shows *SETUP*.
 - c. Press (X) until the display shows *CPLMTRS*.
 - d. Press (H). The display shows *D.D.D.D.D.D.D.D.*. This display shows that none of the spirals on the D tray are coupled.
 - e. To couple two spirals, press the **EVEN** number of the two spirals you want to couple. For example, to couple spirals 0 and 1, press 0 on the control panel. The display shows *+D.D.D.D.D.D.D.*. Note that the "D" on the left has been replaced by a "+". This means that the # 0 spiral is coupled to the # 1 spiral on its right.
 - f. Repeat the above step for any other two spirals you want to couple. To couple spirals on another tray, press (X) until the tray selection letters you want to couple are displayed.

SPECIAL DISPLAY CHARACTERS

Under certain circumstances, the letters in the display will be replaced by these special characters:

- | | | |
|--------------------------|---|---|
| ? | = | Motor is not present, but is coupled to adjacent motor. |
| (blank) | = | Motor is not present, nor is it coupled. |
| (leading apostrophe) | = | Motor is jammed or a tray connection error exists. |
| (trailing decimal point) | = | Motor is home. |

NOW WHAT?

There are still some things you need to do to complete setting up your merchandiser. Return to the same location in the **Main Setup Guide** that sent you to this booklet.