

CRANE MERCHANDISING SYSTEMS

Merchant Combo

Parts Manual Models 448, 449, 948, & 949



MONETARY DOOR ASSEMBLY 3

DELIVERY BIN ASSEMBLY 5

COIN RETURN ASSEMBLY 7

STANDARD LOCK ASSEMBLY 8

LED LIGHT ASSEMBLY 9

CABINET ASSEMBLY 10

MONETARY BARRIER ASSEMBLY 13

MAIN CONTROLLER, CHASIS AND HARNESSING 15

MOTOR CONTROLLER AND HARNESSING 17

REFRIGERATION UNIT 120V 19

REFRIGERATION UNIT ASSEMBLY 230V 21

REFRIGERATION UNIT ACCESSORIES 23

POWER PANEL ASSEMBLY DOMESTIC 120V 25

POWER PANEL ASSEMBLY -230V 27

SNACK AND CANDY TRAY ASSEMBLY 29

SPIRAL OPTIONS 28" DEEP MACHINE 31

BOTTLE TRAY ASSEMBLY 32

WIRE HARNESSING 34

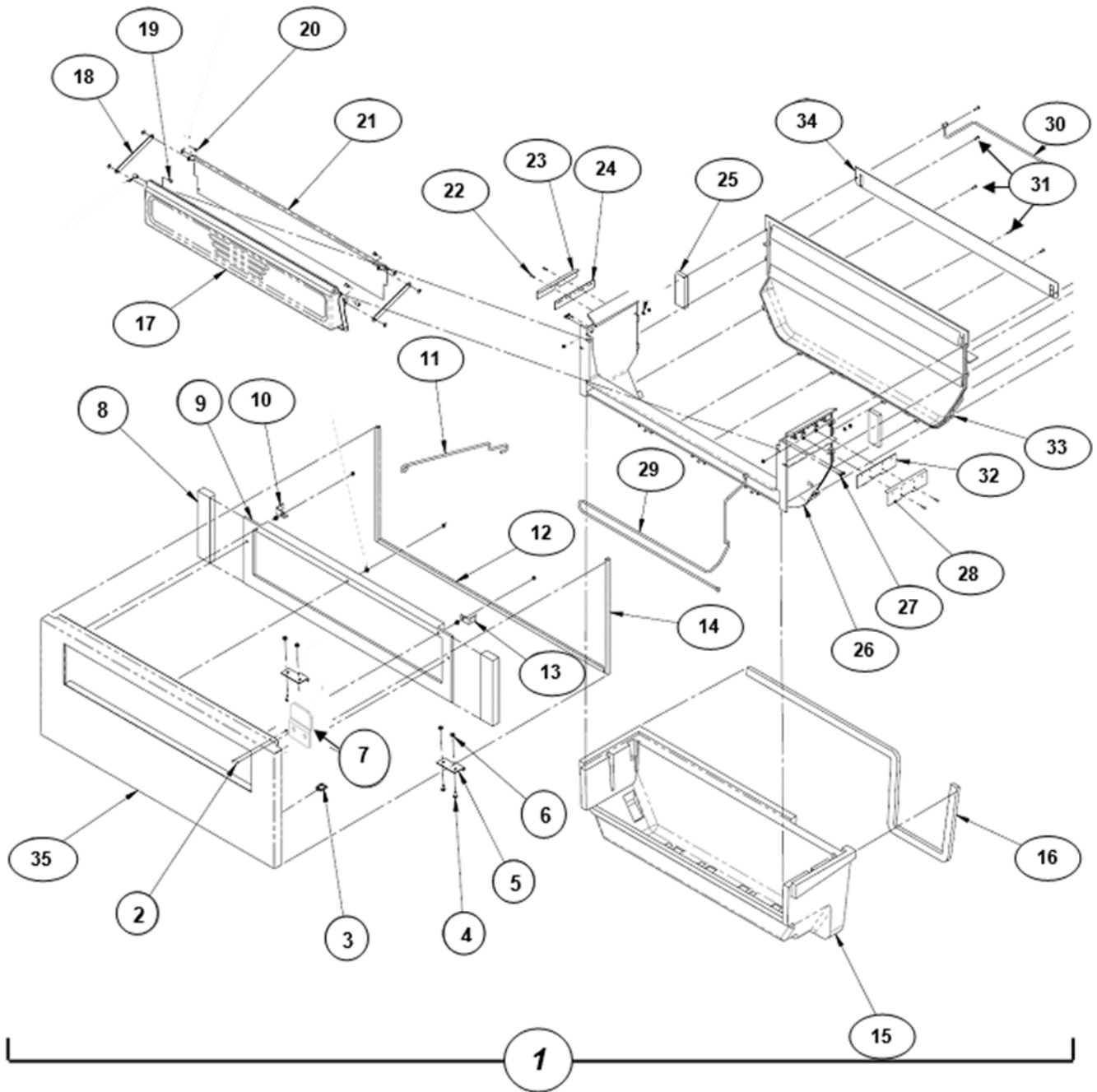
BAG ASSEMBLY COMPONENTS 35

DUAL ZONE BARRIER KIT 35

CRANE MERCHANDISING SYSTEMS

ITEM	PART NUMBER	DESCRIPTION	QTY
1	N/A	MONETARY ASSY-MERCH CMB (No longer available)	1
2	103178	COIN CHUTE ASSEMBLY	1
3	104122	FERRULE	2
4	100153	NUT #8-32 KEPS ZINC PLATE	10
5	106019	COIN BLOCK-50 CENTS	1
6	106144	CLADDING-LOWER-PLATINUM	1
7	106143	CLADDING-MIDDLE-PLATINUM	1
8	106142	CLADDING-UPPER-PLATINUM	1
9	106141	COIN RETURN BEZEL-PLATINUM	1
10	113018	COIN RTRN CHUTE ASSY-PLATINUM	1
11	112092	COIN RETURN DOOR-PLATINUM	1
12	113212	PROCESS STEP 3 ASSEMBLY	1
13	106139	PAYMENT SYSTEM BEZEL-PLATINUM	1
14	106140	KEYPAD BEZEL-PLATINUM	1
15	113211	PROCESS STEP 1 ASSEMBLY	1
16	106128	KEYPAD ASSEMBLY	1
17	103263	LENS-POP DISPLAY	1
18	112171	LENS-OPTREX, TEMPERED GLASS	1
19	103267	ASSY DISP.OPX&INTRFC,MRCHN	1
20	103768	SCREW-#6-19 X .38 PHIL.PHS	60
21	108986	BRACKET-POP DISPLAY	1
22	112143	BADGE-CRANE N.V.	
23	106135	COVER-KEYPAD	1
24	106132	BAFFLE-COIN RETURN	1
25	106133	COVER-OPTREX	1
26	106314	SCREW-#8 32 X 1/4 PHS-T/F	2
27	103126	SCREW-#8-32X.31 HEX HD.TF-	4
28	106137	BRKT-SWITCH ACTIVATION	1
29	110529	BRKT-MON. GUSSET-LOWER	1
30	106146	ANGLE-VANDAL EXT ALUM 3/4 SEC	1
31	N/A	BRKT-MON. GUSSET-UPPER	1
32	109779	8-32X1/2 PH FT HD T23 ZN &	3
33	103767	GASKET-.19X.38	49 inches
34	112185	WELD ASSY-MONT PANEL FRONT	1
35	N/A	BRKT-SLIDE	2
36	108968	BRKT, LOCK BAR RETAINING	1
37	105955	BRACKET-COIN CHUTE	1
38	105963	SCREW-#6-19 X.50 PLASTITE PHS	1
39	103199	INSERT-INSTR.UP.SUREVEND	1
40	111203	PLATE-BACKING-INSERT	1
41	103266	POP INSERT-CHIP GUY	1
NS	103123	SWITCH (Not Shown)	1
NS	104679	ASSY,BRACKET CARDREADER (Not Shown)	1

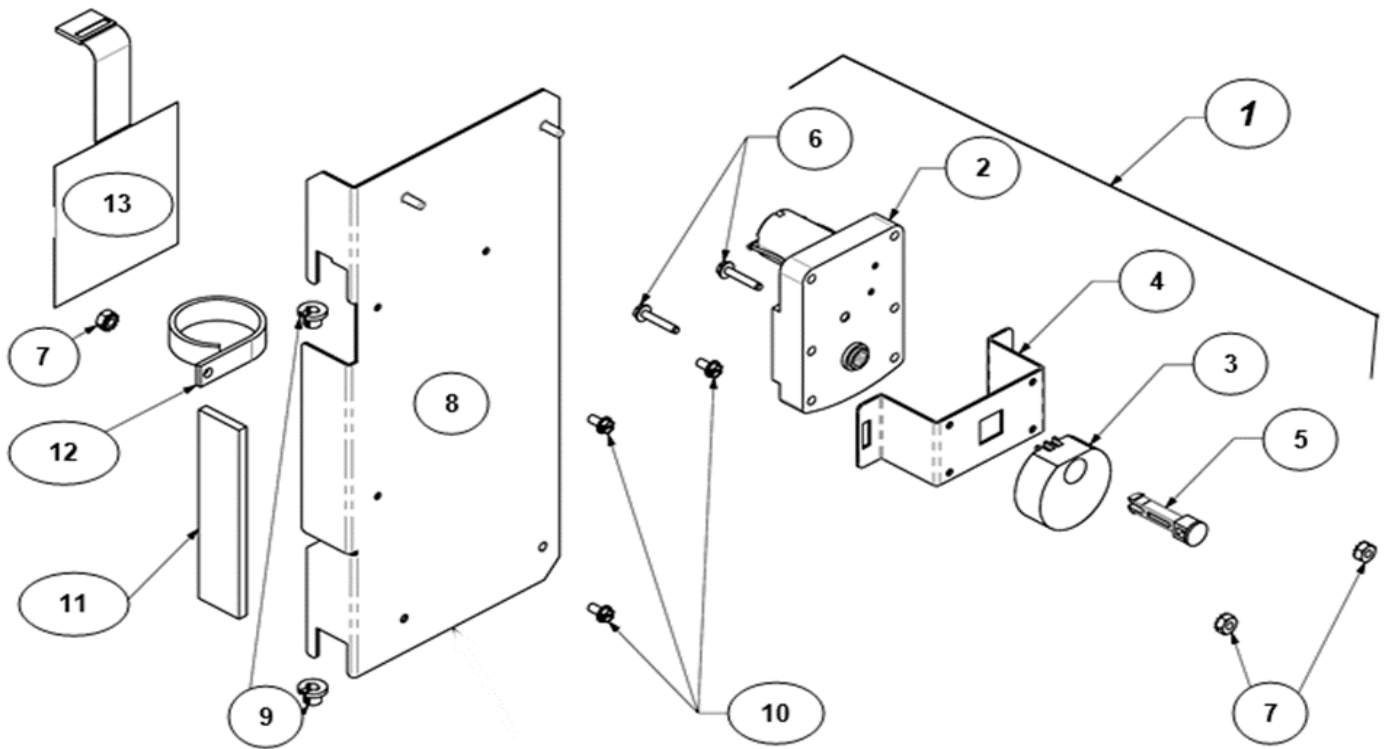
DELIVERY BIN ASSEMBLY



CRANE MERCHANDISING SYSTEMS

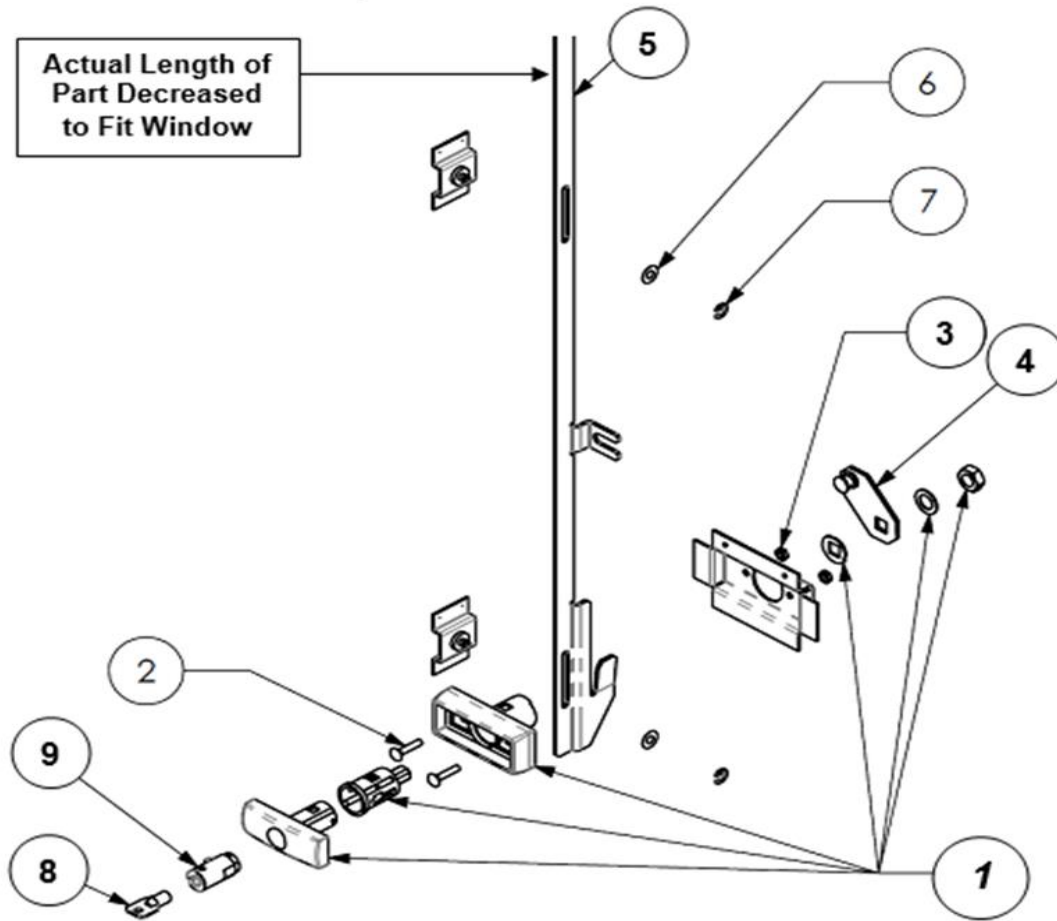
ITEM	PART NUMBER		DESCRIPTION	QTY
	448, 948 (4W)	449, 949 (6W)		
1	102823	112865	DEL BIN ASSY, COM, SER	1
2	109146	SAME	SCRW,R,6-32x3/8"PHIL FTHD	2
3	109475	SAME	WIRE SADDLE-LOCKING TOP-LA	1
4	104123	SAME	CARRIAGE BOLT SHORT SQ NEC	4
5	104233	SAME	HINGE-DEL. DOOR-FEMALE	2
6	109462	SAME	1/4-20 KEPS NUT ZN	4
7	108137	SAME	STRIKE, DELIVERY BIN LATCH	1
8	104190	SAME	BLOCK, FRONT INSULATION	2
9	104192	104191	PANEL,FRONT INSULATION	1
10	108027	SAME	BRACKET, BIN, FRONT, LH	1
11	104254	SAME	ROD, STOP,DELIVERY BIN	1
12	110693	110692	GASKET-D-DEL. BIN BOTTOM	1
13	108026	SAME	BRACKET, BIN, FRONT, RH	1
14	110698	SAME	GASKET-D-DEL. BIN SIDE	2
15	104193	104194	INSUL, DELIVERY BIN	1
16	110698	110698	GASKET - DEL BIN INSU	1
17	103233	111729	DOOR ASSY, PLATINUM	1
18	103252	SAME	LINKAGE-VEND DOOR	2
19	103254	SAME	PIN-PIVOT-LONG	2
20	103253	SAME	PIN-PIVOT-SHORT	2
21	103232	106121	W/ASSY-REAR-VEND FLAP	1
22	105963	SAME	SCREW-#6-19 X.50 PLASTITE	4
23	103255	SAME	COVER-EMITTER-SUREVEND	1
24	104295	SAME	PCB ASSY SUREVEND EMITTER	1
25	104385	SAME	SEAL, DELIVERY BIN	2
26	103234	103259	FRONT-DELIVERY BIN	1
27	100246	SAME	SCREW-#8-32X.50 HX.HD.-T/F	6
28	103256	SAME	COVER-RECEIVER-SUREVEND	1
29	106160	SAME	HRN DRVR BRD SUREVEND	1
30	104292	SAME	HARNES-SV DET. TO EMITTER	1
31	100243	SAME	SCREW-#8-10 x.5 T/F-PHS	8
32	104356	SAME	PCB ASSY SUREVEND DETECTOR	1
33	103231	103250	BACK-DELIVERY BIN	1
34	-----	111296	STIFFENER-DELIVERY BIN	1
35	108126	111729	DOOR ASSY, PLATINUM	1
	106253	SAME	WIRE TIE #PLT2S-M (Not Shown)	2
	100072	100072	CLIP,R, PANDUIT CORD (Not Shown)	2
	104180	SAME	SHIELD, INSUL., SIDE, RIGHT (Not Shown)	1
	104181	SAME	SHIELD, INSUL., SIDE, LEFT (Not Shown)	1

COIN RETURN ASSEMBLY



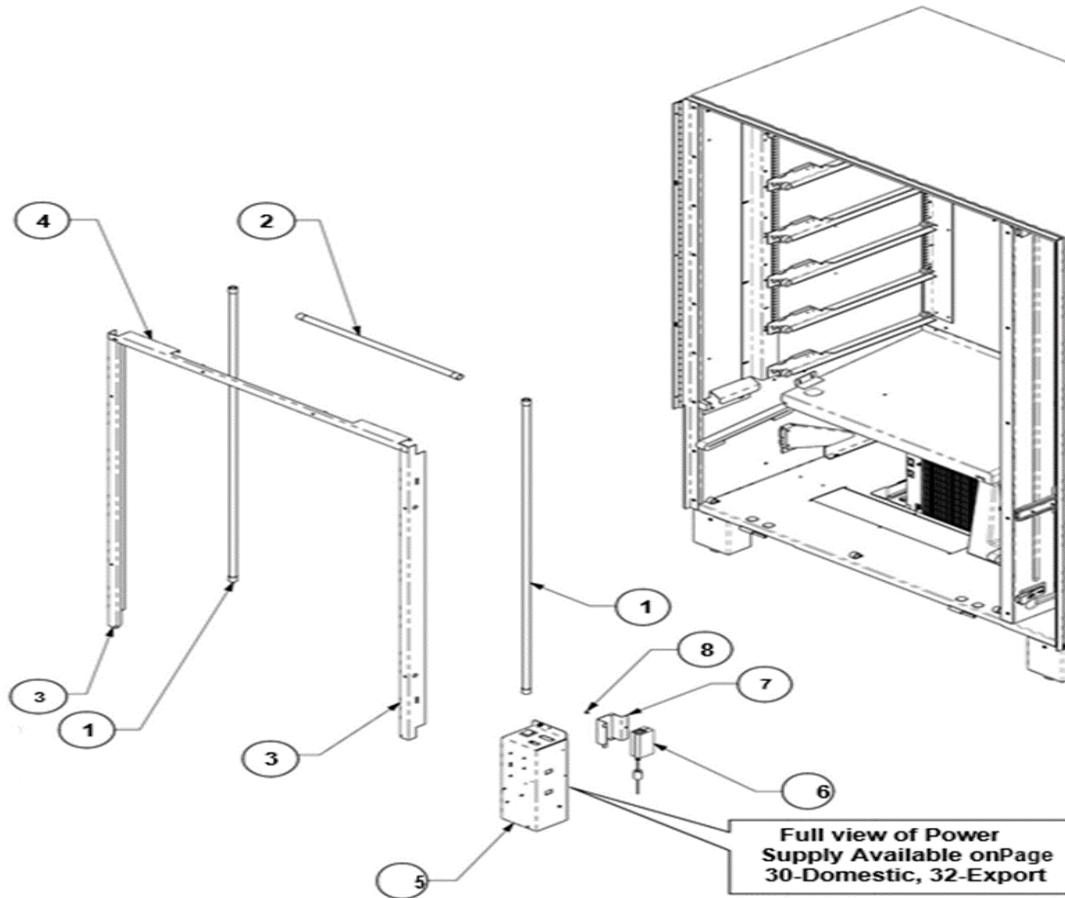
ITEM	PART NUMBER	DESCRIPTION	QTY
	4W & 6W		
1	Not sold separate	ASSY-ELEC COINMECH RET <i>(Includes Items 2-6)</i>	1
2	101067	MOTOR & PC BOARD ASSEMBLY	1
3	101701	CAM-COIN RETURN	1
4	106131	BRKT-COIN RET MOTOR	1
5	100100	COUPLING-MOTOR	1
6	100239	SCREW-#8-32 X .81 HEX HD.-	2
7	100153	NUT #8-32 KEPS ZINC PLATE	3
8	111824	ASSY-COIN MECH MOUNT	1
----	100424	STUD SELF CLINCHNG <i>(on the coin mech mount)</i>	3
9	103264	STABILIZER-COIN MECH	2
10	100242	SCREW-#8-32X.31 HEX W/HD.-TF	3
11	106262	MAGNET-RETAINR-COIN CHANGER KB	1
12	106285	CLIP-HARNESS-1.50	1
13	107125	SERVICE KEYPAD ASSEMBLY	1
	104036	MEMBRANE SWITCH ASSY-PROGRAM	1

STANDARD LOCK ASSEMBLY



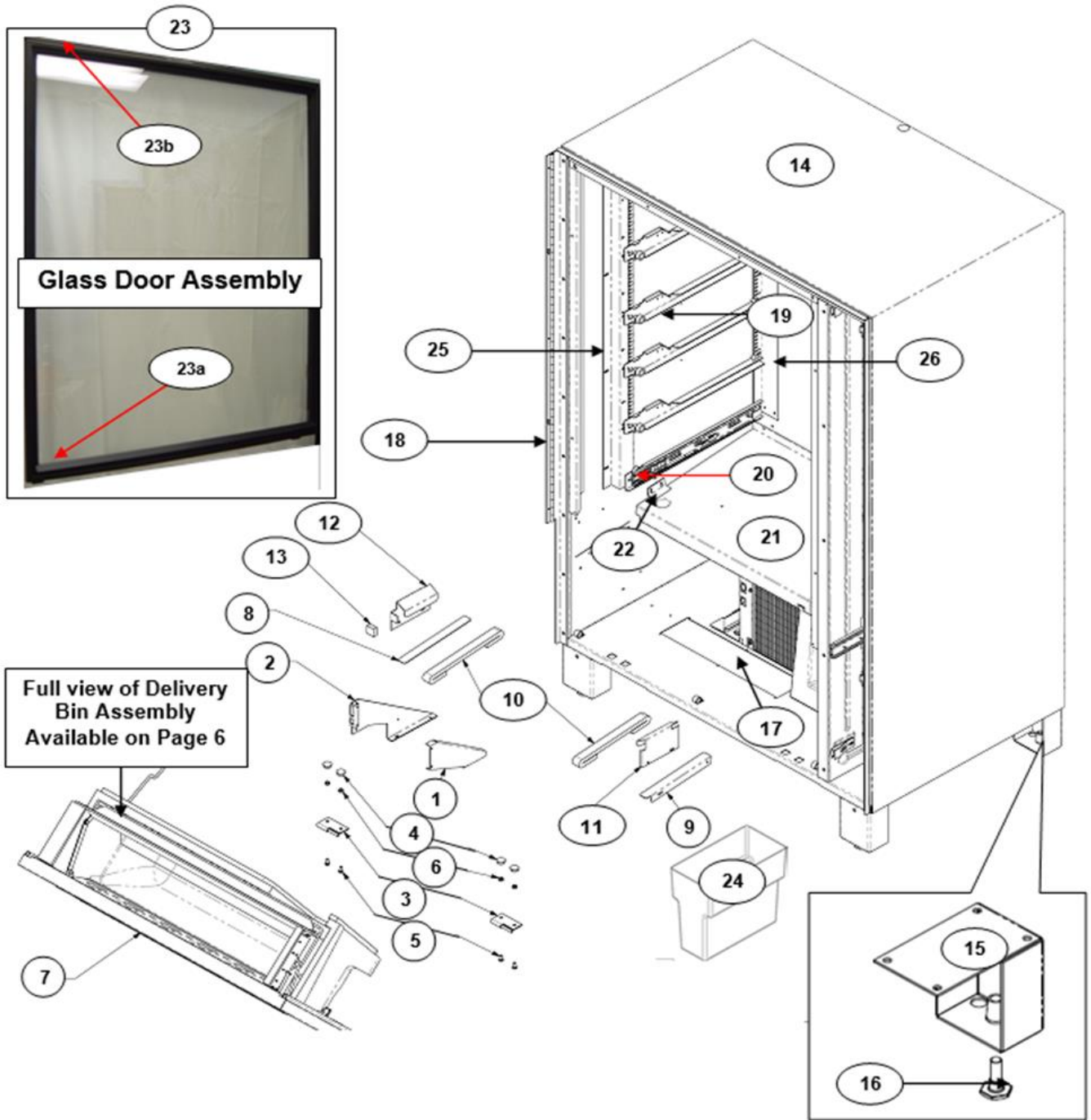
ITEM	PART NUMBER	DESCRIPTION	QTY
	4W & 6W		
1	103265	LOCK ASSY-"T"-DULL CHROME	1
2	103539	CARRIAGE BOLT-#10-24-ROLLER	2
3	107749	NUT-#10-24 SELF-LOCKING	2
4	106138	ASSY-LOCK ACTUATOR	1
5	110431	BAR, SECURITY LOCK	1
6		WASHER, .281IDX.625ODX.008TH	4
7	108233	RETAINING RING REINF E TYP.250	4
8	102477	KEY-400	1
9	102644	LOCK CYLINDER ASSY-KEY 400	1

LED LIGHT ASSEMBLY



ITEM	PART NUMBER		DESCRIPTION	QTY
	4W	6W		
1	104349	104349	ASSY-48 LED-1200MM	2
2	102445	102445	ASSY-24 LED-500MM	2
3	111549	111549	ASSY-LED REFLECTOR	2
4	110396	109048	BRACKET, LED HARNESS	1
5	112877	112877	ASM, PWR BOX MERCH CMB	1
6	106100	106100	SMPS-LINE TO 24VDC-NO CORD	1
7	105688	105688	MTG BRKT, 24V POWER SUPPLY	1
8	100318	100318	SCRW,R,8-32x¼ PHL PAN SWGF B	1

CABINET ASSEMBLY



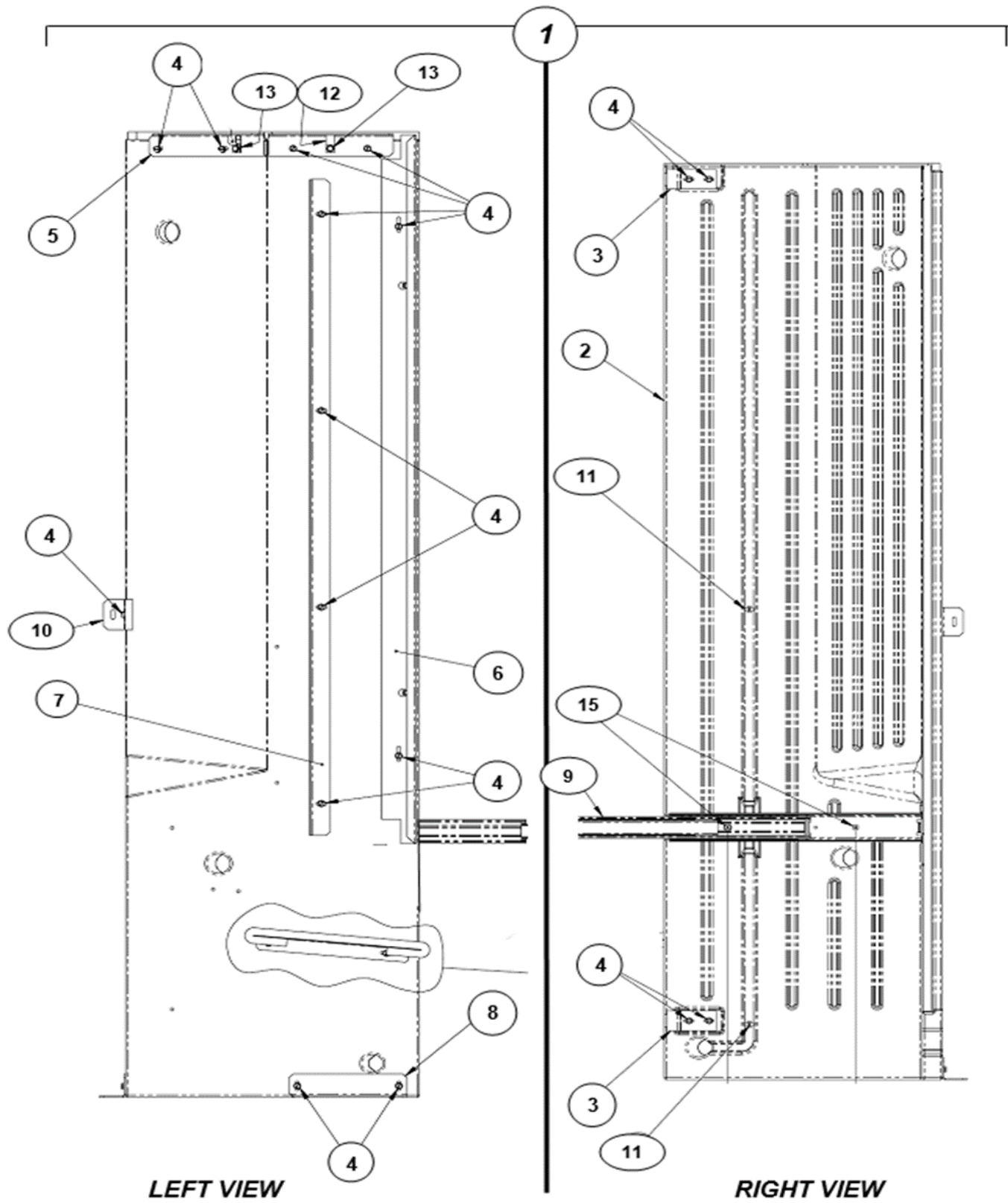
CRANE MERCHANDISING SYSTEMS

ITEM	PART NUMBER		DESCRIPTION	QTY
	448, 948 (4W)	449, 949 (6W)		
1	108105	108105	COVER - DEL. DOOR ROD	1
2	111540	111540	PLATE, DEL DOOR ROD	1
3	103257	103257	HINGE-DEL DOOR-MALE	1
4	100213	100213	HOLE PLUG, .750 DIA BLACK CMB	4
5	104123	104123	CARRIAGE BOLT SHORT SQ NECK	4
6	100156	100156	1/4-20 KEPS NUT ZN	4
7	108283	112865	WIDE DEL BIN ASSY, COM, SER <i>(Full View Page 5)</i>	1
8	108013	108013	BRACKET, BIN SEAL LEFT	1
9	108025	108025	BRACKET, BIN SEAL RIGHT	1
10	104382	104382	GASKET, DEL BIN SIDE	1
11	108109	108109	BRACKET, CAB PROD DEFLECTOR	1
12	108110	108110	BRACKET, L/CAB PROD DFLCTR	1
13	104387	104387	GASKET, GLASS, BTM. LEFT CNR	1
14	104749	104749	ASM SHELL FOAM, "T" BLACK	1
15	101285	101285	LEG ASSY, COMPLETE 6"	4
	100340	100340	SCRW,HEX 5/16-18x3/4TRILOB CMB <i>(Not Shown)</i>	16
16	106101	106101	LEVERLER-LEG	4
17	114931	104297	INTAKE SCREEN	1
18	108037	108037	HINGE, T BLACK MERCHANT	1
NS	106587	106587	HARNESS-COMPRESSOR/EVAP FAN	1
19	108061	108061	TRAY RAIL ASM-LEFT HAND WITH ROLLER <i>(Snack & Candy tray)</i>	1
---	113904	113904	RIVET-GUIDE RAIL ROLLER <i>(Part of 108061)</i>	1
----	113912	113912	ROLLER-RAIL	1
----	100243	100243	STUD-FLUSH HD.-#8-32 x .38	2
NS	104575	104575	MTG BRKT+SLIDE ASM RIGHT HAND <i>(Bottle Tray)</i>	1
----	100243	100243	SCREW-#8-10 x.5 T/F-PHS	4
----	105462	105462	SLIDE BRKT, BTL TRAY LT MC	1
----	100153	100153	NUT #8-32 KEPS ZINC PLATE	2
----	104144	104144	SLIDES, BOTTLE TRAY M COMB	1
20	108059	108059	TRAY RAIL ASM-RIGHT HAND WITH ROLLER <i>(Snack & Candy tray)</i>	1
----	113904	113904	RIVET-GUIDE RAIL ROLLER <i>(Part of 108059)</i>	0
----	113912	113912	ROLLER-RAIL	0
----	100243	100243	STUD-FLUSH HD.-#8-32 x .38	2
NS	104574	104574	MTG BRKT+SLIDE ASM LEFT HAND <i>(Bottle Tray)</i>	1
----	100243	100243	SCREW-#8-10 x.5 T/F-PHS	4
----	105643	105643	SLIDE BRKT, BTL TRAY RT MC	1
----	100153	100153	NUT #8-32 KEPS ZINC PLATE	2

CRANE **MERCHANDISING SYSTEMS**

----	104144	104144	SLIDES, BOTTLE TRAY M COMB	1
21	108282	111954	HORIZONTAL BARRIER ASSEMBY	1
22	108050	108050	BRKT-SHELF HOLD DOWN	2
23	104235	104236	GLASS DOOR ASSEMBLY	1
NS	110610	110610	SHIM-DOOR	1
NS	108028	108030	PANEL, TOP DOOR VANDAL	1
NS	103261	103261	RAMP-DOOR	2
24	103241	103241	COIN BOX-9"X5"X10.25" TALL	1
NS	113012	113012	KIT, LOCKING COIN BOX	----
25	108065	108065	BRACKET-TRAY SUPPORT LEFT FRONT	1
NS	111803	111803	BRACKET-TRAY SUPPORT RIGHT FRONT	1
26	108064	108064	BRKT-TRAY SUPPORT LEFT REAR	1
NS	108063	108063	BRKT-TRAY SUPPORT RIGHT REAR	1

MONETARY BARRIER ASSEMBLY



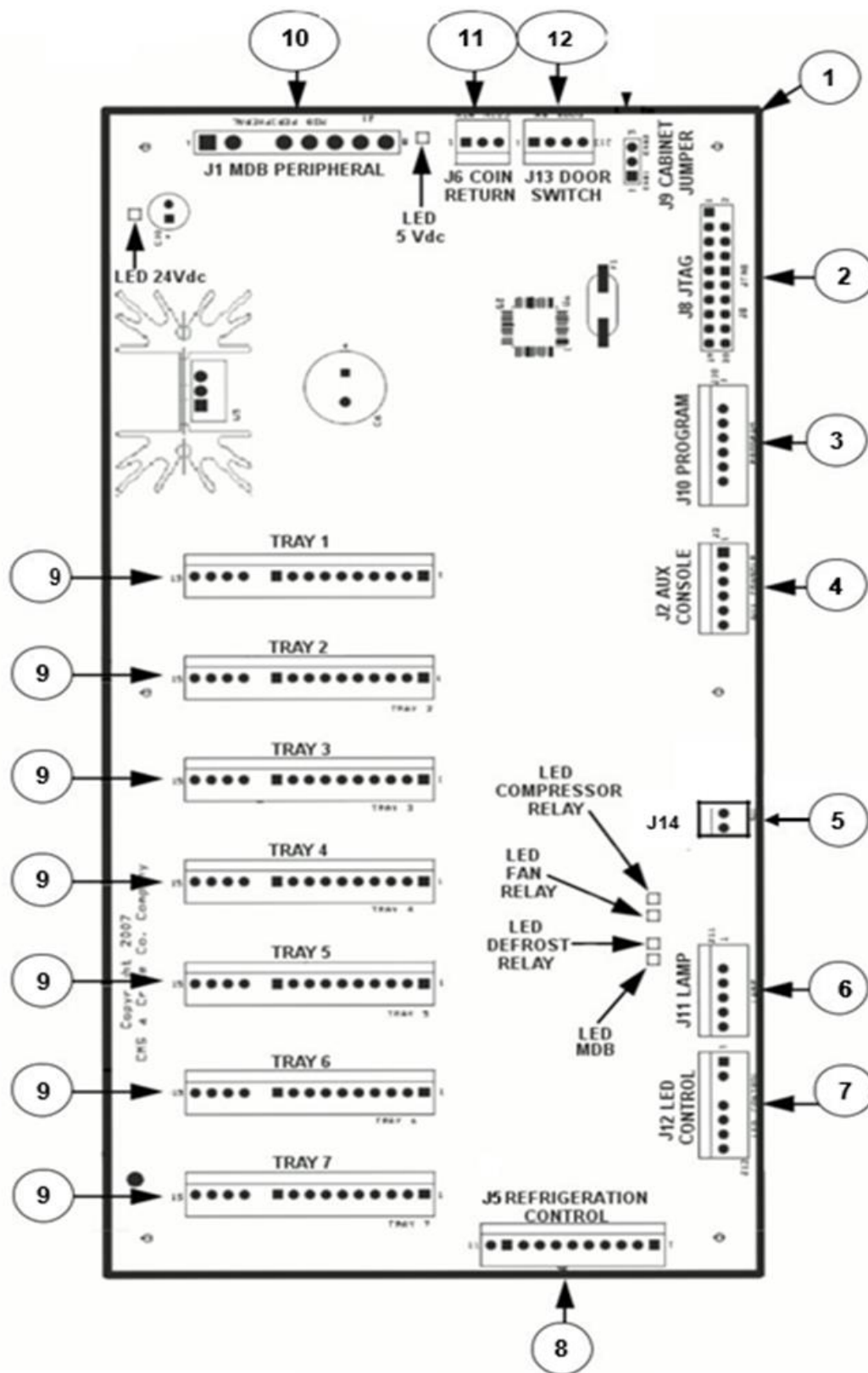
CRANE MERCHANDISING SYSTEMS

ITEM	PART NUMBER 4W & 6W	DESCRIPTION	QTY
1	N/A	ASM, MONETARY BARRIER	1
2	108215	A, MONETARY BARRIER FOAM R	1
3	106480	ARM, ENCLOSED LOCK	2
4	104175	SCRW,10-24X3/8 HWH MACH W/	23
NS	104246	GASKET,MONET BARRIER TOP	1
NS	104147	GASKET,MONET BARRIER SIDE	1
5	108043	BRKT, MONETARY BARRIER UPPER	1
6	111549	ASSY-LED REFLECTOR	1
NS	103198	ASSY-MTG-CLIP-ADJUST.-LED	2
NS	104049	WASHER STEEL 3/8X.147X.031	2
NS	100235	RIVET,R, 1/8 ALUMINUM BLACK	2
NS	111348	BRACKET, LED MOUNTING	1
7	108051	BRKT, TRAY SUPPORT ADJUST	1
8	108041	BRKT, MONETARY BARRIER LOW	1
NS	108039	BRKT, MONE BARRIER LWR-REAR	1
9	104213	SLIDE MONETARY	3
10	108036	BRKT, MON BARR VERT MTG	1
11	104161	WIRE SADDLE, WSBH-3-01	2
12	100060	CLAMP P, R, NYLON CABLE9/16"	2
13	104177	SCREW,R,#10 X .750 TEK-BLACK	2
NS	104351	HARNESS-LED-LIGHTING	1
14	104156	SCR,R,10-24X1/2 PAN HD MAC	2

CRANE MERCHANDISING SYSTEMS

ITEM	PART NUMBER	DESCRIPTION	QTY	CONNECTION
	4W & 6W			
1	110679	PCBA- MAIN CTL+VER 181.02.10	1	-----
2	107813	SHUNT, 2 PIN (<i>Sold as part of 110679</i>)	1	J35
3	103213	HARNESS-DEX INTERFACE	1	J36
4	106161	HARNESS KEYPAD	1	J10
5	105898	STANDOFF, PCB-.375 KEY	4	-----
6	110678	DATA KEY-VER 181.02.10-150X		J9A
7	106163	HARN MDB	1	J39
8	110630	HARNESS-PWR PNL 24V	1	J3
9	N/A	SHUNT (<i>Not used</i>)	1	JP1
10	100624	BATTERY CR2032 – (<i>Also available locally</i>)	1	BAT1
11	110378	MTG BRKT, PCB MERCHANT	1	-----
12	110352	COVER, PCB BOARD	1	-----
13	100240	SCREW-#8-18 x .62 HEX/WH.	2	-----
14	103123	SWITCH	1	-----
15	101165	STANDOFF-PCB-3/8 SCREW MOUNT	2	-----
16	103721	HEALTH CONTROL KEY	1	J9A Main Board

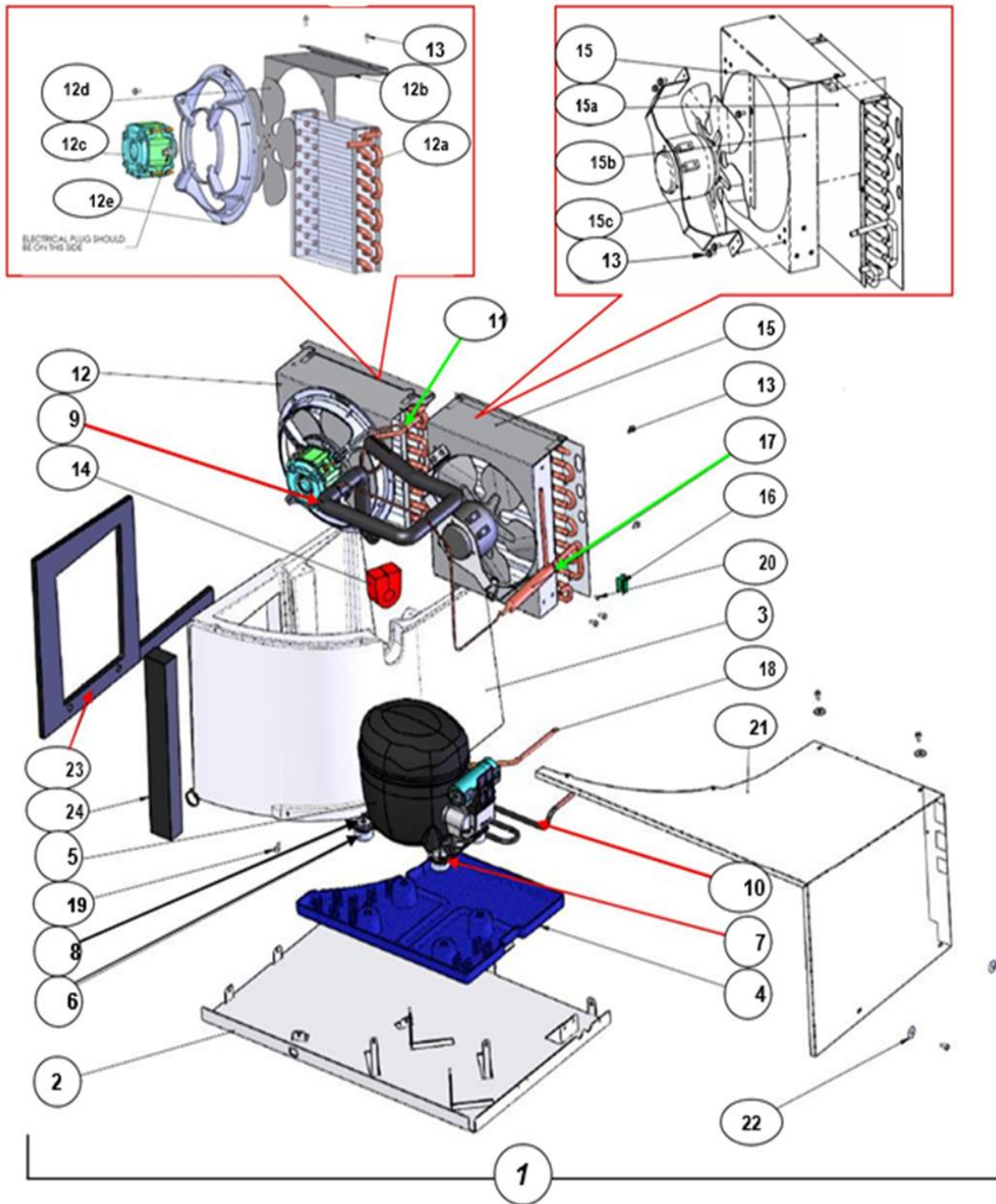
MOTOR CONTROLLER AND HARNESSING



CRANE MERCHANDISING SYSTEMS

ITEM	PART NUMBER		DESCRIPTION	QTY	CONNECTION
	448, 948 (4W)	449, 949 (6W)			
1	104370	104370	PCB ASSY-MERCHANT IO-V2.22	1	-----
2			NOT USED		J8
3			NOT USED		J10
4	NA	103726	HARNESS-TEMP SENSOR EXT	1	J14
5	106160	106160	HRN DRVR BRD SUREVEND	1	J3
6	106585	106585	HARNESS-LAMP	1	J11
7	N/A	N/A	NOT USED		J12
8	103722	SAME	HARNESS-REFRIGERATION	1	J5
9	NA	110702	HARNESS-10 MOTOR BOTTLE	1	TRAY 1
	NA	110703	HARNESS-12 MOTOR COMBO	1	TRAY 2
	NA	104452	HARNESS-6 MOTOR COMBO	1	TRAY 3
	104453	NA	HARNESS-7 MOTOR BOTTLE	1	TRAY 4
	112878	NA	HARNESS-8 MOTOR COMBO	1	TRAY 5
	104454	NA	HARNESS-COMBO 4 MTR TRAY	1	TRAY 6
	NA	NA	<i>OPTIONAL TRAY HARNESS</i>	1	TRAY 7
10	106163	106163	HARN MDB	1	J1
11	104222	104222	HARN COIN RETURN MOTOR	1	J6
12	112260	112260	HARNESS-DOOR SWITCH	1	J13
NS	103191	103191	MOTOR COUPLER HARNESS	1	-----

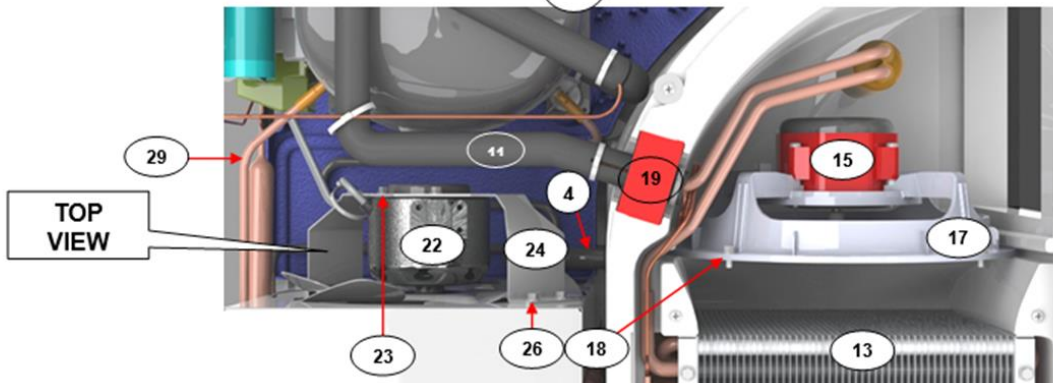
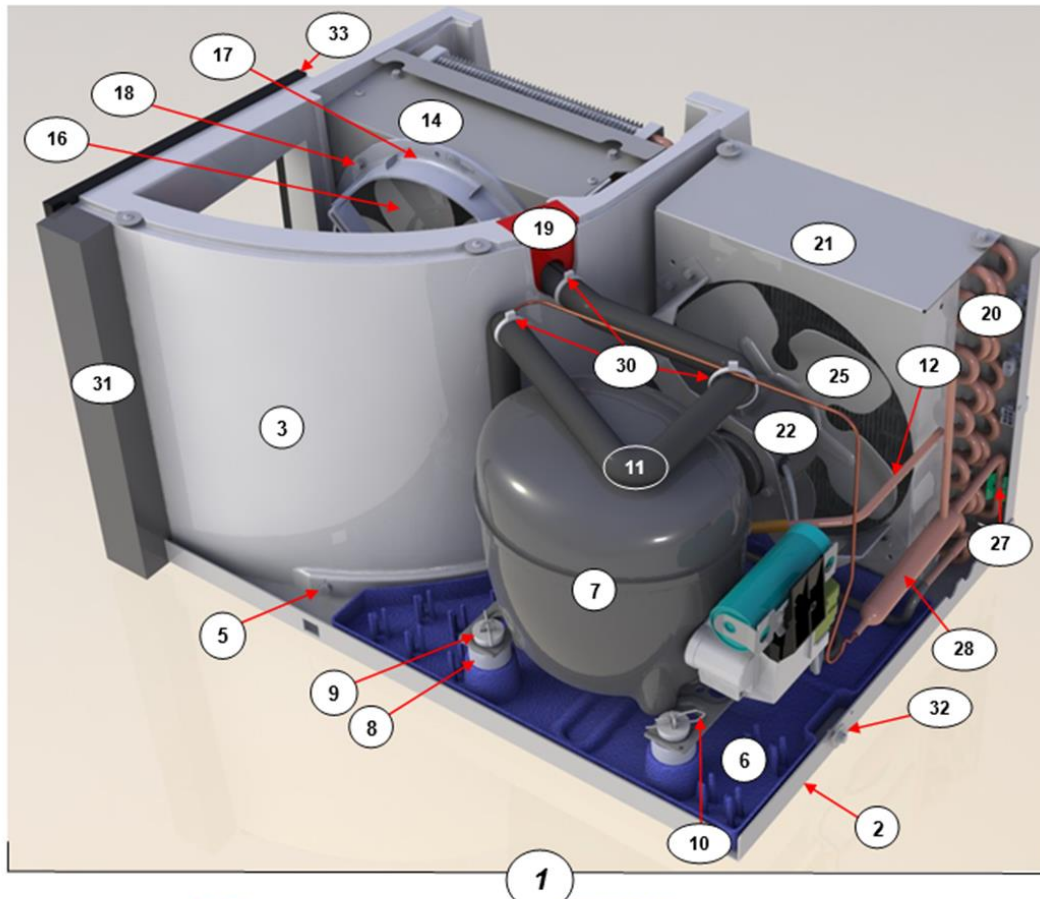
REFRIGERATION UNIT 120V



CRANE MERCHANDISING SYSTEMS

ITEM	PART NUMBER		DESCRIPTION	QTY
	448, 948 (4W)	449, 949 (6W)		
1	111375	108697	A, REFR DECK, 115V60HZR134A, RM	1
2	104604	104668	TRAY, REFR UNIT	1
3	101626	101626	ASSY, EVAP BOX, MOLDED	1
4	102962	102962	PAN, R, CONDENSATE W/WICKS	1
5A	101572	101569	COMP, A, FFU100HAK HST 115V R134 (Part of item 1)	1
5B	110390	101112	OVERLOAD COMP FFU100 (Part of item 5)	1
5C	101141	101141	RELAY COMP STRTFFU130HAX (Part of item 5)	1
5D	100821	108821	CAPCTR, COMPRESR STRT FFU130HAX (Part of item 5)	1
6	100115	100115	GROMMET, R, COMPRESSOR (Part of item 5)	4
7	102994	102994	PLUG, R, COMPRESSOR GROMMET (Part of item 5)	4
8	100088	100088	CLIP, R, RETAINER COMPRESSOR (Part of item 5)	4
9	104606	104670	A, HEAT EXCHANGE FORMED DOM	1
10	105657	105657	TUBE, COPPR SUCTION LINE DOM RM	1
11	101664	101663	COPPER 5/16OD X .028W	
12	111377	111377	ASSY, EVAP COIL AND FAN	1
12a	101621	101624	EVAPORATOR, 3R X 8 X 9	1
12b	104605	104605	SHROUD, FAN	1
12c	110719	110719	MOTOR, EVAPORATR ECPLUS 115V	1
12d	112504	112504	FAN BLADE, EVAPORATR	4
12e	-----	-----	FAN, BASKET, WELLINGTON (Not sold separately)	
13	100321	100321	SCREW 8-32X3/8 HXWSHR	4
14	100116	100116	GROMMET, EVAP BOX SEAL	1
15	111376	111376	A, CONDNSR 2x8x9 EM&S 120V9W	1
15a	101590	101590	CONDENSER, 3R X 8 X 11	1
15b	104576	104576	SHROUD, COND FAN 8" FACE	1
15c	104559	104559	A, CONDENSER FAN MOTOR, STRAP	1
15d	101633	101633	115V 9W FAN ASSY EM&S CW (Hardware included)	
16	100095	100095	CLIP, SPRING 5/16-1/4 COUPLE	1
17	100693	100693	DRYER, R, .054 EXTND OUTLT R134a	1
18	105307	105307	A, TUBE PROCESS 6.75IN	1
19	100287	100287	SCREW, R, #10 X .750 TEK ZINC	1
20	100318	100318	SCRW, R, 8-32x1/4 PHL PAN SWGFRM	1
21	101613	101614	DUCT, CONDENSER EXIT 3R	1
22	100486	100486	WASHER, PLATE SS	4
23	104155	104155	GASKET SET, REFR UNIT	1
24	104381	104381	GASKET, 1.75 X 1.181 SOFT	1
NS	110704	110704	PROBE, TEMP SENSOR (Not Shown)	3
NS	110705	110705	HARNESS, TEMP SENSORS (Not Shown)	1
NS	101019	101019	HARNESS, FAN EXTENSION (Not Shown)	1
NS	101018	101018	HARNESS, COMPRESSOR EXT (Not Shown)	1
NS	104405	104405	EVAP BOX GASKET (Not Shown)	1
NS	108044	108044	AIR PLENUM	1

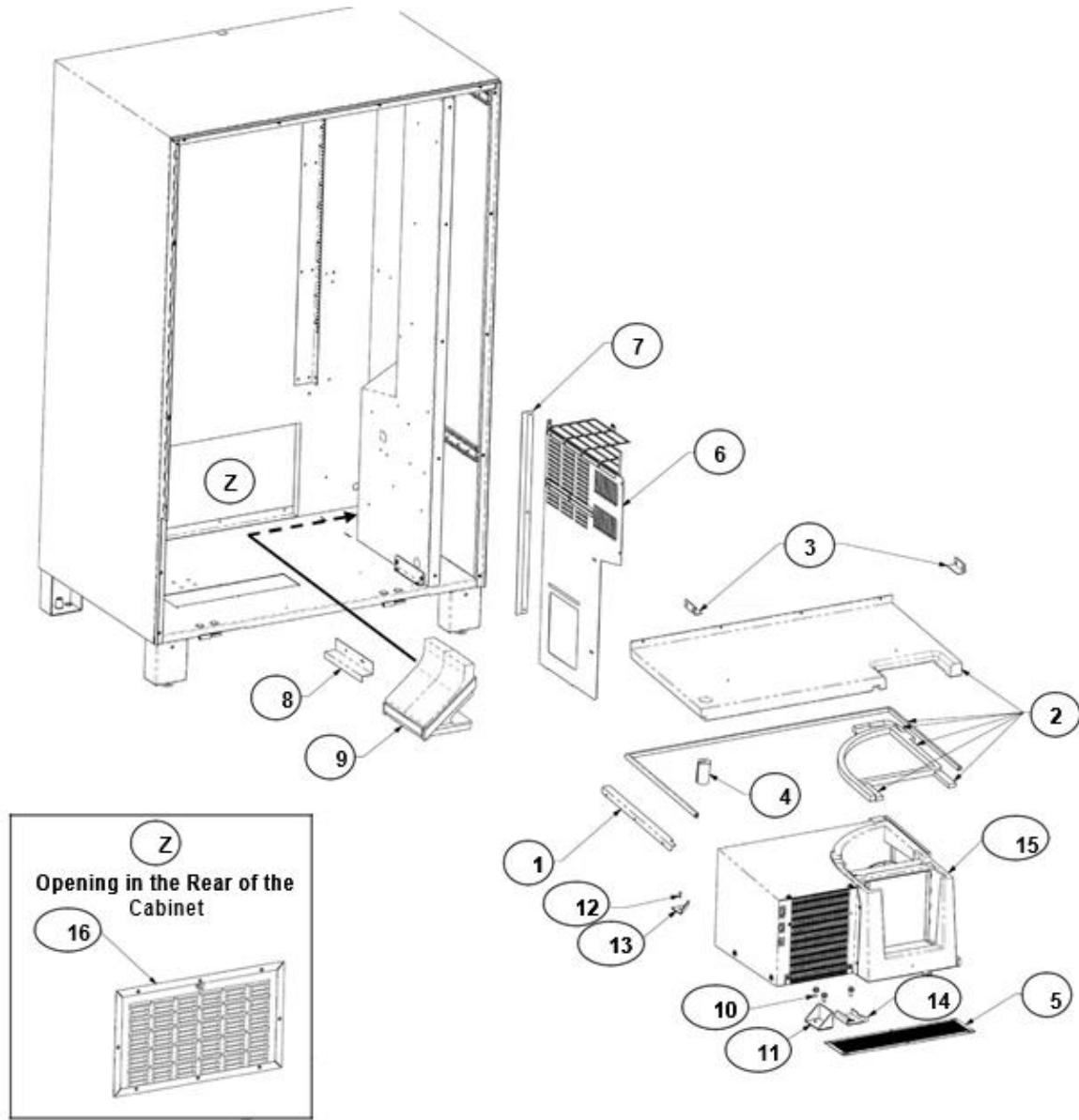
REFRIGERATION UNIT ASSEMBLY 230V



CRANE MERCHANDISING SYSTEMS

ITEM	PART NUMBER	DESCRIPTION	QTY
	4W & 6W		
1	111381	A, REFR DECK,230V50HZR134A, RM	1
2	104604	TRAY, REFR UNIT	1
3	101626	ASSY, EVAP BOX, MOLDED	1
4	110391	DRAIN TRAP, CONDENSATE	1
5	100287	SCREW, R, #10 X .750 TEK ZINC	4
6	102962	PAN, R, CONDENSATE W/WICKS	1
7	101573	COMP, A, FFU130HAXHST,220R134 (Part of #111381)	1
7a	110375	COMP, FFU130HAXHST,220V, R134 (Part of #7)	1
NS	110393	COVER, ELECTRICAL COMP, INT (Not Shown)	1
NS	101562	BRACKET, CAPACTR FFU130HAX (Not Shown)	1
NS	110392	CAPCTR START, A, FFU130HAX220 (Not Shown)	1
NS	Not Shown	RELAY, COMPSTRT, FFU130HAX230 (Part of # 7)	1
NS	Not Shown	CORD, RELIEF FFU130HAX 230V (Part of 7)	1
NS	Not Shown	OVERLD, COMPRSR FFU130HAX230 (Part of # 7)	1
8	100115	GROMMET, R, COMPRESSOR	4
9	102994	PLUG, R, COMPRESSOR GROMMET	4
10	100088	CLIP, R, RETAINER COMPRESSOR	4
11	104606	A, HEAT EXCHANGE FORMED	1
12	105586	A, TUBE, CONDENSATE LOOP	1
13	101621	EVAPORATOR 3RX8X9	1
14	104605	SHROUD FAN 9X8X3.7	1
15	101628	FAN, A, EBM 1900 RPM 230/50	1
16	112504	FAN, WELLINGTON	1
17	-----	FAN, BASKET (Not sold separately)	1
18	100321	SCRW, R,8-32x3/8 TYPE1 HXWSHR	4
19	100116	GROMMET, EVAP BOX SEA	1
20	402759	A, CONDNSR 3x8x9EM&S 220V16W	1
20a	101590	CONDENSER, 3R X 8 X 11 (Part of #20)	1
21	104576	SHROUD, COND FAN 8" FAC (Part of #20)	1
22	104583	A, CONDNSR FAN MTR, STRP EXP (Part of #20)	1
22a	101095	MOTOR, A, FAN EM&S,16W 230V/50HZ (Part of # 20)	1
23	100321	SCRW, R,8-32x3/8 TYPE1 HXWSHR	4
24	104625	STRAP, FAN,EMS	1
25	101557	BLADE, FAN	1
26	100321	SCRW, R,8-32x3/8 TYPE1 HXWSHR	6
27	100095	CLIP, SPRING 5/16-1/4 COUPL	1
28	100693	DRYER,R.,054 EXTND	2
29	105307	A, TUBE PROCESS 6.75IN	1
30	100514	WIRE TIE 7 1/2 LENGTH	1
NS	110704	PROBE, TEMP SENSOR (Not Shown)	5
NS	110705	HARNESS, TEMP SENSORS (Not Shown)	3
NS	101019	HARNESS, FAN EXTENSION (NOT SHOWN)	1
NS	101018	HARNESS, COMPRESSOR EXT (NOT SHOWN)	1
NS	100516	WIRE TIE, R, TWIST, .56-.60 ID (Not Shown)	1
NS	100486	WASHER, PLATE SS (Not shown)	7
NS	101658	SOAKER, R, FIBERGLASS CONDENSATE (Not shown)	6
NS	111383	A, EVAP COIL FAN SHROUD EXP (Not shown)	1
NS	402503	TERMINL, R, ARKLESS90deg QCKCNCT (Not shown)	1

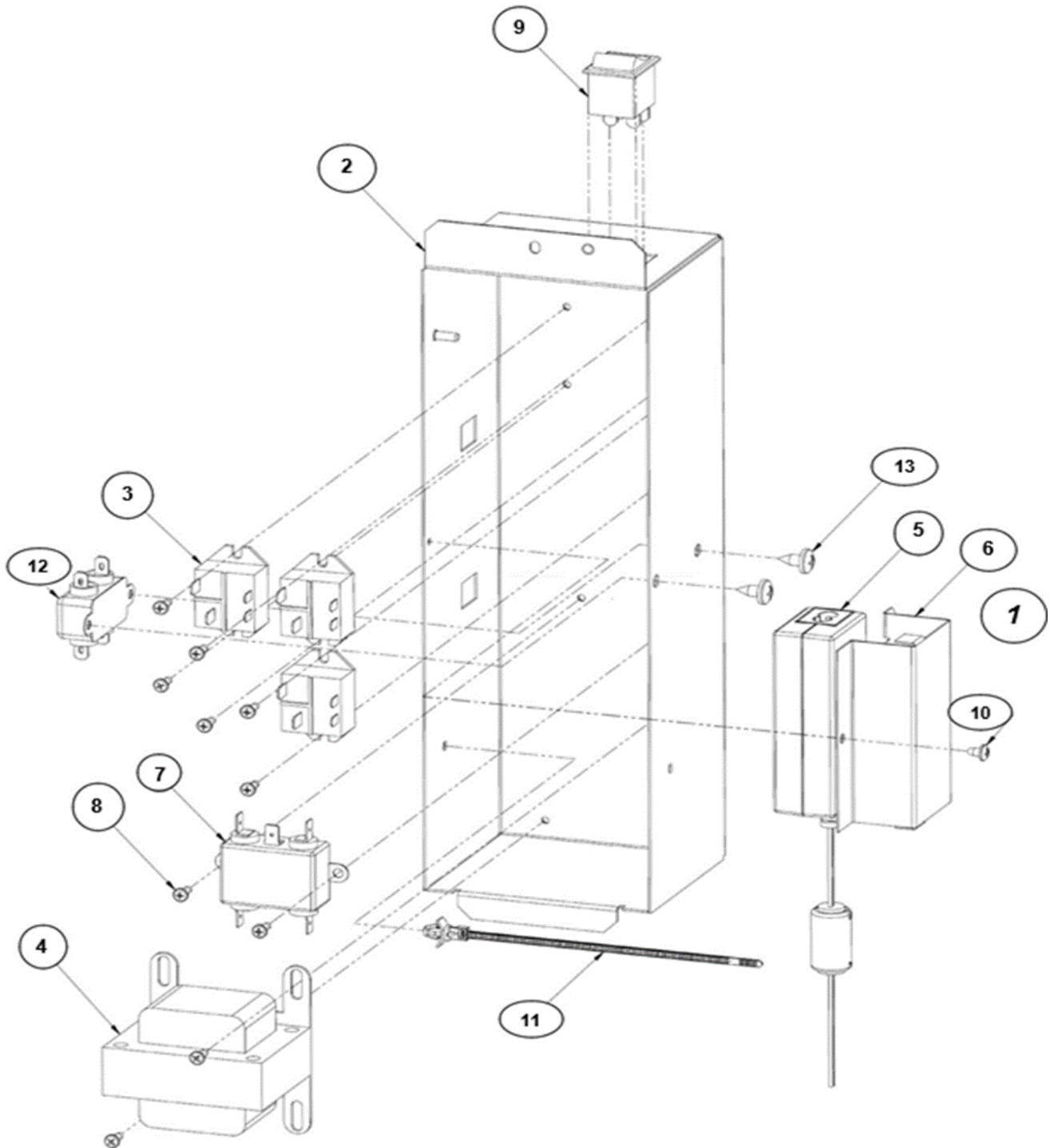
REFRIGERATION UNIT ACCESSORIES



CRANE MERCHANDISING SYSTEMS

ITEM	PART NUMBER		DESCRIPTION	QTY
	448, 948 (4W)	449, 949 (6W)		
1	108016	108016	BRACKET, HOR BAR, LEFT	1
2	108282	111954	HORIZONTAL BARRIER ASSEMBY	1
3	108050	108050	BRKT-SHELF HOLD DOWN	1
4	104312	104312	SEAL, WIRE OPENING	1
5	114931	104297	INTAKE SCREEN	1
6	108044	108044	AIR PLENUM	1
7	108033	108033	BRKT-AIR PLENUM MTG REAR	1
8	108034	108034	BRACKET-TRANSITION	1
9	104384	104384	EVAP TRANSITION ASSY	1
10	100340	100340	SCREW HEX 5/16-18X3/4 LG ROLOK	3 (on 6W) 1 (on 4W)
11	NA	108038	BRACKET-FALSE WALL	1
12	104177	104177	CREW,R,#10 X .750 TEK-BLK	1
13	108048	108048	BRACKET-REAR POSITION-REFER.	1
14	111728	111728	PLATE, DUAL POSITION LOCK	1
15	111375	108697	A,REFR DECK,115V60HZR134	1
	111381	111381	A,REFR DECK,230V50HZR134A	1
16	108052	108052	ASM, EGRESS SCREEN	1

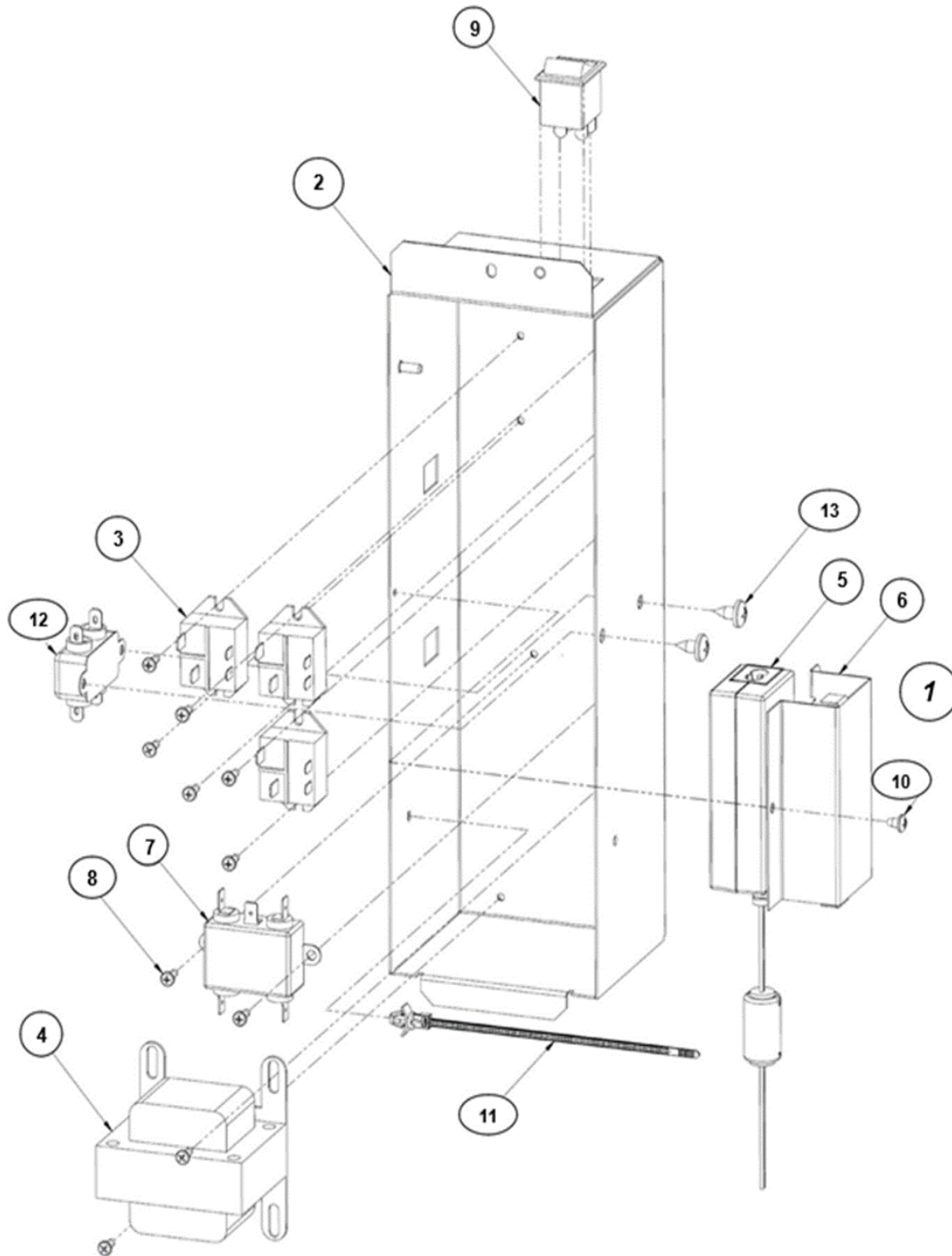
POWER PANEL ASSEMBLY DOMESTIC 120V



CRANE MERCHANDISING SYSTEMS

ITEM	PART NUMBER	DESCRIPTION	QTY
1	111046	ASSY, POWER BOX 115V MCMB	1
2	108967	A, STUD PWR SUPPLY MERCH CMB	1
3	104092	RELAY, LIGHT 24V 20/25A	3
4	101241	TRANSFMR, CLASS 2 LIMITED CCBV2	1
5	106100	LED PWR SUPP, SWTCH MODE LINE-24Vdc	1
6	105688	BRKT, MOUNTNG 24V PWR SUPPLY	1
7	104060	FILTER, INTERFERENCE CRN	1
8	100301	SCREW, 8-32x3/8 PH T-23 ZN&WAX	10
9	101181	SWITCH, DPST, 20A, PNL MNT	1
NS	102174	LBL, WARN VOLTAGE DISCONNCT CMB	1
10	100318	SCRW, R, 8-32x1/4 PHL PAN SWGFRM B	1
11	110388	TIE, CABLE SELF-MOUNTING	1
12	100703	FILTER-LIGHT	1
13	100338	SCR PN/NIBS HD TYPE AB 1/4	2

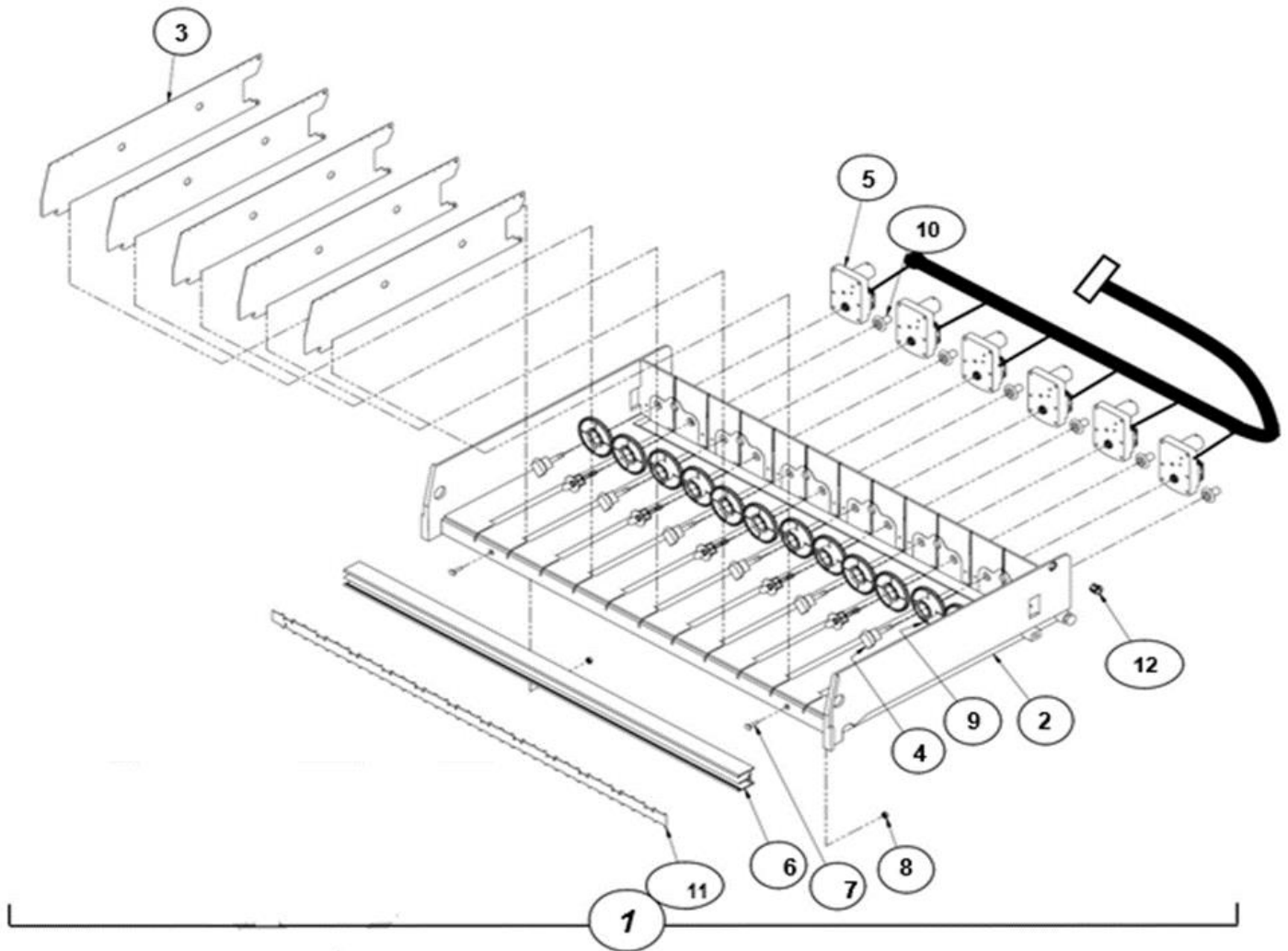
POWER PANEL ASSEMBLY -230V



CRANE MERCHANDISING SYSTEMS

ITEM	PART NUMBER	DESCRIPTION	QTY
1	112877	ASSY, POWER BOX 220V MCMB	1
2	108967	A, STUD PWR SUPPLY MERCH CMB	1
3	104092	RELAY, LIGHT 24V 20/25A	3
4	101238	TRANSFORMER,R, EXPORT	1
5	106100	LED PWR SUPP,SWTCH MODE LINE-24Vdc	1
6	105688	BRKT,MOUNTNG 24V PWR SUPPLY	1
7	104060	FILTER, INTERFERENCE CRN	1
8	100301	SCREW, 8-32x3/8 PH T-23 ZN&WAX	10
9	101181	SWITCH, DPST, 20A, PNL MNT	1
NS	102174	LBL,WARN VOLTAGE DISCONNCT CMB	1
10	100318	SCRW,R,8-32x1/4 PHL PAN SWGFRM B	1
11	110388	TIE, CABLE SELF-MOUNTING	1
12	100703	FILTER-LIGHT	1
13	100338	SCR PN/NIBS HD TYPE AB 1/4	2

SNACK AND CANDY TRAY ASSEMBLY



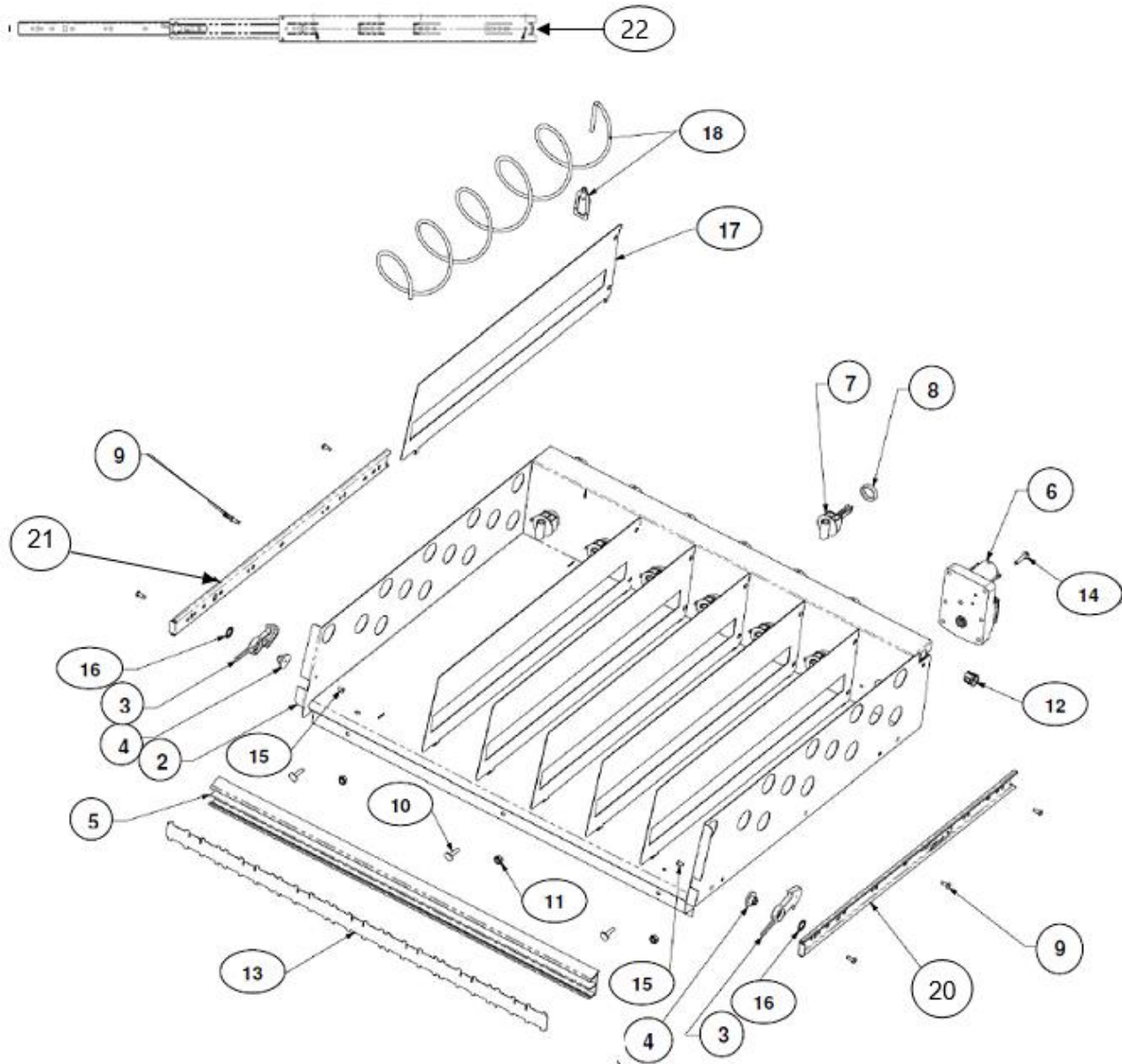
CRANE MERCHANDISING SYSTEMS

ITEM	448, 948 (4W)	449, 949 (6W)	DESCRIPTION	QTY 4W	QTY 6W
1	114266	114268	SNACK TRAY ASSEMBLY (NO SPIRALS)	----	----
	111047	114269	CANDY TRAY ASSEMBLY (NO SPIRALS)	----	----
	110403	110404	SNACK TRAY ASSY (W/RAILS & SPIRALS)	----	----
	110405	110406	CANDY TRAY ASSEMBLY (W/ RAILS & SPIRALS)	----	----
	108061	108061	A LEFT TRAY RAIL W/ROLLR (Snack & Candy)	1	1
	108059	108059	A RIGHT TRAY RAIL W/ROLLR (Snack & Candy)	1	1
2A	104200	104269	ASSY, TRAY W/ROLLERS	1	1
2B	105865	105865	AXLE-TRAY ROLLER – PART OF #2	2	2
2C	112049	112049	ROLLER-TRAY – PART OF #2	2	2
3	103227	103227	WALL-TRAY	----	----
4	103159	103159	COUPLING-SPIRAL	----	----
5	101067	101067	MOTOR & PC BOARD ASSEMBLY	4/8	6/12
NOTE: ITEM 6 BELOW USED BEFORE JUNE 2017					
6	103214	104139	HOLDER, PRICE & SELECTION	1	1
NOTE: ITEM 6A BELOW USED AFTER JUNE 2017					
6A	104422	104417	RAIL, PRICE SNACK CMB	1	1
7	100027	100027	T BOLT 8-32 X 3/4	2	2
8	100153	100153	NUT, #8-32 KEPS ZINC PLATE	----	----
9	103141	103141	GEAR, TRAY	8	12
10	103142	103142	BEARING-COUPLER	8	12
11	103214	104139	HOLDER, PRICE & SELECTION	1	1
12	104068	104068	BUSHING, 0.512 DIAMETER	1	1
13	104454	----	HARNESS, 4 MOTOR COMBOS	1	----
	112878	----	HARNESS, 8 MOTOR COMBOS	1	----
	----	104452	HARNESS, 6 MOTOR COMBOS	----	1
		110703	HARNESS, 12 MOTOR COMBOS	---	1
NOTE: ITEM 14 BELOW USED BEFORE JUNE 2017					
14	104142	104142	LABEL, ITEM #'s-100's	1	1
	104148	104148	LABEL, ITEM #'s-200's	1	1
	104149	104149	LABEL, ITEM #'s-300's	1	1
	104150	104150	LABEL, ITEM #'s-400's	1	1
	104151	104151	LABEL, ITEM #'s-500's	1	1
	104152	104152	LABEL, ITEM #'s-600's	1	1
NOTE: ITEM 14A BELOW USED AFTER JUNE 2017					
14A	110725	110725	ITEM NUMBERS LABEL	1	1
15	104312	104312	SEAL, TRAY HARNES WR OPNNG	1	1
NS	105644	105644	BRACKET, PLUG, TRAY (Not Shown)	1	1
			SPIRAL OPTIONS 28" DEEP MACHINE SEE TABLE ON PAGE 31		

SPIRAL OPTIONS 28" DEEP MACHINE

SPIRAL OPTIONS 28" DEEP MACHINE					
ITEM COUNT	RETAINER COLOR	L/H ASSEMBLY	R/H ASSEMBLY	RETAINER	DIMENSION BETWEEN COILS
4	GREEN	106077	106078	103130	3.66"
5	TAN	103224	103225	106581	2.90"
6	PURPLE	103223	106075	112013	2.46"
7	BROWN	106079	106080	105867	2.23"
8	GRAY	106071	106072	105874	1.81"
10	BLUE	106068	103218	105819	1.44"
12	YELLOW	106069	106070	103128	1.18"
14	RED	103219	103220	103129	1.00"
18	WHITE	103221	103222	105820	.75"

CRANE MERCHANDISING SYSTEMS
BOTTLE TRAY ASSEMBLY



CRANE MERCHANDISING SYSTEMS

ITEM	PART NUMBER		DESCRIPTION	4 W	6W
	448, 948 (4W)	449, 949 (6W)			
1A	110407	110408	KIT, BOTTLE TRAY	----	----
1B	110407	110408	KIT, BOTTLE TRAY (W/ spirals & rails)	----	----
2	108136	108135	WELD ASSY, BOTTLE TRAY	----	----
3A	103140	103140	LATCH	2	2
3B	100221	100221	RING, R, RETAINING, CIRCULA	4	4
4	104040	104040	STUD-TRAY LATCH	2	2
5	104397	110362	RAIL, PRICE & SELECTION	1	1
6	101067	101067	MOTOR & PC BOARD ASSEMBLY	7	10
7	103159	103159	COUPLING-SPIRAL	7	10
8	103720	103720	SPACER-MOTOR	7	10
9	100301	100301	8-32X3/8 PN/NIBS HD T23 BL	6	6
10	100027	100027	T BOLT 8-32 X 3/4	3	3
11	100153	100153	NUT, #8-32 KEPS ZINC PLATE	----	----
12	104068	104068	BUSHING, 0.512 DIAMETER	1	1
13	104179	104178	HOLDER, PRICE	1	1
14	100239	100239	SCREW, #8-32 X .81 HEX HD.	7	10
15	100223	100223	RIVET, POP-.125 DIA X .265	2	2
16	100221	100221	RETAINER, .312 PUSH ON	2	2
17	111962	111962	A, DIVIDER & SPRNG TRAY RM/MER	6	9
18A	110397	110397	ASSY-4CT LH SPIRAL & BLK RET	7	10
18B	110449	110449	ASSY,5CT LH SPIRAL & TAN RET	7	10
19	104453	110702	HARNESS-MOTOR BOTTLE (NOT SHOWN)	1	1
20	104575	104575	MTG BRKT+SLIDE ASM RT	1	1
21	104574	104574	MTG BRKT+SLIDE ASM LT	1	1
22	104144	104144	SLIDES, BOTTLE TRAY	2	2

CRANE MERCHANDISING SYSTEMS

WIRE HARNESSING

PART NUMBER		DESCRIPTION	CONNECTOR
448,948 (4W)	449,949 (6W)		
106163	106163	HARN MDB	J39 – J1
112279	112279	HARN COIN RETURN MOTOR	J6
103213	103213	HARNESS-DEX INTERFACE	J36
106160	106160	HRN DRVR BRD SUREVEND	J3 – MOTOR BOARD
106161	106161	HARNESS KEYPAD	J10
112260	112260	HARNESS-DOOR SWITCH	J13
104292	104292	HARNESS-SV DET. TO EMITTER	
103289	103289	HARNESS-M/CNTRL TO OPTREX	
103726	103726	HARNESS-TEMP SENSOR EXT	J2
104351	104351	HARNESS-LED-LIGHTING	
110630	110630	HARNESS, POWER PANEL 24V	J3 MAIN BOARD
106583	106583	HARNESS-PWR PNL SWITCH	J100 POWER PANEL
106584	106584	HARNESS-PWR PNL FILTER	POWER PANEL
100676	100676	HARNESS-SMPS PWR ADAPTER	
106585	106585	HARNESS-LAMP	J11
103722	103722	HARNESS-REFRIGERATION	J5
104455	104455	HARNESS-COMBO TRAY CHANNEL	
106587	106587	HARNESS-COMPRESSOR/EVAP FAN	
106591	106591	HARNESS-BLACK JUMPER	
106592	106592	HARNESS-WHITE JUMPER	
112152	112152	LINE CORD INLINE GFCI 14/3 15A	POWER PANEL
101126	NA	POWER CORD-EURO PLUG	POWER PANEL
106582	NA	POWER CORD-W/BSI PLUG	POWER PANEL
106593	NA	HARNESS ASSY-EXEC INTERFACE	J40-J27
104454	NA	HARNESS-COMBO 4 MTR TRAY	TRAY CONNECTIONS MOTOR CONTROLLER BOARD
112878	NA	HARNESS-8 MOTOR COMBO	
104453	NA	HARNESS-7 MOTOR BOTTLE	
NA	104452	HARNESS-6 MOTOR COMBO	
NA	110703	HARNESS-12 MOTOR COMBO	
NA	110702	HARNESS-10 MOTOR BOTTLE	

BAG ASSEMBLY COMPONENTS

PART NUMBER	DESCRIPTION	QTY
110301	BAG COMPLETE	1
103138	ROLL-PRICE CENTS(KB)10,000	7
103139	ROLL-PRICE DOLLARS(KB)14,000/BX	7
103153	PUSHER-PRODUCT	4
103154	RETAINER-SPIRAL-WALL	4
103806	BAG-PLASTIC-12 X 15	1
104142	LABEL-ITEM #'s-100's MC	1
104148	LABEL-ITEM #'s-200's MC	1
104149	LABEL-ITEM #'s-300's MC	1
104150	LABEL-ITEM #'s-400's MC	1
104151	LABEL-ITEM #'s-500's MC	1
104152	LABEL-ITEM #'s-600's MC	1
112295	LABEL-ITEM #'s-700's MC	1
110725	KIT, ITEM NUMBERS LABEL 100's-700's	1
104160	LABEL-PRESS SELECTION FOR PRICE	1

DUAL ZONE BARRIER KIT

ITEM	PART NUMBER		DESCRIPTION	QTY
	448, 948 (4W)	449, 949 (6W)		
1	103126	103126	SCREW,#8-32X.31 HEX HD.TF	-----
2	100513	100513	TIE,R, WIRE 4" Length	1
3	100065	100065	CLAMP, NYLON CABLE 1/8 DIA	1
4	108055	108055	BRKT, INSULATED SHELF LT M	1
5	108053	108053	BRKT, INSULATED SHELF RT	1
6	104145	104145	SEAL, HORIZ BARRIER	1
7	108260	111953	ASSEMBLY- BARRIER	1
8	107591	107591	LABEL-DIVIDER	1
9	104140	104146	SHIELD, DUAL ZONE	1
10	108056	108047	COVER, FRONT EPS SHIELD	1