

1670049

# SureVend



## PARTS MANUAL



The Right Part, Right Now

**CRANE** MERCHANDISING SYSTEMS™ A Crane Co. Company  
**CMS PARTS & SUPPORT**

12955 Enterprise Way  
Bridgeton, Missouri 63044-1200  
(314) 298-3500

[www.CraneMS.com](http://www.CraneMS.com)

1670049



# List of Figures

---

1	Deflector.....	1
2	SureVend Emitter.....	2
3	SureVend Receiver.....	4
4	SureVend Receiver - Coffee Module Equipped Machines.....	6
5	Wiring - Hinge Side of Delivery Pan.....	8
6	Deflectors and Decal - Part 1.....	10
7	Deflectors and Decal - Part 2.....	12
8	Decal - 8-Select Can Module.....	14
9	Decals - Delivery Pan.....	15

---

# List of Tables

---

1	Deflector.....	1
2	SureVend Emitter.....	3
3	SureVend Receiver.....	5
4	SureVend Receiver - Coffee Module Equipped Machines.....	7
5	Wiring - Hinge Side of Delivery Pan.....	9
6	Deflectors and Decal - Part 1.....	11
7	Deflectors and Decal - Part 2.....	13
8	Decal - 8-Select Can Module.....	14
9	Decals - Delivery Pan.....	15

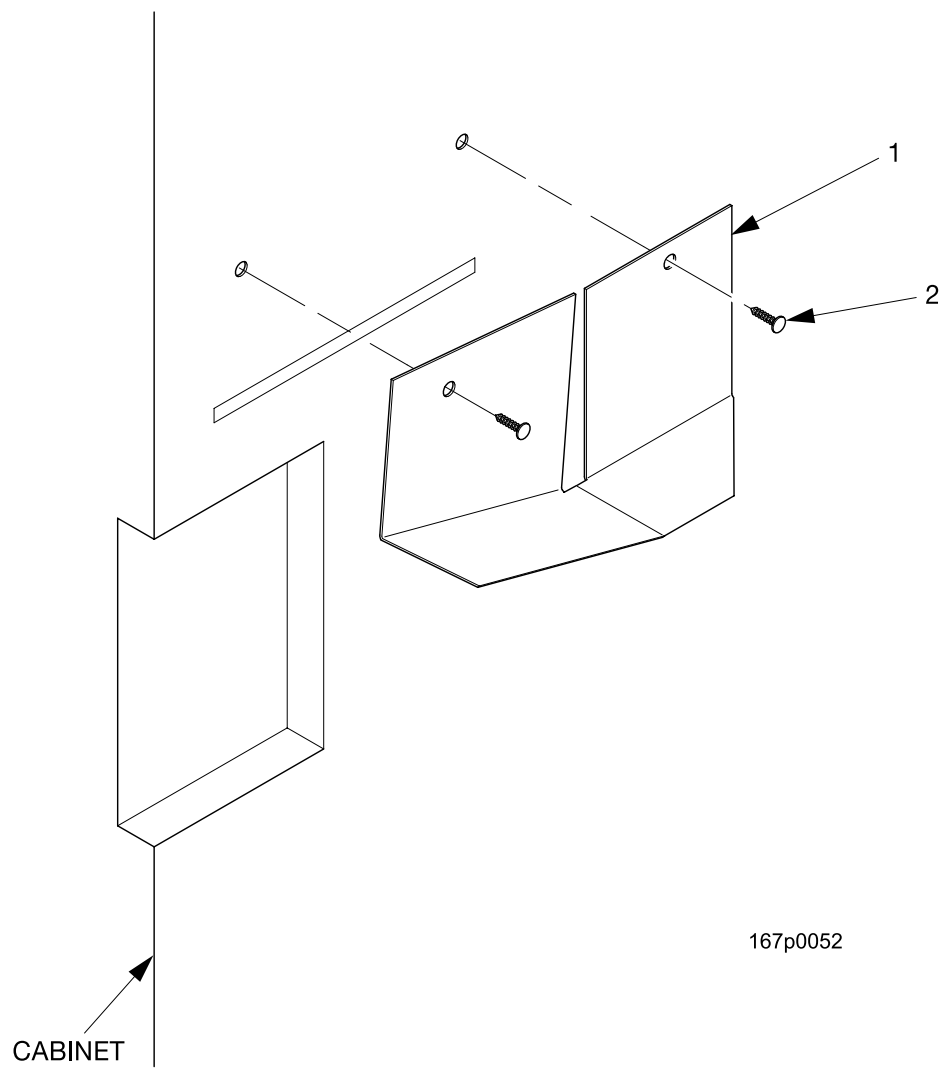
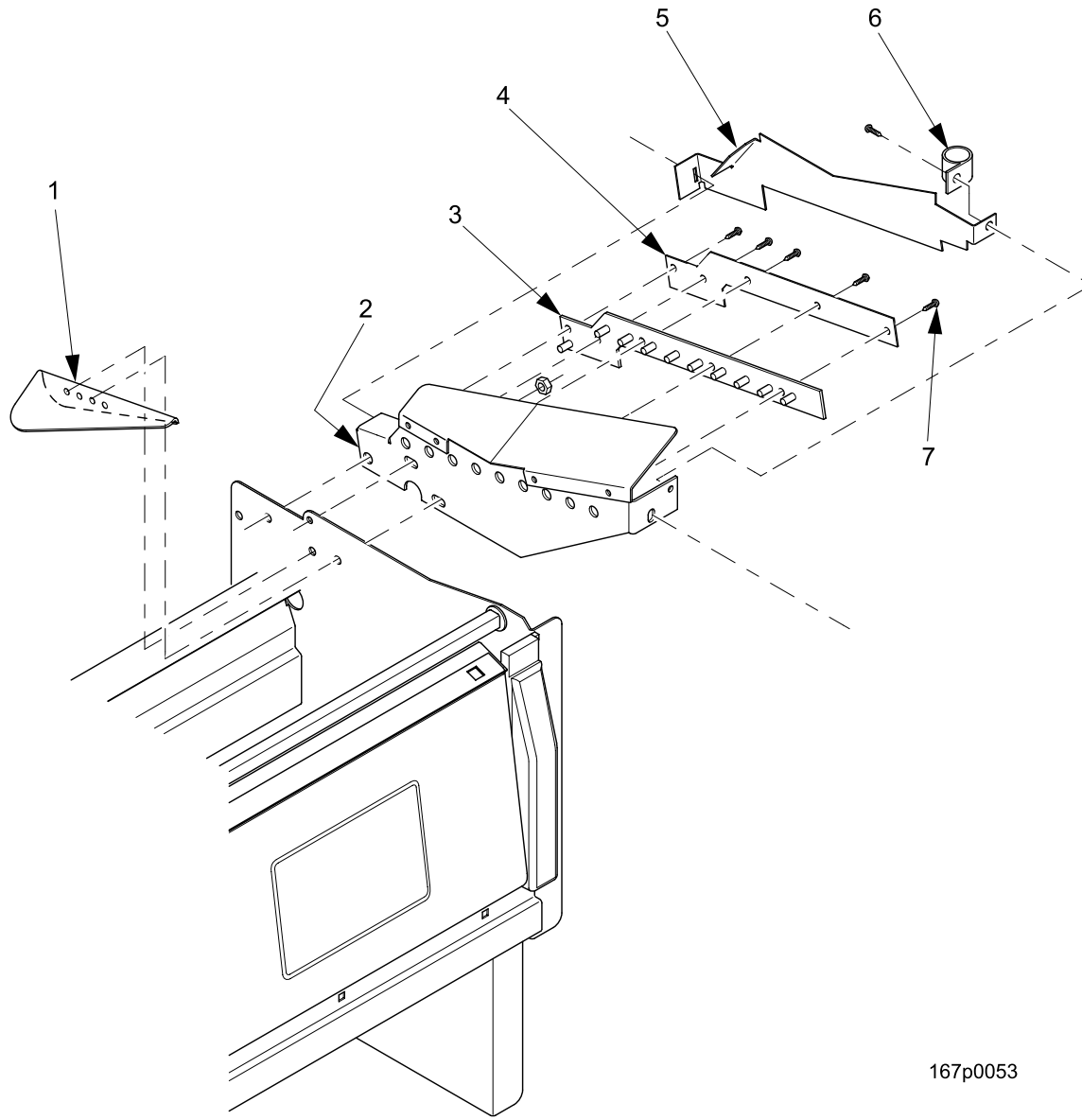


Figure 1. Deflector

TABLE 1. DEFLECTOR

INDEX	PART NUMBER	DESCRIPTION
1	1681058	DEFLECTOR-UPPER-SMALL SNACK
2	2342044	CLIP-CHRISTMAS TREE



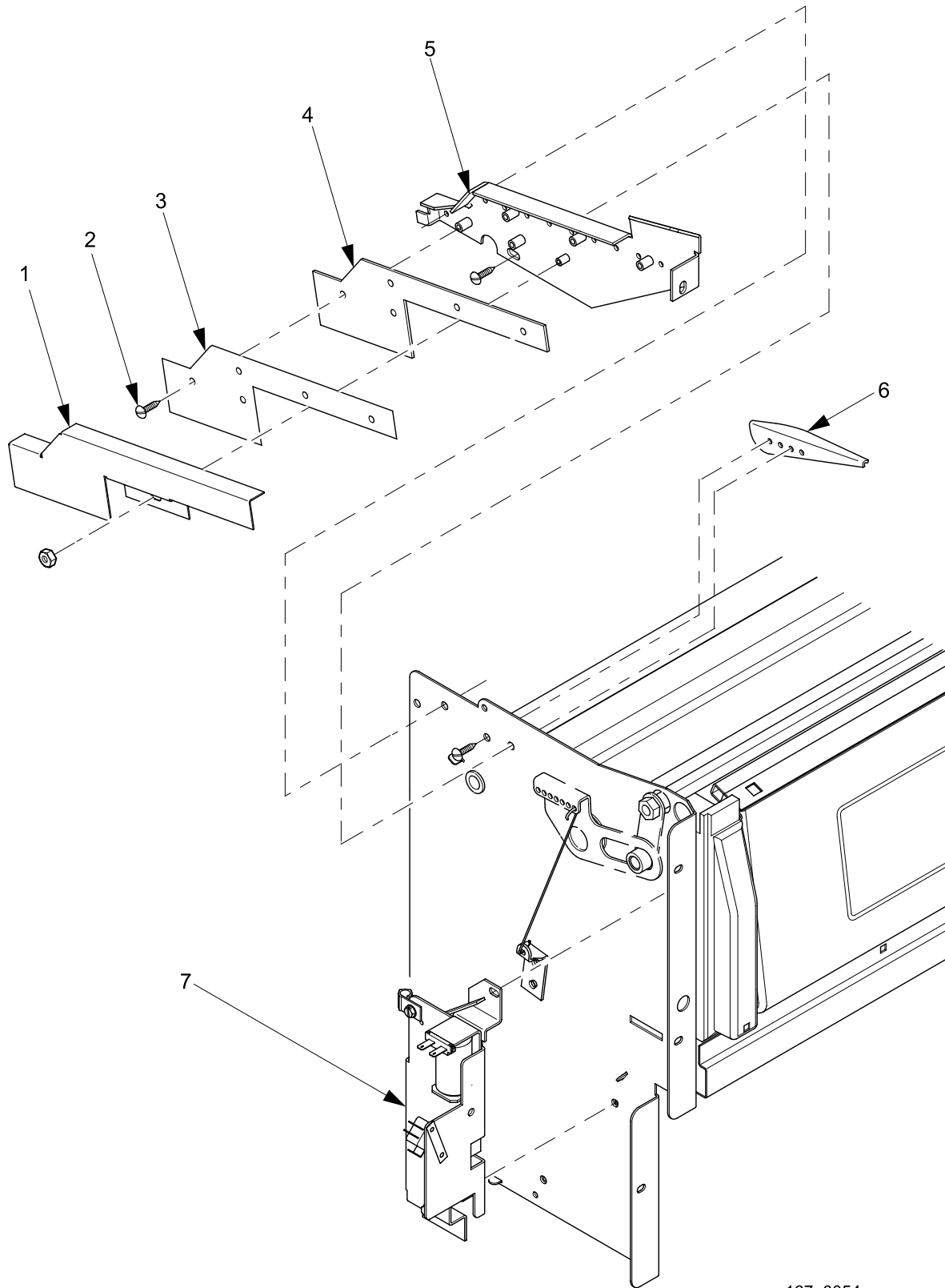
167p0053

LOCK SIDE OF DOOR

Figure 2. SureVend Emitter

**TABLE 2. SUREVEND EMITTER**

<b>INDEX</b>	<b>PART NUMBER</b>	<b>DESCRIPTION</b>
1	1672039	DEFLECTOR-INNER-LH-FLT" T"BLK
2	1672029	SENSOR BRKT ASSY-LT-SURE VEND
3	1676011	PCB ASSY-PRODUCT DET.-EMITTER
4	1672050	PAPER BACKING-LT PCB-SURE VEND
5	1672043	COVER-PCB-LH
6	1452139	RETAINER-HARNESS



167p0054

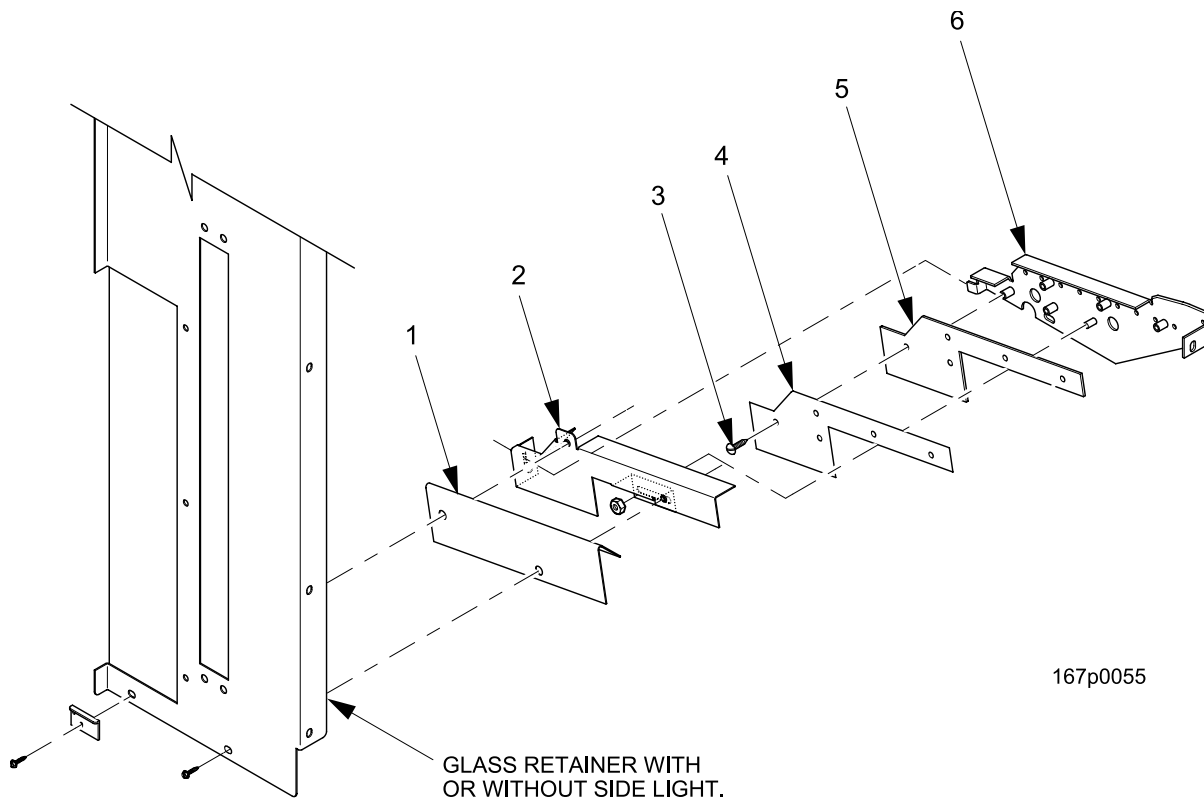
HINGE SIDE OF DOOR

Figure 3. SureVend Receiver



**TABLE 3. SUREVEND RECEIVER**

<b>INDEX</b>	<b>PART NUMBER</b>	<b>DESCRIPTION</b>
1	1672044	COVER-PCB-RH
2	5262216	1632104 #6-32X1/4 PPHD M SCR
3	1672051	PAPER BACKING-RT PCB-SURE VEND
4	1676000	PCB ASSY-PRODUCT DET.-RECEIVER
5	1672032	SENSOR BRKT ASSY-RT-SUREVEND
6	1672038	DEFLECTOR-INNER-RH-FLT" T"BLK
7	7972020	LOCK ASSEMBLY-VEND DOOR (FOR FOOD MODULE EQUIPPED MACHINES ONLY)

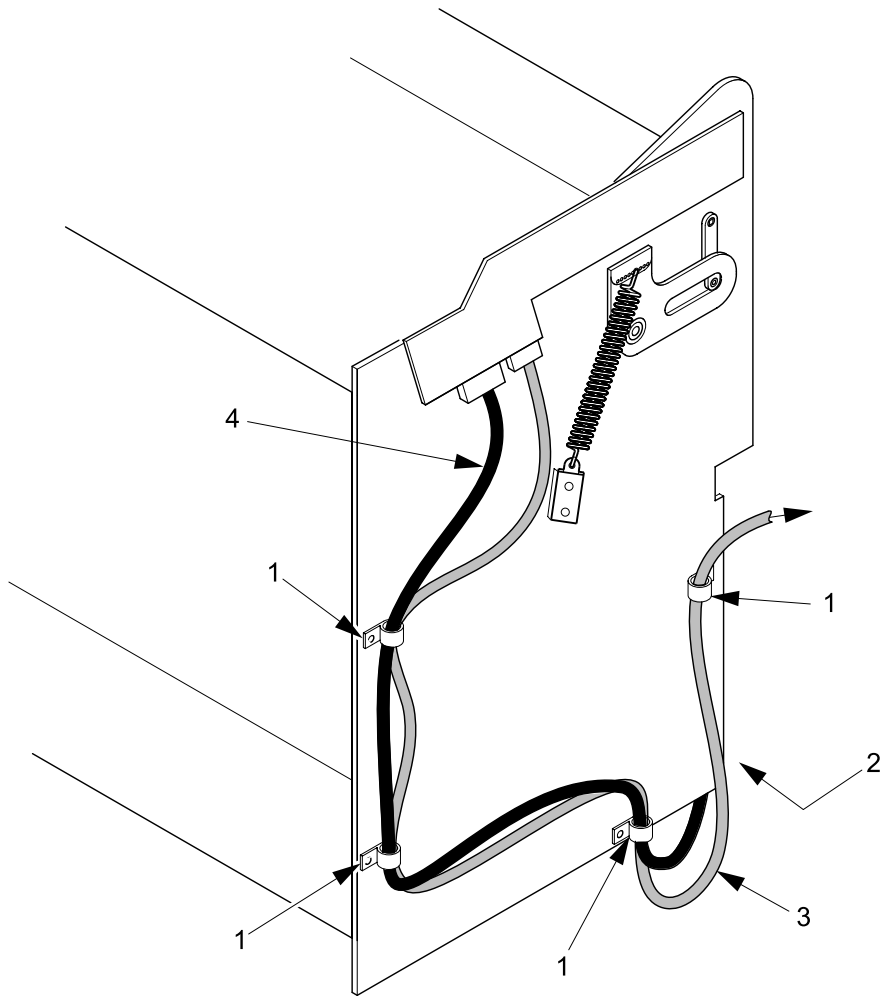


MACHINE WITH COFFEE MODULE

Figure 4. SureVend Receiver - Coffee Module Equipped Machines

**TABLE 4. SUREVEND RECEIVER - COFFEE MODULE EQUIPPED MACHINES**

<b>INDEX</b>	<b>PART NUMBER</b>	<b>DESCRIPTION</b>
1	7852001	DEFLECTOR-RT.-PLASTIC-SUREVEND
2	7852000	COVER-PCB-R.H.-SUREVEND
3	5262216	1632104 #6-32X1/4 PPHD M SCR
4	1672051	PAPER BACKING-RT PCB-SURE VEND
5	1676000	PCB ASSY-PRODUCT DET.-RECEIVER
6	1672032	SENSOR BRKT ASSY-RT-SUREVEND



167p0056

HINGE SIDE OF DELIVERY PAN  
VIEWED FROM THE INTERIOR  
OF DOOR

Figure 5. Wiring - Hinge Side of Delivery Pan

**TABLE 5. WIRING - HINGE SIDE OF DELIVERY PAN**

<b>INDEX</b>	<b>PART NUMBER</b>	<b>DESCRIPTION</b>
1	4732024	RETAINER-HARNESS
2	4042121	WIRE TIE-#PLT1M-M20
3	1679012	HARNESS-MAIN CONTROL TO SENSOR
4	1679013	HARNESS-EMITTER TO DETECTOR

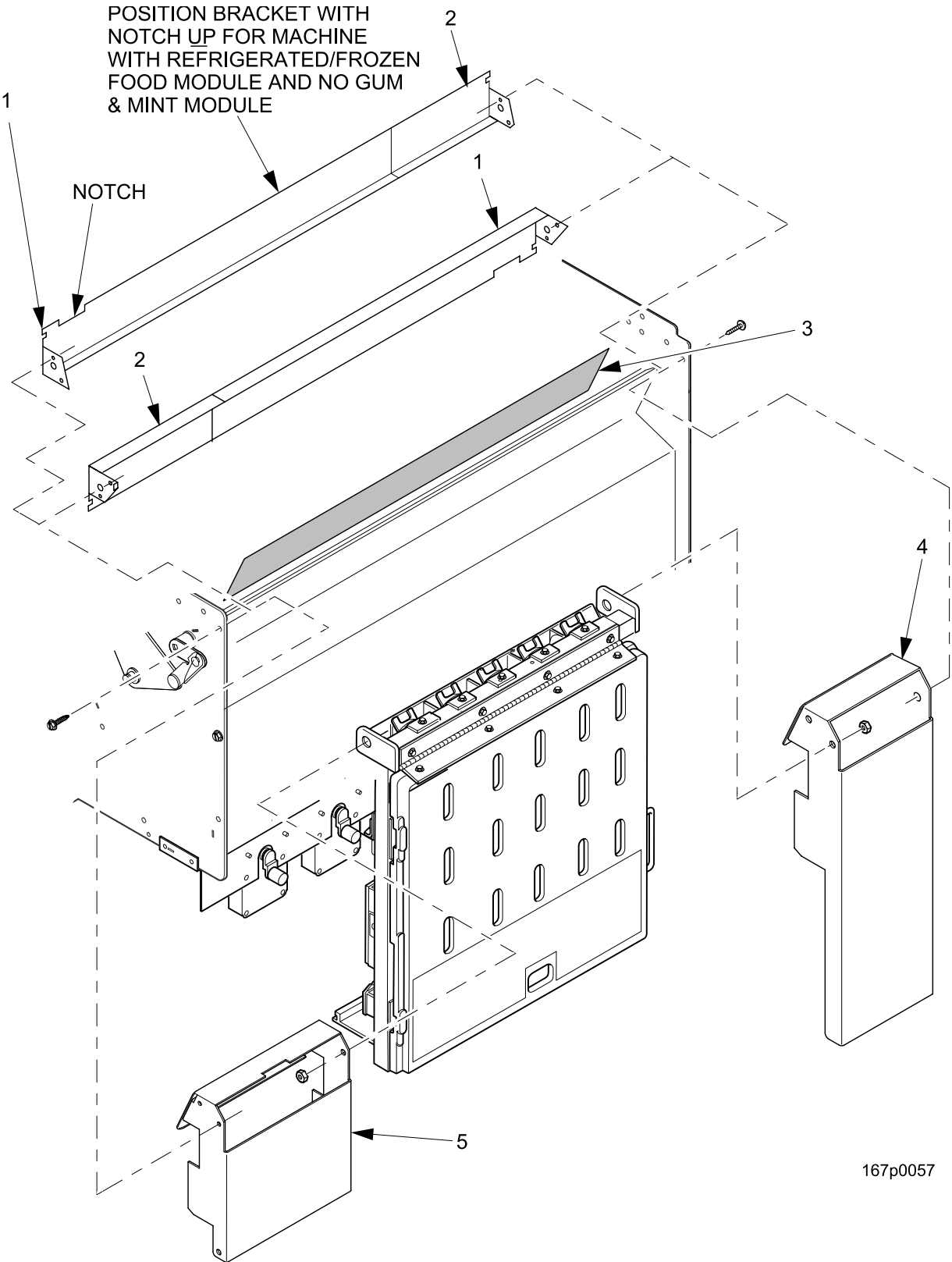
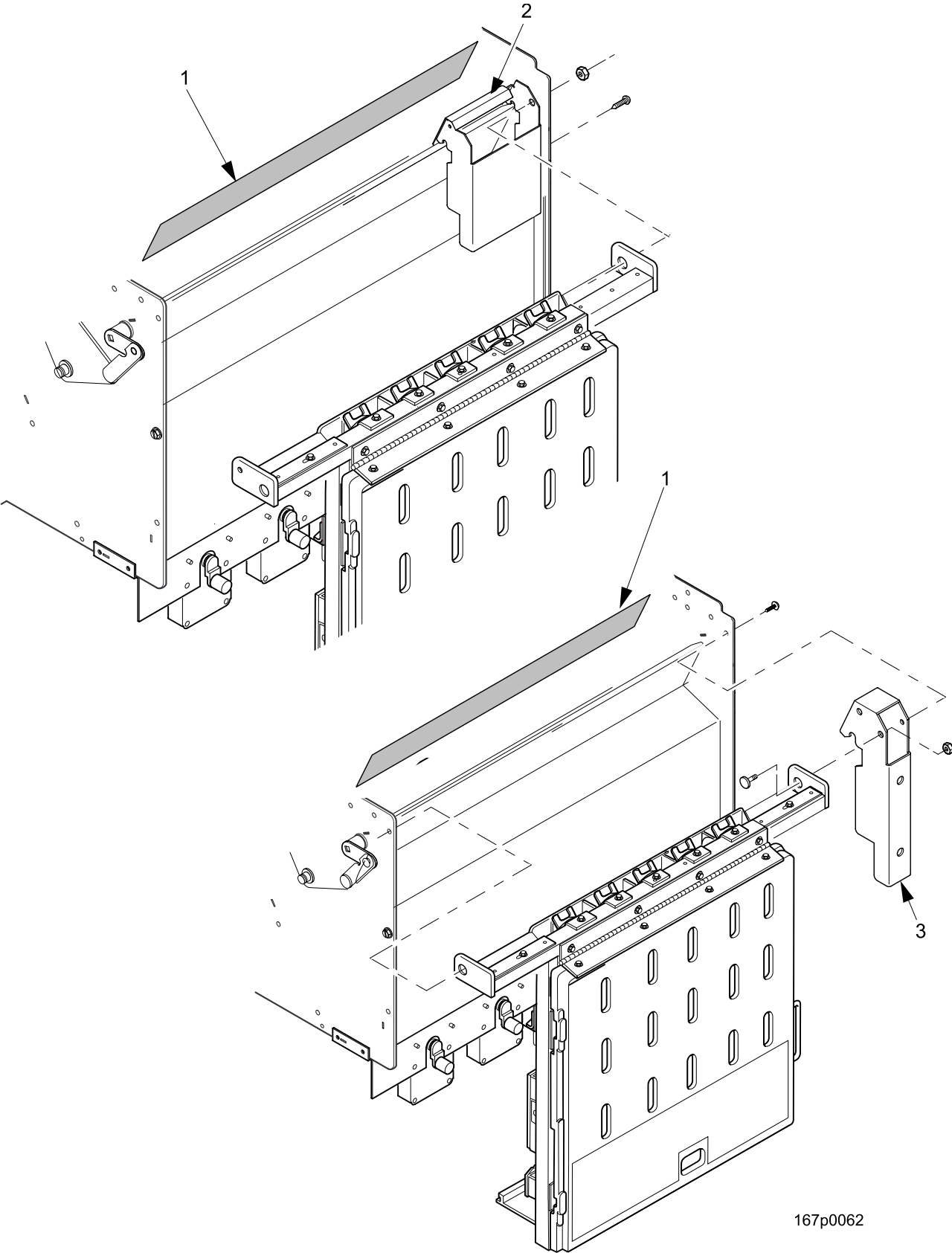


Figure 6. Deflectors and Decal - Part 1

**TABLE 6. DEFLECTORS AND DECAL - PART 1**

<b>INDEX</b>	<b>PART NUMBER</b>	<b>DESCRIPTION</b>
1	1672055	FILLER-RT-DELIVERY PAN
2	1672054	FILLER ASSEMBLY - LT. DEL. PAN
3	1672052	LABEL-GUM & MINT-MATTE
4	7972006	PROD.DEFLECTOR ASSY-RH
5	7972004	PROD.DEFLECTOR ASSY-LH



167p0062

Figure 7. Deflectors and Decal - Part 2



**TABLE 7. DEFLECTORS AND DECAL - PART 2**

<b>INDEX</b>	<b>PART NUMBER</b>	<b>DESCRIPTION</b>
1	1672052	LABEL-GUM & MINT-MATTE
2	1672056	PROD.DEFLECT.ASSY.-R.H-SUREV. (MODEL 167)
3	1682054	PROD.DEFLECT.ASSY-RH-SUREVEND (MODEL 168)

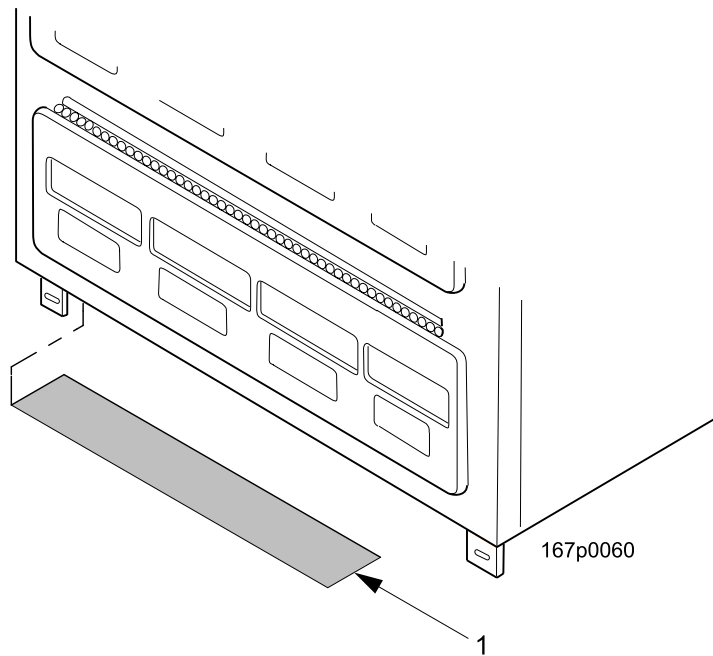
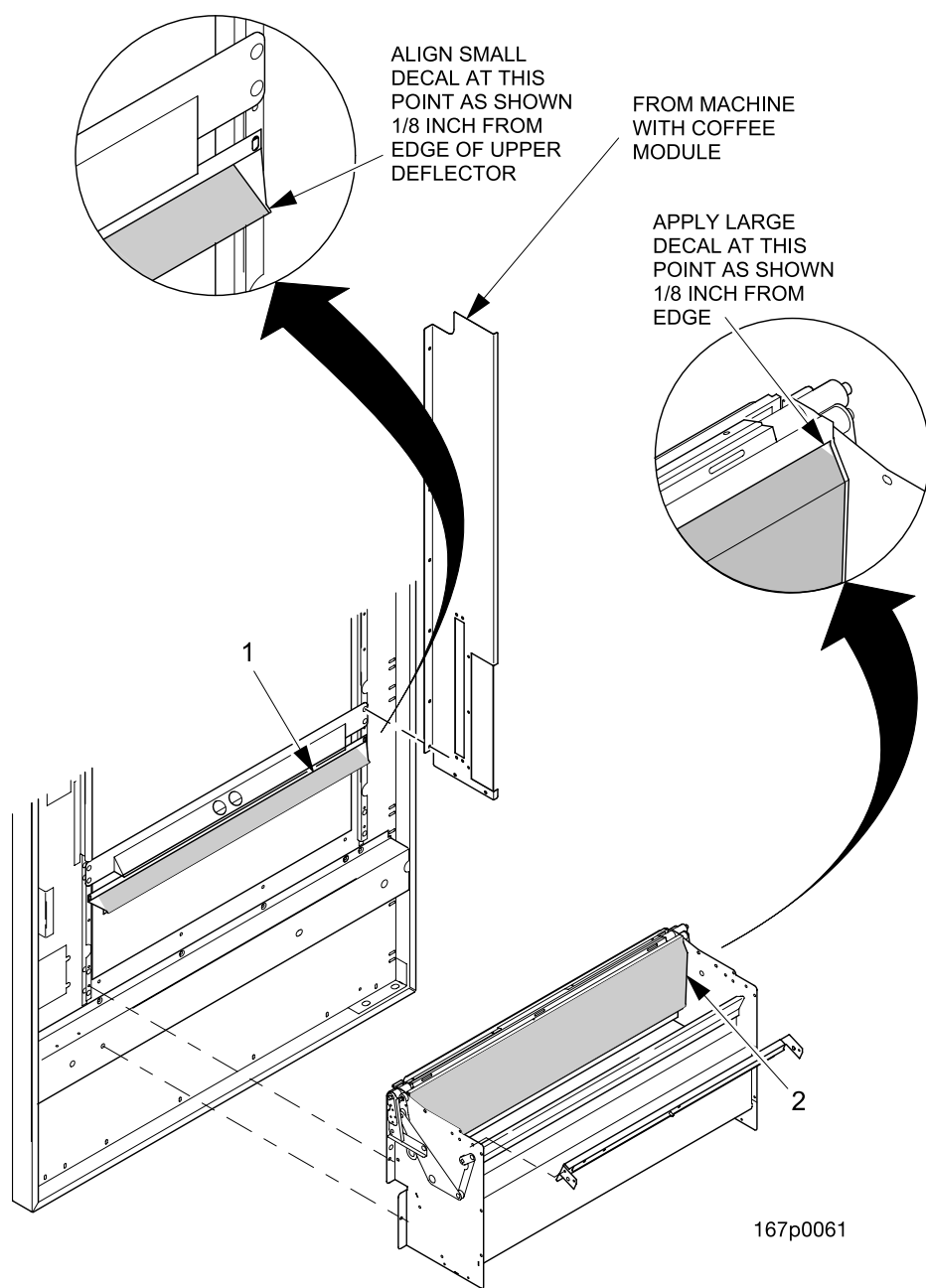


Figure 8. Decal - 8-Select Can Module

TABLE 8. DECAL - 8-SELECT CAN MODULE

INDEX	PART NUMBER	DESCRIPTION
1	7841017	OVERLAY-NON REFL-8 SEL CAN



DELIVERY PAN SHOWN REMOVED FOR CLARITY ONLY

Figure 9. Decals - Delivery Pan

TABLE 9. DECALS - DELIVERY PAN

INDEX	PART NUMBER	DESCRIPTION
1	7971014	OVERLAY-NON REFL-UPR.DEFLECT.
2	7971015	OVERLAY-NON REFL-PILFER DOOR

---

# Part Number Index

---

1452139 .....	3	1672055 .....	11	5262216 .....	5, 7
1672029 .....	3	1672056 .....	13	7841017 .....	14
1672032 .....	5, 7	1676000 .....	5, 7	7852000 .....	7
1672038 .....	5	1676011 .....	3	7852001 .....	7
1672039 .....	3	1679012 .....	9	7971014 .....	15
1672043 .....	3	1679013 .....	9	7971015 .....	15
1672044 .....	5	1681058 .....	1	7972004 .....	11
1672050 .....	3	1682054 .....	13	7972006 .....	11
1672051 .....	5, 7	2342044 .....	1	7972020 .....	5
1672052 .....	11, 13	4042121 .....	9		
1672054 .....	11	4732024 .....	9		



