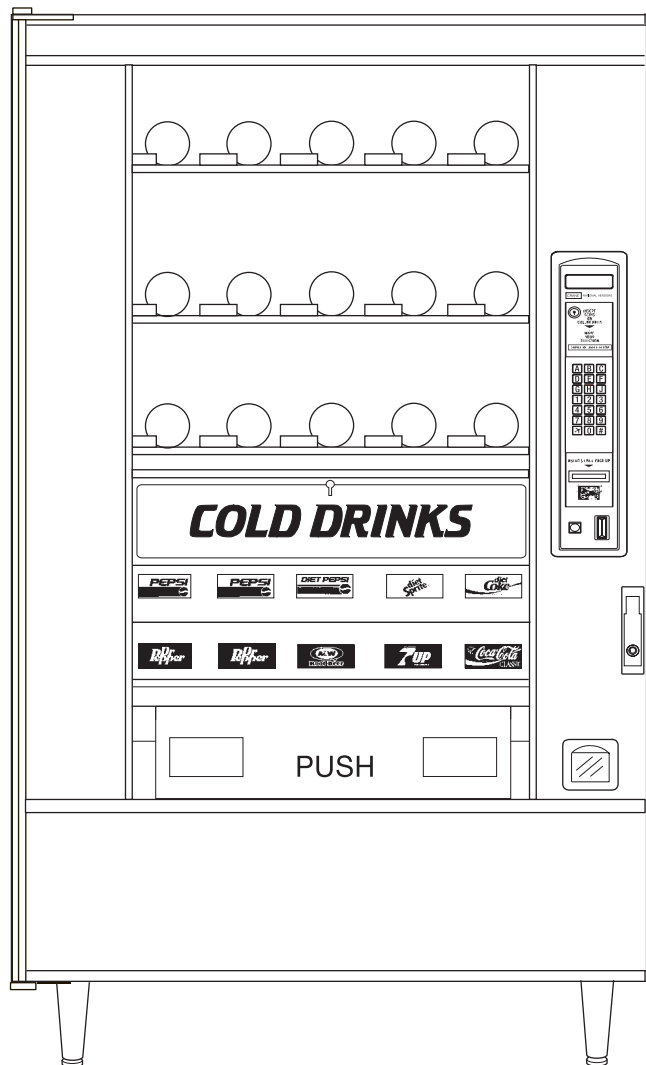


Models 797, 798

Expanded Snack Center



PARTS MANUAL

12955 Enterprise Way
Bridgeton, Missouri 63044-1200
(314) 298-3500

7970000

Copyright 4-99

LIST OF FIGURES

Figure Page

1.	797/798 Merchandiser	1
2.	Trim - Millennia Style (Part 1 of 3)	2
3.	Trim - Millennia Style (Part 2 of 3)	4
4.	Trim - Millennia Style (Part 3 of 3)	6
5.	797 Trim Panels	8
6.	797 Standard Trim	12
23.	Millennia Door Assembly	22
24.	Standard Door Assembly	24
25.	Upper Door Light Assembly - 115 V	26
26.	Upper Door Light Assembly - 230 V	28
27.	Glass Retainer With Side Light - Food Option	30
28.	Fluorescent Light Side Assembly With Cover	32
29.	Glass Retainer - Can Option	34
30.	Lower Glass Support Panel Assembly	36
31.	Door Glass and Glass Retaining Components	37
32.	Upper Door Light Mounting	38
33.	Lower Glass Support Panel	39
34.	Coin Receptacle Assemblies	40
35.	Millennia Door Lock and Handle Assembly	42
36.	Door Lock and Handle Assembly	44
37.	Door Lock Guard Accessory	46
38.	Delivery Pan Assembly (Part 1 of 3)	48
39.	Delivery Pan Assembly (Part 2 of 3) - Food Option Only	50
40.	Delivery Pan Assembly (Part 3 of 3) - Food and Can Options	52
41.	Delivery Pan Solenoid Lock Assembly - Food Option Only	54
42.	Gum and Mint Options (Can Modules Only) (Part 1 of 2)	56
43.	Gum and Mint Options (Can Modules Only) (Part 2 of 2)	58
44.	Common Cabinet (Part 1 of 2)	62
45.	Common Cabinet (Part 2 of 2)	64
46.	Base Plate Assembly	66
48.	Leg, Leveler, and Leg and Hinge Assemblies	68
49.	Power Panel Assembly - 115 Volt	70
50.	Power Panel Assembly - 230 Volt (France, Germany, Sweden)	72
51.	Power Panel Assembly - 230 Volt (U.K., China)	74
52.	Power Panel Assembly - 230 Volt (N.Z./Arg./Brz./L.A. 230/S.A. 230)	76
53.	Power Panel Assembly - Arg./Brz./L.A. 230 (Old Style)	78
54.	Power Panel Assembly - Aus./N./Z. (Old Style)	80
55.	Power Panel Assembly - 100 Volt - 50/60 Hz. (Japan)	82
56.	Power Panel Assembly (Mexico)	84
57.	Monetary Panel Assembly (Part 1 of 3)	86
58.	Monetary Panel Assembly (Part 2 of 3)	88
59.	Monetary Panel Assembly (Part 3 of 3)	90
60.	Monetary Inserts - Upper Position	92
61.	Monetary Inserts - Lower Position	93
62.	Card Reader and Bill Validator Combinations	94
63.	Snack Tray Assembly (Part 1 of 2)	98
64.	Snack Tray Assembly (Part 2 of 2)	100
65.	Candy Tray Assembly (Part 1 of 2)	102
66.	Candy Tray Assembly (Part 2 of 2)	104
67.	Gum and Mint Tray Assembly (Part 1 of 2)	106
68.	Gum and Mint Tray Assembly (Part 2 of 2)	108

Figure Page

69.	10-Select Can Option	110
70.	Can Module Assembly	112
71.	Frame Assembly	114
72.	Miscellaneous Internal Parts	116
73.	Ejector and Motor Assembly	118
74.	Cabinet Parts - Expanded Food	120
75.	Door Assembly - Food Module	122
76.	Cold Food Module Assembly	124
77.	Motor to Drive Arm Assemblies Connection Detail	126
78.	Food Module Door Frame Assembly	128
79.	Left Hand Drive Arm Assembly	130
80.	Right Hand Drive Arm Assembly	132
81.	Drive Arm Assembly Attachment Details	134
82.	Motor Mounting Bracket Assembly	136
83.	Food Module Cabinet Interior - Right Side (Part 1 of 2)	138
84.	Food Module Cabinet Interior - Right Side (Part 2 of 2)	140
85.	Cabinet Interior - Left Side View	142
86.	Food Module Cabinet Interior - Section	144
87.	Food Module Tray Frame Assembly	146
88.	Spiral Tray Assembly - 5, 6, and 9 Motor	148
89.	Belt Module Tray Assembly	150
90.	Belt and Support Assembly - Single	152
91.	Belt and Support Assembly - Dual	154
92.	Wiring Harnesses	157

LIST OF TABLES

TABLE		PAGE
2.	TRIM - MILLENNIA STYLE (PART 1 OF 3)	3
3.	TRIM - MILLENNIA STYLE (PART 2 OF 3)	5
4.	TRIM - MILLENNIA STYLE (PART 3 OF 3)	7
5.	797 TRIM PANELS	9
5 A.	TOP TRIM PANEL	9
5 B.	RIGHT SIDE TRIM PANEL	9
5 C.	BOTTOM TRIM PANEL	10
5 D.	LEFT SIDE TRIM PANEL	11
6.	797 STANDARD TRIM	13
7.	BAG ASSEMBLY B4970000 - CAN - 15 (U.S.)	14
8.	BAG ASSEMBLY B4970006 - FOOD - 15 (U.S.)	14
9.	BAG ASSEMBLY B4980001 - CAN - 1 (U.K.)	15
10.	BAG ASSEMBLY B4980007 - FOOD - 1 (U.K.)	15
11.	BAG ASSEMBLY B4980000 - CAN - 6-7-8 (FRANCE/GERMANY/SWEDEN)	16
12.	BAG ASSEMBLY B4980004 - FOOD - 6-7 (FRANCE/GERMANY)	16
13.	BAG ASSEMBLY B4980003 - CAN - 14 (ARGENTINA)	17
14.	BAG ASSEMBLY B4980005 - FOOD - 14 (ARGENTINA)	17
15.	BAG ASSEMBLY B4970003 - CAN - 5 (MEXICO)	18
16.	BAG ASSEMBLY B4970007 - FOOD - 5 (MEXICO)	18
17.	BAG ASSEMBLY B4980002 - CAN - 4 (BRAZIL)	19
18.	BAG ASSEMBLY B4980006 - FOOD - 4 (BRAZIL)	19
19.	BAG ASSEMBLY B4970001 - CAN - 3-4 (LATIN AMERICA/BRAZIL)	20
20.	BAG ASSEMBLY B4970005 - CAN - 12 (NEW ZEALAND)	20
21.	BAG ASSEMBLY B4640011 - 27 (SOUTH AFRICA)	21
22.	BAG ASSEMBLY B4970008 - CAN - 31 (CHINA)	21
23.	MILLENNIA DOOR ASSEMBLY	23
24.	STANDARD DOOR ASSEMBLY	25
25.	UPPER DOOR LIGHT ASSEMBLY - 115 V.	27
26.	UPPER DOOR LIGHT ASSEMBLY - 230 V	29
27.	GLASS RETAINER WITH SIDE LIGHT - FOOD OPTION	31
28.	FLUORESCENT LIGHT SIDE ASSEMBLY WITH COVER	33
29.	GLASS RETAINER - CAN OPTION	35
30.	LOWER GLASS SUPPORT PANEL ASSEMBLY	36
31.	DOOR GLASS AND GLASS RETAINING COMPONENTS	37
32.	UPPER DOOR LIGHT MOUNTING	38
33.	LOWER GLASS SUPPORT PANEL	39
34.	COIN RECEPTACLE ASSEMBLIES	41
35.	MILLENNIA DOOR LOCK AND HANDLE ASSEMBLY	43
36.	DOOR LOCK AND HANDLE ASSEMBLY	45
37.	DOOR LOCK GUARD ACCESSORY	47
38.	DELIVERY PAN ASSEMBLY (PART 1 OF 3)	49
39.	DELIVERY PAN ASSEMBLY (PART 2 OF 3) - FOOD OPTION ONLY	51
40.	DELIVERY PAN ASSEMBLY (PART 3 OF 3) - FOOD AND CAN OPTIONS	53
41.	DELIVERY PAN SOLENOID LOCK ASSEMBLY - FOOD OPTION ONLY	55
42.	GUM AND MINT OPTIONS (CAN MODULES ONLY) (PART 1 OF 2)	57
43.	GUM AND MINT OPTIONS (CAN MODULES ONLY) (PART 2 OF 2)	59
44.	COMMON CABINET (PART 1 OF 2)	63
45.	COMMON CABINET (PART 2 OF 2)	65
46.	BASE PLATE ASSEMBLY	67
47.	CABINET INSULATION (MODEL 798 ONLY)	67
48.	LEG, LEVELER, AND LEG AND HINGE ASSEMBLIES	69

TABLE	PAGE
49. POWER PANEL ASSEMBLY - 115 VOLT	71
50. POWER PANEL ASSEMBLY - 230 VOLT (FRANCE, GERMANY, SWEDEN)	73
51. POWER PANEL ASSEMBLY - 230 VOLT (U.K., CHINA)	75
52. POWER PANEL ASSEMBLY - 230 VOLT (N.Z./ARG./BRZ./L.A. 230/S.A. 230)	77
53. POWER PANEL ASSEMBLY - ARG./BRZ./L.A. 230 (OLD STYLE)	79
54. POWER PANEL ASSEMBLY - AUS./N./Z. (OLD STYLE)	81
55. POWER PANEL ASSEMBLY - 100 VOLT - 50/60 HZ. (JAPAN)	83
56. POWER PANEL ASSEMBLY (MEXICO)	85
57. MONETARY PANEL ASSEMBLY (PART 1 OF 3)	87
58. MONETARY PANEL ASSEMBLY (PART 2 OF 3)	89
59. MONETARY PANEL ASSEMBLY (PART 3 OF 3)	91
62. CARD READER AND BILL VALIDATOR COMBINATIONS	95
62 A. MONETARY LOCATION OPTIONS	95
62 B. COIN MECHANISM OPTIONS	96
62 C. BILL VALIDATOR OPTIONS	97
62 D. CARD READER OPTIONS	97
63. SNACK TRAY ASSEMBLY (PART 1 OF 2)	99
64. SNACK TRAY ASSEMBLY (PART 2 OF 2)	101
65. CANDY TRAY ASSEMBLY (PART 1 OF 2)	103
66. CANDY TRAY ASSEMBLY (PART 2 OF 2)	105
67. GUM AND MINT TRAY ASSEMBLY (PART 1 OF 2)	107
68. GUM AND MINT TRAY ASSEMBLY (PART 2 OF 2)	109
68 A. SPIRAL OPTIONS	109
69. 10-SELECT CAN OPTION	111
70. CAN MODULE ASSEMBLY	113
71. FRAME ASSEMBLY	115
72. MISCELLANEOUS INTERNAL PARTS	117
73. EJECTOR AND MOTOR ASSEMBLY	119
74. CABINET PARTS - EXPANDED FOOD	121
75. DOOR ASSEMBLY - FOOD MODULE	123
76. COLD FOOD MODULE ASSEMBLY	125
77. MOTOR TO DRIVE ARM ASSEMBLIES CONNECTION DETAIL	127
78. FOOD MODULE DOOR FRAME ASSEMBLY	129
79. LEFT HAND DRIVE ARM ASSEMBLY	131
80. RIGHT HAND DRIVE ARM ASSEMBLY	133
81. DRIVE ARM ASSEMBLY ATTACHMENT DETAILS	135
82. MOTOR MOUNTING BRACKET ASSEMBLY	137
83. FOOD MODULE CABINET INTERIOR - RIGHT SIDE (PART 1 OF 2)	139
84. FOOD MODULE CABINET INTERIOR - RIGHT SIDE (PART 2 OF 2)	141
85. CABINET INTERIOR - LEFT SIDE VIEW	143
86. FOOD MODULE CABINET INTERIOR - SECTION	145
87. FOOD MODULE TRAY FRAME ASSEMBLY	147
88. SPIRAL TRAY ASSEMBLY - 5, 6, AND 9 MOTOR	149
88 A. SPIRAL OPTIONS	149
89. BELT MODULE TRAY ASSEMBLY	151
90. BELT AND SUPPORT ASSEMBLY - SINGLE	153
91. BELT AND SUPPORT ASSEMBLY - DUAL	155
92. REFRIGERATION UNIT COMPONENTS	156

Expanded Refreshment Center Parts Manual



Figure 1. 797/798 Merchandiser

157p0289

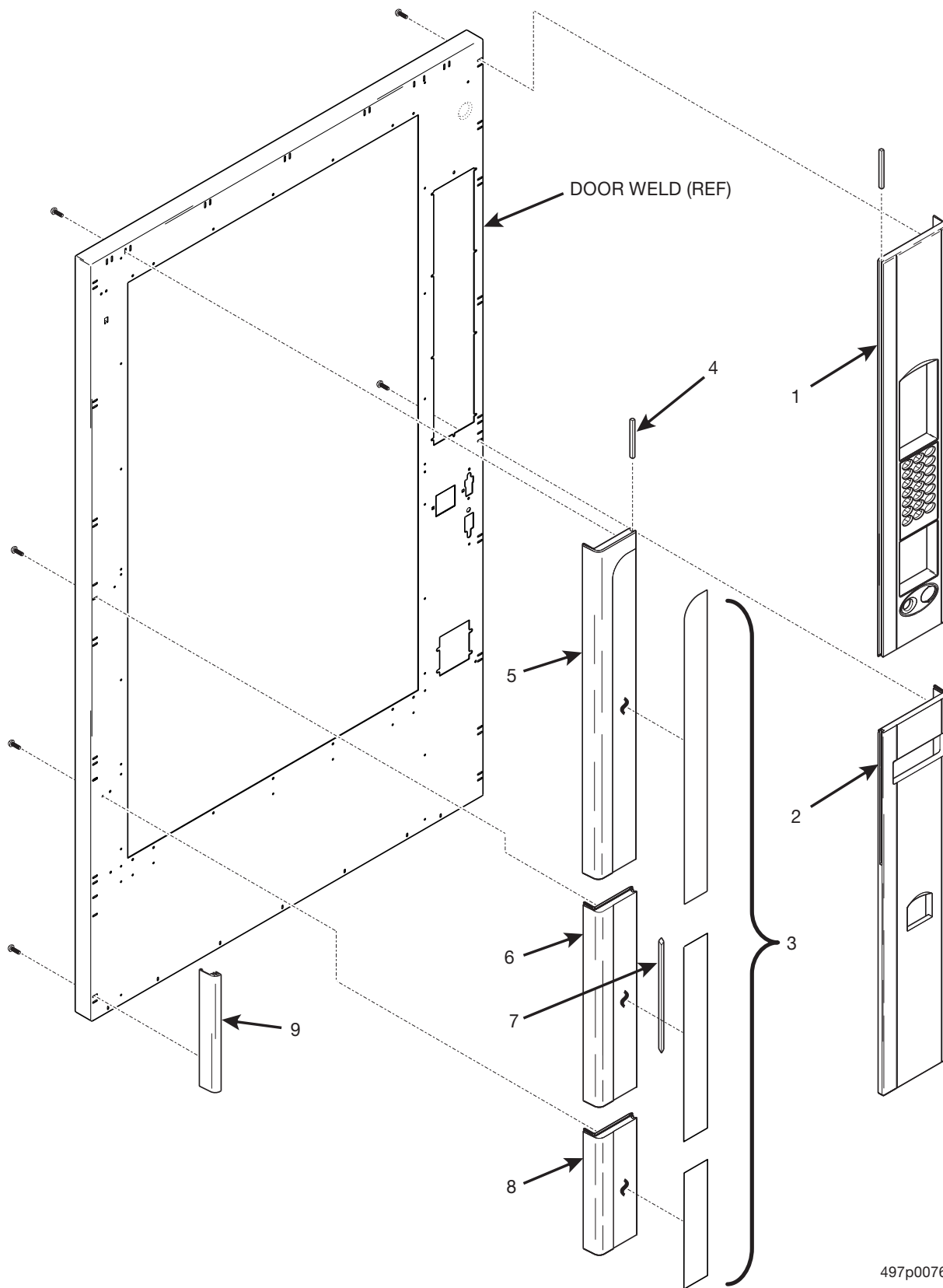
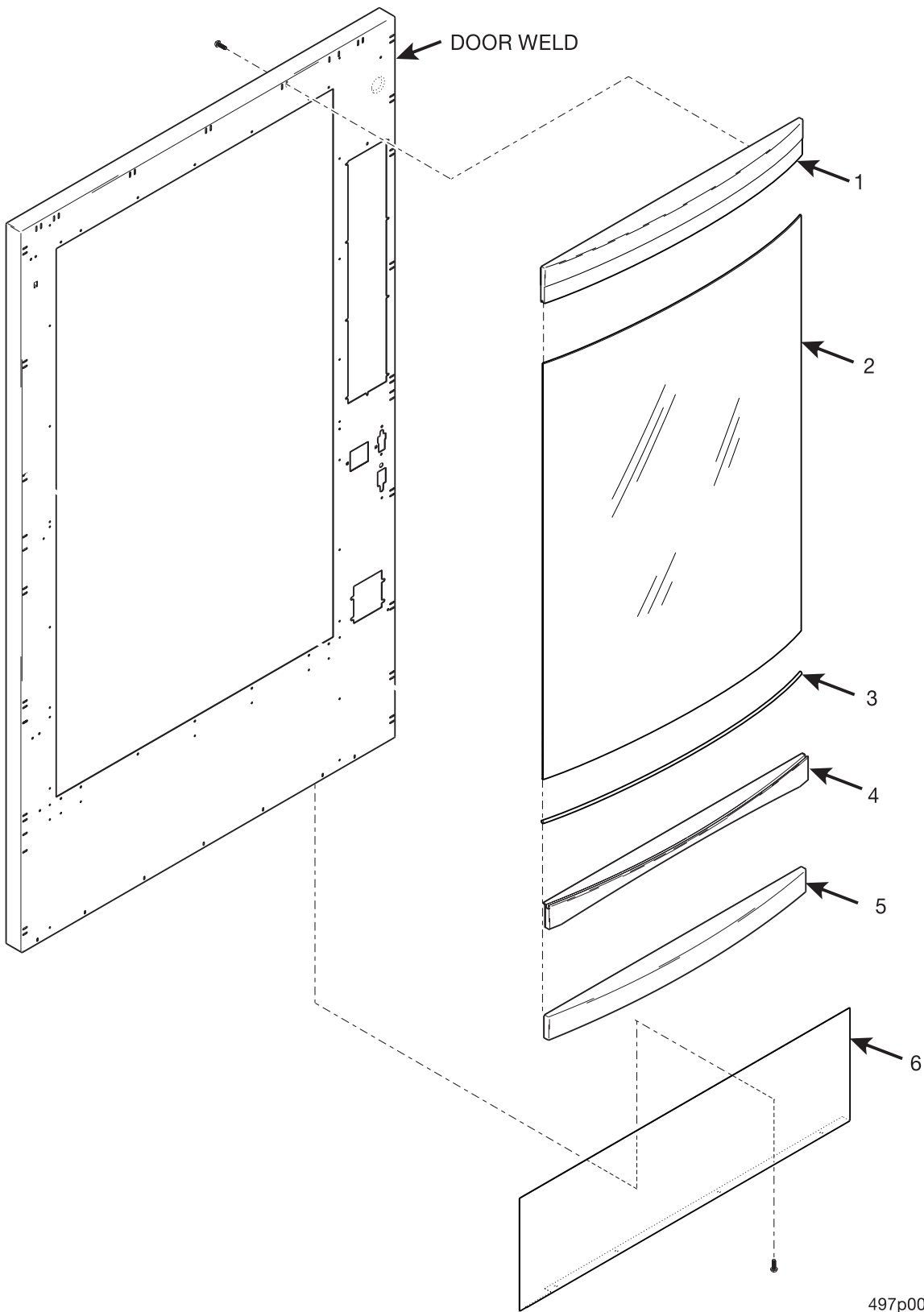


Figure 2. Trim - Millennium Style (Part 1 of 3)

Expanded Refreshment Center Parts Manual

TABLE 1. TRIM - MILLENNIA STYLE (PART 1 OF 3)

INDEX	PART NUMBER	DESCRIPTION	QTY.
1	1572213	RIGHT HAND TRIM - UPPER - "A-21"	1
2	1572214	RIGHT HAND TRIM - LOWER - "B"	1
3	1572258	DECAL - DOOR TRIM VERTICAL ASSEMBLY	1
4	1572259	FILLER - GROOVE - SHORT	2
5	1572215	LEFT HAND TRIM - UPPER - "C"	1
6	1572216	LEFT HAND TRIM - MIDDLE - "D"	1
7	1572260	FILLER - GROOVE - LONG	1
8	1572217	LEFT HAND TRIM - BOTTOM - "E"	1
9	1572267	TRIM - LOWER - DOOR SIDE - GRAY	1
	1572324	TRIM - LOWER - DOOR SIDE - BLACK	



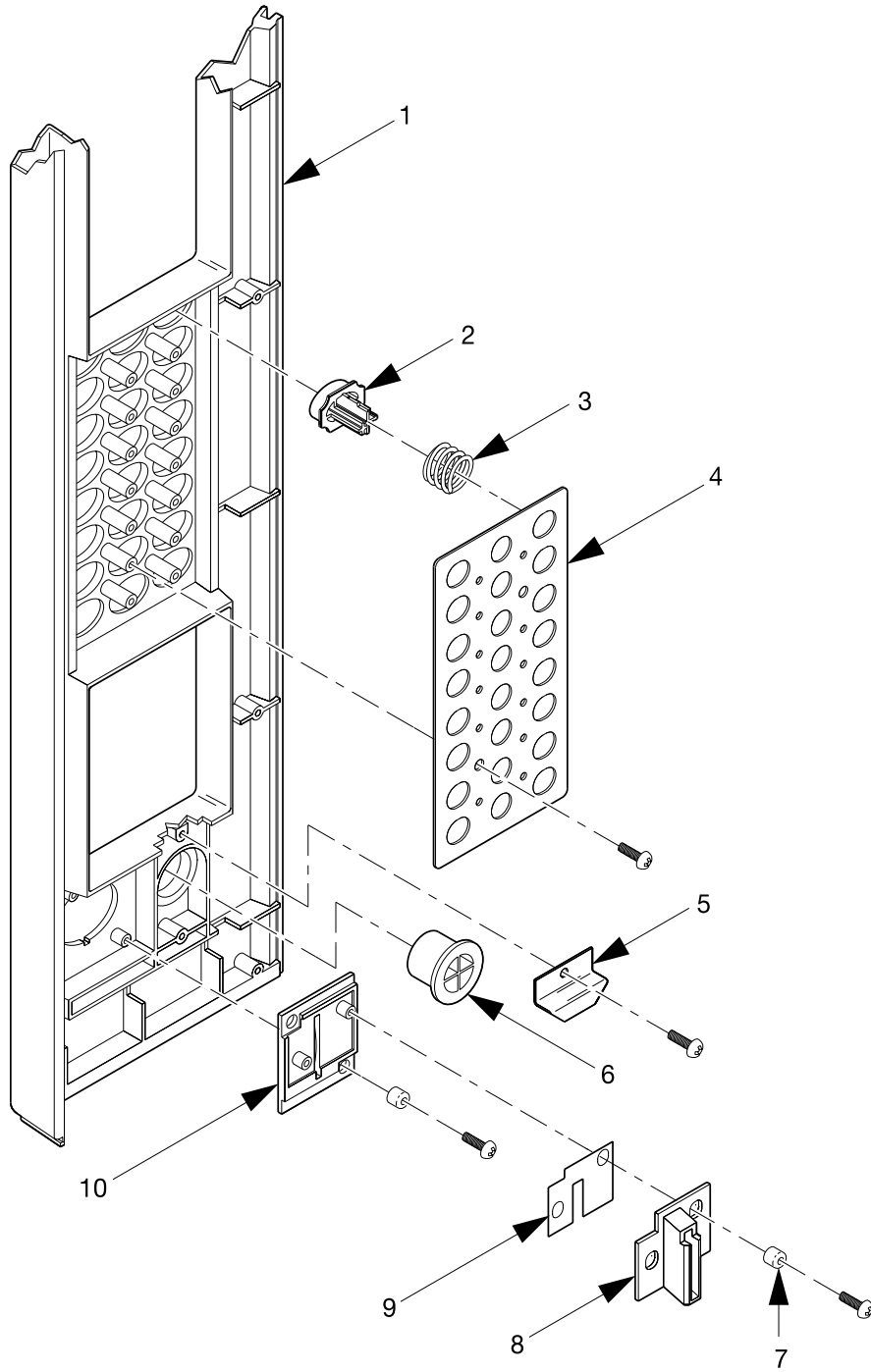
497p0077

Figure 3. Trim - Millennium Style (Part 2 of 3)

Expanded Refreshment Center Parts Manual

TABLE 2. TRIM - MILLENNIA STYLE (PART 2 OF 3)

INDEX	PART NUMBER	DESCRIPTION	QTY.
1	4972120	P.O.P. PANEL AND DECAL ASSEMBLY	1
2	4972101	GLASS - CURVED FRONT - 40 INCH - RC4	1
3	4972113	GLASKET - GLASS	1
4	4972201	HORIZONTAL TRIM - UPPER - 40 INCH - "J2"	1
5	4972202	HORIZONTAL TRIM - LOWER - 40 INCH - "K2"	1
6	1572267	TRIM - LOWER DOOR SIDE - GRAY	1
	1572324	TRIM - LOWER DOOR SIDE - BLACK	



363p023C

Figure 4. Trim - Millennium Style (Part 3 of 3)

Expanded Refreshment Center Parts Manual

TABLE 3. TRIM - MILLENNIA STYLE (PART 3 OF 3)

INDEX	PART NUMBER	DESCRIPTION	QTY.
1	1572213	R.H. TRIM - UPPER - "A21"	1
2	1572212	ARRAY - PUSH BUTTON SELECTION	1
3	1572224	SPRING - PUSH BUTTON	2
4	1572223	PLATE - STOP BUTTONS	1
5	1572292	RETAINER - RETURN BUTTON	1
6	1572210	COIN RETURN BUTTON - "A-2"	1
7	2302053	SPACER CUP	4
8	1572323	EXTENSION - COIN INSERT	1
9	1472222	COIN BLOCK	1
10	1572209	COIN INSERT - "A-1"	1

Expanded Refreshment Center Parts Manual

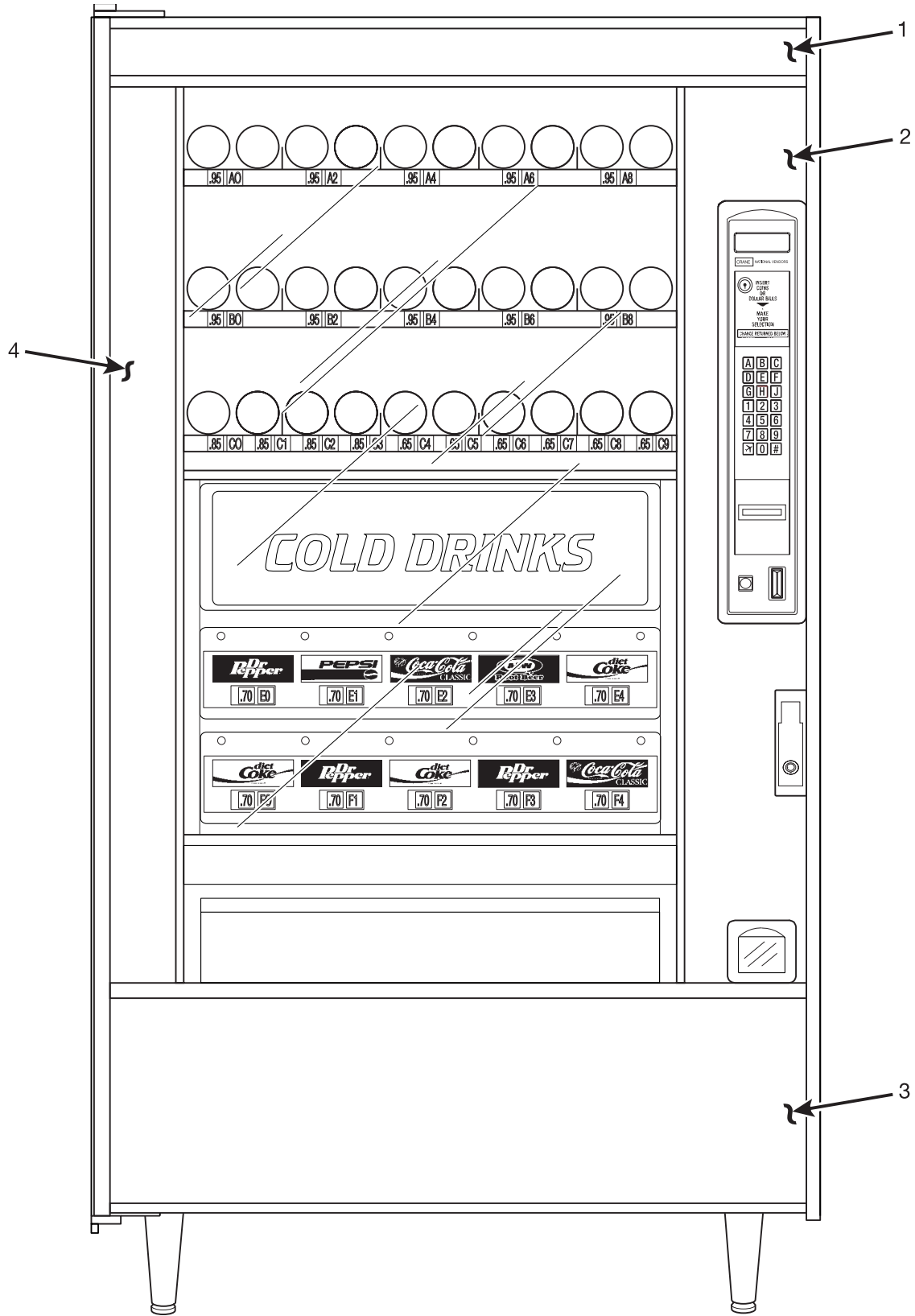


Figure 5. 797 Trim Panels

497p0025

Expanded Refreshment Center Parts Manual

TABLE 4. 797 TRIM PANELS			
INDEX	PART NUMBER	DESCRIPTION	QTY.
1	-	TOP TRIM PANEL (SEE FIGURE 4 A FOR DETAILS)	1
2	-	RIGHT SIDE TRIM PANEL (SEE FIGURE 4 B FOR DETAILS)	1
3	-	BOTTOM TRIM PANEL (SEE FIGURE 4 C FOR DETAILS)	1
4	-	LEFT SIDE TRIM PANEL (SEE FIGURE 4 D FOR DETAILS)	1
TABLE 4 A. TOP TRIM PANEL			
PART NUMBER	DESCRIPTION		
1472019	PRESIDENTIAL WALNUT		
1472101	BLACK HAIRCELL		
1472121	ENAMELED		
1472150	VINYL SPECIAL		
1472160	STERLING		
1472168	TEAK		
1472176	FORMICA SPECIAL		
1472283	WHITE HAIRCELL		
1472289	SLATE		
1472294	BLACK PICA		
1472308	BISON BLACK		
1472321	NU WHITE		
TABLE 4 B. RIGHT SIDE TRIM PANEL			
PART NUMBER	DESCRIPTION		
1572101	STERLING WITH COIN		
1572106	BLACK PICA		
1572115	COMP OAK		
1572118	DOVE GREY		
1572121	STERLING WITHOUT COIN		
1572123	ENAMELED		
1572130	NU WHITE		
1572139	MOROCCO GREY		
1572141	PEWTER		
1572144	PLATINUM GREY		
1572149	PRESIDENTIAL WALNUT		
1572160	VINYL SPECIAL		
1572163	WHITE HAIRCELL		
1572195	PORT AU PRINCE		

Expanded Refreshment Center Parts Manual

TABLE 4 C. BOTTOM TRIM PANEL

PART NUMBER	DESCRIPTION
1472213	COMP OAK
1472216	PLATINUM GREY
1472232	PRESIDENTIAL WALNUT
1472234	FORMICA SPECIAL
1472235	DOVE
1472237	ENAMELED
1472238	VINYL SPECIAL
1472239	STERLING
1472241	TEAK
1472242	SLATE
1472243	BLACK HAIRCELL
1472248	PEWTER
1472286	WHITE HAIRCELL
1472297	BLACK PICA
1472311	BISON BLACK
1472322	NU WHITE

Expanded Refreshment Center Parts Manual

TABLE 4 D. LEFT SIDE TRIM PANEL

PART NUMBER	DESCRIPTION
1572100	STERLING
1572105	BLACK PICA
1572114	COMP OAK
1572117	DOVE GREY
1572122	ENAMELED
1572129	NU WHITE
1572138	MOROCCO GREY
1572140	PEWTER
1572143	PLATINUM GREY
1572148	PRESIDENTIAL WALNUT
1572159	VINYL SPECIAL
1572162	WHITE HAIRCELL
1572194	PORT AU PRINCE

Expanded Refreshment Center Parts Manual

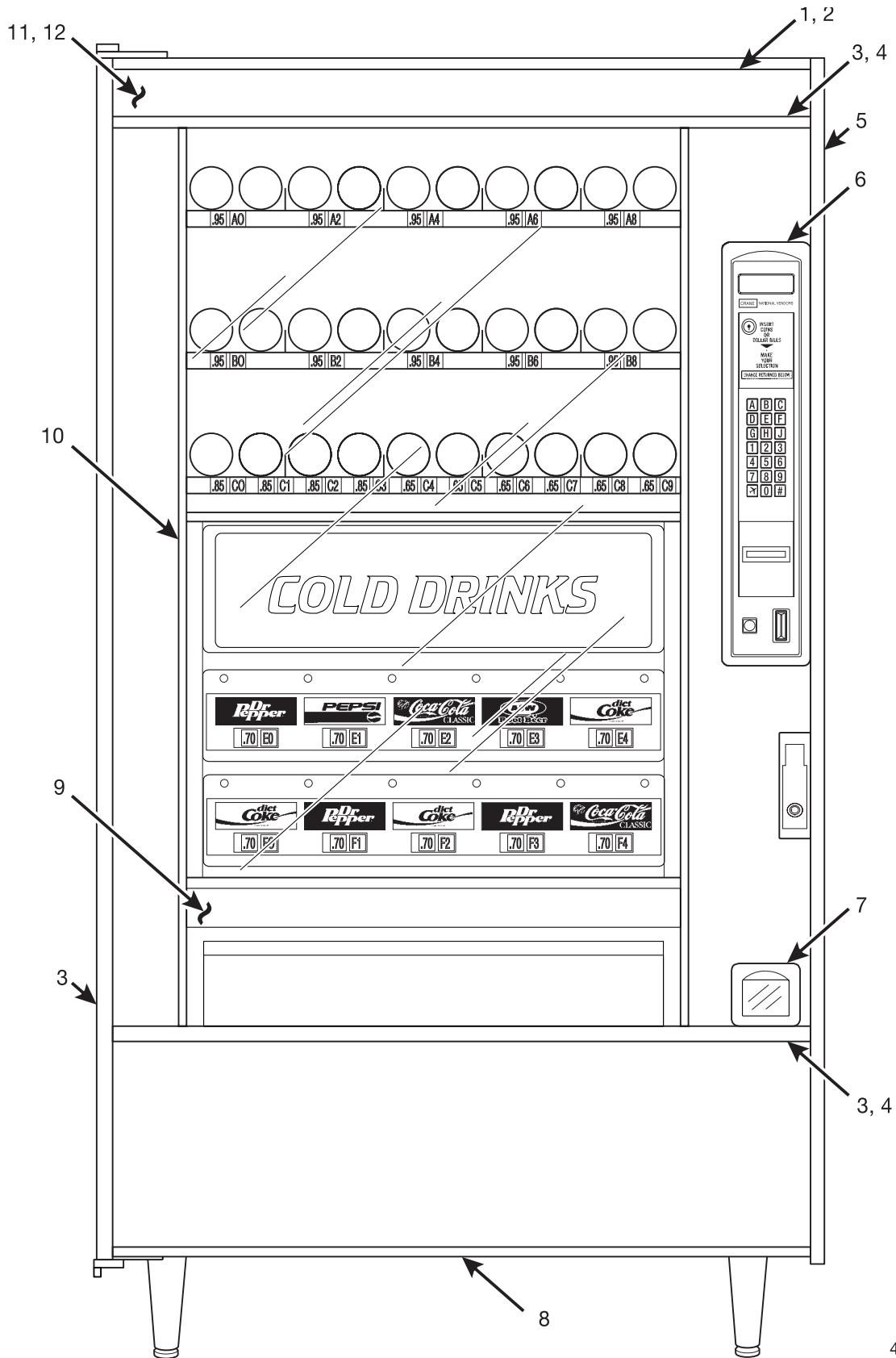


Figure 6. 797 Standard Trim

497p0026

Expanded Refreshment Center Parts Manual

TABLE 5. 797 STANDARD TRIM

INDEX	PART NUMBER	DESCRIPTION	QTY.
1	1472025	TRIM - DOOR - TOP (CLEAR) (ARA AND IMPERIAL CROWN STYLES)	1
	1472097	TRIM - DOOR - TOP (BLACK) (SIGNATURE STYLE)	
2	1472026	TRIM - INSERT (BLACK)	1
3	1472028	TRIM - DOOR - HORIZONTAL (CLEAR) (ARA AND IMPERIAL CROWN STYLE)	2
4	1472026	TRIM - INSERT (BLACK)	1
5	1302409	TRIM - DOOR SIDE (CLEAR) (ARA AND IMPERIAL CROWN STYLES)	2
	1452203	TRIM - DOOR - SIDE - BLACK - IBM (SIGNATURE STYLE)	
6	1575047	CASTING - MONETARY FRAME - BLACK	1
7	1522011	TRIM - COIN CUP - BLACK	1
8	1472245	EDGE PROTECTOR - BOTTOM	1
9	4972046	TRIM PANEL - GLASS - LOWER	1
10	1472190	TRIM - VERTICAL	2
11	4302281	INSERT - ARA - BLACK - 38.38 INCHES (ARA STYLE)	-
12	4852013	TRIM - TOP - ARA (CLEAR) (ARA STYLE)	1

Expanded Refreshment Center Parts Manual

TABLE 6. BAG ASSEMBLY B4970000 - CAN - 15 (U.S.)

PART NUMBER	DESCRIPTION	QTY.
1477015	ROLL - PRICE - DOLLARS	2
1477071	PACKAGE ASSEMBLY - PRODUCT PUSHER	
1477083	RETAINER - SPIRAL - WALL	10
1572412	KIT - WIRE BLOCK	1
1577047	LABEL - ITEM LETTERS - A0-A9	1
1577048	LABEL - ITEM LETTERS - B0-B9	1
1577049	LABEL - ITEM LETTERS - C0-C9	1
4747091	FLAVOR STRIPS - 10	1
4747097	PRODUCT ID LABEL - FLAVOR STRIP INST	1
4840040	DOCUMENTATION PACKAGE	1
4970031	WIRING DIAGRAM PACKAGE - 115V - CAN	1

TABLE 7. BAG ASSEMBLY B4970006 - FOOD - 15 (U.S.)

PART NUMBER	DESCRIPTION	QTY.
1477014	ROLL - PRICE - CENTS	10
1477015	ROLL - PRICE - DOLLARS	11
1477071	PACKAGE ASSEMBLY - PRODUCT PUSHER	
1477083	RETAINER - SPIRAL - WALL	10
1572412	KIT - WIRE BLOCK	1
1577047	LABEL - ITEM LETTERS - A0-A9	1
1577048	LABEL - ITEM LETTERS - B0-B9	1
1577049	LABEL - ITEM LETTERS - C0-C9	1
1577050	LABEL - ITEM LETTERS - D0-D9	1
1577051	LABEL - ITEM LETTERS - E0-E9	1
1577052	LABEL - ITEM LETTERS - F0-F9	1
4612001	DECAL - "CHILLED FOR FRESHNESS"	1
4840040	DOCUMENTATION PACKAGE	1
4970034	WIRING DIAGRAM PACKAGE - 115V - FOOD	1

Expanded Refreshment Center Parts Manual

TABLE 8. BAG ASSEMBLY B4980001 - CAN - 1 (U.K.)

PART NUMBER	DESCRIPTION	QTY.
1472273	PRICE ROLL - UK - 1L/10L,40P/95P	5
1472274	PRICE ROLL - UK - 1L/10L,8P/35P	32
1477014	ROLL - PRICE - CENTS	40
1477071	PACKAGE ASSEMBLY - PRODUCT PUSHER	-
1477083	RETAINER - SPIRAL - WALL	10
1572205	ROLL - PRICE - UK - 36P TO 62P +FR	10
1572206	ROLL - PRICE - UK RANGE:63P TO 9	5
1572412	KIT - WIRE BLOCK	1
1577061	LABEL - ITEM LETTERS - A0-A9 - U.K	1
1577062	LABEL - ITEM LETTERS - B0-B9 - U.K	1
1577063	LABEL - ITEM LETTERS - C0-C9 - U.K	1
1577064	LABEL - ITEM LETTERS - D0-D9 - U.K	1
1577065	LABEL - ITEM LETTERS - E0-E9 - U.K	1
1577066	LABEL - ITEM LETTERS - F0-F9 - U.K	1
1672027	INSERT - INSTR - LOWER - EUROCOIN	1
4612001	DECAL - "CHILLED FOR FRESHNESS"	1
4747091	FLAVOR STRIPS - 10	1
4747097	PRODUCT ID LABEL FLAVOR STRIP INST	1
4840040	DOCUMENTATION PACKAGE	1
4970032	WIRING DIAGRAM PACKAGE - 230V - EXEC - CAN	1

TABLE 9. BAG ASSEMBLY B4980007 - FOOD - 1 (U.K.)

PART NUMBER	DESCRIPTION	QTY.
1472273	PRICE ROLL - UK - 1L/10L,40P/95P	5
1472274	PRICE ROLL - UK - 1L/10L,8P/35P	32
1477071	PACKAGE ASSEMBLY - PRODUCT PUSHER	-
1477083	RETAINER - SPIRAL - WALL	10
1572205	ROLL - PRICE - UK - 36P TO 62P +FR	10
1572206	ROLL - PRICE - UK RANGE:63P TO 9	5
1572412	KIT - WIRE BLOCK	1
1577061	LABEL - ITEM LETTERS - A0-A9 - U.K	1
1577062	LABEL - ITEM LETTERS - B0-B9 - U.K	1
1577063	LABEL - ITEM LETTERS - C0-C9 - U.K	1
1577064	LABEL - ITEM LETTERS - D0-D9 - U.K	1
1577065	LABEL - ITEM LETTERS - E0-E9 - U.K	1
1577066	LABEL - ITEM LETTERS - F0-F9 - U.K	1
4612001	DECAL - "CHILLED FOR FRESHNESS"	1

Café Executive Parts Manual

TABLE 8. BAG ASSEMBLY - USA

PART NUMBER	DESCRIPTION	QTY
6237117	REMOVAL TOOL-IMPELLER	1
6237347	VINYL CAP-1.00 ID.X.50 LG	3
6408139	NUT & FERRULE ASSY-BRASS#4BT	1
6408140	TUBE-9082699-1/4 OD-2.00"	1
6408141	FITTING-PI-211208-S(RLC38014	1
6408142	LOCKING CLIP-PI-C1808-R(LC14	1
6408143	LOCKING CLIP-PI-C1812R (LC38	1
6840017	LABEL-PRICE & CUP SZ-CAFE'SY	1
6840018	INSERTSET-DUAL CUP-ENGLISH	1
6840019	INSERT SET-SNGL CUP-ENGLISH	1
WD684002	CAFE 7 & EXEC - 120V/230V - WIRE DIA	1
6841073	GASKET-FOAM	1
6880016	OPERATOR'S GUIDE-C7	1
6880018	CAFE' EXEC.SETUP GUIDE	1
4840062	INSTR.HOT WATER TANK CLEANING	1
6840068	INSERT SET - BLANK	1
6880011	INSERT SET-CAFE'EXEC-SNGL CU	1
6880012	INSERT SET-CAFE'EXEC-DUAL CU	1
6882038	LABEL-MENU & INSTR.-ENGLISH	1

Café Executive Parts Manual

TABLE 9. BAG ASSEMBLY - FRENCH CANADA

PART NUMBER	DESCRIPTION	QTY
1300018	BAG PLASTIC	1
6237080	NOZZLE-DISPENSING-F.D.COFFEE	1
6237117	REMOVAL TOOL-IMPELLER	1
6237347	VINYL CAP-1.00 ID.X.50 LG	3
6400084	INSTR SHT-PAPER ROLL/TEA-FR.	1
6400123	C.E.SPECIFICATION SHEET	1
6404064	WASHER-FLAT-NYLON	1
6408139	NUT & FERRULE ASSY-BRASS#4BT	1
6408140	TUBE-9082699-1/4 OD-2.00"	1
6408141	FITTING-PI-211208-S(RLC38014	1
6408142	LOCKING CLIP-PI-C1808-R(LC14	1
6408143	LOCKING CLIP-PI-C1812R (LC38	1
6840017	LABEL-PRICE & CUP SZ-CAFE'SY	1
6840020	INSERT SET-DUAL CUP-FRENCH	1
6840021	INSERT SET-SNGL CUP-FRENCH	1
WD684002	CAFE 7 & EXEC - 120V/230V - WIRE DIA	1
6841073	GASKET-FOAM	1
6880016	OPERATOR'S GUIDE-C7	1
6880018	CAFE' EXEC.SETUP GUIDE	1
4840062	INSTR.HOT WATER TANK CLEANING	1
6840068	INSERT SET - BLANK	1
6880013	INSERT SET-CAFE'EX-SGL CUP-F	1
6880014	INSERT SET-CAFE'EXE-DUAL CP	1
6882039	LABEL-MENU & INSTR.-FRENCH	1

Expanded Refreshment Center Parts Manual

TABLE 14. BAG ASSEMBLY B4970003 - CAN - 5 (MEXICO)

PART NUMBER	DESCRIPTION	QTY.
1477083	RETAINER - SPIRAL - WALL	10
1477123	PRICE ROLL - 0 TO 25 - U.K./GER/	40
1572412	KIT - WIRE BLOCK	1
1577061	LABEL - ITEM LETTERS - A0-A9 - U.K.	1
1577062	LABEL - ITEM LETTERS - B0-B9 - U.K.	1
1577063	LABEL - ITEM LETTERS - C0-C9 - U.K.	1
1577064	LABEL - ITEM LETTERS - D0-D9 - U.K.	1
1577065	LABEL - ITEM LETTERS - E0-E9 - U.K.	1
1577066	LABEL - ITEM LETTERS - F0-F9 - U.K.	1
4747091	FLAVOR STRIPS - 10	1
4747097	PRODUCT ID LABEL FLAVOR STRIP INST	1
4840040	DOCUMENTATION PACKAGE	1
4970033	WIRING DIAGRAM PACKAGE - 115V/230V - EXEC-C	1

TABLE 15. BAG ASSEMBLY B4970007 - FOOD - 5 (MEXICO)

PART NUMBER	DESCRIPTION	QTY.
1477014	ROLL - PRICE CENTS	10
1477071	PACKAGE ASSEMBLY - PRODUCT PUSHER	
1477083	RETAINER - SPIRAL - WALL	10
1477123	PRICE ROLL - 0 TO 25 - U.K./GER/	40
1572412	KIT - WIRE BLOCK	1
1577054	LABEL - ITEM LETTERS - A0-A9 - GER	1
1577055	LABEL - ITEM LETTERS - B0-B9 - GER	1
1577056	LABEL - ITEM LETTERS - C0-C9 - GER	1
1577057	LABEL - ITEM LETTERS - D0-D9 - GER	1
1577058	LABEL - ITEM LETTERS - E0 - E9 - GER	1
1577059	LABEL - ITEM LETTERS - F0-F9 - GER	1
4612001	DECAL - "CHILLED FOR FRESHNESS"	1
4840040	DOCUMENTATION PACKAGE	1
4970033	WIRING DIAGRAM PACKAGE - 115V/230V - EXEC - C	1

Expanded Refreshment Center Parts Manual

TABLE 16. BAG ASSEMBLY B4980002 - CAN - 4 (BRAZIL)

PART NUMBER	DESCRIPTION	QTY.
1477071	PACKAGE ASSEMBLY - PRODUCT PUSHER	-
1477083	RETAINER - SPIRAL - WALL	10
1477123	PRICE ROLL - 0 TO 25 - U.K./GER/	40
1572412	KIT - WIRE BLOCK	1
1577061	LABEL - ITEM LETTERS - A0-A9 - U.K	1
1577062	LABEL - ITEM LETTERS - B0-B9 - U.K	1
1577063	LABEL - ITEM LETTERS - C0-C9 - U.K	1
4747091	FLAVOR STRIPS - 10	1
4747097	PRODUCT ID LABEL FLAVOR STRIP INST	1
4840040	DOCUMENTATION PACKAGE	1
4970032	WIRING DIAGRAM PACKAGE - 230V - EXEC - CAN	1

TABLE 17. BAG ASSEMBLY B4980006 - FOOD - 4 (BRAZIL)

PART NUMBER	DESCRIPTION	QTY.
1477071	PACKAGE ASSEMBLY - PRODUCT PUSHER	
1477083	RETAINER - SPIRAL - WALL	10
1477123	PRICE ROLL - 0 TO 25 - U.K./GER/	40
1572412	KIT - WIRE BLOCK	1
1577061	LABEL - ITEM LETTERS - A0-A9 - U.K	1
1577062	LABEL - ITEM LETTERS - B0-B9 - U.K	1
1577063	LABEL - ITEM LETTERS - C0-C9 - U.K	1
4840040	DOCUMENTATION PACKAGE	1
4970035	WIRING DIAGRAM PACKAGE - 230V - EXEC - FOOD	1

Expanded Refreshment Center Parts Manual

TABLE 18. BAG ASSEMBLY B4970001 - CAN - 3-4 (LATIN AMERICA/BRAZIL)

PART NUMBER	DESCRIPTION	QTY.
1477071	PACKAGE ASSEMBLY - PRODUCT PUSHER	
1477083	RETAINER - SPIRAL - WALL	10
1477123	PRICE ROLL - 0 TO 25 - U.K./GER/	42
1572412	KIT - WIRE BLOCK	1
1577061	LABEL - ITEM LETTERS - A0-A9 - U.K	1
1577062	LABEL - ITEM LETTERS - B0-B9 - U.K	1
1577063	LABEL - ITEM LETTERS - C0-C9 - U.K	1
1577065	LABEL - ITEM LETTERS - E0-E9 - U.K	1
1577066	LABEL - ITEM LETTERS - F0-F9 - U.K	1
4747091	FLAVOR STRIPS - 10	1
4747097	PROD.ID LBL/FLAVR STRIP INST	1
4840040	DOCUMENTATION PACKAGE	1
4970033	WIRING DIAGRAM PACKAGE - 115V/230V - EXEC- C	1

TABLE 19. BAG ASSEMBLY B4970005 - CAN - 12 (NEW ZEALAND)

PART NUMBER	DESCRIPTION	QTY
1477071	PACKAGE ASSY - PRODUCT PUSHER	1
1477083	RETAINER - SPIRAL - WALL	10
1477123	PRICE ROLL - 0 TO 25 - U.K./GER/	42
1572412	KIT - WIRE BLOCK	1
1577047	LABEL - ITEM LETTERS - A0-A9	1
1577048	LABEL - ITEM LETTERS B0-B9	1
1577049	LABEL - ITEM LETTERS C0-C9	1
2360036	BAG PACKING	3
4612001	DECAL - "CHILLED FOR FRESHNESS"	1
4747091	FLAVOR STRIPS - 10	1
4747097	PRODUCT ID LABEL FLAVOR STRIP INST	1
4840040	DOCUMENTATION PACKAGE	1
4970027	LIST - BAG ASSY B4970005 - CONTE	1
4970032	WIRING DIAGRAM PACKAGE - 230V - EXEC - CAN	1

Expanded Refreshment Center Parts Manual

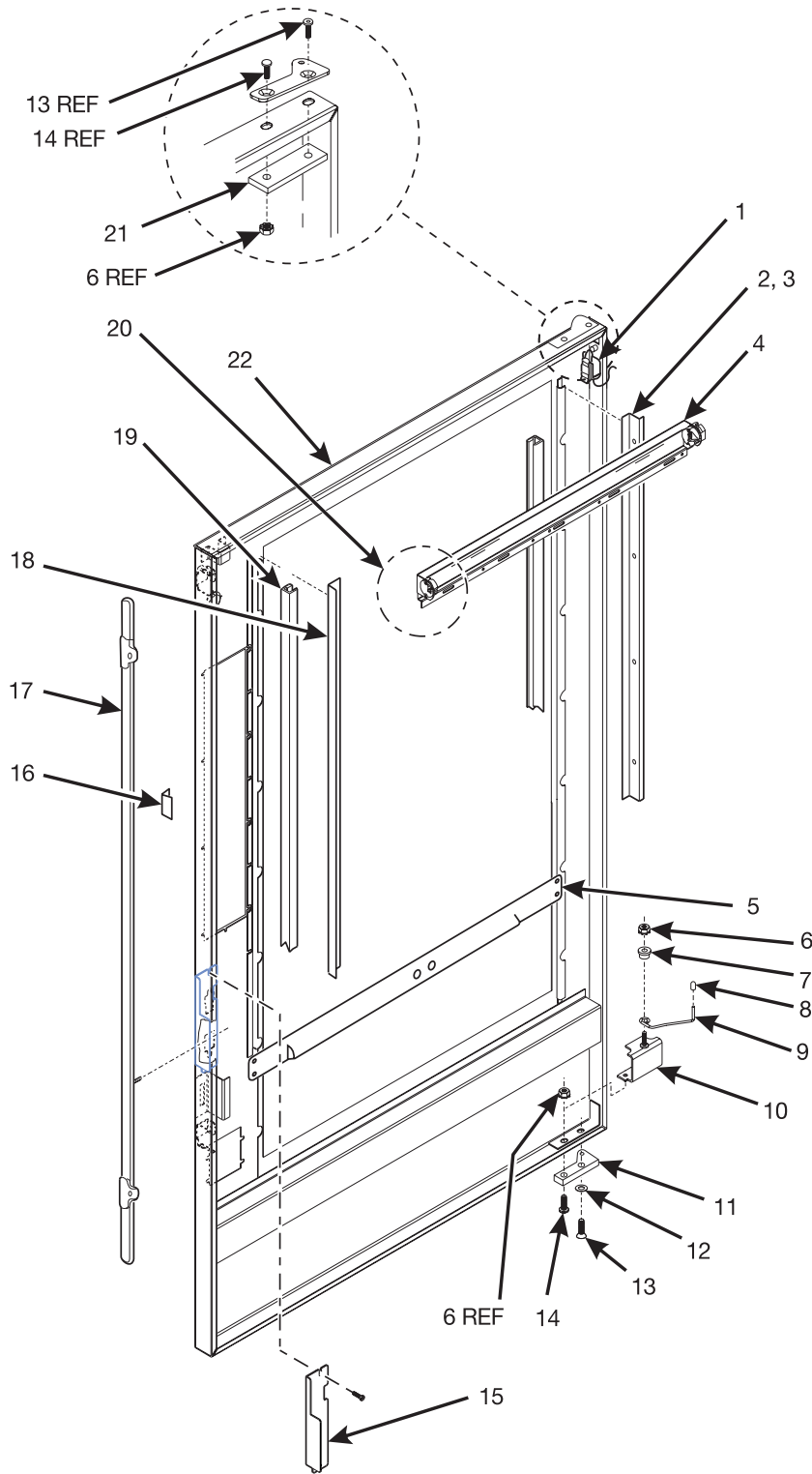
TABLE 20. BAG ASSEMBLY B4640011 - 27 (SOUTH AFRICA)

PART NUMBER	DESCRIPTION	QTY.
1472274	PRICE ROLL - UK - 1L/10L,8P/35P	32
1477071	PACKAGE ASSEMBLY - PRODUCT PUSHER	1
1477083	RETAINER - SPIRAL - WALL	10
1477123	PRICE ROLL - 0 TO 25 - U.K./GER/	32
1570071	DOCUMENTATION PACKAGE	1
1572205	ROLL - PRICE - UK - 36P TO 62P +FR	32
1572206	ROLL - PRICE - UK - RANGE: 63P TO 9	32
1572412	KIT - WIRE BLOCK	1
1575083	COIN CHUTE & BRACKET ASSEMBL	1
1575086	INSTRUCTION SHEET - COIN CHUTE & BRACKET ASSEMBLY	1
1577061	LABEL - ITEM LETTERS - A0-A9 - U.K	1
1577062	LABEL - ITEM LETTERS - B0-B9 - U.K	1
1577063	LABEL - ITEM LETTERS - C0-C9 - U.K	1
1577064	LABEL - ITEM LETTERS - D0-D9 - U.K	1
1577065	LABEL - ITEM LETTERS - E0-E9 - U.K	1
1577066	LABEL - ITEM LETTERS - F0-F9 - U.K	1
4612001	DECAL - "CHILLED FOR FRESHNESS"	1

TABLE 21. BAG ASSEMBLY B4970008 - CAN - 31 (CHINA)

PART NUMBER	DESCRIPTION	QTY.
1477071	PACKAGE ASSEMBLY - PRODUCT PUSHER	1
1477083	RETAINER - SPIRAL - WALL	10
1477123	PRICE ROLL - 0 TO 25 - U.K./GER/	42
1572412	KIT - WIRE BLOCK	1
1577047	LABEL - ITEM LETTERS - A0-A9	1
1577048	LABEL - ITEM LETTERS B0-B9	1
1577049	LABEL - ITEM LETTERS C0-C9	1
2360036	BAG PACKING	3
4612001	DECAL - "CHILLED FOR FRESHNESS"	1
4747091	FLAVOR STRIPS - 10	1
4747097	PRODUCT ID LABEL FLAVOR STRIP INST	1
4840040	DOCUMENTATION PACKAGE	1
4970032	WIRING DIAGRAM PACKAGE - 230V - EXEC - CAN	1

Expanded Refreshment Center Parts Manual



497p0066

Figure 23. Millennium Door Assembly

Expanded Refreshment Center Parts Manual

TABLE 22. MILLENNIA DOOR ASSEMBLY

INDEX	PART NUMBER	DESCRIPTION	QTY.
1	6152118	BALLAST ASSEMBLY - CABINET LIGHT (SEE FIGURE 25 FOR DETAILS) (SEE FIGURE 26 FOR DETAILS)	1
2	4972107	RETAINER - GLASS - WITH SIDE LIGHT (SEE FIGURE 27 FOR DETAILS)	1
3	1572020	RETAINER - GLASS - LARGE SNACK - NV BLACK (SEE FIGURE 29 FOR DETAILS)	OPT.
4	1572017	LIGHT ASSEMBLY - UPPER - DOOR (SEE FIGURE 25 FOR DETAILS) (SEE FIGURE 26 FOR DETAILS)	1
5	4972141	PANEL ASSEMBLY - GLASS - LOWER (SEE FIGURE 30 FOR DETAILS)	1
6	1211105	1/4-20 KEPS NUT - EXT LW - ZP	3
7	1142017	BUSHING - DOOR CHECK	1
8	1571037	CAP - VINYL - .281 ID X .50 LONG	1
9	1572009	ROD - DOOR CHECK	1
10	1572007	WELD ASSEMBLY - DOOR CHECK	1
11	6232031	HINGE ASSEMBLY - DOOR - LOWER	1
12	4242145	BEARING - THRUST - LOWER HINGE	1
13	6232036	SCREW - 5/16-18 X .75 FLT. HD. SOCKET	2
14	6232208	WELD SCREW - #1/4-20 X 1 IN LONG	2
15	1572196	CHANNEL - FILLER - LOCK (CAPTURED BY TRIM SCREWS)	1
16	1472250	GUIDE - LOCK BAR	1
17	1472178	LOCK BAR ASSEMBLY	1
18	1472048	PLATE - GLASS RETAINING	1
19	1572243	SPACER - GLASS RETAINER (SEE FIGURE 31 FOR DETAILS)	
20	4972106	SPACER - LIGHT BRACKET (SEE FIGURE 32 FOR DETAILS)	1
21	6232028	PLATE ASSEMBLY - HINGE MOUNTING	1
22	4972185	DOOR WELD - BLACK	1

Expanded Refreshment Center Parts Manual

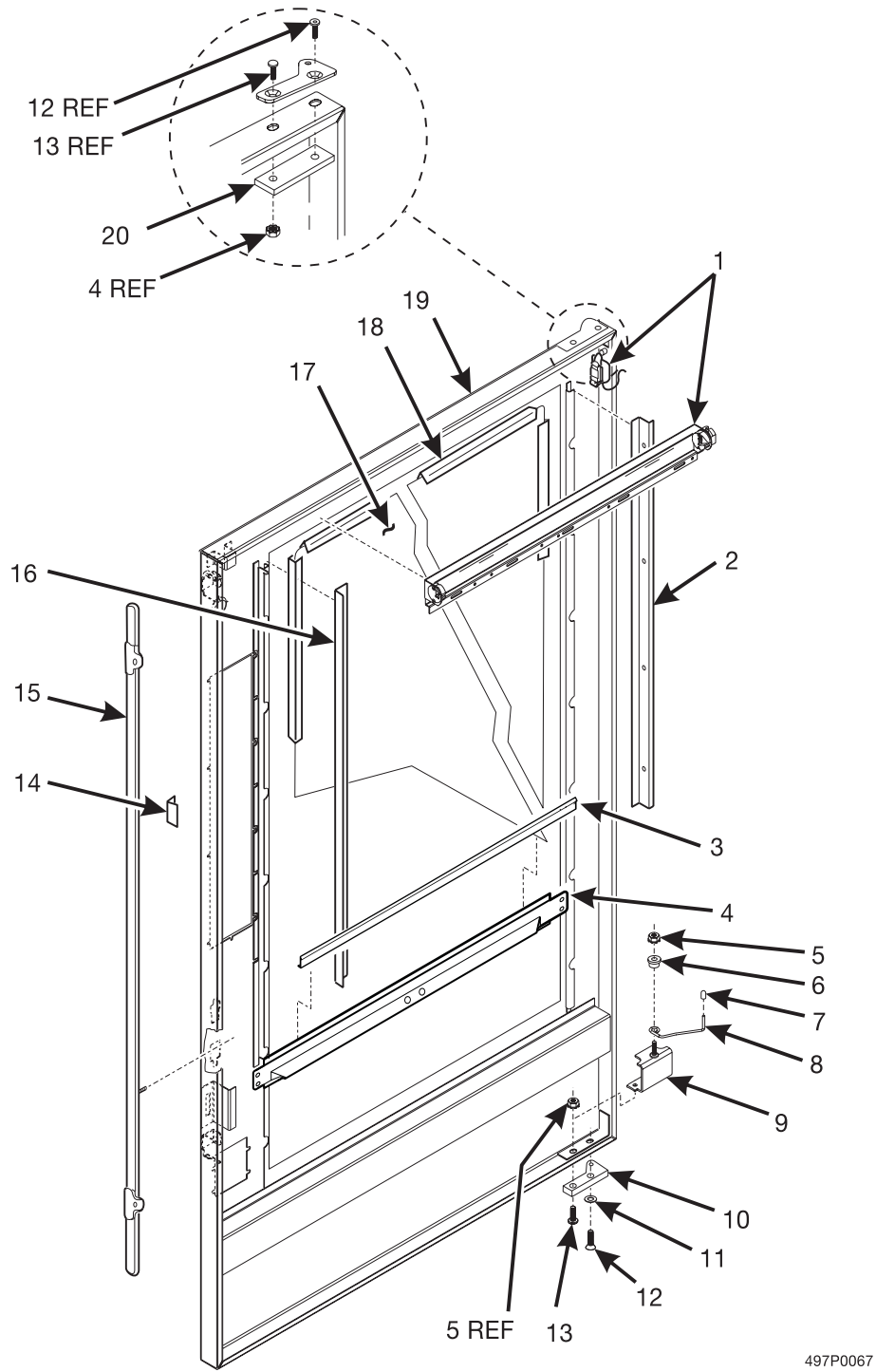
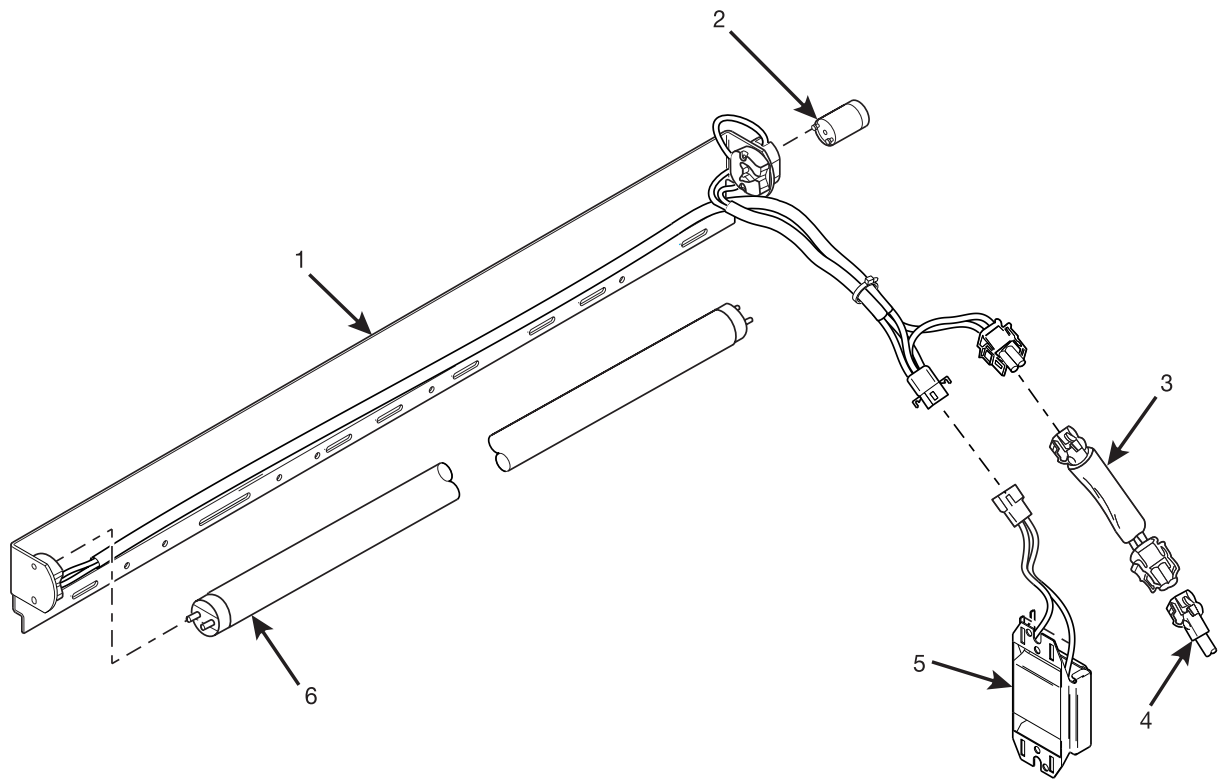


Figure 24. Standard Door Assembly

Expanded Refreshment Center Parts Manual

TABLE 23. STANDARD DOOR ASSEMBLY

INDEX	PART NUMBER	DESCRIPTION	QTY.
1	-	(SEE FIGURE 25 FOR DETAILS)	-
2	-	(SEE FIGURE 28 FOR DETAILS) (SEE FIGURE 29 FOR DETAILS)	-
3	4972047	CHANNEL - GLASS - LOWER	1
5	1211105	1/4-20 KEPS NUT - EXT LW - ZP	2
6	1142017	BUSHING -DOOR CHECK	1
7	1571037	CAP - VINYL - .281 I.D. X .50 LONG	1
8	1572009	ROD - DOOR CHECK	1
9	1572007	WELD ASSEMBLY - DOOR CHECK	1
10	6232031	HINGE ASSEMBLY - DOOR - LOWER	1
11	4242145	BEARING - THRUST - LOWER HINGE	1
12	6232036	SCREW - 5/16-18 X .75 FLT HD. SOCKET	2
13	6232208	WELD SCREW #1/4-20 X 1 IN LONG	2
14	1472250	GUIDE - LOCK BAR	1
15	1472178	LOCK BAR ASSEMBLY	1
16	1472048	PLATE - GLASS RETAINING	1
17	4972048	GLASS - DISPLAY	OPT
	4972108	LEXAN - DISPLAY GLASS	
18	2222124	CHANNEL - GLASS - HORIZONTAL AND VERTICAL (114.18")	-
19	4972185	DOOR WELD - PAINTED - N.V. BLACK	1
20	6232028	PLATE ASSEMBLY - HINGE MOUNTING	1



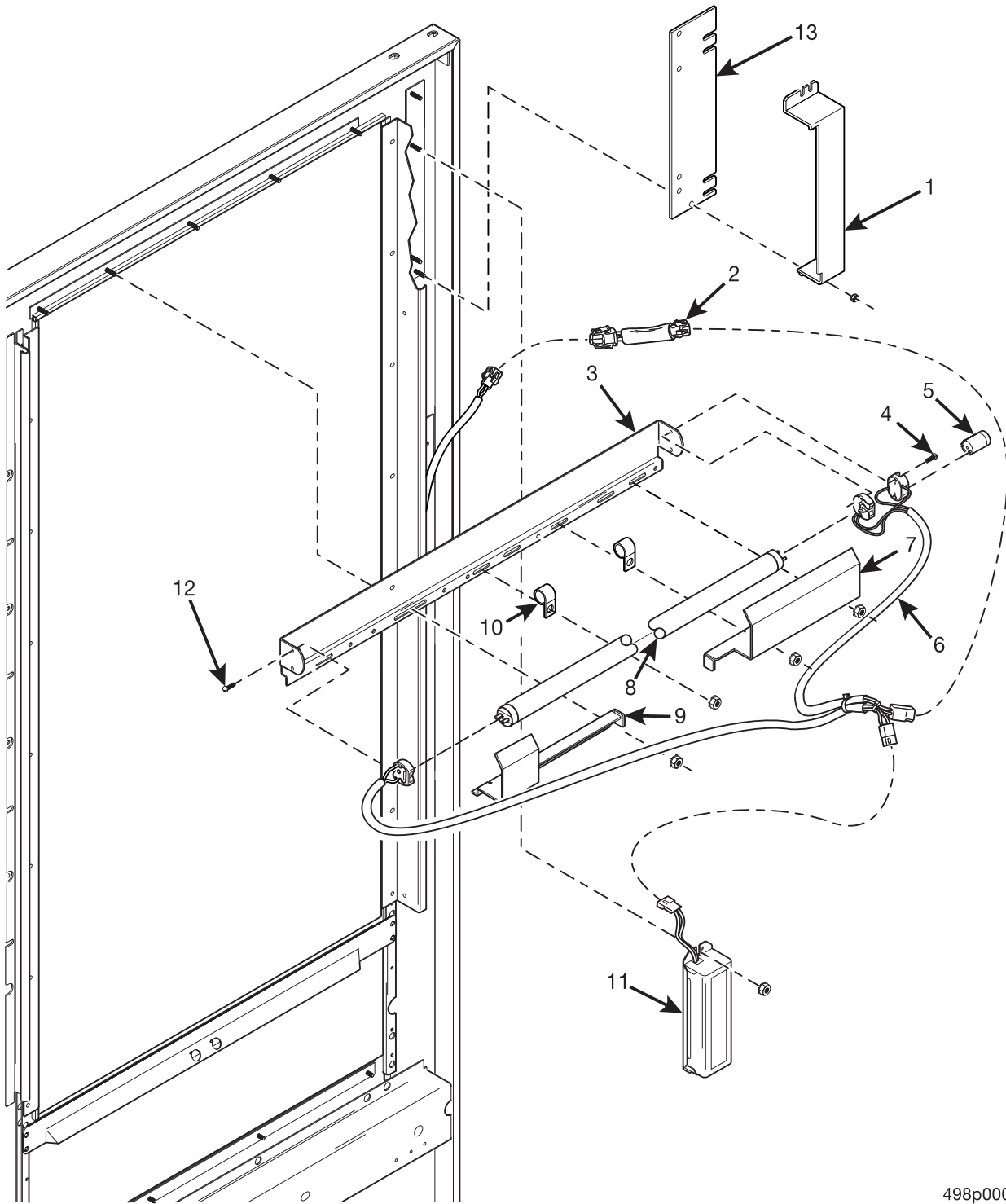
497p0068

Figure 25. Upper Door Light Assembly - 115 V.

Expanded Refreshment Center Parts Manual

TABLE 24. UPPER DOOR LIGHT ASSEMBLY - 115 V.

INDEX	PART NUMBER	DESCRIPTION	QTY.
1	1702004	LIGHT ASSEMBLY - UPPER - DOOR (U.S., MEXICO, BRAZIL 120V)	1
2	2302218	STARTER - FLUORESCENT LIGHT	1
3	1451124	SUPPRESSION NETWORK ASSEMBLY	1
4	4979000	FLAT CABLE ASSEMBLY	1
5	6152118	BALLAST ASSEMBLY - CABINET LIGHT	1
6	1172115	FLUORESCENT LAMP - 25 WAT - 28" LONG	1



498p0002

Figure 26. Upper Door Light Assembly - 230 V

Expanded Refreshment Center Parts Manual

TABLE 25. UPPER DOOR LIGHT ASSEMBLY - 230 V

INDEX	PART NUMBER	DESCRIPTION	QTY.
1	1572047	COVER - BALLAST - EUROPE	1
2	6332010	SUPPRESSION ASSEMBLY - 230 V.	1
3	1582025	BRACKET - LIGHT - COMMON - 20 WATT	1
4	3107171	SCREW - #4-36 X 5/8 RHS	2
5	2222095	FLUORESCENT LAMP STARTER	1
6	1709015	HARNESS - FLUORESCENT LIGHT	1
7	1572045	COVER - LIGHT SOCKET - LEFT (SWEDEN, U.K., FRANCE, GER- MANY)	1
8	1122138	FLUORESCENT LAMP	1
9	1572044	COVER - LIGHT SOCKET - RIGHT ((SWEDEN, U.K., FRANCE, GER- MANY)	1
10	1452139	RETAINER - HARNESS	2
11	1572016	BALLAST ASSEMBLY - 20 W - 230 V	1
12	1452076	SCREW - #4-36 X .432 RHS	2
13	1572046	PLATE BALLAST - INTERNATIONAL	1

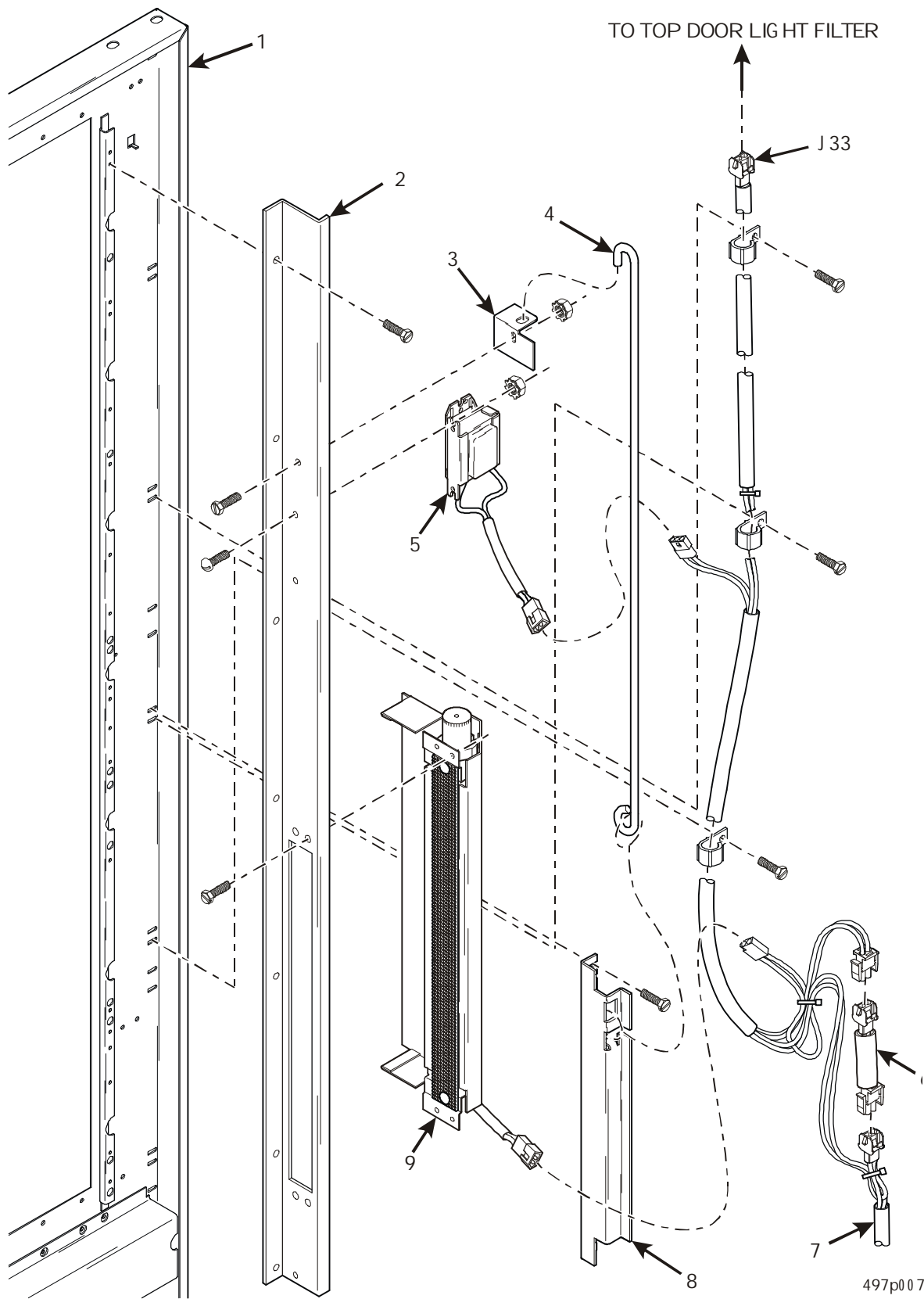


Figure 27. Glass Retainer With Side Light - Food Option

Expanded Refreshment Center Parts Manual

TABLE 26. G LASS RETAINER W ITH SIDE LIG HT - FOOD OPTION

INDEX	PART NUM BER	DESCRIPTION	QTY.
1	49720 40	W ELD ASSEM BLY - DOOR - UNPAINTED	1
2	497210 7	RETAINER - G LASS - W ITH SIDE LIG HT ASSEM BLY	1
3	15720 28	RETAINER - ROD SU PPORT - COM M ON	OPT.
4	1479140	ROD - SU PPORT - G & M	OPT.
5	440 10 16	BALLAST ASSEM BLY	1
6	1451124	SU PPRESSION NETW ORK ASSEM BLY	1
7	49790 0 9	HARNESS - SIDE PANEL AND DOOR FLUORESCENT LIG HT	1
8	49720 49	BRACK ET - GUM & M INT PROP - M ILLENNIA (ATTACHED TO DOOR W ITH TRIM ATTACHING HARDW ARE)	OPT.
9	15720 23	FLUORESCENT LIG HT SIDE ASSEM BLY W ITH COVER (SEE FIG - URE 28 FOR DETAILS)	1

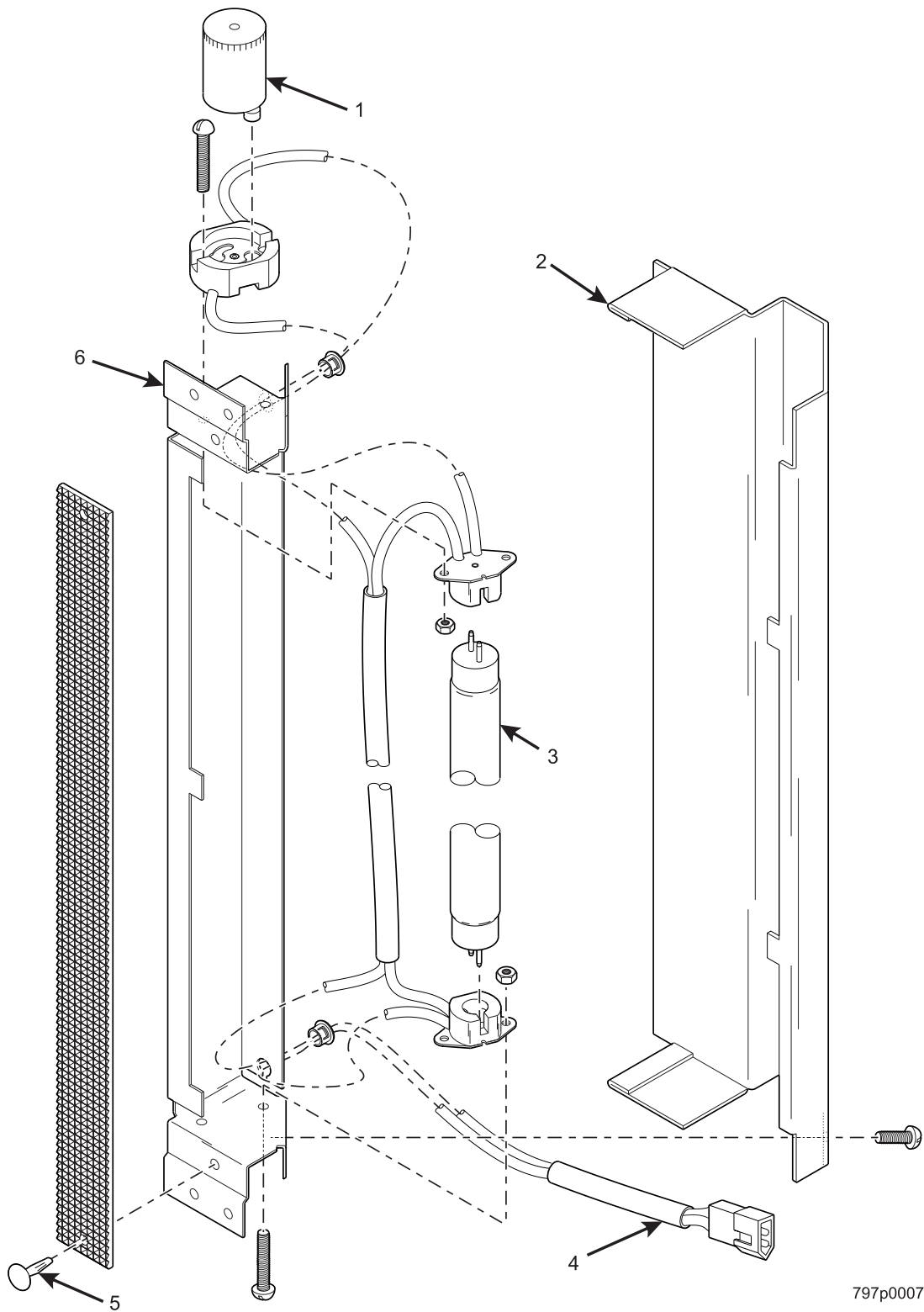
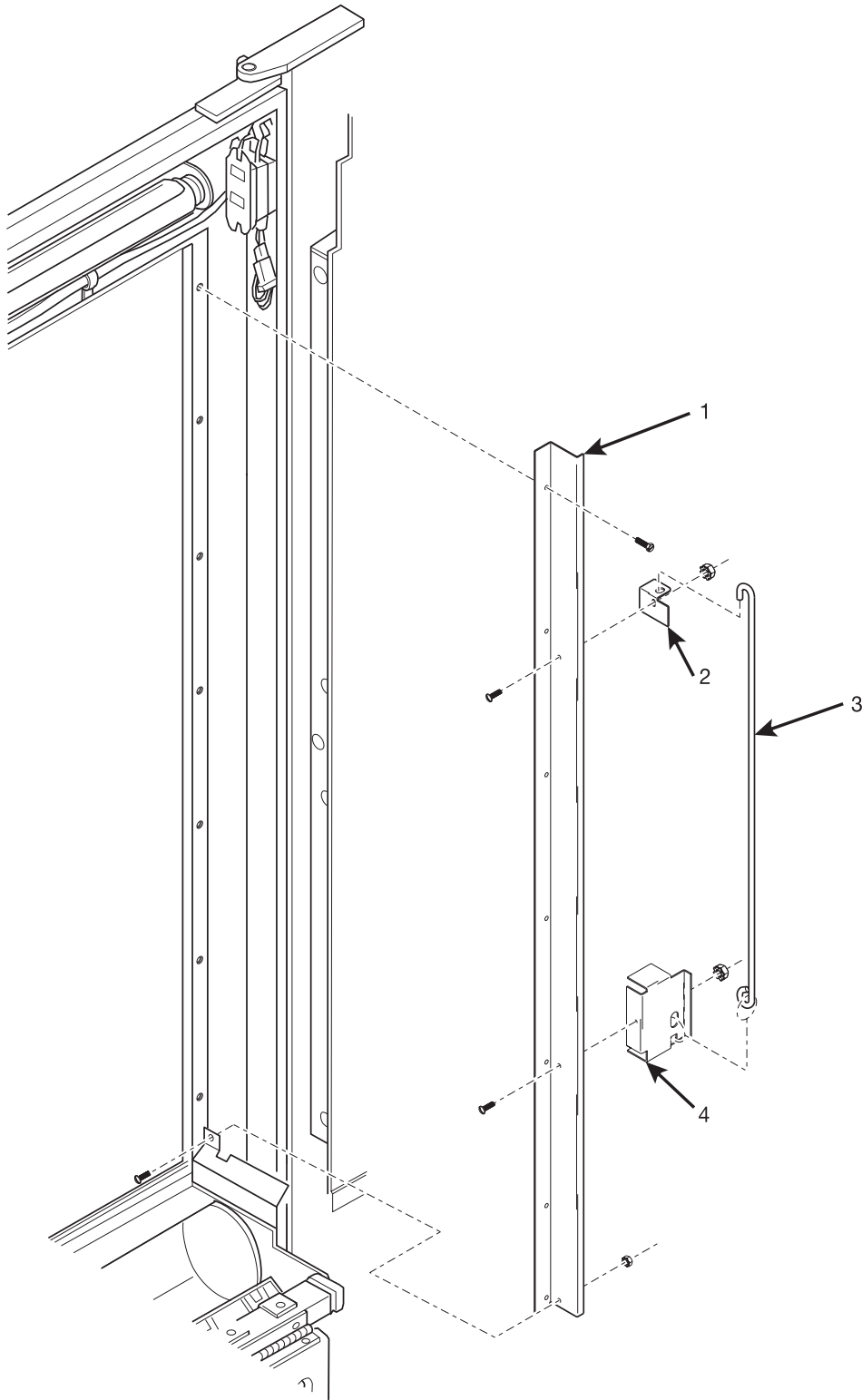


Figure 28. Fluorescent Light Side Assembly With Cover

Expanded Refreshment Center Parts Manual

TABLE 27. FLUORESCENT LIGHT SIDE ASSEMBLY WITH COVER

INDEX	PART NUMBER	DESCRIPTION	QTY.
1	1212148	FLUORESCENT LAMP STARTER	1
2	4852049	COVER - LIGHT	1
3	2146059	LAMP - FLUORESCENT - 8 WATT	1
4	4849008	HARNESS - FLUORESCENT LIGHT - FOOD MODULE	1
5	4042556	CANOE CLIP	1
6	4842015	HOUSING - LIGHT - COMMON	1



497p0073

Figure 29. Glass Retainer - Can Option

Expanded Refreshment Center Parts Manual

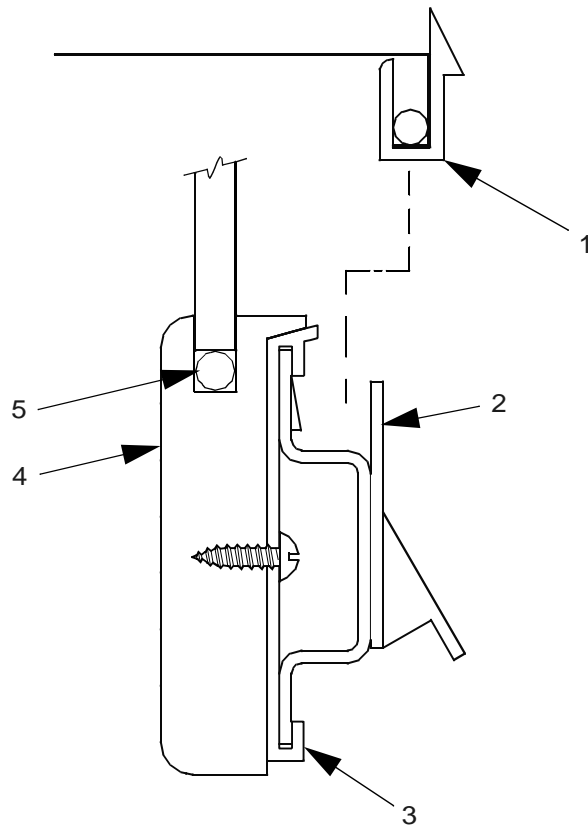
TABLE 28. GLASS RETAINER - CAN OPTION

INDEX	PART NUMBER	DESCRIPTION	QTY.
1	1572020	RETAINER - GLASS - LG. SNACK - N.V. BLACK	1
2	1572028	RETAINER - ROD SUPPORT - COMMON	OPT.
3	1479140	ROD - SUPPORT G. & M.	OPT.
4	1572027	SUPPORT - PROP ROD - COMMON	OPT.

Expanded Refreshment Center Parts Manual

TABLE 29. LOWER GLASS SUPPORT PANEL ASSEMBLY

INDEX	PART NUMBER	DESCRIPTION	QTY.
-	1582141	HORIZONTAL TRIM & GLASS CHANNEL ASSEMBLY	1
1	1582095	CHANNEL & DELECTOR ASSEMBLY	1
2	1602026	PANEL ASSEMBLY - GLASS LOWER	1
3	1582084	PANEL - LOWER TRIM - W/HOLES & PTD.	1
4	1582201	HORIZONTAL TRIM - UPPER - J	1
5	1582093	GASKET - GLASS	1



157p0278

Figure 30. Lower Glass Support Panel Assembly

Expanded Refreshment Center Parts Manual

TABLE 30. DOOR GLASS AND GLASS RETAINING COMPONENTS

INDEX	PART NUMBER	DESCRIPTION	QTY.
1	4972101	GLASS - CURVED FRONT	1
2	1572020	GLASS RETAINER (CAN)	REF
	4972107	GLASS RETAINER WITH SIDE LIGHT	
3	1572243	GLASS RETAINER SPACER	2
4	1472048	GLASS RETAINING PLATE	REF

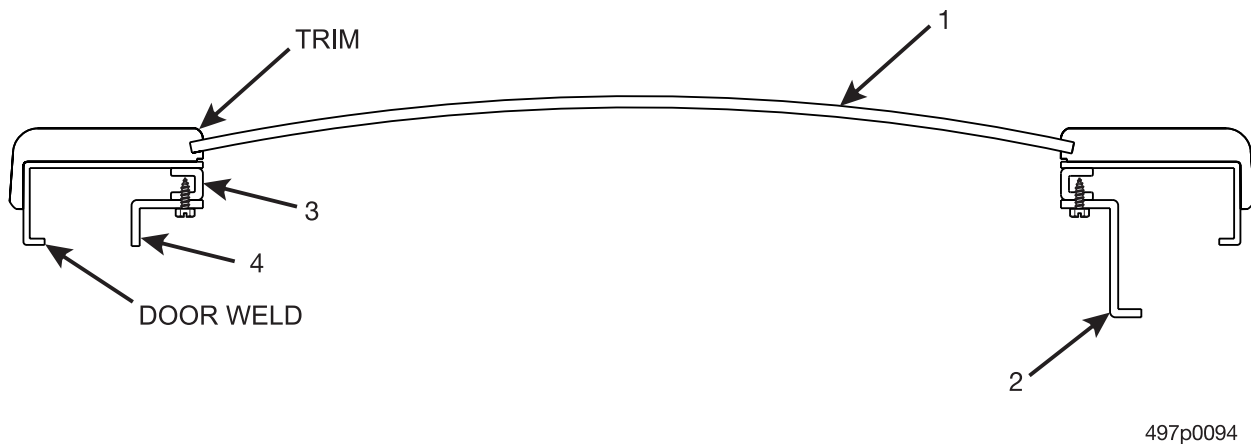


Figure 31. Door Glass and Glass Retaining Components

Expanded Refreshment Center Parts Manual

TABLE 31. UPPER DOOR LIGHT MOUNTING

INDEX	PART NUMBER	DESCRIPTION	QTY.
1	4972106	SPACER - LIGHT BRACKET	1

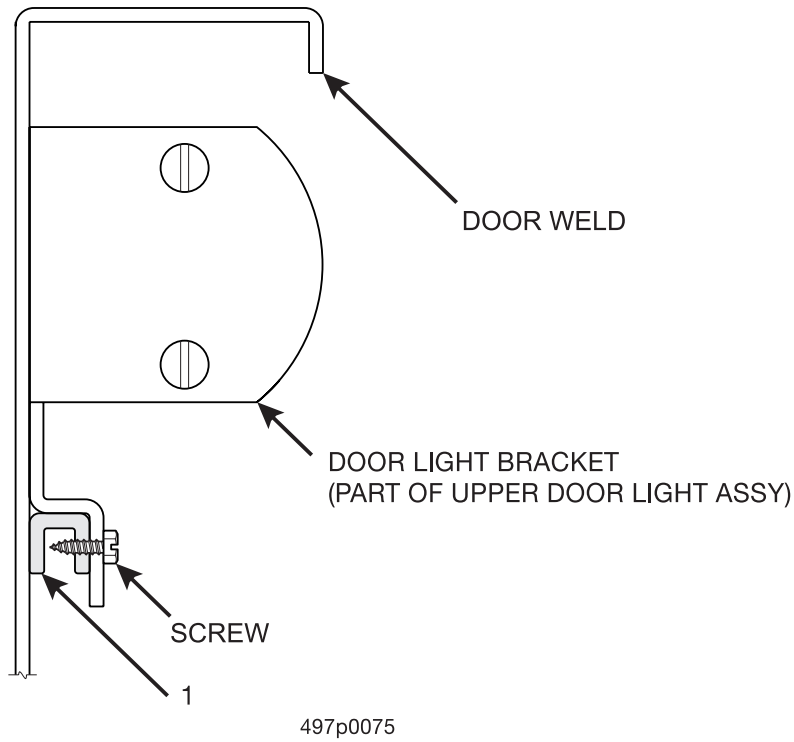
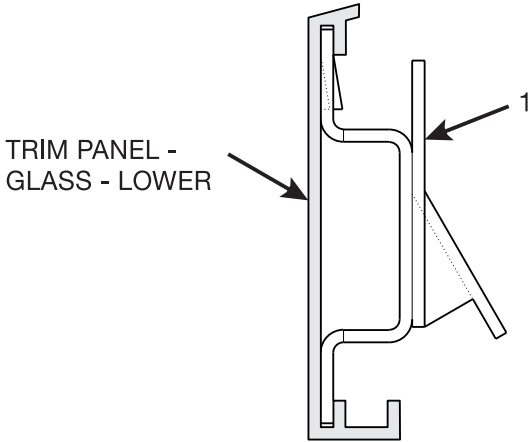


Figure 32. Upper Door Light Mounting

Expanded Refreshment Center Parts Manual

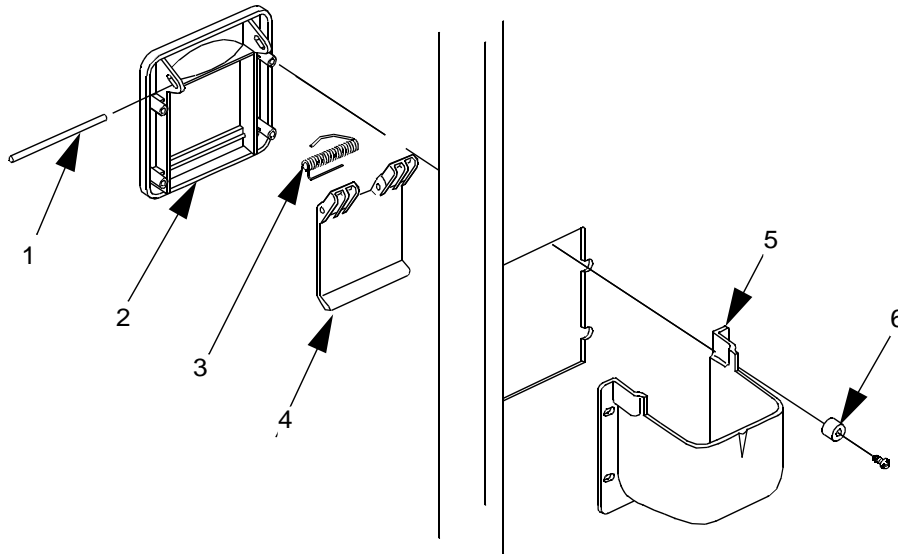
TABLE 32. LOWER GLASS SUPPORT PANEL

INDEX	PART NUMBER	DESCRIPTION	QTY.
1	4972141	PANEL ASSEMBLY - GLASS - LOWER	1

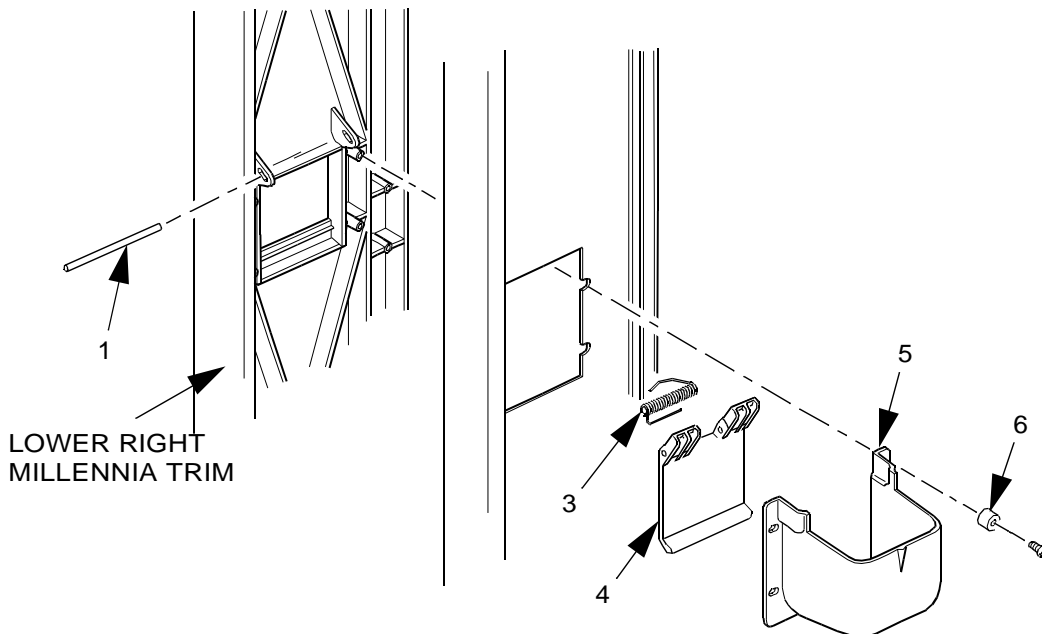


497p0069

Figure 33. Lower Glass Support Panel



COIN RECEPTACLE ASSEMBLY - STANDARD



COIN RECEPTACLE ASSEMBLY - MILLENNIA

497p0090

Figure 34. Coin Receptacle Assemblies

Expanded Refreshment Center Parts Manual

TABLE 33. COIN RECEPTACLE ASSEMBLIES

INDEX	PART NUMBER	DESCRIPTION	QTY.
1	2302093	SPACER - CUP	4
2	4042512	SCREW - #8-32 X 1/2 - PHS - S/T	4
3	1572010	CUP - COIN RETURN	1
4	4245082	GATE - COIN RETURN	1
5	4245083	SPRING - COIN RETURN DOOR	1
6	4245084	SHAFT - DOOR - COIN RETURN	1
7	1572011	TRIM - COIN CUP - BLACK (STANDARD DOOR ONLY)	1

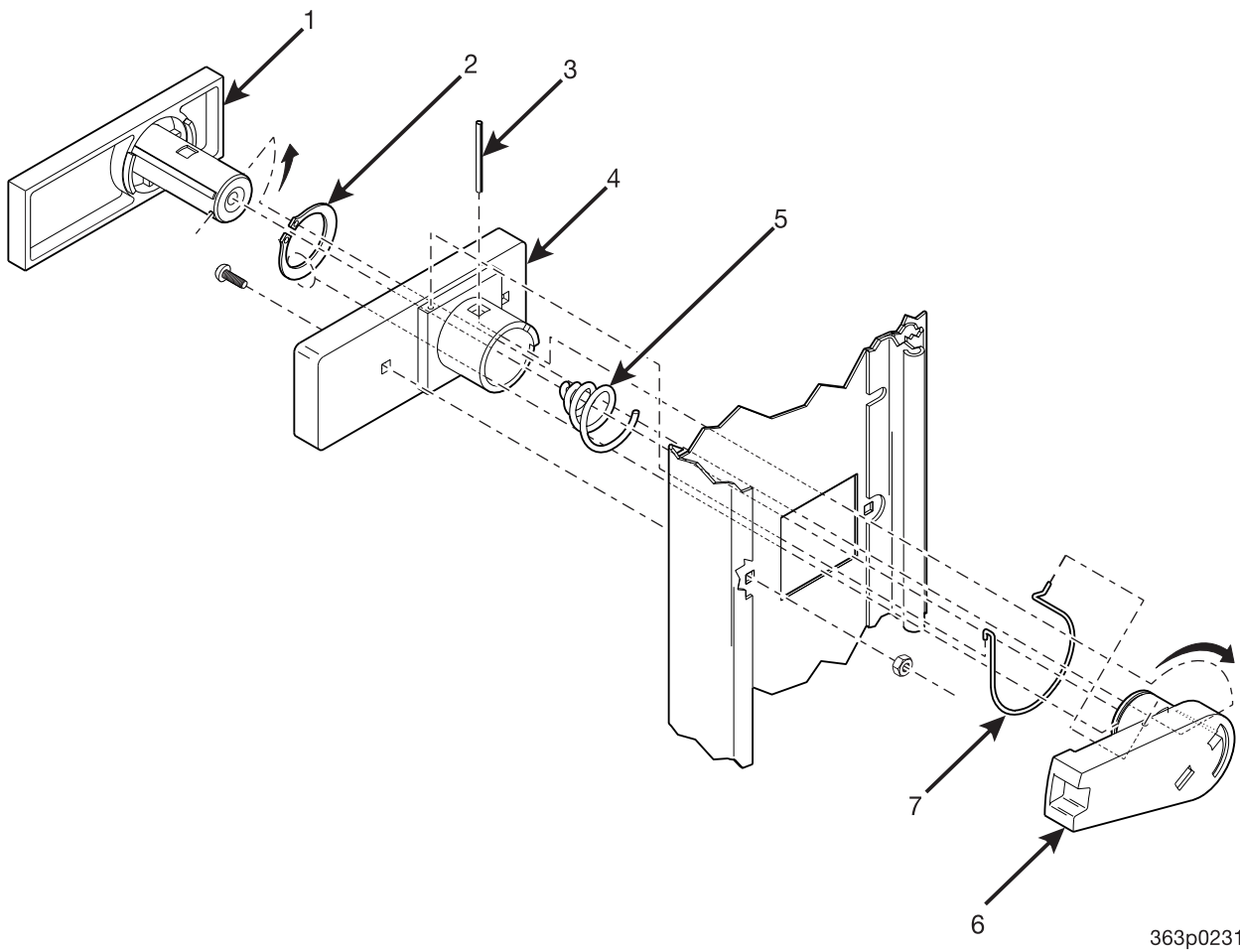
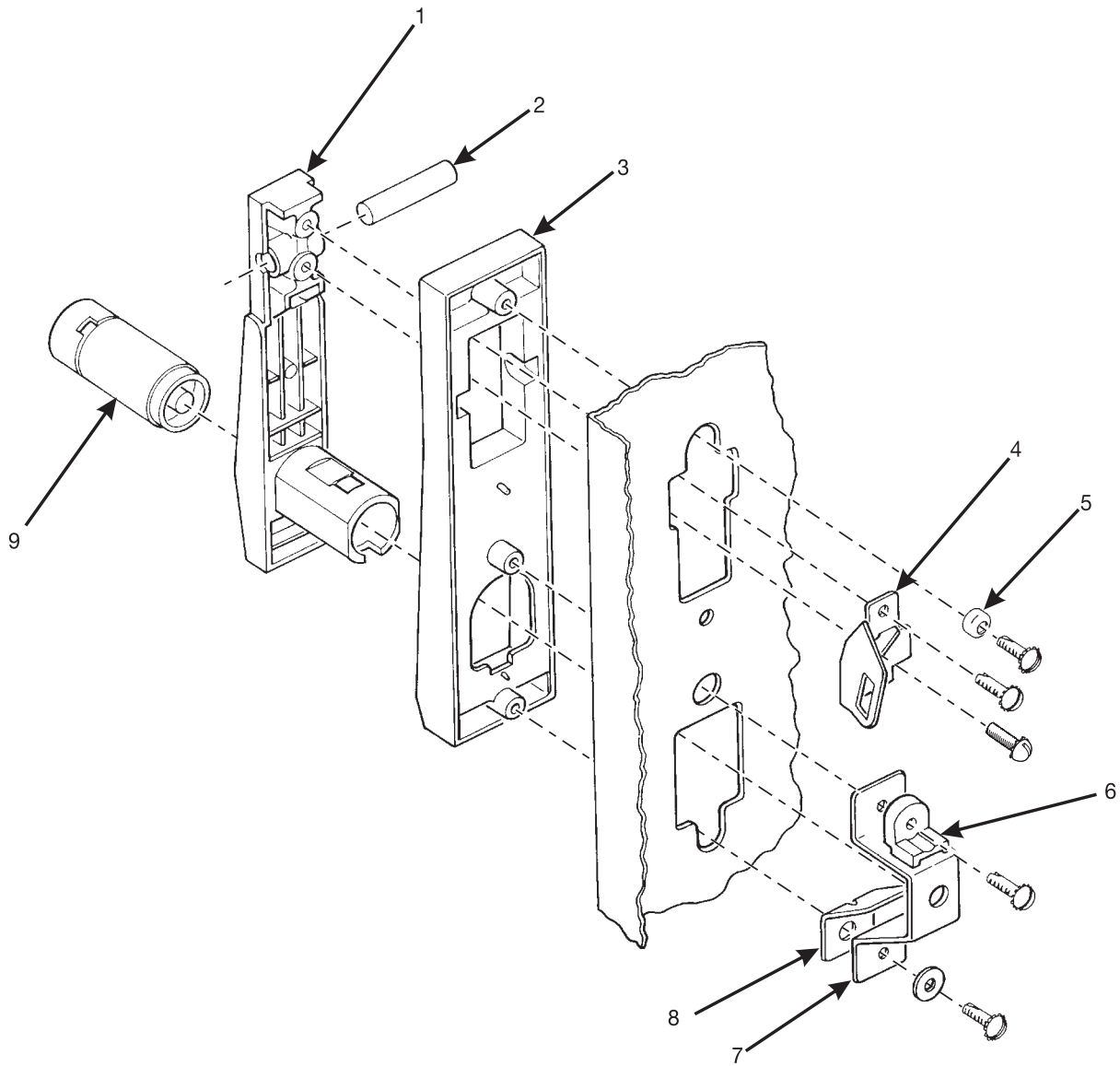


Figure 35. Millennium Door Lock and Handle Assembly

Expanded Refreshment Center Parts Manual

TABLE 34. MILLENNIA DOOR LOCK AND HANDLE ASSEMBLY

INDEX	PART NUMBER	DESCRIPTION	QTY.
1	1572397	LEVER - HANDLE	1
2	1572199	RETAINING RING - LOCK ACTUATOR	1
3	6104218	ROLL PIN 1/8" X 1"	1
4	1572396	BASE - LOCK HANDLE	1
5	1572203	SPRING - LOCK	1
6	1572398	ACTUATOR - LOCK	1
7	1572204	SPRING - LIFT - ACTUATOR	1



797p0001

Figure 36. Door Lock and Handle Assembly

Expanded Refreshment Center Parts Manual

TABLE 35. DOOR LOCK AND HANDLE ASSEMBLY

INDEX	PART NUMBER	DESCRIPTION	QTY.
1	1172190	LEVER - LOCK	1
2	1302291	PIVOT - LEVER LOCK	1
3	1172191	BASE - LEVER LOCK	1
4	2272052	ACTUATOR ASSEMBLY - LOCK BAR	1
5	1302289	CUP SPACER	1
6	1302326	SHIELD - LATCH	1
7	1302324	CATCH - DOOR LATCH	1
8	1302290	LATCH - LOCK LOWER	1
9	9992400	CYLINDER - LOCK	1
	3112163	VAN LOCK	OPT.
-	3112164	KEY (NOT SHOWN) VAN LOCK APPLICATION (NOT SHOWN)	1 OPT.

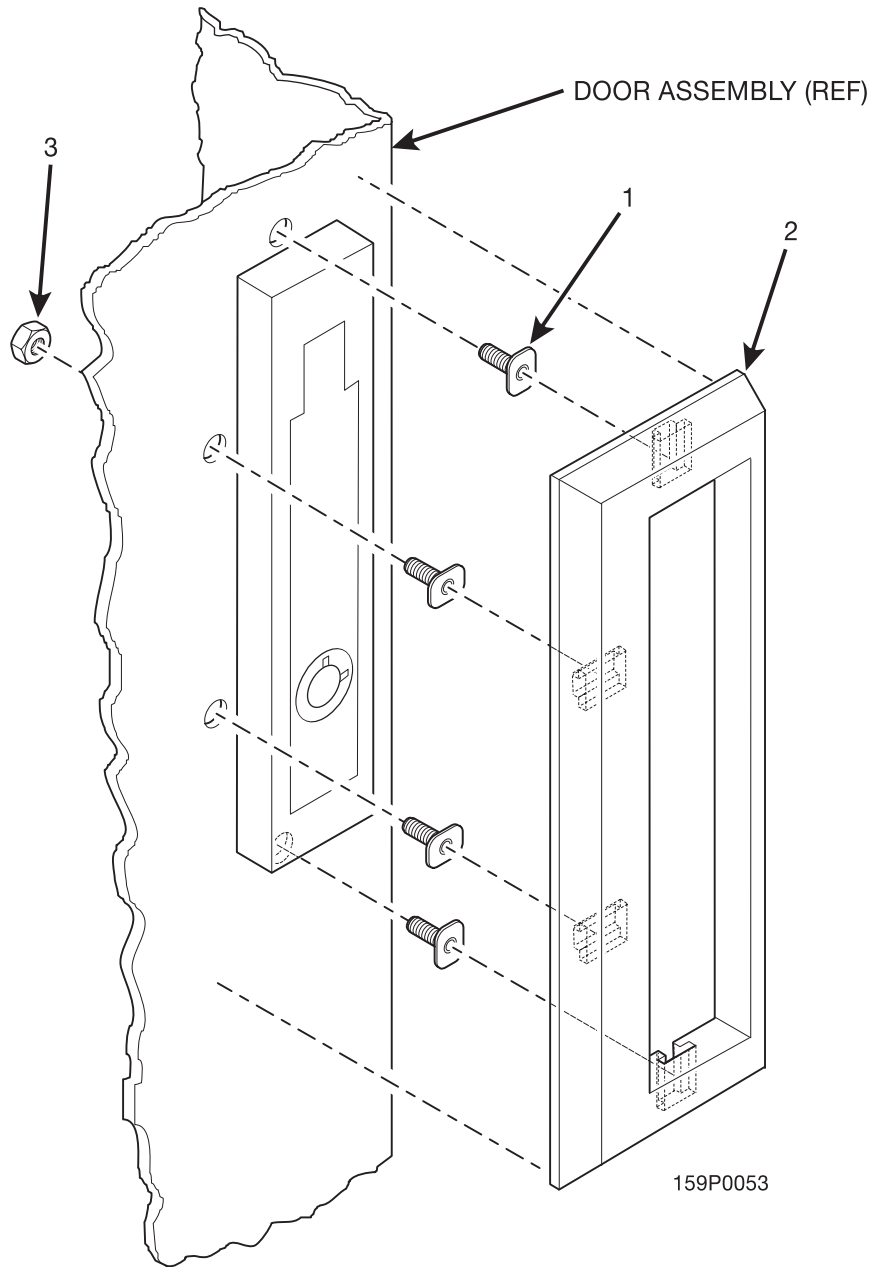


Figure 37. Door Lock Guard Accessory

Expanded Refreshment Center Parts Manual

TABLE 36. DOOR LOCK GUARD ACCESSORY

INDEX	PART NUMBER	DESCRIPTION	QTY.
-	1572188	DOOR LOCK GUARD KIT (INCLUDES ALL THE FOLLOWING ITEMS)	-
1	2222031	T-BOLT - TRIM	4
2	1572186	GUARD - LOCK	1
3	9900081	NUT - #8-32 - KEPS - ZINC PLATE	4
-	1572187	TEMPLATE AND INSTRUCTIONS (NOT SHOWN)	1

NOTE

This accessory requires drilling holes for T-bolts.

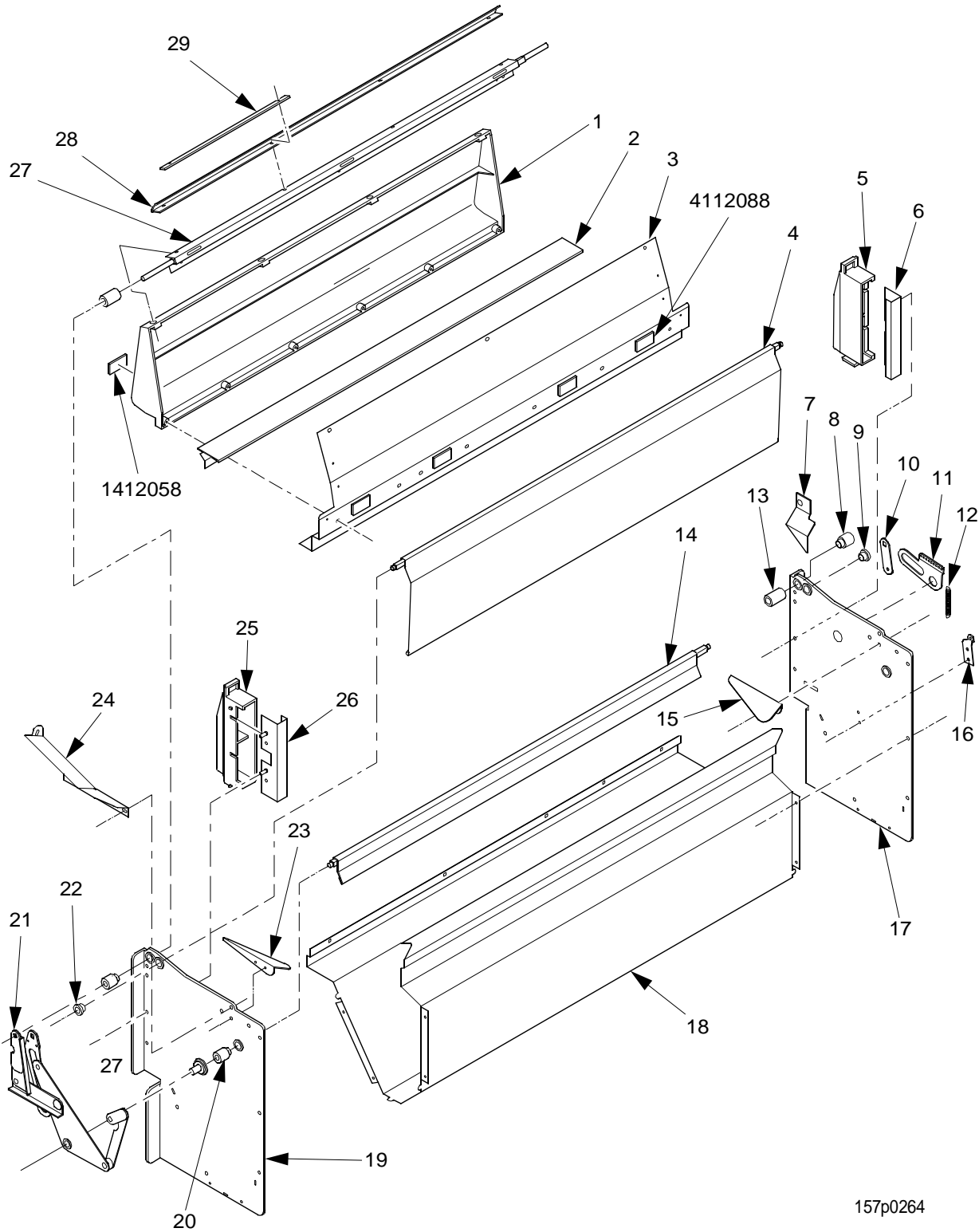
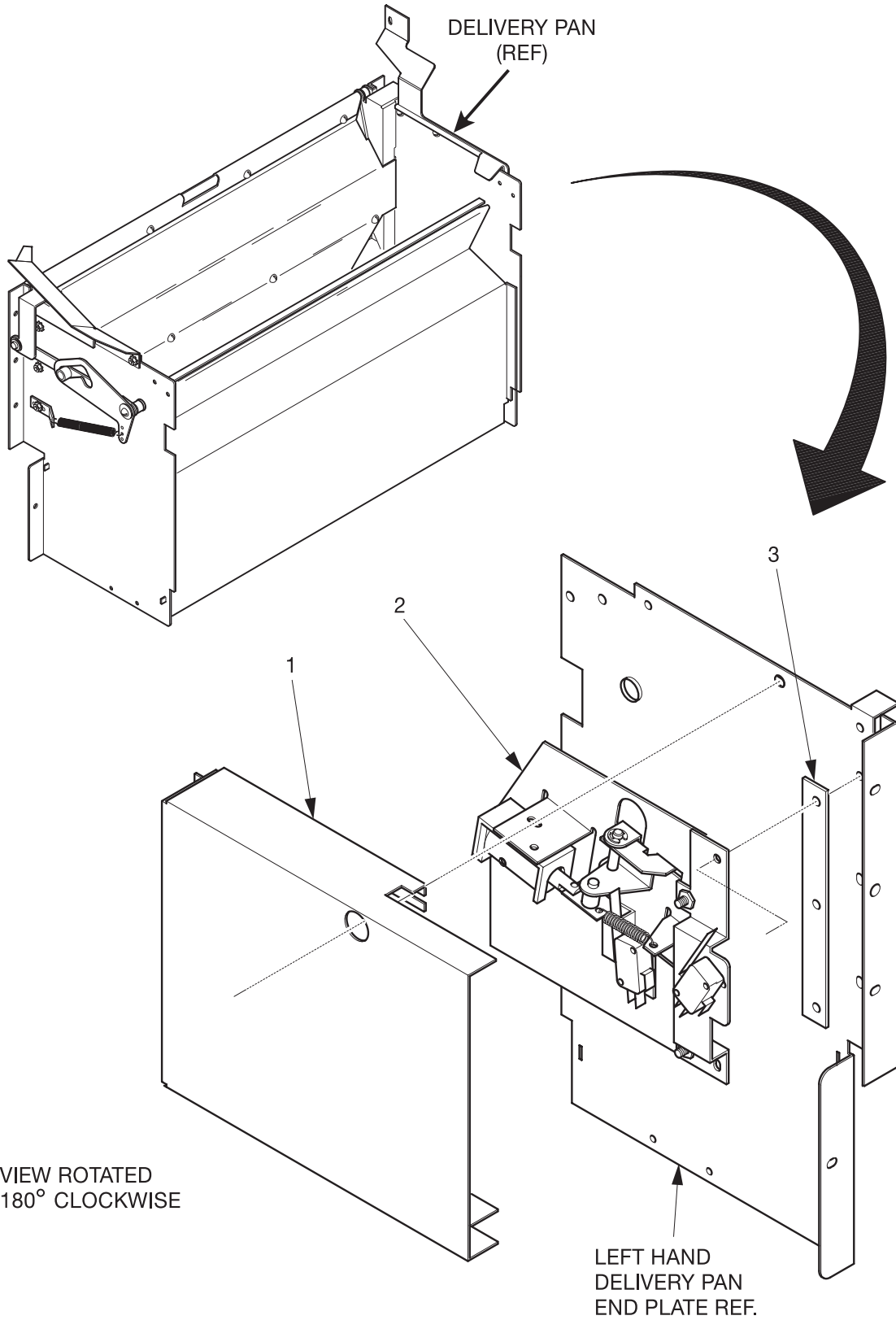


Figure 38. Delivery Pan Assembly (Part 1)

Expanded Refreshment Center Parts Manual

TABLE 37. DELIVERY PAN ASSEMBLY (PART 1)

INDEX	PART NUMBER	DESCRIPTION	QTY.
-	4972168	DELIVERY PAN ASSEMBLY - 40"	
1	4972102	DOOR - DELIVERY - 40"	
2	4972161	FILLER - FRONT - 40"	
3	4972160	BACK - DELIVERY DOOR - 40"	
4	4972205	DOOR ASSEMBLY - PILFERAGE - 40"	
5	1572229	FILLER - LEFT HAND	1
6	1572301	CHANNEL & STUD ASSEMBLY - L.H.	1
7	1582225	DEFLECTOR - L.H. - 32"	1
8	1572416	SLEEVE - DELIVERY DOOR	2
9	1572418	SLEEVE - PILFER & REAR DR. - L.H	2
10	1572353	ARM ASSEMBLY - SPRING ASSIST	1
11	1572423	ACTUATOR ASSEMBLY. - SPRING ASSIST	1
12	1572420	SPRING	1
13	1572315	SPACER - DELIVERY DOOR	2
14	4972183	DOOR ASSEMBLY - REAR - 40"	
15	1572322	DEFLECTOR - INNER - L.H.	1
16	1572421	ANCHOR - SPRING	1
17	1572425	SIDE PLATE ASSEMBLY - R.H.	1
18	4972190	WELD ASSEMBLY - DELIVERY PAN - 40"	
19	1572424	SIDE PLATE ASSEMBLY - L.H.	1
20	1572409	SPACER - SHAFT	1
21	1572410	LINKAGE ASSEMBLY - R.H.	1
22	1572417	SLEEVE - PILFER & REAR DR. - R.H	2
23	1572321	DEFLECTOR - INNER - R.H.	1
24	1572029	DEFLECTOR - PRODUCT - R.H.	1
25	1572230	FILLER - RIGHT HAND	1
26	1572300	CHANNEL & STUD ASSEMBLY - R.H.	1
27	4972211	CHANNEL ASSEMBLY - 40" - DELIVERY DO	
28	4972212	GUARD - DELIVERY DOOR - UPPER - 40	
29	4972213	STRIP - THREADED - 40"	



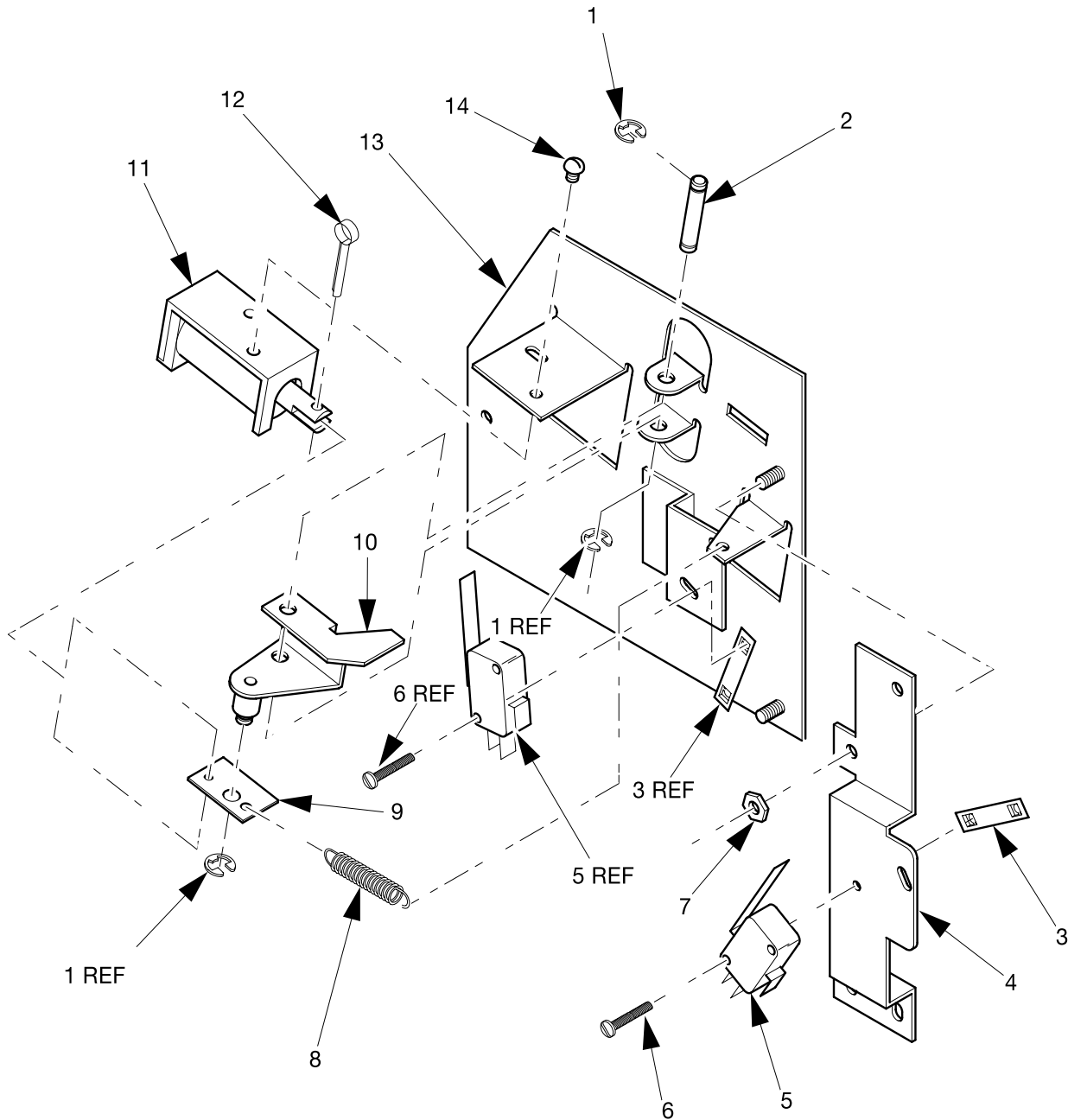
497p0082

Figure 39. Delivery Pan Assembly (Part 2) - Food Option Only

Expanded Refreshment Center Parts Manual

TABLE 38. DELIVERY PAN ASSEMBLY (PART 2) - FOOD OPTION ONLY

INDEX	PART NUMBER	DESCRIPTION	QTY.
1	402027	COVER - LATCH MECHANISM	1
2	-	DELIVERY PAN SOLDNOID LOCK ASSEMBLY (SEE FIGURE 40 FOR DETAILS)	OPT.
3	1572265	SPACER - SOLENOID LOCK	1



467p0008

Figure 40. Delivery Pan Solenoid Lock Assembly - Food Option Only

Expanded Refreshment Center Parts Manual

TABLE 39. DELIVERY PAN SOLENOID LOCK ASSEMBLY - FOOD OPTION ONLY			
INDEX	PART NUMBER	DESCRIPTION	QTY.
1	9900418	RETAINING RING - REINF. E-TYPE .187	3
2	4402022	PIN - LATCH	1
3	4302316	FASTENER - TWIN TYPE	2
4	1572264	BRACKET - SWITCH MOUNTING	1
5	9984633	SWITCH - LEVER - 1 7/8	2
6	1217160	#4-40 X 5/8 RHS MACHINE SCREW Z/Y	4
7	9900081	NUT #8032 KEPS - Z/P	2
8	1127808	SPRING	1
9	4402047	LINK - SOLENOID	1
10	4402023	LATCH AND STUD ASSEMBLY	1
11	4252030	SOLENOID - 24 VDC	1
12	9900098	COTTER PIN 3/32 X 3/4	1
13	1572266	PLATE AND BRACKET ASSEMBLY	1
14	9900090	SCREW #6-32 X 3/16 RHS - W/LKW	2

Expanded Refreshment Center Parts Manual

(SHOWN WITH FLAP DELIVERY PAN ASSEMBLY -
ROTARY DELIVERY PAN OPTION IS SIMILAR)

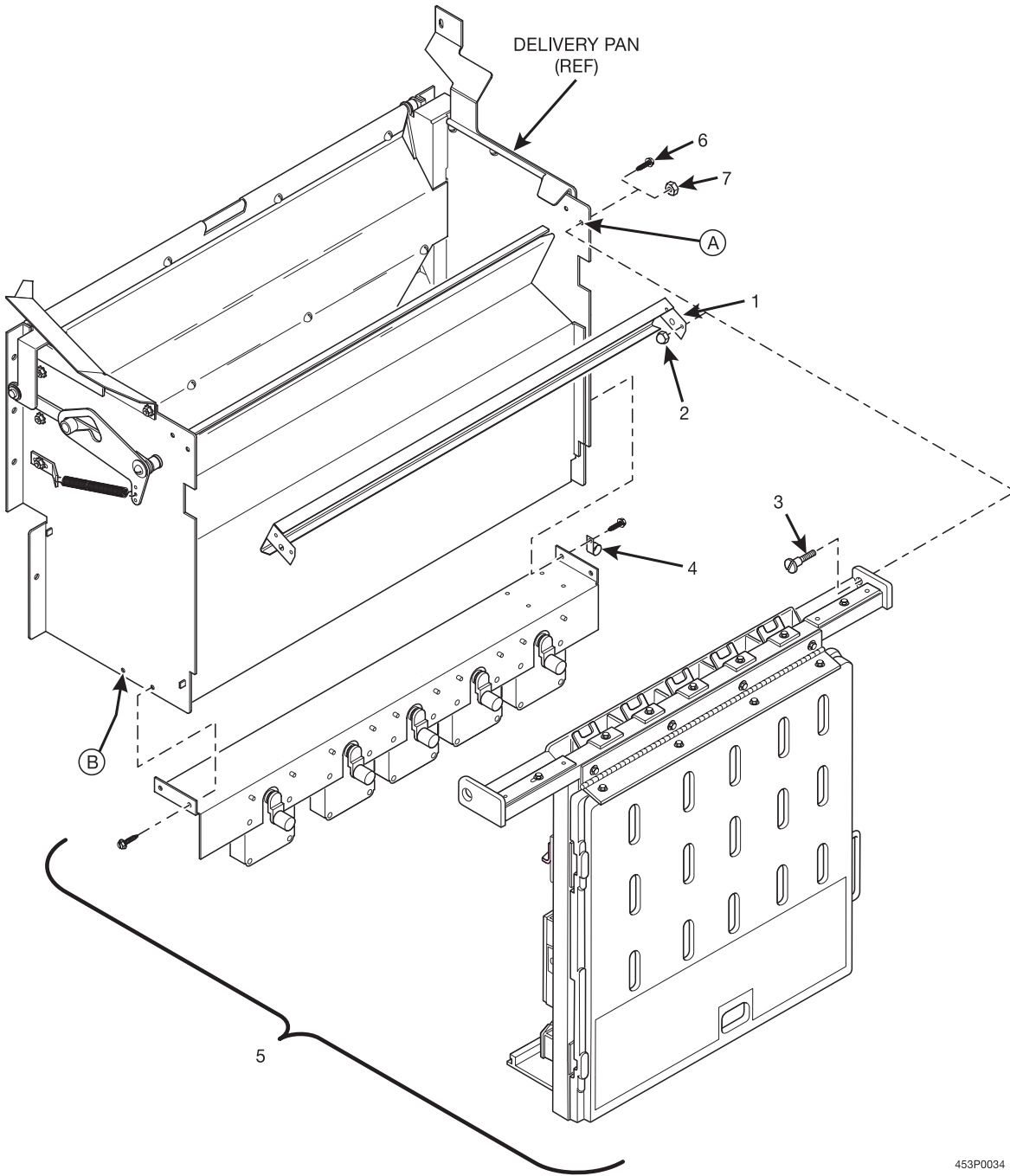


Figure 41. Gum and Mint Options (Can Modules Only (Part 1 of 2))

Expanded Refreshment Center Parts Manual

TABLE 40. GUM AND MINT OPTIONS (CAN MODULES ONLY (PART 1 OF 2))

INDEX	PART NUMBER	DESCRIPTION	QTY.
1	1472082	FILLER - DELIVERY PAN (FLAP DOOR WITHOUT GUM AND MINT)	1
	1472427	FILLER - UPPER REAR LONG (ROTARY DOOR WITHOUT GUM AND MINT)	
2	3108030	8-32 ACORN NUT BRASS NICKEL PL (WITHOUT GUM AND MINT)	2
3	1479052	STUD - PIVOT - G & M (WITH GUM AND MINT)	2
4	1452139	RETAINER HARNESS (WITH GUM AND MINT)	1
5	1577000	GUM & MINT COLUMN ASSEMBLY (WITH GUM AND MINT)	1
6	1451097	SCREW #8-32 X .31 HEX HD. TF - BLK (WITHOUT GUM AND MINT)	2
7	6133152	#10-32 X 5/8 SEMS TY 23 T/C EXT Z (WITH GUM AND MINT)	2

Expanded Refreshment Center Parts Manual

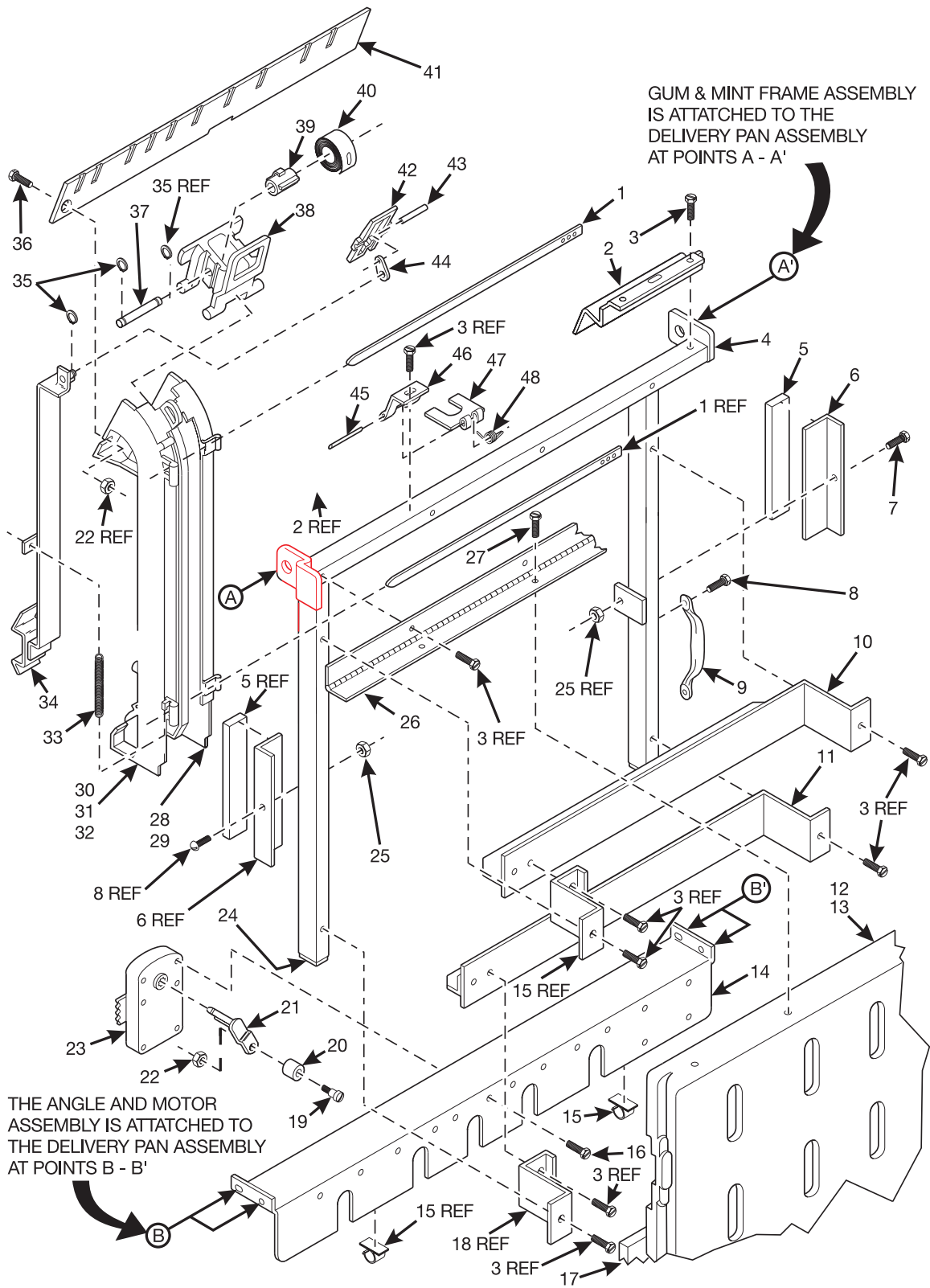


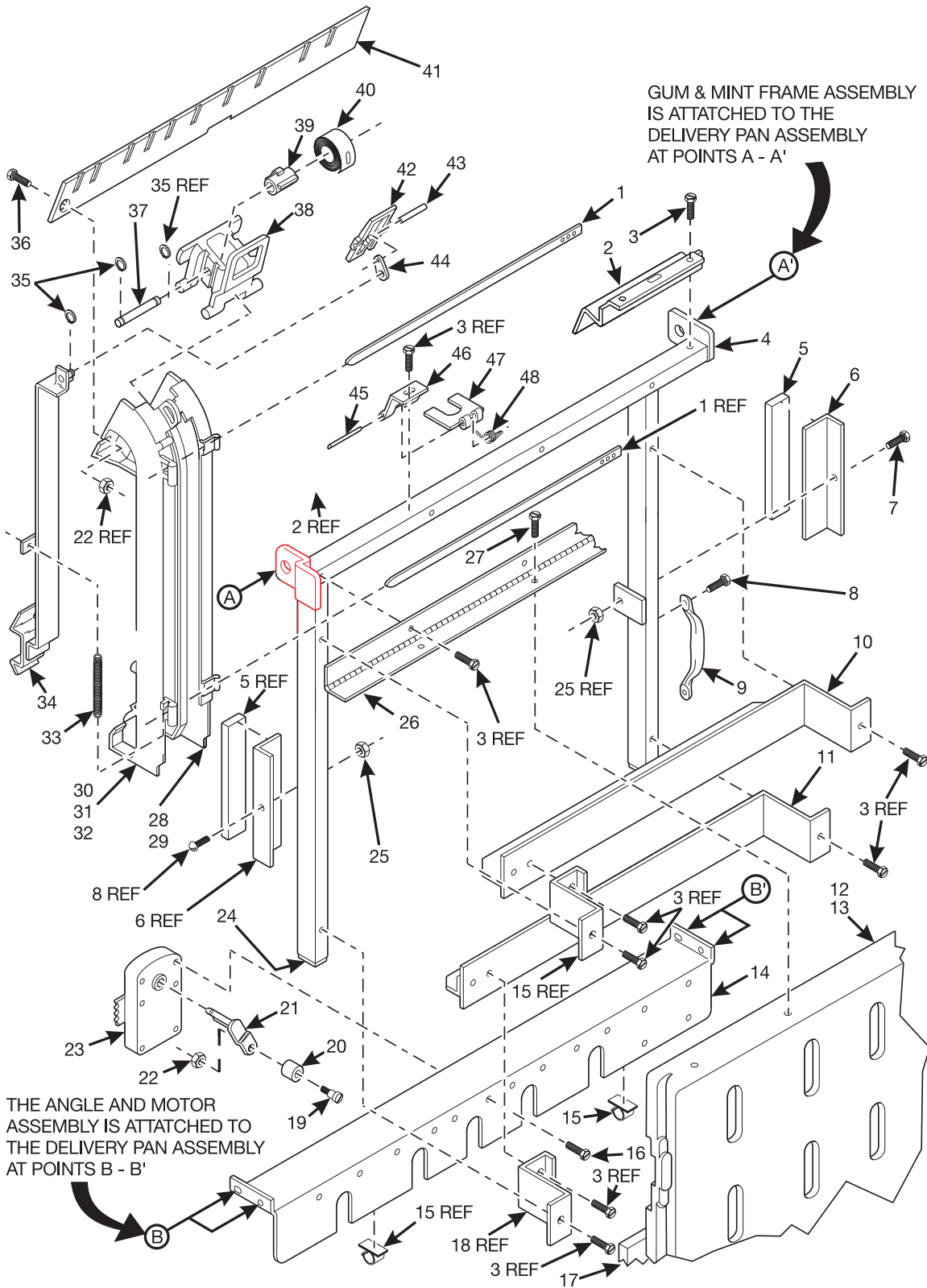
Figure 42. Gum and Mint Options (Can Modules Only) (Part 2 of 2)

Expanded Refreshment Center Parts Manual

TABLE 41. GUM AND MINT OPTIONS (CAN MODULES ONLY) (PART 2 OF 2)

INDEX	PART NUMBER	DESCRIPTION	QTY.
-	1577000	GUM & MINT COLUMN	-
1	1579053	RETAINER	3
2	1479103	FILLER - GUM & MINT	2
3	1451097	SCREW - #8-32 X .31 HEX HD. TF	-
4	1479136	FRAME ASSEMBLY - GUM & MINT	1
5	3122056	MAGNET RETAINER COIN CHANGER	2
6	1479117	ANGLE MAGNET	2
7	9900201	SCREW #8-32 X 5/16 RHS SEMS MACH ZINC	2
8	4041053	SCREW #10-32 X 3/8 PHS T/C W/LW	2
9	1479139	PULL - DOOR	1
10	1479089	SUPPORT ASSEMBLY - MAGAZINE - UPPER	1
11	1479092	SUPPORT ASSEMBLY - MAGAZINE - LOWER	1
12	1479101	COVER - GUM & MINT	1
13	1479124	LABEL - LOADING - GUM & MINT	1
14	1572351	ANGLE - MOTOR	1
15	6131143	CABLE CLAMP - RICHCO #KKC6	2
16	1457027	SCREW - #8-32 X .81 HEX HD. - T/F	10
17	1479119	MAGNET - RETAINER	2
18	1479095	BRACKET - MAGAZINE	2
19	1479062	STUD - DRIVE ARM	5
20	1479063	ROLLER - DRIVE ARM	5
21	1479145	ARM - DRIVE MOTOR	5
22	9900081	NUT - #8-32 KEPS ZINC PLATE	5
23	1577035	MOTOR & PC BOARD ASSEMBLY	5
24	1479120	CAPLUG - REC. 1/2 X 1	2
25	1412046	NUT - #8-32 MF 23TW832 BLOX	2
26	1479104	HINGE - COVER	1
27	1437204	SCREW - #8-10 X .38 HEX HD. TF	4
28	1479073	CHANNEL - GUM & MINT - LEFT	5
29	1479064	SPACER - COLUMN - GUM & MINT	2
30	1479076	CHANNEL - GUM & MINT - RIGHT - SMALL	3
31	1479077	CHANNEL - GUM & MINT - RIGHT - LARGE	2
32	1572040	LABEL - LOADING LINE - GUM & MINT	1
33	4246307	SPRING - HORIZONTAL SELECTOR ARM	5
34	1479123	DRIVE BAR & STUD ASSEMBLY	5
35	9900425	RETAINING RING - REINF. E TYPE .250	15
36	9900020	SCREW #8-32 X 1/2 RHS MACH. ZINC	1
37	1479099	PIN - PUSHER	5

Expanded Refreshment Center Parts Manual



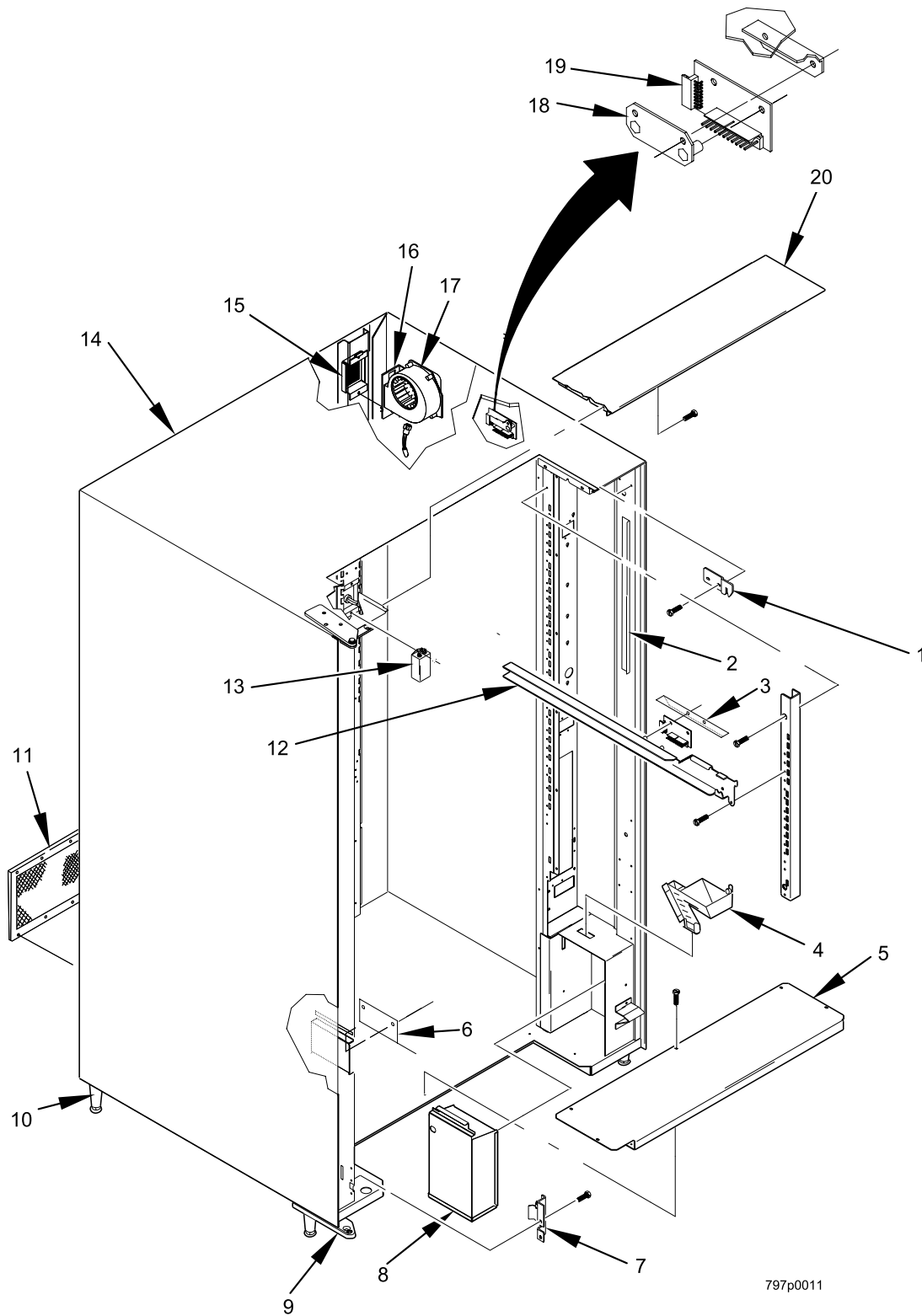
157P0116

Figure 42.. Gum and Mint Options (Can Modules Only) (Part 2 of 2) (Continued)

Expanded Refreshment Center Parts Manual

TABLE 41. GUM AND MINT OPTIONS (CAN MODULES ONLY) (PART 2 OF 2) (CONTINUED)

INDEX	PART NUMBER	DESCRIPTION	QTY.
38	1479079	PUSHER	5
39	1479080	SPOOL - SPRING	5
40	1479106	SPRING - PUSHER	5
41	1479105	WINDOW - GUM & MINT	1
42	1479078	EJECTOR - GUM & MINT	5
43	1479098	PIN - EJECTOR	5
44	1479097	LINK - EJECTOR	5
45	1479083	PIN - HINGE	5
46	1479082	HINGE - BACK	5
47	1479081	HINGE - FRONT	5
48	1479084	SPRING - HINGE	5



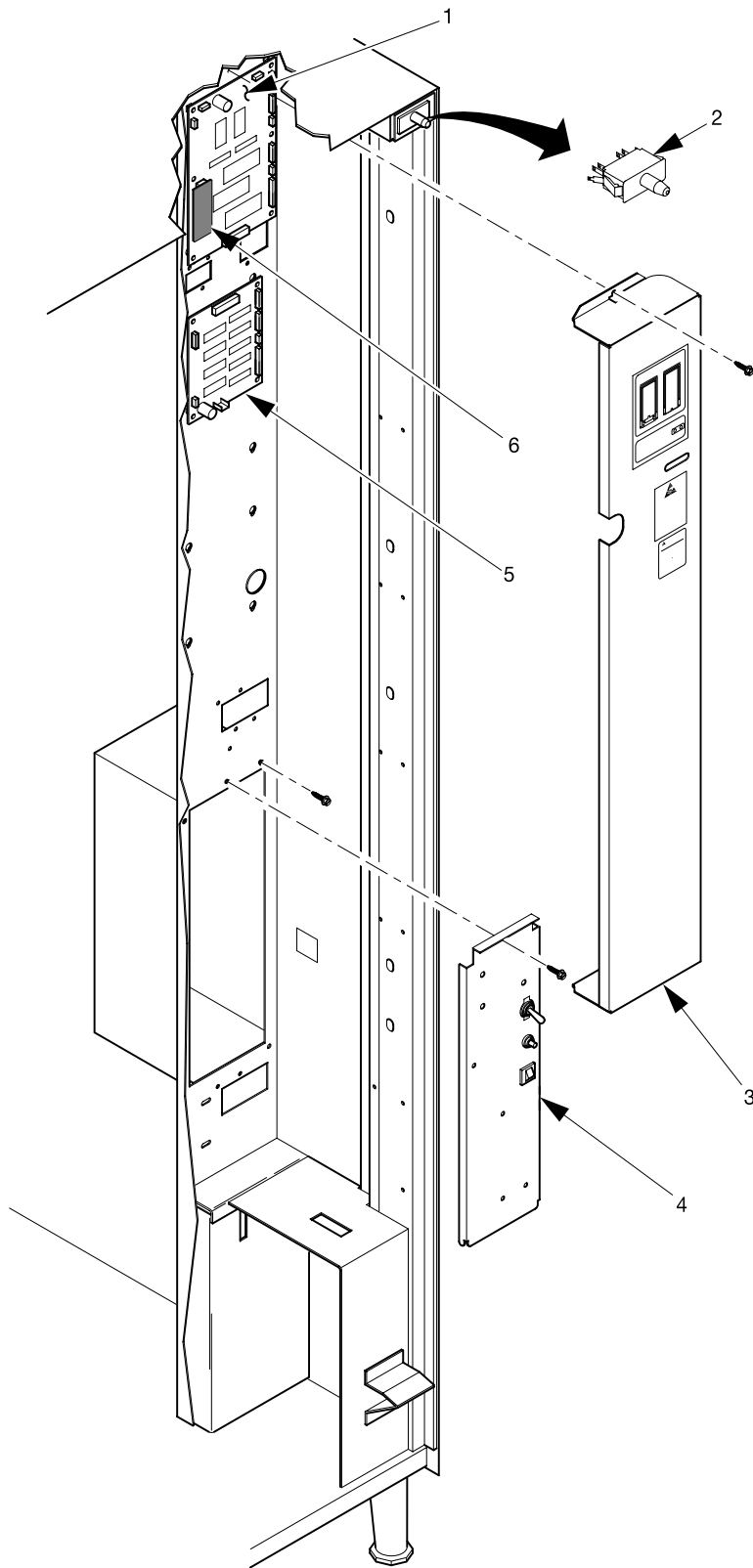
797p0011

Figure 43. Common Cabinet (Part 1 of 2)

Expanded Refreshment Center Parts Manual

TABLE 42. COMMON CABINET (PART 1 OF 2)

INDEX	PART NUMBER	DESCRIPTION	QTY.
1	1571074	LOCK ARM - CABINET	2
2	1571022	STOP - MONETARY PANEL	2
3	1571229	SHIELD - TRAY RAIL/PCB	OPT.
4	6231242	CHUTE - PAYOUT	1
5	4971042	BASE FILLER ASSEMBLY - N.V. BLACK	1
	4971044	BASE FILLER ASSEMBLY - MILLENNIA GRAY	
6	4841020	DEFLECTOR - RC-2 WITH MODULE	1
7	1571090	PLATE ASSEMBLY - DOOR CHECK	1
8	1571029	MONEY BOX ASSEMBLY	1
9	6231163	LEG, HINGE, AND LEVELER ASSEMBLY	1
10	1471237	LEG AND LEVELER ASSEMBLY - CABINET	3
11	4971007	SCREEN ASSEMBLY - VENT	1
12	1571235	TRAY GUIDE RAIL ASSEMBLY - R.H. (TOP AND MIDDLE)	2
	4971049	TRAY GUIDE RAIL ASSEMBLY - R.H. (BOTTOM)	1
	1571181	TRAY GUIDE RAIL ASSEMBLY - L.H. (TOP AND MIDDLE)	2
	4971026	TRAY GUIDE RAIL ASSEMBLY - L.H. (BOTTOM)	1
13	9989110	FILTER - PANEL LINE - 3MI	1
14	4971047	CABINET WELD - N.V. BLACK	1
	4971048	CABINET WELD - MILLENNIA GRAY	
15	9989637	JUMPER - BLOWER	1
	1471054	BRACKET & SCREEN ASSEMBLY - EXHAUST	
16	1471398	BRACKET - EXHAUST FAN	1
17	6231548	BLOWER ASSEMBLY - 115 V	1
	6401088	BLOWER ASSEMBLY - 230 V	
18	1571175	PLATE - PCB RAIL - MOUNTING	1
19	1596012	PCB ASSEMBLY - TRAY	1
20	4971041	TOP FILLER ASSEMBLY - N.V. BLACK	1
	4971043	TOP FILLER ASSEMBLY - MILLENNIA GRAY	
THE MONEY BOX LOCK ACCESSORY INCLUDES THE FOLLOWING:			
-	1101906	MONEY BOX LOCK - CHICAGO - LK #1801	1
-	2221920	KEY - CHICAGO LOCK - #1801	1
-	2222603	NUT - LOCK RETAINING	1
-	2222604	WASHER - LOCK BARREL - #2693	1



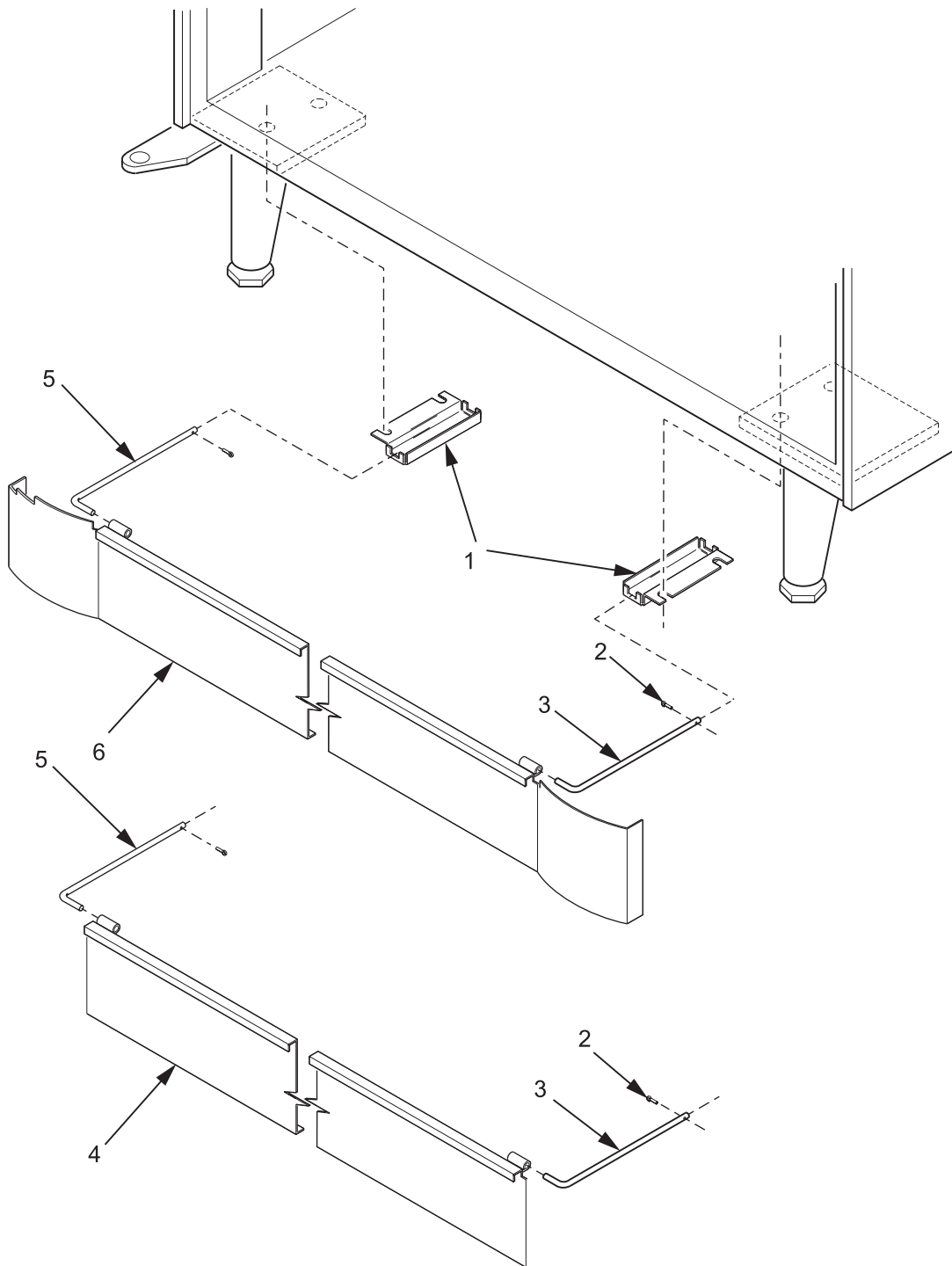
785p0007

Figure 44. Common Cabinet (Part 2 of 2)

Expanded Refreshment Center Parts Manual

TABLE 43. COMMON CABINET (PART 2 OF 2)

INDEX	PART NUMBER	DESCRIPTION	QTY.
1	1586017	MAIN CONTROLLER WITH EPROM	1
2	1211141	SWITCH INTERLOCK (115V MACHINES)	1
	2366135	SWITCH INTERLOCK (230V MACHINES)	
3	1571112	COVER - CONTROL/INTERFACE PCB	1
4	-	POWER PANEL ASSEMBLY	1
5	1576008	PCB ASSEMBLY - SNACK INTERFACE	1
6	9989687	PCB ASSEMBLY - EXECUTIVE INTERFACE (USED WITH EXEC COIN MECH. OPTION)	1



797p0008

Figure 45. Base Plate Assembly

Expanded Refreshment Center Parts Manual

TABLE 44. BASE PLATE ASSEMBLY

INDEX	PART NUMBER	DESCRIPTION	QTY.
1	6231087	BASE PLATE BRACKET	2
2	9900098	COTTER PIN	2
3	1411194	SLIDE - R.H.	1
4	4851082	BASE PLATE ASSEMBLY - MILLENNIA	1
	4111091	BASE PLATE ASSEMBLY - STANDARD	
5	1411195	SLIDE - L.H.	1

TABLE 45. CABINET INSULATION (MODEL 798 ONLY)

PART NUMBER	DESCRIPTION	QTY.
1451097	SCREW - #8-32 X .31 - HEX HD - T/F - BLACK	
4611007	SHUTTER - AIR DUCT	
4611013	RETAINER - TOP INSULATION	1
4614126	GASKET - AIR DUCT	
4641025	COVER - AIR DUCT - BLACK	
4641054	INSULATION - AIR DUCT - RIGHT SIDE - BLACK	
4641059	EXTENSION - AIR DUCT - WHITE	
4774204	SEAL - 4614927 - 18" LONG	1
4911004	COVER AND DUCT ASSEMBLY - BLACK INSULATION	1
4911005	INSULATION - BLACK - LEFT HAND SIDE - FULL	1
4981001	ANGLE - INSULATION - REAR	2
4981002	SEAL - CABINET BACK - VERTICAL	2
4981004	SEAL - CABINET SIDE	2
4981006	GASKET - AIR DUCT - .38 THICK	
4981010	SEAL - CABINET BACK - HORIZONTAL	2
4981021	INSULATION - CABINET TOP - BLACK	1
4981025	INSULATION - R.H. SIDE PIECE - BLACK - 4 INCHES WIDE	1
4991022	INSULATION - CABINET BACK - 40 INCH - BLACK	1

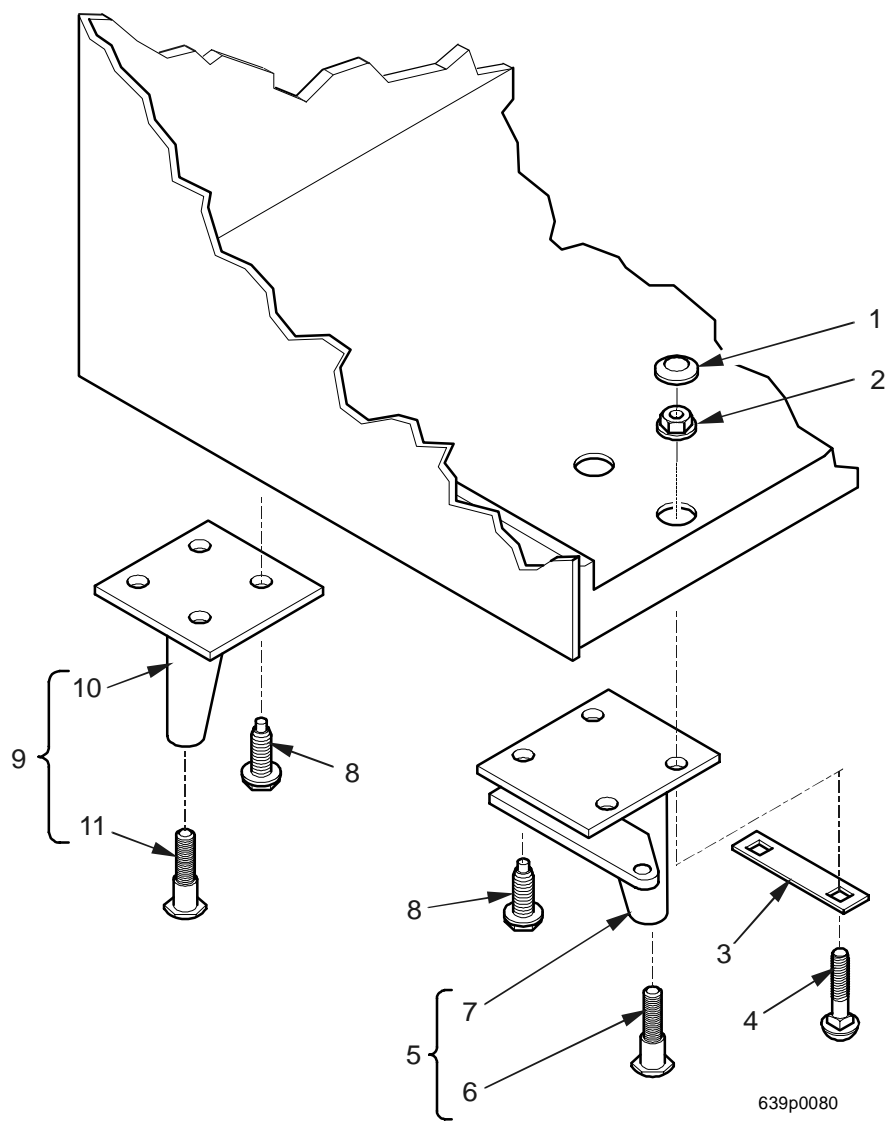


Figure 48. Leg, Leveler, and Leg and Hinge Assemblies

Expanded Refreshment Center Parts Manual

TABLE 47. LEG, LEVELER, AND LEG AND HINGE ASSEMBLIES

INDEX	PART NUMBER	DESCRIPTION	QTY.
1	6231034	PLUG - HOLE (NOT USED IN ALL APPLICATIONS)	2
2	1172021	NUT - 1/4-20 WHIZ-LOCK	2
3	6231203	PLATE - HINGE LEG BOLT	1
4	1211112	TRAY BOLT	2
5	6231163	LEG, HINGE, AND LEVELER ASSEMBLY	1
6	1471098	LEVELER - CABINET	1
7	1571115	LEG AND HINGE ASSEMBLY	1
8	9900218	SCREW - # 5/16 X 1 W/LOCKING RING	14
9	1471237	LEG AND LEVELER ASSEMBLY - CABINET	3
10	1571127	LEG ASSEMBLY - CABINET	1
11	1471098	LEVELER - CABINET	1

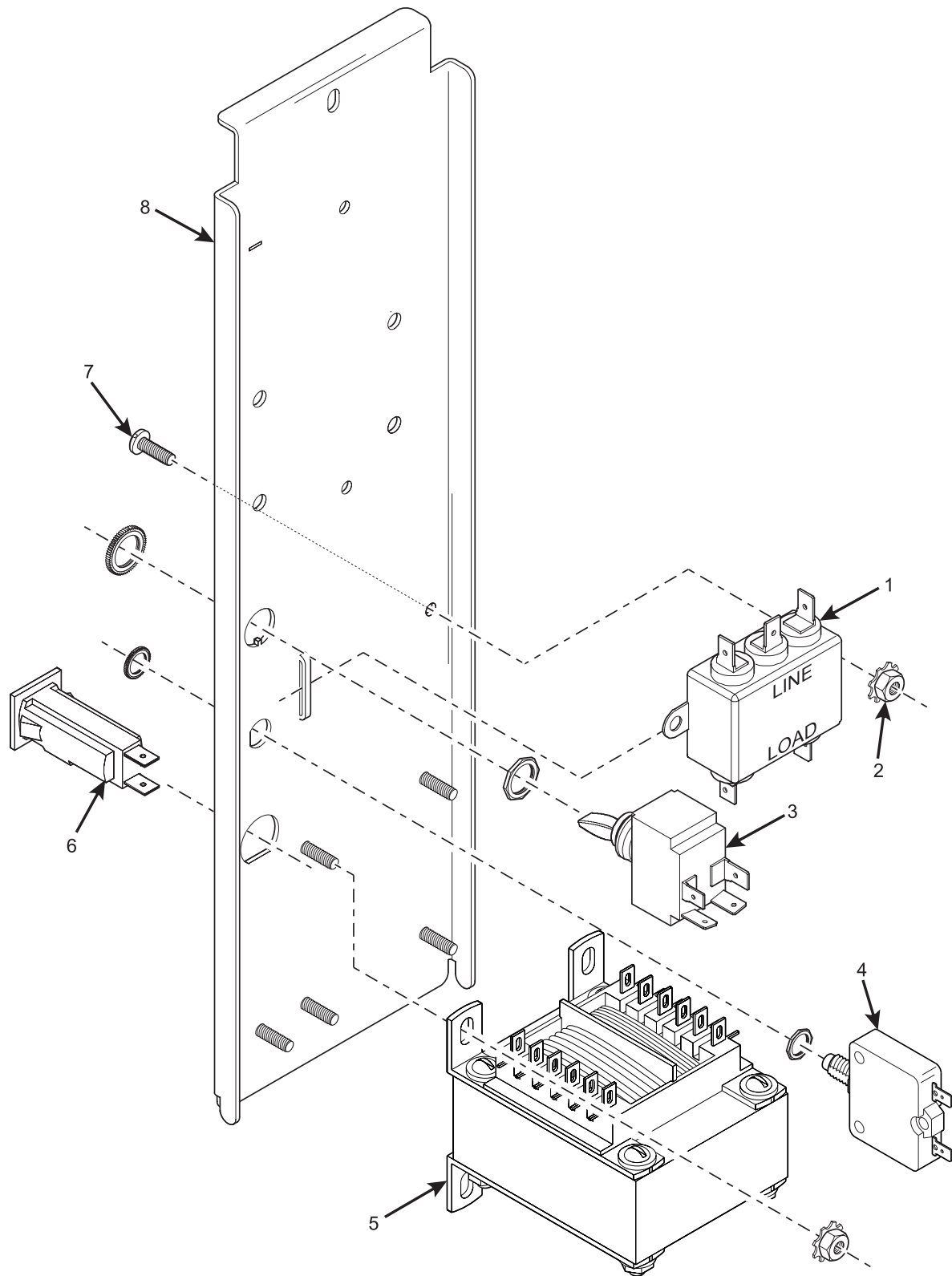
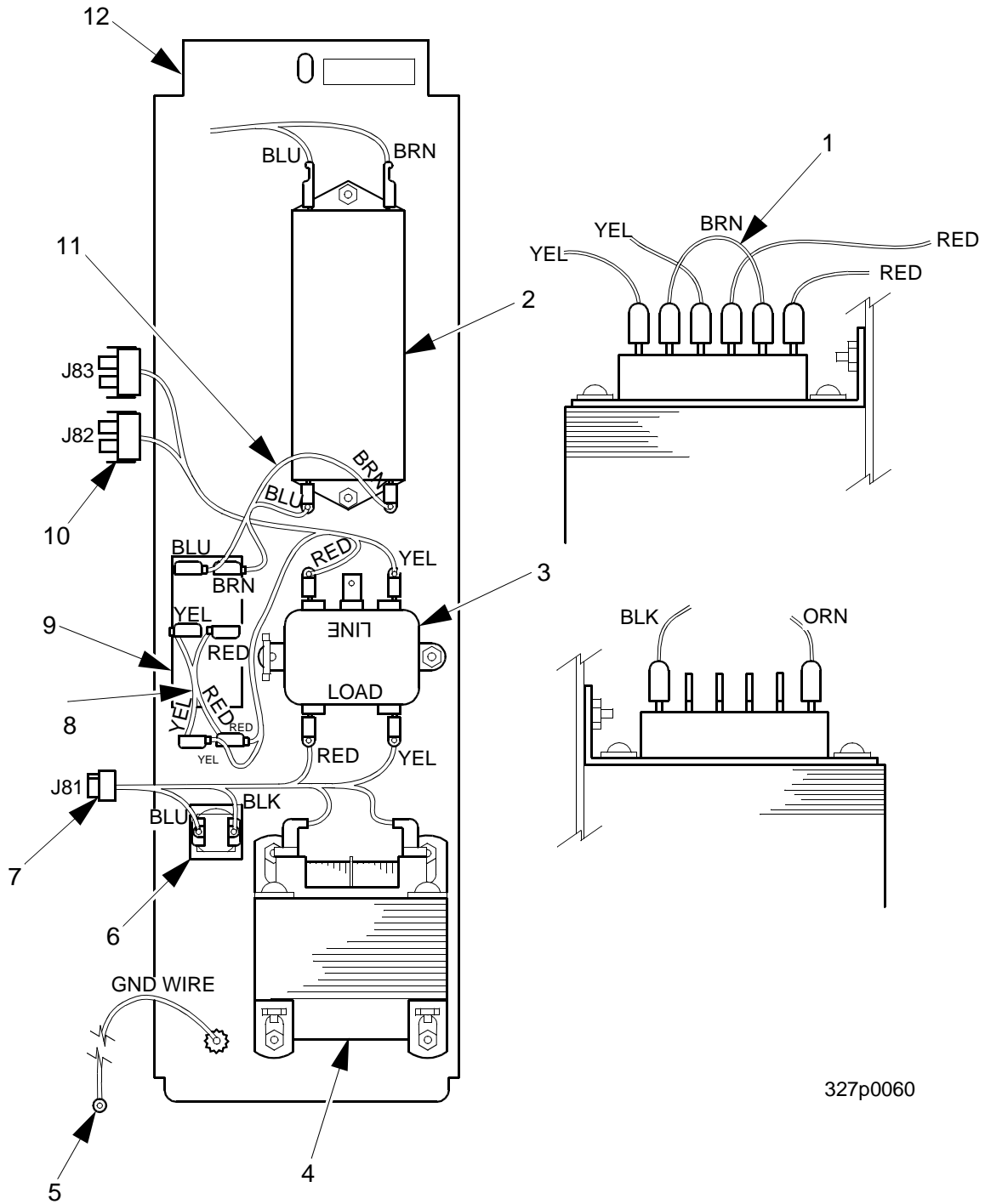


Figure 49. Power Panel Assembly - All 115 V

Expanded Refreshment Center Parts Manual

TABLE 49. POWER PANEL ASSEMBLY - ALL 115 V

INDEX	PART NUMBER	DESCRIPTION	QTY
-	1701015	POWER PANEL ASSEMBLY - DOMESTIC	-
1	9989100	INTERFERENCE FILTER	1
2	9900081	NUT - #8-32 KEPS ZINC PLATE	6
3	9984629	SWITCH - TOGGLE - DPST - 20 AMP	1
4	9989672	BREAKER - 15 AMP	1
5	9989046	24 V TRANSFORMER - DUAL PRI. - .187 TERM	1
6	9989674	CIRCUIT BREAKER - 4 AMP	1
7	1211110	8-32 X 1/4 RHS MACH SCREW - Z.P.	6
8	1701025	PLATE - HOUSING - PANEL	1



327p0060

Figure 50. Power Panel Assembly - 230 V - France, Germany, Sweden

Expanded Refreshment Center Parts Manual

TABLE 50. POWER PANEL ASSEMBLY - 230 V - FRANCE, GERMANY, SWEDEN

INDEX	PART NUMBER	DESCRIPTION	QTY
-	4521041	POWER PANEL ASSY-230V FR/GER	REF
1	4279001	JUMPER-230V-XFMR PRI	1
2	9989110	FILTER-POWER LINE-EMI	1
3	9989100	INTERFERENCE FILTER	1
4	9989046	24V XFMR-DUAL PIR.-.187 TERM	1
5	9984094	WIRE-GROUND-14"	1
6	9989674	CIRCUIT BREAKER-4 AMP	1
7	1709001	JUMPER-TRANSFORMER-FOREIGN	1
8	4529002	JUMPER-FRENCH/GERMAN SWITCH	1
9	9984627	CIRCUIT BREAKER/SWITCH-16 AM	1
10	1709000	HARNESS-POWER PANEL-FOREIGN	1
11	6849015	JUMPER-POWER SW	1
12	4521036	PLATE-HOUSING-PANEL-FR/GER.	1

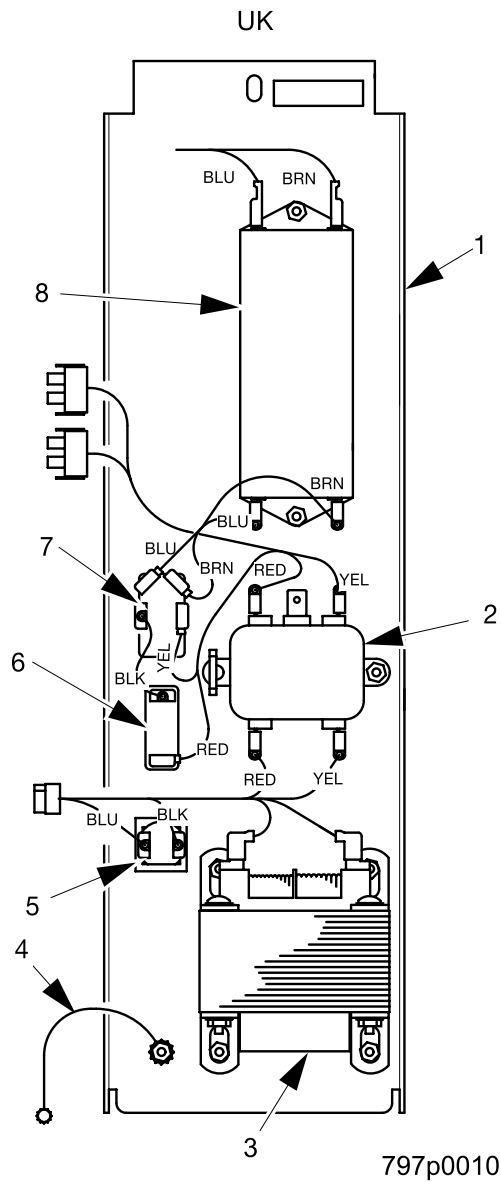


Figure 51. Power Panel Assembly - 230 Volt (Australia, Brazil, Latin America, New Zealand, South Africa, U.K., Navy Euro, China)

Expanded Refreshment Center Parts Manual

TABLE 48. POWER PANEL ASSEMBLY - 230 VOLT (AUSTRALIA, BRAZIL, LATIN AMERICA, NEW ZEALAND, SOUTH AFRICA, U.K., NAVY EURO, CHINA)

INDEX	PART NUMBER	DESCRIPTION	QTY.
-	4521020	POWER PANEL ASSEMBLY - 230 VOLT - U.K.	-
1	1701025	PLATE - HOUSING PANEL	1
2	9989100	INTERFACE FILTER	1
3	9989046	24 V XFMR - DUAL PRI. - .187 TERM.	1
4	9984165	JUMPER - GROUND WIRE	1
5	9989674	CIRCUIT BREAKER - 4 AMP	1
6	9989672	BREAKER - 15 AMP	1
7	9989629	SWITCH - TOGGLE - DPST - 20 AMP	1
8	9989100	FILTER - POWER LINE - EMI	1

Expanded Refreshment Center Parts Manual

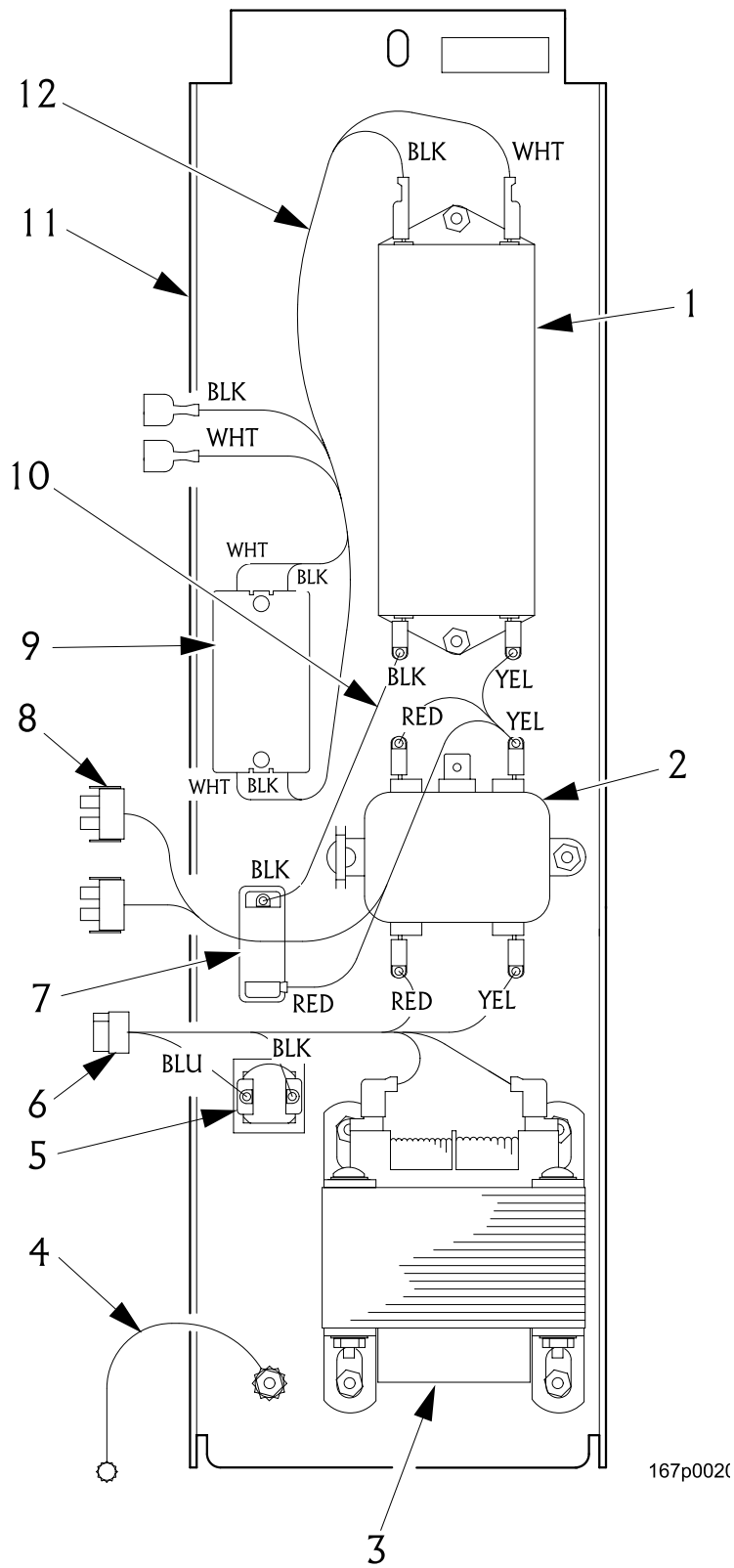
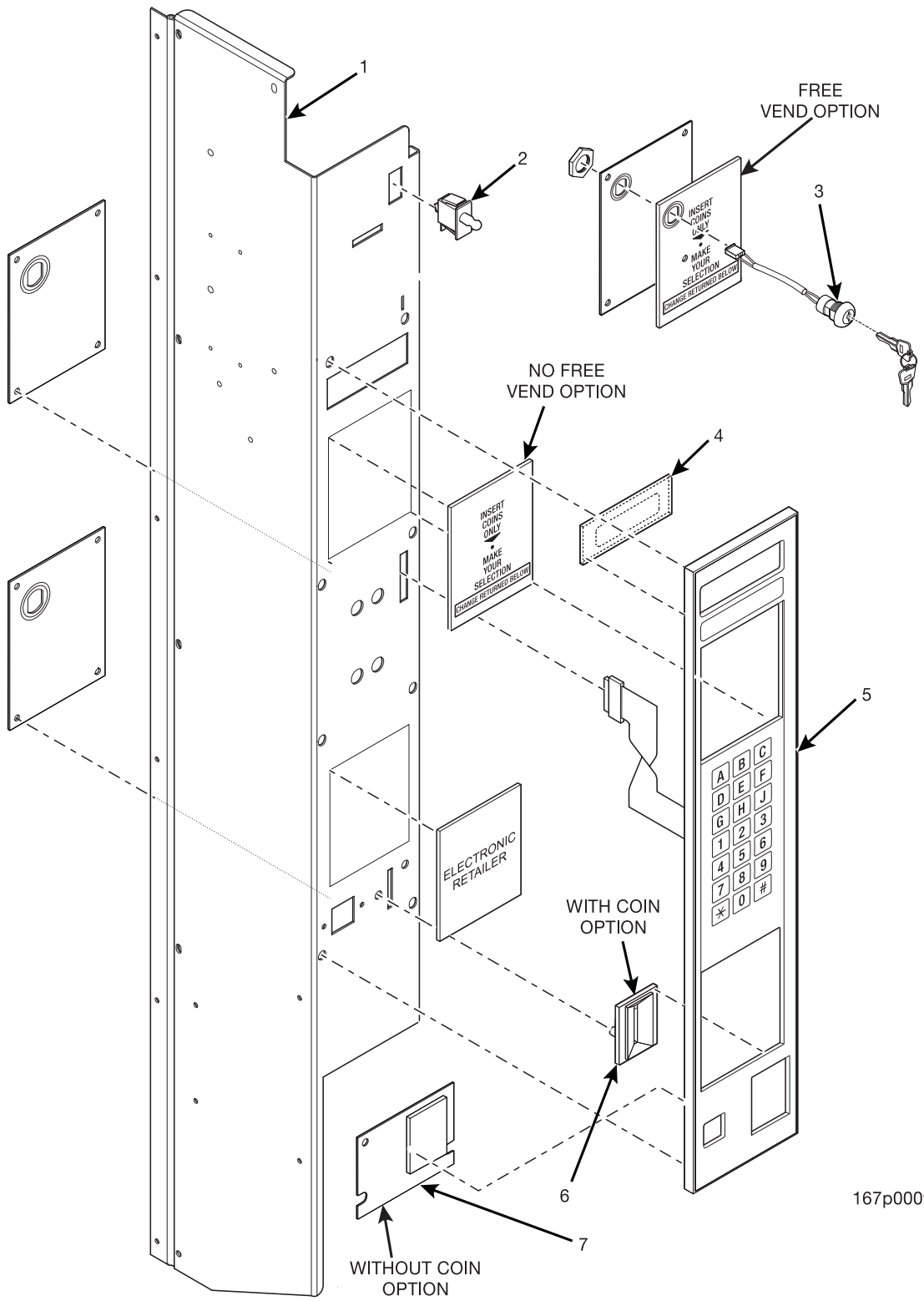


Figure 52. Power Panel Assembly - 100 Volt - 50/60 Hz. (Japan)

Expanded Refreshment Center Parts Manual

TABLE 49. POWER PANEL ASSEMBLY - 100 VOLT - 50/60 HZ. (JAPAN)

INDEX	PART NUMBER	DESCRIPTION	QTY.
-	1571203	POWER PANEL ASSEMBLY - 100 VOLT - 50/60 HZ	-
1	9989110	FILTER - POWER LINE - EMI	1
2	9989100	INTERFACE FILTER	1
3	9989046	24 V TRANSFORMER - DUAL POWER - .187 TERM.	1
4	9984165	JUMPER - GROUND WIRE	1
5	9989674	CIRCUIT BREAKER - 4 AMP	1
6	1709001	JUMPER - TRANSFORMER - INTERNATIONAL	1
7	9989672	BREAKER - 15A	1
8	1709000	HARNESS - POWER PANEL - INTERNATIONAL	1
9	9989529	LEAKAGE CURRENT BREAKER	1
10	1709006	JUMPER - MAIN SWITCH TO BREAKER	1
11	1571204	PLATE - HOUSING - PANEL - JAPANESE	1
12	1579051	JUMPER - GFI & FILTER	1



167p0009

Figure 56. Monetary Panel Assembly (Part 1 of 3)

Expanded Refreshment Center Parts Manual

TABLE 55. MONETARY PANEL ASSEMBLY (PART 10F 3)

INDEX	PART NUMBER	DESCRIPTION	QTY.
1	1575094	MONETARY PANEL WELD ASSEMBLY - NV BLACK	1
	4875001	MONETARY PANEL WELD ASSEMBLY - SELECTA WHITE	
2	1401110	SWITCH - SERVICE	1
3	9989639	SWITCH ASSEMBLY - FREE VEND	1
4	1572013	LENS - DISPLAY	1
5	1575098	FACEPLATE ASSEMBLY (WITH COIN OPTION)	1
	1575099	FACEPLATE ASSEMBLY (NO COIN OPTION)	
6	1472223	COIN INSERT (WITH COIN OPTION)	1
7	-	LOWER MONETARY POSITION	-

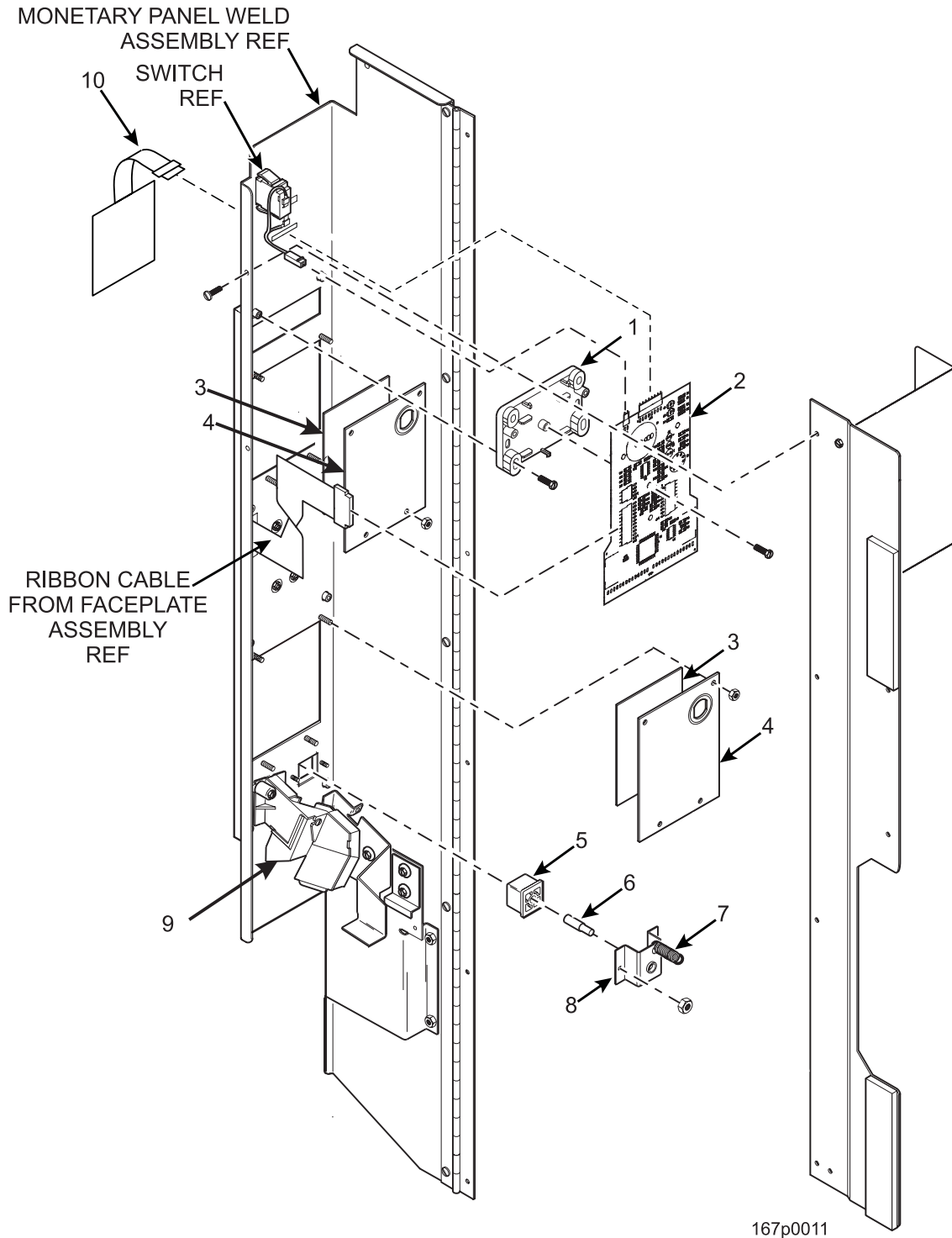


Figure 57. Monetary Panel Assembly (Part 2 of 3)

Expanded Refreshment Center Parts Manual

TABLE 57. MONETARY PANEL ASSEMBLY (PART 2 OF 3)

INDEX	PART NUMBER	DESCRIPTION	QTY.
1	1475099	BRACKET - PCB DISPLAY	1
2	9989685	PCB ASSEMBLY - DISPLAY	1
3	1575020	INSERT - INSTR - BILLS - ENGLISH (WITH BILL VALIDATOR OPTION) (U.S.)	1
	1575013	INSERT - INSTR - COINS ONLY - ENG (U.K.)	
	1575049	INSERT - INSTR - LOWER - UK - COINS (U.K.)	
	1572015	INSERT - INSTRUCTIONS - FRENCH	
	1672027	INSERT - INSTRUCTIONS - LOWER - EUROCOIN (W/NO BILL VALIDATOR OPTION)	
1572014	INSERT - INSTRUCTIONS - GERMAN		
4	1575048	PLATE - INSERT BACKING	OPT.
5	1475026	BUTTON - COIN RETURN	1
6	1475072	SHAFT - RETURN BUTTON	1
7	1127808	SPRING - SHELF RESET	1
8	1571079	BRACKET - COIN RETURN BUTTON	1
9	1575003	COIN CHUTE ASSEMBLY	1
10	6335002	SERVICE KEYPAD ASSEMBLY	1

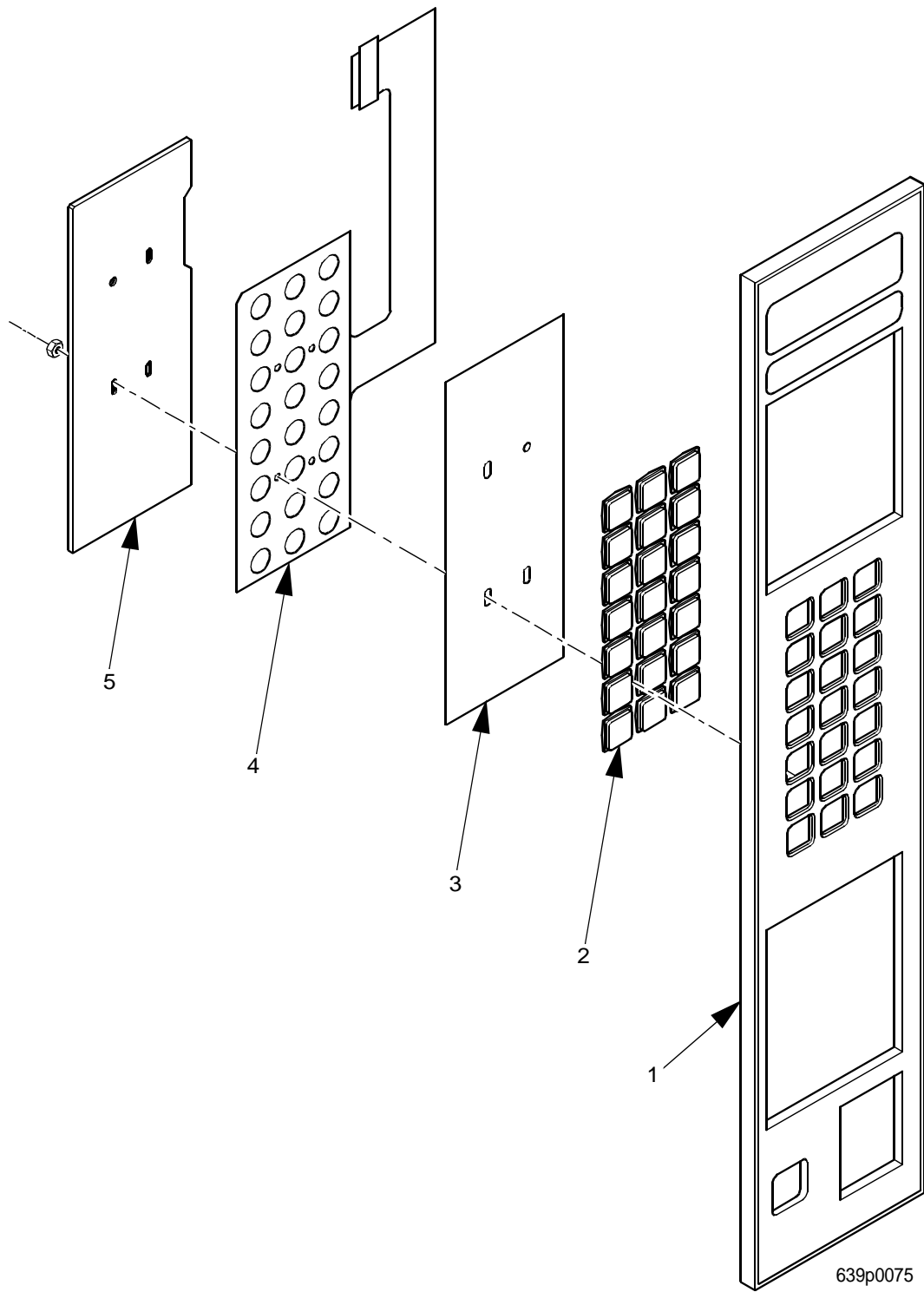


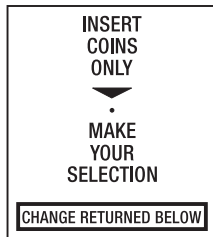
Figure 58. Monetary Panel Assembly (Part 3 of 3)

Expanded Refreshment Center Parts Manual

TABLE 57. MONETARY PANEL ASSEMBLY (PART 3 OF 3)

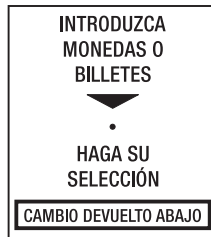
INDEX	PART NUMBER	DESCRIPTION	QTY
-	1575098	FACE PLATE ASSEMBLY - WITH COIN	-
-	1575099	FACEPLATE ASSEMBLY - NO COIN	-
1	1575001	SELECTION PANEL (WITH COIN OPTION)	1
1	1575043	FACE PLATE ASSEMBLY (NO COIN OPTION)	1
2	1472251	LENS - PUSHBUTTON	21
3	1575010	LETTER SHEET - SELECTION SWITCH	1
4	9984630	MEMBRANE SWITCH ASSEMBLY -SELECT	1
5	1575091	PLATE - SELECT SWITCH - BACK UP	1
6	1475089	1/8" NUT - SELF-THREADING	4

Expanded Refreshment Center Parts Manual



COINS & BILLS:
U.S.,
CHINA,
SAUDI
ARABIA

1575012



COINS & BILLS:
SPANISH
LANGUAGE

1575018



COINS ONLY:
U.S.,
AUSTRALIA,
NEW ZEALAND,
U.K.,
SINGAPORE

1575013



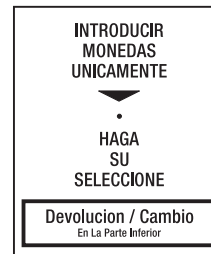
COINS ONLY:
FRANCE

1572015



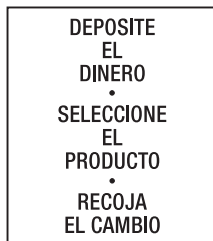
COINS ONLY:
SWEDEN

1575052



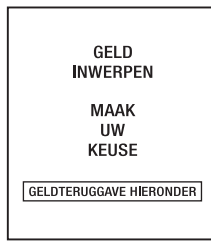
COINS ONLY:
SPANISH
LANGUAGE

1575014



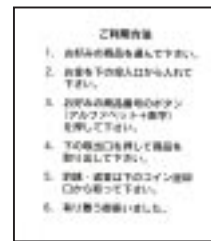
COINS ONLY:
LATIN
AMERICA,
ARGENTINA,
MEXICO

1575015



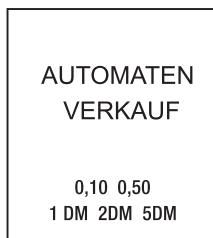
COINS ONLY:
BELGIUM

1575082



COINS ONLY:
JAPAN

1575066



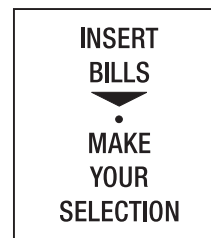
COINS ONLY:
GERMANY

1575038



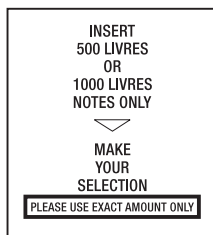
BILLS ONLY:
VENEZUELA

1575017



BILLS ONLY:
KUWAIT

1575020



BILLS ONLY:
LEBANON

1575021



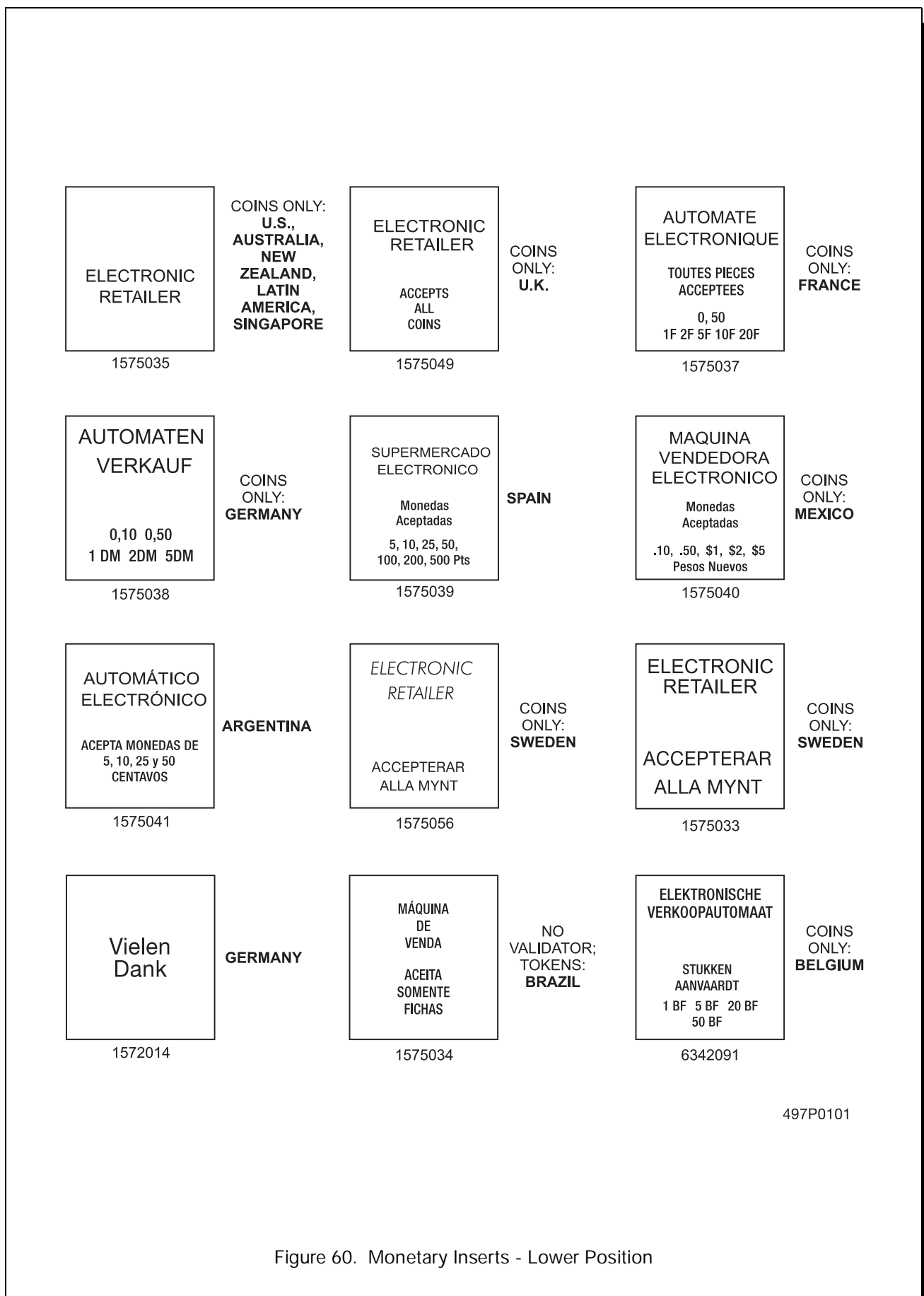
NO
VALIDATOR;
TOKENS:
BRAZIL

1575016

497P0100

Figure 59. Monetary Inserts - Upper Position

Expanded Refreshment Center Parts Manual



497P0101

Figure 60. Monetary Inserts - Lower Position

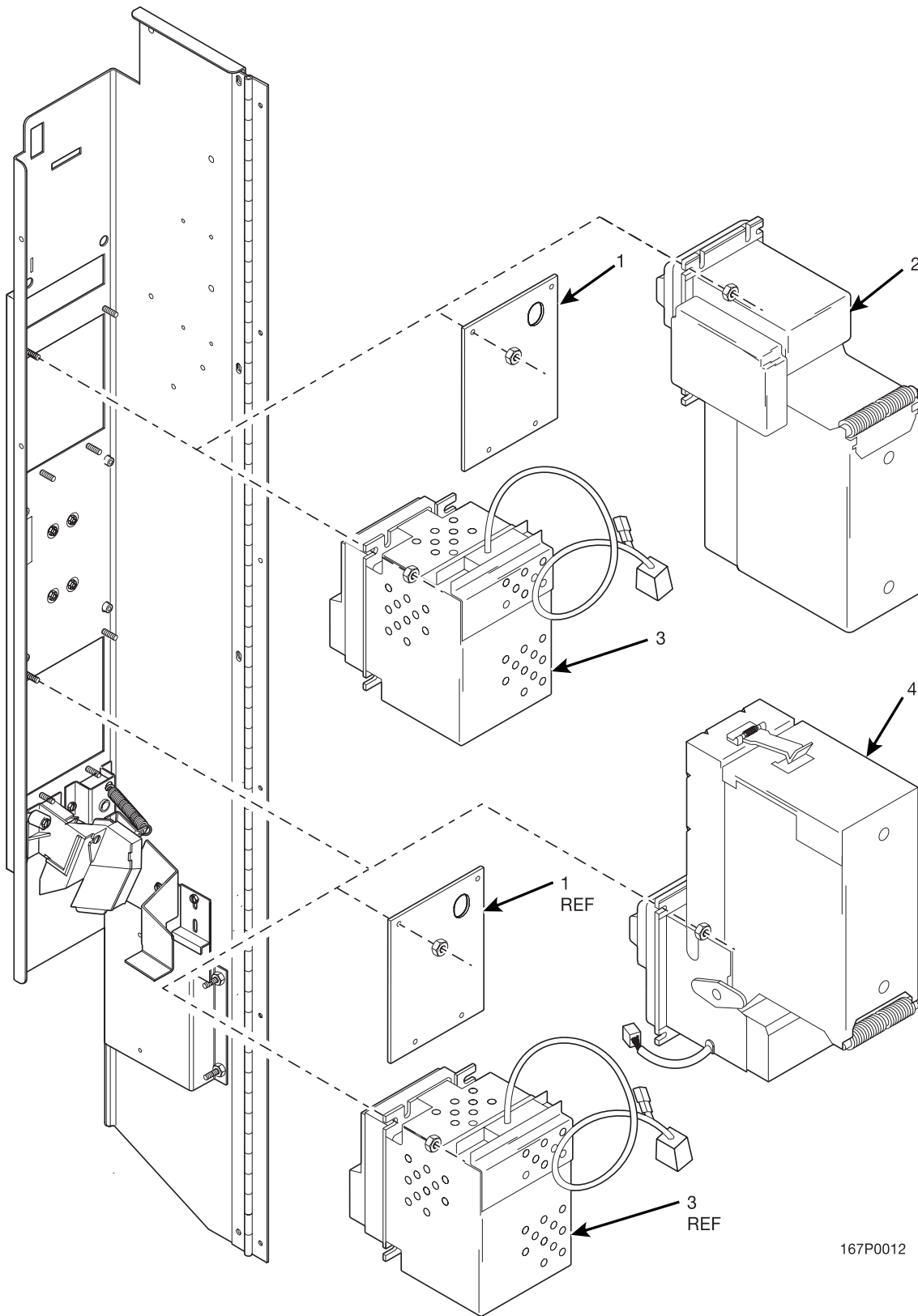


Figure 61. Card Reader and Bill Validator Combinations

Expanded Refreshment Center Parts Manual

TABLE 60. CARD READER AND BILL VALIDATOR COMBINATIONS

INDEX	PART NUMBER	DESCRIPTION
1	1575048	INSTRUCTION INSERT BACKING PLATE
2	9900081	NUT
3	-	DEBIT CARD READER (SEE TABLE 60 A FOR DETAILS)
4	-	UPSTACK BILL VALIDATOR (SEE TABLE 60 A FOR DETAILS)

TABLE 60 A. MONETARY LOCATION OPTIONS

MONETARY PANEL LOCATION			
MONETARY CAPABILITY	UPPER	LOWER	WITH COIN?
COIN - VAL - CARD	CARD READER	UPSTACK VALIDATOR	YES
COIN - VAL	INSERT INSTRUCTIONS BACK-UP PLATE (1575048)	UPSTACK VALIDATOR	YES
COIN - CARD	INSERT INSTRUCTIONS BACK-UP PLATE (1575048)	CARD READER	YES
COIN - CARD	CARD READER	INSERT INSTRUCTIONS BACK-UP PLATE (1575048)	YES
VAL - CARD	CARD READER	UPSTACK VALIDATOR	NO
COIN ONLY	INSERT INSTRUCTIONS BACK-UP PLATE (1575048)	INSERT INSTRUCTIONS BACK-UP PLATE (1575048)	YES
VAL ONLY	INSERT INSTRUCTIONS BACK-UP PLATE (1575048)	UPSTACK VALIDATOR	NO
CARD ONLY	CARD READER	INSERT INSTRUCTIONS BACK-UP PLATE (1575048)	NO
CARD ONLY	INSERT INSTRUCTIONS BACK-UP PLATE (1575048)	CARD READER	NO

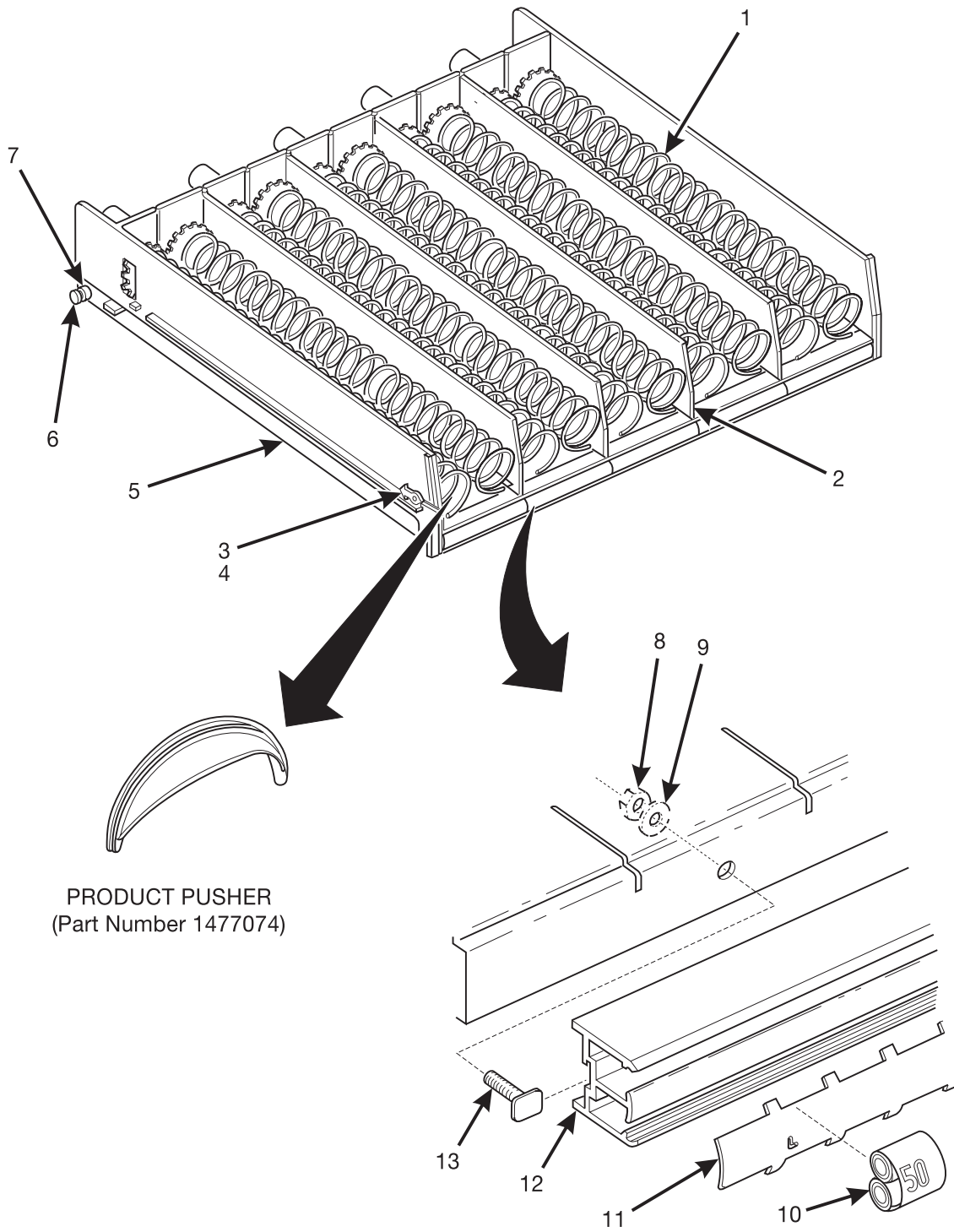
Expanded Refreshment Center Parts Manual

TABLE 60 B. COIN MECHANISM OPTIONS

PART NUMBER	DESCRIPTION
1600851	MARS CASH FLOW - MDB - CHINA
5307321	COINTRON 3000 - US COIN VAL
5900094	COINCO 9300L COIN UNIT
5900096	COINCO 9340L COIN UNIT
5900112	MARS MC5000 COIN UNIT
5900116	MARS TRC6000 COIN UNIT
5900192	COIN UNIT - CONLUX USLX 00401F
5900209	COIN UNIT - CONLUX - USLZ - 001 - MDB
5900213	COIN UNIT - COINCO - 9302 - GX - MDB
5900214	COIN UNIT - MARS - VN 4510 - MDB
5900216	COIN UNIT - MARS - VN 4000, 110V
5900217	COIN UNIT - MARS - VN 4010 XV - 24V
5900222	COIN UNIT - MARS - TRC 6000 - ASV
5900237	COIN UNIT - CONLUX USLX - 001 120V
5900240	COIN UNIT - C.F. MDB - CUSTOMER SUPPLIED
5900242	COIN UNIT - CASH FLOW - CHINA - MDB
5900243	COIN UNIT - TRC 6512 MDB - 1195500
5900244	COIN UNIT - COINCO - USD - G701 - MDB
6400002	COIN CHANGER - MARS #TRC 6010XV
6400003	COIN CHANGER - COINCO # 9302LF-24

Expanded Refreshment Center Parts Manual

TABLE 60 C. BILL VALIDATOR OPTIONS		
PART NUMBER	DESCRIPTION	USE WITH HARNESS PART NUMBER
5900198	VALIDATOR - MARS - S2000 - VN 2311 - U5E	1579005
5900182	VALIDATOR - COINCO - BA305A	1579028
5900193	VALIDATOR - MARS - S2000 - VN 2511 - U5E - CN5	
5900233	VALIDATOR - CONLUX MKA 2152-12B 120V	
5900245	STACKER - CASH CODE - 400 BILL CAPACITY - WITH LOCK (CHINA)	-
5900205	VALIDATOR - MARS - VN2512-U5E - 24V	1579032 (HARNESS) 9989718 (JUMPER)
5900221	VALIDATOR - COINCO - BA32SA - 24V	
5900234	VALIDATOR - CONLUX - 2162 - 24V - 300	
1475053	VALIDATOR - MAKA - NB - 1KB - 400 WITH MASK "K" INSTALLED	1579006
5900248	VALIDATOR - MARS - AG2611 - U5B - SERIAL	1579028
MDB VALIDATOR OPTIONS		
5900182	VALIDATOR - COINCO - BA 30SA	1579034
5900210	VALIDATOR - MARS - VN 2512 - USM/500 - MDB	-
5900234	VALIDATOR - CONLUX - 2162 - 24V - 300	1579050
5900242	VALIDATOR - CASH CODE - CHINA - MDB	-
5900247	VALIDATOR - MARS - AE2612 - U5M - MDB	-
TABLE 60 D. CARD READER OPTIONS		
PART NUMBER	DESCRIPTION	
1475107	DEBITEK #VIS-MM-NAT SYSTEM III	
1575050	BRACKET - DEBITEK CONTROLLER	



497p0078

Figure 62. Snack Tray Assembly (Part 1 of 2)

Expanded Refreshment Center Parts Manual

TABLE 61. SNACK TRAY ASSEMBLY (PART 1 OF 2)

INDEX	PART NUMBER	DESCRIPTION	QTY.
-	1597001	TRAY ASSEMBLY - 5 SNACK	1
1	-	SPIRAL (OPTIONAL) (SEE TABLE 66 A FOR DETAILS)	-
2	1477175	WALL - TRAY	4
3	1477017	LATCH	2
4	5201267	PUSH ON RETAINER - .312	2
5	1577040	TRAY - 5 & 10 DIVISION	1
6	1477097	AXLE - TRAY ROLLER	2
7	1477148	ROLLER - TRAY	2
8	9900030	NUT #8-32 SELF-LOCKING	3
9	5560113	WASHER - HOPPER RELEASE	3
10	1477014	ROLL - PRICE - CENTS	5
11	1477157	HOLDER - PRICE & SELECTION	1
12	1477134	RAIL - PRICE & SELECTION	1
13	2222031	TEE BOLT - TRIM	3

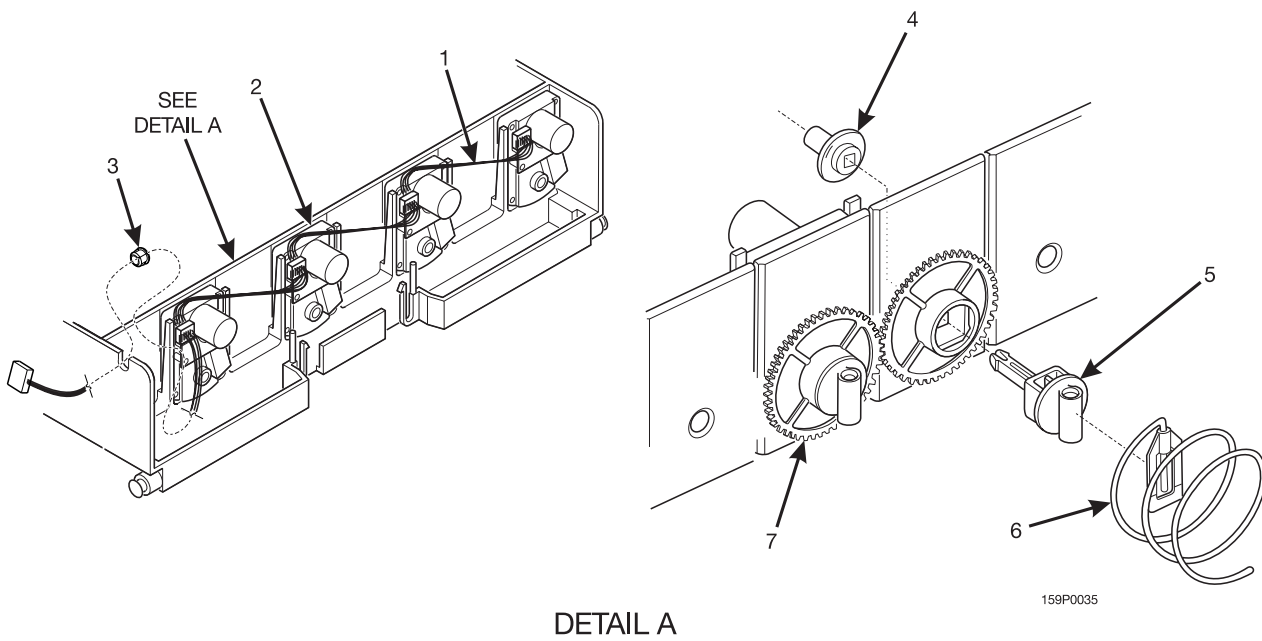


Figure 63. Snack Tray Assembly (Part 2 of 2)

Expanded Refreshment Center Parts Manual

TABLE 62. SNACK TRAY ASSEMBLY (PART 2 OF 2)

INDEX	PART NUMBER	DESCRIPTION	QTY.
1	1599012	HARNESS - 5 MOTOR TRAY	1
2	1577035	MOTOR & PCB ASSEMBLY	5
3	3502097	BUSHING	1
4	1477022	BEARING - COUPLER	5
5	1477113	COUPLING - SPIRAL	10
6	-	SPIRALS (SEE TABLE 66 A FOR DETAILS)	-
7	1477020	GEAR - TRAY	10

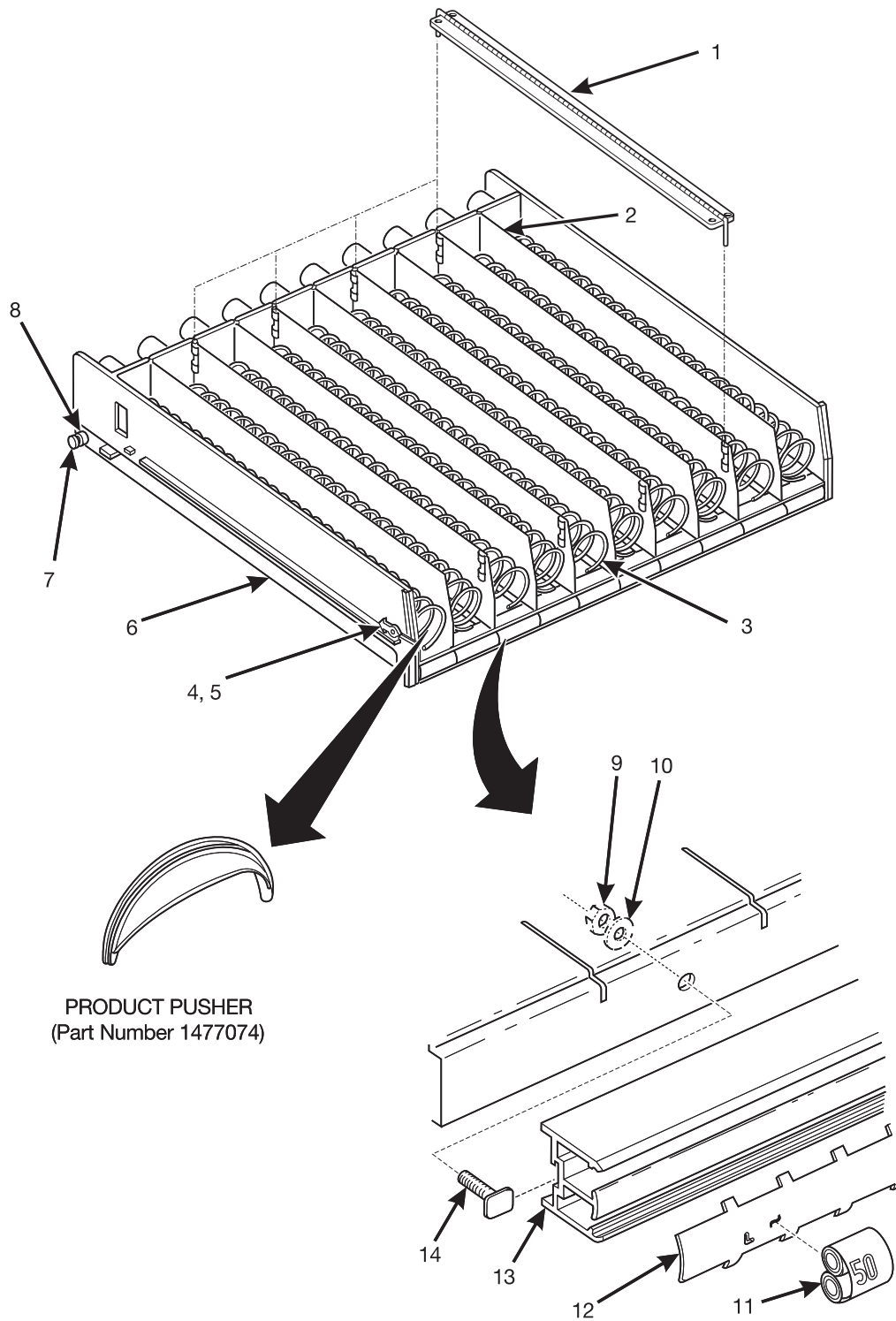
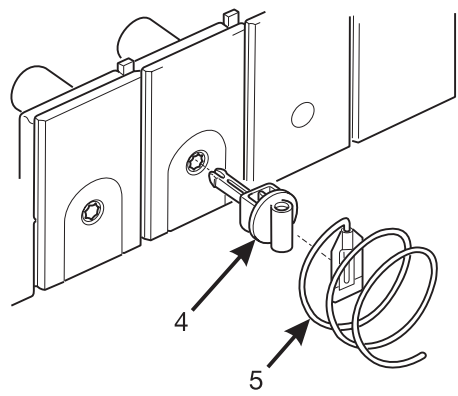
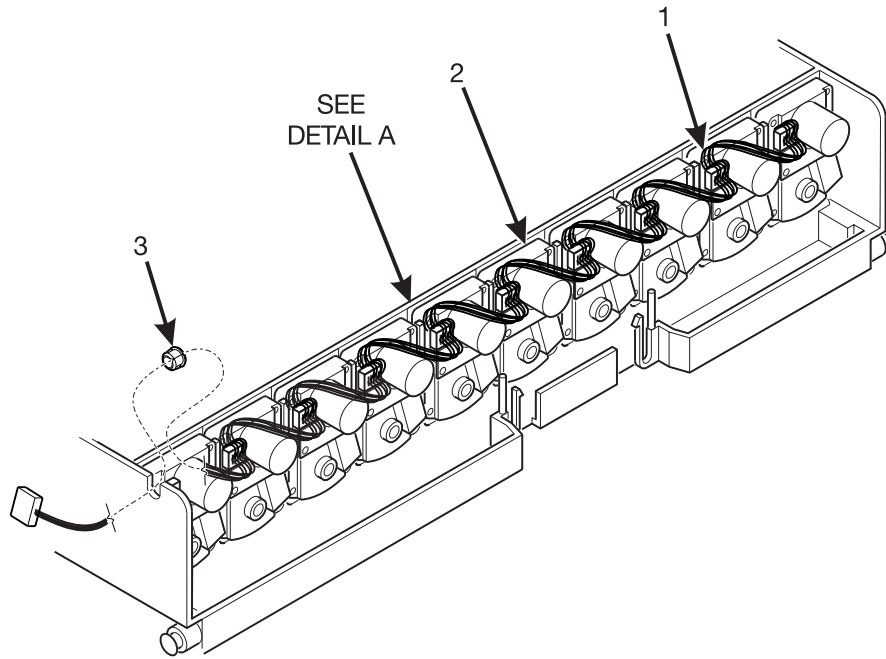


Figure 64. Candy Tray Assembly (Part 1 of 2)

Expanded Refreshment Center Parts Manual

TABLE 63. CANDY TRAY ASSEMBLY (PART 1 OF 2)

INDEX	PART NUMBER	DESCRIPTION	QTY.
-	1597002	TRAY ASSEMBLY - 10 CANDY	1
1	1677193	SPACER - ADJUSTABLE	4
2	1477175	WALL - TRAY	9
3	-	SPIRAL (OPTIONAL) (SEE TABLE 67 A FOR DETAILS)	-
4	1477017	LATCH	2
5	5201267	PUSH ON RETAINER - .312	2
6	1577040	TRAY - 5 & 10 DIVISION	1
7	1477097	AXLE - TRAY ROLLER	2
8	1477148	ROLLER - TRAY	2
9	9900030	NUT #8-32 SELF-LOCKING	3
10	5560113	WASHER - HOPPER RELEASE	3
11	1477014	ROLL - PRICE - CENTS	10
12	1477157	HOLDER - PRICE & SELECTION	1
13	1477134	RAIL - PRICE & SELECTION	1
14	2222031	TEE BOLT - TRIM	3



159PO025

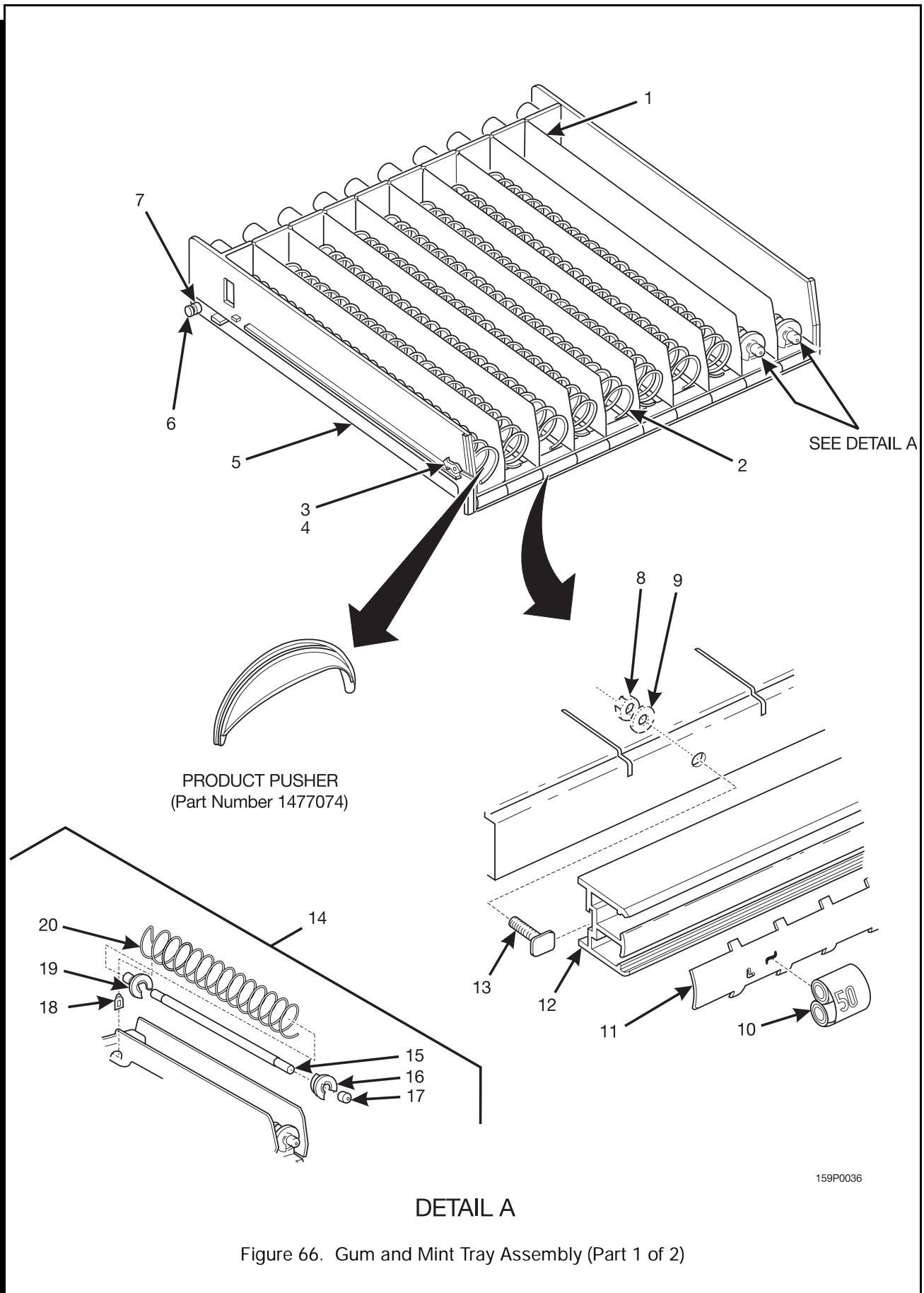
Figure 65. Candy Tray Assembly (Part 2 of 2)

Expanded Refreshment Center Parts Manual

TABLE 64. CANDY TRAY ASSEMBLY (PART 2 OF 2)

INDEX	PART NUMBER	DESCRIPTION	QTY.
1	1599013	HARNESS - 10 MOTOR TRAY	1
2	1577035	MOTOR & PCB ASSEMBLY	10
3	3502907	BUSHING	1
4	1477113	COUPLING - SPIRAL	10
5	-	SPIRALS (SEE TABLE 66 A FOR DETAILS)	-

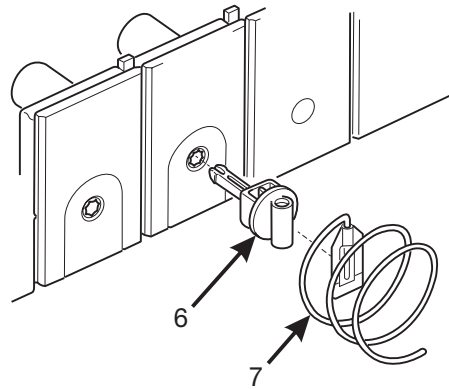
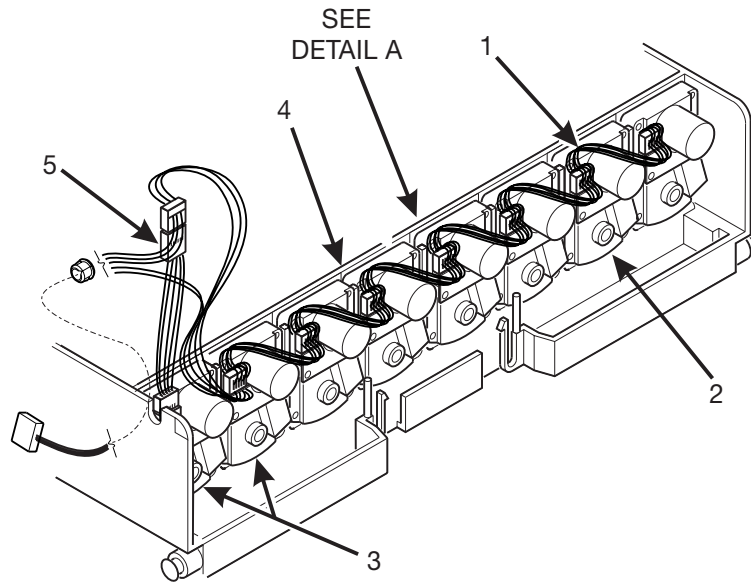
Expanded Refreshment Center Parts Manual



Expanded Refreshment Center Parts Manual

TABLE 65. GUM AND MINT TRAY ASSEMBLY (PART 1 OF 2)

INDEX	PART NUMBER	DESCRIPTION	QTY.
-	1597003	TRAY ASSEMBLY - 8 CANDY - 2 GUM	1
1	1477175	WALL - TRAY	9
2	-	SPIRAL (OPTIONAL) (SEE TABLE 66 A FOR DETAILS)	-
3	1477017	LATCH	2
4	5201267	PUSH ON RETAINER - .312	2
5	1577040	TRAY - 5 & 10 DIVISION	1
6	1477097	AXLE - TRAY ROLLER	2
7	1477148	ROLLER - TRAY	2
8	9900030	NUT #8-32 SELF-LOCKING	3
9	5560113	WASHER - HOPPER RELEASE	3
10	1477014	ROLL - PRICE - CENTS	10
11	1477157	HOLDER - PRICE & SELECTION	1
12	1477134	RAIL - PRICE & SELECTION	1
13	2222031	TEE BOLT - TRIM	3
14	1467127	SPIRAL ASSEMBLY - DUAL GUM & MINT (INCLUDES INDEX NUMBERS 15 - 20)	2
15	1467131	SPIRAL INSERT ASSEMBLY	1
16	1467129	DISC - SPIRAL INSERT	1
17	1467136	CAP - SPIRAL INSERT	2
18	1467130	DISC - SPIRAL INSERT	1
19	1467137	RETAINER - SPIRAL - ORANGE	1
20	1467128	SPIRAL - 2.65 DIAMETER - DUAL GUM & MINT	1



DETAIL A

159P0038

Figure 67. Gum and Mint Tray Assembly (Part 2 of 2)

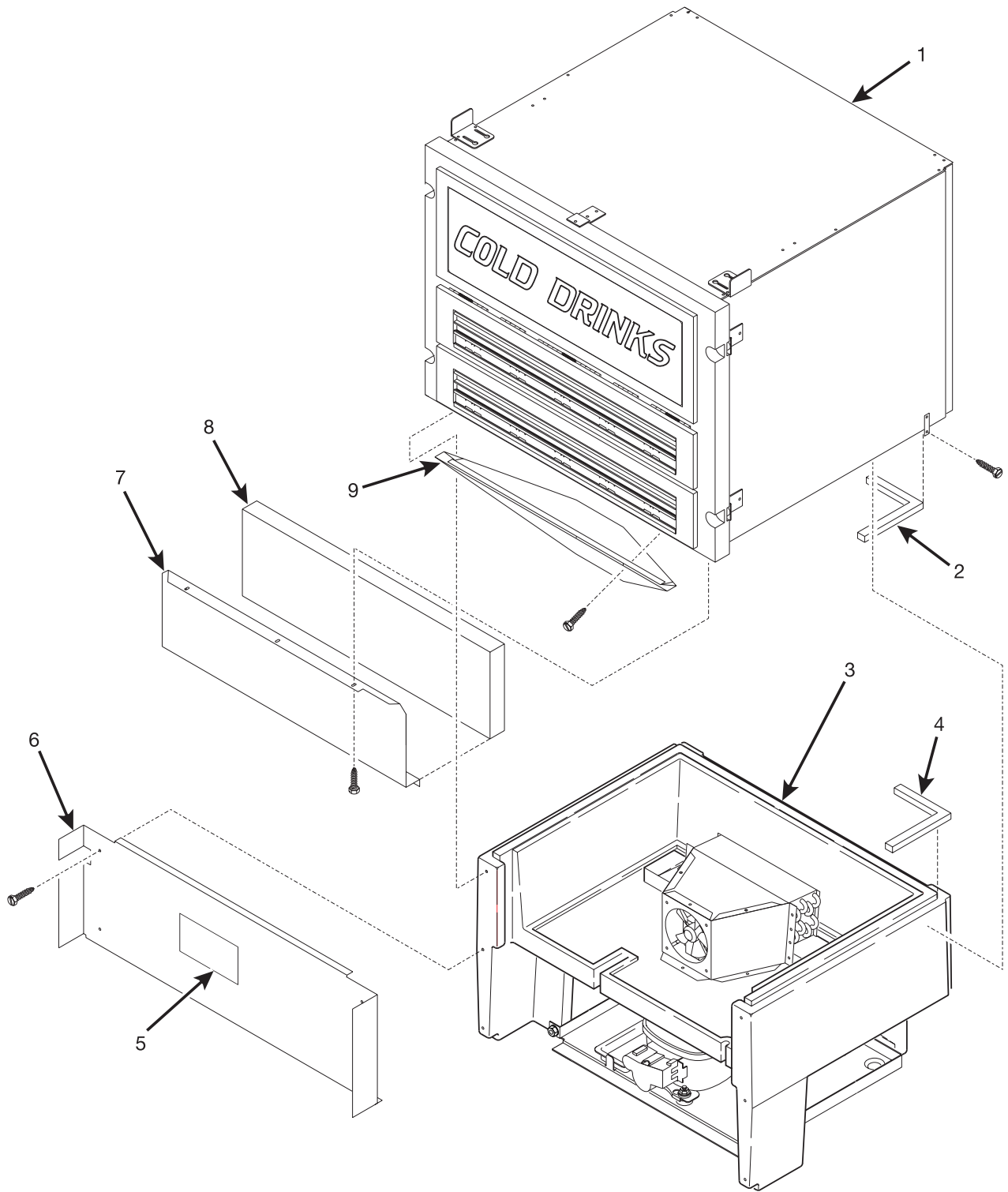
Expanded Refreshment Center Parts Manual

TABLE 66. GUM AND MINT TRAY ASSEMBLY (PART 2 OF 2)

INDEX	PART NUMBER	DESCRIPTION	QTY.
1	1599013	HARNESS - 10 MOTOR TRAY	1
2	1577035	MOTOR & PCB ASSEMBLY	8
3	1477114	MOTOR & PCB ASSEMBLY	2
4	3502097	BUSHING	1
5	1477156	JUMPER ASSEMBLY - MOTOR REVERSING	1
6	1477113	COUPLING - SPIRAL	10
7	-	SPIRALS (SEE TABLE 66 A FOR DETAILS)	-

TABLE 66 A. SPIRAL OPTIONS

			PART NUMBERS			
			LEFT HAND		RIGHT HAND	
Spiral Count	Retainer Color	Retainer	Assembly	Spiral	Assembly	Spiral
5	-	-	-	1477178	-	1477179
6	PURPLE	1477107	1477103	1477102	1477105	1477104
9	GRAY	1477155	1477149	1477150	1477152	1477153
11	BLUE	1457061	1477023	1477024	1477026	1477027
13	YELLOW	1457062	1477029	1477030	1477032	1477033
15	RED	1457063	1477035	1477063	1477038	1477039
17	BROWN	1477106	1477101	1477100	1477099	1477098
20	WHITE	1457064	1477041	1477042	1477044	1477045
25	GREEN	1457065	1477047	1477048	1477050	1477051
30	BLACK	1477073	1477053	1477054	1477056	1477057
38	ORANGE	1467137	1477059	1477060	1477062	1477063



497p0104

Figure 68. 10-Select Can Option

Expanded Refreshment Center Parts Manual

TABLE 67. 10-SELECT CAN OPTION

INDEX	PART NUMBER	DESCRIPTION	QTY.
1	4977000	CAN MODULE ASSEMBLY - 10 SELECT - 115 V XREF	1
	4987000	CAN MODULE ASSEMBLY - 10 SELECT - 230 V XREF	
2	4974016	GASKET - REFRIGERATION MODULE - INSIDE	1
3	4974000	REFRIGERATION MODULE ASSEMBLY - CAN - 115 V - AMBIENT XREF	1
	4974022	REFRIGERATION MODULE ASSEMBLY - CAN - 230 V - AMBIENT XREF	
		REFRIGERATION MODULE ASSEMBLY - CAN - 230 V - CHILLED XREF	
4	4974015	GASKET - REFRIGERATION MODULE - OUTSIDE	1
5	6231189	LABEL - WARNING - HIGH VOLTAGE - ENGLISH	1
	6231216	LABEL - WARNING - HIGH VOLTAGE - GERMAN	
	6231229	LABEL - WARNING - HIGH VOLTAGE - FRENCH	
	6232290	LABEL - WARNING - HIGH VOLTAGE - SPANISH	
6	4974009	COVER AND SEAL ASSEMBLY - COMPRESSOR	1
7	4974012	RETAINER - DOOR	1
8	4974007	DOOR - REFRIGERATION MODULE	1
9	4974019	DUCT AND GASKET ASSEMBLY	1

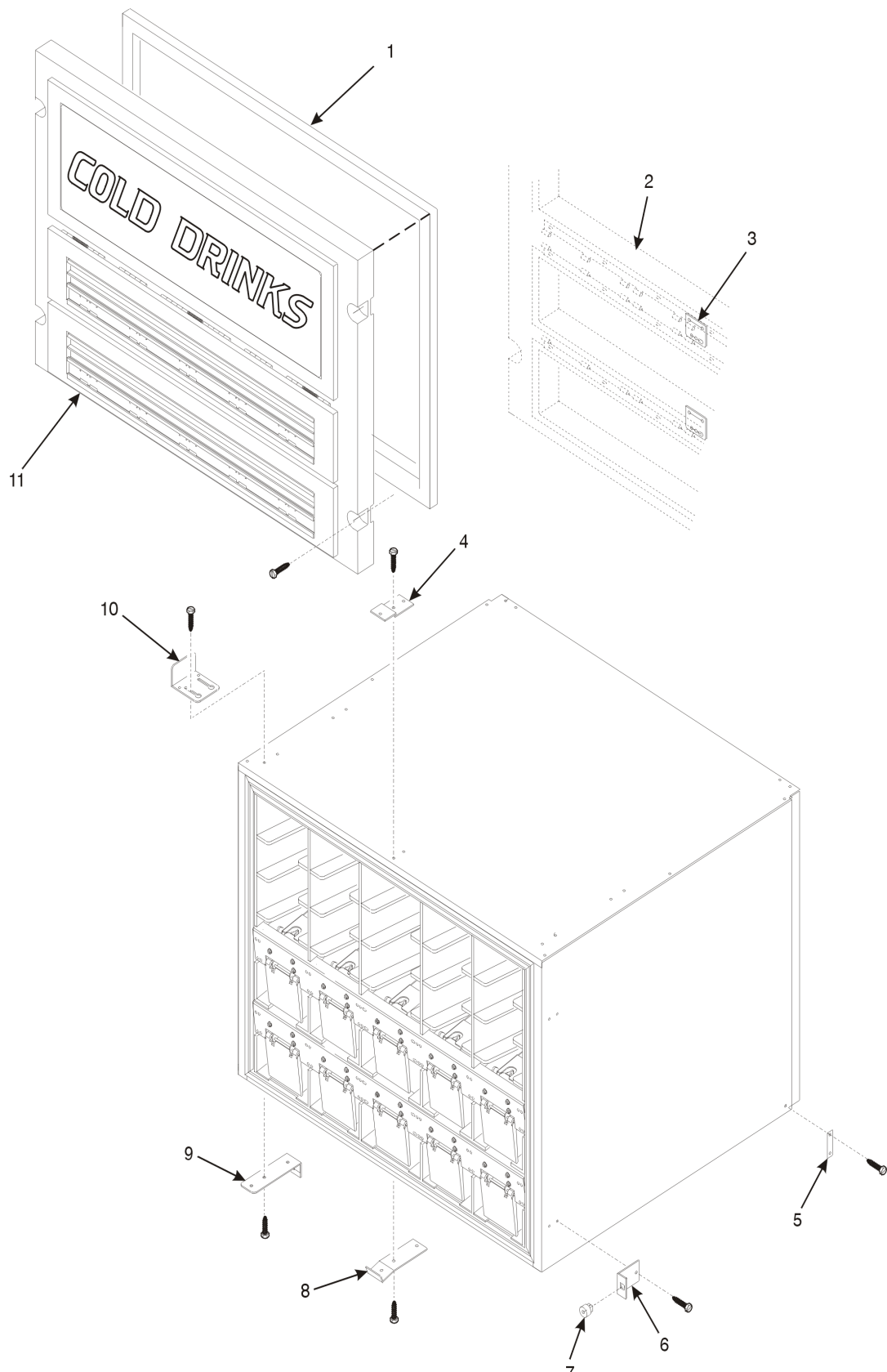
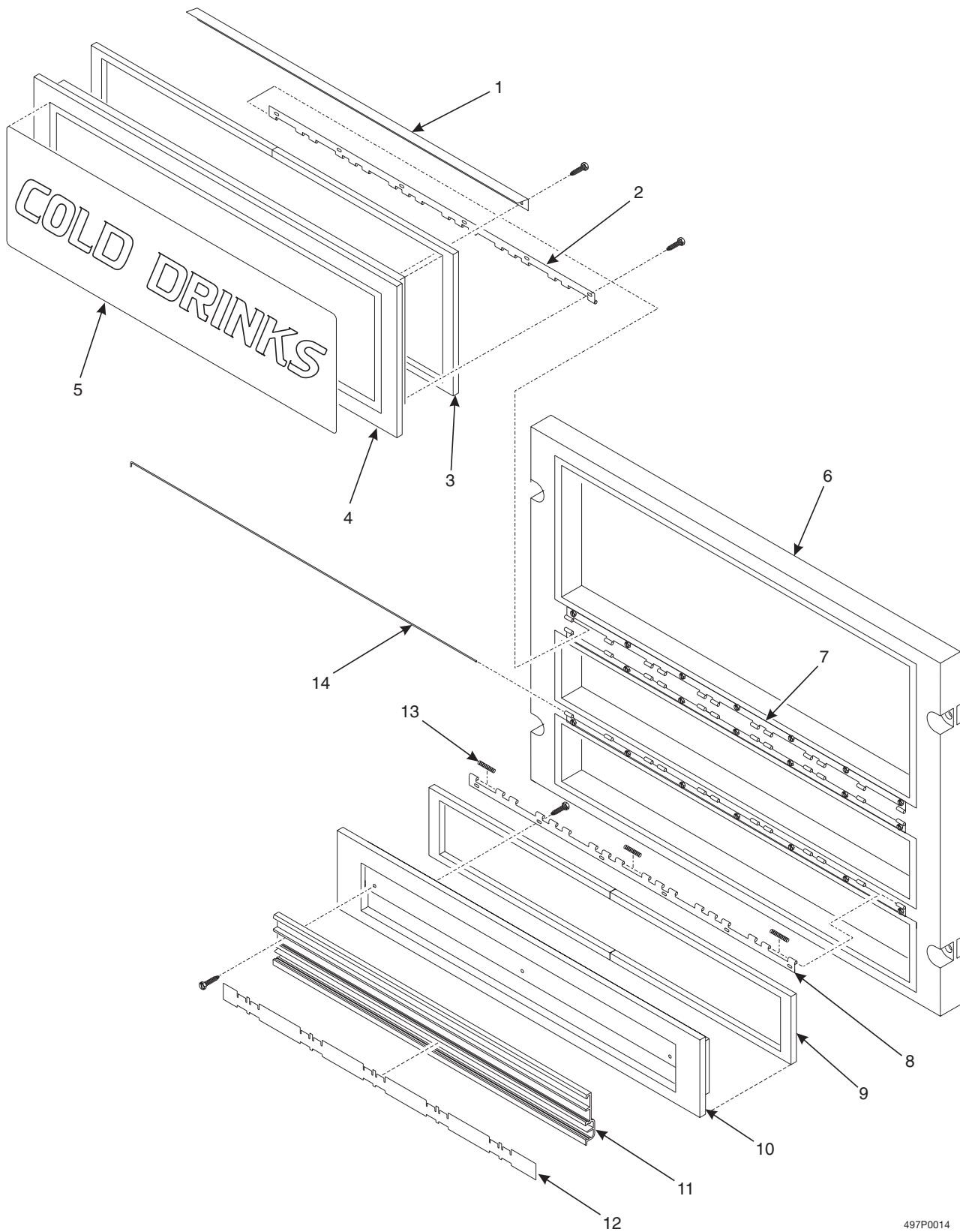


Figure 69. Cabinet Module Assembly

Expanded Refreshment Center Parts Manual

TABLE 68. CAN MODULE ASSEMBLY

INDEX	PART NUMBER	DESCRIPTION	QTY.
1	4976042	GASKET - 10 SELECT FRAME	1
2	4976002	FRAME & SUPPORT ASSEMBLY	1
3	4976001	BRACKET - SUPPORT - FRAME	2
4	4977036	BRACKET - SUPPORT - TOP	1
5	4747062	MOUNTING STRAP - CAN MODULE	2
-	4977052	BRACKET & GROMMET ASSEMBLY (INCLUDES INDEX NUMBERS 6 AND 7)	4
6	4977053	BRACKET - FRAME - MOUNTING	
7	4977054	GROMMET - SCREW - .38	
8	4977065	BRACKET - SUPPORT - BOTTOM	1
9	4977059	BRACKET - FRAME SUPPORT	1
10	4747715	BRACKET - CABINET SUPPORT	1
11	4976000	FRAME ASSEMBLY - 10 SELECT+	1

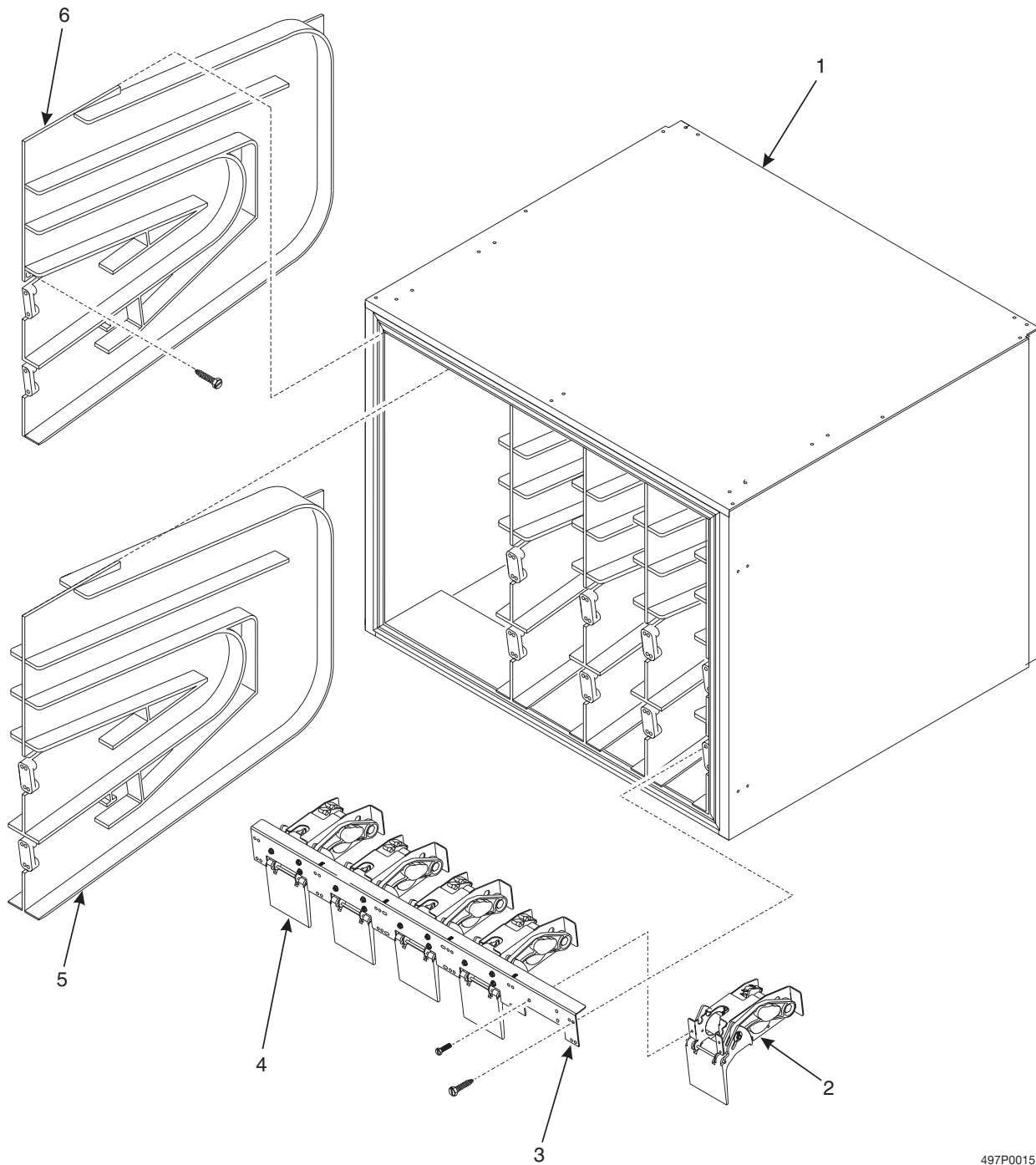


Expanded Refreshment Center Parts Manual

TABLE 69. FRAME ASSEMBLY

INDEX	PART NUMBER	DESCRIPTION	QTY.
-	4976030	LOADING DOOR ASSEMBLY (INCLUDES INDEX NUMBERS 1 - 5)	1
1	4976037	ANGLE - LOADING DOOR	1
2	4976046	HINGE - DOOR - PAINTED	1
3	4976031	GASKET - LOADING DOOR	1
4	4976044	DOOR - LOADING - FOAMED	1
5	4976024	LABEL / INSERT - "COLD DRINKS"	1
	4976048	PHOTO - P.O.P. - LOADING DOOR	
-	1472454	SCREW - #6-20 X .31 PHILLIPS TRUSS	6
-	4047056	SCREW - SHEET METAL #8X3/8 PHS	-
6	4976038	FRAME - CAN MODULE - 10 SELECT - FOAMED	1
7	4976045	HINGE - FRAME - PAINTED	3
-	4976028	DELIVERY DOOR ASSEMBLY (INCLUDES INDEX NUMBERS 8 - 12)	2
8	4976046	HINGE - DOOR - PAINTED	1
9	4976029	GASKET - DELIVERY DOOR	1
10	4976039	DOOR - DELIVERY - FOAMED	1
11	4976040	RAIL -PRICE & SELECTION	1
12	4976014	HOLDER - PRICE & SELECTION	1
-	1472454	SCREW-#6-20 X.31 PHIL.TRUSS	6
-	1477014	ROLL-PRICE CENTS	5
-	1477015	ROLL-PRICE DOLLARS	5
-	4721035	SCREW-#8-18 X .38-LGM	11
13	4976015	SPRING - DOOR RETURN	13
14	4976032	PIN - HINGE	3
-	1577051	LABEL-ITEM LETTERS E0-E9	1
-	1577052	LABEL-ITEM LETTERS-F0-F9	1
-	2226380	SCREW-#6-19X.38 PHS T/C	-
-	4976025	LABEL - LOADING DIAGRAM - 10 SELECT CAN MODULE (NOT SHOWN - ON REAR OF LOADING DOOR)	1

Expanded Refreshment Center Parts Manual



497P0015

Figure 71. Miscellaneous Internal Parts

Expanded Refreshment Center Parts Manual

TABLE 70. MISCELLANEOUS INTERNAL PARTS

INDEX	PART NUMBER	DESCRIPTION	QTY.
1	4975056	BOX ASSEMBLY - REFRIGERATION - FOAMED	1
2	4977049	EJECTOR & MOTOR ASSEMBLY	5
3	4977040	CHANNEL - MOTOR BRACKET MOUNTING	1
4	4977048	MOTOR & EJECTOR MOUNTING CHANNEL ASSEMBLY	2
5	4977030	TRACK - CAN - CENTER (ARG./BRZ./L.A./MEX./N.Z./S.A./U.S.)	4
		TRACK - CAN - CENTER (FR./GER./U.K.)	2
6	4977031	TRACK - CAN - LEFT (ARG./BRZ./L.A./MEX./N.Z./S.A./U.S.)	1
-	4977032	TRACK - CAN - LEFT (FR./GER./U.K.)	3

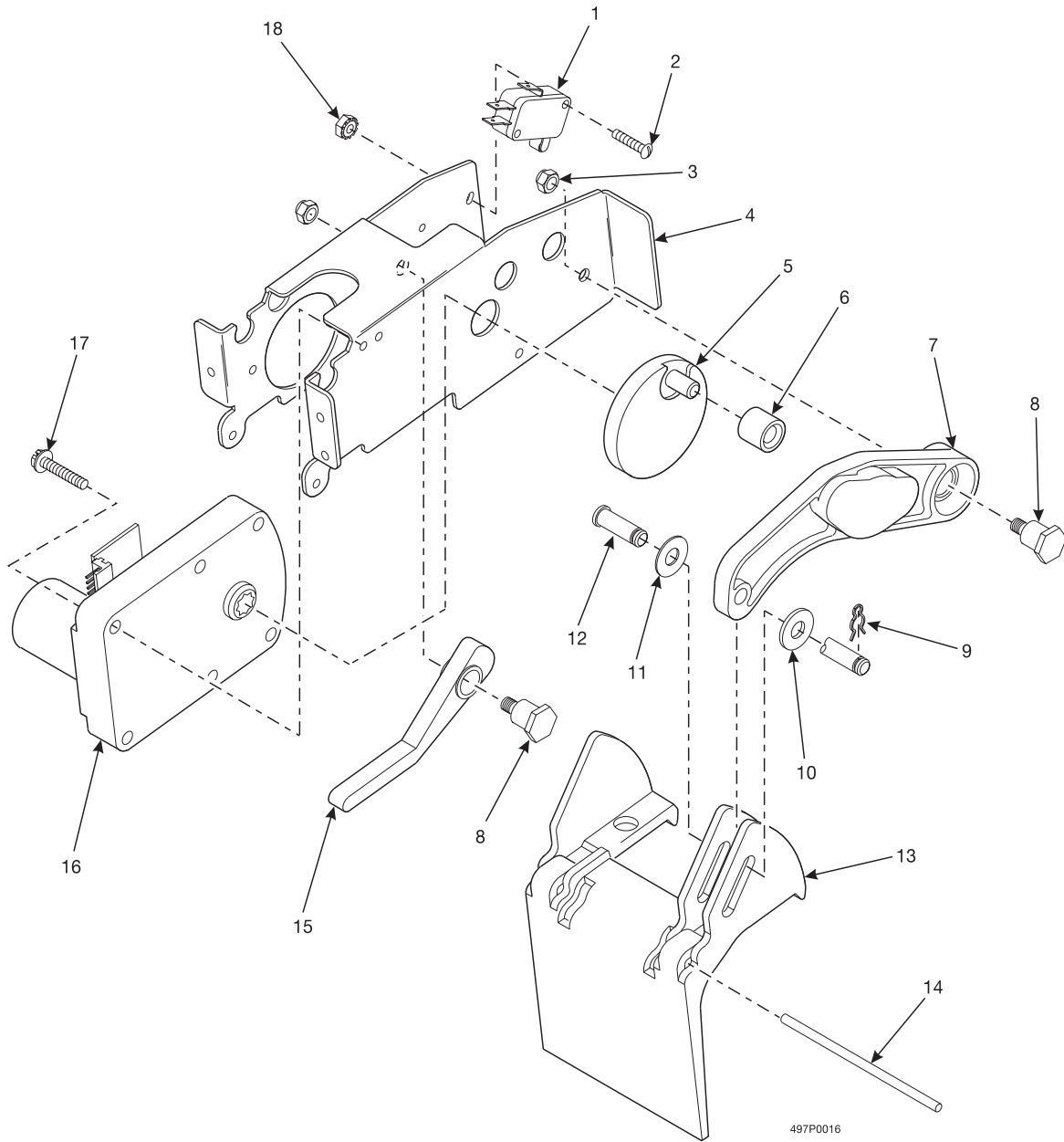


Figure 72. Ejector and Motor Assembly

Expanded Refreshment Center Parts Manual

TABLE 71. EJECTOR AND MOTOR ASSEMBLY

INDEX	PART NUMBER	DESCRIPTION	QTY.
1	2366091	SWITCH - ROLLER LEVER V3L-2103-D8	1
2	9900206	NUT #10-32 SELF - LOCKING	-
3	1217160	4-40X5/8 RHS M SCREW Z/Y	-
4	4977039	BRACKET - MOTOR MOUNTING	1
5	4977035	CAM - DRIVE MOTOR	1
6	4977056	ROLLER - MOTOR CAM	1
7	4977034	ARM - GATE EJECTOR	1
8	1457099	STUD - TRAY ROLLER	2
9	2204092	COTTER HAIR - PIN	1
10	5305318	WASHER - .257X.50X.062	1
11	4977041	WASHER - DRIVE PIN	1
12	4747031	PIVOT PIN - EJECTOR CAM	1
13	4977033	GATE - EJECTOR	1
14	4977038	PIN - PIVOT - GATE EJECTOR	1
15	4747036	SWITCH - ACTUATOR - SOLD OUT	1
16	1577035	MOTOR & PCB ASSEMBLY	1
17	1457027	SCREW-#8-32 X .81 HEX HD.-T/	2
18	1217159	4-40 KEPS W/EXT L/WAS H ZP	-

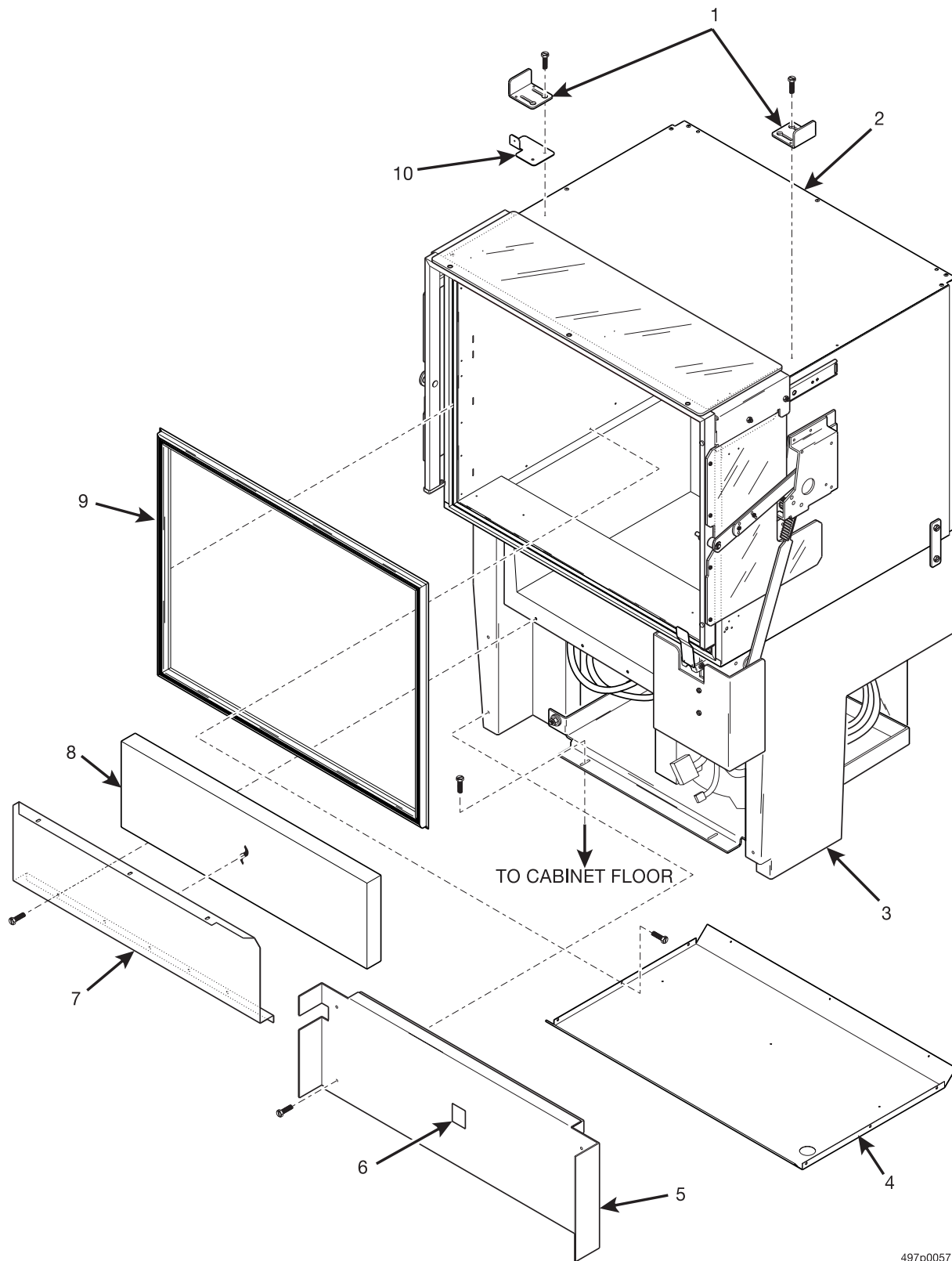
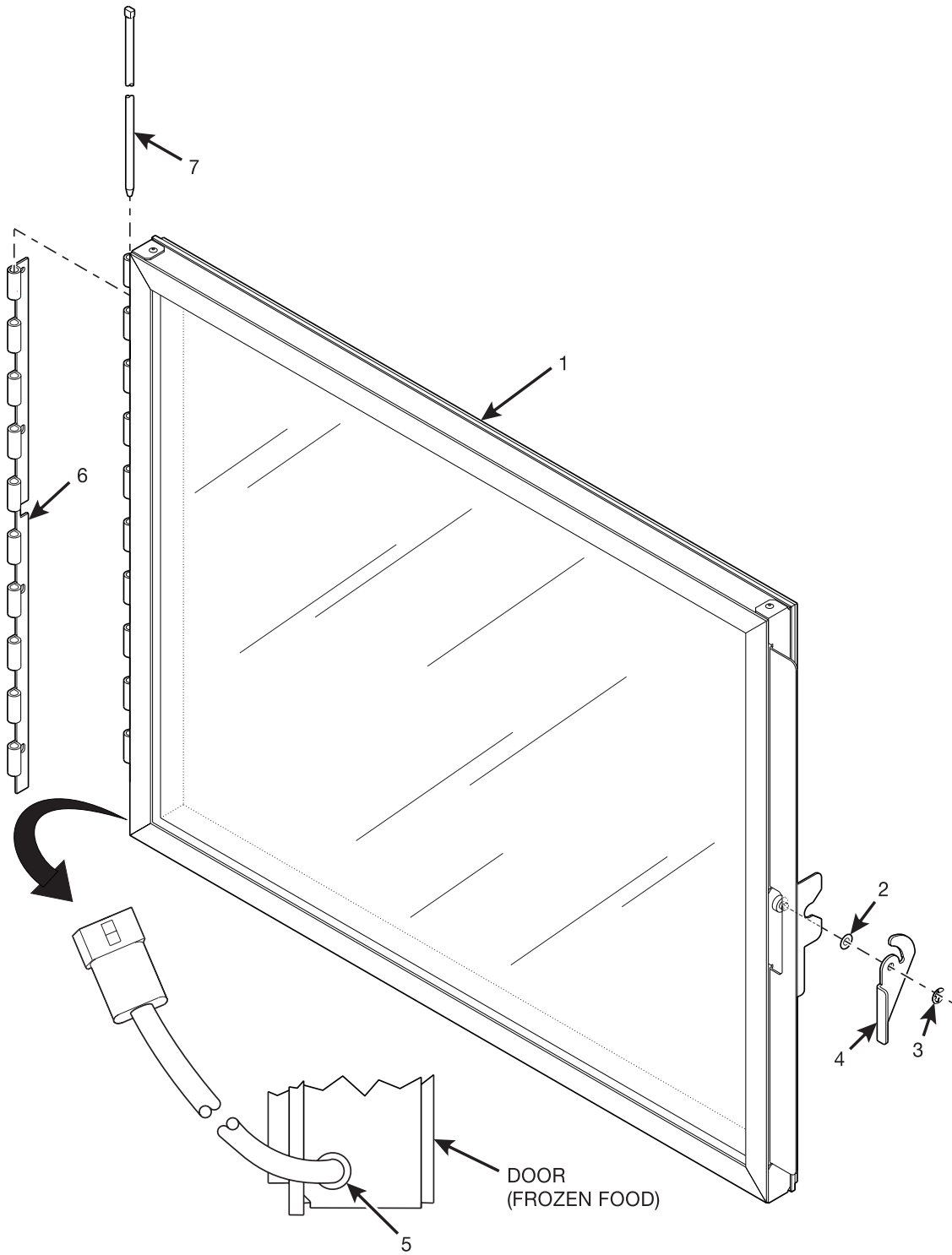


Figure 73. Cabinet Parts - Expanded Food

Expanded Refreshment Center Parts Manual

TABLE 72. CABINET PARTS - EXPANDED FOOD

INDEX	PART NUMBER	DESCRIPTION	QTY
1	4747715	BRACKET - CABINET SUPPORT	2
2	4977075	FROZEN FOOD MODULE ASSEMBLY - 115 V	1
	4977001	COLD FOOD MODULE ASSEMBLY - 115 V	
	4987003	COLD FOOD MODULE ASSEMBLY - 230 V	
3	4974045	REFRIGERATION MODULE ASSEMBLY - COLD FOOD - 115 V	1
	4974025	REFRIGERATION MODULE ASSEMBLY - FROZEN FOOD - 115 V	
	4984048	REFRIGERATION MODULE ASSEMBLY - COLD FOOD - 230 V	
4	4975021	PANEL - LINEAR - BOTTOM	1
5	4974009	COVER AND SEAL ASSEMBLY - COMPRESSOR	1
6	6231189	LABEL - WARNING - HIGH VOLTAGE - ENGLISH	1
	6231216	LABEL - WARNING - HIGH VOLTAGE - GERMAN	
	6231229	LABEL - WARNING - HIGH VOLTAGE - FRENCH	
	6232290	LABEL - WARNING - HIGH VOLTAGE - SPANISH	
7	4974012	RETAINER - DOOR	1
8	4974007	DOOR - REFRIGERATION MODULE	1
9	4976050	DOOR ASSEMBLY - COLD FOOD (SEE FIGURE 74 FOR DETAILS)	1
	4977060	DOOR ASSEMBLY - 115 V - FROZEN FOOD (SEE FIGURE 74 FOR DETAILS)	
10	4977066	BRACKET - WIRE CLAMP MOUNTING - FROZEN FOOD	1



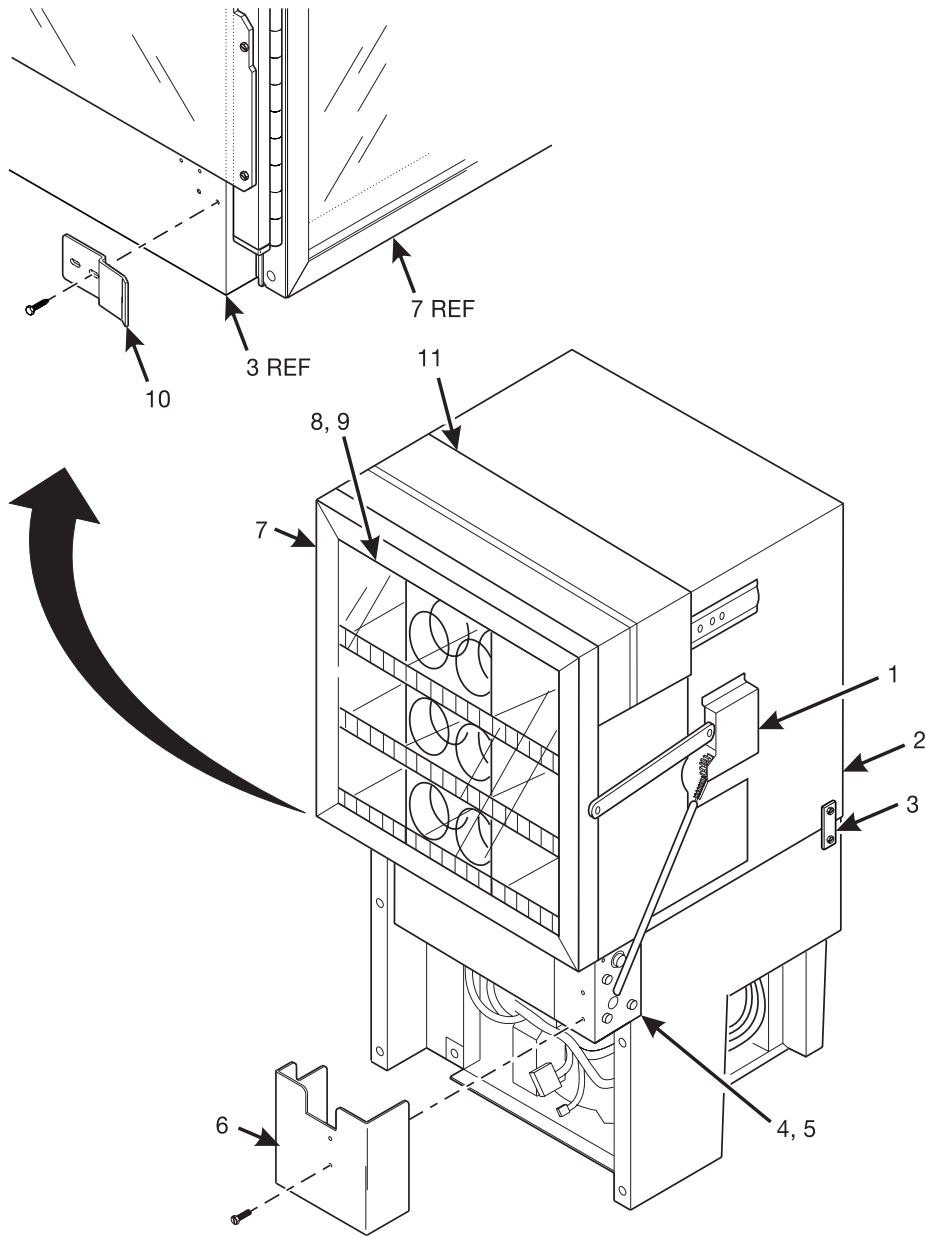
497p0056

Figure 74. Door Assembly - Food Module

Expanded Refreshment Center Parts Manual

TABLE 73. DOOR ASSEMBLY - FOOD MODULE

INDEX	PART NUMBER	DESCRIPTION	QTY
1	4976050	DOOR ASSEMBLY - COLD FOOD	1
	4977060	DOOR ASSEMBLY - 115 V - FROZEN FOOD	
2	5220113	SPRING WASHER .500 X .254 X .006	1
3	9900425	RETAINING RING REINF. E TYP. 250	1
4	4976055	LEVER - LATCH	1
5	4747718	HEYCO - .281 ID X .250 LG (FROZEN FOOD)	1
6	4976070	HINGE - FOOD MODULE DOOR - PAINTED	1
7	4976058	PIN - HINGE	1



497p0055

Figure 75. Cold Food Module Assembly

Expanded Refreshment Center Parts Manual

TABLE 74. COLD FOOD MODULE ASSEMBLY

INDEX	PART NUMBER	DESCRIPTION	QTY
1	4975017	DRIVE ARM ASSEMBLY - R.H. (SEE FIGURE 79 FOR DETAILS)	1
	4975010	DRIVE ARM ASSEMBLY - L.H. (SEE FIGURE 78 FOR DETAILS)	
2	4975052	REFRIGERATION BOX ASSEMBLY - FOAMED	1
3	4747062	MOUNTING STRAP - CAN MODULE	2
4	4407077	MOTOR MOUNTING BRACKET ASSEMBLY - 110 V (SEE FIGURE 81 FOR DETAILS)	1
5	-	MOTOR TO DRIVE ARM ASSEMBLIES CONNECTION DETAIL (SEE FIGURE 76 FOR DETAILS)	-
6	4747725	COVER - MOTOR ASSEMBLY	1
7	4976050	DOOR ASSEMBLY - COLD FOOD (SEE FIGURE 75 FOR DETAILS)	1
	4977060	DOOR ASSEMBLY - 115 V - FROZEN FOOD (SEE FIGURE 75 FOR DETAILS)	
8	4612001	DECAL "CHILLED FOR FRESHNESS"	1
9	4741223	DECAL "COLD/FROZEN FOOD"	1
10	4975002	BRACKET - FRAME SUPPORT	1
11	4976066	DOOR FRAME ASSEMBLY (SEE FIGURE 77 FOR DETAILS)	1

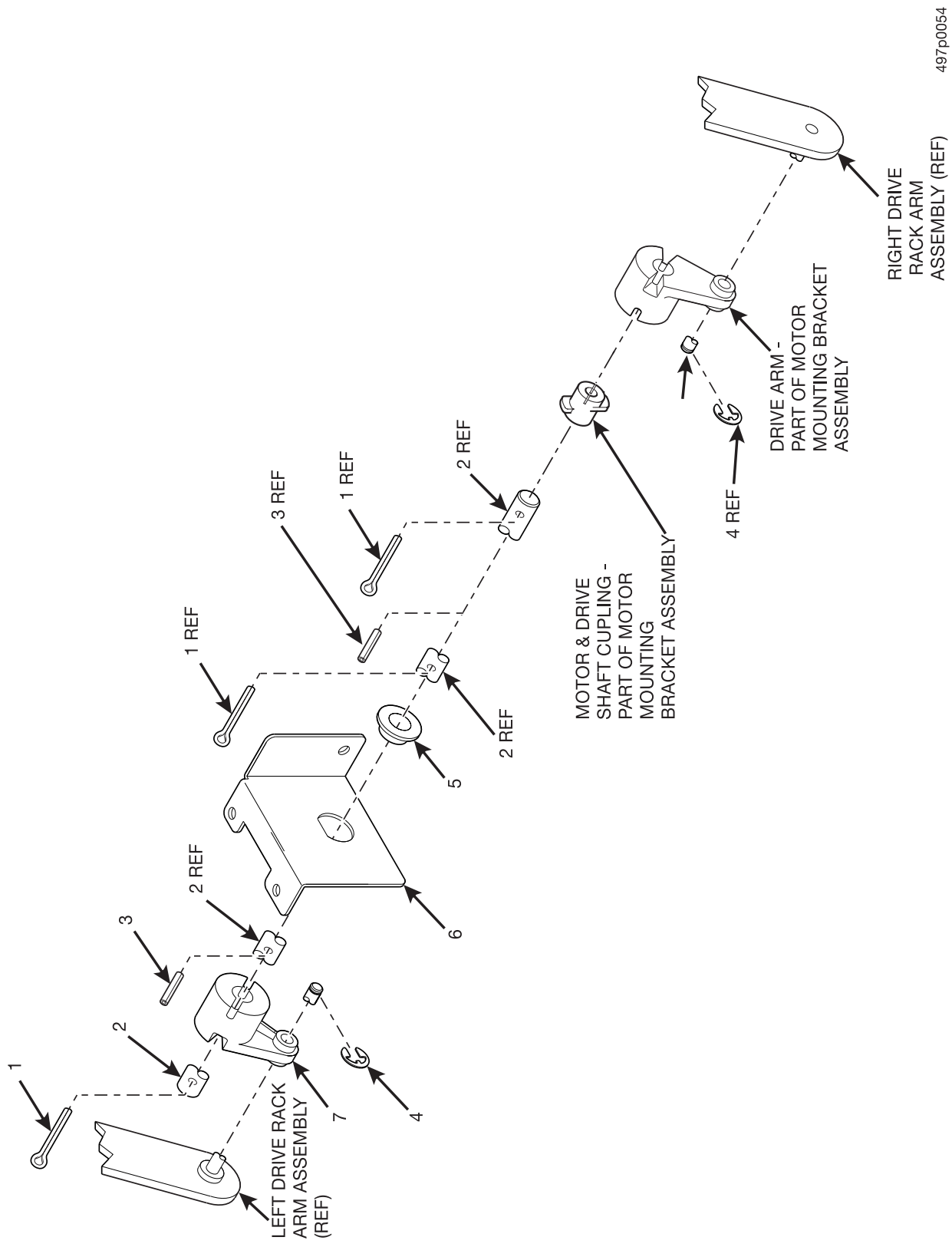
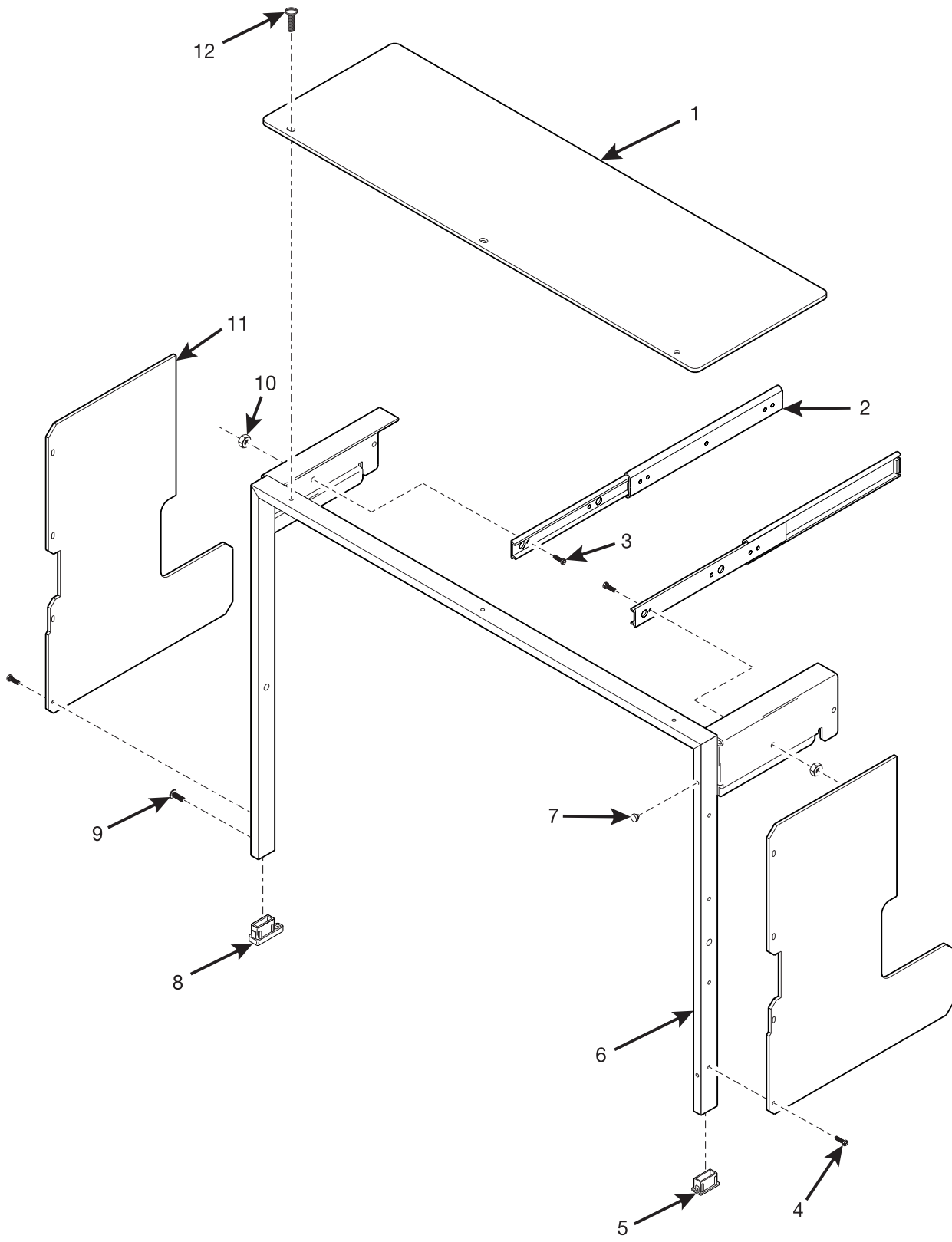


Figure 76. Motor to Drive Arm Assemblies Connection Detail

Expanded Refreshment Center Parts Manual

TABLE 75. MOTOR TO DRIVE ARM ASSEMBLIES CONNECTION DETAIL

INDEX	PART NUMBER	DESCRIPTION	QTY
1	9900098	COTTER PIN - 3/32 X 3/4 IN	3
2	4975023	SHAFT - DRIVE	1
3	3127034	ROLL PIN - 1/8 X 13/16	2
4	9900425	RETAINING RING - REINF. E TYP .250	2
5	4047012	SHOULDER BUSHING	1
6	4407088	BRACKET - DRIVE SHAFT	1
7	4407079	ARM - DRIVE	1



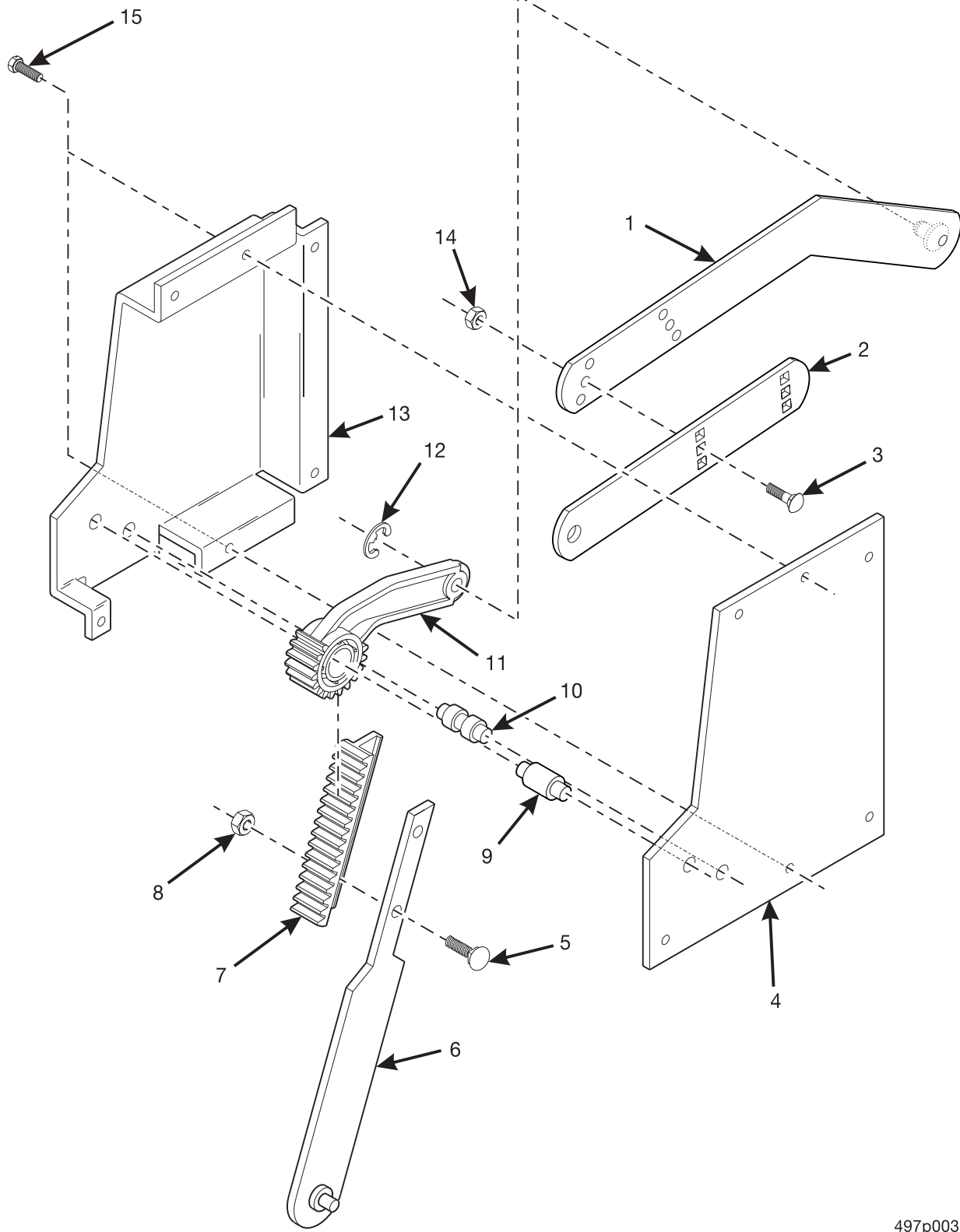
497p0030

Figure 77. Food Module Door Frame Assembly

Expanded Refreshment Center Parts Manual

TABLE 76. FOOD MODULE DOOR FRAME ASSEMBLY

INDEX	PART NUMBER	DESCRIPTION	QTY
-	4976066	DOOR FRAME ASSEMBLY - FOOD MODULE	-
1	4976067	SHIELD - TOP	1
2	4407103	SLIDE - 10"	2
3	1451097	SCREW - #8-32 X.31 HEXHD - T/F - BLACK	4
4	9900118	SCREW - #8-32 X3/8 PHS	4
5	1479120	CAP PLUG - RECTANGULAR - 1/2 X1	1
6	4976081	DOOR FRAME WELD ASSEMBLY - FIXED	1
7	4976072	GROMMET	2
8	4407101	SUPPORT - DOOR FRAME	1
9	9900166	SCREW - #80-32 X5/16 THS S/T	1
10	1412046	8-32 NUT 23TW 832 BLOX	4
11	4976069	SHIELD - SIDE	2
12	1452312	SCREW - #10-32 X.31 THS - 5/F - BLACK	3



497p0031

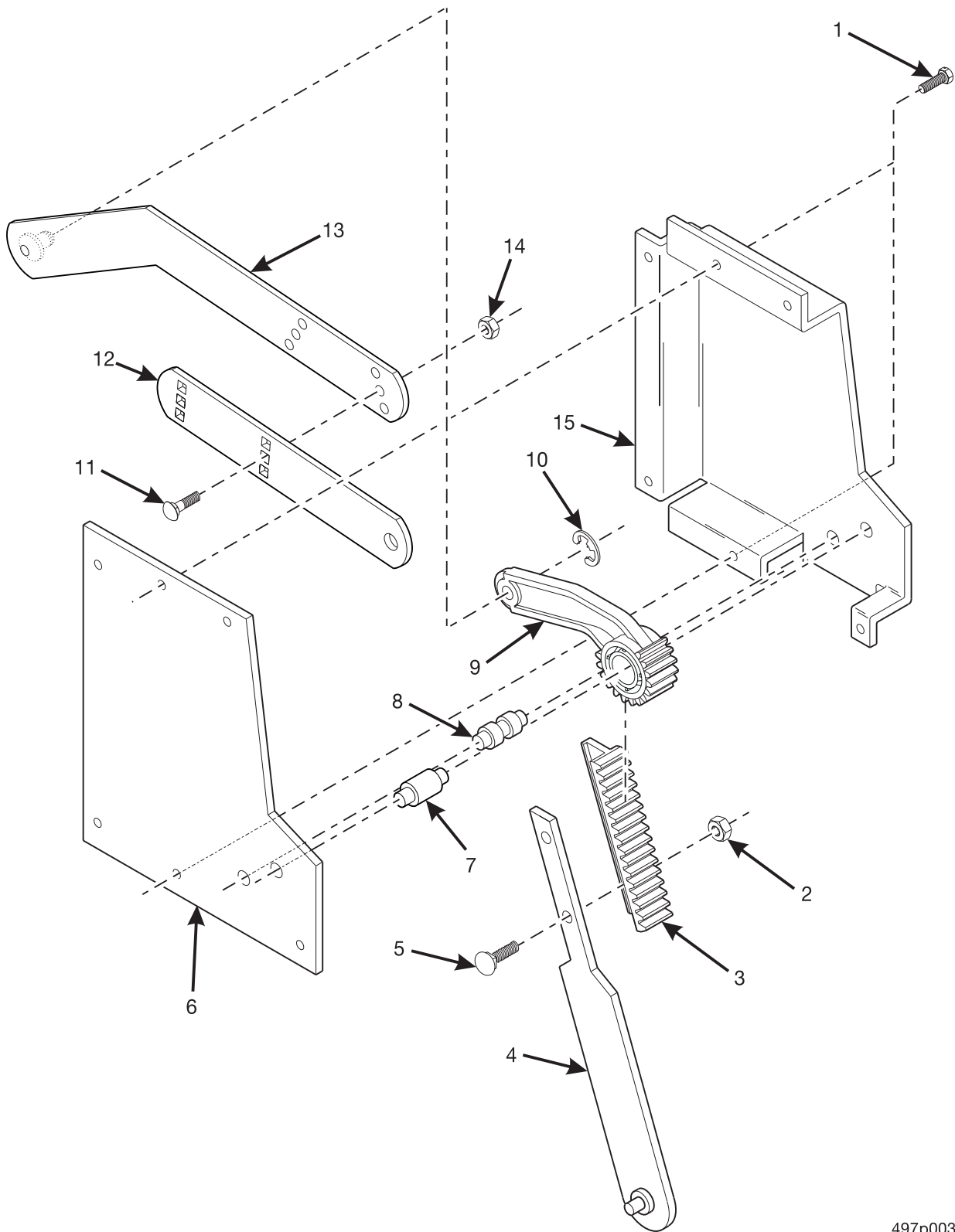
Figure 78. Left Hand Drive Arm Assembly

Expanded Refreshment Center Parts Manual

TABLE 77. LEFT HAND DRIVE ARM ASSEMBLY

INDEX	PART NUMBER	DESCRIPTION	QTY
1	4975015	DRIVE ARM AND STUD ASSEMBLY L.H.	1
2	4975014	ARM - DOOR DRIVE - SHORT	1
3	1106656	CARRIAGE BOLT - #8-32 X 5/16 ZP	2
4	4407053	PLATE - TOGGLE - L.H.	1
5	1306140	8-32 X 3/8 CARR BOLT BLK/OX	2
6	4407067	DRIVE RACK ARM ASSEMBLY	1
7	4407066	RACK - DRIVE	1
8	9900072	NUT - #8-32 SELF-LOCKING	2
9	4975013	PIVOT - TOGGLE ARM	1
10	4407055	ROLLER - DRIVE RACK	1
11	4975011	ARM - TOGGLE	1
12	9900425	RETAINING RING REINF E TYP .250	1
13	4407133	COVER - TOGGLE - L.H.	1
14	1412046	8-32 NUT MF 23TW832 BLOX	2
15	1451097	SCREW - #8-32 X .31 HEX HD TF-BLK	1

NOTE: FOR ATTACHMENT DETAILS, SEE FIGURE 80.



497p0032

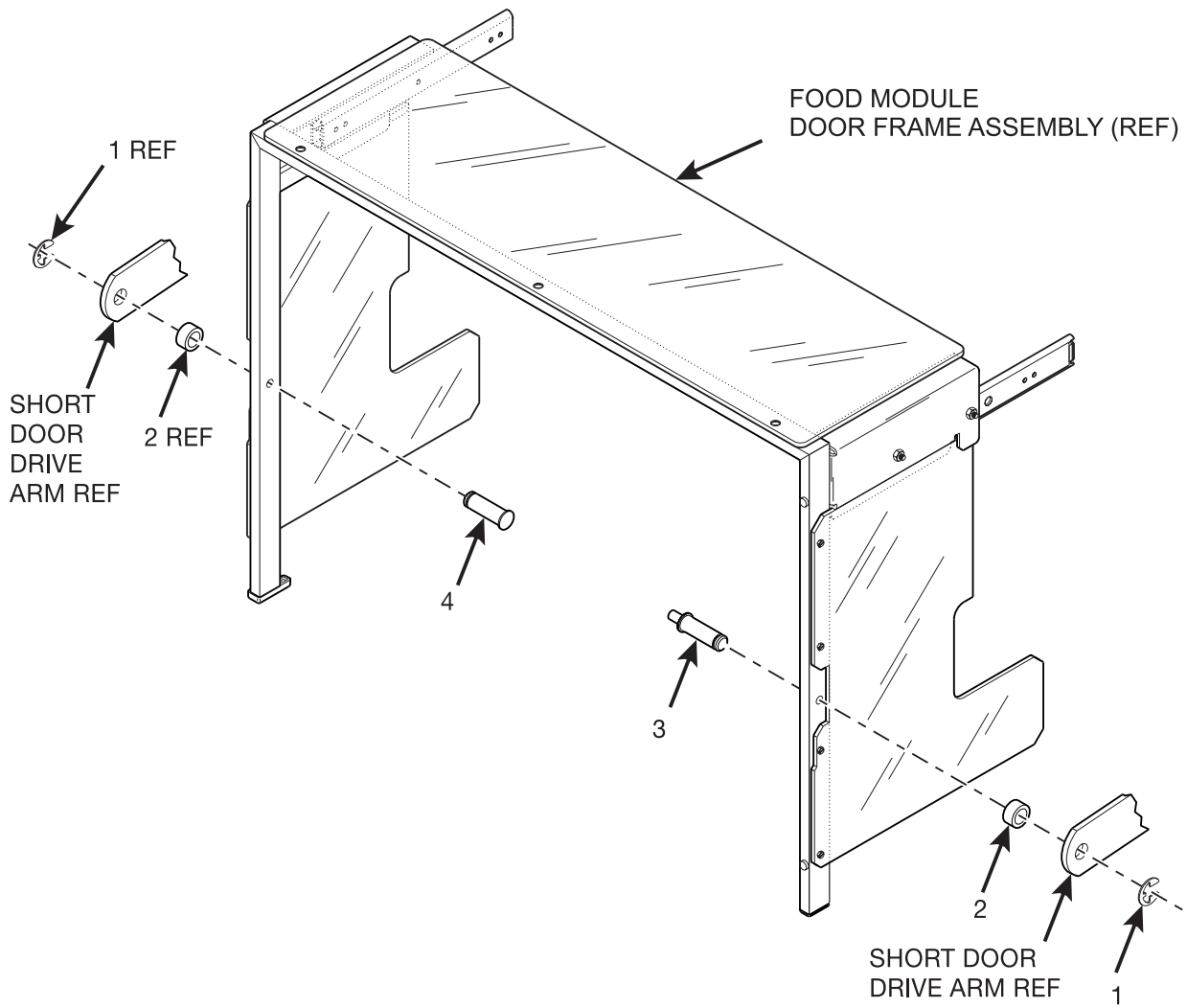
Figure 79. Right Hand Drive Arm Assembly

Expanded Refreshment Center Parts Manual

TABLE 78. RIGHT HAND DRIVE ARM ASSEMBLY

INDEX	PART NUMBER	DESCRIPTION	QTY
1	1451097	SCREW - #8-32 X .31 HEX HD TF-BLK	1
2	9900072	NUT - #8-32 SELF-LOCKING	2
3	4407066	RACK - DRIVE	1
4	4407067	DRIVE RACK ARM ASSEMBLY	1
5	1306140	8-32 X 3/8 CARR BOLT BLK/OX	2
6	4407070	PLATE - TOGGLE - R.H.	1
7	4975013	PIVOT - TOGGLE ARM	1
8	4407055	ROLLER - DRIVE RACK	1
9	4975011	ARM - TOGGLE	1
10	9900425	RETAINING RING REINF E TYP .250	1
11	1106656	CARRIAGE BOLT - #8-32 X 5/16 ZP	2
12	4975014	ARM - DOOR DRIVE - SHORT	1
13	4975019	DRIVE ARM AND STUD ASSEMBLY R.H.	1
14	1412046	8-32 NUT MF 23TW832 BLOX	2
15	4407134	COVER - TOGGLE - R.H.	1

NOTE: FOR ATTACHMENT DETAILS, SEE FIGURE 80.



497P0051

Figure 80. Drive Arm Assembly Attachment Details

Expanded Refreshment Center Parts Manual

TABLE 79. DRIVE ARM ASSEMBLY ATTACHMENT DETAILS

INDEX	PART NUMBER	DESCRIPTION	QTY
1	9900431	RETAINING RING - REINF. E TYP .312	2
2	4977003	SPACER	2
3	4977004	STUD - FRAME DRIVE ARM - R.H.	1
4	4977002	STUD - FRAME DRIVE ARM - L.H.	1

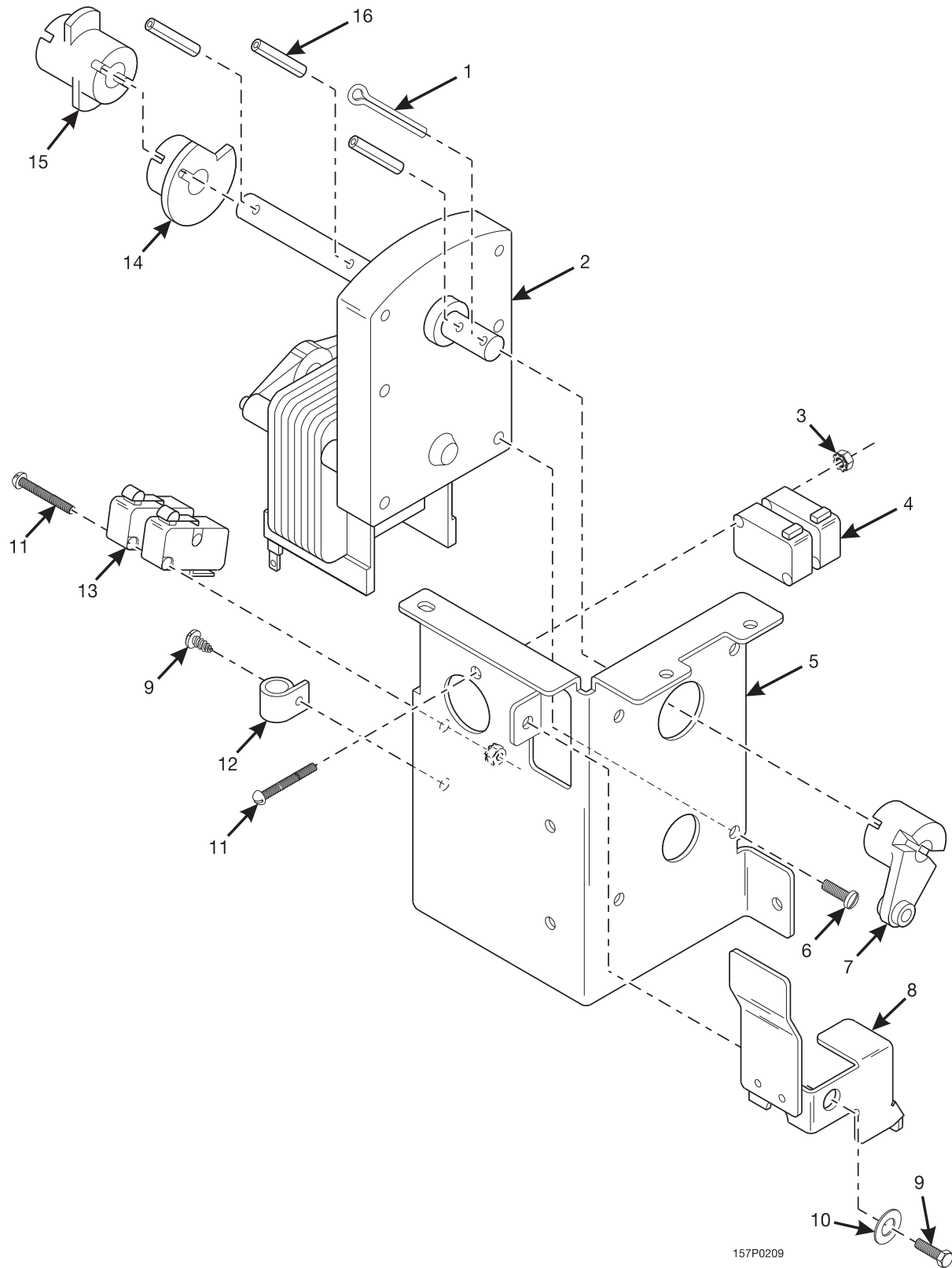
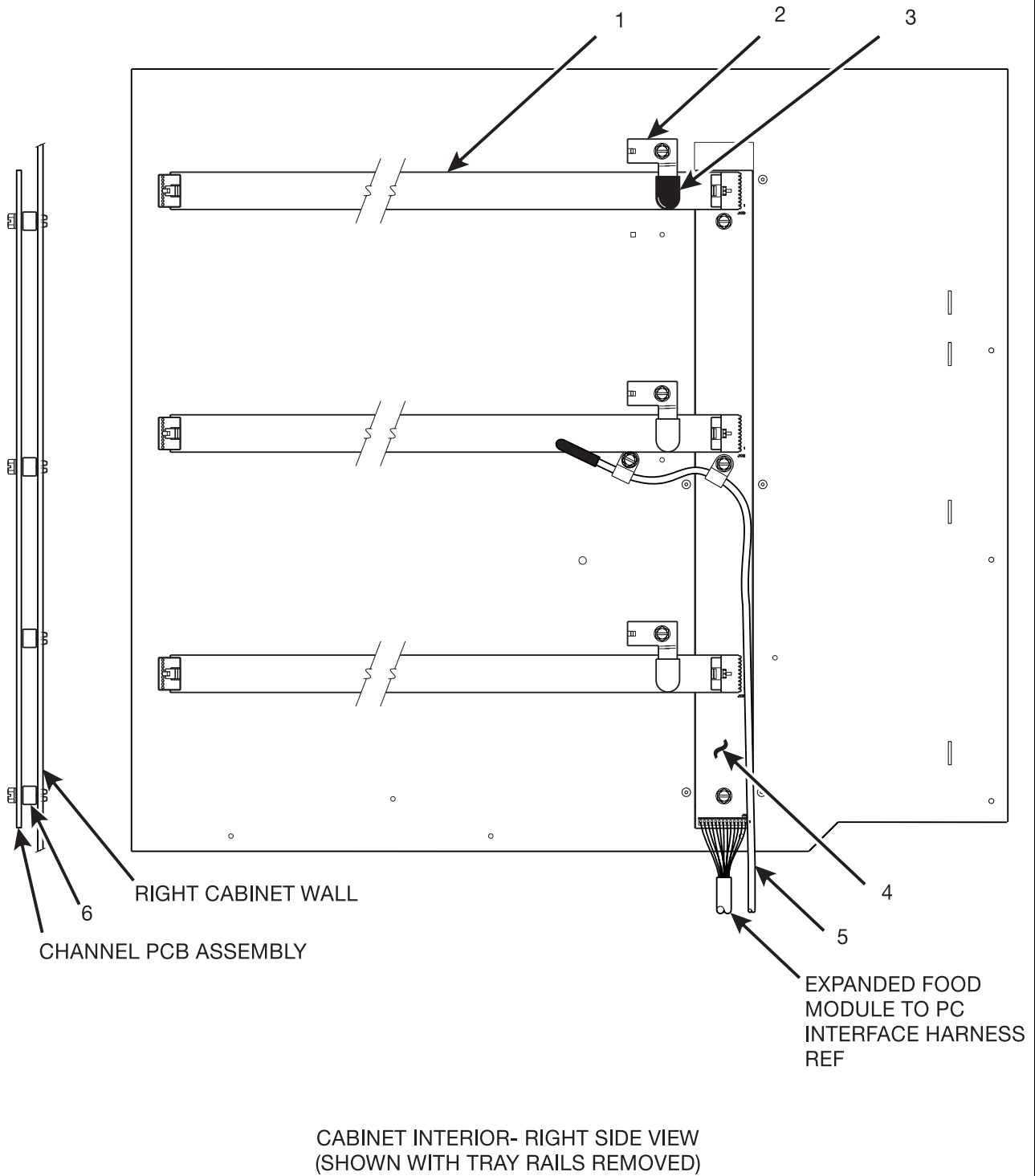


Figure 81. Motor Mounting Bracket Assembly

Expanded Refreshment Center Parts Manual

TABLE 75. MOTOR MOUNTING BRACKET ASSEMBLY

INDEX	PART NUMBER	DESCRIPTION	QTY.
-	4407077	MOTOR MOUNTING BRACKET ASSEMBLY	-
1	9900098	COTTER PIN - 3/32 X 3/4 IN	1
2	4407157	MOTOR - FOOD MODULE	1
3	1217159	4-40 KEPS W/EXT L/WAS H ZP	4
4	9984632	SWITCH - BASIC	2
5	4407131	MOUNTING BRACKET - MOTOR	1
6	9900023	SCREW #8-32 X .37 PHS W/LW	4
7	4407079	ARM - DRIVE	1
8	4407084	ACTUATOR ASSEMBLY - H.C. SWITCH	1
9	1451097	SCREW - #8-32X.31 HEX HD.TF - BLK.	2
10	2228011	SPACER RELEASE ARM	1
11	5201086	SCREW #4 40 X 1 RHS	4
12	1452139	RETAINER HARNESS	1
13	9984634	SWITCH ROLLER LEVER	2
14	4407093	CAM - H.C.SWITCH OVERRIDE	1
15	4407080	COUPLING - MOTOR & DRIVE SHAFT	1
16	3127034	ROLL PIN 1/8 X 13/16	3



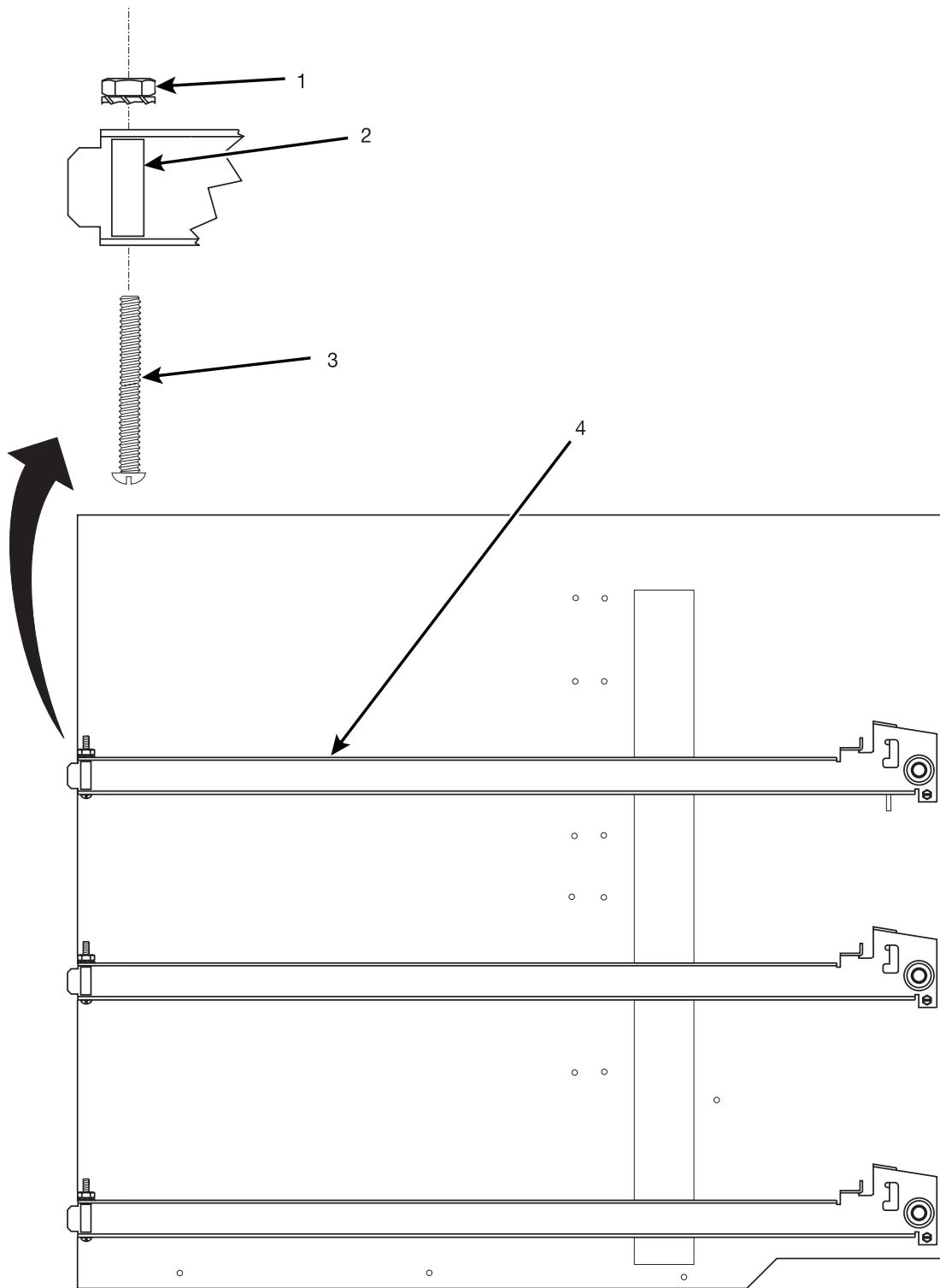
497P0062

Figure 82. Food Module Cabinet Interior - Right Side (Part 1 of 2)

Expanded Refreshment Center Parts Manual

TABLE 81. FOOD MODULE CABINET INTERIOR - RIGHT SIDE (PART 1 OF 2)

INDEX	PART NUMBER	DESCRIPTION	QTY.
1	4979000	FLAT CABLE ASSEMBLY	3
2	4407156	KEEPER - HARNESS	3
3	4407014	RECTANGULAR CLOSURE	3
4	4976103	PCB ASSEMBLY - CHANNEL - EXPANDED FOOD	1
5	4119013	PROBE - TEMPERATURE SENSOR	1
6	4041049	SPACER - PRICE BOARD	4



CABINET INTERIOR - RIGHT SIDE VIEW

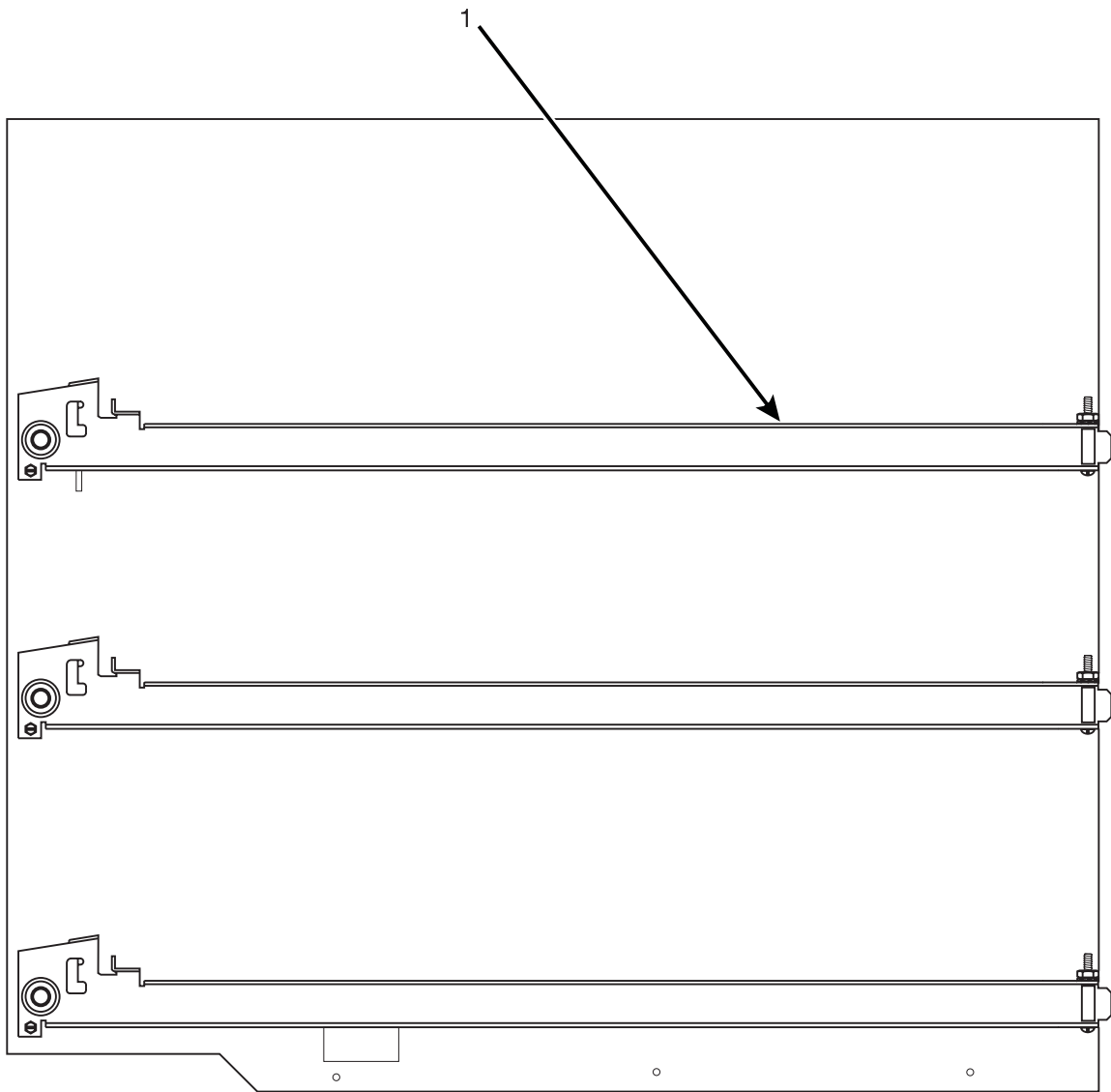
497p0063

Figure 83. Food Module Cabinet Interior - Right Side (Part 2 of 2)

Expanded Refreshment Center Parts Manual

TABLE 82. FOOD MODULE CABINET INTERIOR - RIGHT SIDE (PART 2 OF 2)

INDEX	PART NUMBER	DESCRIPTION	QTY.
1	6104424	NUT - #10-32 SS EXT. LW	3
2	4407016	WIRE COVER - 6138236 - .208 X .88	3
3	4402037	SCREW - #10-32 X 1-1/2 RHS - SS	3
4	4407020	RAIL AND STOP ASSEMBLY - R.H.	3



CABINET INTERIOR - LEFT SIDE VIEW

497p0061

Figure 84. Cabinet Interior - Left Side View

Expanded Refreshment Center Parts Manual

TABLE 83. CABINET INTERIOR - LEFT SIDE VIEW

INDEX	PART NUMBER	DESCRIPTION	QTY.
1	4407015	RAIL AND STOP ASSEMBLY - L.H.	3

Expanded Refreshment Center Parts Manual

FOOD MODULE - CABINET INTERIOR

INNER CEILING AND WALL OF FOAM BOX ASSEMBLY

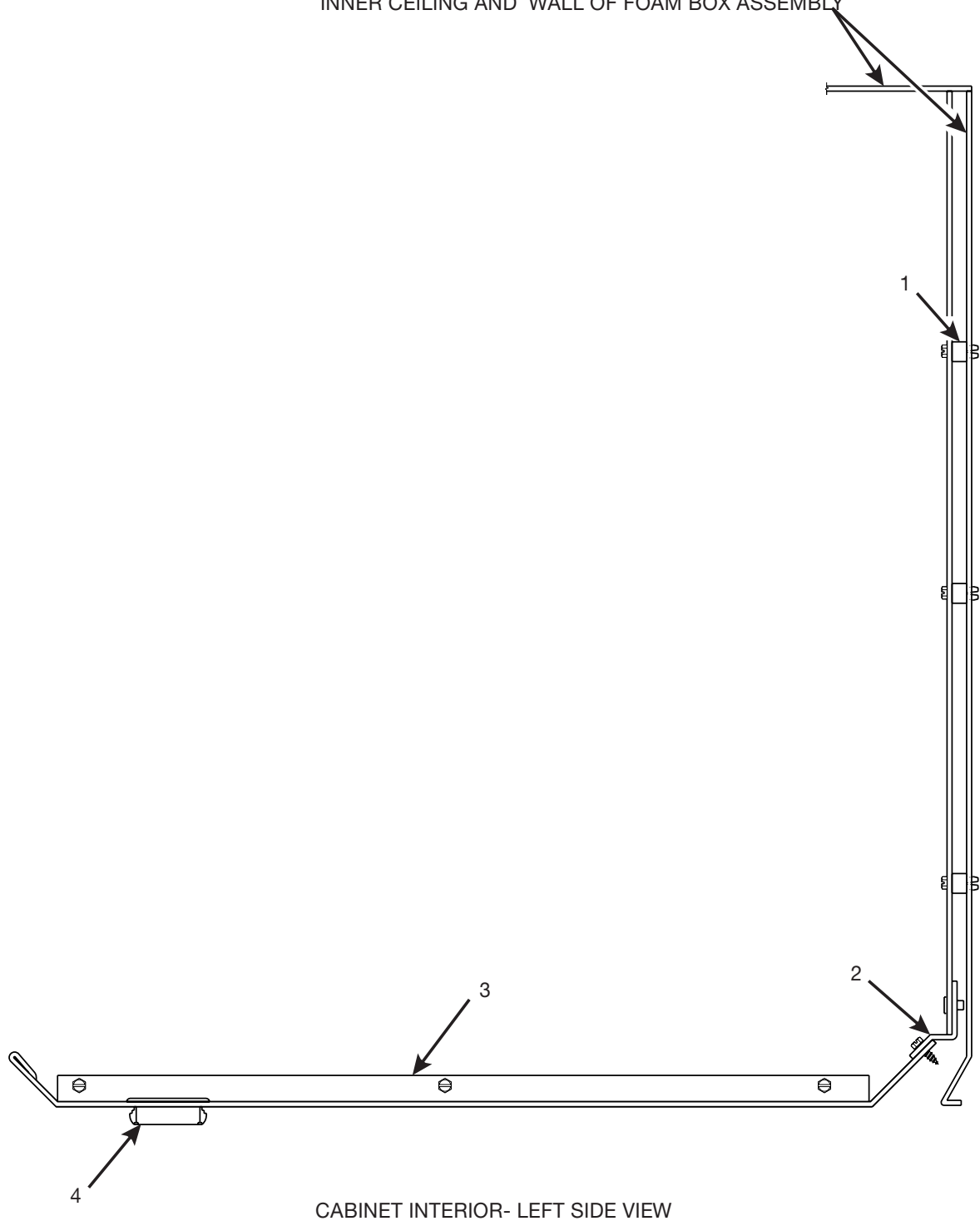


Figure 85. Food Module Cabinet Interior - Section

497P0064

Expanded Refreshment Center Parts Manual

TABLE 84. FOOD MODULE CABINET INTERIOR - SECTION

INDEX	PART NUMBER	DESCRIPTION	QTY.
1	4241165	SPACER - LINER .375 LG X .500 DIA	5
2	4975048	SUPPORT - AIR DUCT - COLD FOOD	1
	4975050	AIR DUCT ASSEMBLY - FROZEN FOOD	
3	4975021	PANEL - LINER - BOTTOM	1
4	3106186	BUSHING #SB1187-15	1

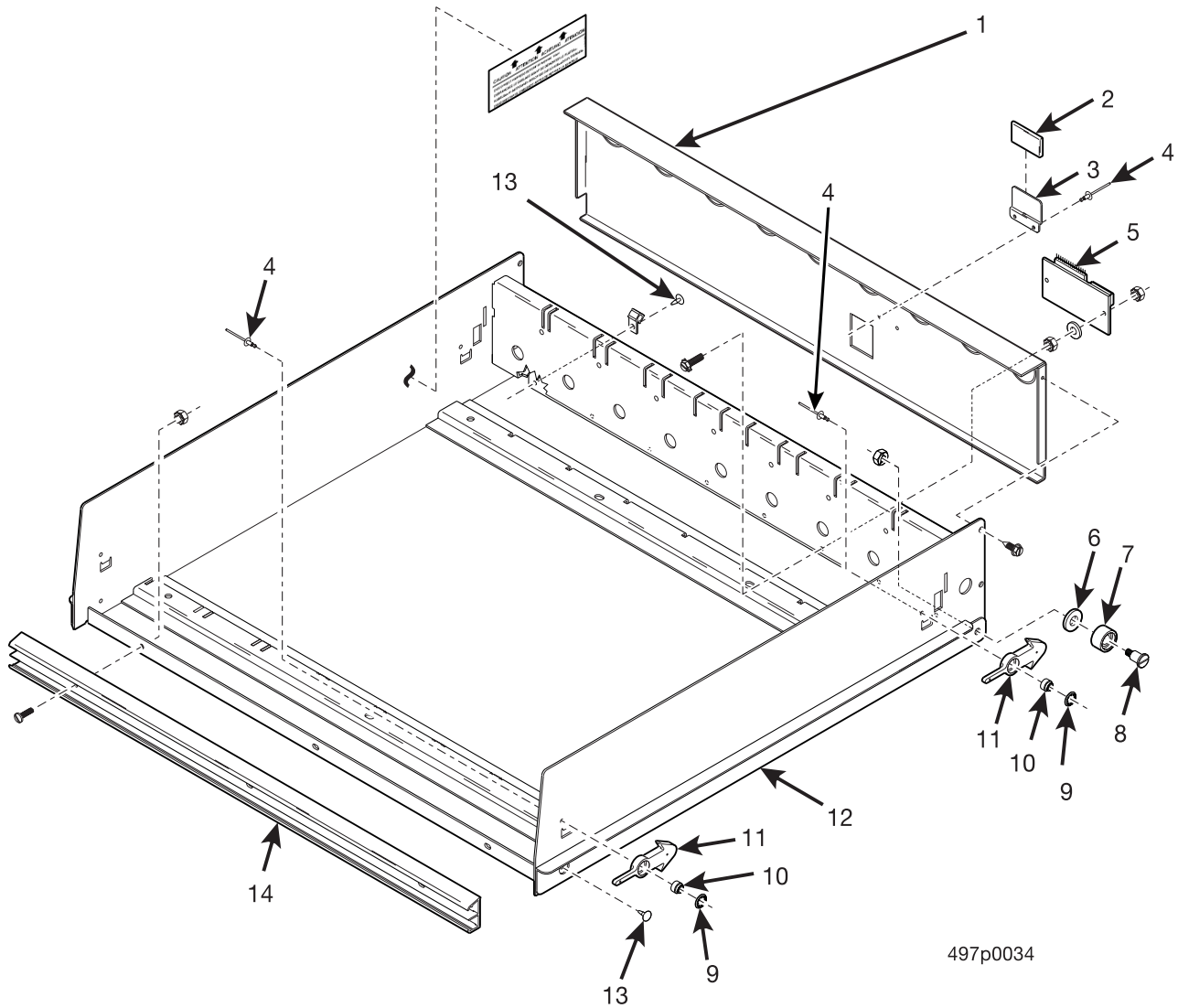
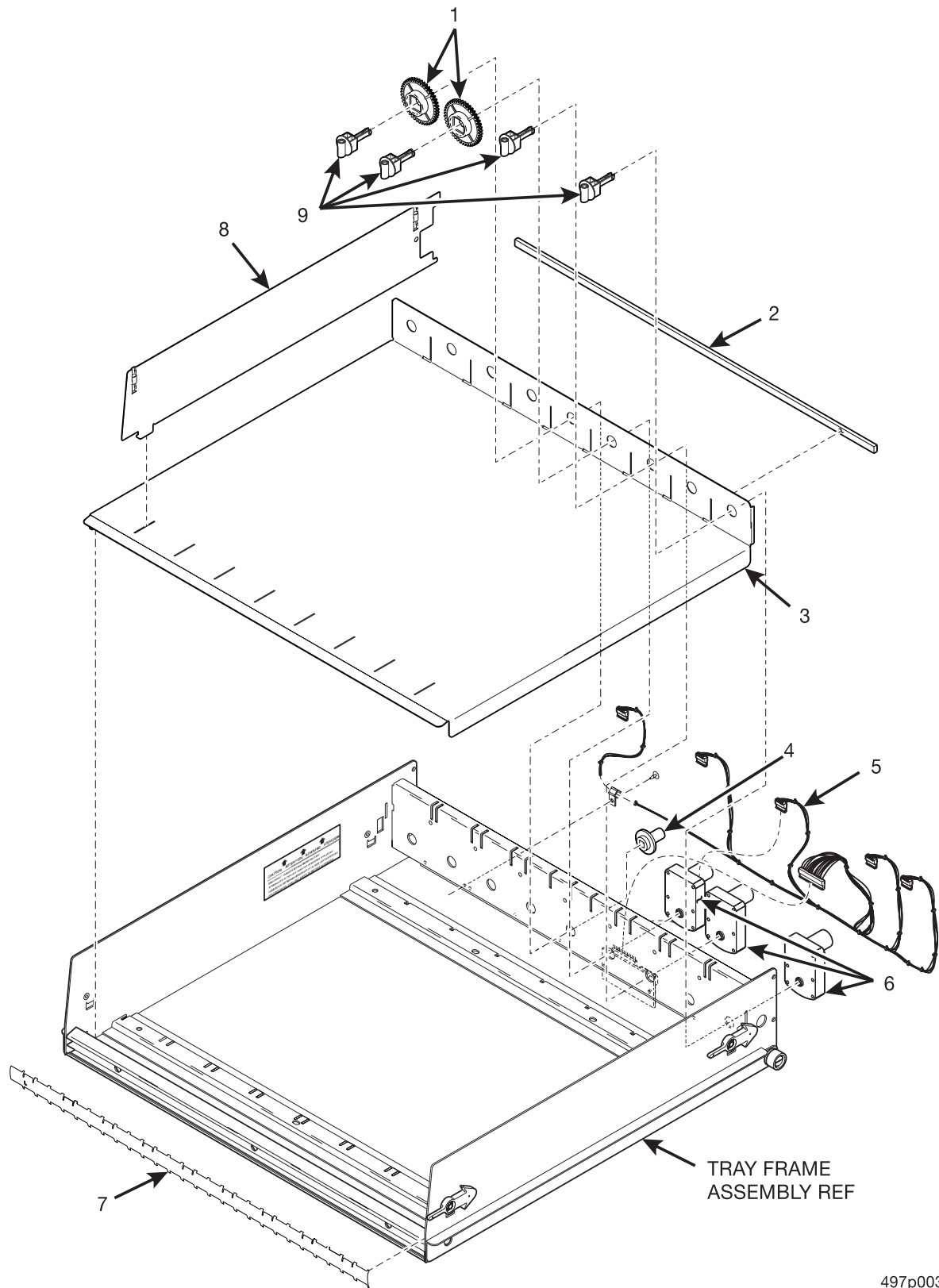


Figure 86. Food Module Tray Frame Assembly

Expanded Refreshment Center Parts Manual

TABLE 85. FOOD MODULE TRAY FRAME ASSEMBLY

INDEX	PART NUMBER	DESCRIPTION	QTY.
-	4977220	TRAY FRAME ASSEMBLY	-
1	4977221	COVER - TRAY MOTORS	1
2	4977212	RECTANGULAR CLOSURE	1
3	4977214	BRACKET - CABLE CLAMP	1
4	3502078	RIVET - POP - .125 DIA X.265	-
5	4976105	PCB ASSEMBLY - TRAY - EXPANDED FOOD	1
6	5220042	NYLON WASHER	2
7	4407019	ROLLER - TRAY	2
8	4407514	STUD - TRAY ROLLER	2
9	5201267	PUSH-ON RETAINER .312	4
10	4977208	STUD - LATCH - TRAY	4
11	1477017	LATCH	4
12	4977218	TRAY ASSEMBLY - WELD	1
13	4042556	CANOE CLIP	7
14	4975026	RAIL - PRICE AND SELECTION	1



497p0036

Figure 87. Spiral Tray Assembly - 5, 6, and 9 Motor

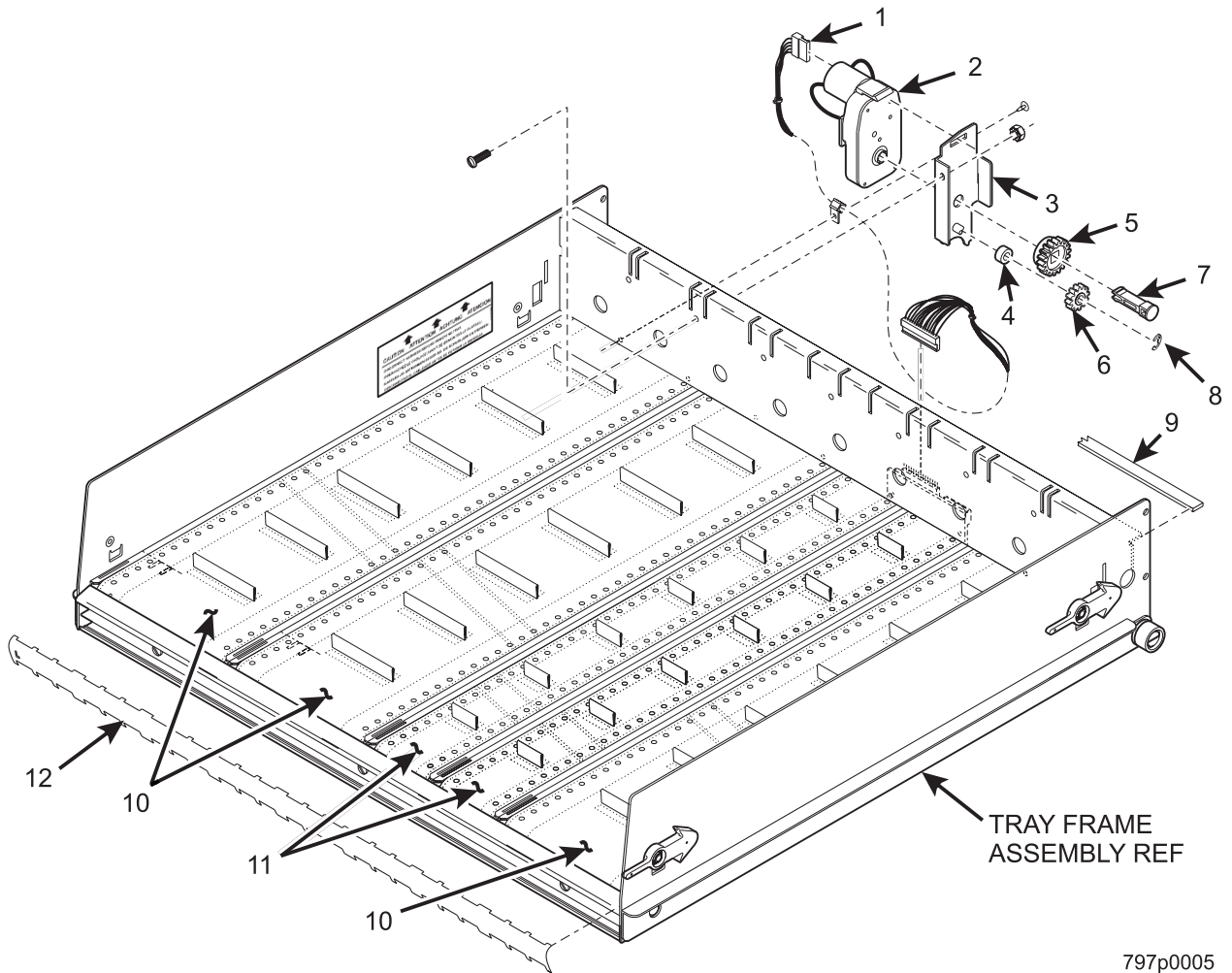
Expanded Refreshment Center Parts Manual

TABLE 86. SPIRAL TRAY ASSEMBLY - 5, 6, AND 9 MOTOR

INDEX	PART NUMBER	DESCRIPTION	# OF MOTORS IN TRAY			
			5	6	8	9
-	4977431	SPIRAL MODULE ASSEMBLY - 5 MOTOR	X			
-	4977430	SPIRAL MODULE ASSEMBLY - 6 MOTOR		X		
-	4977433	SPIRAL MODULE ASSEMBLY - 8 MOTOR			X	
-	4977432	SPIRAL MODULE ASSEMBLY - 9 MOTOR				X
1	1477020	GEAR - TRAY	6	-	-	-
2	4977405	GASKET - FOAM TAPE - .38	1	1	1	1
3	4977401	BASE - SPIRAL TRAY	1	1	1	1
4	1477022	BEARING - COUPLER	3	-	-	-
5	4979002	HARNESS - TRAY EXPAN. MOD - 5 SELECT	1	-	-	-
	4979001	HARNESS - TRAY - EXPAN. MOD - 9 SELECT	-	1	1	1
6	4744555	MOTOR AND PCB ASSEMBLY	5	6	8	9
7	4977402	HOLDER - PRICE/SELECTION - SPIRAL	1	1	1	1
8	4977404	WALL - SPIRAL TRAY	3	2	3	8
9	1477113	COUPLING - SPIRAL	9	6	8	9

TABLE 86 A. SPIRAL OPTIONS

			PART NUMBERS			
			LEFT HAND		RIGHT HAND	
Spiral Count	Retainer Color	Retainer	Assembly	Spiral	Assembly	Spiral
5	TAN	4407817	4977410	4977411	4977412	4977413
6	DARK GREEN	4407822	4977414	4977415	4977416	4977417
7	MAUVE	4407827	4977418	4977419	4977420	4977421
9	AQUA	4407833	4977422	4977423	4977424	4977425
12	BLACK	1477073	4977426	4977427	4977428	4977429



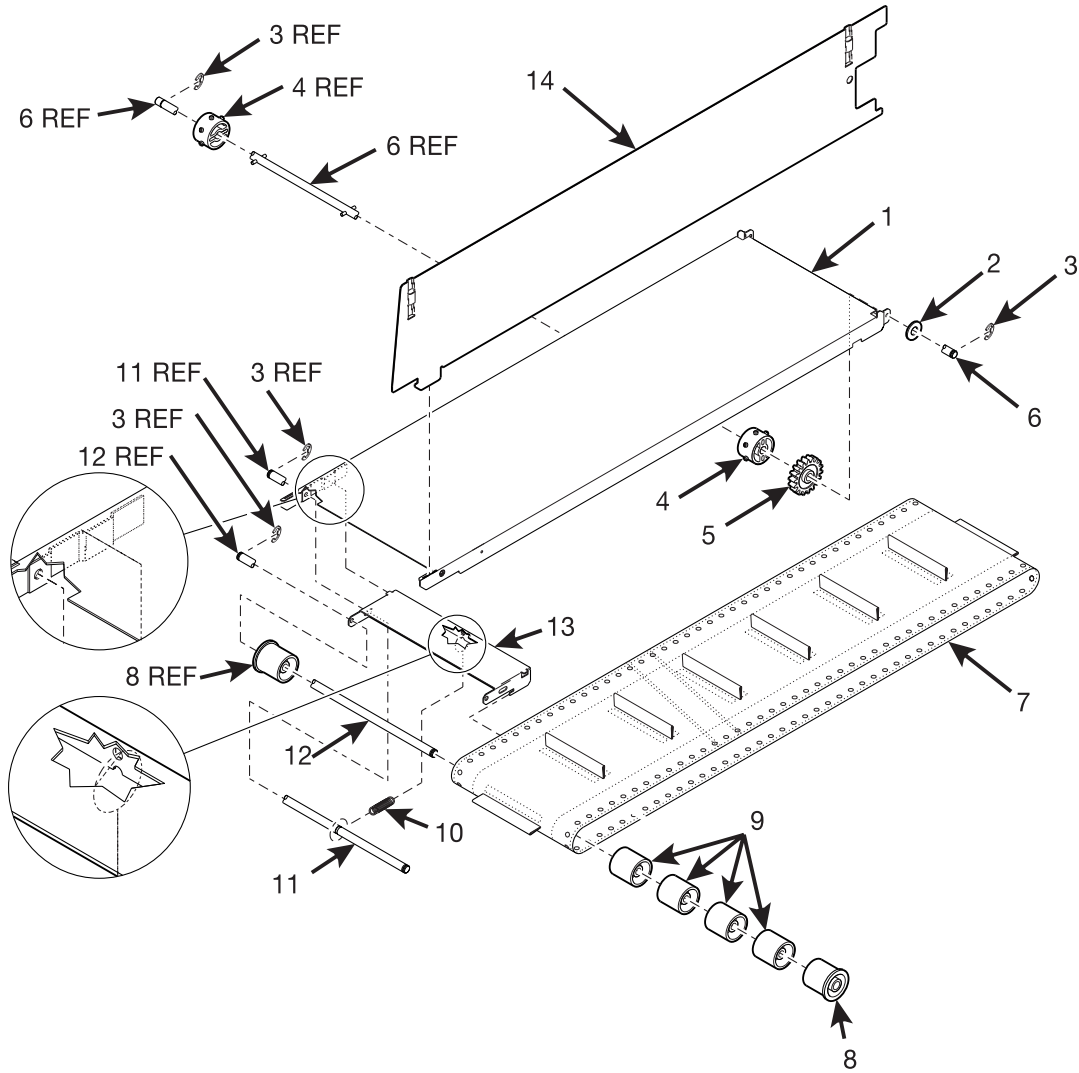
797p0005

Figure 88. Belt Module Tray Assembly

Expanded Refreshment Center Parts Manual

TABLE 87. BELT MODULE TRAY ASSEMBLY

INDEX	PART NUMBER	DESCRIPTION	QTY.
-	4977335	BELT MODULE AND TRAY ASSEMBLY - 5 MOTOR	-
	4977334	BELT MODULE AND TRAY ASSEMBLY - 4 MOTOR (NOT SHOWN)	
	4977349	BELT MODULE AND TRAY ASSEMBLY - 8 MOTOR (NOT SHOWN)	
1	4979006	HARNESS - TRAY - EXPAN. MOD - 8 SELECT (USED IN 5 AND 8 MOTOR TRAY ASSEMBLIES)	1
	4979003	HARNESS - TRAY - EXPAN. MOD - 4 SELECT (4 MOTOR TRAY ONLY)	
2	4977312	MOTOR AND PCB ASSEMBLY	OPT.
3	4977347	BRACKET/MOTOR AND STUD MOUNTING ASSEMBLY	OPT.
4	4977325	SPACER	OPT
5	4977316	GEAR - DRIVE - MOTOR	OPT
6	4407712	COUPLING - MOTOR	OPT
7	3103029	WALDES TRUARC RING	OPT
8	4977315	RETAINER - DIVIDER - WALL	1
9	4407616	GEAR - IDLER - BELT MODULE	5
10	4977322	BELT AND SUPPORT ASSEMBLY - SINGLE (SEE FIGURE 89 FOR DETAILS)	OPT
11	4977323	BELT AND SUPPORT ASSEMBLY - DUAL (SEE FIGURE 90 FOR DETAILS)	OPT.
12	4977310	HOLDER - PRICE AND SELECTION	1



497p0087

Figure 89. Belt and Support Assembly - Single

Expanded Refreshment Center Parts Manual

TABLE 88. BELT AND SUPPORT ASSEMBLY - SINGLE			
INDEX	PART NUMBER	DESCRIPTION	QTY.
-	4977322	BELT AND SUPPORT ASSEMBLY - SINGLE	-
1	4977318	BELT AND SUPPORT ASSEMBLY WELD - SINGLE	1
2	9900041	WASHER - BRASS - 9/16 X .260 X .040	1
3	3103029	WALDES TRUARC RING	4
4	4407619	SPROCKET - DRIVE	2
5	4407618	GEAR - BELT DRIVE	1
6	4977341	DRIVE SHAFT ASSEMBLY	1
7	4977337	BELT - CONVEYOR - SINGLE	1
8	4407611	ROLLER - BELT - OUTSIDE	2
9	4407612	ROLLER - BELT - INSIDE	4
10	3108221	SCREW - #8-32 X 3/8 PHS ST. STL	-
11	4977343	SHAFT - BELT TENSIONER - DUAL	1
12	4977340	SHAFT BELT - FRONT	1
13	4977339	SUPPORT - BELT END	1
14	4977404	WALL - SPIRAL TRAY (4-BELT TRAY)	3
		WALL - SPIRAL TRAY (5-BELT TRAY)	4
		WALL - SPIRAL TRAY (8-BELT TRAY)	7

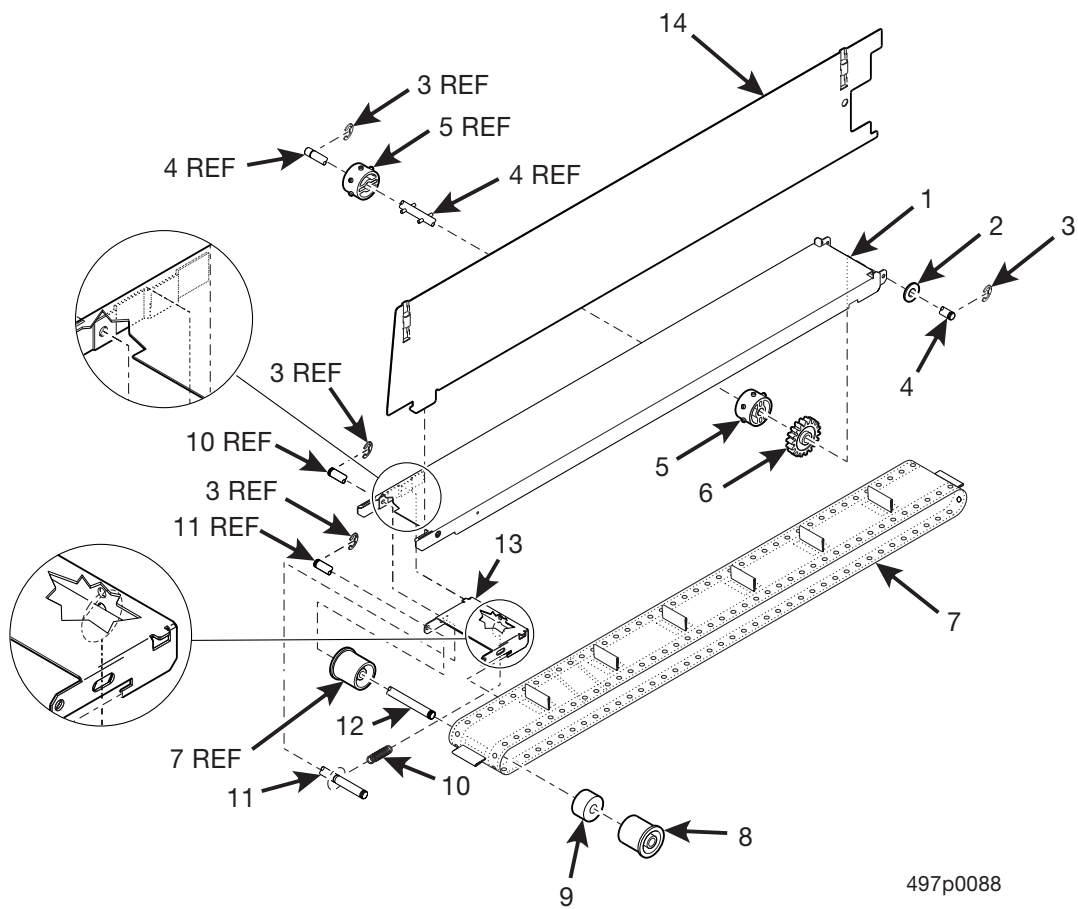


Figure 90. Belt and Support Assembly - Dual

Expanded Refreshment Center Parts Manual

TABLE 89. BELT AND SUPPORT ASSEMBLY - DUAL

INDEX	PART NUMBER	DESCRIPTION	QTY.
-	4977323	BELT AND SUPPORT ASSEMBLY - DUAL	-
1	4977319	BELT AND SUPPORT ASSEMBLY WELD - DUAL	1
2	9900041	WASHER - BRASS - 9/16 X .260 X .040	1
3	3103029	WALDES TRUARC RING	4
4	4977328	DRIVE SHAFT ASSEMBLY - DUAL	1
5	4407619	SPROCKET - DRIVE	2
6	4407618	GEAR - BELT DRIVE	1
7	4977326	BELT - CONVEYOR - DUAL	1
8	4407611	ROLLER - BELT - OUTSIDE	2
9	4977329	SPACER	2
10	4407607	SPRING - BELT TENSION	1
11	4977343	SHAFT - BELT TENSIONER - DUAL	1
12	4977330	SHAFT BELT - FRONT - DUAL	1
13	4977326	SUPPORT - BELT END - DUAL	1
14	4977404	WALL - SPIRAL TRAY (4-BELT TRAY)	3
		WALL - SPIRAL TRAY (5-BELT TRAY)	4
		WALL - SPIRAL TRAY (8-BELT TRAY)	7

Expanded Refreshment Center Parts Manual

TABLE 90. REFRIGERATION UNIT COMPONENTS

MACHINE CONFIGURATION	797 AMBIENT SNACK AND CAN (115 V DOMESTIC)	797 AMBIENT SNACK AND REFRIGERATED FOOD (115 V DOMESTIC)	797 AMBIENT SNACK AND FRO- ZEN FOOD (115 V DOMESTIC)	797 AMBIENT SNACK AND CAN (230 V INTERNATIONAL)	798 CHILLED SNACK AND CAN (230 V INTERNATIONAL)	798 CHILLED SNACK AND REFRIGERATED FOOD (230 V INTERNATIONAL)
	PART NUMBER					
PART DESCRIPTION	PART NUMBER					
REFRIGERATION UNIT ASSEMBLY	4974000	4974045	4974025	4974022	4984047	4984048
COMPRESSOR	4744108	4744108	7974008	4844014	4984016	4984016
COMPRESSOR COMPONENTS	4744106	4744106	7974009	4844015	4984015	4984015
CONDENSER	4744109	4744109	4984022	4744109	4984022	4984022
CONDENSER FAN MOTOR	4744112	4744112	4304092	3618157	4774122	4774122
CONDENSER FAN BLADE	3608149	3608149	4774027	3608149	4774027	4774027
EXPANSION DEVICE					4774087	4774087
EVAPORATOR - CHILLED SNACK					4984023	4984023
EVAPORATOR FAN ASSEMBLY					4874002	4874002
EXPANSION DEVICE	4844024	4844024		4844024	4774087	4774087
EVAPORATOR - CAN & REFRIGER- ATED FOOD	4744044	4744044		4744044	4984024	4984024
EVAPORATOR FAN ASSEMBLY	4724124	4724124		4844001	4844001	4844001
EXPANSION DEVICE			4744573			
EVAPORATOR - FROZEN FOOD			4974040			
EVAPORATOR FAN ASSEMBLY			4844000			
RETURN AIR TEMPERATURE PROBE	4119013	4119013	4119013	4119013	4119013	4119013
EPR VALVE					4774089	4774089
TRIAC	4646004	4846005	4644007	4646004	4646004	4846005

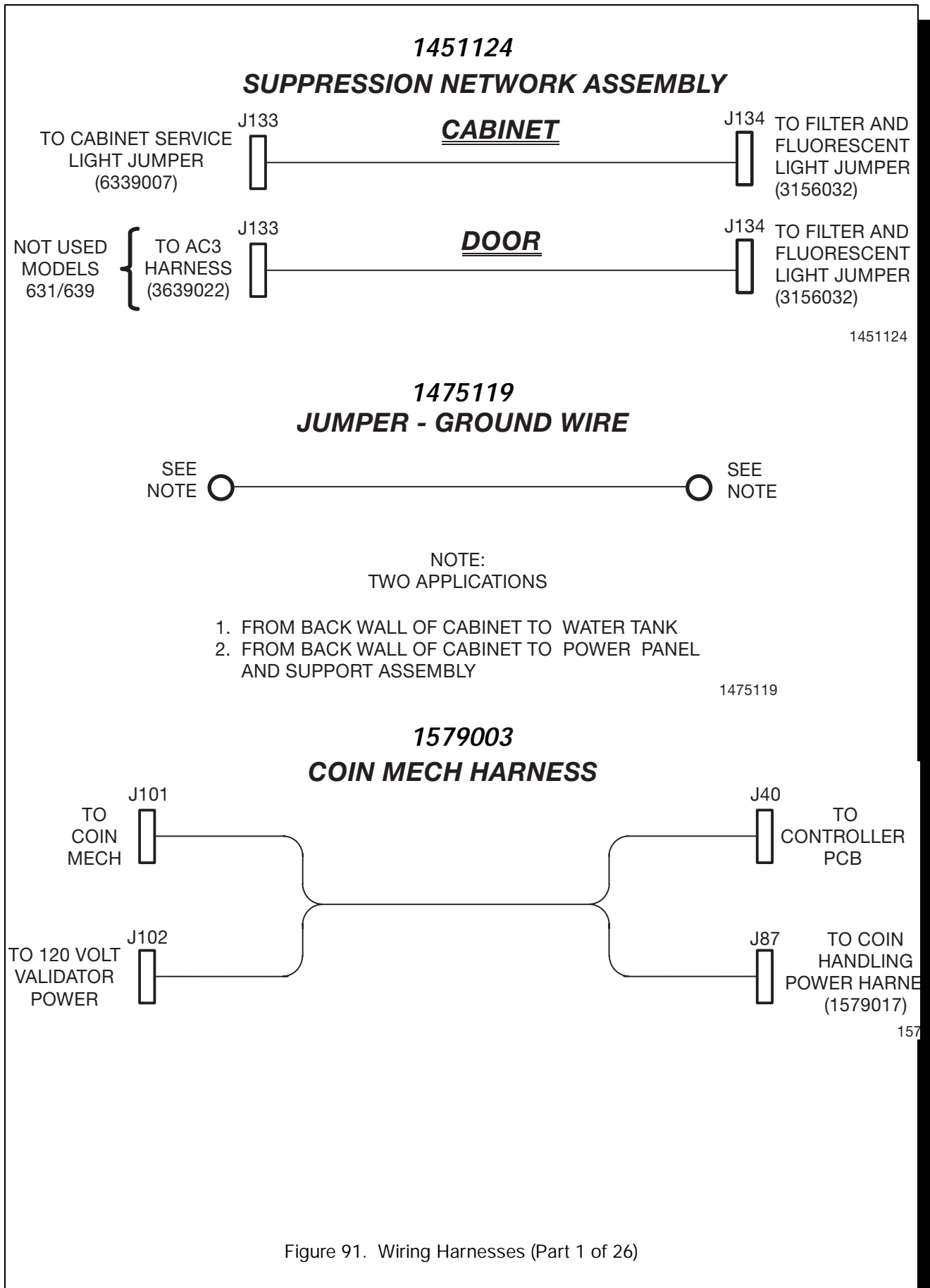
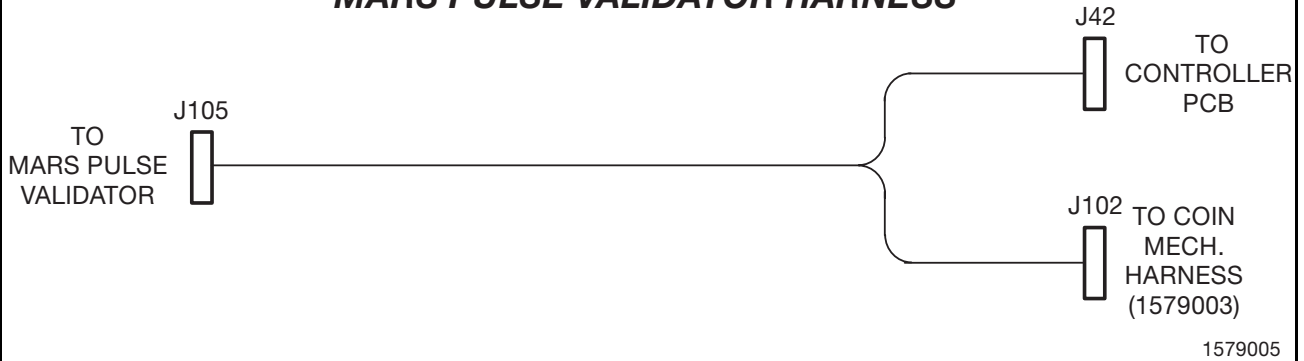


Figure 91. Wiring Harnesses (Part 1 of 26)

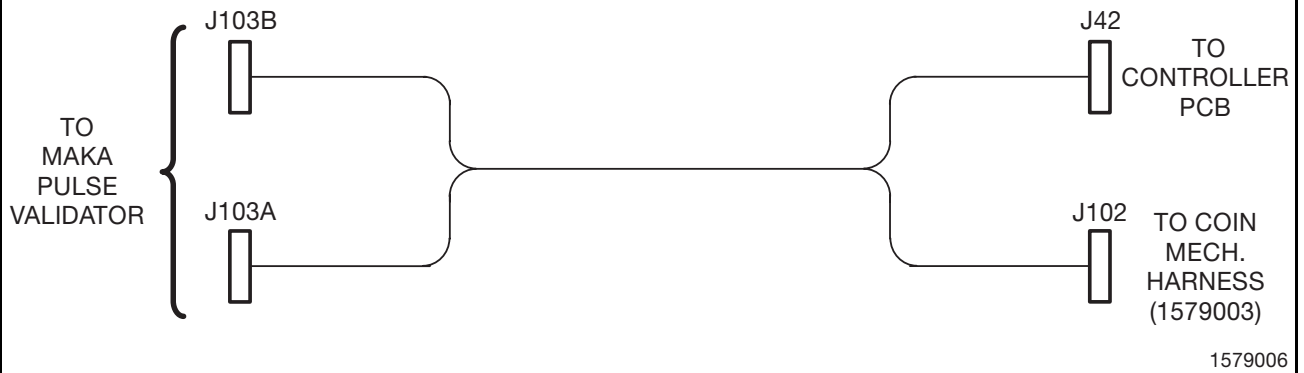
1579005

MARS PULSE VALIDATOR HARNESS



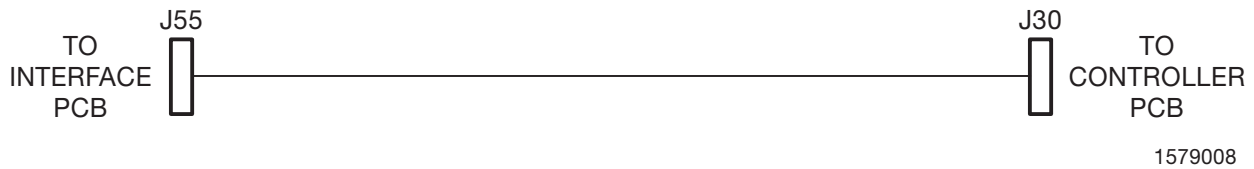
1579006

MAKA PULSE VALIDATOR HARNESS



1579008

16 CONDUCTOR RIBBON CABLE



1579009

MONETARY DOOR SWITCH JUMPER



Figure 91. Wiring Harnesses (Part 2 of 26)

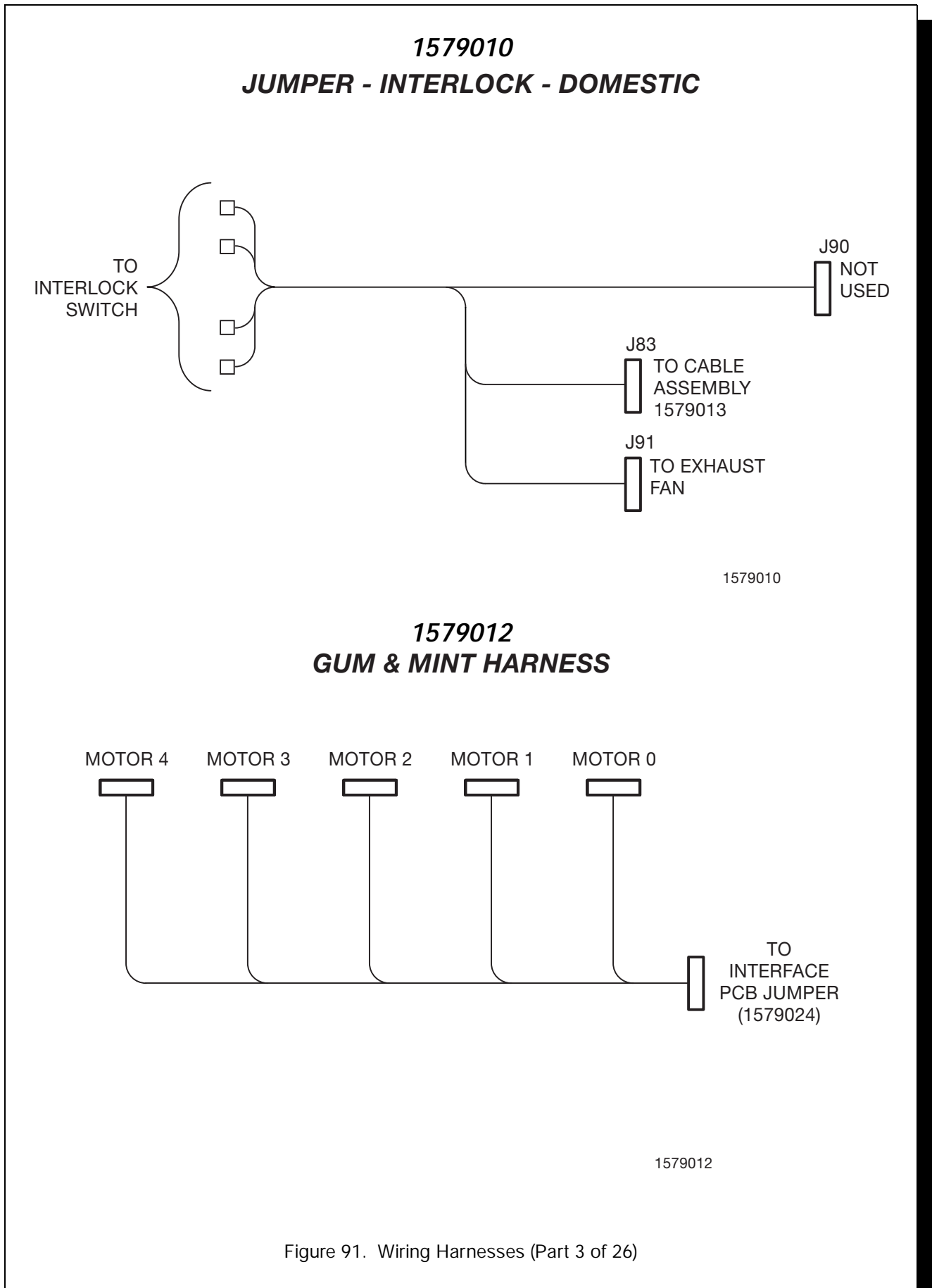
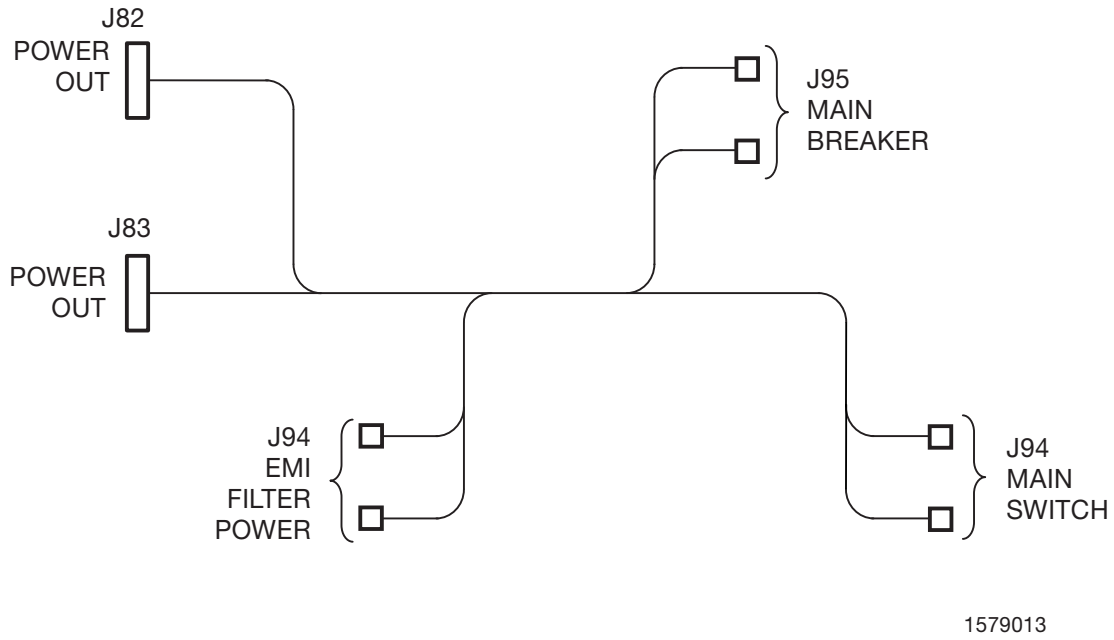


Figure 91. Wiring Harnesses (Part 3 of 26)

**1579013
HARNESS - POWER PANEL**



**1579017
HARNESS - COIN HANDLING POWER**

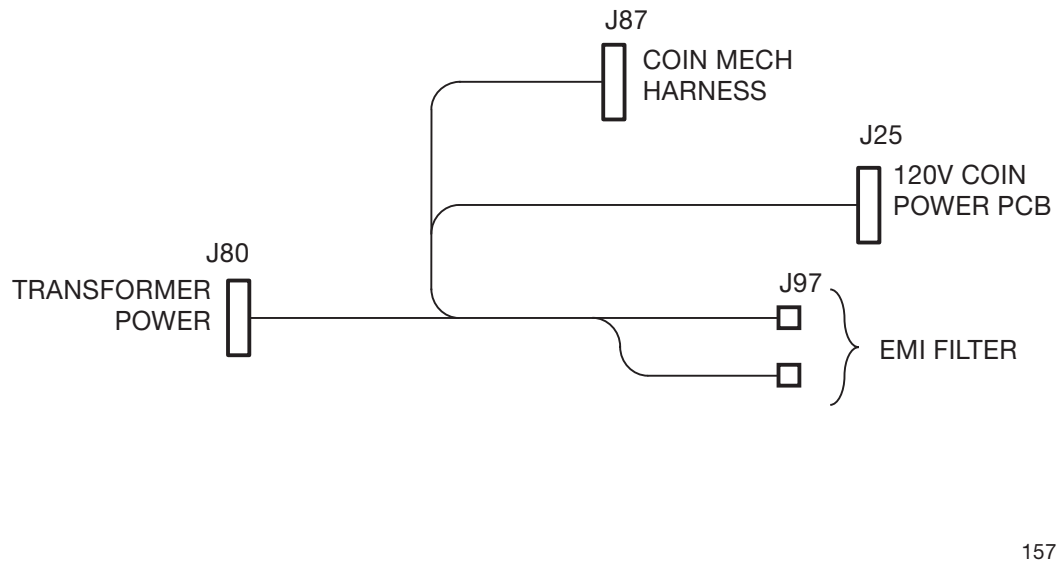
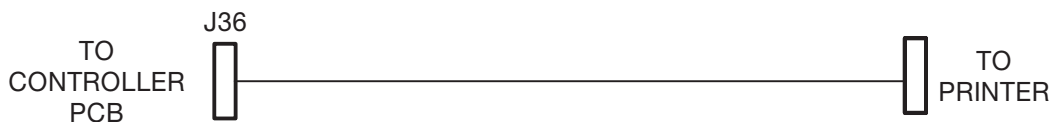


Figure 91. Wiring Harnesses (Part 4 of 26)

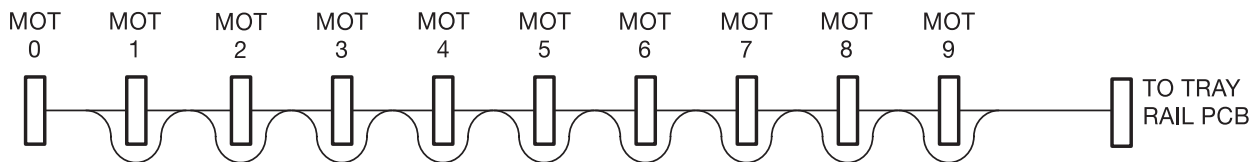
**1679056
DEX PRINTER INTERFACE HARNESS**



**1579021
POWER PANEL TO EXHAUST FAN JUMPER**



**1599019
10 MOTOR TRAY HARNESS**



1599019

**1579028
SERIAL VALIDATOR HARNESS**



1579028

Figure 92. Wiring Harnesses (Part 5 of 26)

1579032
HARNESS - SERIAL VALIDATORS
-24 VOLTS



1579034
MDB FOR COINCO BA30SA HARNESS

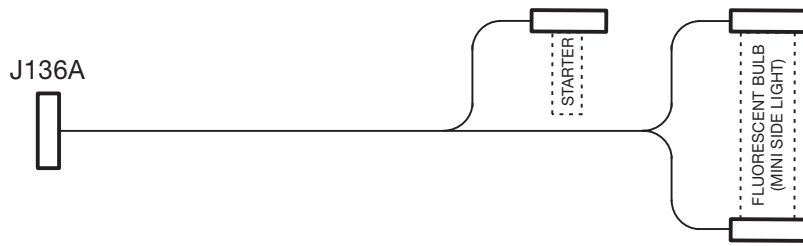


1579050
MDB FOR CONLUX MKA 2000 HARNESS



Figure 91. Wiring Harnesses (Part 6 of 26)

1582005
SMALL SNACK FLUORESCENT LIGHT HARNESS



1582005

1599010
3 TRAY CHANNEL HARNESS



1599017
5 MOTOR TRAY HARNESS

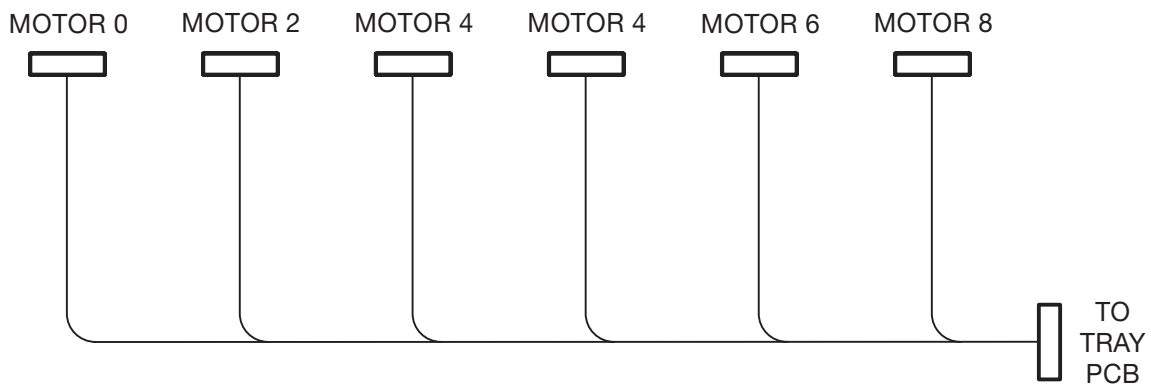
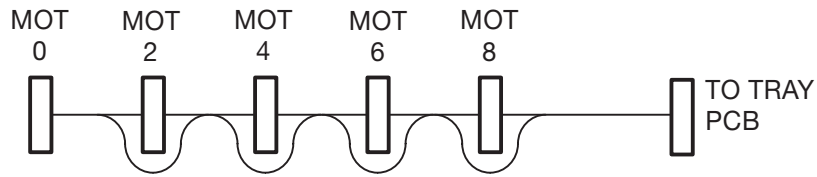


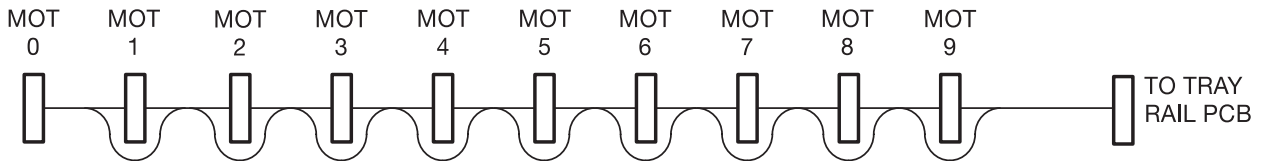
Figure 91. Wiring Harnesses (Part 7 of 26)

4979002
5 MOTOR TRAY HARNESS



1599019

1599019
10 MOTOR TRAY HARNESS



1599019

Figure 91. Wiring Harnesses (Part 8 of 26)

**1709000
HARNESS - POWER PANEL**

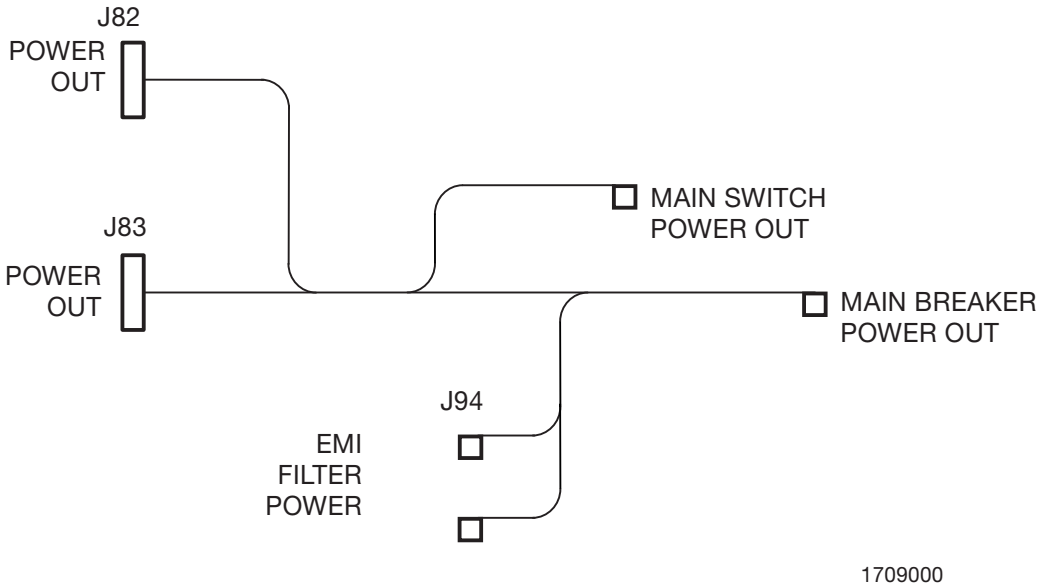


Figure 91. Wiring Harnesses (Part 9 of 26)

1709001
120V XFMR PRIMARY JUMPER

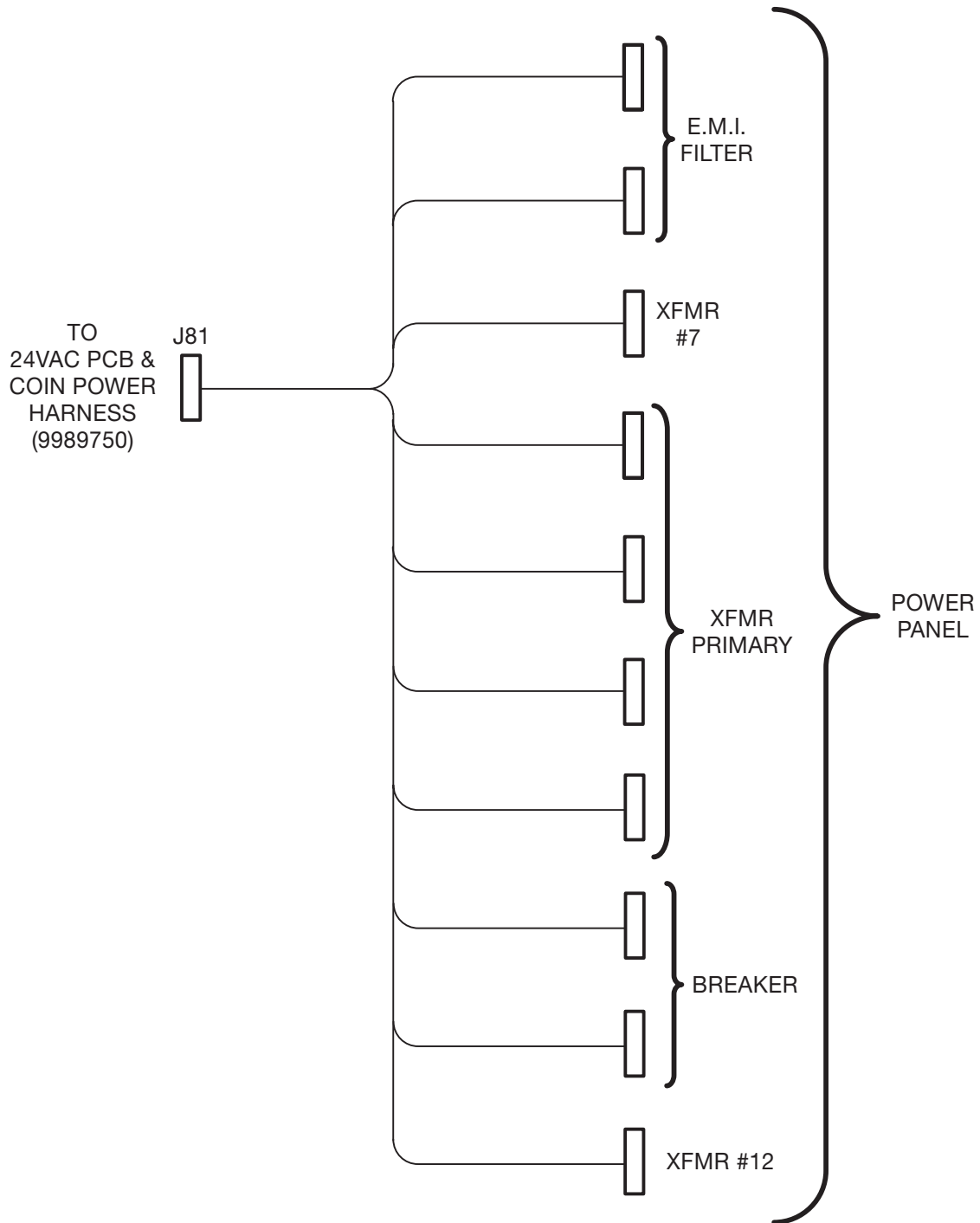
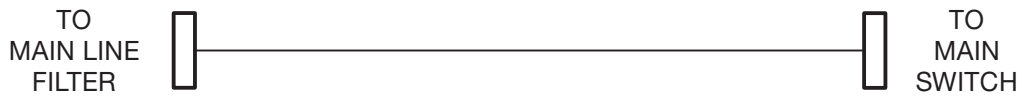
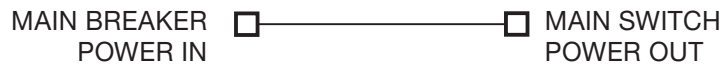


Figure 91. Wiring Harnesses (Part 10 of 26)

**1709002
MAIN LINE FILTER JUMPER**

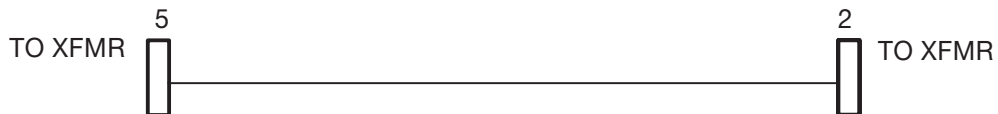


**1709006
JUMPER - BREAKER POWER**



170900

**4279001
JUMPER - 230V XFMR PRI**



4279001

**4849002
POWER PANEL TO COMPRESSOR JUMPER**



**4849003
COMPRESSOR TO FLUORESCENT LIGHT JUMPER**



Figure 91. Wiring Harnesses (Part 11 of 26)

4849008
FOOD MODULE FLUORESCENT LIGHT HARNESS



4849008

4849016
HARNESS - DOOR GLASS HTR. INTERLOCK - FROZEN

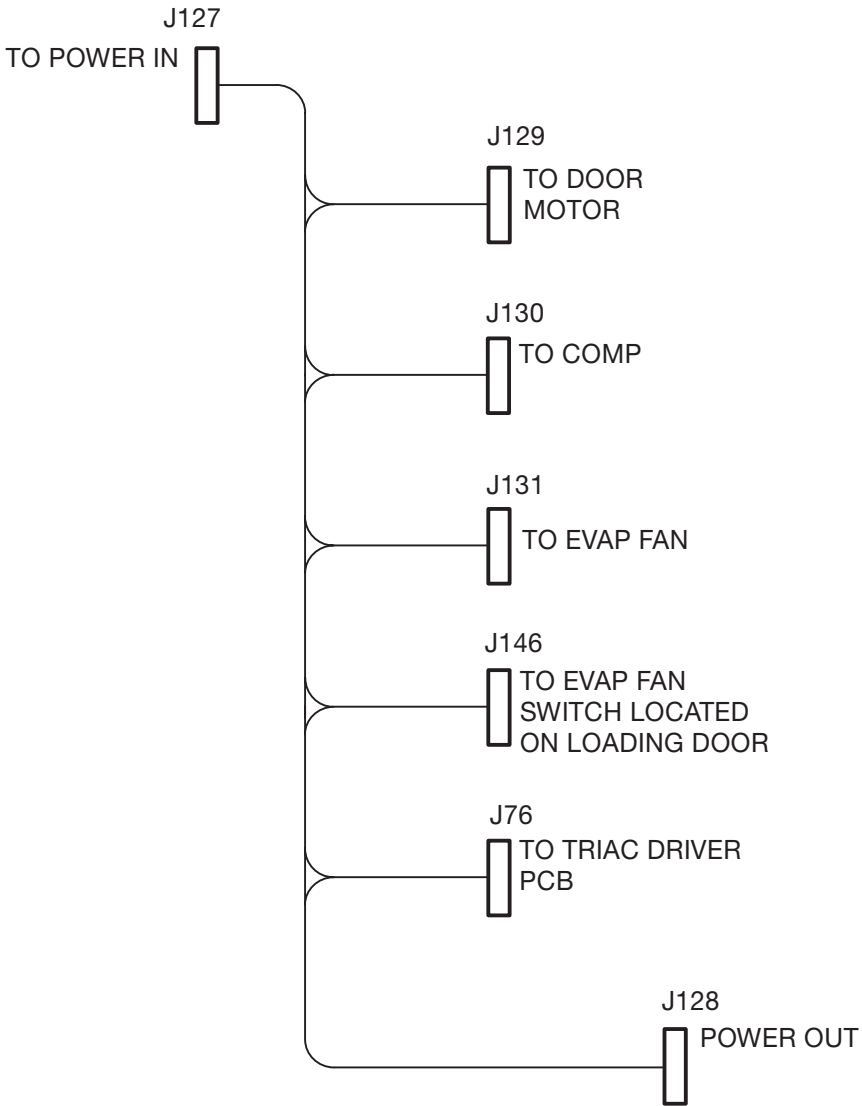


4849020
TEMPERATURE SENSOR & COMPRESSOR HARNESS



Figure 91. Wiring Harnesses (Part 12 of 26)

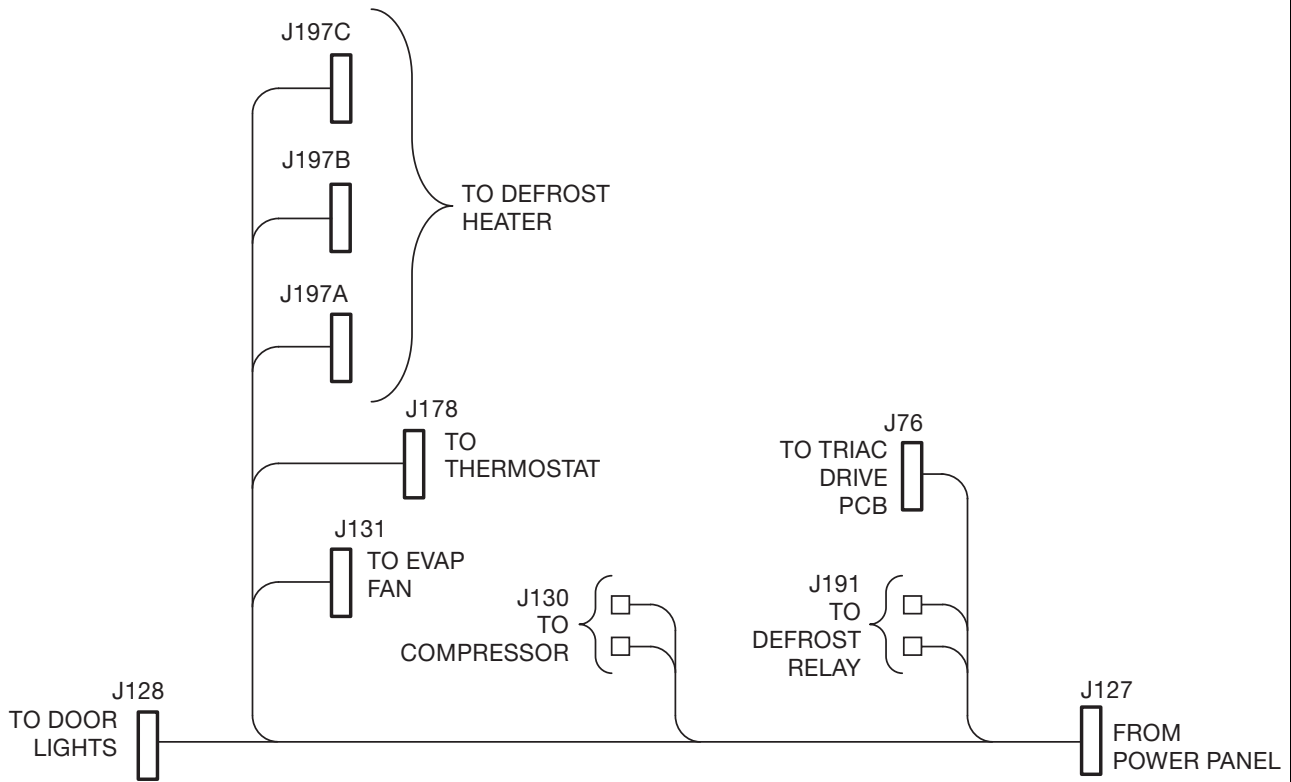
4849022
HARNESS - FOOD MOD. COMP.



4849022

Figure 91. Wiring Harnesses (Part 13 of 26)

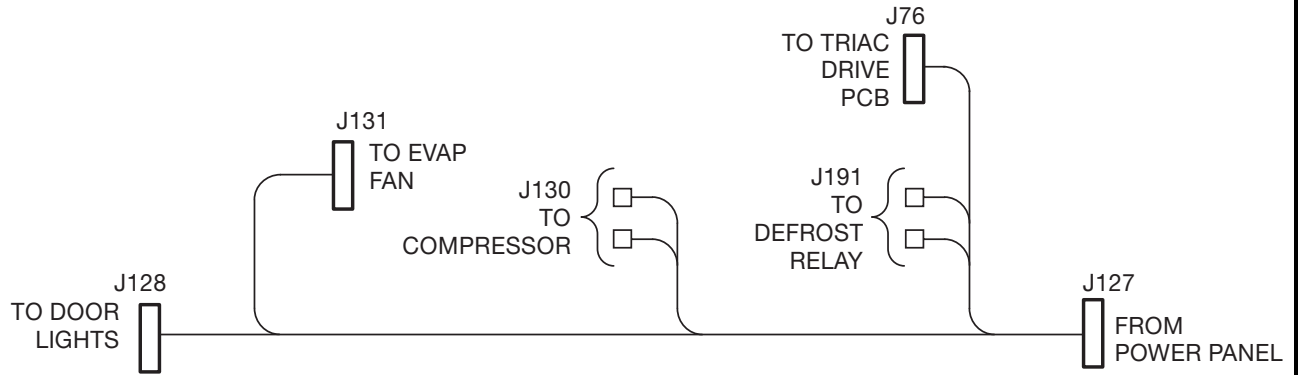
4849023
FROZEN FOOD MODULE COMPRESSOR HARNESS



4849023

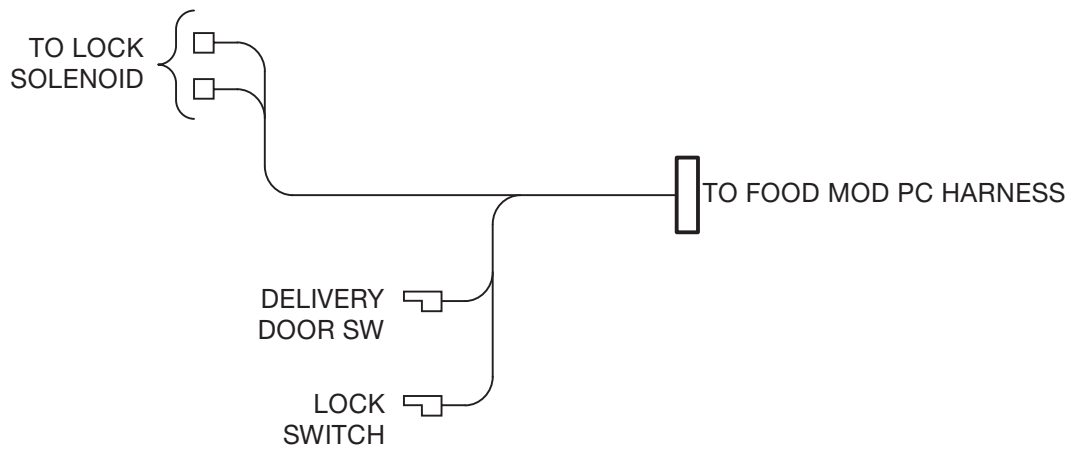
Figure 91. Wiring Harnesses (Part 14 of 26)

4849025
CAN/CHILLER COMPRESSOR HARNESS



4849025

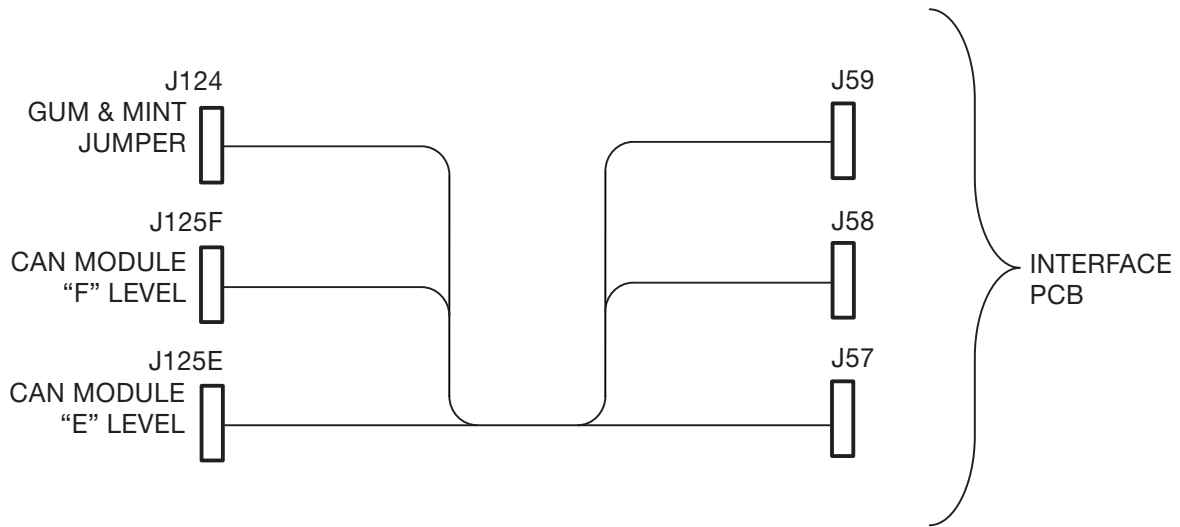
4849027
DELIVERY PAN LOCK SOLENOID HARNESS



4849027

Figure 91. Wiring Harnesses (Part 15 of 26)

4974023
JUMPER - CAN, GUM & MINT



4974023

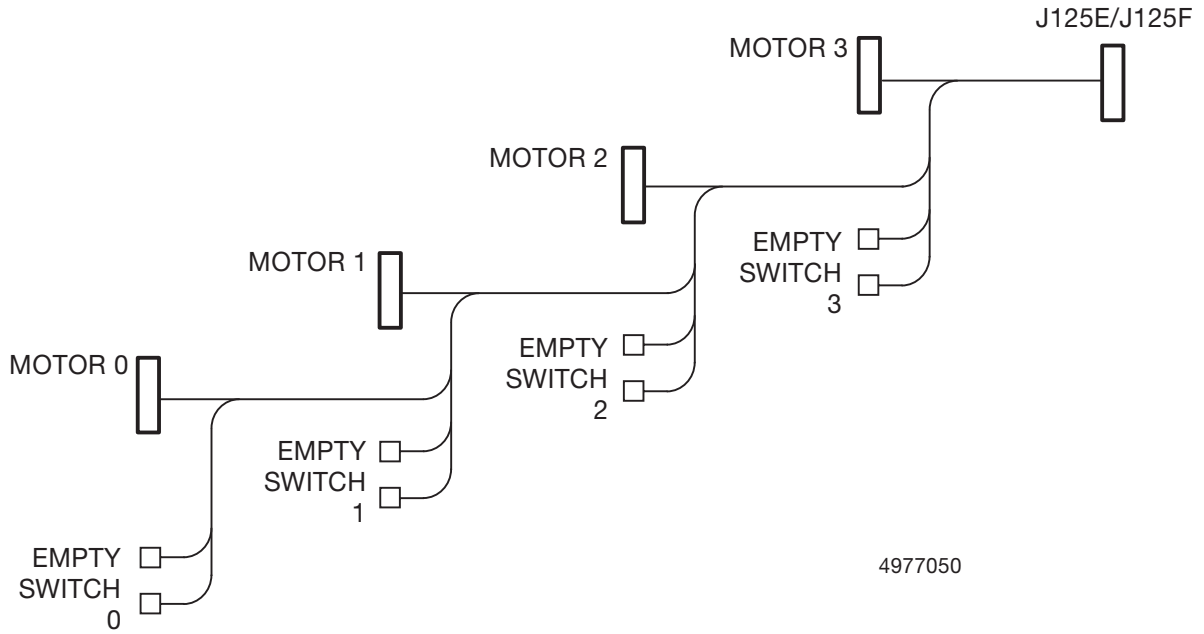
4974052
JUMPER - DRAIN - HTR.



4974052

Figure 91. Wiring Harnesses (Part 16 of 26)

4977050
E OR F LEVEL CAN EJECTOR HARNESS



4977057
HARNESS - CAN EJECTOR INTERFACE

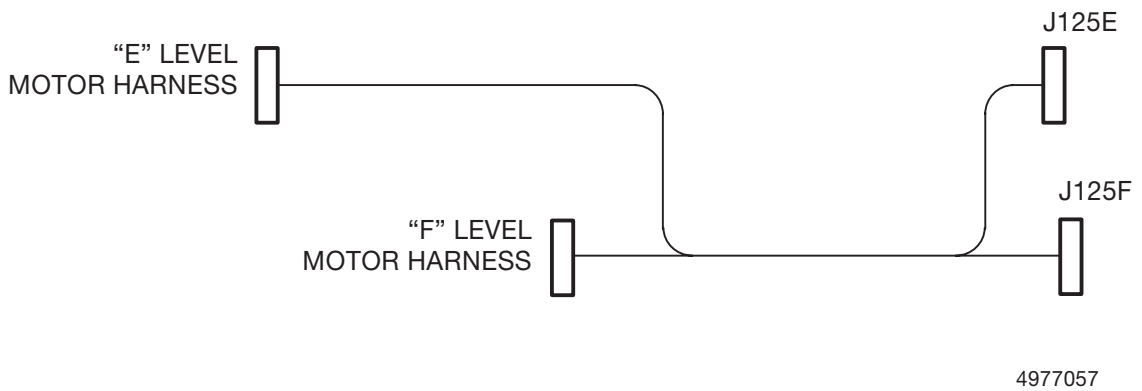


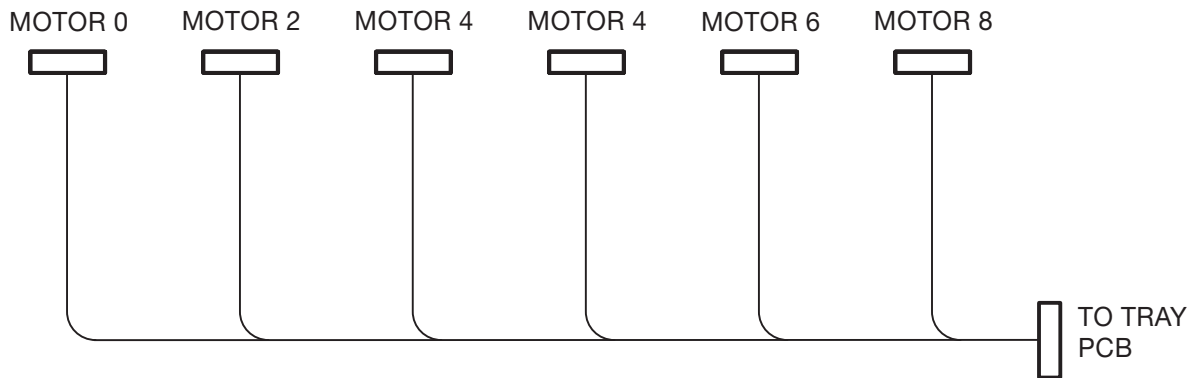
Figure 91. Wiring Harnesses (Part 17 of 26)

**4979000
FLAT CABLE ASSEMBLY**



4979000

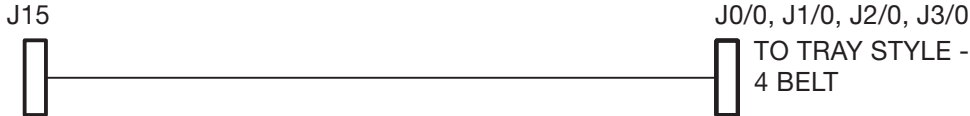
**4979001
HARNESS - 9 MOTOR TRAY
FOOD MOD**



4979001

Figure 91. Wiring Harnesses (Part 18 of 26)

4979003
HARNESS - TRAY - EXPANDED MOD 4 SEL.



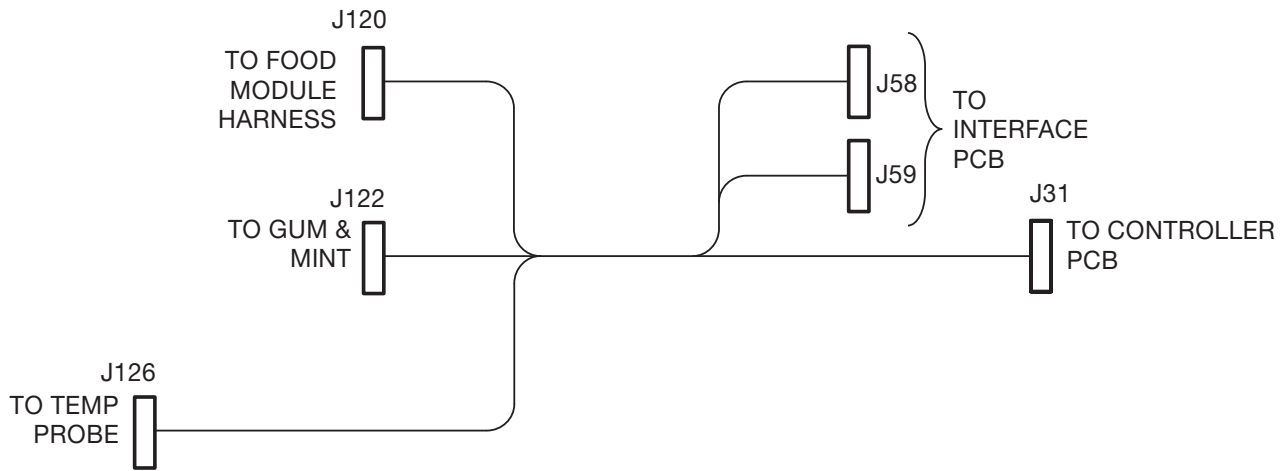
4979004
HARNESS - INTERFACE - EXP. MOD. TO PC



4979004

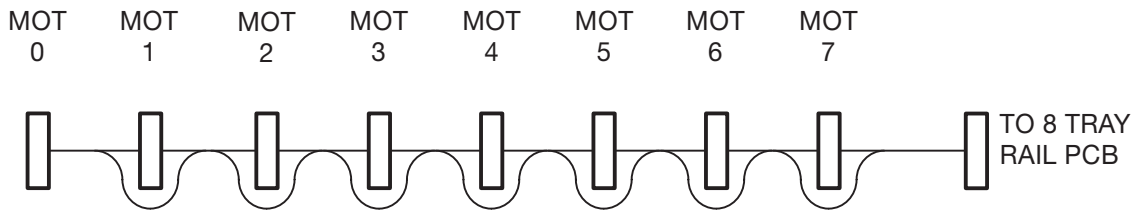
Figure 91. Wiring Harnesses (Part 19 of 26)

4979005
EXPANDED FOOD MODULE TO CONTROL HARNESS



4979005

4979006
8 MOTOR TRAY HARNESS



4979006

Figure 91. Wiring Harnesses (Part 20 of 26)

4979007
POWER PANEL AC HARNESS

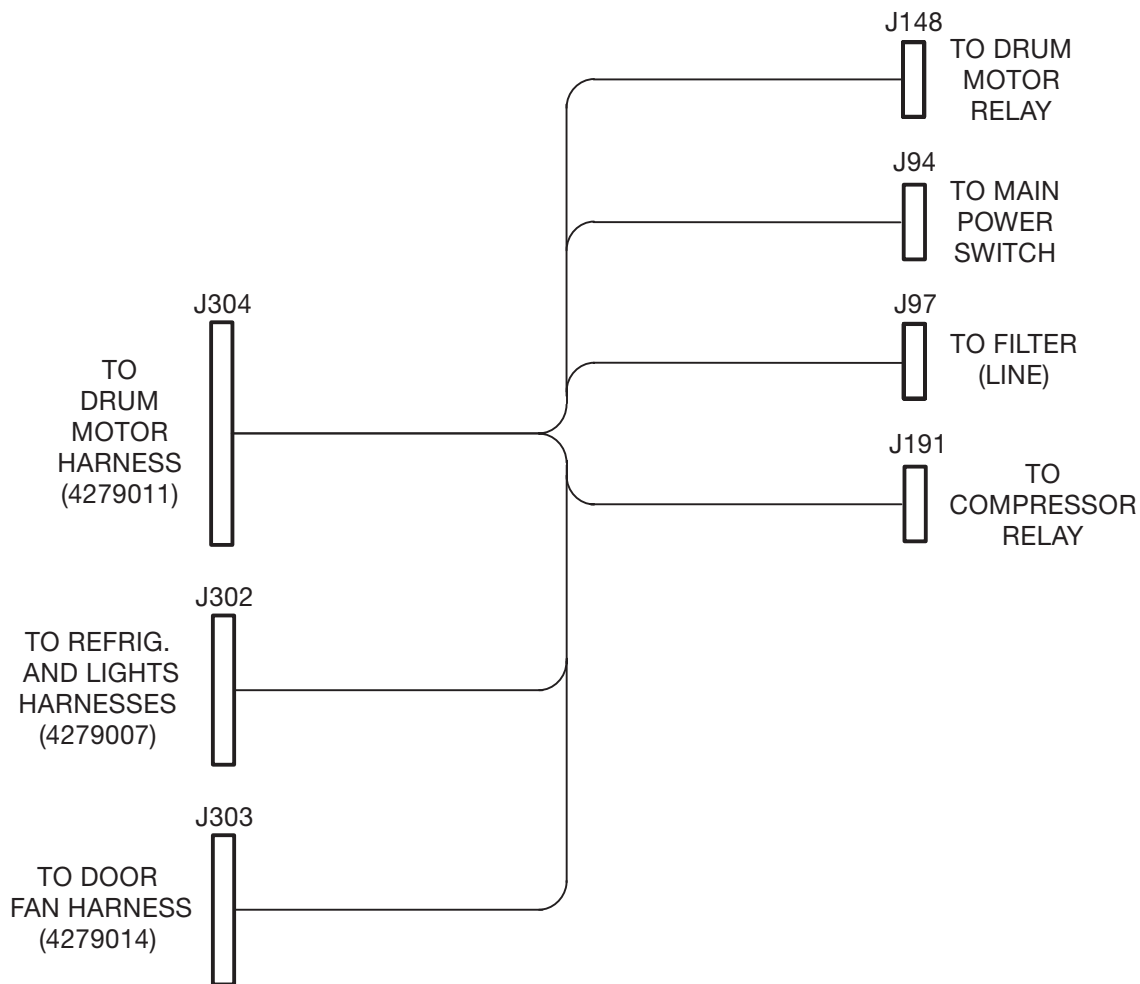
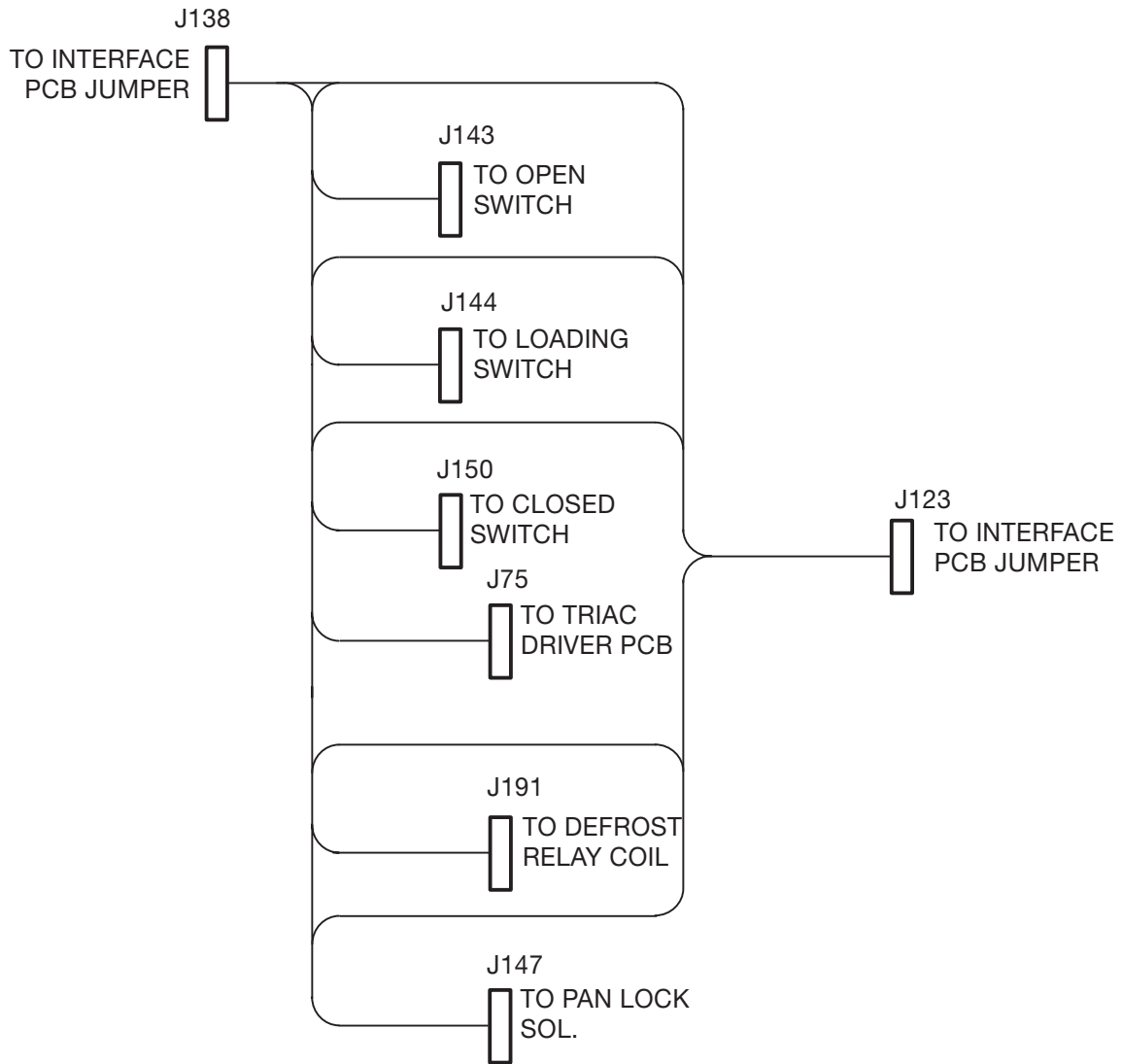


Figure 91. Wiring Harnesses (Part 21 of 26)

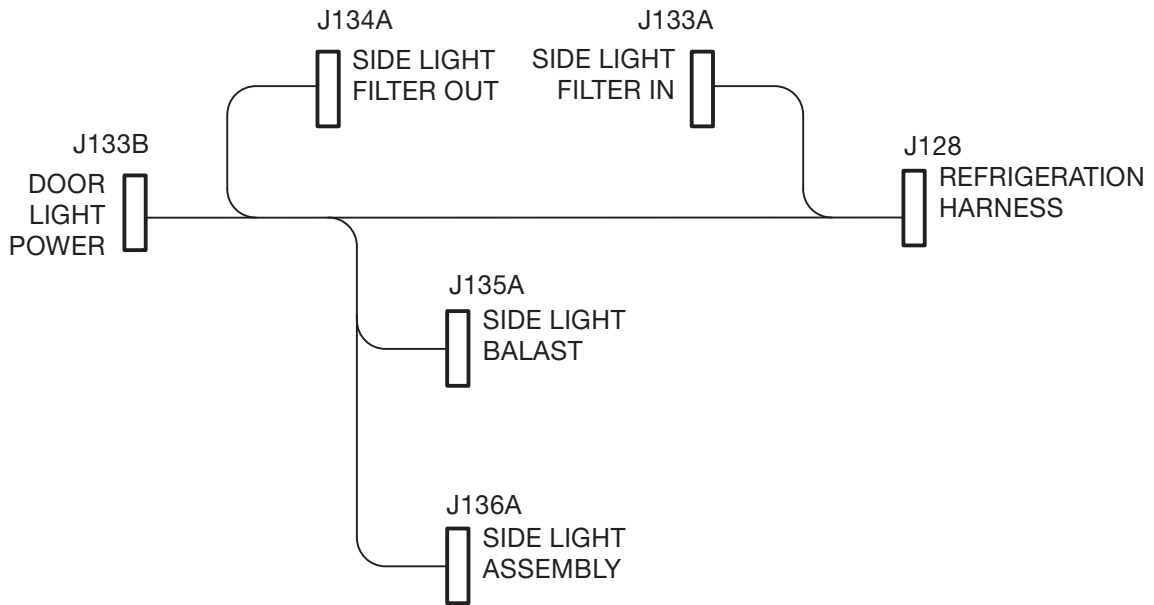
4979008
HARNES - FOOD/FRZN MOD. - DC



4979008

Figure 91. Wiring Harnesses (Part 22 of 26)

4979009
SIDE PANEL & DOOR FLUORESCENT LIGHT HARNESS



4979009

6339006
FLUORESCENT LIGHT HARNESS



6339006

6339017
DISPLAY TO CONTROLLER FLAT CABLE



6339017

Figure 91. Wiring Harnesses (Part 23 of 26)

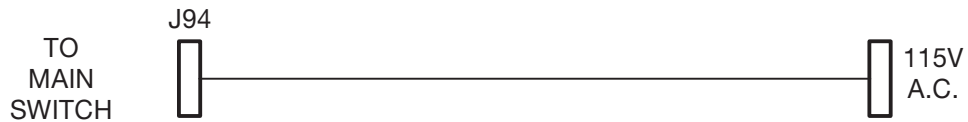
9984094
JUMPER-CABINET, SERVICE LIGHT



9984165
JUMPER - GROUNDWIRE



9985043
9985043
CORD SET POLARIZED-GROUNDED



9989117
JUMPER - EMI FILTER - 42 IN



9989117

Figure 91. Wiring Harnesses (Part 24 of 26)

**9989576
POWER CORD - W/BSI PLUG**



9989576

**9989560
POWER CORD - FOR. - AUSTRALIA/N. ZEALAND**



9989560

**9989577
EURO PLUG POWER CORD**



**9989706
MDB HARNESS**

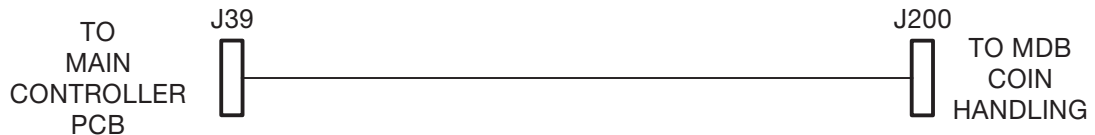


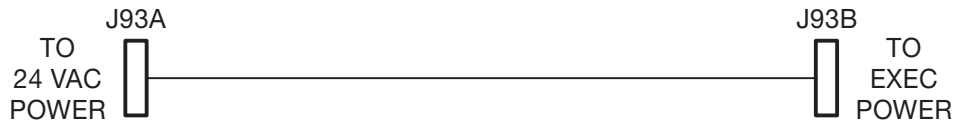
Figure 91. Wiring Harnesses (Part 25 of 26)

**9989712
EXECUTIVE COIN MECH JUMPER**



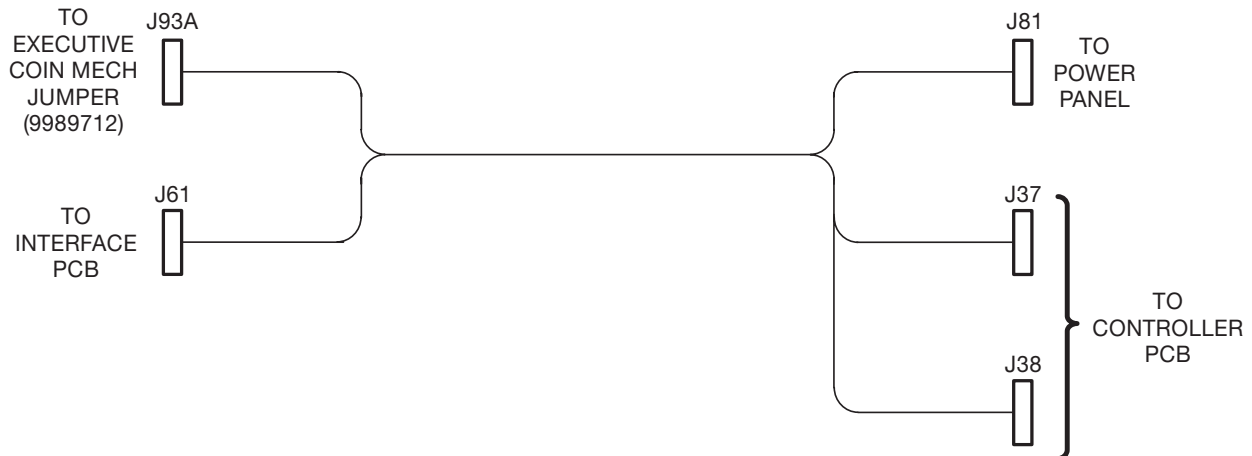
9989712

**9989718
24V VALIDATOR JUMPER**



9989718

**9989750
24VAC PCB & COIN POWER HARNESS**



9989750

Figure 91. Wiring Harnesses (Part 26 of 26)