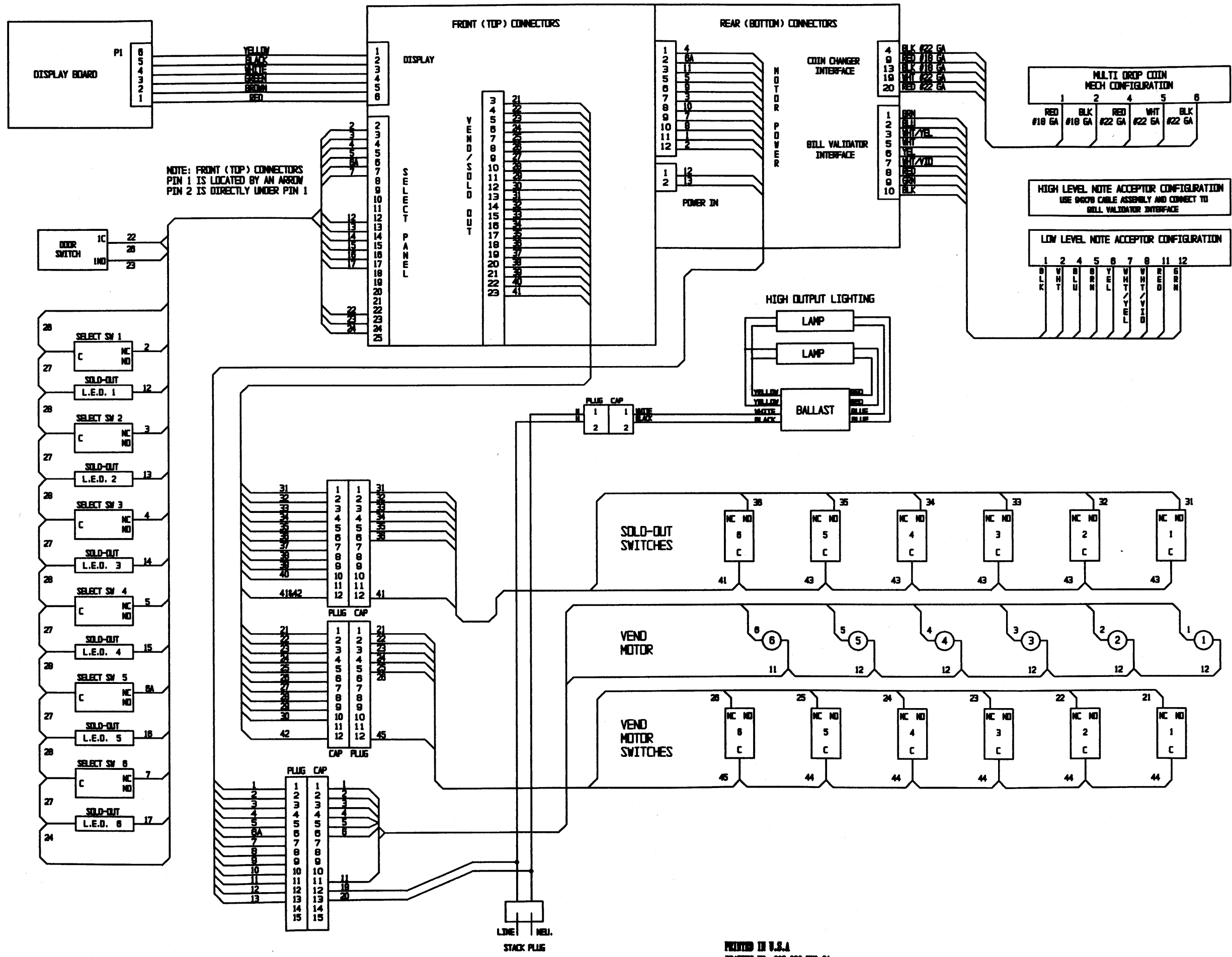


SII VEND SMART CONTROL BOX ASSEMBLY

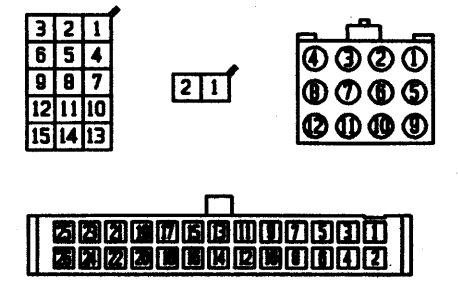


NOTE: FRONT (TOP) CONNECTORS
PIN 1 IS LOCATED BY AN ARROW
PIN 2 IS DIRECTLY UNDER PIN 1

PATENT NOTICE
THIS DEVICE IS MANUFACTURED UNDER ONE OR MORE OF THE FOLLOWING U.S. PATENTS:

3,115,274	3,483,385	4,036,400
3,144,985	3,484,588	4,036,621
3,187,941	3,680,937	4,044,877
3,270,817	4,018,850	4,288,138
3,367,536	4,508,638	4,705,176
	3,702,184	4,284,000

NOTE: THE FOLLOWING ARE EXAMPLES OF WIRE LOCATIONS FROM THE WIRE INSULATION SIDE:



Dixie-Narco
SERIES II - COKE
(6 SELECT) 360/432

PRINTED IN U.S.A.
DRAWING NO. 883,838,770-21