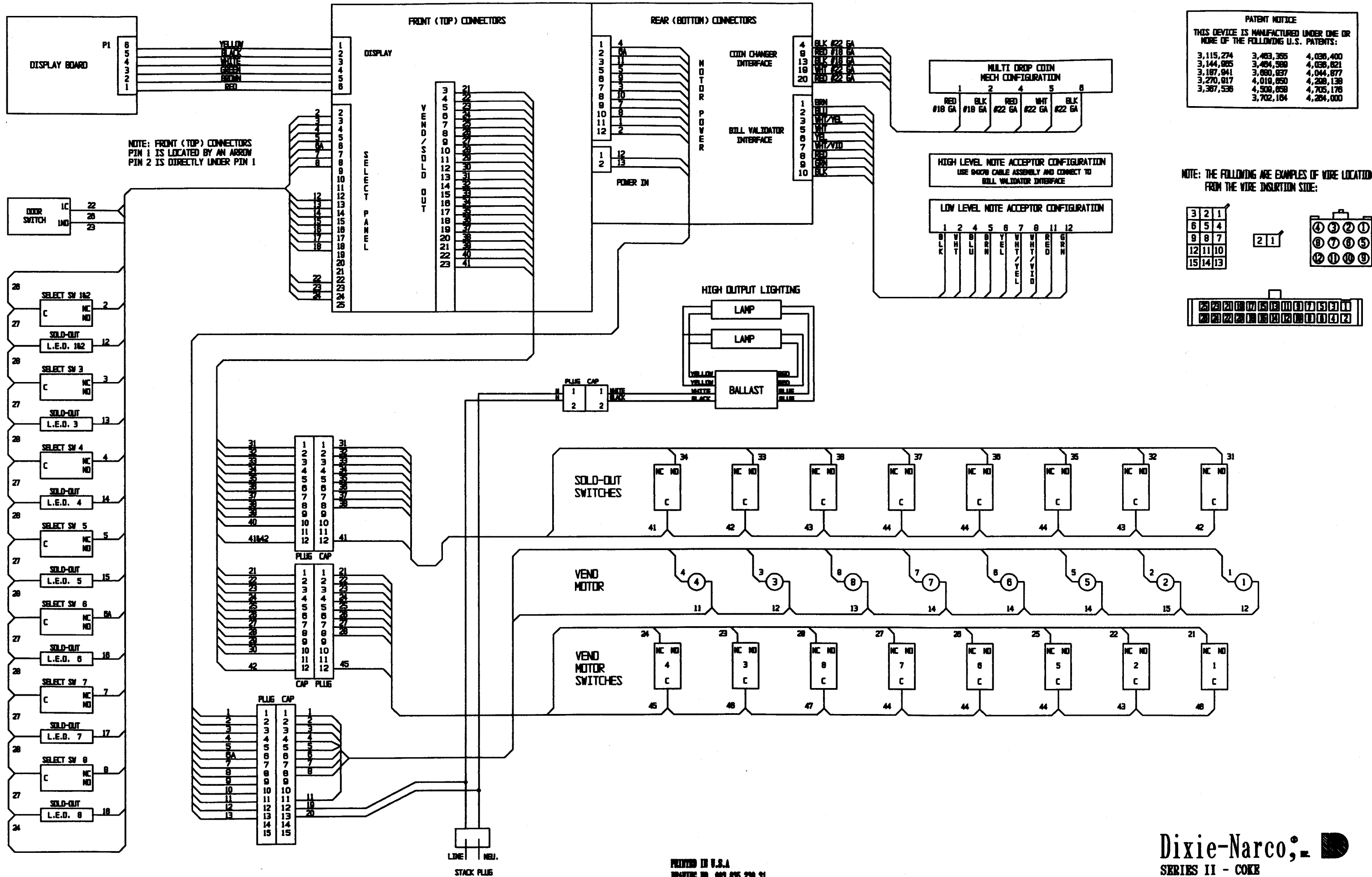
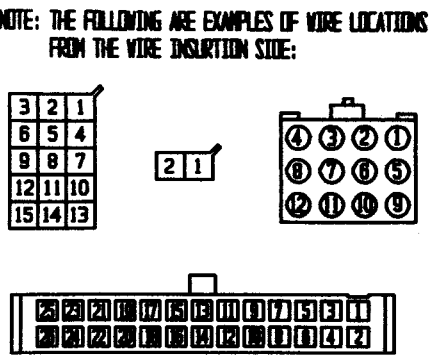


SII VEND SMART CONTROL BOX ASSEMBLY



PATENT NOTICE
THIS DEVICE IS MANUFACTURED UNDER ONE OR MORE OF THE FOLLOWING U.S. PATENTS:

3,115,274	3,463,355	4,036,400
3,144,865	3,484,580	4,036,621
3,187,941	3,680,837	4,044,877
3,270,917	4,010,650	4,208,138
3,367,536	4,500,650	4,705,178
	3,702,184	4,284,000



PRINTED IN U.S.A.
DRAWING NO. 903,635,230.31

Dixie-Narco, Inc.
SERIES II - COKE
(7 SELECT) 368/440