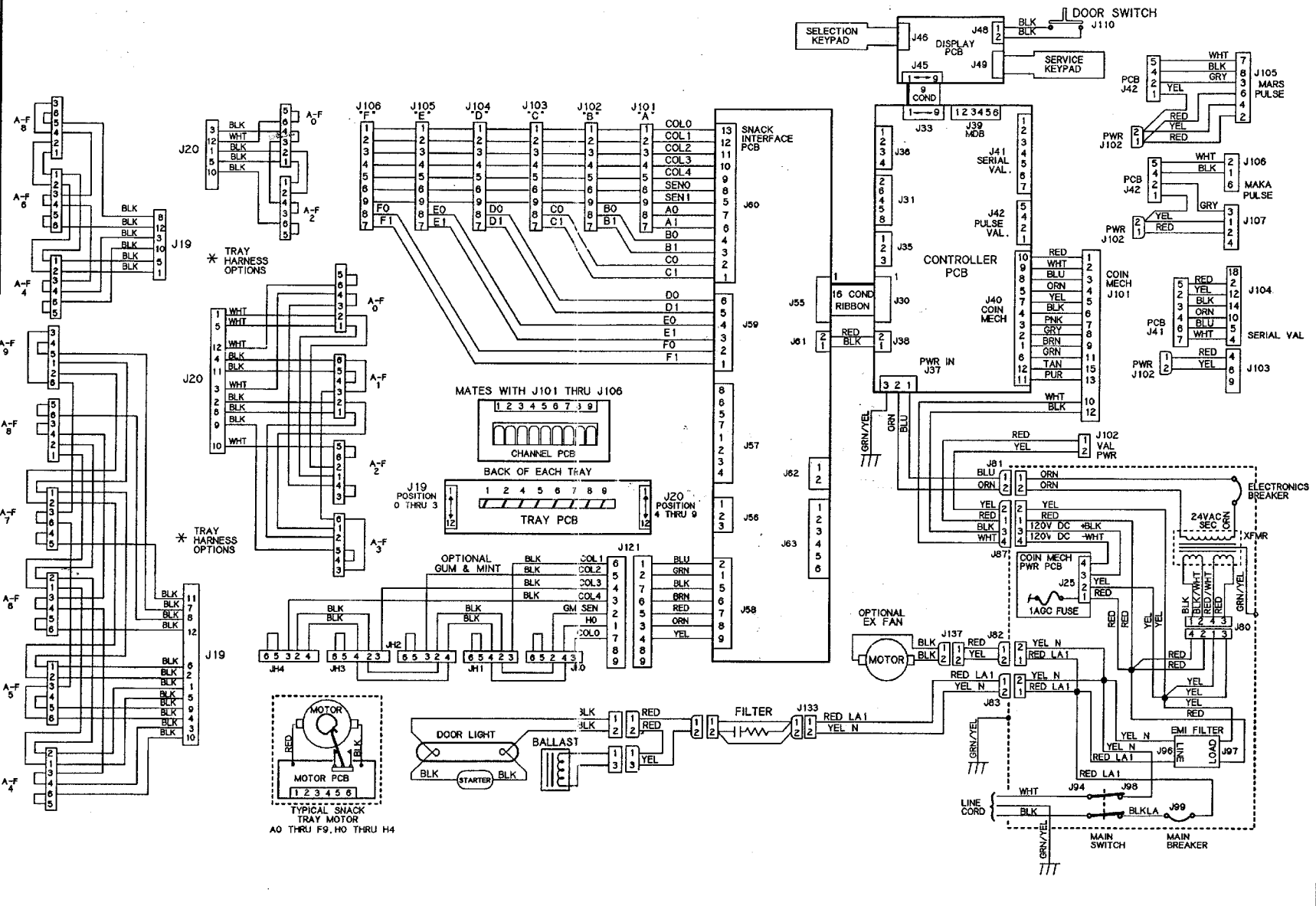


PART NO. WD157000	PART NAME W.D. - SNACK - 115V - DOM	FINISH	DATE 11-10-95		APPROVED BY <i>[Signature]</i>
			ECO NO.	DATE 11-10-95	
MATERIAL	DRAWN BY J.S.	CHECKED BY <i>[Signature]</i>	REVISION		
			DESCRIPTION ECO M-5368	ECO NO.	DATE
SCALE NONE	TOLERANCES UNLESS OTHERWISE SPECIFIED: DIMENSIONS IN INCHES ANGLES 1/16" EXCEPT AS NOTED CORNERS 1/16" R HOLE POSITION ±.010 CAD DRAWINGS DO NOT REVISE MANUALLY	SCALE NONE	REVISION		
			DESCRIPTION ECO M-5368	ECO NO.	DATE
CRANE NATIONAL VENDORS ST. LOUIS, MO 63044-1200	FILE NAME: WD157000.DRW	MATERIAL	REVISION		
			DESCRIPTION ECO M-5368	ECO NO.	DATE



4

3

2

1

4

3

2

1

D

C

B