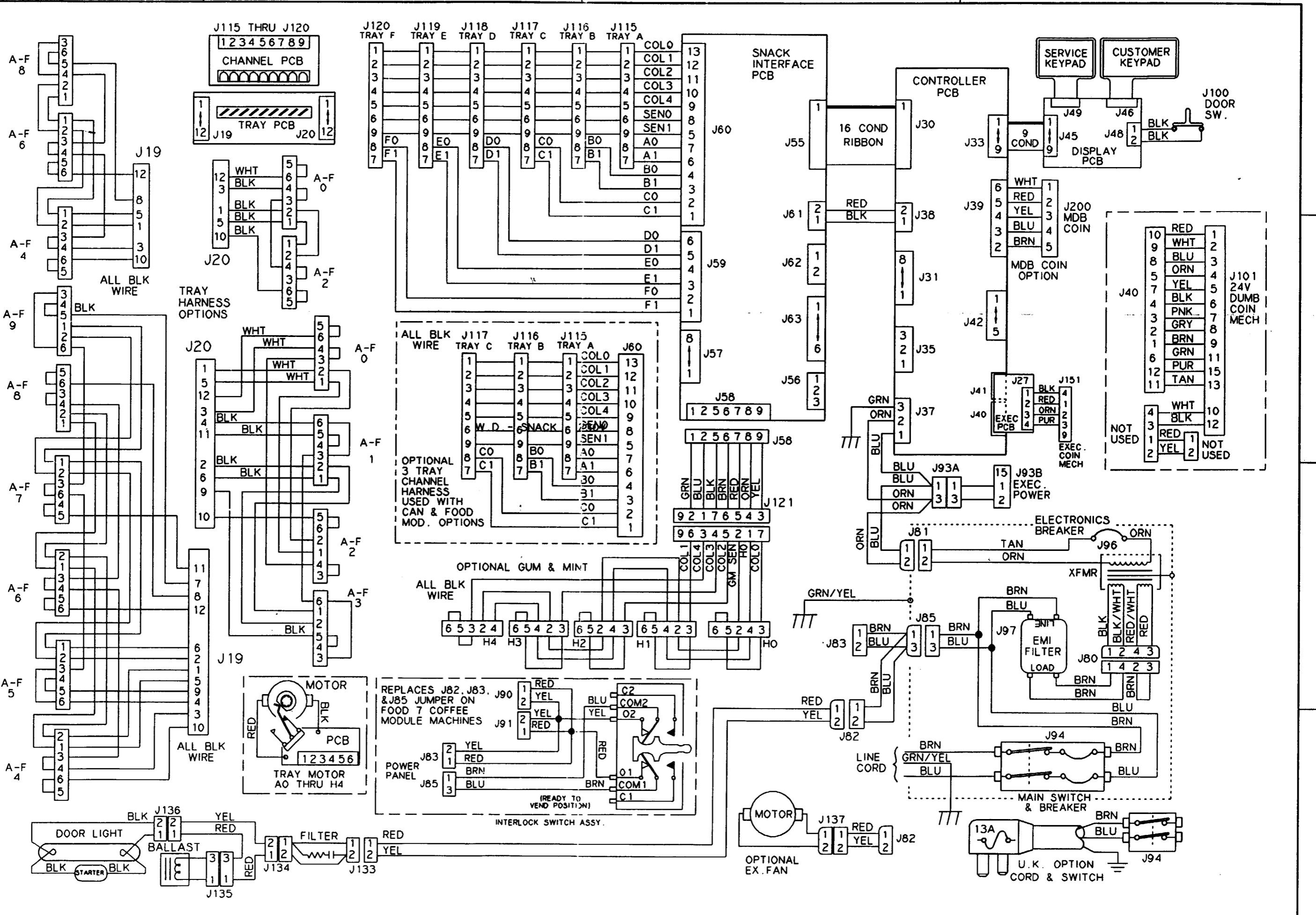




PART NO. **WD157012** PART NAME **W.D. - SNACK - 230V** REVISION DESCRIPTION **ECO M-5865** DATE **7-9-97** APPROVED **M.A.**  
 DRAWN BY: J.S. APPROVED BY: DATE: 06-18-97  
 CHECKED BY: DATE: 06-18-97  
 SCALE: NONE FILE: WD157012.DRW  
 TOLERANCE +/- 0.25 INCHES UNLESS NOTED  
 CAD DRAWING - DO NOT REVISE MANUALLY

**CRANE NATIONAL VENDORS**  
 ST. LOUIS, MO 63044-1200





PART NO: **WD157018** PART TITLE: **W.D.- SNACK - 100V 50/60HZ**

ST. LOUIS, MO 63044-1200

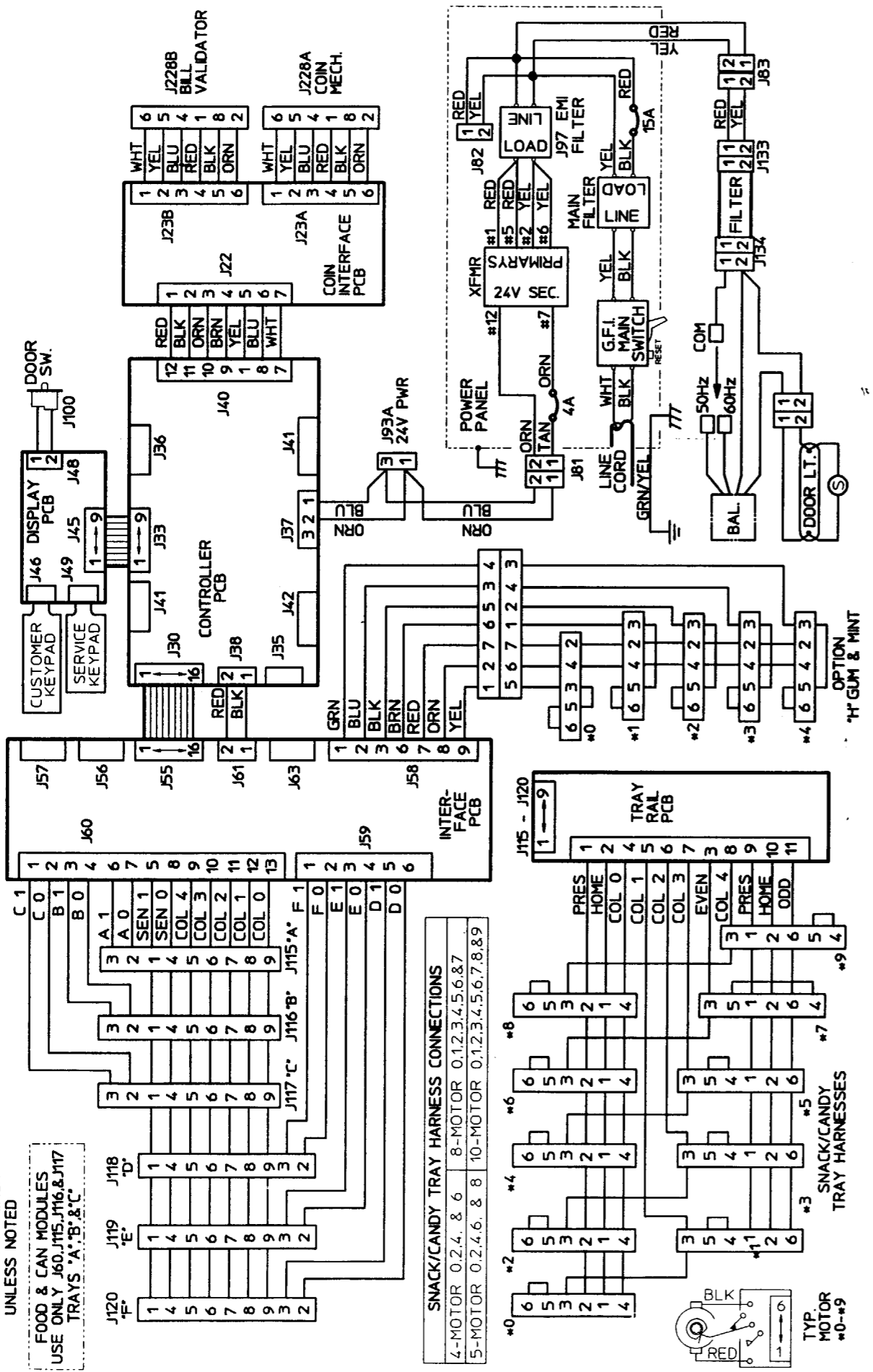
DO NOT REVISE MANUALLY - CAD DRAWING FILE NAME: **WD157018.DWG**

SCALE: **1/8" = 1"** DATE: **10-8-87** DRAWN BY: **J.S.** CHECKED BY: **J.S.** APPROVED BY: **J.S.**

TOLERANCE UNLESS NOTED: 2 PLACE DECIMALS  
 DIMENSIONS IN INCHES  
 UNLESS NOTED: 3 PLACE DECIMALS  
 CONCENTRICITY TR. 0.005

\* WIRE COLOR IS BLACK UNLESS NOTED

FOOD & CAN MODULES USE ONLY J60, J115, J116, & J117 TRAYS 'A', 'B', & 'C'.



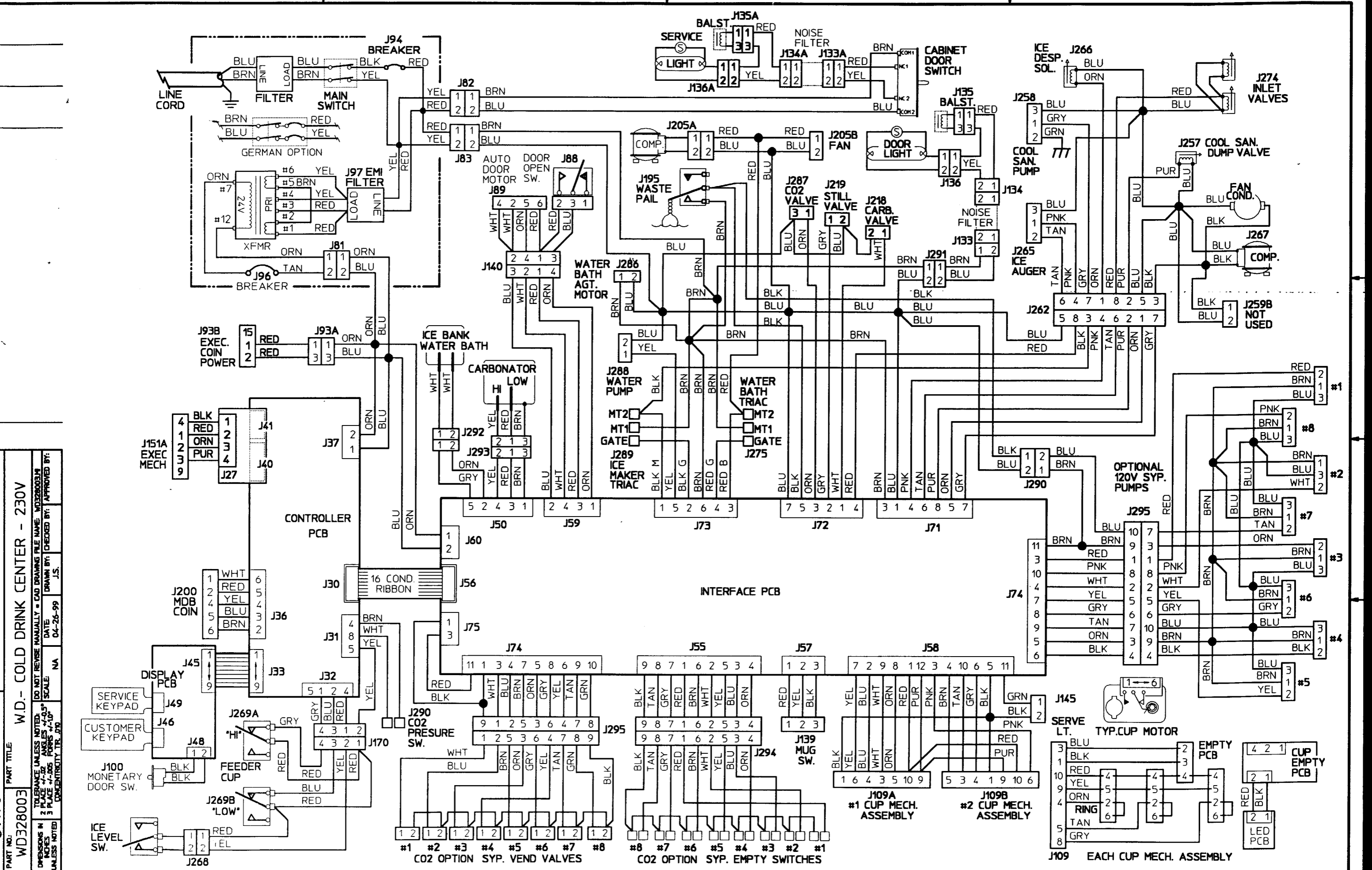








ORIGINAL PART TITLE: W.D. - COLD DRINK CENTER - 230V  
 ST. LOUIS, MO 63044-1200  
 DATE: 04-26-99  
 DRAWN BY: J.S.  
 CHECKED BY: J.S.  
 APPROVED BY: J.S.  
 TOLERANCE UNLESS NOTED: ANGLES 45° UNLESS NOTED  
 DIMENSIONS IN 2 PLACE DECIMALS UNLESS NOTED  
 DIMENSIONS IN 3 PLACE DECIMALS UNLESS NOTED  
 CONCENTRICITY TR. .010



PART NO: W0328003  
 PART TITLE: W.D. - COLD DRINK CENTER - 230V  
 ST. LOUIS, MO 63044-1200  
 DATE: 04-26-99  
 DRAWN BY: J.S.  
 CHECKED BY: J.S.  
 APPROVED BY: J.S.  
 TOLERANCE UNLESS NOTED: ANGLES 45° UNLESS NOTED  
 DIMENSIONS IN 2 PLACE DECIMALS UNLESS NOTED  
 DIMENSIONS IN 3 PLACE DECIMALS UNLESS NOTED  
 CONCENTRICITY TR. .010



ORIGINAL

WD363013 W.D.- TWIN DRINK CENTER - 115V

CRANE NATIONAL VENDORS' ST. LOUIS, MO 63044-1200

CAD FILE: WD363013.M

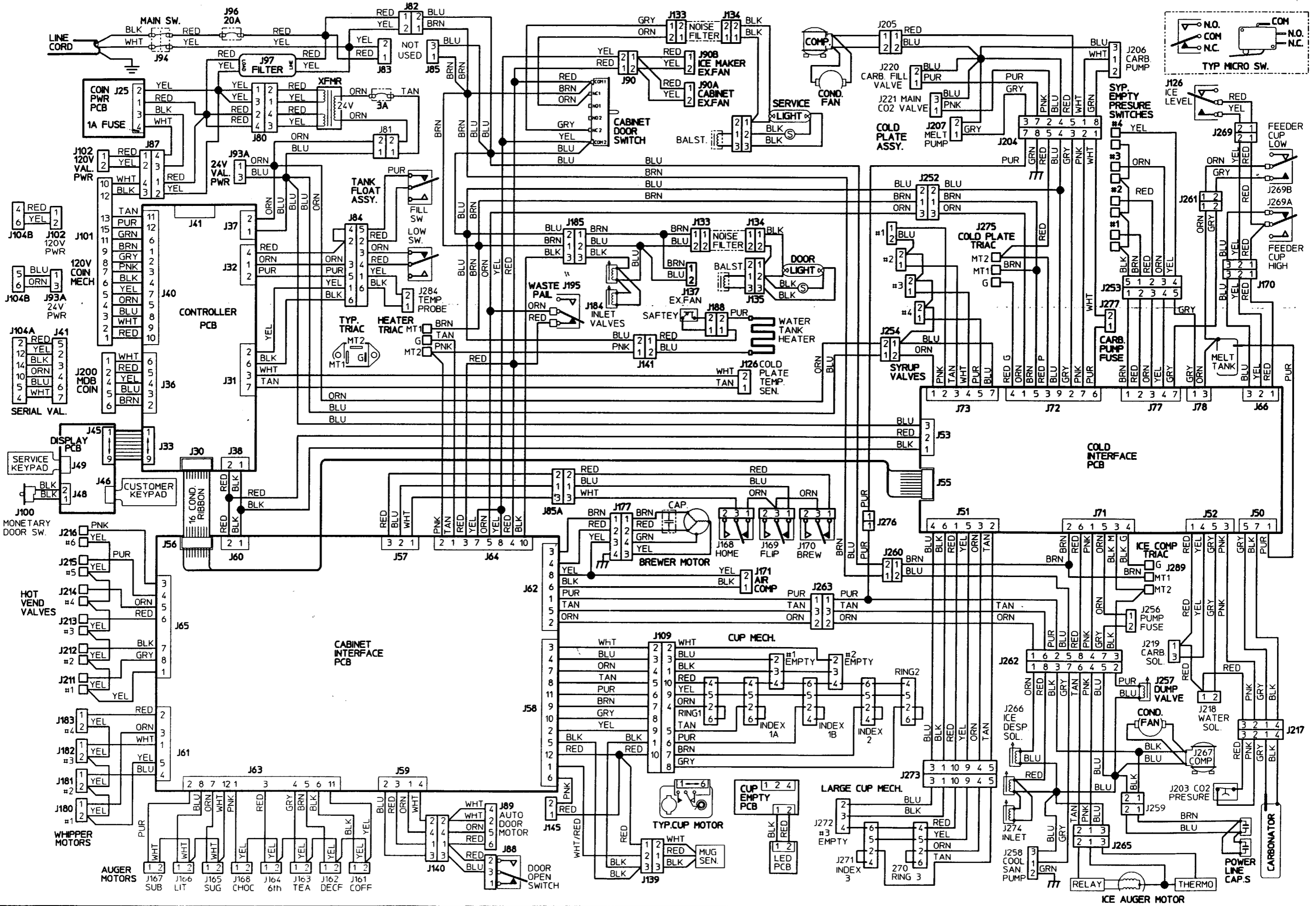
LTR A

ECO NO. 343-174

REVISION & DESCRIPTION

DATE 2-8-99

DRW BY: APP. BY: J.S.



ORIGINAL

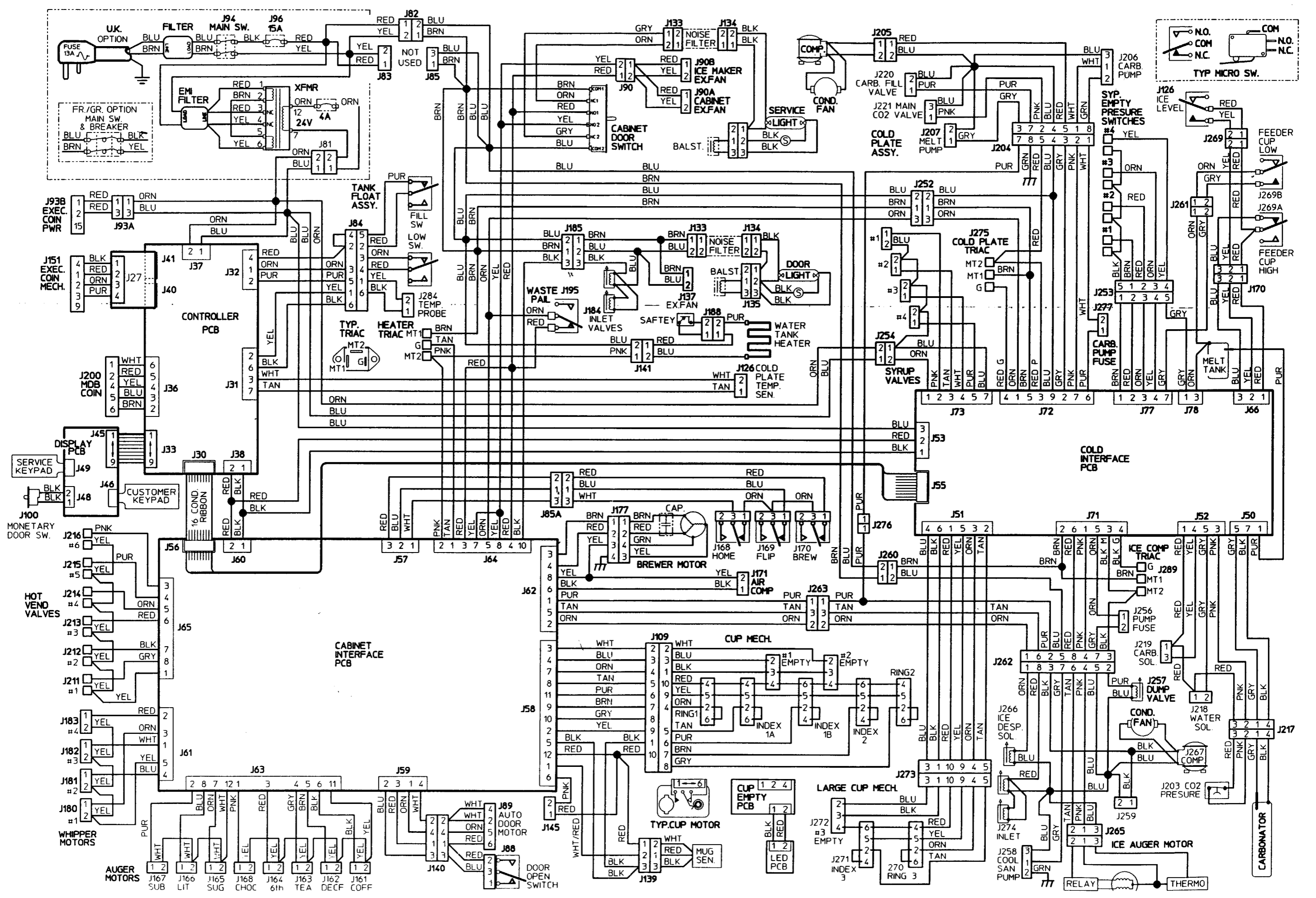
WD363014 W.D.- TWIN DRINK CENTER - 230V

CRANE NATIONAL VENDORS  
ST. LOUIS, MO 63044-1200

ECO NO. 1  
DATE 2-6-97  
DRAW BY: J.S.  
APP. BY:

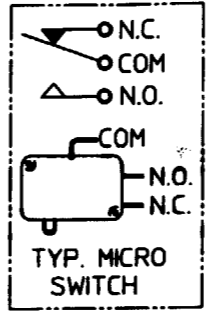
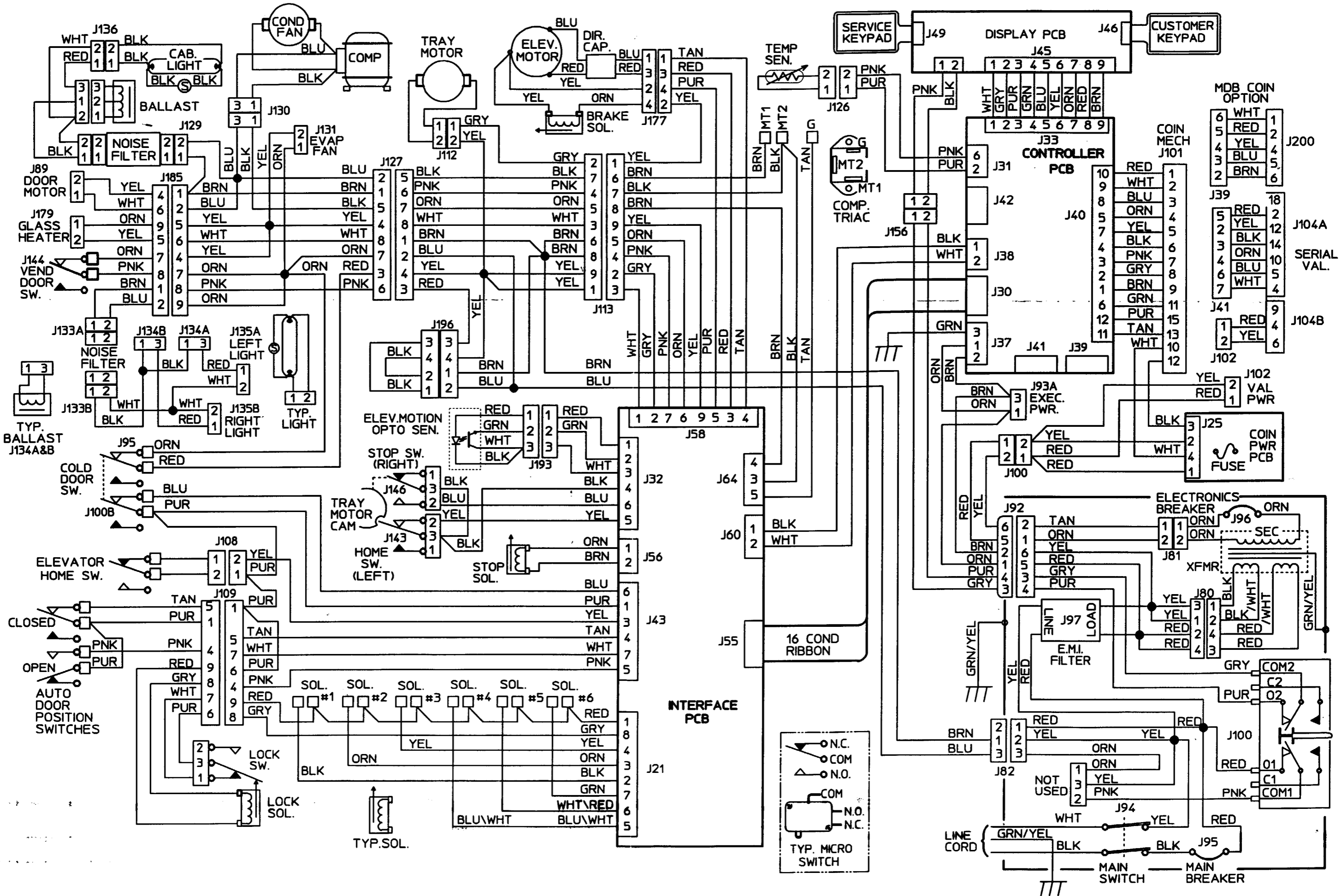
REVISION & DESCRIPTION  
ECO # 363-176

CAD FILE: WD363014.M





**ORIGINAL CRANE NATIONAL VENDORS**  
 DATE: 02-18-98 FILE: WD428002M DATE: 02-26-98 APP: M.S.  
 DRAWN BY: J.S. DIMENSIONS IN INCHES 4/28/94 10-23-98  
 ST. LOUIS, MO 63044-1200 APP: 428-44 10-23-98  
 LTR A ECOM-6084 B ADDED CONNECTOR AT COMP. & EVAP. FAN  
 WD428002 W.D.- 428 FOOD CENTER - 115V

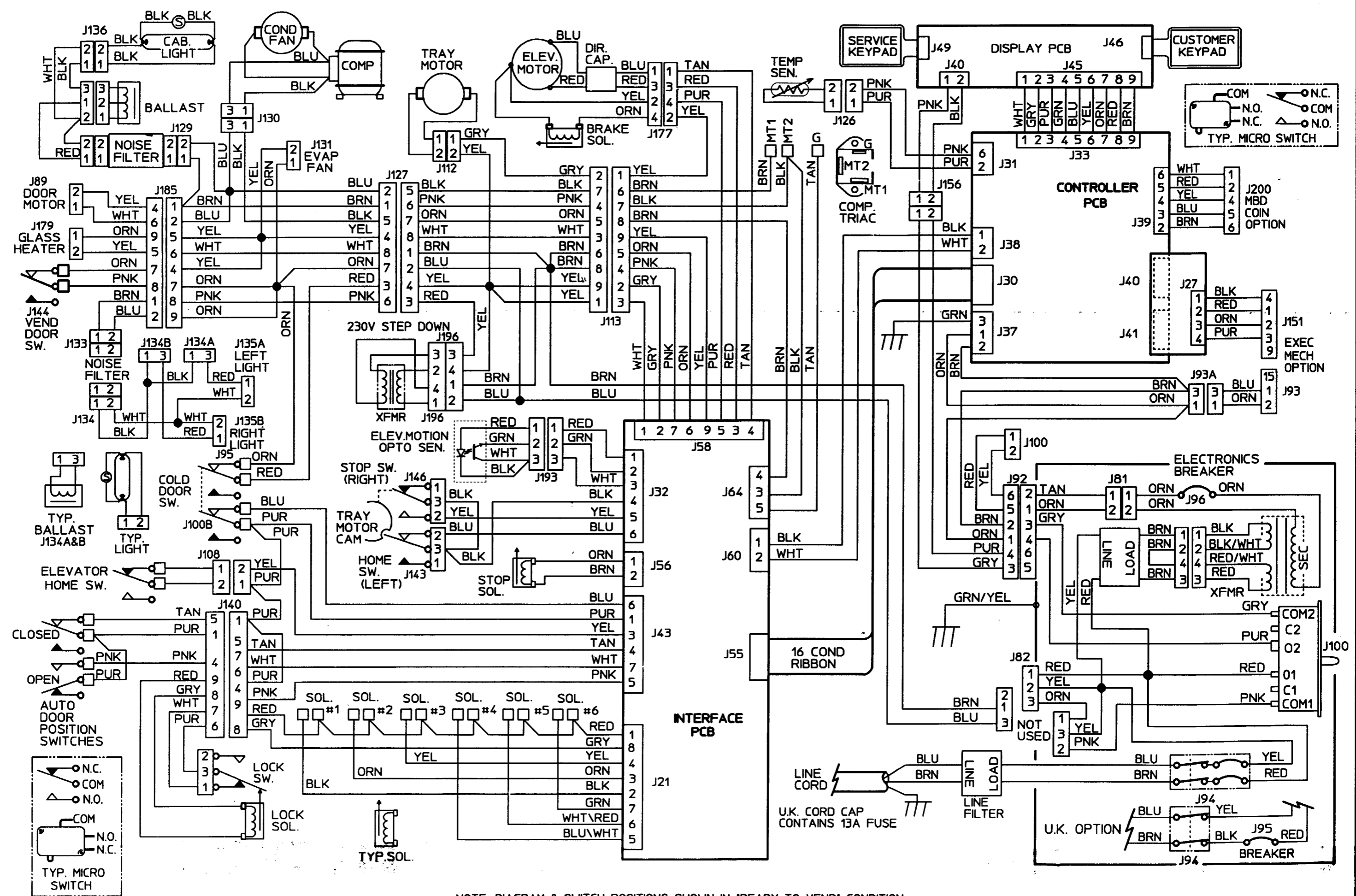


ORIGINAL

CRANE NATIONAL VENDORS  
ST. LOUIS, MO 63044-1200

WD428003 W.D.- 428 FOOD CENTER - 230V

DATE: 02-18-98	FILE: WD428003M	LTR	REVISION DESCRIPTION	ECO	DATE	APP.
DRW BY: J.S.	DIMENSIONS IN INCHES 1/32 UNLESS NOTED	A	ADDED CONNECTOR AT COMP. & EVAP. FAN	1	02-26-98	M.S.
APP:		B			10-23-98	P.R.



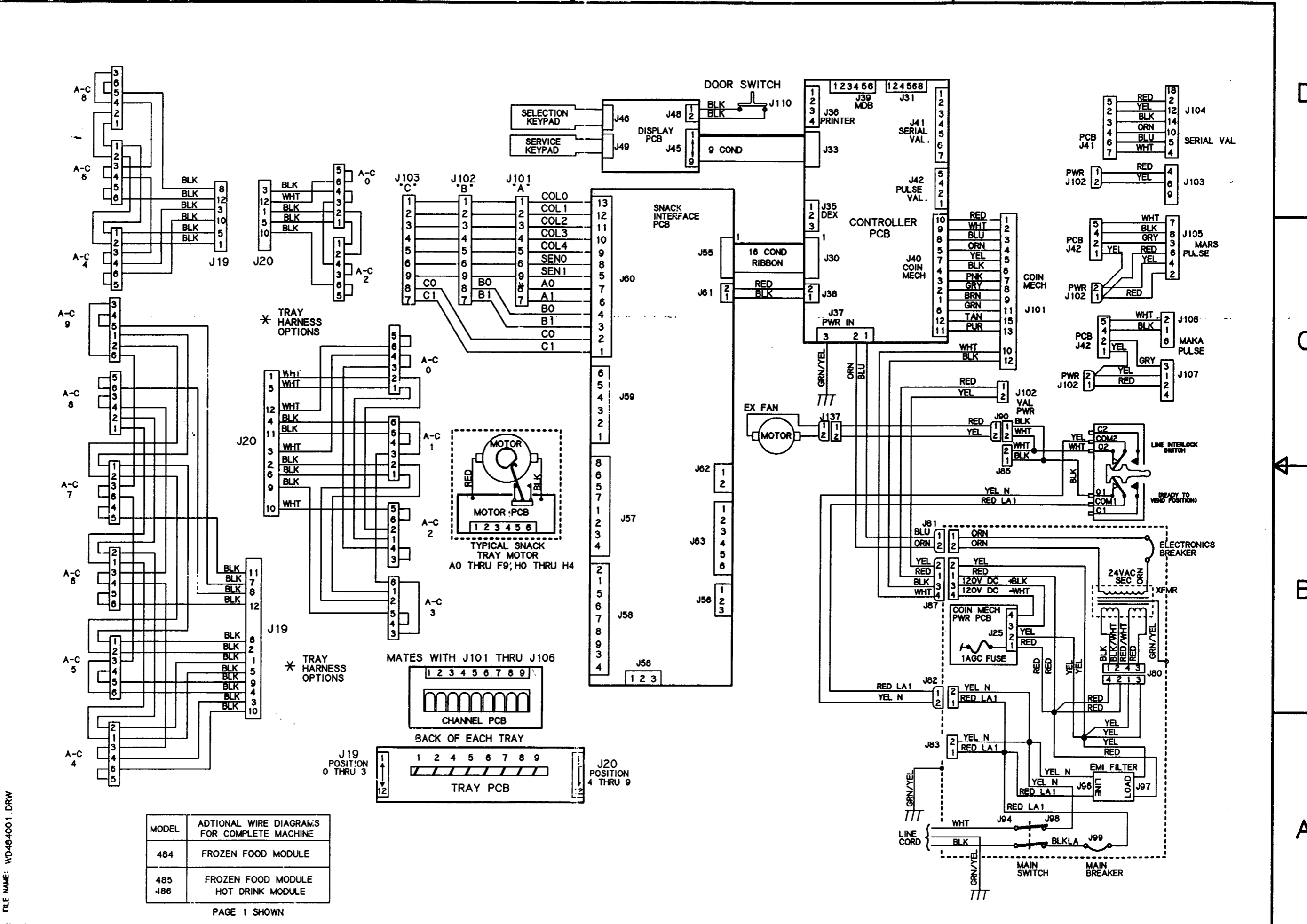
NOTE: DIAGRAM & SWITCH POSITIONS SHOWN IN 'READY TO VEND' CONDITION





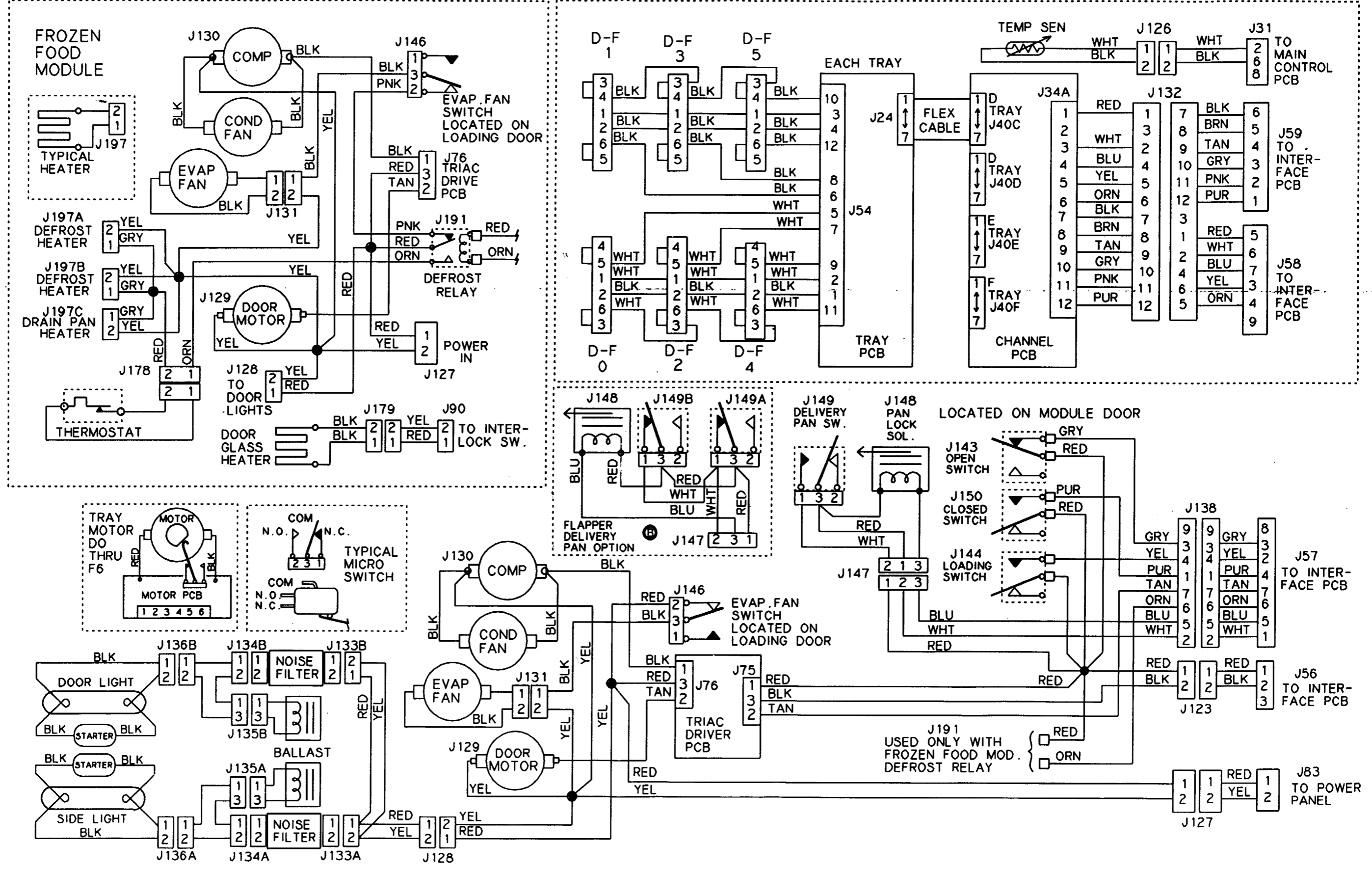
ORIGINAL

PART NO. WD484001	PART NAME W.D. - SNACK/FZ. FOOD/HOT-115V	DATE 11-13-95	REVISION	ECO NO.	DATE	APPROVED BY
		FINISH	DESCRIPTION PROJ. 9133 TOOL REL. 1175			
DRAWN BY J.S.		CHECKED BY <i>[Signature]</i>	LTR A			
SCALE NONE		TOLERANCES 2 PLACE DECIMAL ±.02 3 PLACE DECIMAL ±.005 UNLESS OTHERWISE SPECIFIED OTHERWISE ANGLES ± 1/2° EXCEPT DIMENSIONS ARE IN INCHES CONCENTRICITY TR. .010 -CAD DRAWING DO NOT REVISE MANUALLY-				
MATERIAL		UNLESS OTHERWISE SPECIFIED DIMENSIONS ARE IN INCHES CONCENTRICITY TR. .010 -CAD DRAWING DO NOT REVISE MANUALLY-				
CRANE NATIONAL VENDORS® ST. LOUIS, MO 63044-1200		FILE NAME: WD484001.DRW				



MODEL	ADDITIONAL WIRE DIAGRAMS FOR COMPLETE MACHINE
484	FROZEN FOOD MODULE
485	FROZEN FOOD MODULE
486	HOT DRINK MODULE

PART NO. **WD484012**  
 PART NAME **W.D. - COLD/FROZEN MODULE**  
 DRAWN BY: **J.S.** CHECKED BY: **M.S.** DATE: **12-02-96**  
 CAD DRAWING FILE: **WD484012.DRW**  
 UNLESS OTHERWISE SPECIFIED DIMENSIONS ARE IN INCHES  
 ECO NO. **1** DATE **2-14-97** APPROVED **R.T.**  
 LTR **A** REVISION DESCRIPTION  
**CRANE NATIONAL VENDORS**  
 ST. LOUIS, MO 63044-1200  
 DO NOT REVISE MANUALLY



4 3 2 1 A B C D

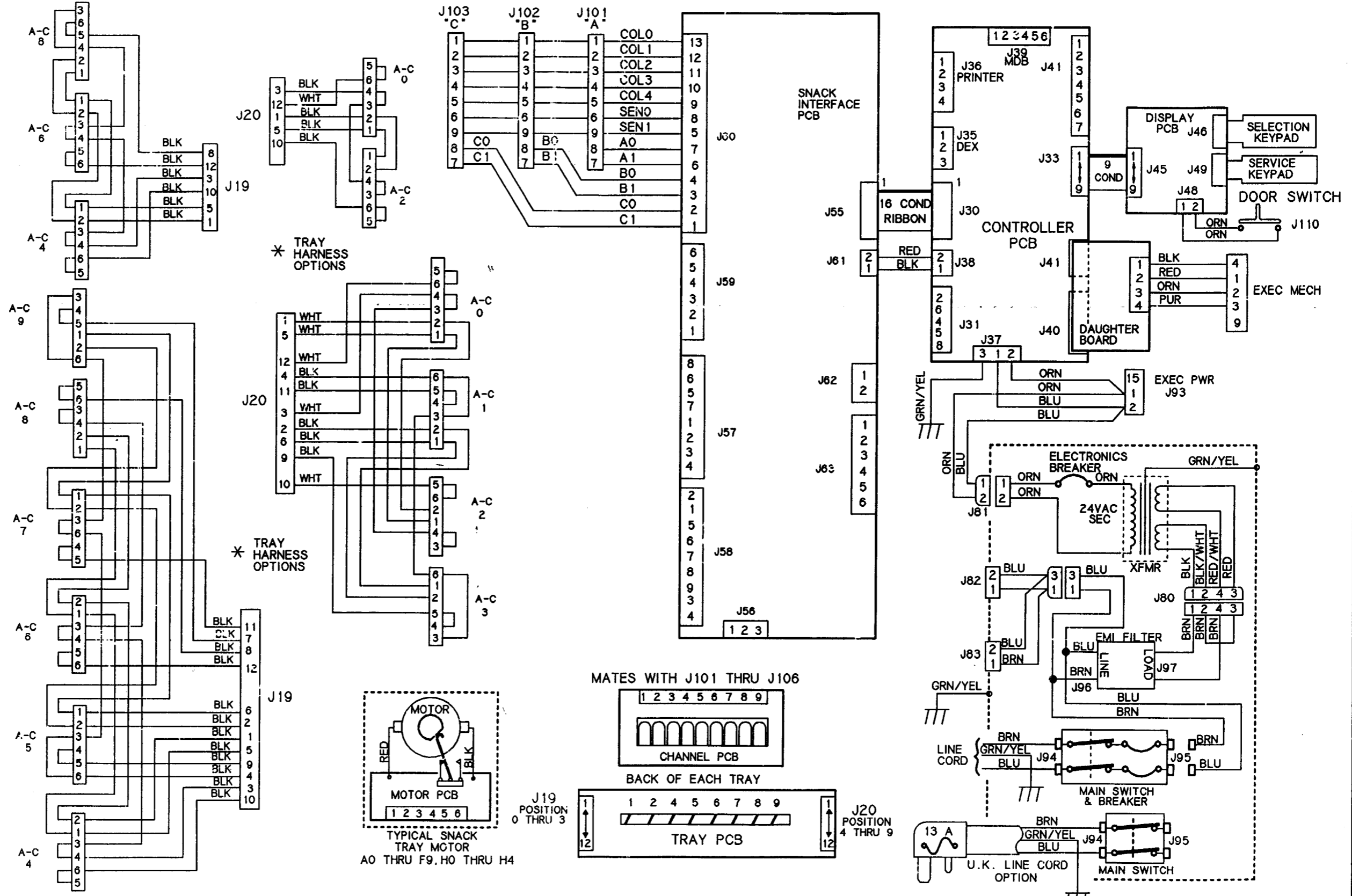


ORIGINAL

PART NO. WD487001	PART NAME W.D. SNACK-3 TRAY - EXEC. - 230V	DATE 12-18-95	DATE 1-2-96
		FINISH	APPROVED BY <i>RD</i>
MATERIAL	REVISION DESCRIPTION PROJ. 9133 TOOL REL. 176	ECO NO.	ECO NO.
		LTR A	APPROVED BY <i>RD</i>
CRANE NATIONAL VENDORS ST. LOUIS, MO 63044-1200	CHECKED BY <i>M.A.</i>	SCALE	SCALE
		UNLESS OTHERWISE SPECIFIED DIMENSIONS ARE IN INCHES	UNLESS OTHERWISE SPECIFIED DIMENSIONS ARE IN INCHES
FILE NAME: WD487001.DRW	UNLESS OTHERWISE SPECIFIED DIMENSIONS ARE IN INCHES	TOLERANCES 2 PLACE DECIMAL ± .02 3 PLACE DECIMAL ± .005 ANGLES ± 1/2° EXCEPT OTHERWISE SPECIFIED SPECIFIED CONCENTRICITY TIR .010 -CAD DRAWING DO NOT REVISE MANUALLY-	

MODEL	ADDITIONAL WIRE DIAGRAMS FOR COMPLETE MACHINE
487	CAN MODULE

PAGE 1 SHOWN



D

C

B

A

D

C

B

A

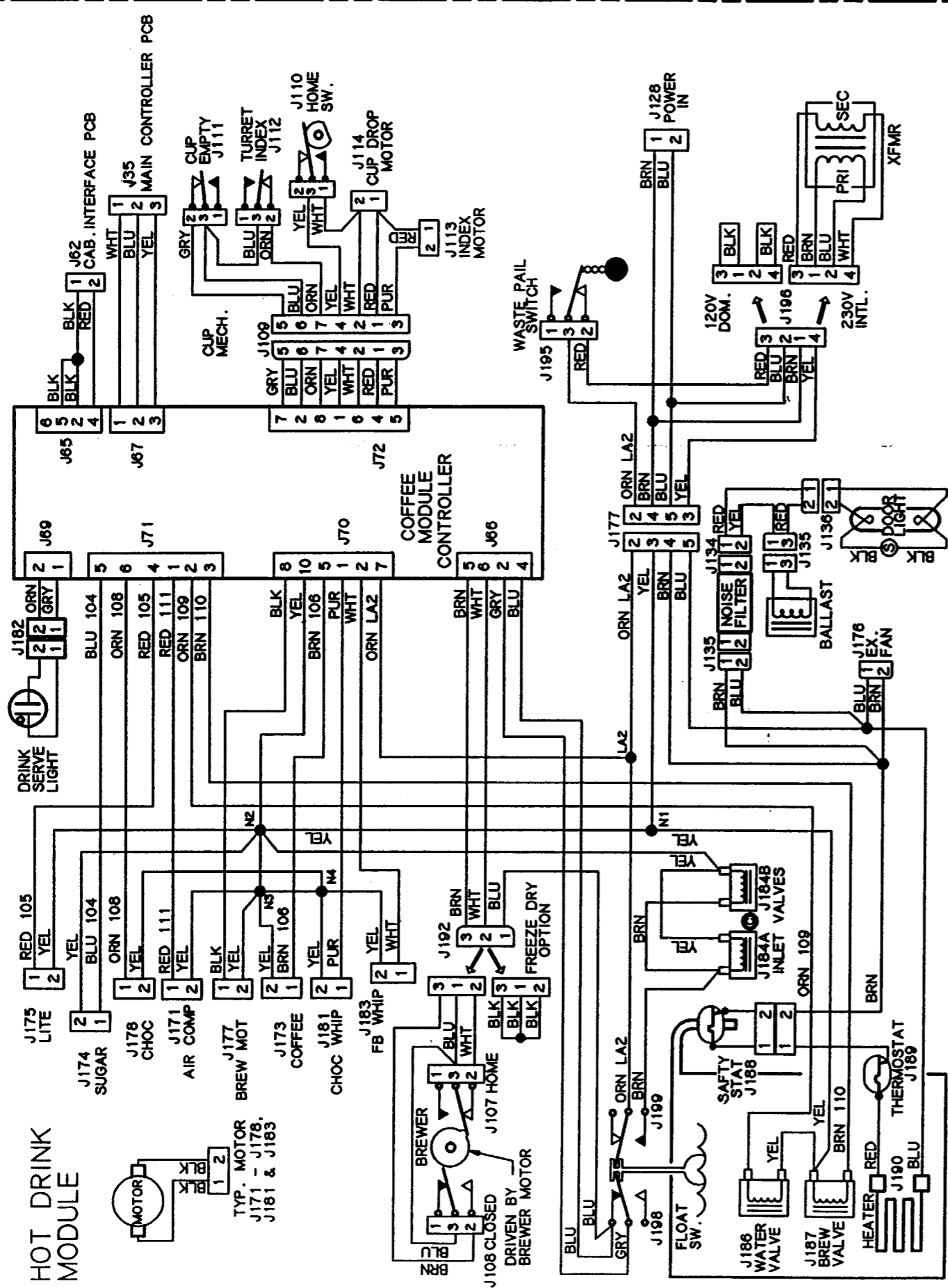




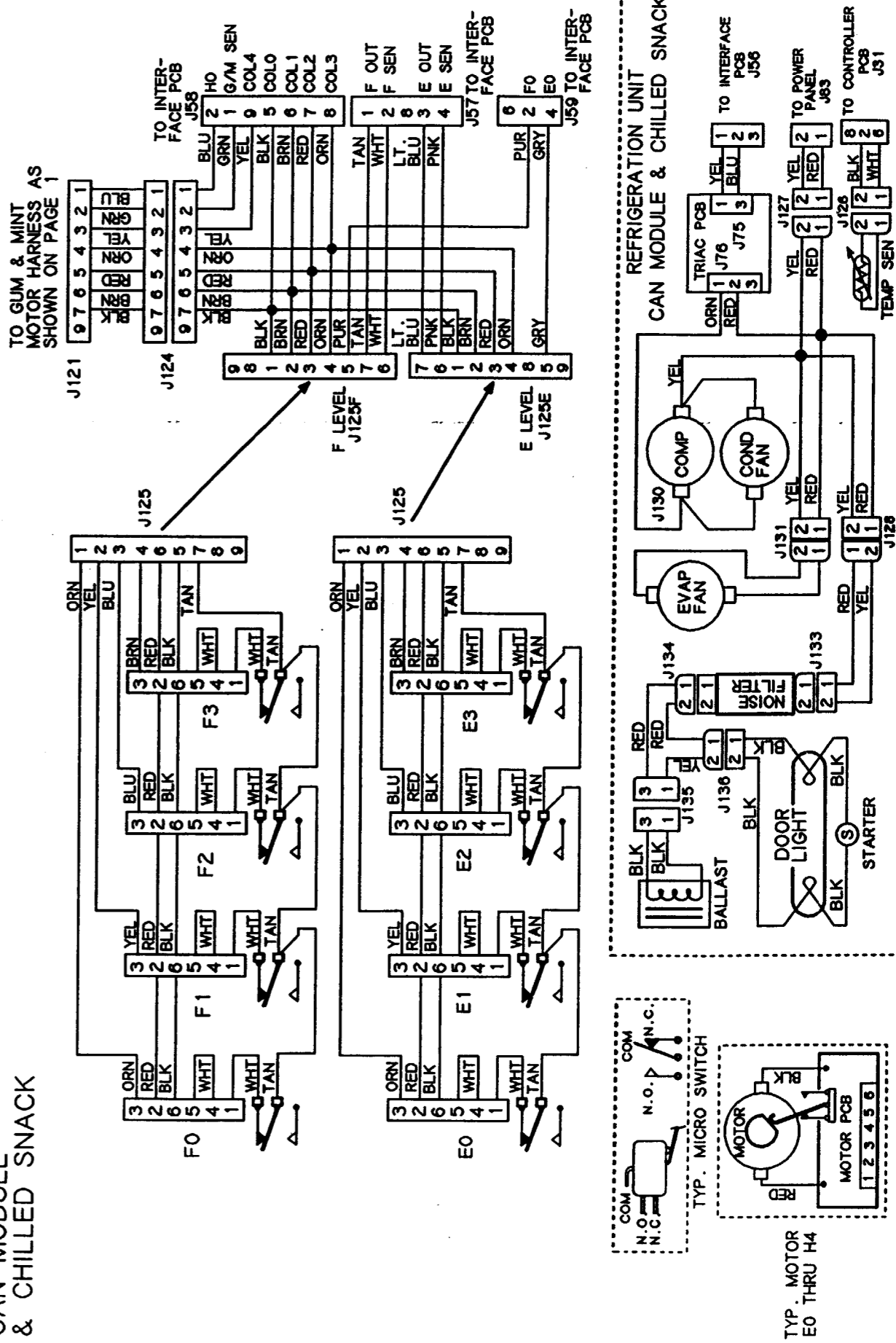
DRAWN BY: JS CHECKED BY: M.S. DATE: 9-26-96  
CAD DRAWING FILE: WD490006.DRW  
DO NOT REVISE MANUALLY

UNLESS OTHERWISE SPECIFIED DIMENSIONS ARE IN INCHES

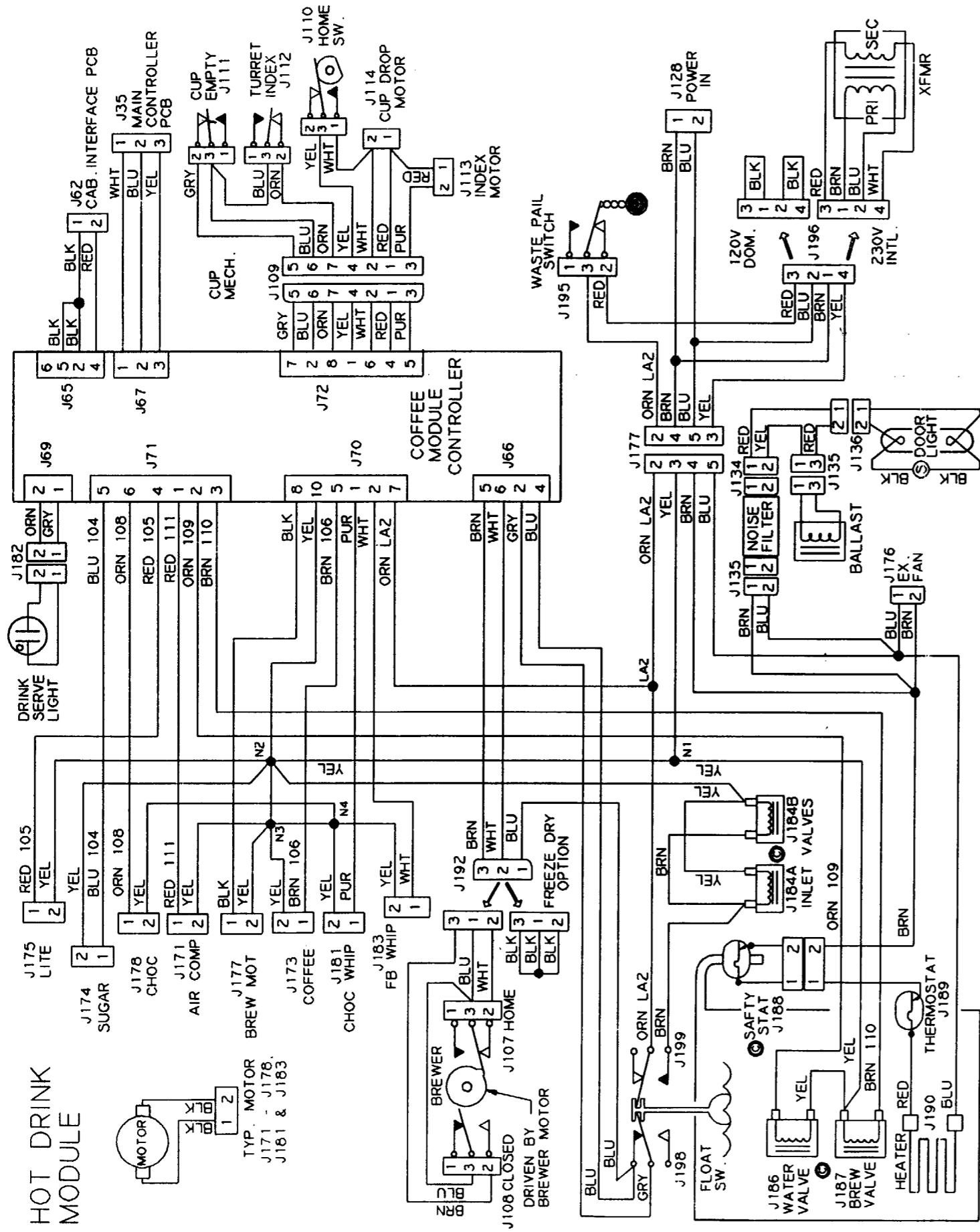
HOT DRINK MODULE



CAN MODULE & CHILLED SNACK

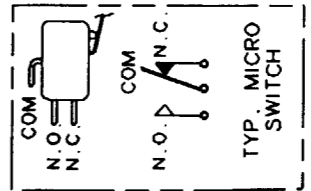
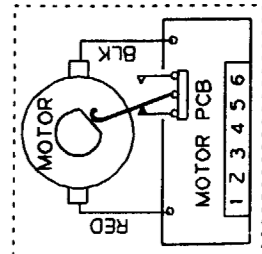
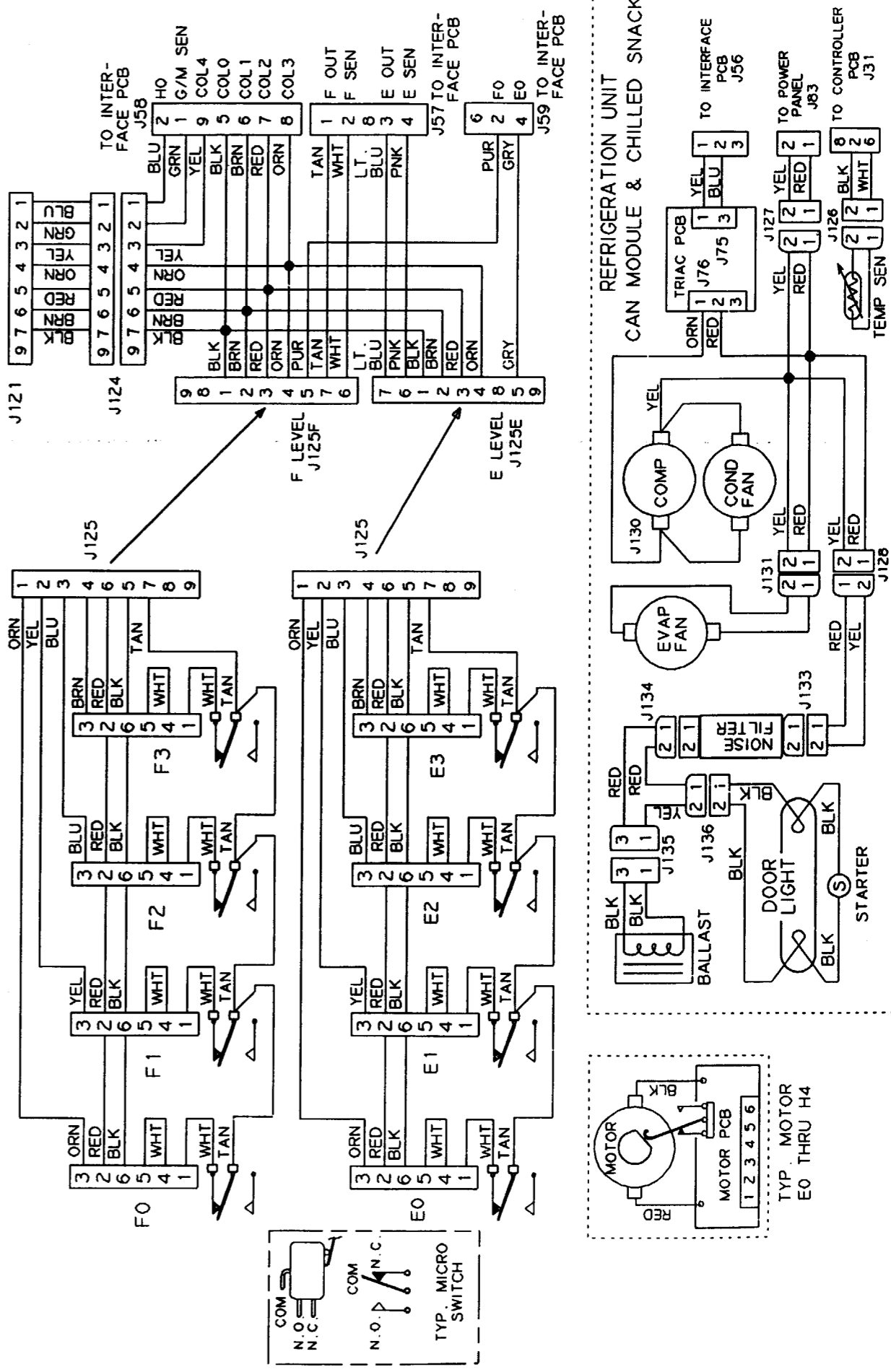


### HOT DRINK MODULE



### CAN MODULE & CHILLED SNACK

TO GUM & MINT MOTOR HARNESS AS SHOWN ON PAGE 1

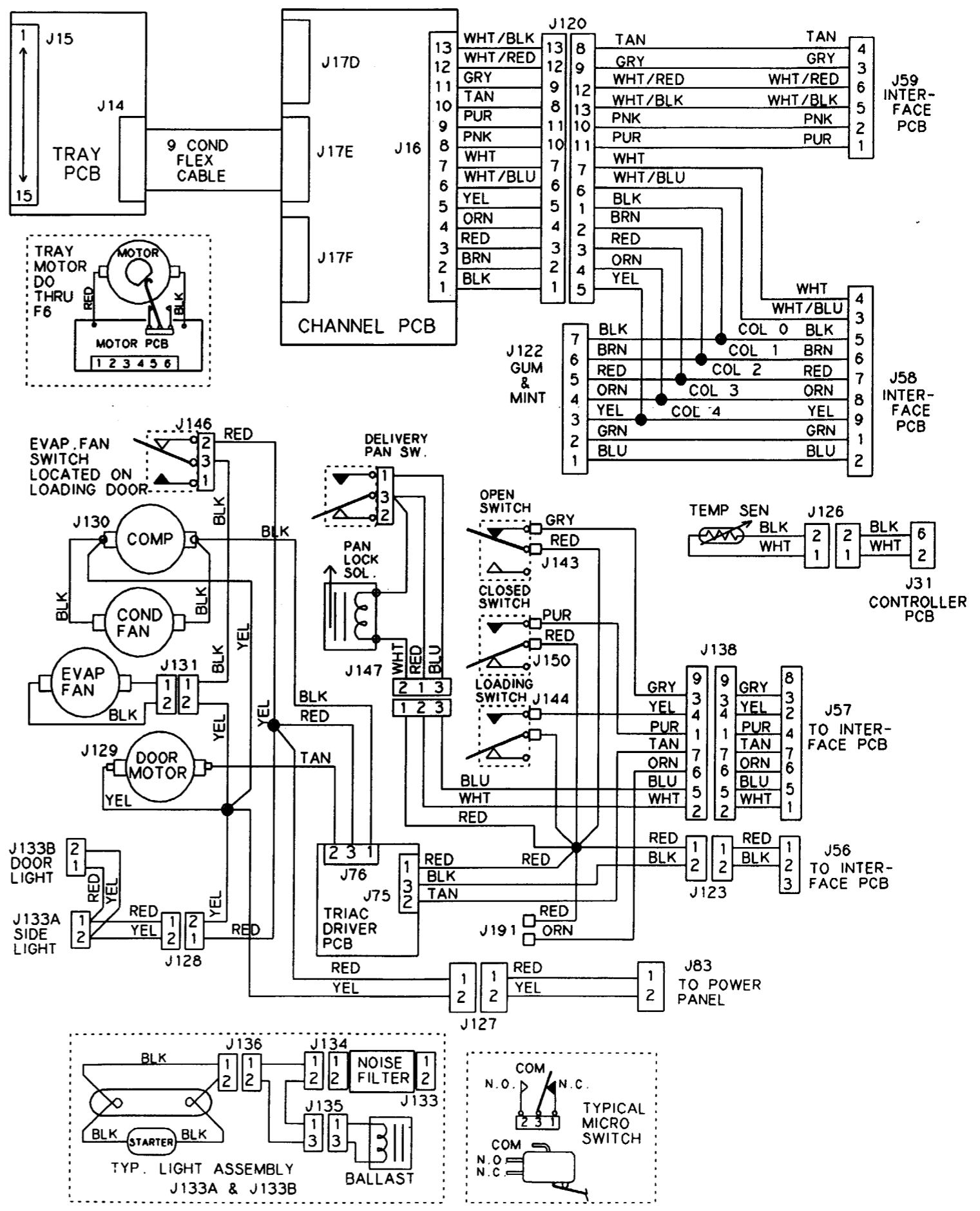
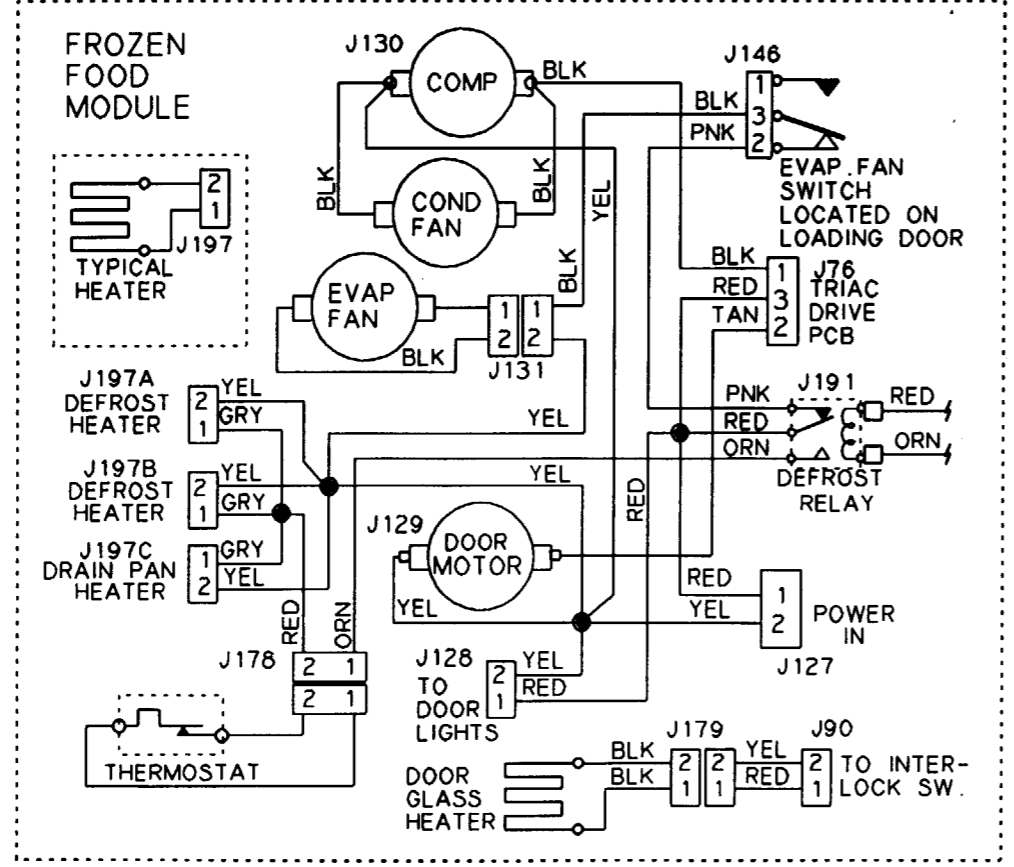
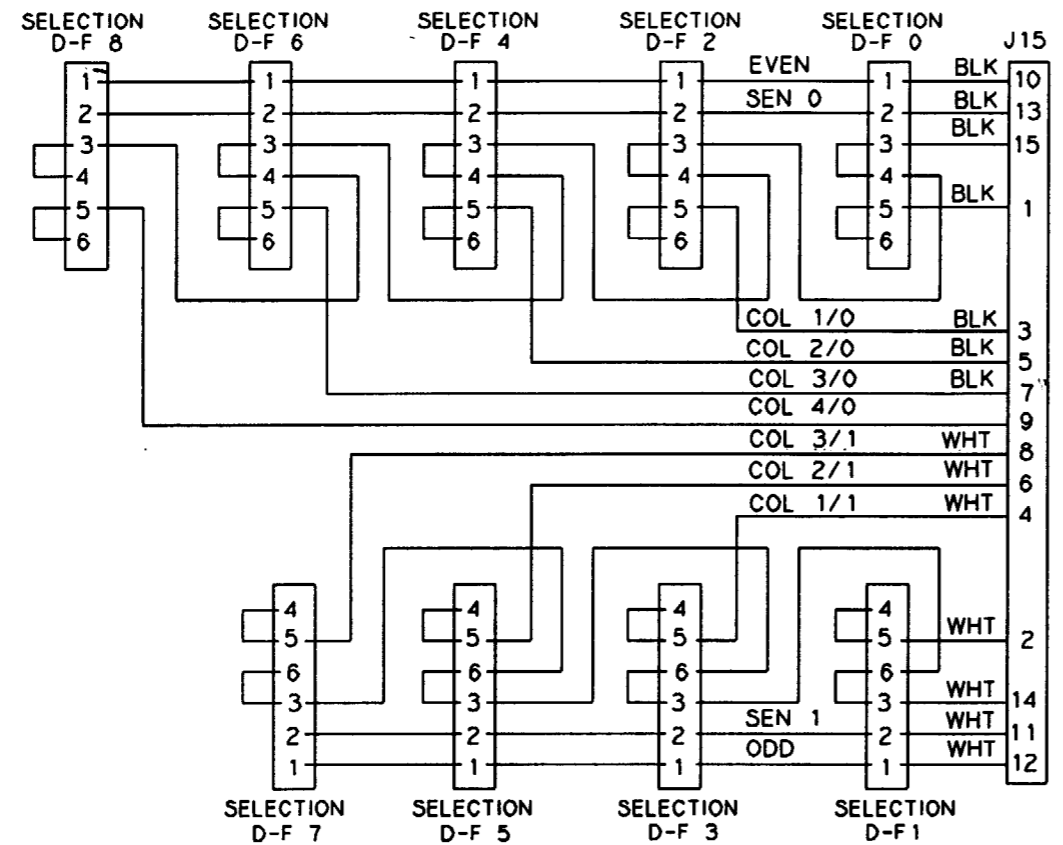




PART NO. **WD497001** PART NAME **W.D. - EXPANDED FOOD MODULE** APPROVED BY: **M.A.** DATE: **3-20-97** APPROVED BY: **M.A.**  
 REVISION DESCRIPTION: **ECO # 497-175** LTR: **A**  
 DRAWN BY: **M.A.** CHECKED BY: **J.F.** DATE: **3-6-97** FILE: **WD497001.DRW**  
 DIMENSIONS ARE IN INCHES UNLESS NOTED TOLERANCE +/- 0.25 INCHES UNLESS NOTED CAD DRAWING - DO NOT REVISE MANUALLY  
**CRANE NATIONAL VENDORS**  
 ST. LOUIS, MO 63044-1200

TRAY STYLE	MOTOR HARNESS INCLUDES CONNECTORS FOR SELECTIONS:
4 BELT	0, 2, 4, & 6
5 SPIRAL	0, 2, 4, 6, & 7
8 BELT	0, 1, 2, 3, 4, 5, 6, & 7
9 SPIRAL	0, 1, 2, 3, 4, 5, 6, 7, & 8

HARNESS PIN OUT FROM J15 TO EACH MOTOR AS SHOWN



4

3

2

1

D

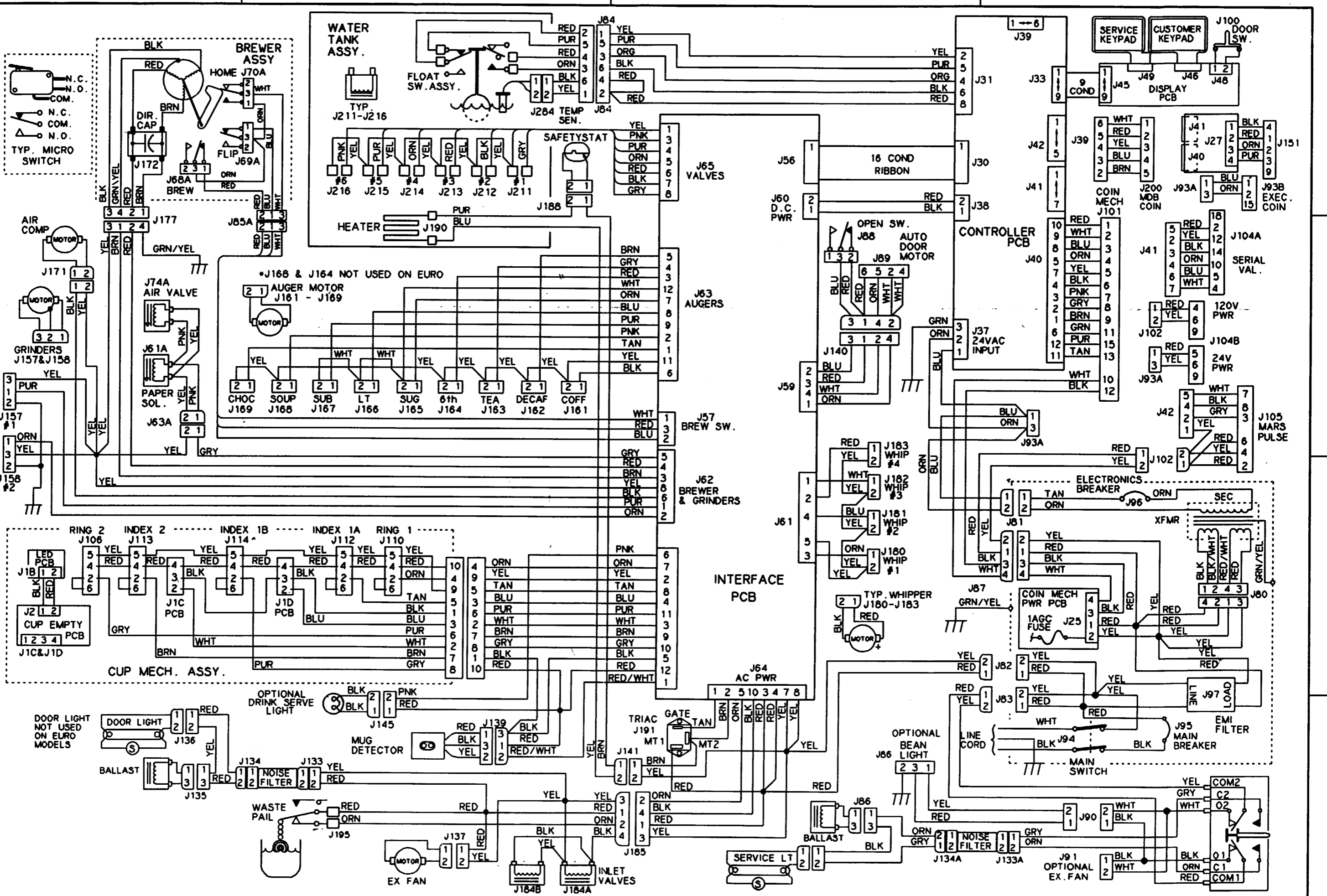
C

B

A

PART NO. **WD633014**  
 PART NAME **W.D. - HOT BEVERAGE - 115V**  
 LTR **A**  
 REVISION DESCRIPTION **ECO# M-5974**  
 DATE **11-10-97**  
 APPROVED **M.A.**  
 ECO NO. **---**  
 DATE **---**  
 APPROVED **---**

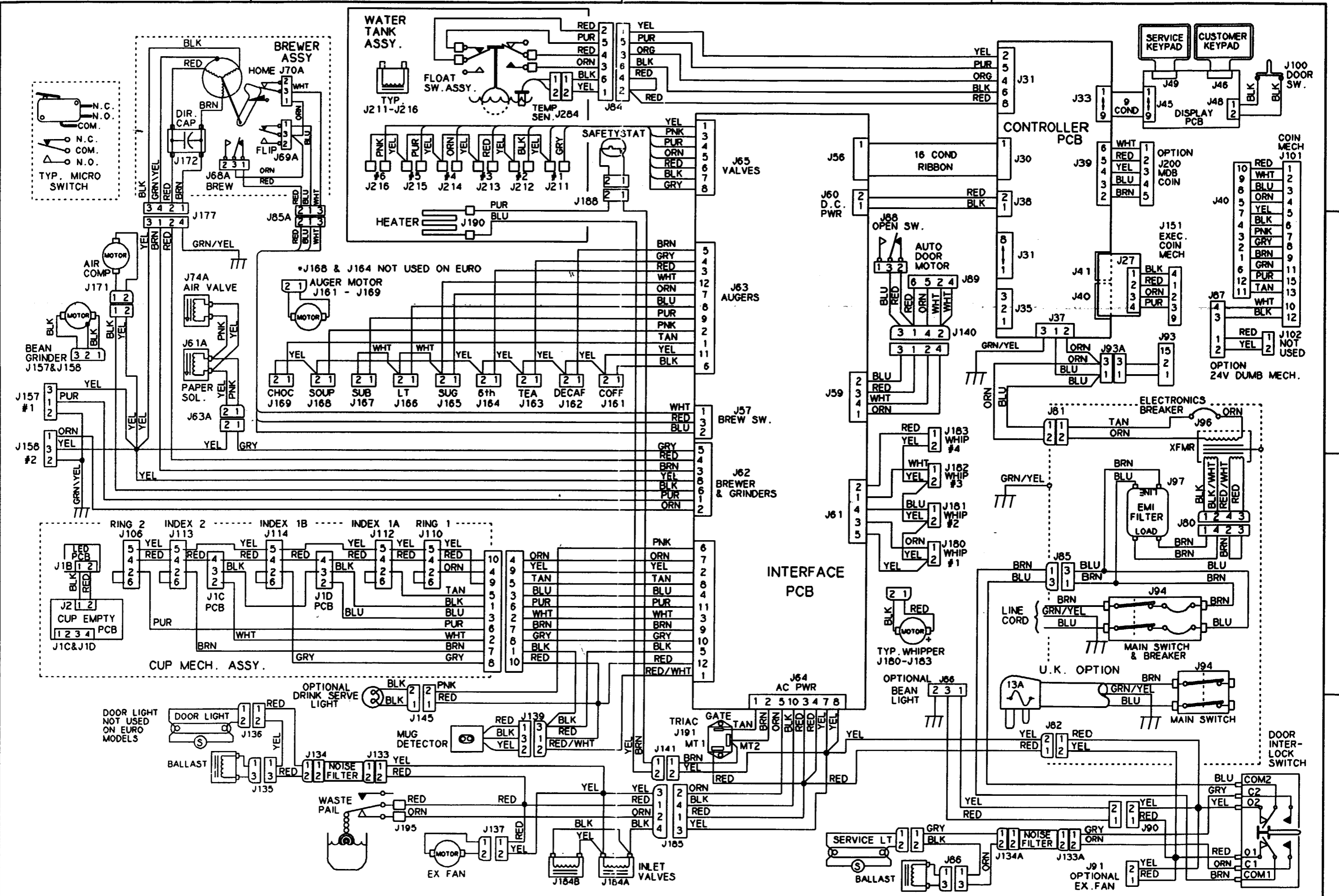
DIMENSIONS ARE IN INCHES UNLESS NOTED  
 TOLERANCE +/- 0.25 INCHES UNLESS NOTED  
 CAD DRAWING - DO NOT REVISE MANUALLY  
 DRAWN BY: J.S. DATE: 11-10-97  
 CHECKED BY: DATE: 11-10-97  
 SCALE: NONE FILE: WD633014.DRW  
 CRANE NATIONAL VENDORS  
 ST. LOUIS, MO 63044-1200





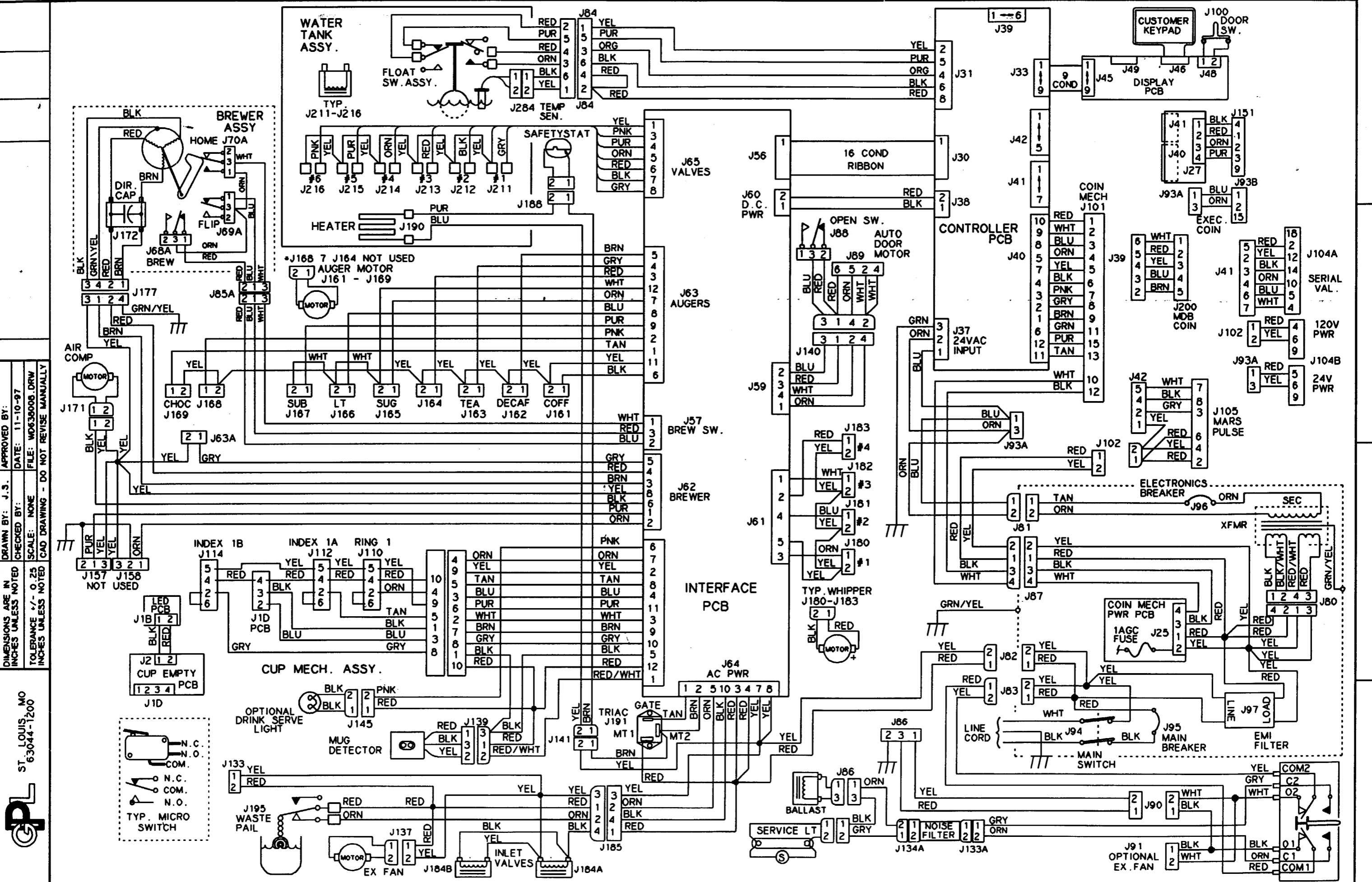
PART NO. **WD633015** PART NAME **W.D. - HOT BEVERAGE - 230V** LTR. **A** ECO # **M-5974** APPROVED DATE **11-10-97** M.A.

DRAWN BY: J.S. APPROVED BY: DATE: 11-10-97  
 CHECKED BY: DATE: 11-10-97  
 DIMENSIONS ARE IN INCHES UNLESS NOTED  
 TOLERANCE +/- 0.25 INCHES UNLESS NOTED  
 CAD DRAWING - DO NOT REVISE MANUALLY



CRANE NATIONAL VENDORS  
 ST. LOUIS, MO 63044-1200

PART NO. **WD638008** PART NAME **W.D. - HOT BEVERAGE - 115V** APPROVED BY: **J.S.** DATE: **11-10-97**  
 DRAWN BY: **J.S.** CHECKED BY: **J.S.** DATE: **11-10-97** FILE: **WD638008.DRW**  
 DIMENSIONS ARE IN INCHES UNLESS NOTED TOLERANCE +/- 0.25 INCHES UNLESS NOTED CAD DRAWING - DO NOT REVISE MANUALLY  
 LTR **A** REVISION DESCRIPTION **ECO# N-5974**



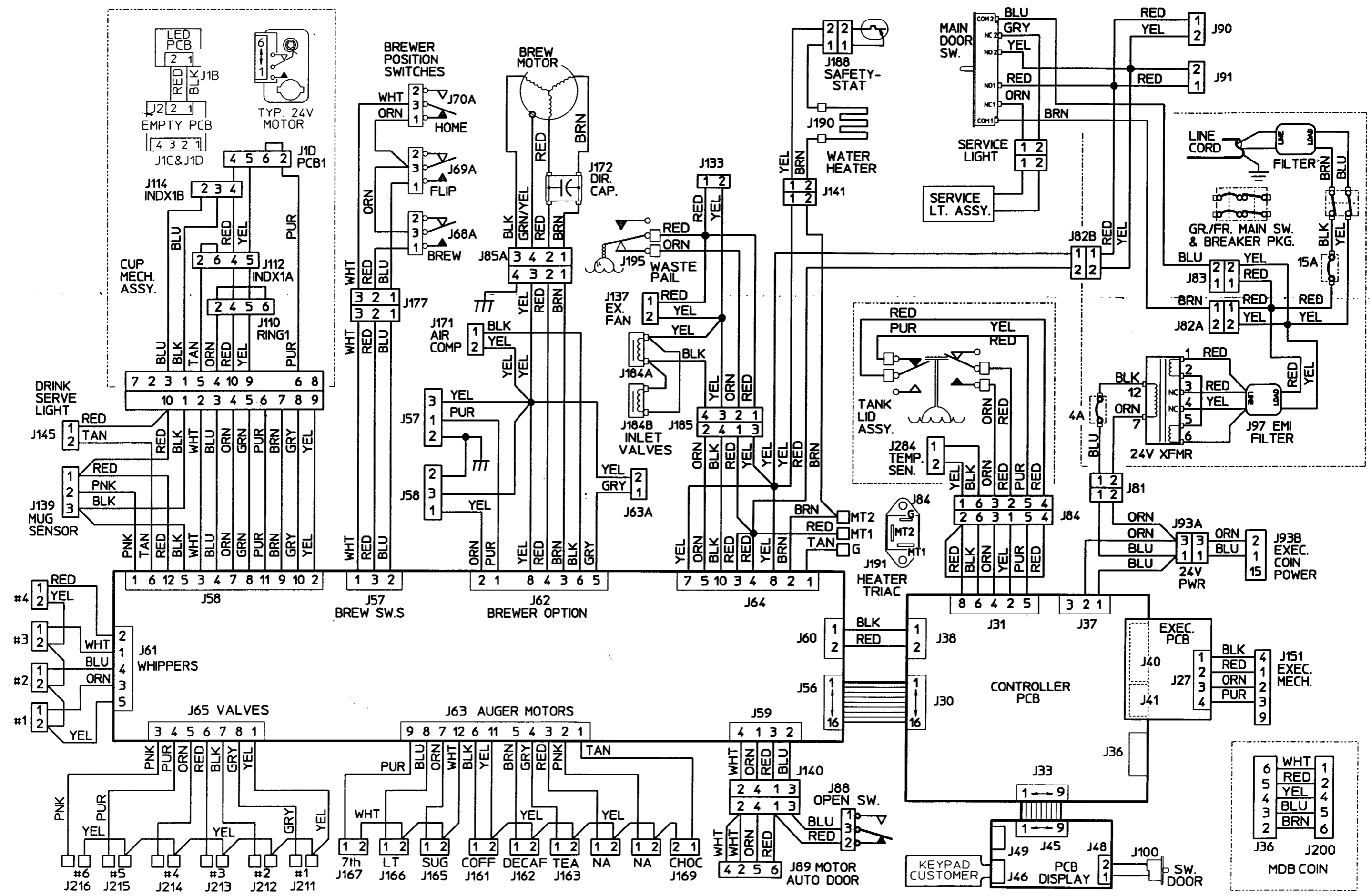
ST. LOUIS, MO  
 63044-1200



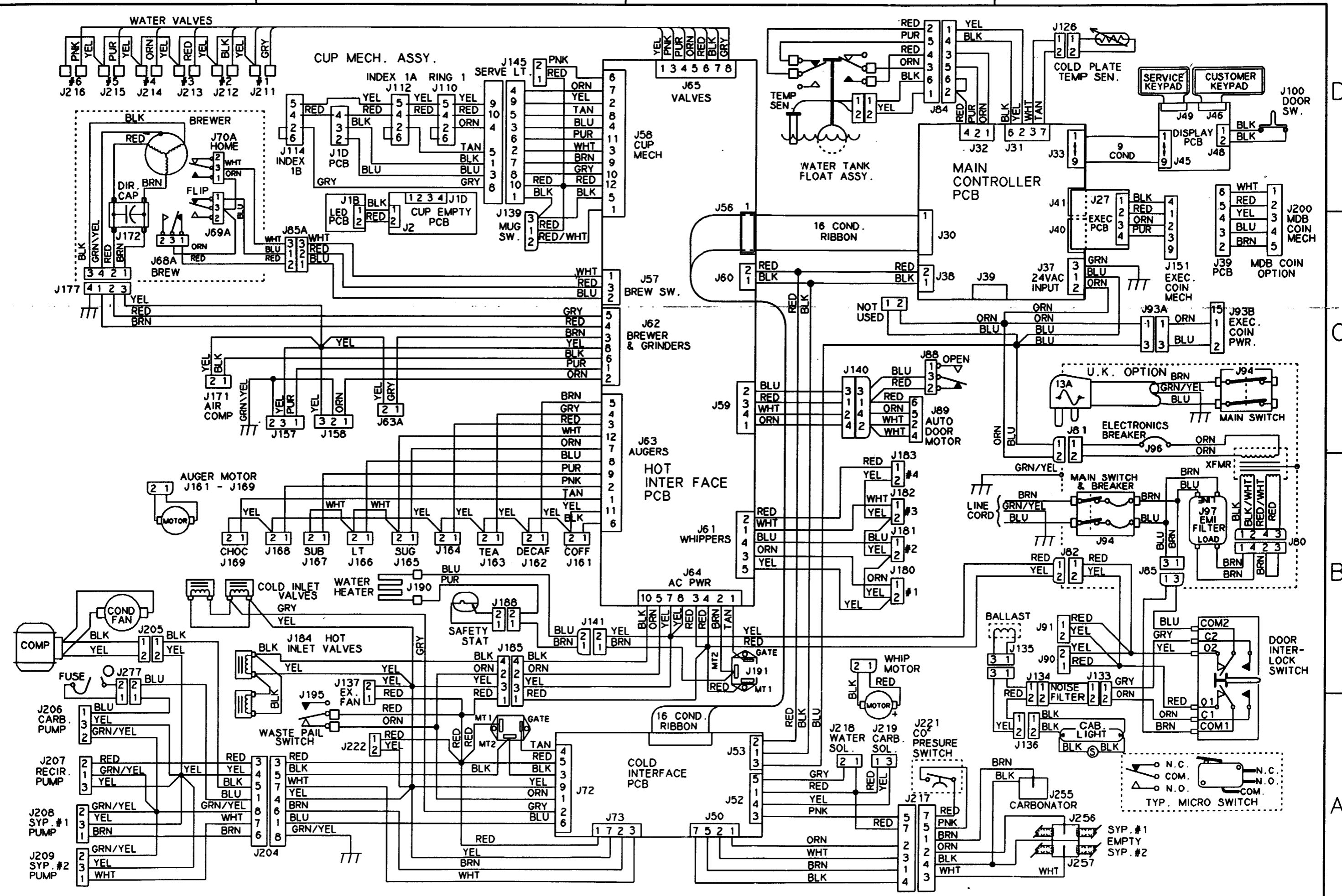


ORIGINAL

WD638011 W.D.- HOT BEVERAGE - 230V CAD FILE: WD638011M LTR A ECO #680-110 REVISION & DESCRIPTION DATE 03-01-99 DRW BY: J.S. APP. BY: M.A.

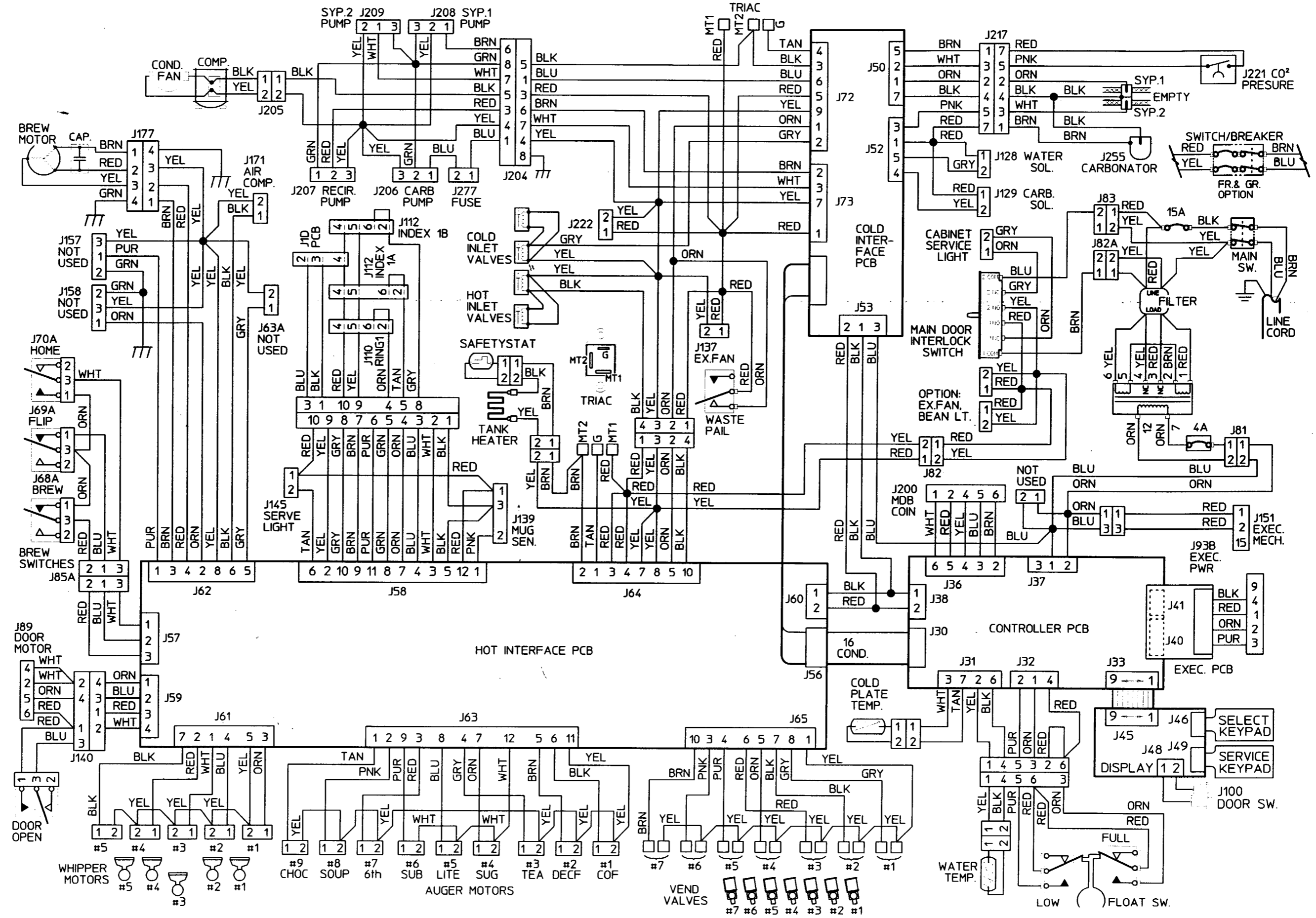


PART NO. **WD639005** PART NAME **W.D. - EURO TWIN - 230V** APPROVED BY: **J.S.** DATE: **11-10-97**  
 DRAWN BY: **J.S.** CHECKED BY: **J.S.** DATE: **11-10-97** FILE: **WD639005.DRW**  
 DIMENSIONS ARE IN INCHES UNLESS NOTED TOLERANCE +/- 0.25 INCHES UNLESS NOTED CAD DRAWING - DO NOT REVISE MANUALLY  
 CRANE NATIONAL VENDORS ST. LOUIS, MO 63044-1200  
 ECO NO. **ECO# M.5974** REVISION DESCRIPTION LTR **A** DATE **11-10-97** APPROVED **M.S.**

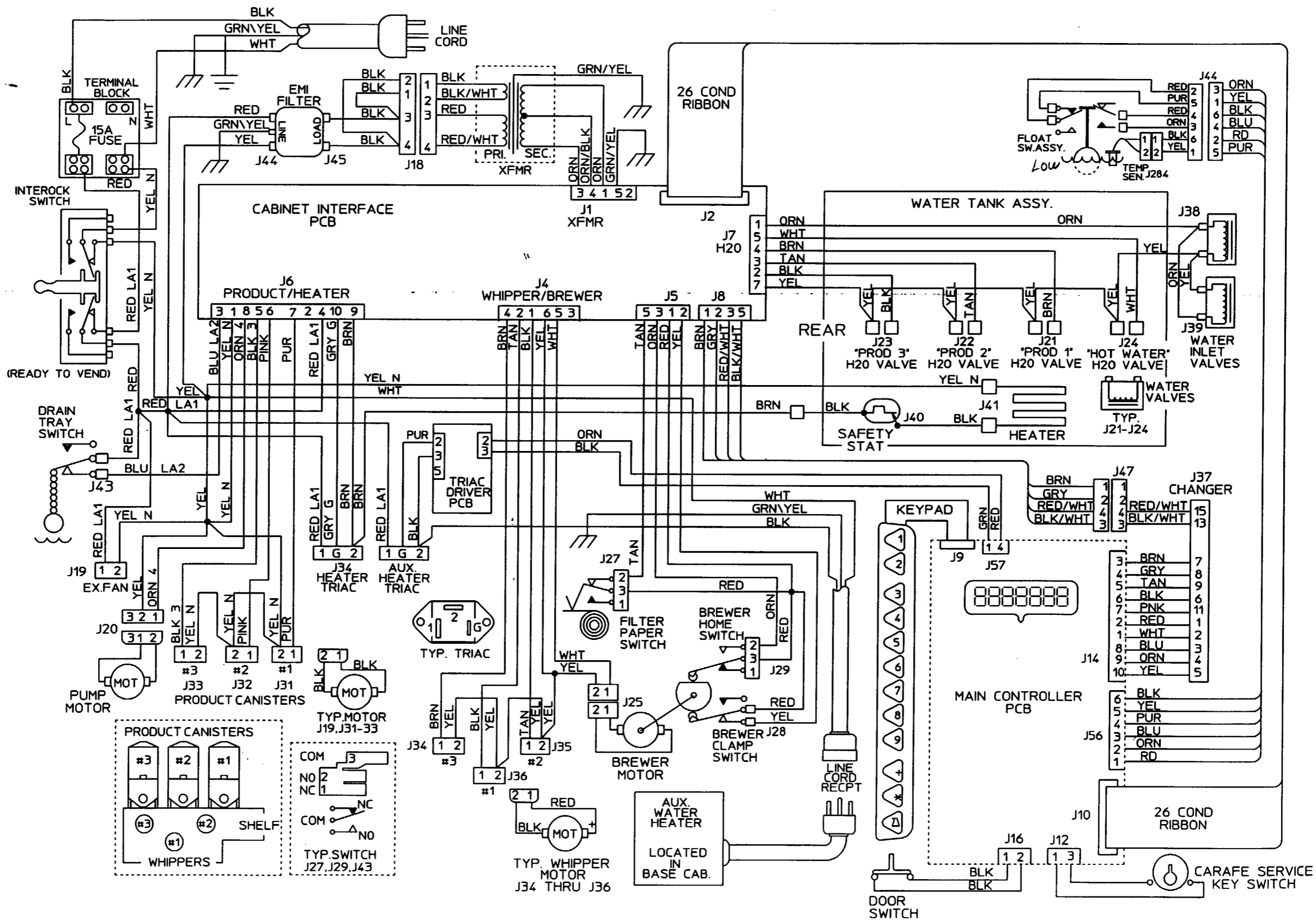


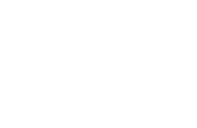
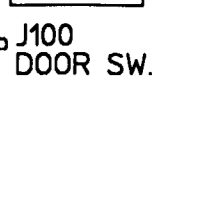
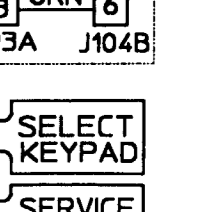
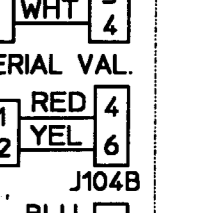
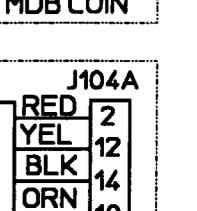
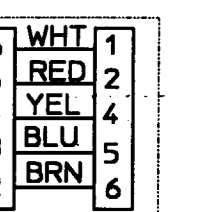
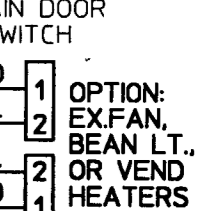
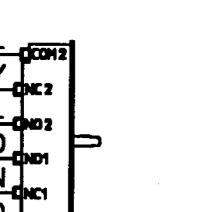
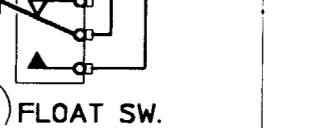
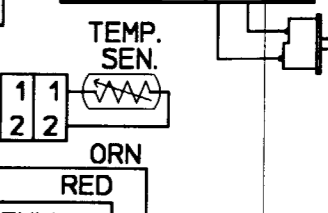
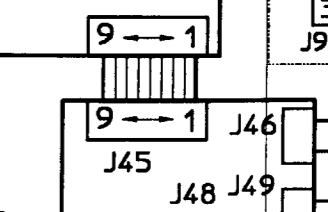
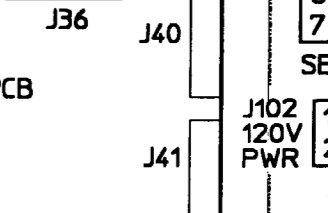
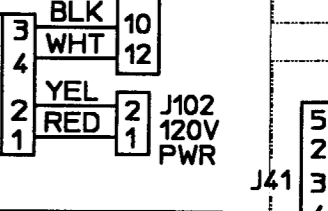
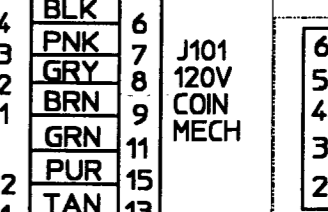
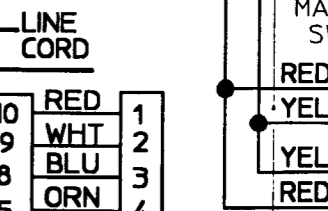
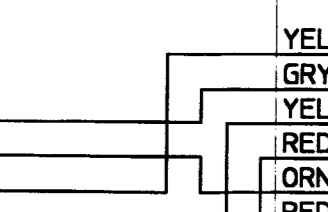
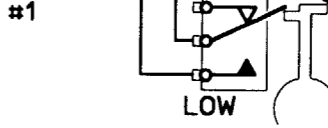
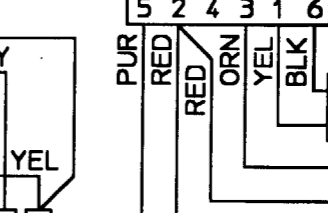
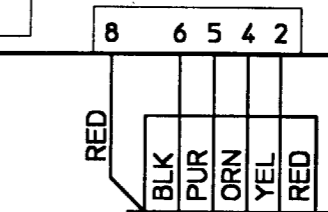
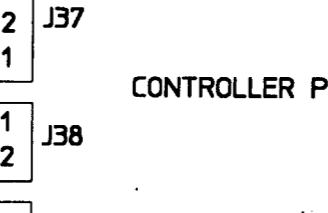
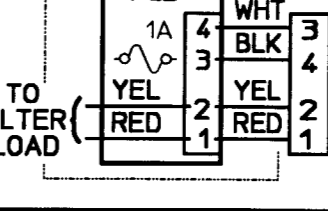
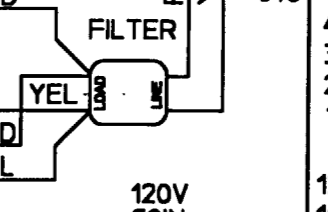
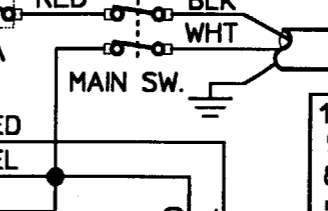
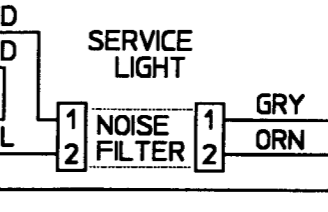
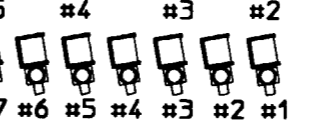
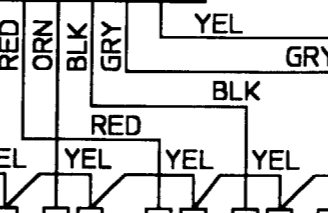
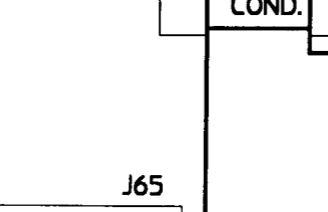
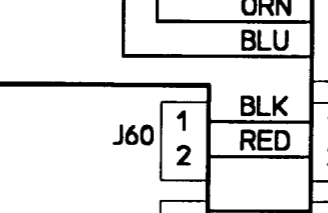
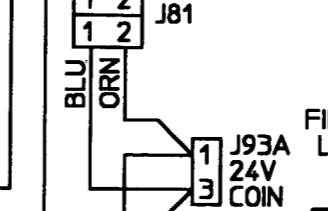
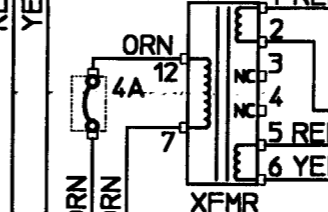
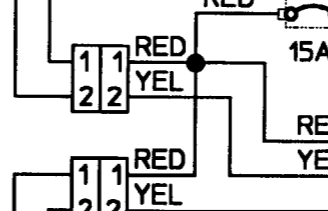
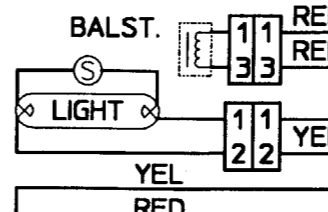
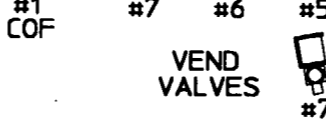
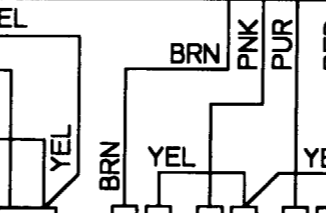
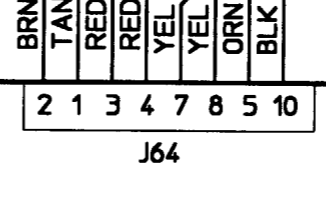
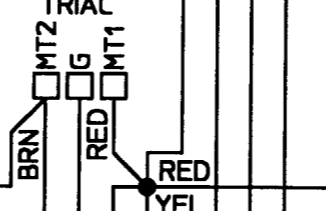
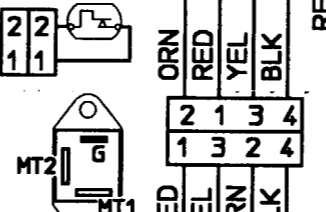
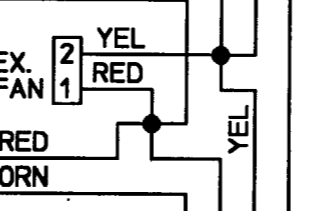
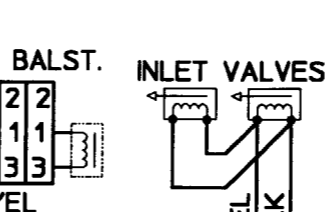
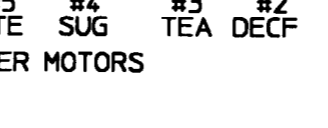
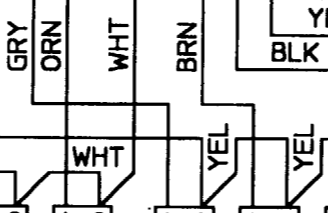
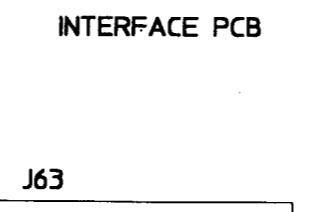
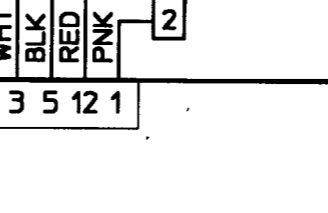
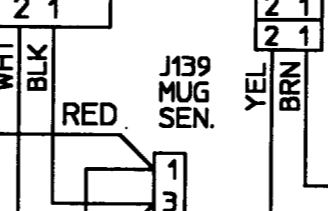
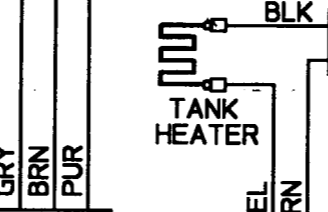
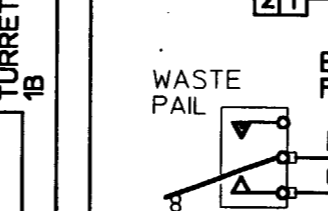
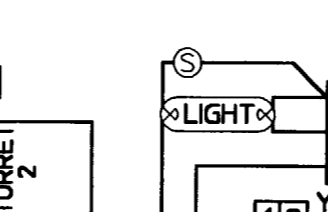
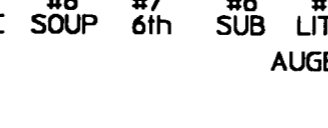
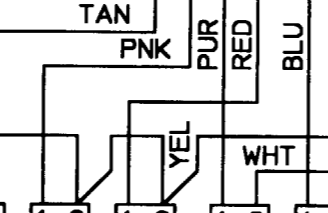
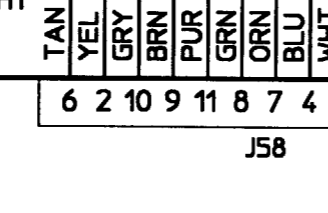
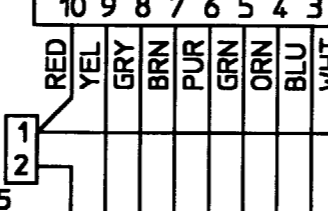
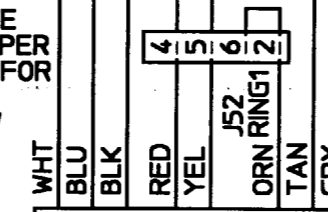
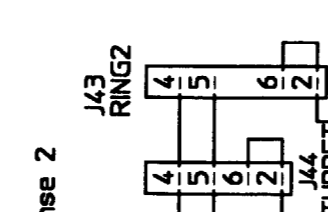
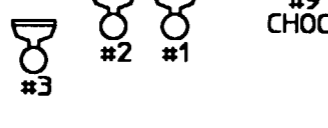
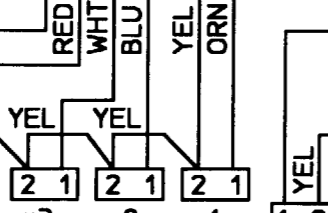
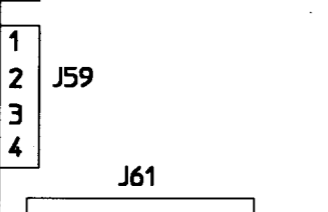
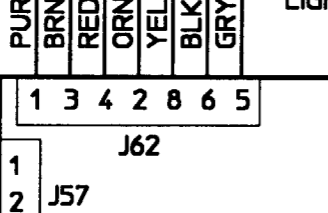
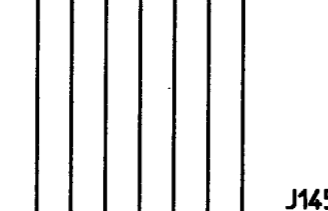
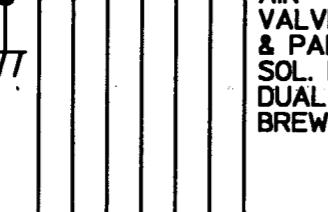
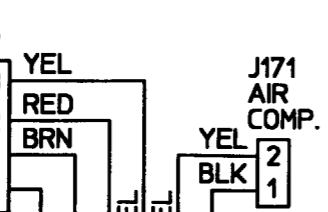
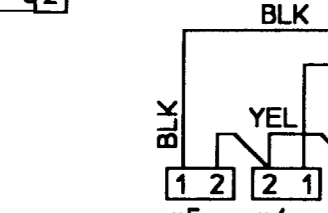
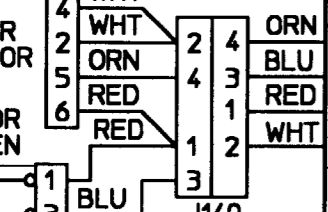
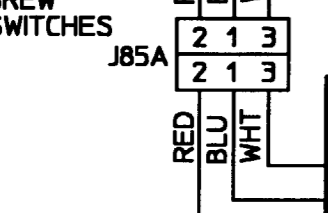
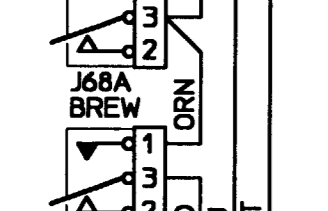
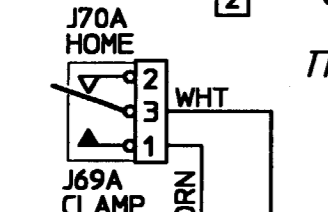
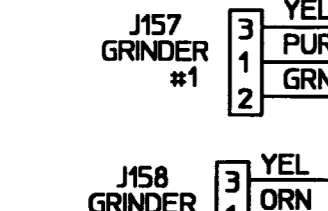
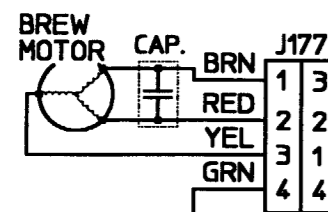
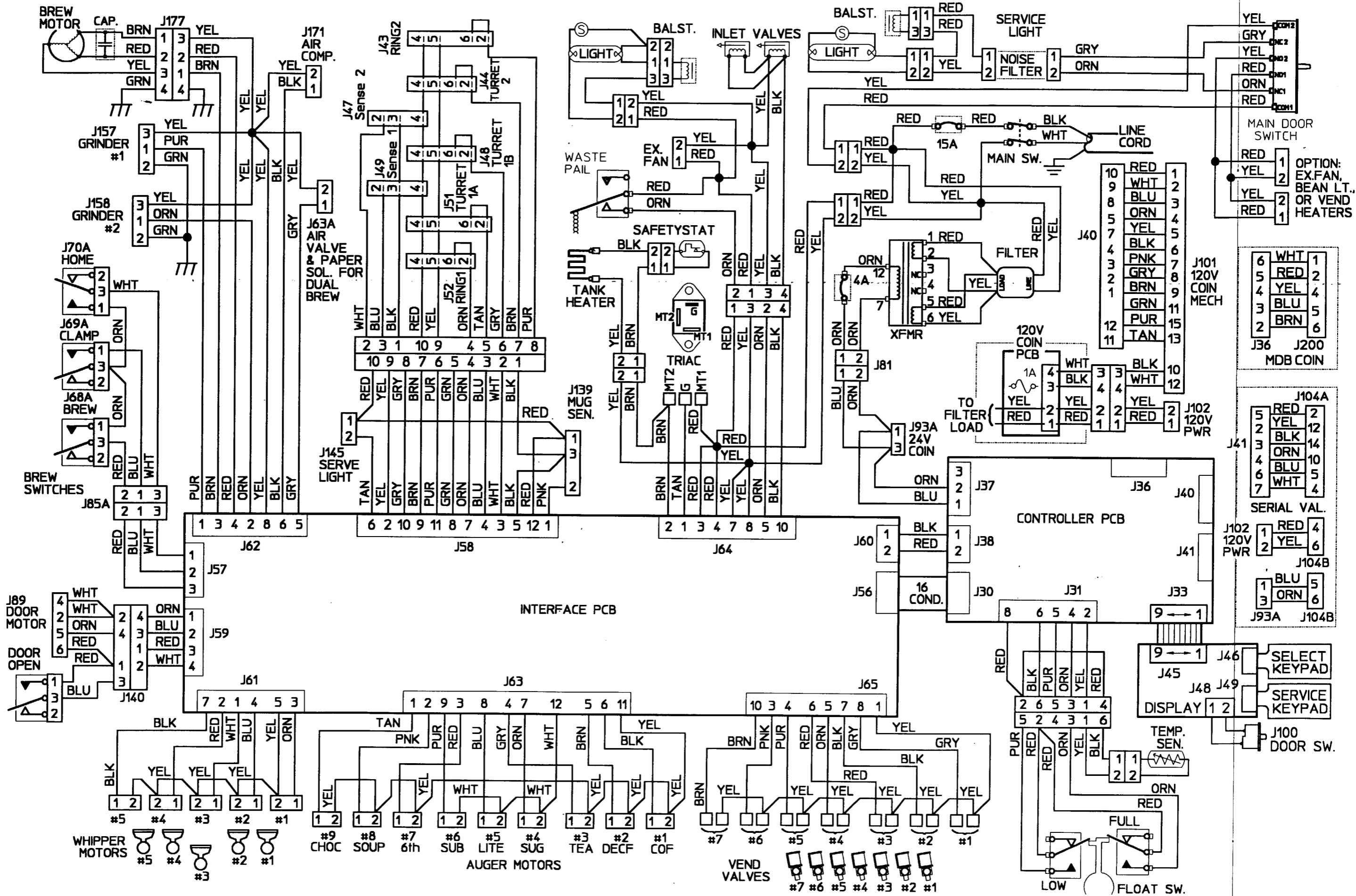


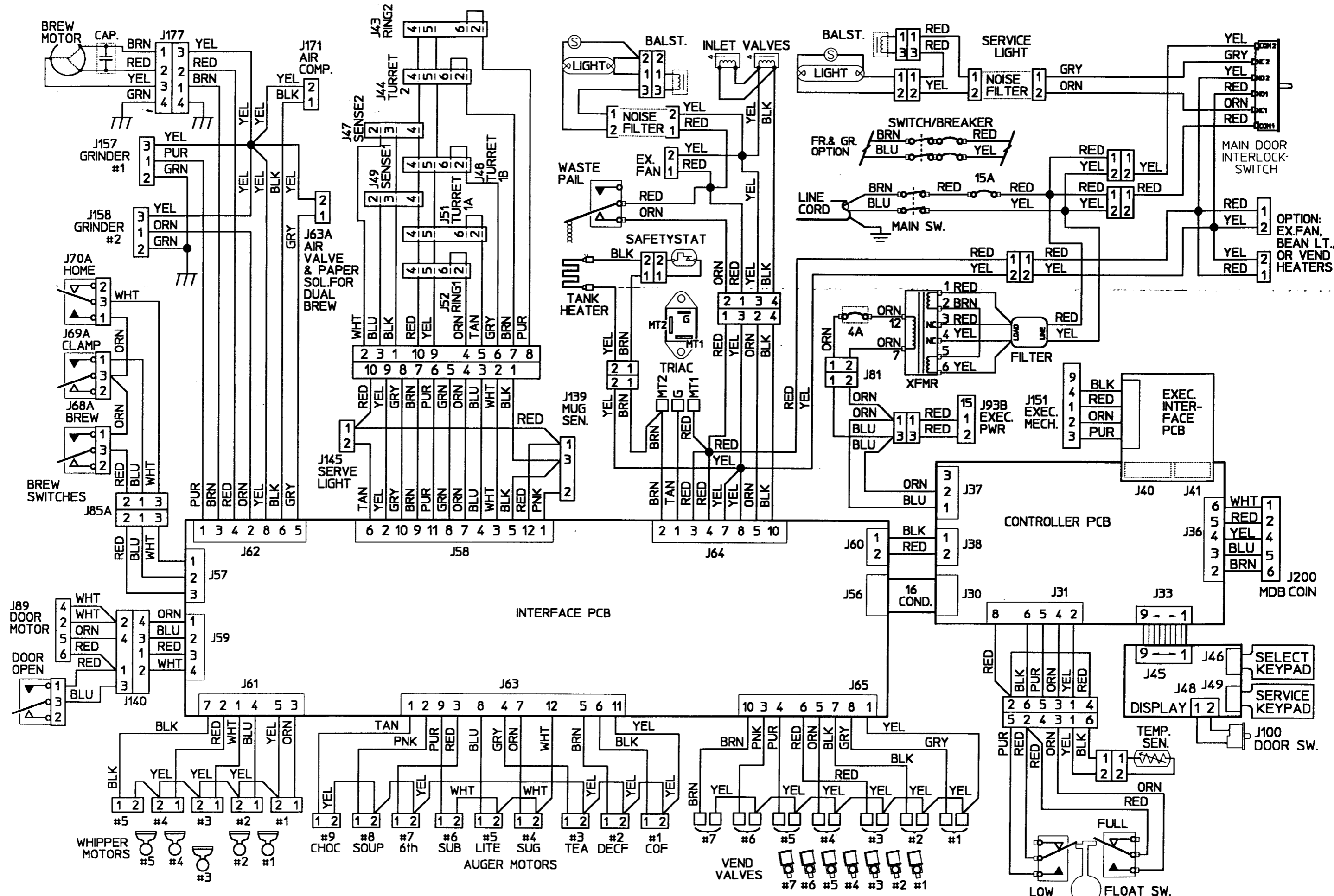
PART NO. <b>WD639006</b>	PART NAME <b>W.D.- EURO TWIN - 230V</b>	DATE	DESCRIPTION	ECO NO.	DATE	APP. BY
		06-13-00	<b>ECO# 639-192</b>		6-28-00	J.S.
MATERIAL		DATE	DESCRIPTION	ECO NO.	DATE	APP. BY
SEE DRAWING NOTES & SPEC.		06-13-00	<b>ECO# 639-192</b>		6-28-00	J.S.
FINISH		DATE	DESCRIPTION	ECO NO.	DATE	APP. BY
		06-13-00	<b>ECO# 639-192</b>		6-28-00	J.S.
TOLERANCE UNLESS NOTED: 2 PLACE DECIMAL, .02 3 PLACE DECIMAL, .005 ANGLES 1/2" EXCEPT UNLESS NOTED FILE: WD639006H CAD DRAWING DO NOT MANUALLY REVISE		CHECKED BY	APPROVED BY			
SCALE NONE		J.S.	M.J.			
DIMENSIONS IN INCHES UNLESS NOTED						
CRANE NATIONAL VENDORS ST. LOUIS, MO 63044-1200						



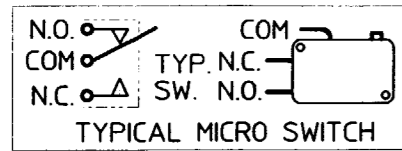
PART NO. WD644000	PART NAME W.D.- CS7 W/ AUX. HEATER - 115V	DATE 1-22-97	REVISION	APPROVED BY M.A.
		DRAWN BY G.L.	DESCRIPTION ECO# 644-100	DATE 7-24-97
MATERIAL	FINISH	SCALE	CHECKED BY M.A.	
		UNLESS OTHERWISE SPECIFIED DIMENSIONS ARE IN INCHES		APPROVED BY
<p><b>CRANE NATIONAL VENDORS</b> ST. LOUIS, MO 63044-1200 FILE NAME: WD644000.MI</p>		<p>2 PLACE DECIMAL ±.02 3 PLACE DECIMAL ±.005 UNLESS OTHERWISE SPECIFIED DIMENSIONS ARE IN INCHES OTHERWISE FORMED ANGLES, 45° SPECIFIED OR CONCENTRICITY TR .010 -CAD DRAWING DO NOT REVISE MANUALLY-</p>		



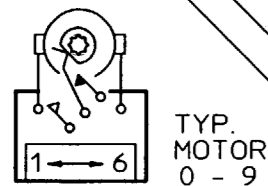
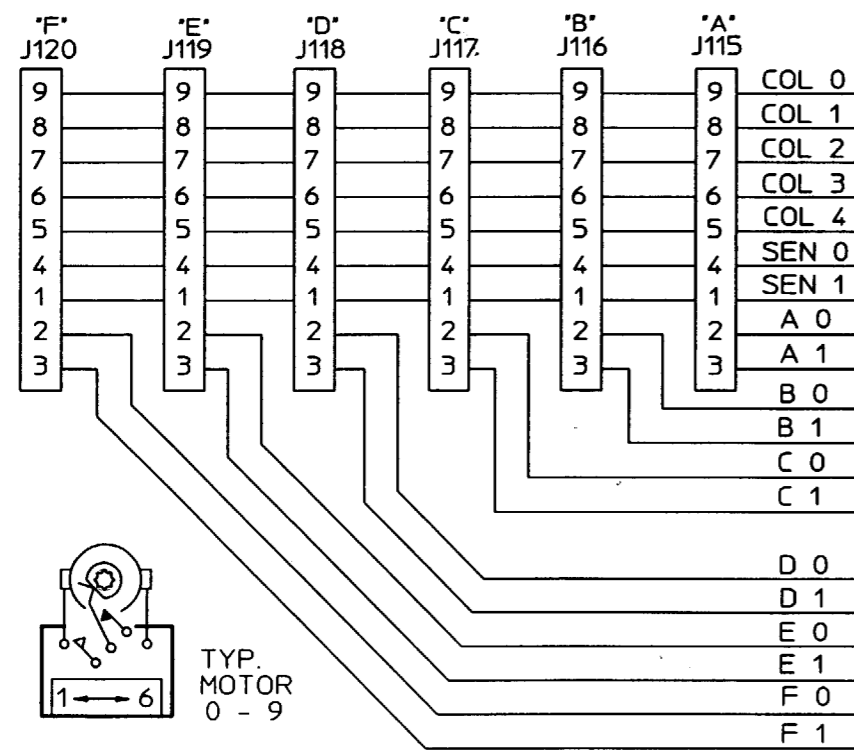
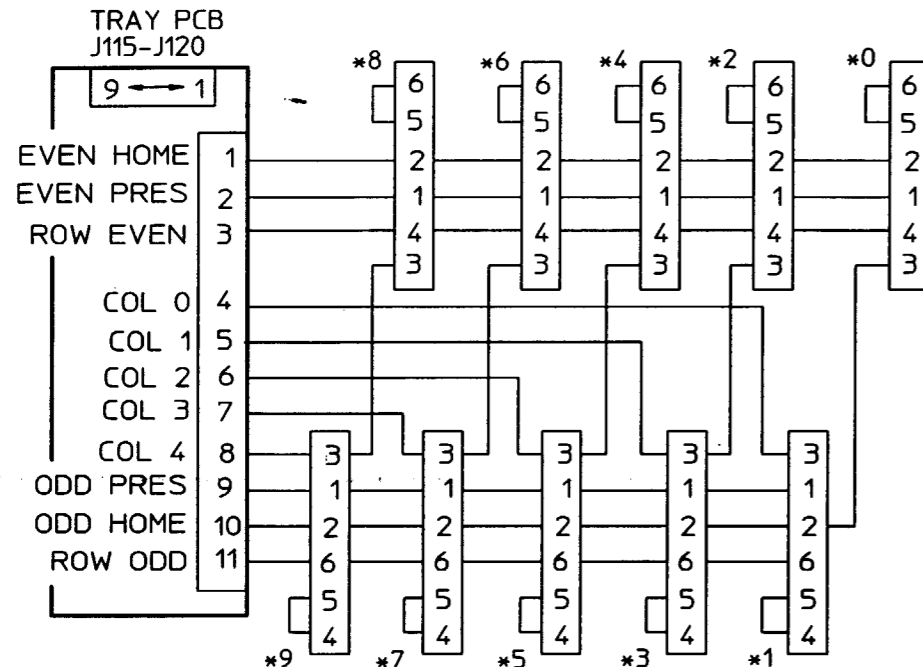








TRAY HARNESS	WIRE COLOR	WIRE NUMBER
4	*0, *2, *4, & *6	
5	*0, *2, *4, *6, & *8	
8	*0 THRU *7	
10	*0 THRU *9	



\*NOTE: WIRE COLOR IS BLACK UNLESS LABELED

