

PART NO. **WD 159008**

GPL ST. LOUIS, MO
63044-1200

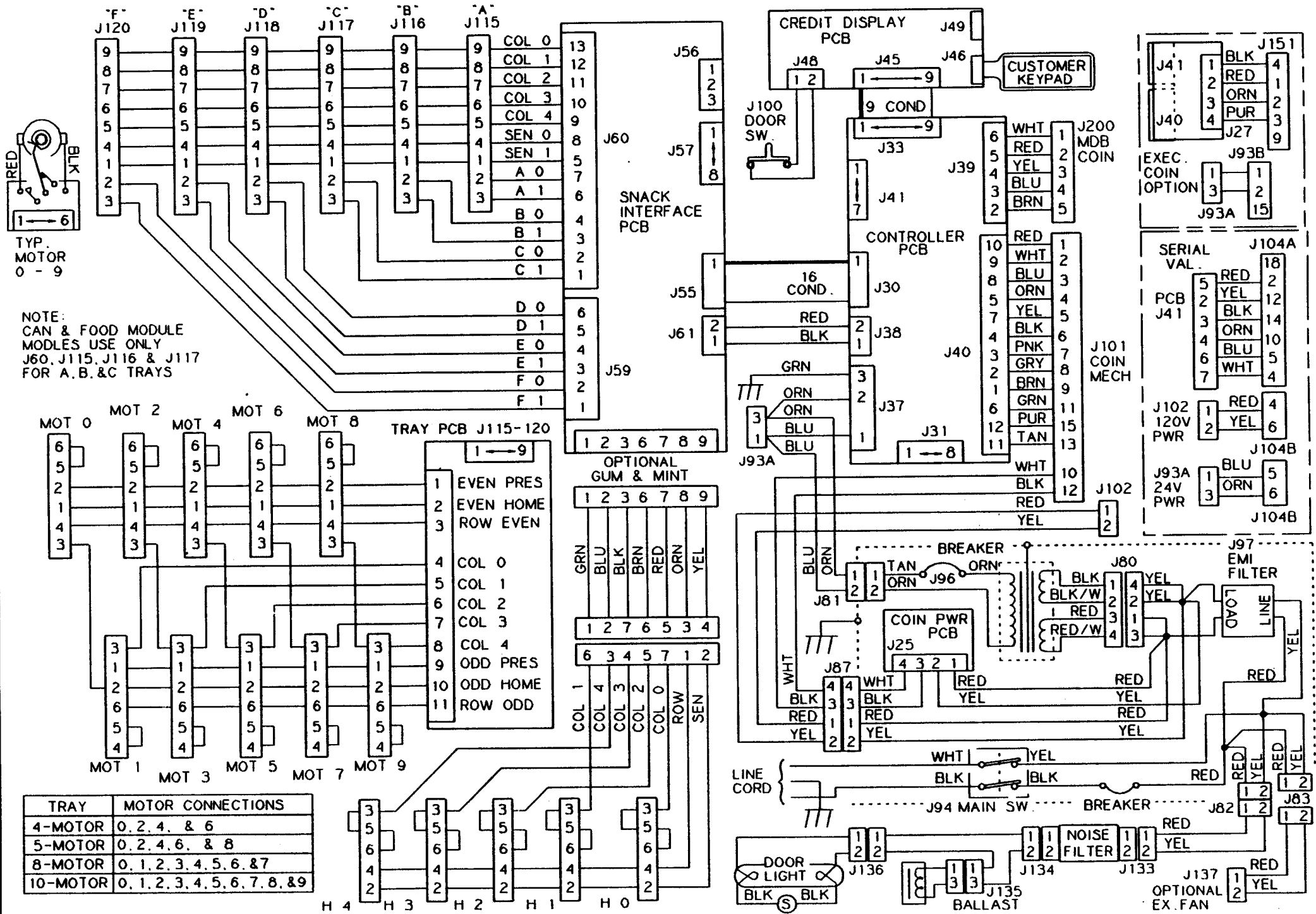
DATE: 07-21-97 APPROVED BY: *M.A.*
DRAWN BY: J.S. FILE: WD159008.DRW

LTR A REVISION DESCRIPTION ECO # 11-5A9 DATE 7-21-97 APP. M.A.

PART NAME **W.D. - GPL SNACK - 115V**

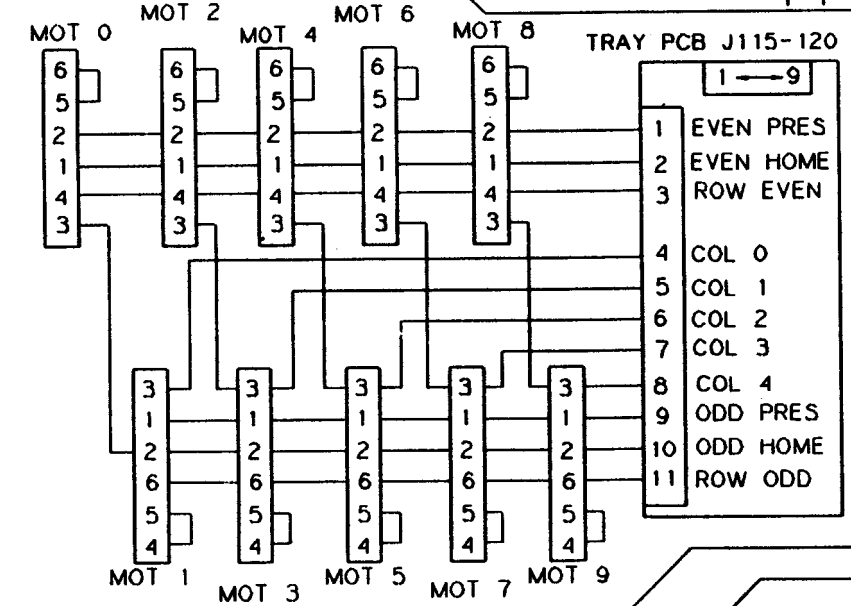
DIMENSIONS IN INCHES
+/- 0.25 UNLESS NOTED

Master



TYP. MOTOR 0 - 9

NOTE:
CAN & FOOD MODULE
MODLES USE ONLY
J60, J115, J116 & J117
FOR A, B, & C TRAYS



TRAY	MOTOR CONNECTIONS
4-MOTOR	0, 2, 4, & 6
5-MOTOR	0, 2, 4, 6, & 8
8-MOTOR	0, 1, 2, 3, 4, 5, 6, & 7
10-MOTOR	0, 1, 2, 3, 4, 5, 6, 7, 8, & 9

H 4 H 3 H 2 H 1 H 0