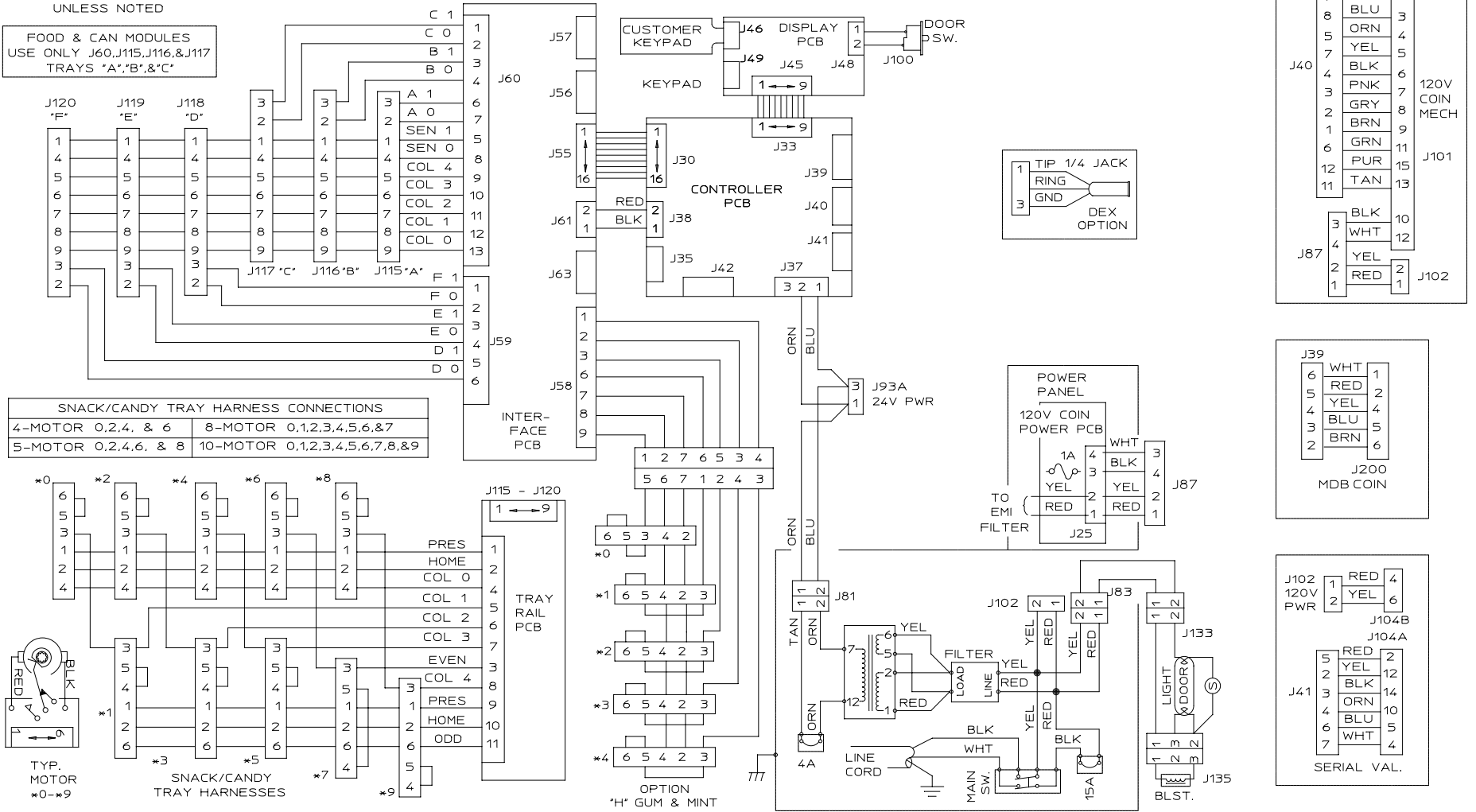


PART NO. <b>WD159010</b>		PART NAME <b>WD - GPL - 115V</b>		DATE <b>03/06/01</b>		REVISION				
MATERIAL -----		FINISH -----		DRAWN BY <b>D.N.</b>		LTR	DESCRIPTION	ECO NO.	DATE	APPROVED BY
						A	PROJ. #4053 TOOL REL. #4	----	1/5/00	xxx
<b>CRANE NATIONAL VENDORS</b> ® ST. LOUIS, MO 63044-1200		UNLESS OTHERWISE SPECIFIED DIMENSIONS ARE IN INCHES TOLERANCES O 2 PLACE DECIMAL * .02 UNLESS OTHERWISE SPECIFIED O 3 PLACE DECIMAL * .005 OTHERWISE ANGLES * 1/2° EXCEPT FORMED ANGLES * 1° SPECIFIED O CONCENTRICITY TIR .010 -CAD DRAWING DO NOT REVISE MANUALLY-		SCALE <b>NONE</b>		CHECKED BY <b>XXX</b>		APPROVED BY <b>XXX</b>		

FILE NAME: WD159010MI

\* WIRE COLOR IS BLACK UNLESS NOTED

FOOD & CAN MODULES USE ONLY J60, J115, J116, & J117 TRAYS \*A\*, \*B\*, & \*C\*



SNACK/CANDY TRAY HARNESS CONNECTIONS

4-MOTOR 0,2,4, & 6	8-MOTOR 0,1,2,3,4,5,6,&7
5-MOTOR 0,2,4,6, & 8	10-MOTOR 0,1,2,3,4,5,6,7,8,&9

