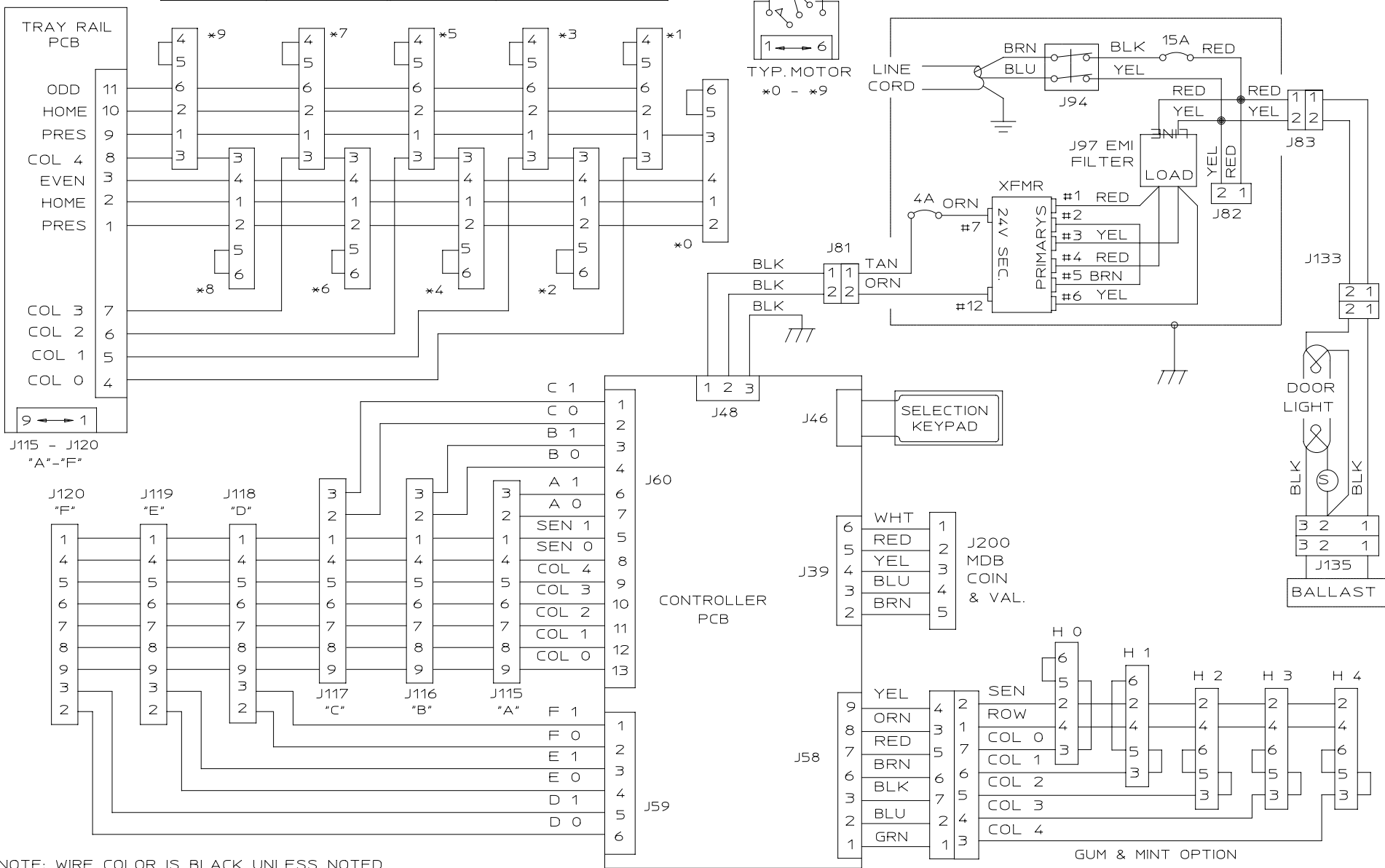


PART NO. WD170001	PART NAME W.D.- 170/171 SNACK - 230V
----------------------	---

TRAY HARNESS MOTOR CONNECTIONS			
4-MOTOR	0,2,4, & 6	8-MOTOR	0,1,2,3,4,5,6,&7
5-MOTOR	0,2,4,6, & 8	10-MOTOR	0,1,2,3,4,5,6,7,8,&9



NOTE: WIRE COLOR IS BLACK UNLESS NOTED