

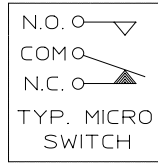
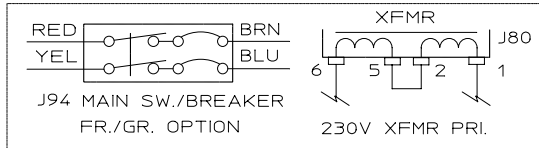
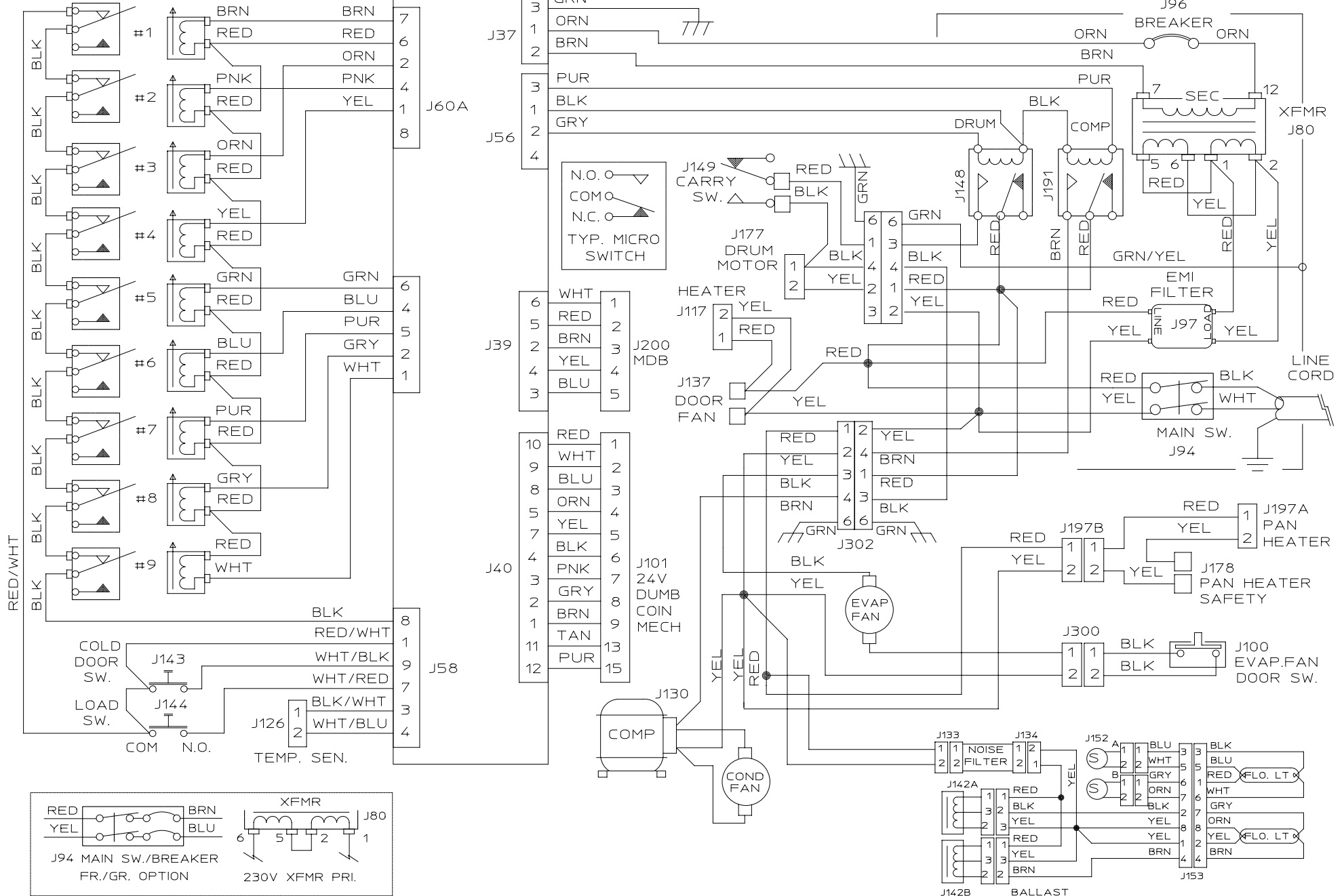
WD429001

W.D.- 429 - 115V / 230V

CAD FILE:
WD429001.MI

LTR	REVISION & DESCRIPTION	ECO NO.	DATE	DRW BY:	APP. BY:
A				D.N.	

VEND DOORS (CLOSED & LOCKED)



J142B BALLAST