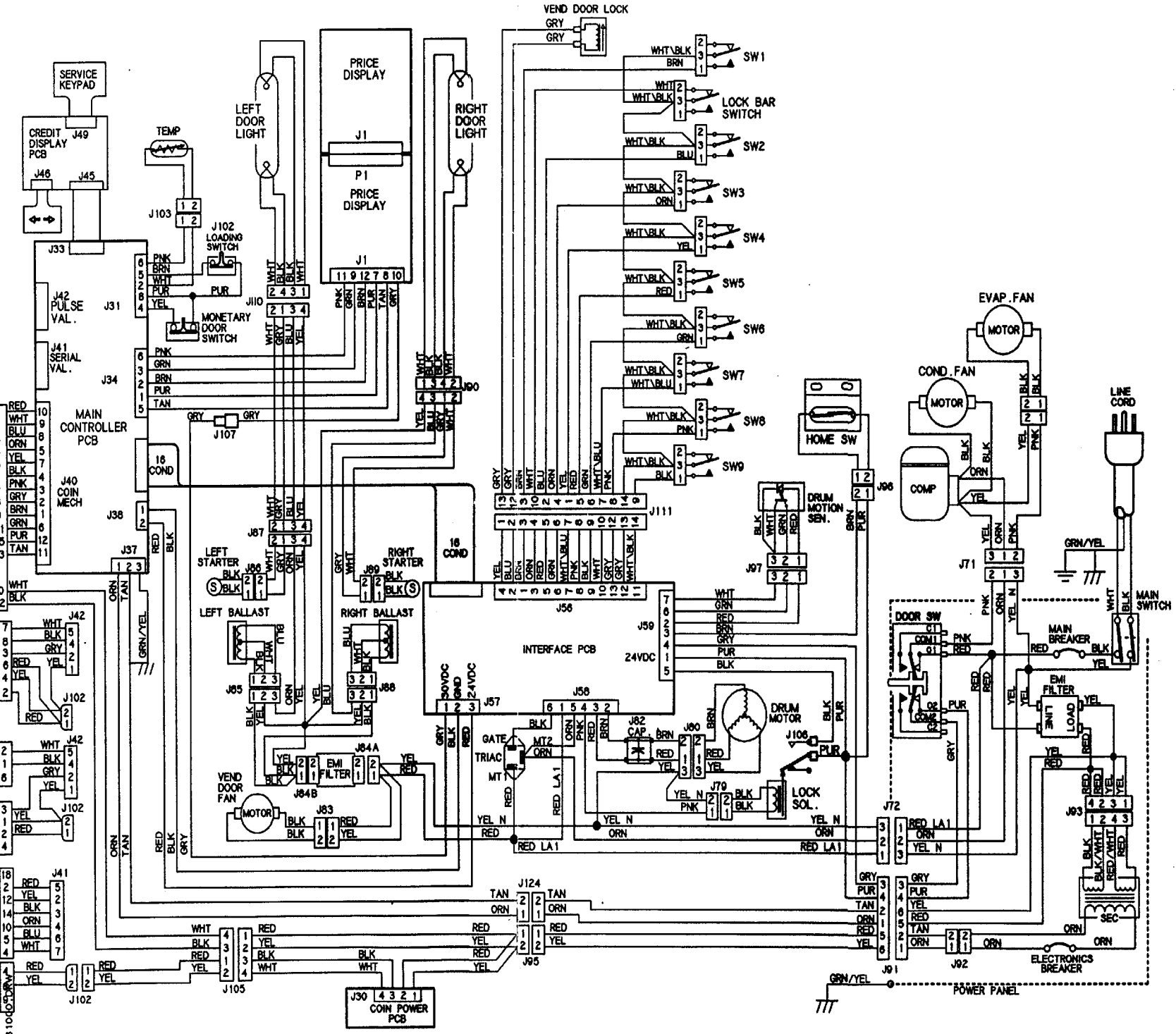


**PART NO.** WD431000  
**PART NAME** W.D. - SHOPPER - 115V - DOM.  
**MATERIAL**  
**CRANE NATIONAL VENDORS**  
 ST. LOUIS, MO 63044-1200  
**FILE NAME:** WD431000.DRW

**DATE** 01-31-96  
**DRAWN BY** J.S.  
**CHECKED BY**  
**APPROVED BY**  
**SCALE** NONE  
**TOLERANCES**  
 UNLESS OTHERWISE SPECIFIED  
 DIMENSIONS ARE IN INCHES  
 DECIMALS TO 3 PLACES  
 ANGLES TO 1/2 DEGREE  
 DIMENSIONS TO 1/16 INCHES  
**-CAD DRAWING DO NOT REVISE MANUALLY-**

REVISION	DESCRIPTION	DATE	APPROVED BY
1	REVISED TO REL. 199	2.29.96	KLS



D  
 C  
 B  
 A

4

ORIGINAL

3

↓

2

1

4

2

↑

2

1