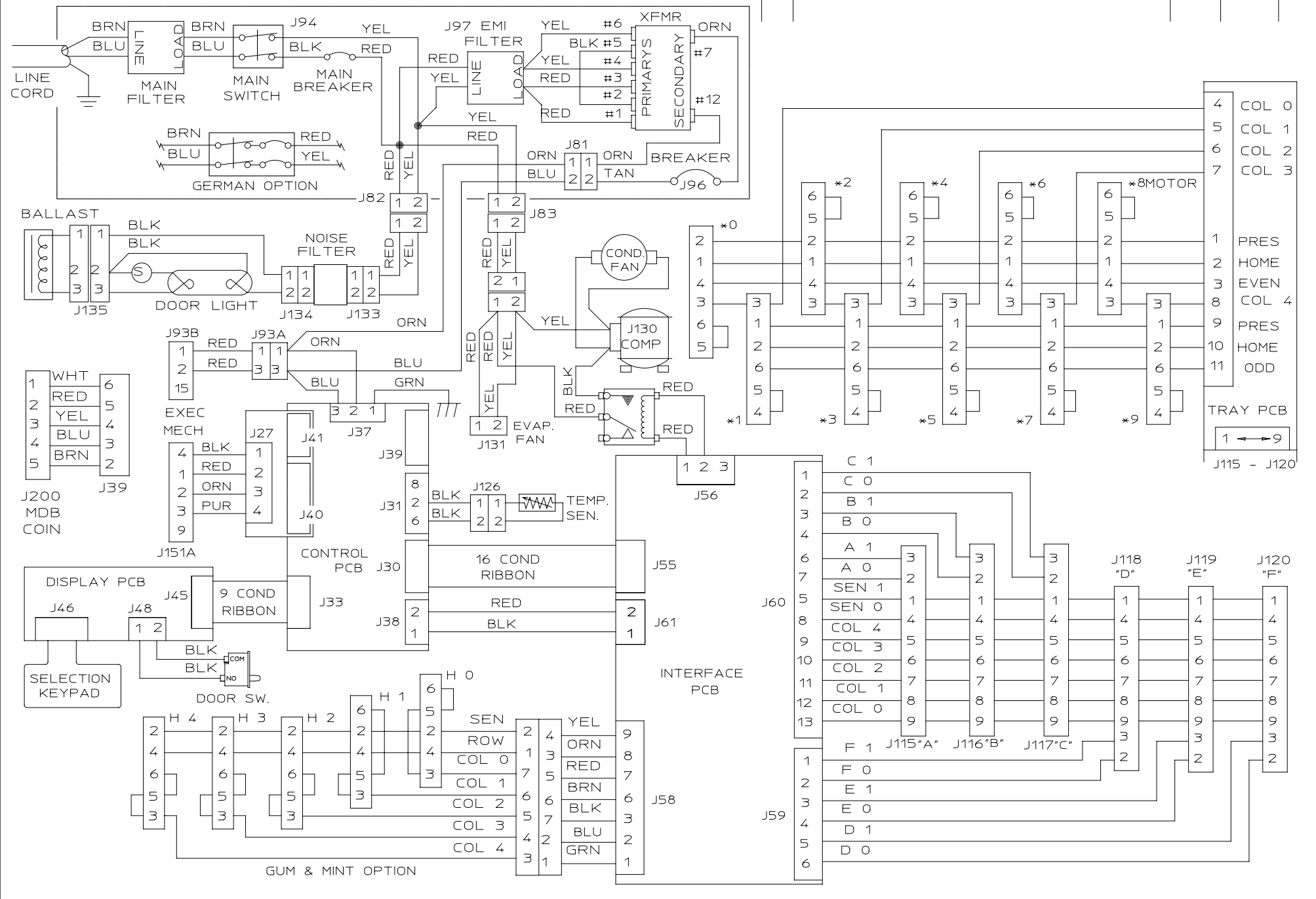


WD452000 WIRE DIAGRAM - 452 & 453

FILE: WD452000.mi  
 DATE: 10-09-97  
 DRW BY: J.S.  
 APP.:

LTR	REVISION DESCRIPTION	ECO	DATE	APP.



4	COL 0
5	COL 1
6	COL 2
7	COL 3
1	PRES HOME EVEN
2	COL 4
3	COL 4
8	COL 4
9	PRES HOME ODD
10	HOME ODD
11	HOME ODD
TRAY PCB	
1 ← 9	
J115 - J120	

1	C 1			
2	C 0			
3	B 1			
4	B 0			
6	A 1	3	3	3
7	A 0	2	2	2
5	SEN 1	1	1	1
8	SEN 0	4	4	4
9	COL 4	5	5	5
10	COL 3	6	6	6
11	COL 2	7	7	7
12	COL 1	8	8	8
13	COL 0	9	9	9
F 1 J115"A" J116"B" J117"C"				
1	F 0	3	3	3
2	E 1	2	2	2
3	E 0			
4	D 1			
5	D 0			
6				